



HOSHIZAKI

Parts List

Self-Contained Cubelet

Models

C-80BAJ

C-80BAJ-DS

C-80BAJ-AD

C-80BAJ-ADDS



CONTENTS

| | |
|---------------------------------|----|
| Auxiliary Codes..... | 3 |
| Note About Ordering Parts | 3 |
| A. Main Assembly | 4 |
| B. Refrigeration Circuit..... | 6 |
| C. Icemaking Unit | 7 |
| D. Water Circuit | 9 |
| E. Control Box Assembly..... | 11 |
| F. Door Assembly | 12 |
| C-80BAJ, C-80BAJ-AD..... | 12 |
| C-80BAJ-DS, C-80BAJ-ADDS | 13 |
| G. Accessories & Labels..... | 14 |

Auxiliary Codes

C-80BAJ

G-0 November 2017
H-0 January 2018
H-1 May 2018
H-2 June 2018
H-3 September 2018
J-0 January 2019
K-0 January 2020
K-1 September 2020

C-80BAJ-AD

G-0 December 2017
H-0 January 2018
H-1 May 2018
H-2 June 2018
H-3 September 2018
J-0 January 2019
K-0 January 2020
K-1 September 2020

C-80BAJ-DS

G-0 December 2017
H-0 January 2018
H-1 May 2018
H-2 June 2018
H-3 September 2018
J-0 January 2019
K-0 January 2020
K-1 September 2020

C-80BAJ-ADDS

H-0 January 2018
H-1 May 2018
H-2 June 2018
H-3 September 2018
J-0 January 2019
K-0 January 2020
K-1 September 2020

Auxiliary Code Breakdown

The auxiliary code is the first two characters in the serial number. The first character indicates the year. Years progress or regress in alphabetical order. The series runs from "A" through "V" and the letters "I" and "O" are skipped. The second character indicates significant part changes within a year. Base is "0" and this number advances for each change. In cases where there is a letter in parentheses, this designates the month. This is the last character in the serial number. The series runs from "(A)" through "(M)" and the letter "(I)" is skipped. This designation is only included when identifying a parts change within an auxiliary code.

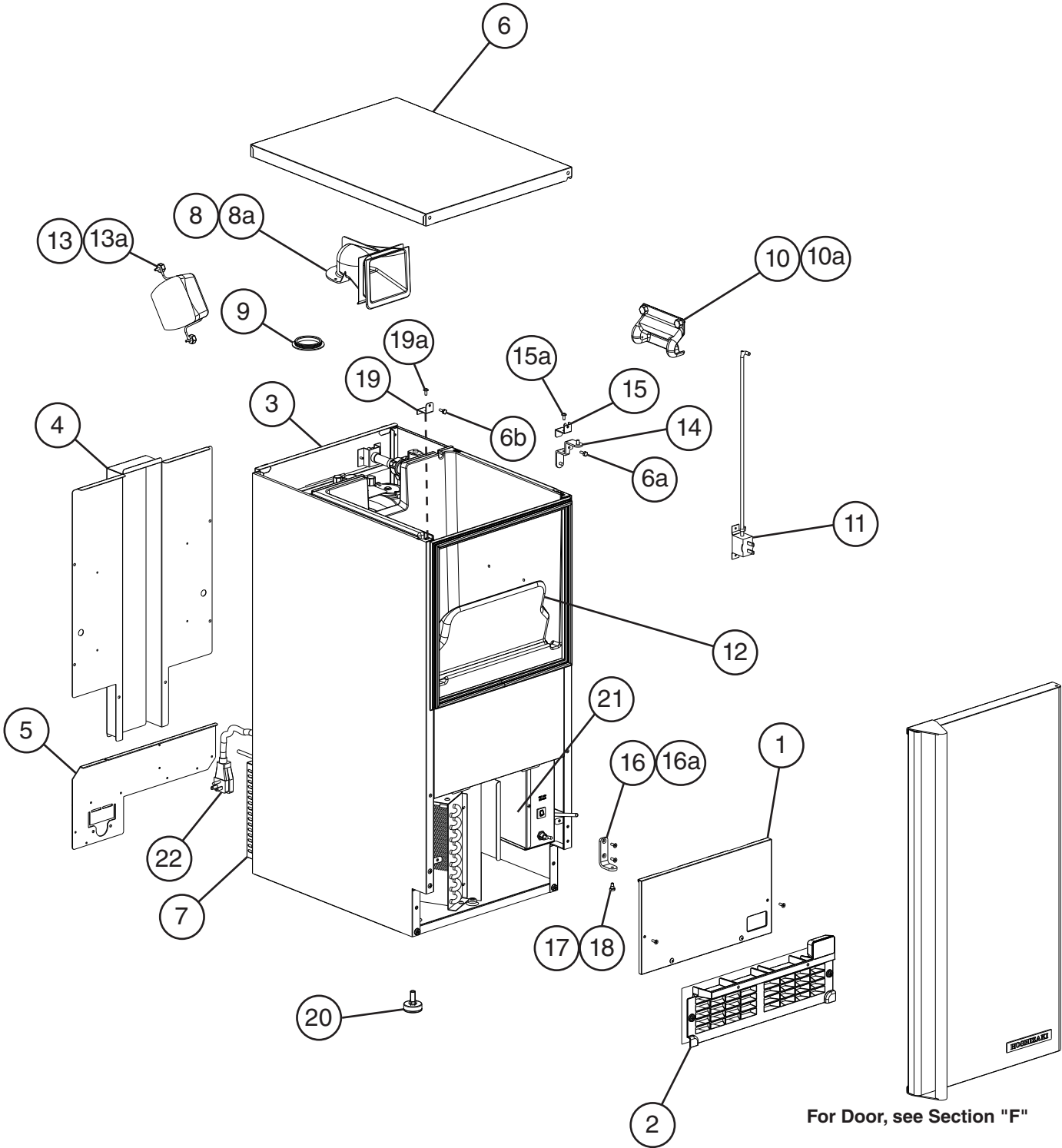
Note About Ordering Parts

Most assemblies cannot be ordered as complete units; parts in the assemblies generally must be ordered separately.

A. Main Assembly

C-80BAJ, C-80BAJ-DS, C-80BAJ-AD, C-80BAJ-ADDS

G-0 to K-1

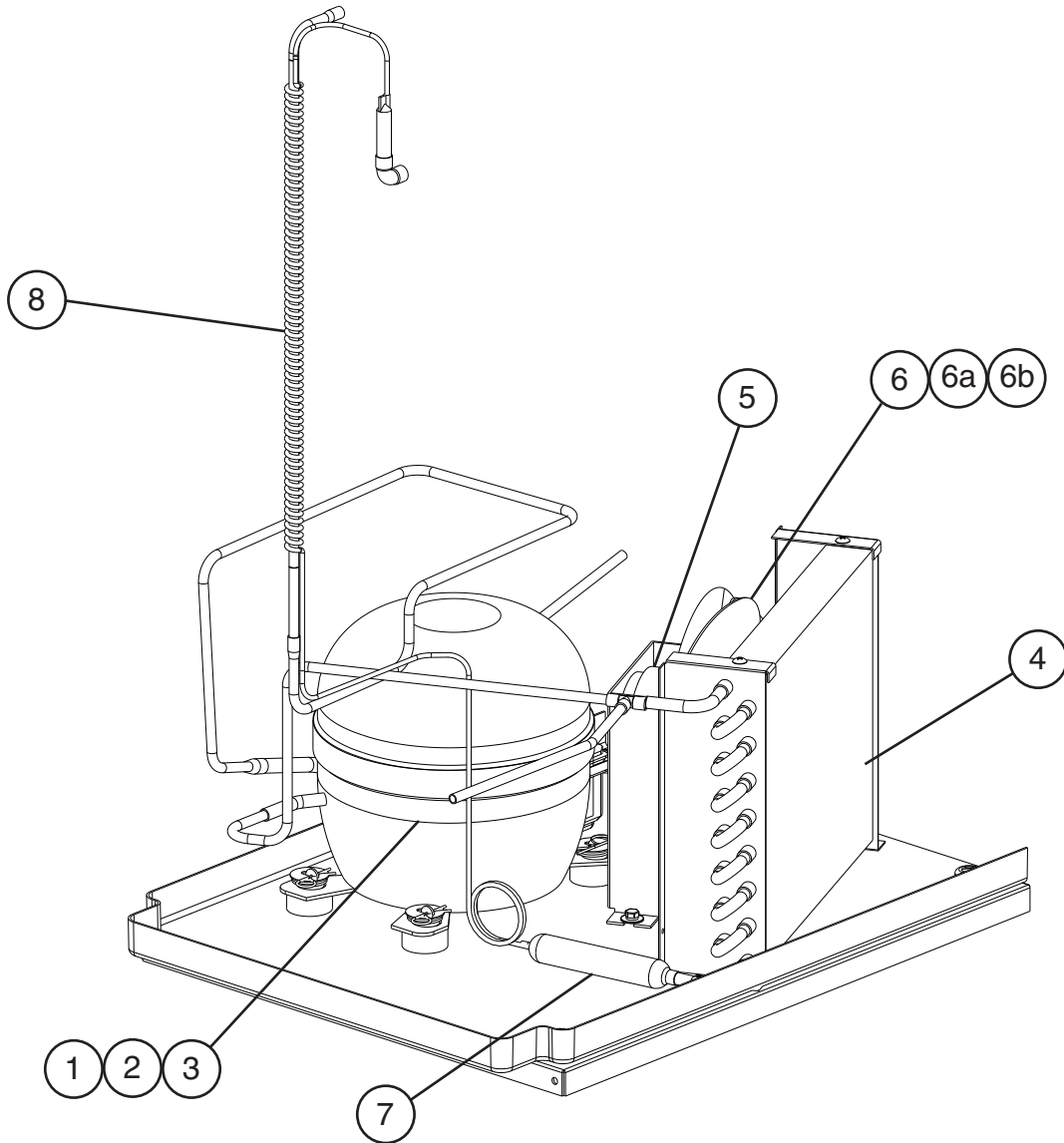


| Title: A. Main Assembly Model: C-80BAJ, C-80BAJ-DS, C-80BAJ-AD, C-80BAJ-ADDS | | | | | | | | | | | |
|--|--------------------------------------|--|--|-----------------|---------|---------|---|--|--|--|--|
| Index No. | Description | Material or Model Number | Part Number | Required Number | | | | | | | |
| | | | | G-0 to H-0 | H-1 H-2 | H-3 K-1 | | | | | |
| Main Assembly | | | | | | | | | | | |
| 1 | Front Panel | C-80BAJ | 3X6433-01 | 1 | 1 | - | | | | | |
| | | | 2A8926-01 | | | 1 | | | | | |
| | | C-80BAJ-DS | 3X6433-01 | 1 | - | | | | | | |
| | | | 2A8926-01 | | 1 | 1 | | | | | |
| | | C-80BAJ-AD C-80BAJ-ADDS | 3X6433-02 | 1 | 1 | - | | | | | |
| 2A8926-02 | | | | | 1 | | | | | | |
| 2 | Louwer | | 2H5560-01 | 1 | 1 | 1 | | | | | |
| 3 | Upper Rear Panel | | 3A6654-01 | 1 | 1 | 1 | | | | | |
| 4 | Upper Middle Rear Panel | | 2A6047-01 | 1 | 1 | 1 | | | | | |
| 5 | Lower Middle Rear Panel | | 3A6271-01 | 1 | 1 | 1 | | | | | |
| 6 | Top Panel | | 2A2849G01 | 1 | 1 | 1 | | | | | |
| 6a | Flat Head Screw | | 7C22-0412 | 1 | 1 | 1 | | | | | |
| 6b | T2 Screw | | 7P32-0408 | 1 | 1 | 1 | | | | | |
| 7 | Lower Louwer Rear Panel | C-80BAJ C-80BAJ-DS | 2A6345-01 | 1 | 1 | 1 | | | | | |
| | | | C-80BAJ-AD C-80BAJ-ADDS | 2A5915-01 | 1 | 1 | 1 | | | | |
| | | | | | | | | | | | |
| 8 | Spout | | 2A6636-01 | 1 | 1 | 1 | | | | | |
| 8a | Thumbscrew | | 415949G12 | 3 | 3 | 3 | | | | | |
| 9 | Packing | | 427151-01 | 1 | 1 | 1 | | | | | |
| 10 | Thermostatic Bin Control Bulb Holder | | 3X6381-01 | 1 | 1 | 1 | | | | | |
| 10a | Thumbscrew | | 415949G10 | 2 | 2 | 2 | | | | | |
| 11 | Thermostatic Bin Control | | 3A2561A03 | 1 | 1 | 1 | | | | | |
| 12 | Slope | | 3X6383-01 | 1 | 1 | 1 | | | | | |
| 13 | Scoop Holder | | 4Y0213-01 | 1 | 1 | 1 | | | | | |
| 13a | Thumbscrew | | 415949G10 | 2 | 2 | 2 | | | | | |
| 14 | Upper Right Hinge A | C-80BAJ C-80BAJ-AD | 4Y0194G01 | 1 | 1 | 1 | | | | | |
| | | | C-80BAJ-DS C-80BAJ-ADDS | 4A4885G01 | 1 | 1 | 1 | | | | |
| | | | | | | | | | | | |
| 15 | Upper Right Hinge A Bracket | | 4A2996-01 | 1 | 1 | 1 | | | | | |
| 15a | Truss Head Screw | | 7C32-0410 | 1 | 1 | 1 | | | | | |
| 16 | Lower Right Hinge B | C-80BAJ C-80BAJ-AD | 4Y0192-01 | 1 | 1 | 1 | | | | | |
| | | | C-80BAJ-DS C-80BAJ-ADDS | 4A3980-01 | 1 | 1 | 1 | | | | |
| | | | | | | | | | | | |
| 16a | Flat Head Screw | 4x12, SS | 7C22-0412 | 2 | 2 | 2 | | | | | |
| 17 | Hinge Stop Pin | | 4A2180-01 | 1 | 1 | 1 | | | | | |
| 18 | Tooth Washer | M6, SS | 7R22-0600 | 1 | 1 | 1 | | | | | |
| 19 | Upper Left Hinge Brace | | 4Y0193-01 | 1 | 1 | 1 | | | | | |
| 19a | Truss Head Screw | | 7C32-0410 | 1 | 1 | 1 | | | | | |
| 20 | Leg | | 4A2966-01 | 4 | 4 | 4 | | | | | |
| 21 | Control Box Cover | C-80BAJ C-80BAJ-DS | 4A6233-01 | 1 | 1 | 1 | | | | | |
| | | | C-80BAJ-AD C-80BAJ-ADDS | 4A6235-01 | 1 | 1 | 1 | | | | |
| | | | | | | | | | | | |
| 22 | Power Supply Cord | | 4A2860-01 | 1 | 1 | 1 | | | | | |

B. Refrigeration Circuit

C-80BAJ, C-80BAJ-DS, C-80BAJ-AD, C-80BAJ-ADDS

G-0 to K-1

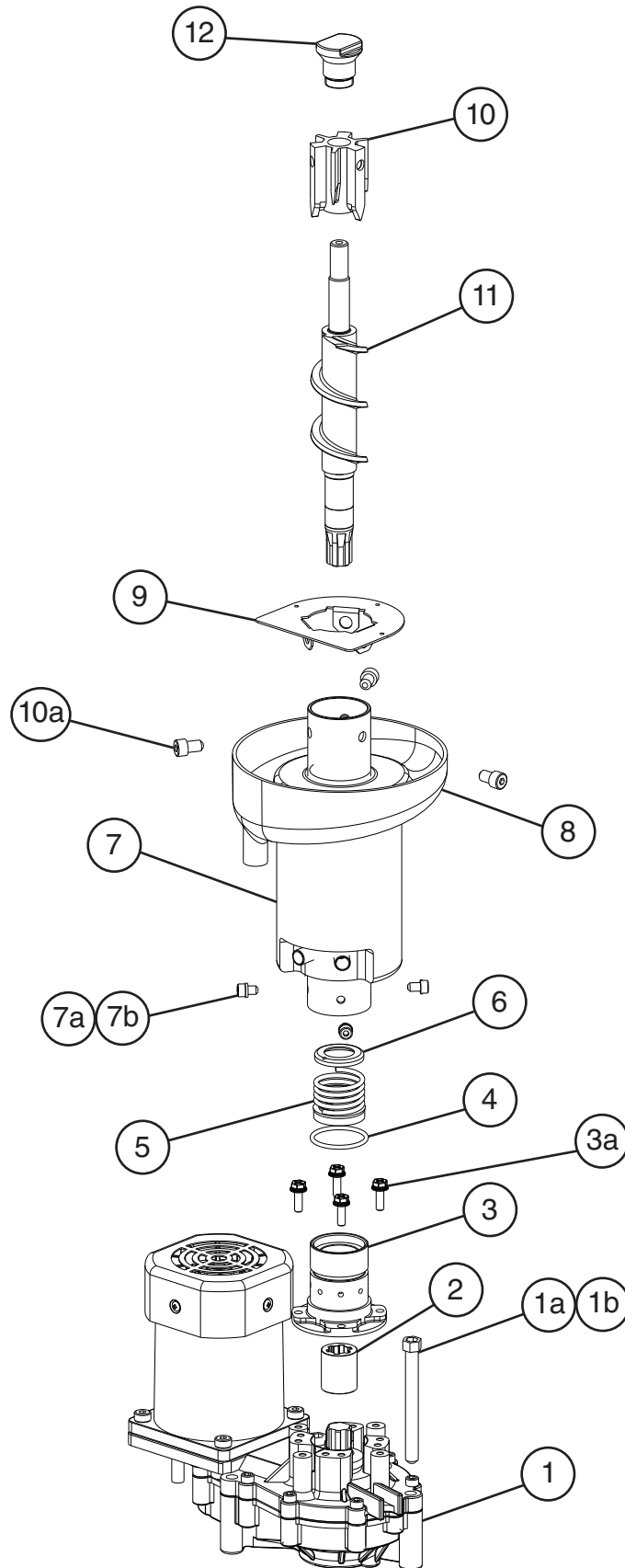


| Title: B. Refrigeration Circuit Model: C-80BAJ, C-80BAJ-DS, C-80BAJ-AD, C-80BAJ-ADDS | | | | | Required Number | | | | | | | | |
|---|-------------------------------|--------------------------|-------------|------------|-----------------|--|--|--|--|--|--|--|--|
| Index No. | Description | Material or Model Number | Part Number | G-0 to K-1 | | | | | | | | | |
| 1 | Compressor | | 455942-01 | 1 | | | | | | | | | |
| 2 | PTC Relay | | 456252-01 | 1 | | | | | | | | | |
| 3 | Compressor External Protector | | 456254-01 | 1 | | | | | | | | | |
| 4 | Condenser | | 2H5586-01 | 1 | | | | | | | | | |
| 5 | Fan Motor | | 440916-01 | 1 | | | | | | | | | |
| 6 | Fan Blade | | 3A4467-01 | 1 | | | | | | | | | |
| 6a | Washer | | 435983-01 | 1 | | | | | | | | | |
| 6b | Hex Nut | | 4A1345-01 | 1 | | | | | | | | | |
| 7 | Drier | | 445655-04 | 1 | | | | | | | | | |
| 8 | Heat Exchanger | | 3A5876G01 | 1 | | | | | | | | | |

C. Icemaking Unit

C-80BAJ, C-80BAJ-DS, C-80BAJ-AD, C-80BAJ-ADDS

G-0 to K-1

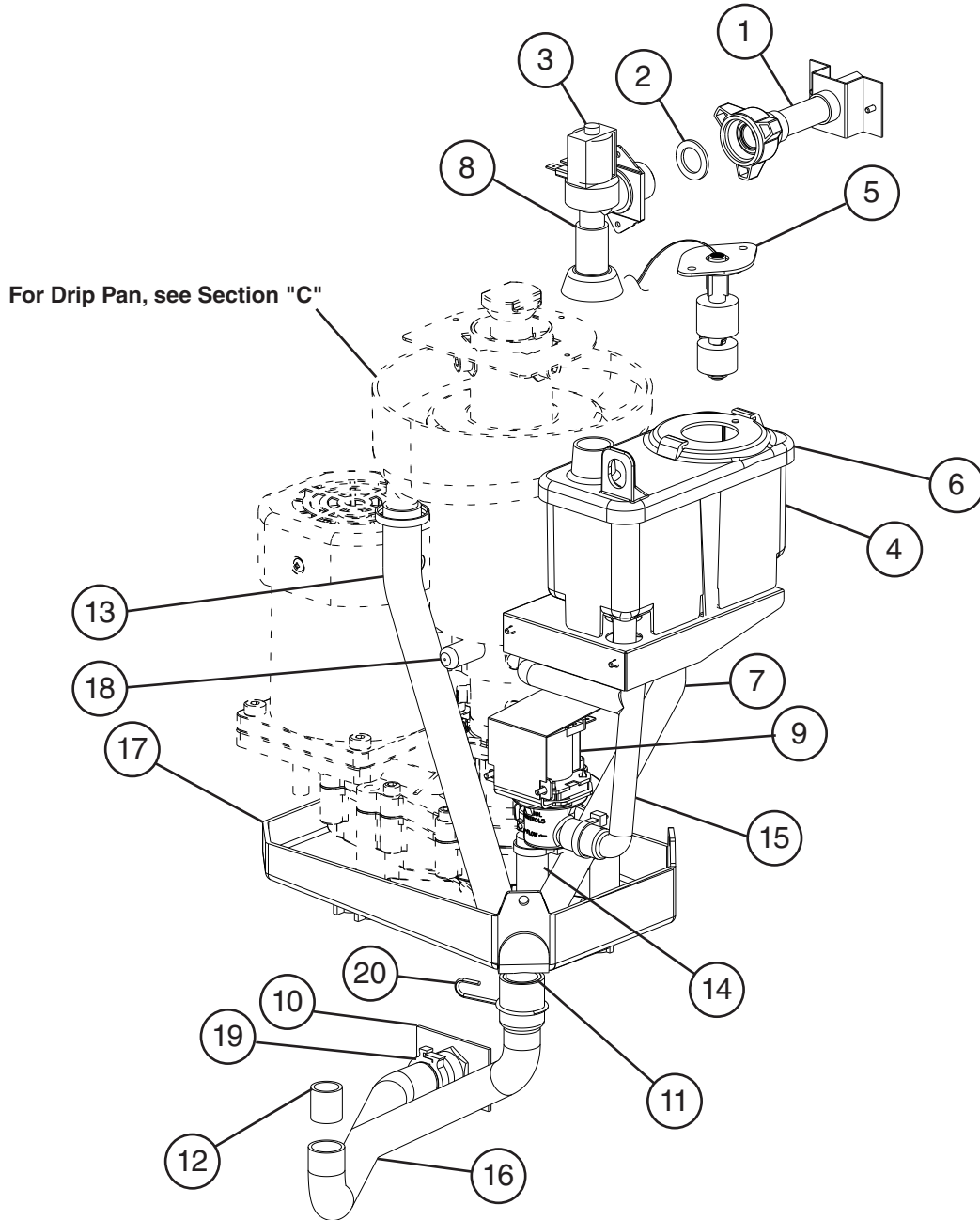


| Title: C. Icemaking Unit Model: C-80BAJ, C-80BAJ-DS, C-80BAJ-AD, C-80BAJ-ADDS | | | | | | | | | | | | |
|---|-----------------------|------------------------------------|------------------------------|-----------------|---------|------------|--|--|--|--|--|--|
| Index No. | Description | Material or Model Number | Part Number | Required Number | | | | | | | | |
| | | | | G-0 to H-0 (D) | H-0 (E) | H-1 to K-1 | | | | | | |
| 1 | Gear Motor | C-80BAJ C-80BAJ-AD | 2U0147-01 (SA0103) | 1 | - | | | | | | | |
| | | | 4A5855-01 | | 1 | 1 | | | | | | |
| | | C-80BAJ-DS C-80BAJ-ADDS | 2U0147-01 (SA0103) | 1 | 1 | - | | | | | | |
| | | | 4A5855-01 | | | 1 | | | | | | |
| 1a | Socket Head Cap Screw | 8x95, SS | 7S12-0895 | 2 | 2 | 2 | | | | | | |
| 1b | Split Lock Washer | M8, SS | 7L22-0800 | 2 | 2 | 2 | | | | | | |
| 2 | Spline Coupling | | 418316-01 | 1 | 1 | 1 | | | | | | |
| 3 | Housing | | 383613G01 | 1 | 1 | 1 | | | | | | |
| 3a | Hex Head Bolt | 6x20, SS | 4A1989-01 | 4 | 4 | 4 | | | | | | |
| 4 | O-Ring | | 4A4755-01 | 1 | 1 | 1 | | | | | | |
| 5 | Mechanical Seal | | 432491-01 | 1 | 1 | 1 | | | | | | |
| 6 | Ring | | 432494-01 | 1 | 1 | 1 | | | | | | |
| 7 | Evaporator | | 364138G01 | 1 | 1 | 1 | | | | | | |
| 7a | Split Lock Washer | M6, SS | 7L22-0600 | 4 | 4 | 4 | | | | | | |
| 7b | Socket Head Cap Screw | 6x10, SS | 7S12-0610 | 4 | 4 | 4 | | | | | | |
| 8 | Drip Pan | | 2A4118-01 | 1 | 1 | 1 | | | | | | |
| 9 | Evaporator Flange | | 4A5075-01 | 1 | 1 | 1 | | | | | | |
| 10 | Extruding Head | | 364141G03 | 1 | 1 | 1 | | | | | | |
| 10a | Seal Bolt | M8, SS | P01768-02 | 3 | 3 | 3 | | | | | | |
| 11 | Auger | | 269911G01 | 1 | 1 | 1 | | | | | | |
| 12 | Cutter | | 4A5505-01 | 1 | 1 | 1 | | | | | | |

D. Water Circuit

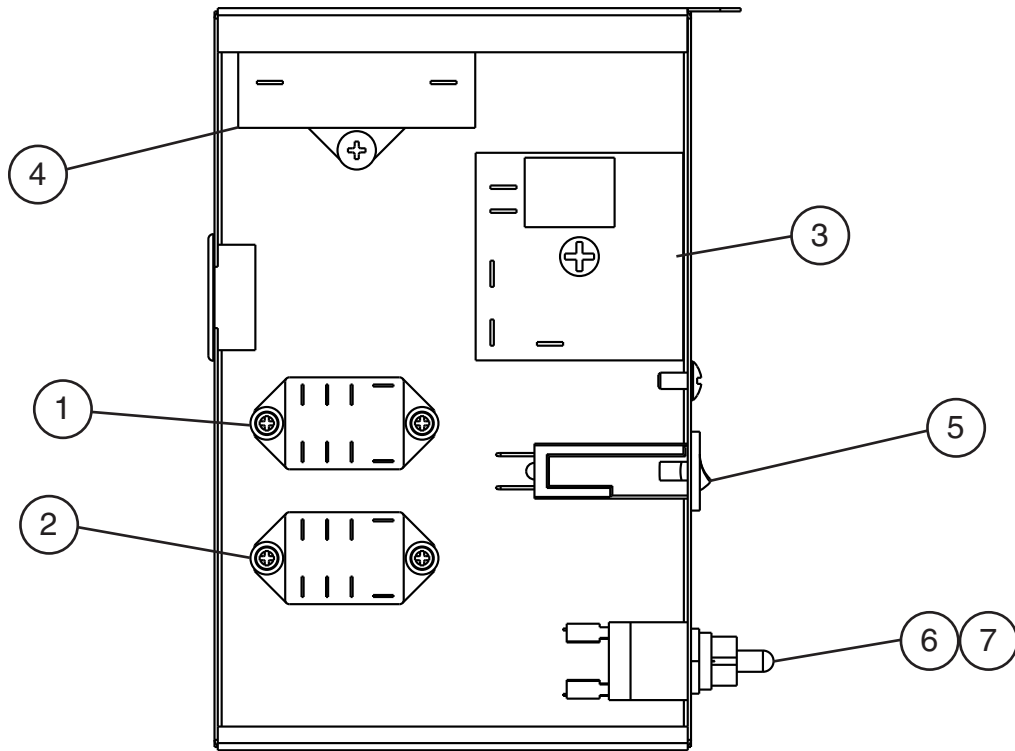
C-80BAJ, C-80BAJ-DS, C-80BAJ-AD, C-80BAJ-ADDS

G-0 to K-1



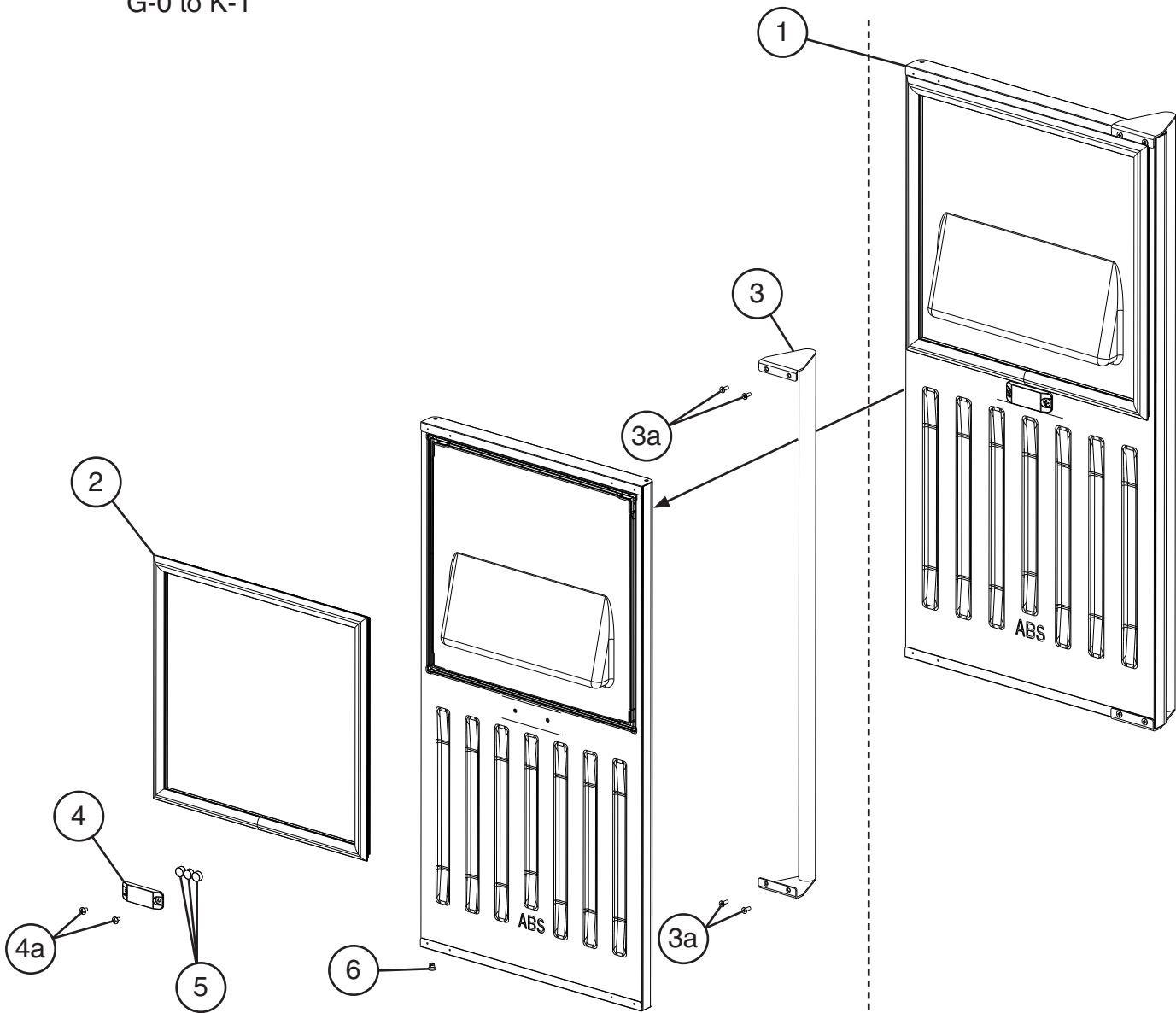
| Title: D. Water Circuit Model: C-80BAJ, C-80BAJ-DS, C-80BAJ-AD, C-80BAJ-ADDS | | | | | | | | | | | |
|--|------------------------|--------------------------|-------------|-----------------|-----|--|--|--|--|--|--|
| Index No. | Description | Material or Model Number | Part Number | Required Number | | | | | | | |
| | | | | G-0 to K-0 | K-1 | | | | | | |
| 1 | Water Supply Pipe | | 4A5216G05 | 1 | 1 | | | | | | |
| 2 | Rubber Gasket | | 413854-03 | 1 | 1 | | | | | | |
| 3 | Inlet Water Valve | SP-5565 | 4A5251-05 | 1 | - | | | | | | |
| | | | 4A6722-02 | | 1 | | | | | | |
| 4 | Reservoir | | 2A6586-01 | 1 | 1 | | | | | | |
| 5 | Float Switch | | 435490-01 | 1 | 1 | | | | | | |
| 6 | Reservoir Cover | | 3A6698-01 | 1 | 1 | | | | | | |
| 7 | Overflow Hose | L=220 mm | 7730-1216 | 1 | 1 | | | | | | |
| 8 | Reservoir Inlet Hose | | 4A5388-01 | 1 | - | | | | | | |
| | | | 4A0869-01 | | 1 | | | | | | |
| 9 | Drain Valve | | 4A5530-03 | 1 | 1 | | | | | | |
| 10 | Drain Fitting | | 4A3488G01 | 1 | 1 | | | | | | |
| 11 | Vinyl Hose | L=25 mm | 7725-1923 | 1 | 1 | | | | | | |
| 12 | Silicone Hose | L=20 mm | 7730-1519 | 1 | 1 | | | | | | |
| 13 | Vinyl Hose | L=280 mm | 7725-1923 | 1 | 1 | | | | | | |
| 14 | Silicone Hose | L=60 mm | 7730-1519 | 1 | 1 | | | | | | |
| 15 | Reservoir Outlet Hose | | 3A7565-01 | 1 | 1 | | | | | | |
| 16 | Drain Hose | | 3A7521-01 | 1 | 1 | | | | | | |
| 17 | Drain Pan (Gear Motor) | | 323765G01 | 1 | 1 | | | | | | |
| 18 | Vinyl Cap | | 4A4370-01 | 1 | 1 | | | | | | |
| 19 | Hose Clamp | 25 mm | 427443-03 | 1 | 1 | | | | | | |
| 20 | Hose Clamp | 27 mm | 427443-08 | 1 | 1 | | | | | | |
| 21 | Hose Clamp | 22-25 mm | 4A2017-08 | | 1 | | | | | | |

E. Control Box Assembly
C-80BAJ, C-80BAJ-DS, C-80BAJ-AD, C-80BAJ-ADDS
 G-0 to K-1



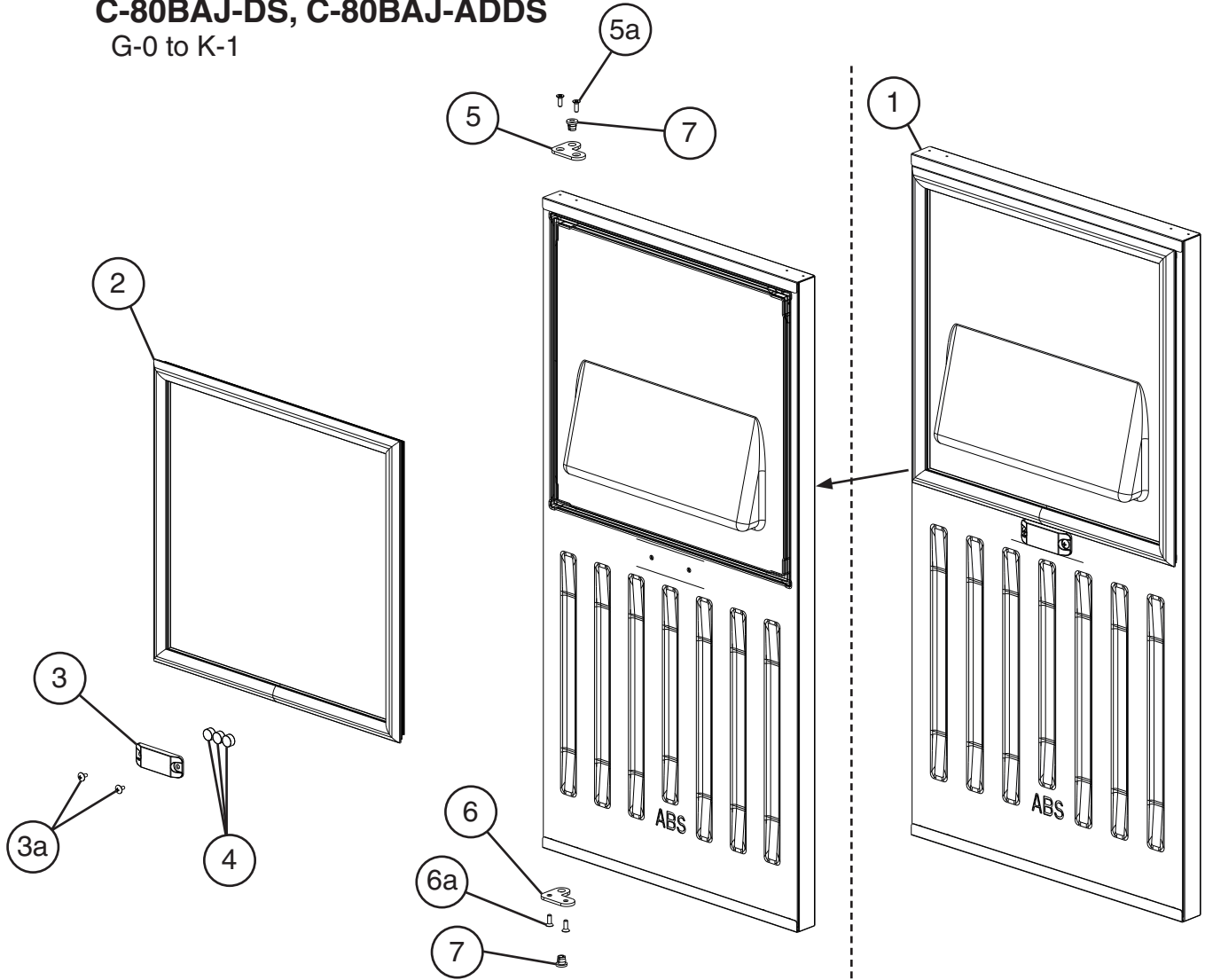
| Title: E. Control Box Assembly Model: C-80BAJ, C-80BAJ-DS, C-80BAJ-AD, C-80BAJ-ADDS | | | | | | | Required Number | | | | | | | |
|---|--|--------------------------|-------------|------------|-----|-----|-----------------|--|--|--|--|--|--|--|
| Index No. | Description | Material or Model Number | Part Number | G-0 to H-0 | | | H-2 to K-1 | | | | | | | |
| | | | | H-0 | H-1 | K-1 | | | | | | | | |
| 1 | Compressor Relay | | 418271-03 | 1 | 1 | 1 | | | | | | | | |
| 2 | Water Control Relay | | 406132-07 | 1 | 1 | 1 | | | | | | | | |
| 3 | Time Delay Relay (Gear Motor/Compressor Delay) | | 4A5389-01 | 1 | 1 | 1 | | | | | | | | |
| 4 | Gear Motor Capacitor | 10MFD, 280VAC | 416921-05 | 1 | 1 | 1 | | | | | | | | |
| 5 | Gear Motor Protector | 1.6A | 427253-01 | 1 | - | | | | | | | | | |
| | | 1.0A | 4A6087-01 | | 1 | - | | | | | | | | |
| | | 2.0A | 4A6087-02 | | | 1 | | | | | | | | |
| 6 | Control Switch | | 443119-01 | 1 | 1 | 1 | | | | | | | | |
| 7 | Cap | | 4A1937-01 | 1 | 1 | 1 | | | | | | | | |

F. Door Assembly
C-80BAJ, C-80BAJ-AD
 G-0 to K-1



| Title: F. Door Assembly Model: C-80BAJ, C-80BAJ-AD | | | | | | | | | | | | | | | |
|---|---|--------------------------|-------------|-----------------|--|--|--|--|--|--|--|--|--|--|--|
| Index No. | Description | Material or Model Number | Part Number | Required Number | | | | | | | | | | | |
| | | | | G-0 to K-1 | | | | | | | | | | | |
| 1 | Door Assembly (includes items 2 through 6) | C-80BAJ | SP-5341 | 1 | | | | | | | | | | | |
| | | C-80BAJ-AD | SP-5342 | 1 | | | | | | | | | | | |
| 2 | Gasket | | 2A3017-01 | 1 | | | | | | | | | | | |
| 3 | Handle | C-80BAJ | 4A6129-01 | 1 | | | | | | | | | | | |
| | | C-80BAJ-AD | 4A6129-02 | 1 | | | | | | | | | | | |
| 3a | Flat Head Screw | 4x12, SS | 7C22-0412 | 4 | | | | | | | | | | | |
| 4 | Magnet Holder | | 4Y0203-01 | 1 | | | | | | | | | | | |
| 4a | Truss Head Screw | | 7C32-0408 | 2 | | | | | | | | | | | |
| 5 | Magnet | | 4A4686-01 | 3 | | | | | | | | | | | |
| 6 | Bushing | | 4A6410-01 | 1 | | | | | | | | | | | |

F. Door Assembly
C-80BAJ-DS, C-80BAJ-ADDS
 G-0 to K-1

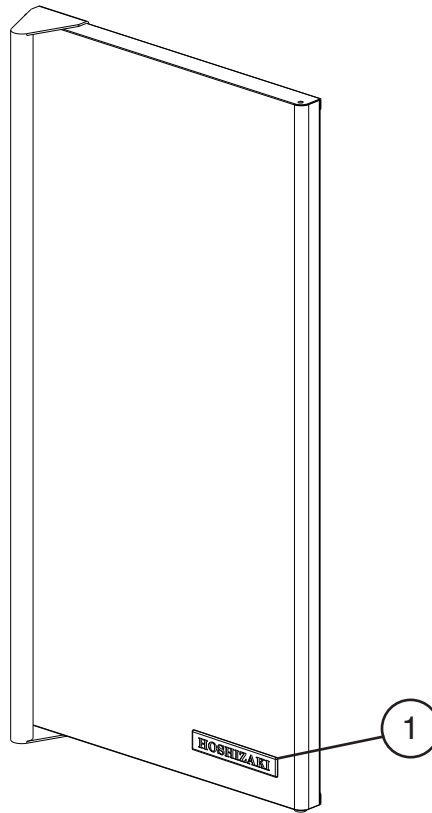


| Title: F. Door Assembly Model: C-80BAJ-DS, C-80BAJ-ADDS | | | | | Required Number | | | | | | | | | | | | |
|---|---|--------------------------|-------------|------------|-----------------|--|--|--|--|--|--|--|--|--|--|--|--|
| Index No. | Description | Material or Model Number | Part Number | G-0 to K-1 | | | | | | | | | | | | | |
| 1 | Door Assembly (includes items 2 through 5) | C-80BAJ-DS | SP-5337 | 1 | | | | | | | | | | | | | |
| | | C-80BAJ-ADDS | SP-5338 | 1 | | | | | | | | | | | | | |
| 2 | Gasket | | 2A3017-01 | 1 | | | | | | | | | | | | | |
| 3 | Magnet Holder | | 4Y0203-01 | 1 | | | | | | | | | | | | | |
| 3a | Truss Head Screw | | 7C32-0408 | 2 | | | | | | | | | | | | | |
| 4 | Magnet | | 4A4686-01 | 3 | | | | | | | | | | | | | |
| 5 | Bushing | | 4A6410-01 | 1 | | | | | | | | | | | | | |
| 6 | Hinge C Assembly (UR, LL) (includes one of item 7) | | 4A3983G01 | 1 | | | | | | | | | | | | | |
| 6a | Flat Head Screw | 4x12, SS | 7C22-0412 | 2 | | | | | | | | | | | | | |
| 7 | Hinge C Assembly (LR, UL) (includes one of item 7) | | 4A3983G02 | 1 | | | | | | | | | | | | | |
| 7a | Flat Head Screw | 4x12, SS | 7C22-0412 | 2 | | | | | | | | | | | | | |

G. Accessories & Labels

C-80BAJ, C-80BAJ-DS, C-80BAJ-AD, C-80BAJ-ADDS

G-0 to K-1



| Title: G. Accessories & Labels Model: C-80BAJ, C-80BAJ-DS, C-80BAJ-AD, C-80BAJ-ADDS | | | | | | | | | | |
|--|----------------------|--|-------------|-----------------|--|--|--|--|--|--|
| Index No. | Description | Material or Model Number | Part Number | Required Number | | | | | | |
| | | | | G-0 to K-1 | | | | | | |
| 1 | Hoshizaki Emblem | | 4A0560-01 | 1 | | | | | | |
| 2 | Scoop | | 204336-01 | 1 | | | | | | |
| 3 | Control Label | | 3A7575-01 | 1 | | | | | | |
| 4 | Drain Elbow | For use with optional Drain Pump Kit HS-5061 | 4A1017-01 | 1 | | | | | | |
| 5 | Canoe Clip | C-80BAJ C-80BAJ-AD | 4A5835-01 | 4 | | | | | | |
| | | C-80BAJ-DS C-80BAJ-ADDS | | 2 | | | | | | |
| 6 | L Bracket | C-80BAJ-DS C-80BAJ-ADDS | 4A3998-01 | 1 | | | | | | |
| 7 | Threaded Wood Insert | C-80BAJ-DS C-80BAJ-ADDS | 4A4004-01 | 6 | | | | | | |