



# HOSHIZAKI

---

## Parts List

### Self-Contained Cubelet

#### Models

C-80BAJ

C-80BAJ-DS

C-80BAJ-AD

C-80BAJ-ADDS



## CONTENTS

Auxiliary Codes.....	3
Note About Ordering Parts .....	3
A. Main Assembly .....	4
B. Refrigeration Circuit.....	6
C. Icemaking Unit .....	7
D. Water Circuit .....	9
E. Control Box Assembly.....	11
F. Door Assembly .....	12
C-80BAJ, C-80BAJ-AD.....	12
C-80BAJ-DS, C-80BAJ-ADDS .....	13
G. Accessories & Labels.....	14

## **Auxiliary Codes**

### **C-80BAJ**

G-0 December 2017

### **C-80BAJ-DS**

G-0 December 2017

### **C-80BAJ-AD**

G-0 December 2017

### **C-80BAJ-ADDS**

H-0 January 2018

## **Auxiliary Code Breakdown**

The auxiliary code is the first two characters in the serial number. The first character indicates the year. Years progress or regress in alphabetical order. The series runs from "A" through "V" and the letters "I" and "O" are skipped. The second character indicates significant part changes within a year. Base is "0" and this number advances for each change. In cases where there is a letter in parentheses, this designates the month. This is the last character in the serial number. The series runs from "(A)" through "(M)" and the letter "(I)" is skipped. This designation is only included when identifying a parts change within an auxiliary code.

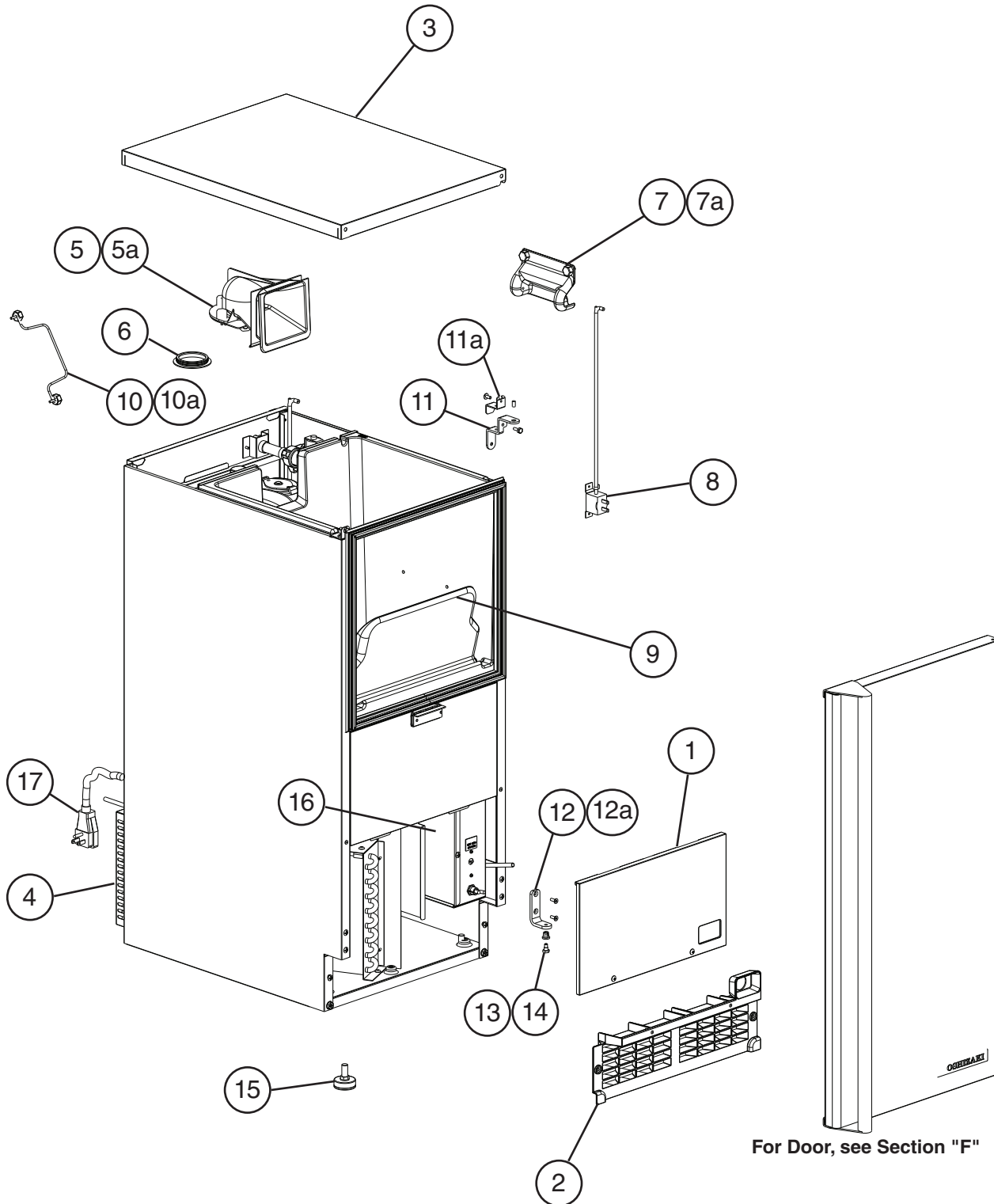
## **Note About Ordering Parts**

Most assemblies cannot be ordered as complete units; parts in the assemblies generally must be ordered separately.

# A. Main Assembly

C-80BAJ, C-80BAJ-DS, C-80BAJ-AD, C-80BAJ-ADDS

G-0, H-0

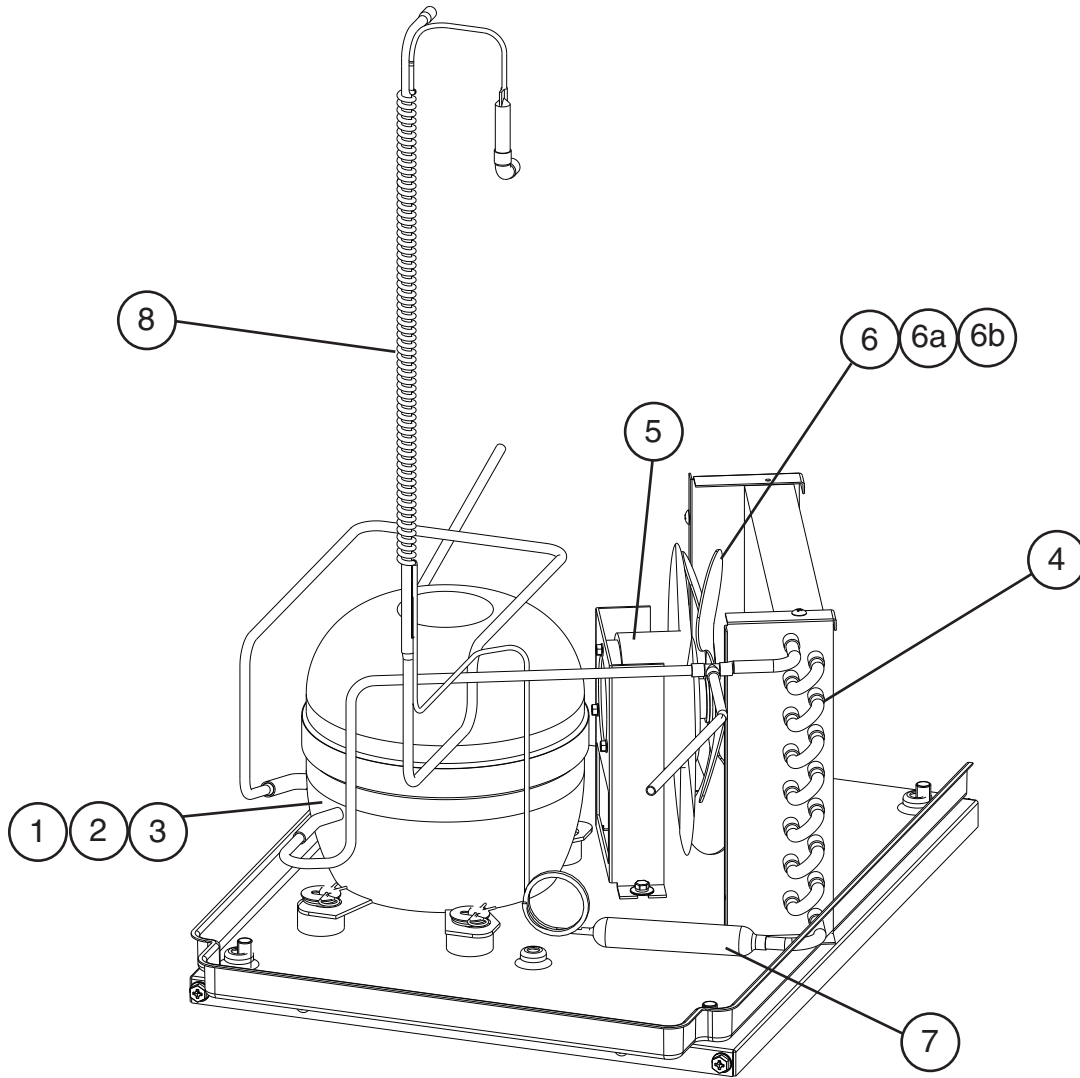


Title: A. Main Assembly Model: C-80BAJ, C-80BAJ-DS, C-80BAJ-AD, C-80BAJ-ADDS												
Index No.	Description	Material or Model Number	Part Number	Required Number								
				G-0	H-0							
<b>Main Assembly</b>												
1	Front Panel	<b>C-80BAJ</b> <b>C-80BAJ-DS</b>	3X6433-01	1								
		<b>C-80BAJ-AD</b> <b>C-80BAJ-ADDS</b>	3X6433-02	1								
2	Louwer		2H5560-01	1								
3	Top Panel		2A2849G01	1								
4	Lower Louwer Rear Panel	<b>C-80BAJ</b> <b>C-80BAJ-DS</b>	2A6345-01	1								
		<b>C-80BAJ-AD</b> <b>C-80BAJ-ADDS</b>	2A5915-01	1								
5	Spout		2A6636-01	1								
5a	Thumbscrew		415949G12	3								
6	Packing		427151-01	1								
7	Thermostatic Bin Control Bulb Holder		3X6381-01	1								
7a	Thumbscrew		415949G10	2								
8	Thermostatic Bin Control		3A2561A03	1								
9	Slope		3X6383-01	1								
10	Scoop Holder		4Y0213-01	1								
10a	Thumbscrew		415949G10	2								
11	Hinge A	<b>C-80BAJ</b> <b>C-80BAJ-AD</b>	4Y0194G01	1								
	Right Hinge A	<b>C-80BAJ-DS</b> <b>C-80BAJ-ADDS</b>	4A4885G01	1								
11a	Hinge A Bracket		4A2996-01	1								
12	Hinge B	<b>C-80BAJ</b> <b>C-80BAJ-AD</b>	4Y0192-01	1								
		<b>C-80BAJ-DS</b> <b>C-80BAJ-ADDS</b>	4A3980-01	1								
12a	Flat Head Screw	4x12, SS	7C22-0412	2								
13	Hinge Stop Pin		4A2180-01	1								
14	Tooth Washer	M6, SS	7R22-0600	1								
15	Leg		4A2966-01	4								
16	Control Box Cover	<b>C-80BAJ</b> <b>C-80BAJ-DS</b>	4A5267-01	1								
		<b>C-80BAJ-AD</b> <b>C-80BAJ-ADDS</b>	4A4498-01	1								
17	Power Supply Cord		4A2860-01	1								

## B. Refrigeration Circuit

C-80BAJ, C-80BAJ-DS, C-80BAJ-AD, C-80BAJ-ADDS

G-0,H-0

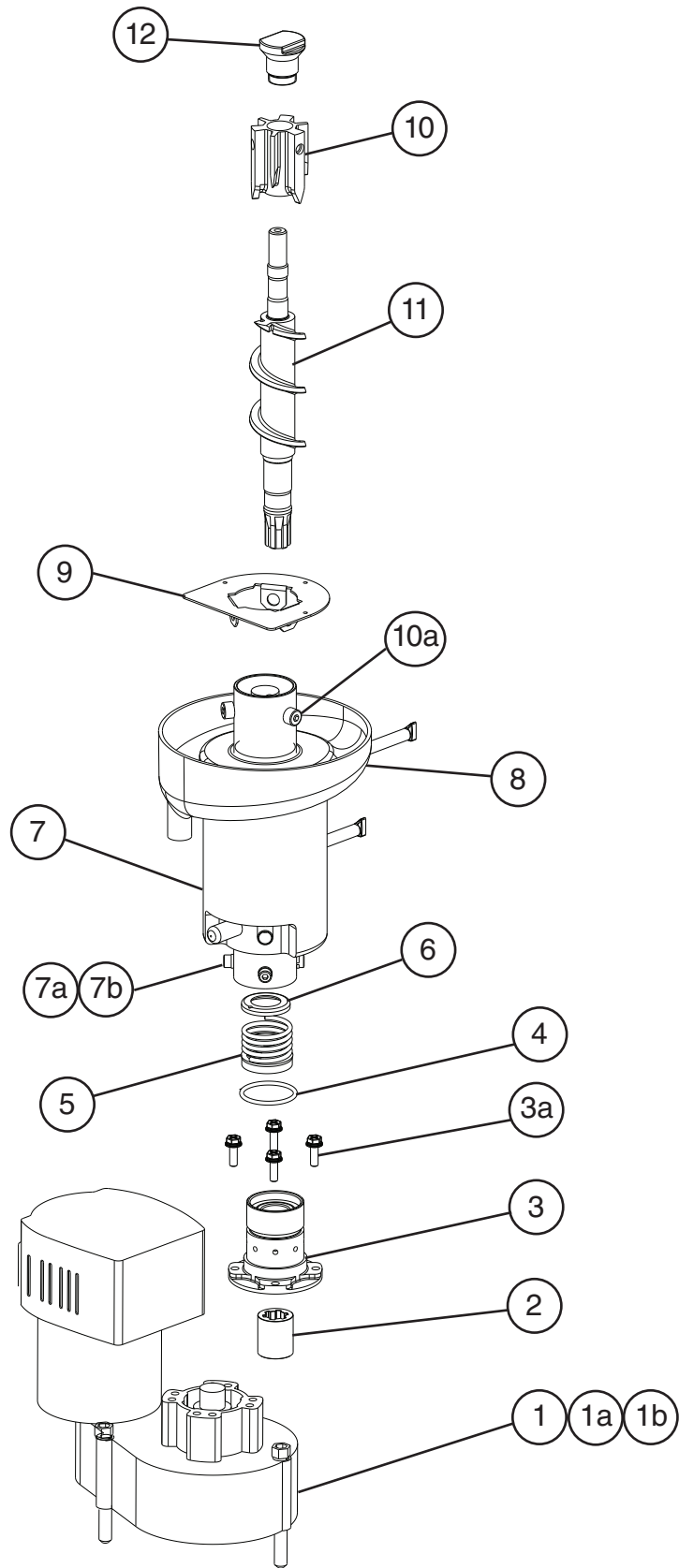


Title: B. Refrigeration Circuit Model: C-80BAJ, C-80BAJ-DS, C-80BAJ-AD, C-80BAJ-ADDS														
Index No.	Description	Material or Model Number	Part Number	Required Number										
				G-0	H-0									
1	Compressor		455942-01	1										
2	PTC Relay		456252-01	1										
3	Compressor External Protector		456254-01	1										
4	Condenser		2H5586-01	1										
5	Fan Motor		440916-01	1										
6	Fan Blade		3A4467-01	1										
6a	Washer		435983-01	1										
6b	Hex Nut		4A1345-01	1										
7	Drier		445655-04	1										
8	Heat Exchanger		3A5876G01	1										

### C. Icemaking Unit

C-80BAJ, C-80BAJ-DS, C-80BAJ-AD, C-80BAJ-ADDS

G-0, H-0



Title: C. Icemaking Unit    Model: C-80BAJ, C-80BAJ-DS, C-80BAJ-AD, C-80BAJ-ADDS												
Index No.	Description	Material or Model Number	Part Number	Required Number								
				G-0 H-0								
1	Gear Motor		2U0147-01	1								
1a	Socket Head Cap Screw	8x95, SS	7S12-0895	2								
1b	Split Lock Washer	M8, SS	7L22-0800	2								
2	Spline Coupling		418316-01	1								
3	Housing		383613G01	1								
3a	Hex Head Bolt	6x20, SS	4A1989-01	4								
4	O-Ring		4A4755-01	1								
5	Mechanical Seal		432491-01	1								
6	Ring		432494-01	1								
7	Evaporator		364138G01	1								
7a	Split Lock Washer	M6, SS	7L22-0600	4								
7b	Socket Head Cap Screw	6x10, SS	7S12-0610	4								
8	Drip Pan		2A4118-01	1								
9	Evaporator Flange		4A5075-01	1								
10	Extruding Head		364141G03	1								
10a	Seal Bolt	M8, SS	P01768-02	3								
11	Auger		269911G01	1								
12	Cutter		4A5505-01	1								

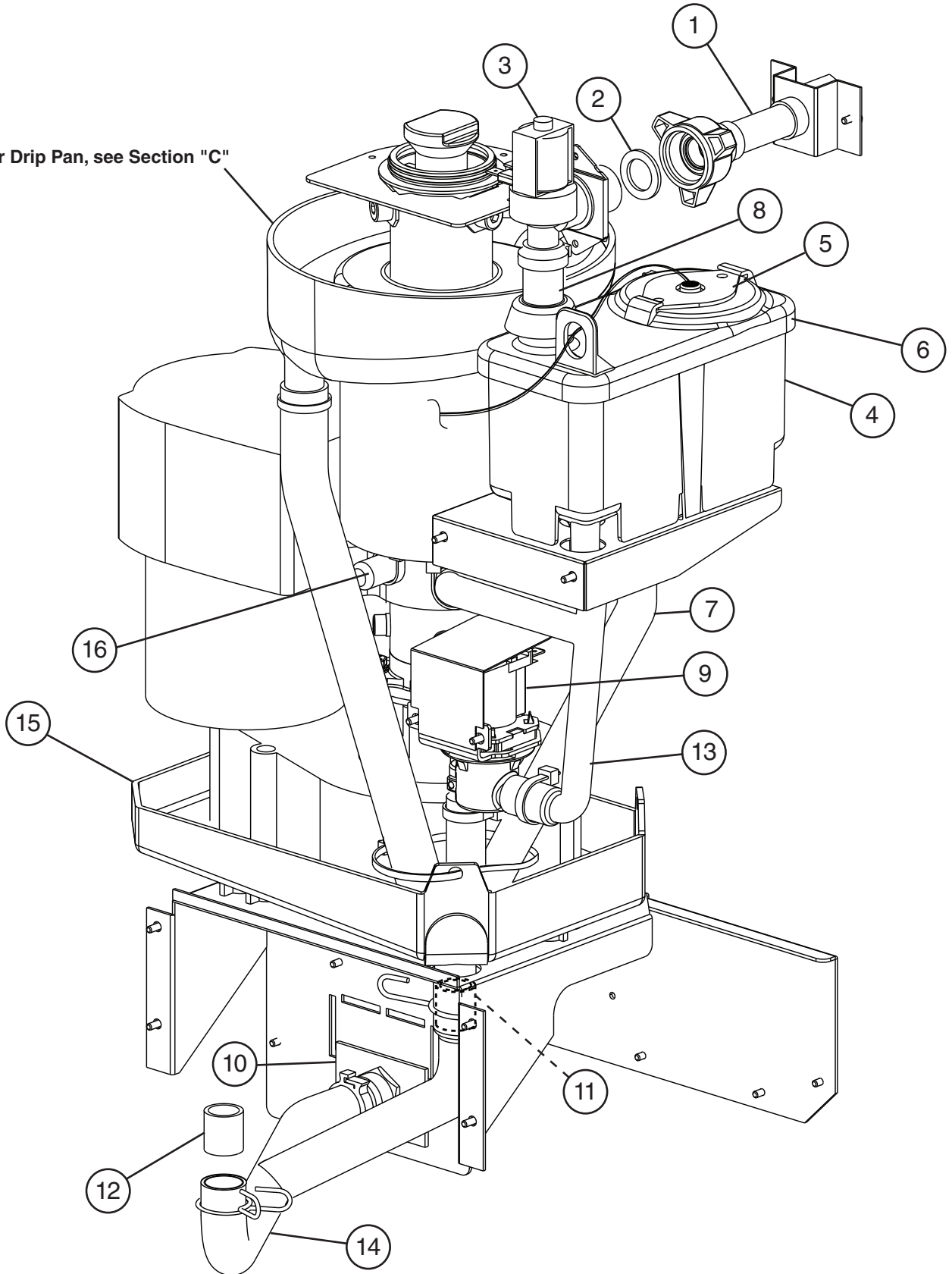


## D. Water Circuit

### C-80BAJ, C-80BAJ-DS, C-80BAJ-AD, C-80BAJ-ADDS

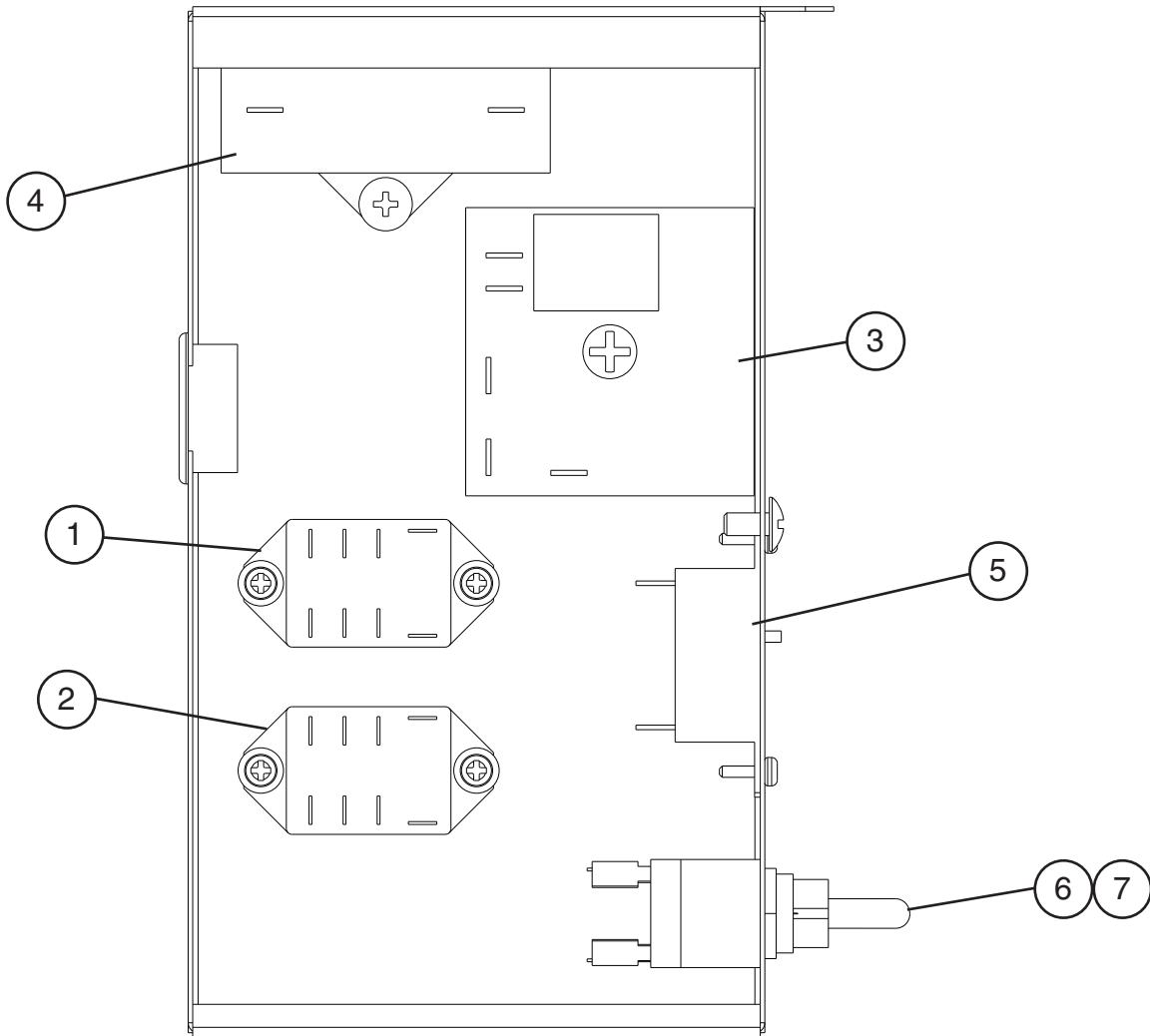
G-0, H-0

For Drip Pan, see Section "C"



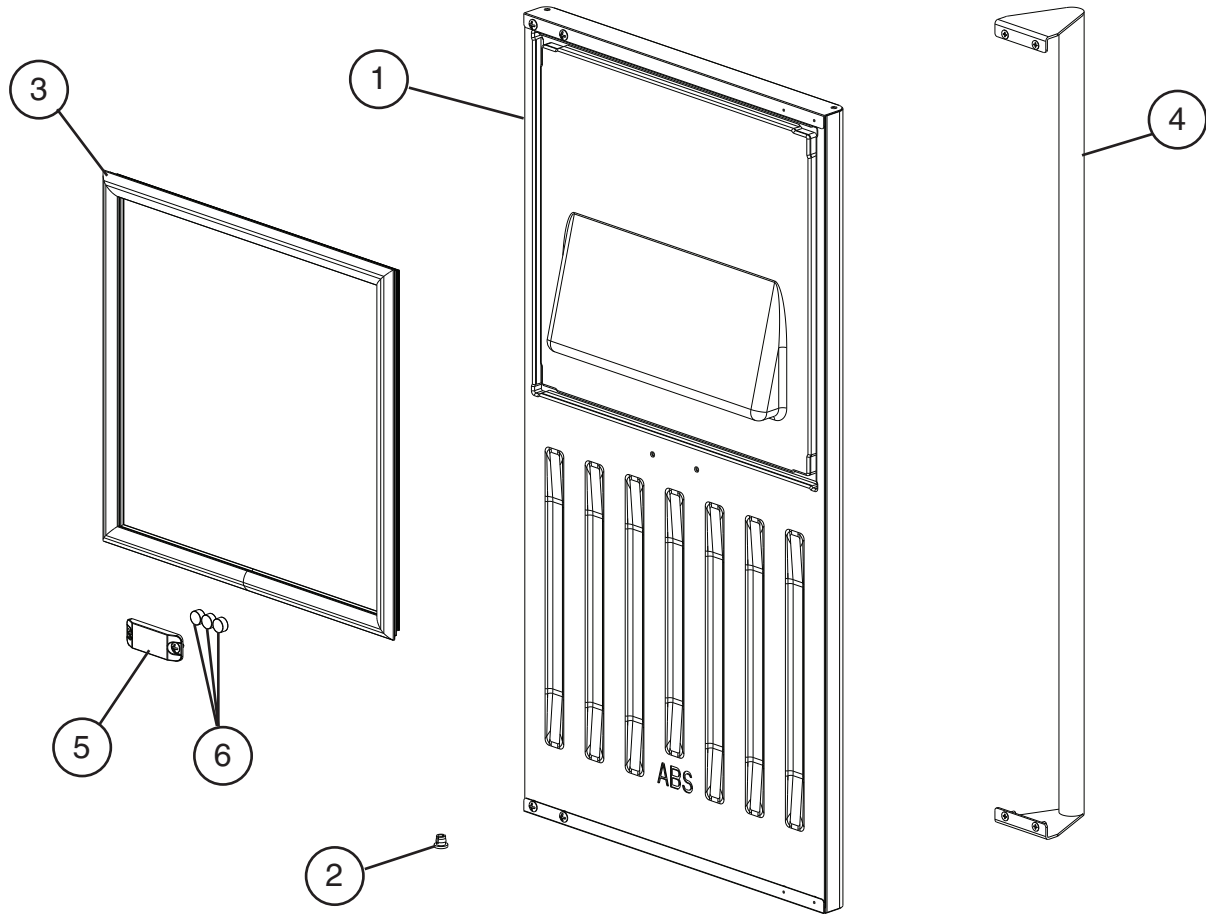
Title: D. Water Circuit Model: C-80BAJ, C-80BAJ-DS, C-80BAJ-AD, C-80BAJ-ADDS												
Index No.	Description	Material or Model Number	Part Number	Required Number								
				G-0 H-0								
1	Water Supply Pipe		4A5216G05	1								
2	Rubber Gasket		413854-03	1								
3	Inlet Water Valve		4A5251-05	1								
4	Reservoir		2A6586-01	1								
5	Float Switch		435490-01	1								
6	Reservoir Cover		3A6698-01	1								
7	Overflow Hose	L=220 mm	7730-1216	1								
8	Reservoir Inlet Hose		4A5388-01	1								
9	Drain Valve		4A5530-03	1								
10	Drain Fitting		4A3488G01	1								
11	Vinyl Hose	L=25 mm	7725-1923	1								
12	Silicone Hose	L=20 mm	7730-1519	1								
13	Reservoir Outlet Hose		3A7565-01	1								
14	Drain Hose		3A7521-01	1								
15	Drain Pan (Gear Motor)		323765G01	1								
16	Vinyl Cap		4A4370-01	1								
<b>Hose Clamps</b>												
	Hose Clamp	25 mm	427443-03	1								
	Hose Clamp	27 mm	427443-08	1								
	Hose Clamp	17-21 mm	4A2017-05	1								
	Hose Clamp	22-25 mm	4A2017-09	1								

**E. Control Box Assembly**  
**C-80BAJ, C-80BAJ-DS, C-80BAJ-AD, C-80BAJ-ADDS**  
 G-0, H-0



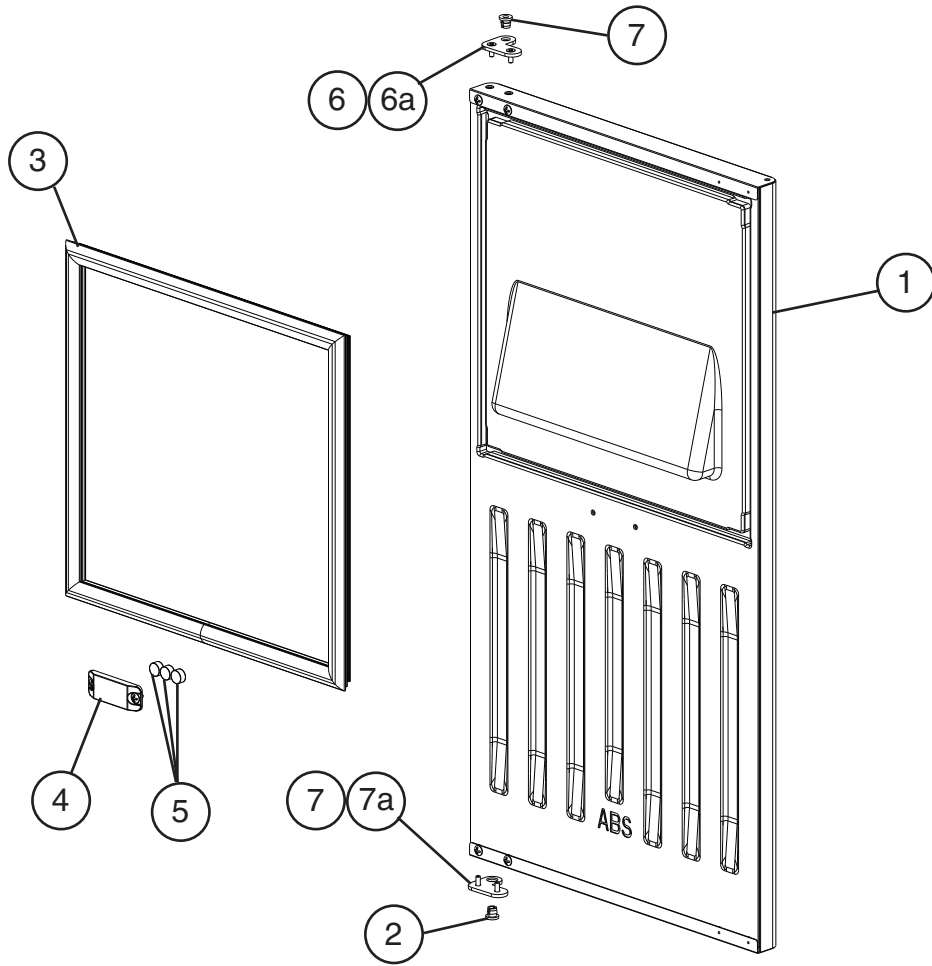
Title: E. Control Box Assembly		Model: C-80BAJ, C-80BAJ-DS, C-80BAJ-AD, C-80BAJ-ADDS		Required Number							
Index No.	Description	Material or Model Number	Part Number	G-0							
				H-0							
1	Compressor Relay		418271-03	1							
2	Water Control Relay		406132-07	1							
3	Time Delay Relay		4A5389-01	1							
4	Gear Motor Capacitor	10MFD, 280VAC	416921-05	1							
5	Protector		427253-01	1							
6	Control Switch		443119-01	1							
7	Cap		4A1937-01	1							

**F. Door Assembly**  
**C-80BAJ, C-80BAJ-AD**  
 G-0



Title: F. Door Assembly Model: C-80BAJ, C-80BAJ-AD														
Index No.	Description	Material or Model Number	Part Number	Required Number										
				G-0										
<b>Door Assembly (includes items 1 through 6)</b>		<b>C-80BAJ</b>	2A8654A01	1										
		<b>C-80BAJ-AD</b>	2A8654A02	1										
1	Door (includes item 2)	<b>C-80BAJ</b>	2A8653G01	1										
		<b>C-80BAJ-AD</b>	2A8653G02	1										
2	Bushing		417486-01	1										
3	Gasket		2A3017-01	1										
4	Handle	<b>C-80BAJ</b>	4A6129-01	1										
		<b>C-80BAJ-AD</b>	4A6129-02	1										
5	Magnet Holder		4Y0203-01	1										
6	Magnet		4A4686-01	3										

**F. Door Assembly**  
**C-80BAJ-DS, C-80BAJ-ADDS**  
 G-0, H-0



Title: F. Door Assembly Model: C-80BAJ-DS, C-80BAJ-ADDS												
Index No.	Description	Material or Model Number	Part Number	Required Number								
				G-0	H-0							
<b>Door Assembly (includes items 1 through 4)</b>		<b>C-80BAJ-DS</b>	2A7674A01	1								
		<b>C-80BAJ-ADDS</b>	2A7674A02	1								
1	Door (includes items 2)	<b>C-80BAJ-DS</b>	2A7672G01	1								
		<b>C-80BAJ-ADDS</b>	2A7672G02	1								
2	Bushing		417486-01	2								
3	Gasket		2A3017-01	1								
4	Magnet Holder		4Y0203-01	1								
5	Magnet		4A4686-01	3								
6	Hinge C Assembly (UR, LL) (includes one of item 2)		4A3983G01	1								
6a	Flat Head Screw	4x12, SS	7C22-0412	2								
7	Hinge C Assembly (LR, UL) (includes one of item 2)		4A3983G02	1								
7a	Flat Head Screw	4x12, SS	7C22-0412	2								

## G. Accessories & Labels

### C-80BAJ, C-80BAJ-DS, C-80BAJ-AD, C-80BAJ-ADDS

G-0, H-0

Title: G. Accessories & Labels Model: C-80BAJ, C-80BAJ-DS, C-80BAJ-AD, C-80BAJ-ADDS											
Index No.	Description	Material or Model Number	Part Number	Required Number							
				G-0	H-0						
1	Scoop		204336-01	1							
2	Hoshizaki Emblem		4A0560-01	1							
3	Drain Elbow	For use with optional Drain Pump Kit HS-5061	4A1017-01	1							
4	Canoe Clip	<b>C-80BAJ-DS</b> <b>C-80BAJ-ADDS</b>	4A5835-01	2							
5	L Bracket	<b>C-80BAJ-DS</b> <b>C-80BAJ-ADDS</b>	4A3998-01	1							
6	Threaded Wood Insert	<b>C-80BAJ-DS</b> <b>C-80BAJ-ADDS</b>	4A4004-01	6							