



C-101BAH-(AD)DS

Self-Contained Cubelet Ice Machine with Built-In Storage Bin



C-101BAH-(AD)DS
03/31/2017
Item # 13324

Item #: _____
Project: _____
Qty: _____
AIA#: _____

W x D x H

C-101BAH / C-101BAH-DS
14 7/8" x 22 5/8" x 33 1/2"

(-AD) - ADA Compliant

(-DS) - Customized Cabinet Door System

C-101BAH-AD / C-101BAH-ADDS
14 7/8" x 22 5/8" x 31 1/2"



C-101BAH ★
Air-Cooled
(Shown)

C-101BAH-AD ★
Air-Cooled
ADA Compliant Unit



C-101BAH-DS ★ ★
(Shown)
with Custom Cabinetry

C-101BAH-ADDS ★ ★
Air-Cooled
ADA Compliant Unit

*Customer responsible for providing cabinetry

Features

- ▶ Durable stainless steel exterior
- ▶ Approved for indoor or outdoor use
- ▶ Stainless steel auger with greaseless bearing

- Up to 92 lbs. of ice production per 24 hours and up to 20 lbs.* of built-in storage
- Mount two units, side-by-side, in only 44" of floor space for double the amount of ice production
- Front access provides ease of cleaning and maintenance
- Front in and out airflow
- Equipped with 6 ft. Cord with NEMA 5-15 Plug
- R-134A Refrigerant

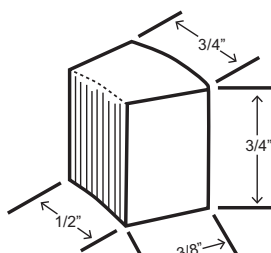
Warranty:

2 Year Parts & Labor on entire machine.
1 Year Parts & Labor on HS-5061 Drain Pump Assembly.
Valid in United States, Canada, Puerto Rico and U.S. Territories. Contact factory for warranty in other countries.



Condenser	Model	ICE PRODUCTION			WATER USAGE			ELECTRICAL				Shipping Weight	ENERGY STAR®
		Air / Water Temp Lbs. per 24 hours 70°/ 50°F 90°/ 70°F	Type of Ice (Hardness Rating)	Potable Gal. per 100 lbs. 90°/ 70°F	Condenser Gal. per 100 lbs. 90°/ 70°F	kWh Used per 100 lbs. 90°/ 70°F	Max. Fuse Size or HACR Circuit Breaker	Amperage	Voltage	Heat Rejection BTU/hr.			
Air-Cooled	C-101BAH-(DS)	92	62	Cubelet (81.6)	12.0	N/A	12.1	15A	4.0A	115V/60/1	1,850	120 lbs.	★
Air-Cooled	C-101BAH-AD-(DS)	92	62	Cubelet (81.6)	12.0	N/A	12.1	15A	4.0A	115V/60/1	1,850	120 lbs.	★

Cubelet Dimensions*



* approximate size in inches, image not to scale

Operating Limits

- Ambient Temp Range 45 - 100°F
- Water Temp Range 45 - 90°F
- Water Pressure 7 - 113 PSIG
- Voltage Range 104-127V

Service

- Allow 15" (38 cm) at front and enough space at rear for water supply and drain connections.
- Location must provide a firm and level foundation.
- Do not place near ovens, grills or other high heat producing equipment.

Parts

- -DS Door Reversal Part - HS-0229
Optional Kit required for (-DS) models
- Side trim kit available
- Accessory - HS-5061 Drain Pump Assembly
- Water filter - H9320-51

Plumbing

- Icemaker Water Supply Line: Minimum 1/4" Nominal ID Copper Water Tubing or Equivalent
- Icemaker Drain Line: Minimum 1/2" Nominal ID Hard Pipe or Equivalent



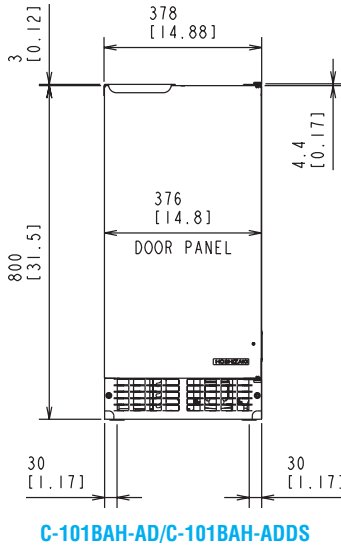
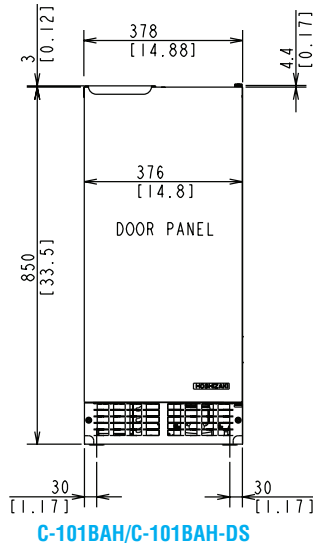
C-101BAH-(AD)DS

Self-Contained Cubelet Ice Machine
with Built-In Storage Bin



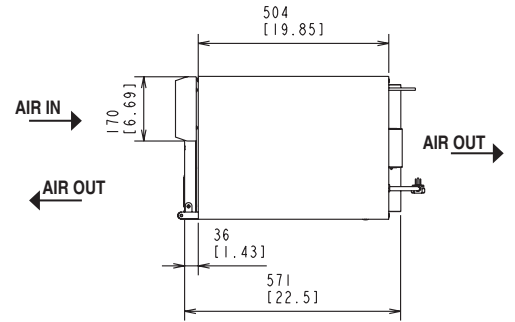
C-101BAH-(AD)DS
03/31/2017
Item # 13324

FRONT VIEW

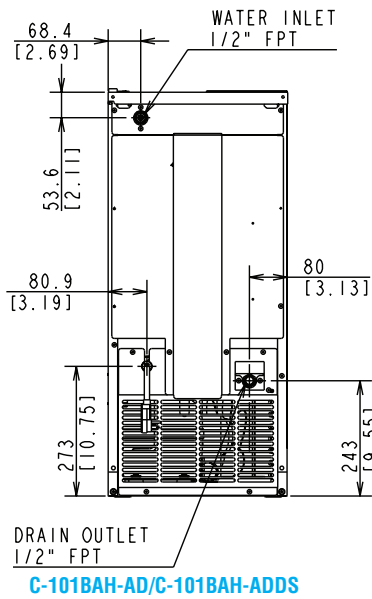
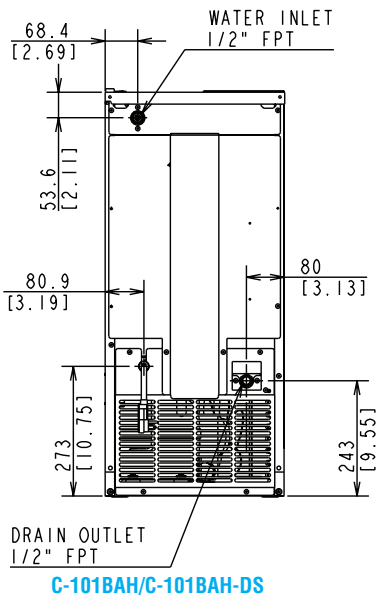


mm
[inch]

TOP VIEW



REAR VIEW



SIDE VIEW

