



T&S BRASS AND BRONZE WORKS, INC.

2 Saddleback Cove / P.O. Box 1088
Travelers Rest, SC 29690

Model No.

EC-3101TMVHGF10

Item No.

Travelers Rest, SC: 800-476-4103 • Simi Valley, CA: 800-423-0150 • Fax: 864-834-3518 • www.tsbrass.com



ADA Compliant



This Space for Architect/Engineer Approval

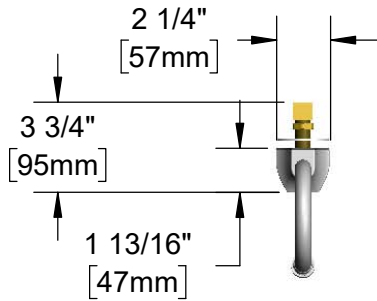
Job Name _____ Date _____

Model Specified _____ Quantity _____

Customer/Wholesaler _____

Contractor _____

Architect/Engineer _____



2 1/4"
[57mm]

3 3/4"
[95mm]

1 13/16"
[47mm]

Rigid Gooseneck w/
B-0199-06-F10
VR 1.0 GPM Aerator

1/2" NPSM x 3/8" NPSM
30" [762mm] Flexible
Stainless Steel Hose

24" [610mm]
Sensor Cable

Removable
Strainer

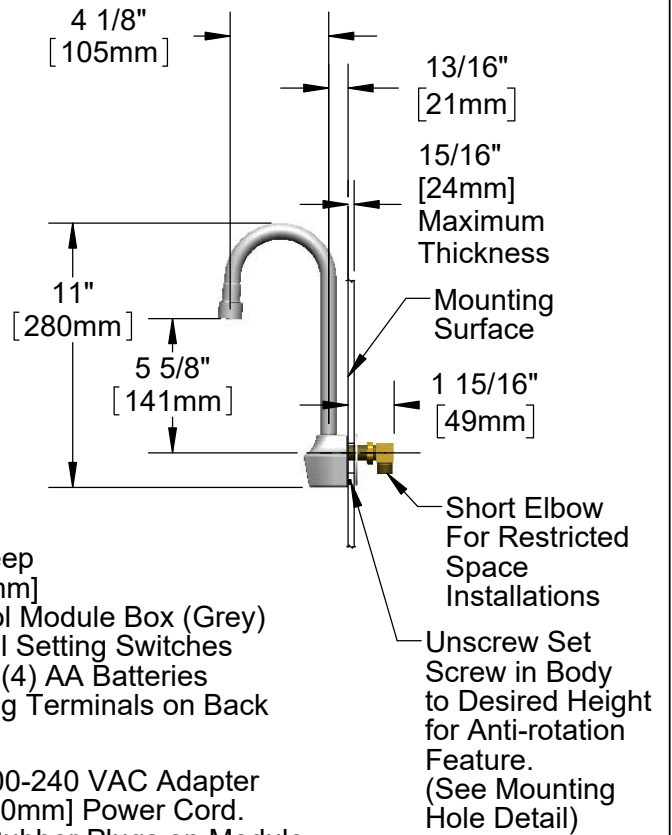
EC-HYDROGEN
Hydro-Generator
Power Supply.
No AA Batteries
Needed to Supply
Power to Faucet

3 5/8" x 4 3/16" x 2" Deep
[92mm x 106mm x 51mm]
Water Resistant Control Module Box (Grey)
w/ Internal Flow Control Setting Switches
AC or DC Operated w/ (4) AA Batteries
Hardwire Capable Using Terminals on Back

Optional 100-240 VAC Adapter
w/ 71" [1800mm] Power Cord.
(Remove Rubber Plugs on Module
and Cable to Connect)

(2) 3/8" Compression x 1/2" NPSM
18" [457mm] Flexible Stainless Steel
Supply Hose

EC-TMV
ASSE 1070
Thermostatic Temperature Mixing
Valve w/ Check Valves



4 1/8"
[105mm]

13/16"
[21mm]

15/16"
[24mm]

Maximum
Thickness

Mounting
Surface

1 15/16"
[49mm]

Short Elbow
For Restricted
Space
Installations

Unscrew Set
Screw in Body
to Desired Height
for Anti-rotation
Feature.
(See Mounting
Hole Detail)

Mounting Hole
Detail

Ø 1 1/8"
[29mm]

1 5/32"
[29mm]

Ø 9/32" [7mm]

Product Specifications:

Chrome Plated Brass Electronic Faucet: Wall Mount Rigid Gooseneck w/ 1.0 GPM VR Aerator, AC/DC Control Module w/ Internal Flow Control Setting Switches, Thermostatic Temperature Control Mixing Valve w/ Check Valves, Hydro-Generator, 18" Hot & Cold Flexible Connector Hoses

Product Compliance:

ASME A112.18.1 / CSA B125.1
NSF 61 - Section 9
NSF 372 (Low Lead Content)
ANSI A117.1 (ADA)
UL 1951
ASSE 1070 (TMV)
EPA WaterSense



T&S BRASS AND BRONZE WORKS, INC.

2 Saddleback Cove / P.O. Box 1088
Travelers Rest, SC 29690

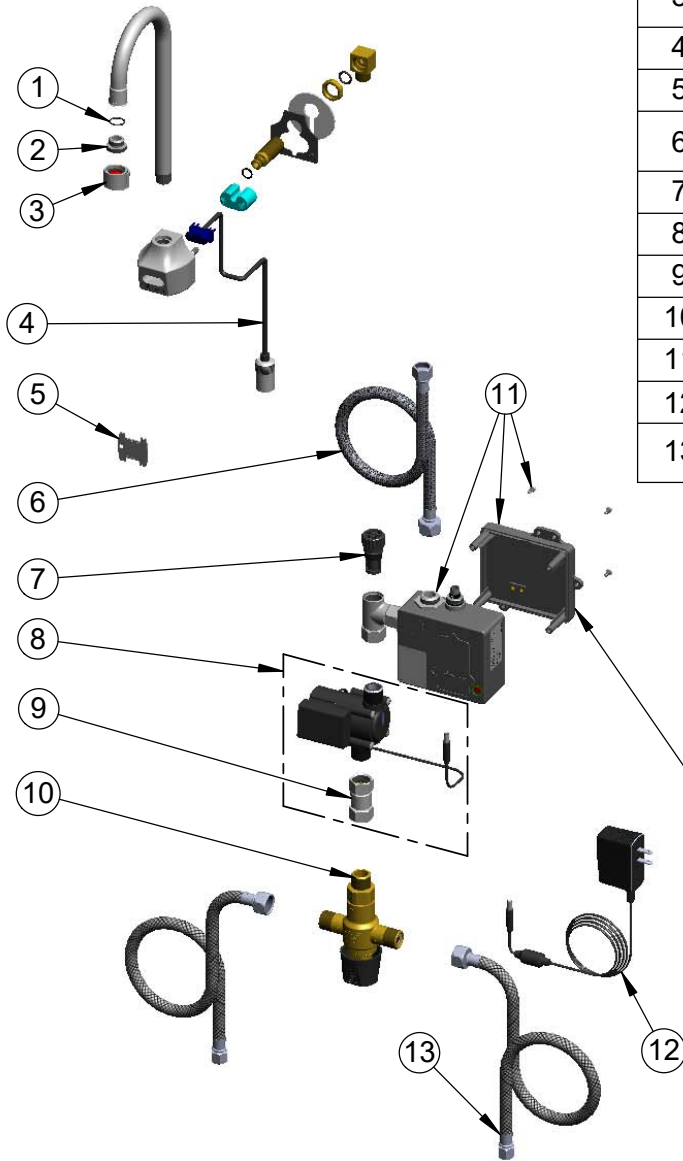
Model No.

EC-3101TMVHGF10

Item No.

Travelers Rest, SC: 800-476-4103 • Simi Valley, CA: 800-423-0150 • Fax: 864-834-3518 • www.tsbrass.com

ITEM NO.	SALES NO.	DESCRIPTION
1	006575-45	O-Ring
2	044A	3/8" to Aerator Adapter
3	B-0199-06-F10	VR 1.0 GPM Aerator, 55/64-27 UN Female w/ Key
4	017195-45	Angled Sensor w/ Cable
5	015425-45	Vandal Resistant Key
6	016325-45	Flexible Connector, 3/8" NPSM x 1/2" NPSM
7	EC-FILTER	Replacement Filter
8	EC-HYDROGEN	HydroGenerator Power Supply
9	017506-45	1/2" NPSM Swivel Coupling
10	EC-TMV	ASSE Thermostatic Mixing Valve
11	016647-45	CheckPoint Electronic Module (Grey)
12	5EF-0002	A/C Transformer
13	5EF-0005	Supply Hose, 9/16-24 Female x 1/2" NPSM



A Maximum of (8) ChekPoint Faucets can be Hardwire Connected and Powered by EC-HARDWIRE ChekPoint Hardwire AC Transformer. (Sold Separately)

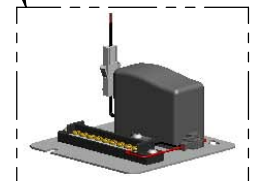
Label for Flow Control Switch Settings is Located on Inside of Back Cover.

Flow Control Switches are Located Inside Module Housing in Black Box Next to Battery Compartment.

*Switches are Set to DEFAULT Position:

- Auto Time Out = 15 Seconds
- Shut Off Delay = 1 Second
- Auto Flush = OFF

Remove (4) Screws and Back Cover to Access Switches.



***Available Water Flow Control Selections:**

- Auto Time Out: 15 sec, 30 sec, 45 sec, 60 sec, 3 min, 20 min
- Shut Off Delay: 1 sec, 10 sec, 15 sec, 30 sec
- Auto Flush (30 Seconds After Every 12 Inactive Hours): ON or OFF

Product Specifications:

Chrome Plated Brass Electronic Faucet: Wall Mount Rigid Gooseneck w/ 1.0 GPM VR Aerator, AC/DC Control Module w/ Internal Flow Control Setting Switches, Thermostatic Temperature Control Mixing Valve w/ Check Valves, Hydro-Generator, 18" Hot & Cold Flexible Connector Hoses

Product Compliance:

ASME A112.18.1 / CSA B125.1
NSF 61 - Section 9
NSF 372 (Low Lead Content)
ANSI A117.1 (ADA)
UL 1951
ASSE 1070 (TMV)
EPA WaterSense