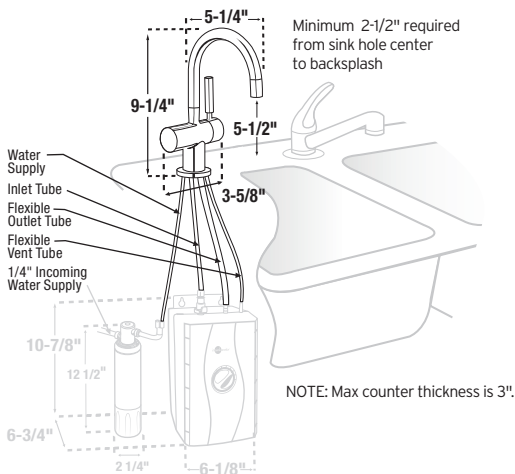




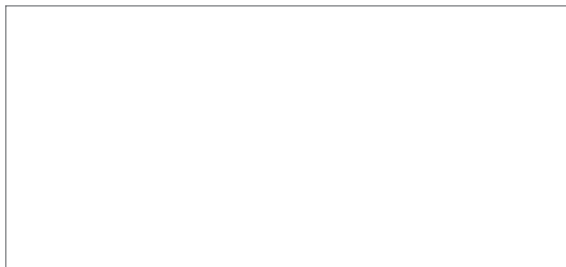
The Next Necessity™



Dimensions



Job Specifications



Instant Hot Water Dispensers



F-H3300

Our finest line of instant hot water dispensers for use with our Hot Water Tank for filtered near-boiling 200°F water

Tank with filter sold separately (HWT-F1000S)

Submittal Sheet

- **Hot Only** - Dispenses near-boiling 200°F water
- Unique single handle design provides a sleek, minimalist look
- Hot side activation with automatic shut off
- Activate the faucet handle by first pressing down and then pushing backward
- Ceramic valve resists corrosion
- Durable all brass faucet construction
- *We Come To You*® 5-Year In-Home Limited Warranty*
- For use with InSinkErator Hot Water Tank and F-1000S Filtration System
- **Available in these designer finishes:** Chrome, Satin Nickel, Polished Nickel and Matte Black
- Unit not for commercial/industrial use

Specifications

| | |
|------------------------|------------------------------------|
| Ceramic Valve | Instant, self-closing |
| Shipping Weight | Approximately 5.0 lbs. |
| Required Hole Diameter | 1-3/8" - 1-1/2" standard sink hole |



Sample Specification

Instant hot water dispenser(s) shall be InSinkErator Model F-H3300 with 2/3-gallon hot water tank, adjustable temperature from 160°F to 210°F and instant, self-closing ceramic hot valve.

Warranty:

5-year parts and in-home service.

* The complete InSinkErator warranty is included in the Care & Use booklet packed with each unit.



USA
1-800-558-5700
www.insinkerator.com

Canada
1-800-558-5700
www.insinkerator.ca



The Emerson logo is a trademark and a service mark of Emerson Electric Co. InSinkErator may make improvements and/or changes in the specifications at any time, in its sole discretion, without notice or obligation and further reserves the right to change or discontinue models.

© 2018 InSinkErator, InSinkErator® is a business unit of Emerson Electric Co. All Rights Reserved.