

**Talis C**  
**Widespread Faucet 100 with Pop-Up Drain, 1.2 GPM**  
 Finishes : **polished nickel**    Part no. : **14113831**



**Description**

**Features**

- Aerated spray
- Flow: 1.2 GPM (4.5 L/Min)
- 90° ceramic valves
- Includes pop-up drain

**Item details**

List Price \$ 704.00

**Technology**



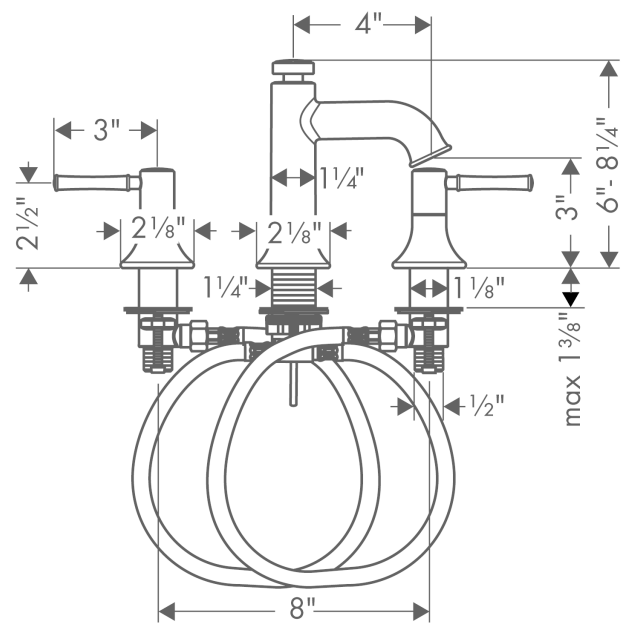
**Compliance**



**Product image**



**Scale drawing**

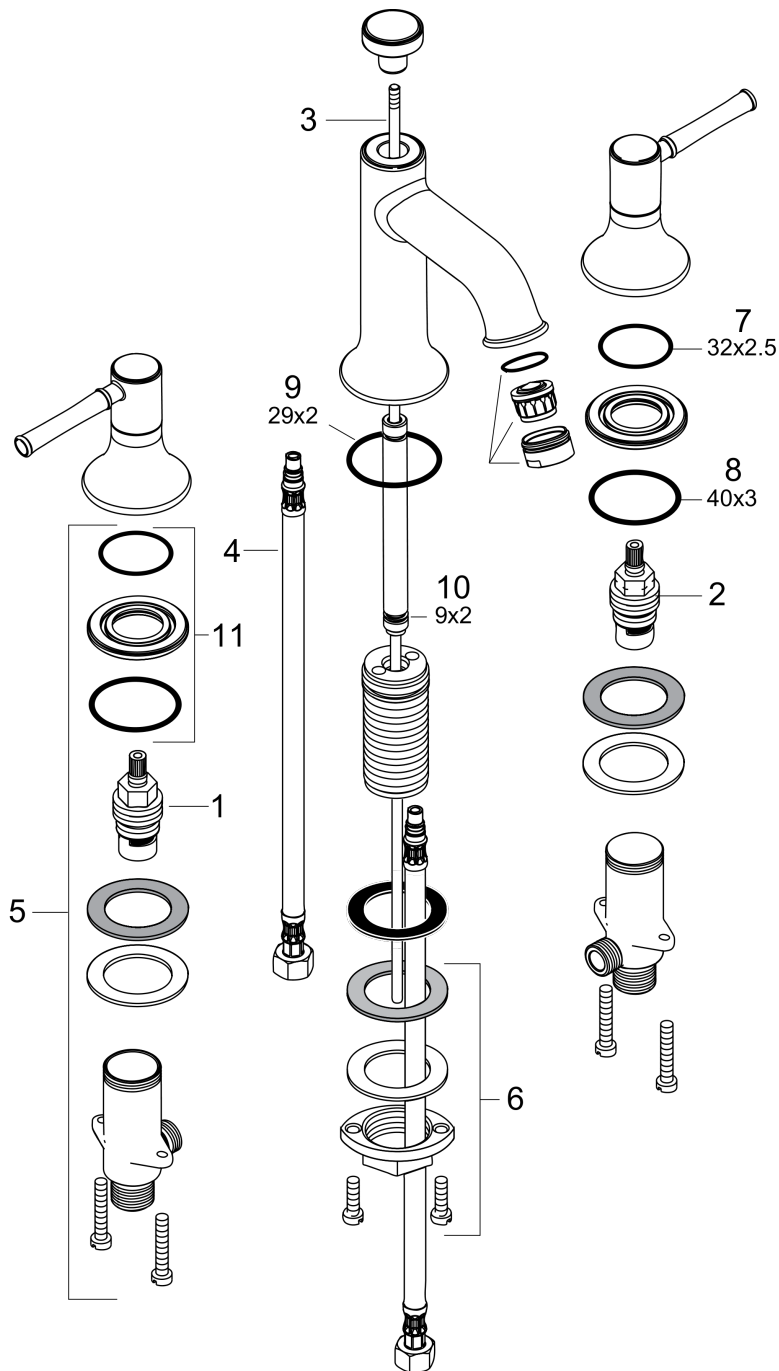


**Talis C**  
**Widespread Faucet 100 with Pop-Up Drain, 1.2 GPM**  
 Finishes : polished nickel Part no. : 14113831



Exploded drawing

Year of production: >08/18



**Talis C**

**Widespread Faucet 100 with Pop-Up Drain, 1.2 GPM**

Finishes : **polished nickel** Part no. : **14113831**



**Spare parts list**

Year of production: >08/18

Pos.	Description	Part no.	Price	PU
1	shut off unit left closing	94008000	-	1
2	shut off unit right closing	94009000	-	1
3	pull rod	95128830	-	1
4	connection hose 18½" M8x0,75 3/8"	96321001	-	1
5	stop valve cpl.	97960001	-	1
6	fixing set (Ø 32)	13961000	-	1
7	O-Ring 32x2,5	96364000	-	1
8	O-ring 40x3	92634000	-	1
9	O-ring 29x2	98391000	-	1
10	O-ring 9x2	98119000	-	1
11	nut	92854000	-	1
a	pop up waste	88509830	-	1