



## INSTALLATION MANUAL & WARRANTY INFORMATION

**Jacuzzi Luxury Bath**  
14525 Monte Vista Avenue  
Chino, CA 91710  
1-800-288-4002  
[www.jacuzzi.com](http://www.jacuzzi.com)



### Table of Contents

Product Information ..... 2

Important Safety Instructions ..... 3-4

Inspection and Testing ..... 4

Framing and Support ..... 5-6

Electrical Connections ..... 6

Fuzion® Specific Material ..... 7-8

Chromatherapy Operation ..... 9

Installation Procedures ..... 9-12

Skirt Panel Installation (Select Skirted Models Only) ..... 13

Cleanup After Installation ..... 13

General Cleaning ..... 13

General Maintenance ..... 14

Authorized Service ..... 14

Warranty Registration Card ..... 15-16

*\*For Spanish and French installation instructions, please visit [www.jacuzzi.com/baths/support/owners-manuals/](http://www.jacuzzi.com/baths/support/owners-manuals/).*  
*\*Para instrucciones de instalación en español, por favor visite [www.jacuzzi.com/baths/support/owners-manuals/](http://www.jacuzzi.com/baths/support/owners-manuals/).*  
*\*Pour les directives d'installation en français canadien, veuillez visiter [www.jacuzzi.com/baths/support/owners-manuals/](http://www.jacuzzi.com/baths/support/owners-manuals/).*

### Product Information

Save these instructions for future use. Use the form below to record your model and serial number for future reference.

Date Purchased \_\_\_\_\_

Purchased From \_\_\_\_\_

Installed By \_\_\_\_\_

Serial Number \_\_\_\_\_

Model \_\_\_\_\_

**Installer:** Leave the manual for the homeowner.  
**Homeowner:** Read this manual and keep for future reference.

## Important Safety Instructions

This is a professional grade product. A working knowledge of construction techniques, code-compliant plumbing/electrical installation are required for proper installation and user satisfaction. We recommend that a licensed contractor perform the installation of all Jacuzzi® products. Our warranty does not cover improper installation related problems.

**READ AND FOLLOW ALL INSTRUCTIONS. SAVE THESE INSTRUCTIONS.** Use this unit only for its intended use as described in this manual. Do not use attachments not recommended by the manufacturer. Never drop or insert any object into any opening.

**⚠ DANGER: RISK OF ACCIDENTAL INJURY OR DROWNING!** Do not permit children to use this unit unless they are closely supervised at all times. Do not use hydromassage bathtubs unless all suction guards are installed to prevent body and hair entrapment.

**⚠ DANGER: RISK OF SEVERE INJURY FROM ELECTRIC SHOCK OR DEATH FROM ELECTROCUTION!** This unit must be connected only to a supply circuit that is protected by a 15 amp ground fault circuit interrupter (GFCI). Such a GFCI should be provided by the installer and should be tested on a routine basis. Follow the manufacturer's instructions when testing the GFCI. The GFCI should interrupt power. Push the reset button. Power should be restored. If the GFCI fails to operate in this manner, the GFCI is defective. If the GFCI interrupts power to the bathtub without the test button being pushed, a ground current is flowing, indicating a possibility of an electric shock. Do not use this hydromassage bathtub. Disconnect the hydromassage bathtub and have the problem corrected by a qualified service representative before using.

**⚠ DANGER: RISK OF ELECTRIC SHOCK!** Do not permit electrical appliances (such as a hair dryer, lamp, telephone, radio or television) within 60" (1524 mm) of this hydromassage bathtub. Connect only to a circuit protected by a ground fault circuit interrupter (GFCI). For permanently connected units, A green colored terminal or a wire connector marked ("G", "GR", "GROUND", or "GROUNDING") is provided within the terminal compartment. To reduce the risk of electric shock, connect the terminal or connector to the grounding terminal of your electric service or supply panel with a conductor equivalent in size to the circuit conductors supplying the equipment.

**⚠ WARNING: PROLONGED IMMERSION IN HOT WATER MAY INDUCE HYPERTHERMIA!** Hyperthermia occurs when the internal temperature of the body reaches a level several degrees above the normal body temperature of 98.6°F (37°C). The symptoms of hyperthermia include an increase in the internal temperature of the body, dizziness, lethargy, drowsiness and fainting. Water temperature in excess of 104°F (40°C) may be injurious to your health. Check and adjust water temperature before use. The effects of hyperthermia include:

- A. Failure to perceive heat.
- B. Failure to recognize the need to exit the bath.
- C. Unawareness of impending hazard.
- D. Fetal damage in pregnant women.
- E. Physical inability to exit the bath.
- F. Unconsciousness resulting in danger of drowning.

**⚠ DANGER!** This equipment is intended for indoor use only. Install the equipment in accordance with these instructions. Use supply wires that are suitable for 167°F (75°C), including the temperature rating of the supply conductors to be used. This unit should be electrically grounded and installed by a licensed contractor, electrician, and plumber. Building materials and wiring should be routed away from the motor/pump or blower or other heat producing components of this unit. A pressure wire connector is provided on the exterior of the motor/pump and heater to permit connection of an No. 8 AWG solid copper bonding conductor between this unit and all other electric equipment and exposed metal in the vicinity, as needed to comply with local requirements.

**⚠ DANGER! RISK OF SEVERE INJURY OR DEATH!** Risk of fetal injury. Pregnant or possibly pregnant women should consult a physician before using a hydromassage bathtub equipped with a heater.

**⚠ DANGER! RISK OF SEVERE INJURY OR DROWNING!** Keep body and hair a minimum of 6" (152 mm) away from the suction fitting at all times when the hydromassage system is in operation. Hair longer than shoulder length should be secured close to the head.

**⚠ CAUTION!** Do not immerse the control panel by overfilling the bath.

## Important Safety Instructions (Continued)

**⚠ WARNING! RISK OF SEVERE INJURY!** To avoid injury, use care when entering and exiting the hydromassage bathtub

**⚠ CAUTION!** Do not use drugs or alcohol before or during the use of a hydromassage bathtub equipped with a heater. People using medications or having an adverse medical history should consult a physician before using a hydromassage bathtub equipped with a heater. Possible drowning may occur.

**⚠ WARNING! RISK OF SEVERE INJURY OR DEATH!** Do not use a hydromassage bathtub equipped with a heater immediately following strenuous exercise.

**⚠ CAUTION! TO DECREASE RISK OF PRODUCT DAMAGE.** Use this unit only for its intended use as described in this manual. Do not use attachments not recommended by the manufacturers. Do not tamper with user-operated controls or such devices.

### SAVE THESE INSTRUCTIONS.

Jacuzzi Luxury Bath (the "Company") has obtained applicable code (standards) listings generally available on a national basis for products of this type. It is the responsibility of the installer/owner to determine specific local code compliance prior to installation of the product. The Company makes no representation or warranty regarding, and will not be responsible for any code compliance. Product specifications are subject to change without notice.

## Inspection and Testing

### Visual Inspection

1. Remove the bathtub from the shipping carton. Be careful not to scratch the surface of the bathtub on exposed staples. Remove the staples or fold them into the carton. Retain the carton until satisfactory inspection of the product has been made. Do not lift the bathtub by the plumbing at any time; handle by the shell only.
2. Inspect the shell and bathtub components. Should inspection reveal any damage or defect in the finish or visible damage to any components, do not install the bathtub. Damage or defect to the finish claimed after the bathtub is installed is excluded from the warranty. The responsibility of Jacuzzi Luxury Bath for shipping damage ceases upon delivery of the products in good order to the carrier.
3. Refer any claims for damage to the carrier. For definitions of warranty coverage and limitations, refer to the published warranty information packed with the product or in the back of this manual.

### Bathtub Water and Operational Test

All bathtub units are factory tested for proper operation and watertight connections prior to shipping. However, the unit must be retested by the installer prior to installation. Jacuzzi Luxury Bath is not responsible for any defect that could have been discovered, repaired, or avoided by following this inspection and testing procedure:

1. Place the bathtub on a level surface, near appropriate electrical supply, water supply, and water drainage. A driveway is a suitable choice.
2. Cover the drain and overflow hole with tape or a stopper and fill the bathtub to the bottom of the overflow hole.
3. Allow bathtub to stand for 5 minutes.
4. Plug in motor/pump and turn unit on. Confirm that all features function as described in the Operating Manual. Do not install the bathtub if bathtub fails to operate as described.
5. Visually inspect all joints for leaks. Do not install the bathtub if leaks are detected.
6. Return bathtub to box or otherwise protect from damage until time of installation.

## Framing and Support

**READ ALL INSTALLATION INSTRUCTIONS COMPLETELY. IMPROPER INSTALLATION WILL VOID THE WARRANTY.**

The floor structure beneath the bathtub must be able to support the total weight of the bathtub, water and bather. Consult a structural engineer.

**IMPORTANT!**

Make sure that walls and floors meet fire safety requirements of local building code and/or FHA/HUD Minimum Property Standards.

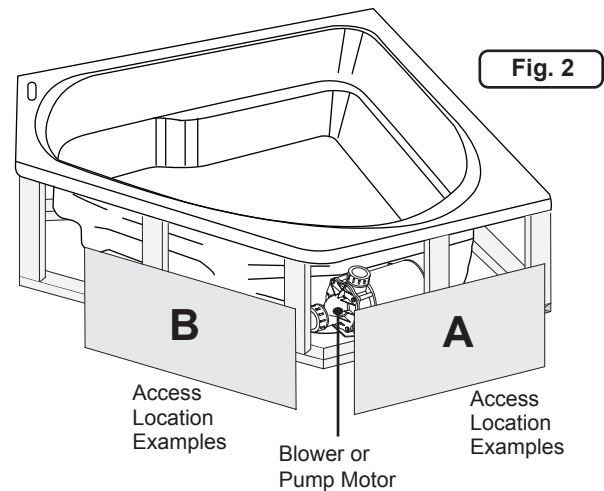
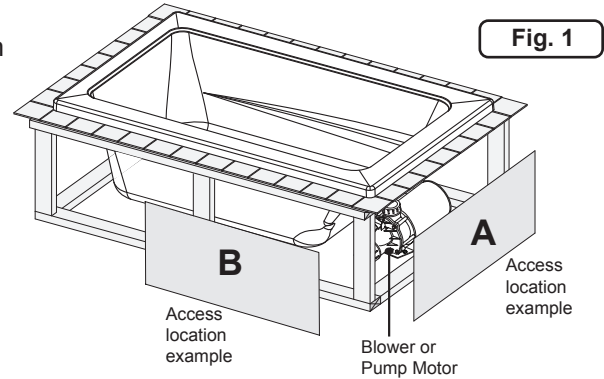
Observe all governing codes and ordinances.

1. Proper installation is your responsibility. Have a qualified technician install this bath.
2. Installation using a ground-fault circuit-interrupter (GFCI) is required.
3. It is the customer's responsibility:
  - To contact a qualified electrical installer.
  - To ensure that electrical installation is adequate and in conformance with National Electrical Code (NEC).

The Technical Specifications can be found at [www.jacuzzi.com/baths/support/](http://www.jacuzzi.com/baths/support/).

Frame out the space where the bathtub is to be located. The following should be taken into consideration when preparing the area:

- Dimensions provided on rough-in diagrams are nominal. Measure your actual unit upon receipt and build according to the actual dimensions.
- Finished alcove must have correct interior dimensions, as shown in the key dimension section in the Technical Specifications Sheet, to properly install unit.
- For three wall alcove installations, use an integral molded three-sided tiling flange bathtub. When using the optional tile flange, refer to instructions that are included with kit.
- In remodeling, if necessary, add studs at each end to provide a vertical nailing surface for the side nailing flanges of bath fixture product.
- To avoid obstructions during installation make sure that supply lines, spout pipe and valve plumbing do not project into alcove.
- Bathtubs require a 6" x 12" (150 mm x 305 mm) floor opening for the 1 1/2" (38 mm) drain, waste and overflow (DWO) kit.
- Be sure floor opening location matches bathtub fixture drain location.
- Use of casting plaster/plaster of paris (foundation material) is recommended in all commercial structures (i.e. hotels, motels, dormitories, health clubs, etc.).
- The unit must be supported from the bottom of the bathtub and not from the bathtub rim.
- Per UPC code, access must be provided to the pump/motor for your specific model (Figure 1 and Figure 2).
- Provide adequate ventilation for cooling and supply sufficient air for the pump/motor. Do not insulate around the equipment.
- It is the responsibility of the installer, building contractor or owner to provide access for service. Jacuzzi is not responsible for any costs relating to obtaining access for repair. The owner shall bear such costs and, if appropriate, must seek recovery from the installer.



**A** = Primary access (required)  
**B** = Secondary access for equipment (optional)

Illustrations above shown with framing exposed for clarity.

**IMPORTANT:** Left hand unit access is on the opposite side (mirror)

## Framing and Support (Continued)

### Subfloor

Prepare the subfloor for the drain and ensure that the area is level.

1. The drain/overflow of the bathtub extends below the bottom of the bathtub. The Technical Specifications can be found at [www.jacuzzi.com/baths/support/](http://www.jacuzzi.com/baths/support/).
2. Make appropriate cuts to the subfloor to accommodate the drain.
3. The Jacuzzi Tru-Level® base is a standard feature on all bathtubs. If the subfloor is level and a continuous surface, no other preparation is necessary. Proceed to the “Electrical Connections” section.
4. If the subfloor is not level, you must level the entire surface prior to installing the bathtub. The materials used will insure that the bathtub is supported from the bottom. These materials include: leveling compound, mortar, plaster or minimal expansion structural foam (having a density of a minimum 5 lbs/cubic foot). The bathtub must remain level in order for it to drain properly and must make contact with the leveling material. Both sides of a joint or splice of subfloor should be level to each other.

## Electrical Connections

**⚠ DANGER: RISK OF ELECTRIC SHOCK!** Connect only to a circuit protected by a GFCI (Figure 3).

**⚠ CAUTION!** Electrical outlet must be mounted 4" (101 mm) above the floor line and 12" max (305 mm) inside from the edge of the bathtub (Figure 3), or in accordance with local building and electrical codes.

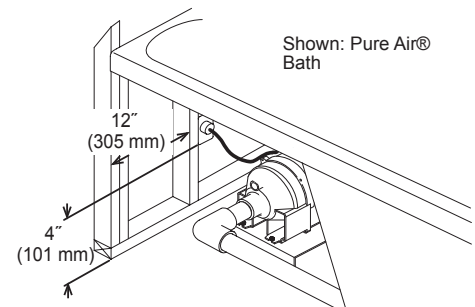
**⚠ CAUTION!** Risk of component overheating. Do not use electric extension cord to power this unit. Operating the pump without enough water in the bathtub can cause permanent damage to the pump/motor.

If the GFCI unit indicates a malfunction, per manufacturer's instructions, turn OFF power and do not attempt to use the bathtub until the source of the problem has been identified and corrected.

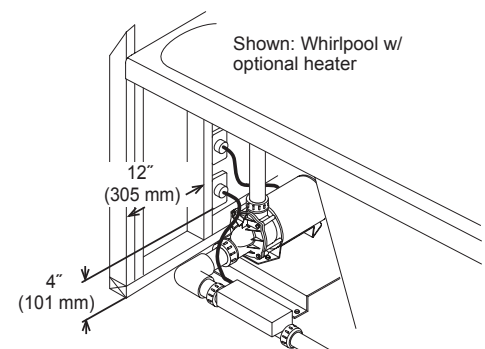
**NOTES:** When using electrical products, basic precautions should always be followed. Always follow local building and electrical codes. Grounding is required. The unit should be installed and grounded by a qualified electrician.

**CANADIAN MODELS ONLY:** The components must be hard wired in the J-Boxes (supplied) that are located on the unit.

**The Technical Specifications can be found at [www.jacuzzi.com/baths/support/](http://www.jacuzzi.com/baths/support/).**



**Fig. 3**



**Fuzion® Specific Material**

The additional design features of the Fuzion® require that the following steps be completed prior to installing the bathtub in the constructed surround. The following steps must also be completed in the order specified:

1. Fuzion® Faucet Installation
2. Fuzion® Overflow/Drain Installation
3. Fuzion® Wood Frame Installation
4. Fuzion® Control Panel Installation

**Fuzion® Faucet Installation**

Selecting a faucet for rim mounting: The combined thickness at the rim of the bathtub shell and optional wood deck is 2" (50mm) nominal. The length of the faucet tailpiece(s) must be long enough to extend past this dimension and have ample clearance to assemble any hardware (i.e. locknut, water supply fittings, etc.) necessary for installation. For undermount units, the combined thickness of the bathtub shell is ½" (12mm) nominal and the undermount deck should not exceed the length of the faucet tailpiece(s), including any assembly hardware.

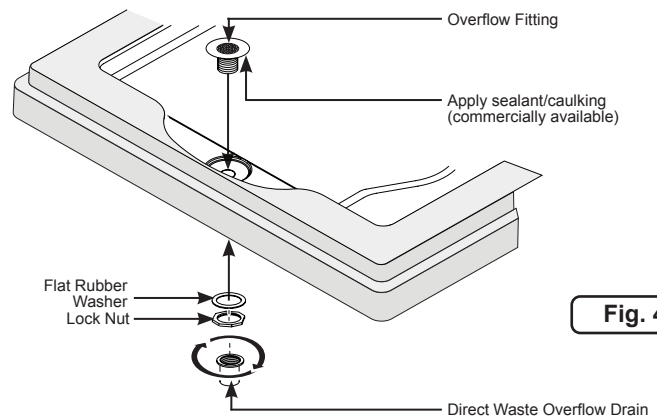
**Fuzion® Overflow Drain Installation**

Assemble in accordance with the local plumbing or building codes.

1. Identify drain overflow kit provided with your bathtub. Remove and open the overflow package and confirm that all parts are present.
2. Remove washers and nuts from the overflow fitting.
3. Place a small bead of plumbers putty, silicone, or similar approved sealant around the underside of the top flange of the overflow fitting.
4. Place the overflow fitting into the overflow hole of the bathtub (Figure 4).
5. From the underside of the unit, place the rubber washer then locknut on the overflow fitting and tighten securely. Be careful not to overtighten.
6. Assemble the remaining drain pieces as shown in the illustration.
7. After the drain is fully installed, test for proper drainage. If the unit does not drain properly, rectify this condition before proceeding with further bathtub installation.

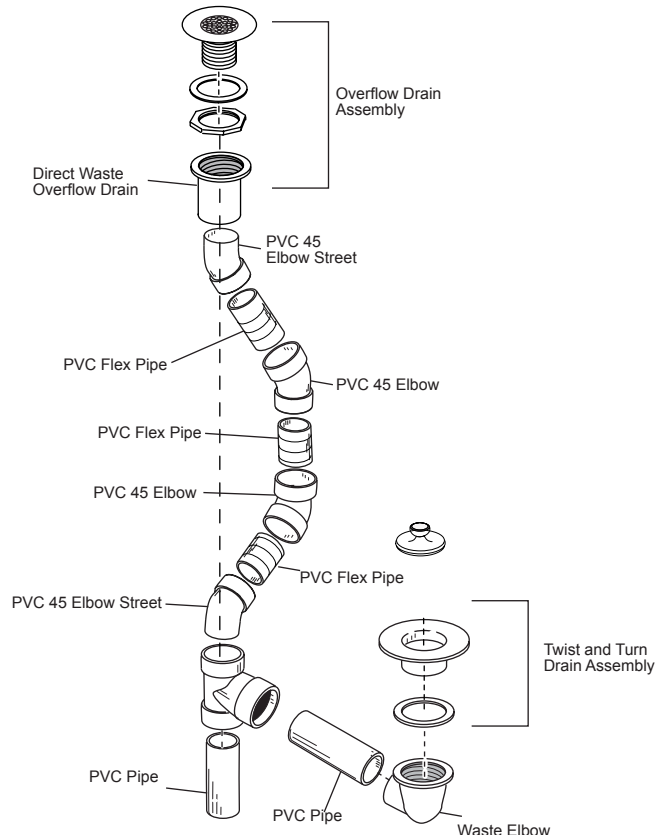
Watertight installation of the drain and overflow is the installer's responsibility. Drain leakage is excluded from the Jacuzzi Luxury Bath warranty of this product.

**OPTIONAL** - If the Fuzion® Wood Frame is not being used, please proceed to Step 2 in the Undermount Installation section on page 11.



**Fig. 4**

**Figure 4 - Overflow Installation**



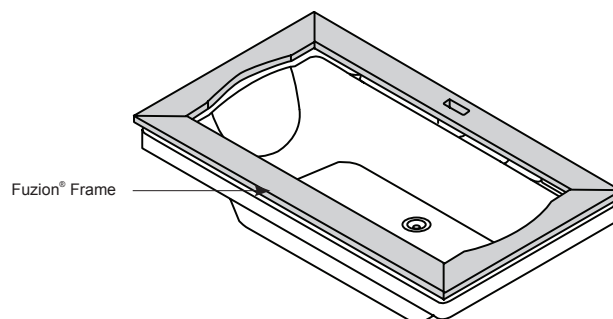


## Fuzion® Specific Material (Continued)

### Fuzion® Frame Installation



If you are installing a Fuzion® bathtub with accessory frame, please refer to the Fuzion® Frame Installation Guide (#GL44000) before proceeding any further. Complete the installation and assembly steps according to the Fuzion® Frame Installation Guide.



### Fuzion® Control Panel Installation



The following cutouts must be clear and free of any dirt or adhesive:

- Control panel cutout in the assembled wood frame
- Control panel cutout in the assembled counter
- Control panel cutout in the bathtub

1. Insert the wire connector into the back of the control panel (Figure 5).
2. Sparingly apply adhesive around the base of the control panel (Figure 6).
3. Thread the wire through the cutout and to the control box.
4. Orient control panel in the following manner: the logo will be on the right side of the J4 control panel when you are sitting in the bathtub (the power button will be on the right side of the J5 LCD control panel).
5. Lower the control panel into the cutout and press firmly to embed the adhesive (Figure 7).
6. Connect the wire to the control box.
7. Please proceed to Step 3 in the Drop-In Installation section on page 10.

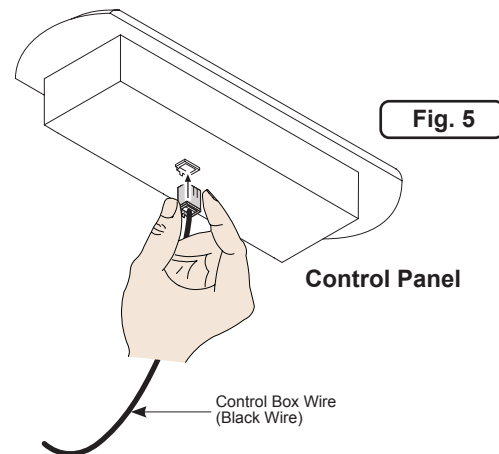


Fig. 5

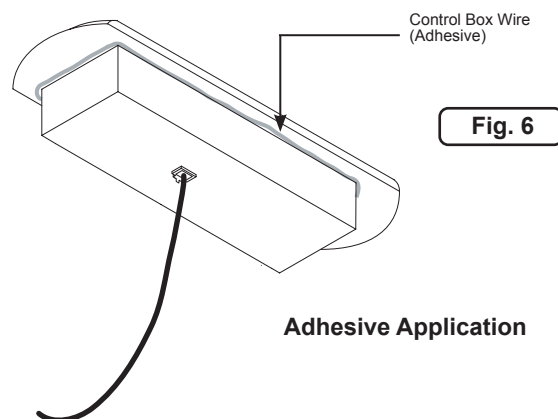


Fig. 6

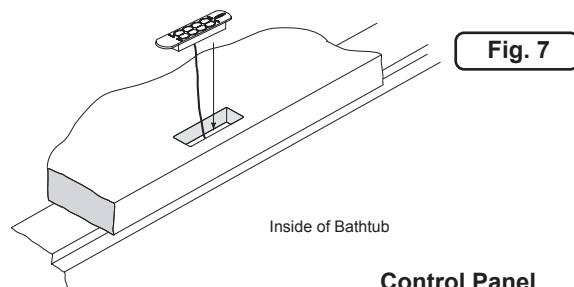
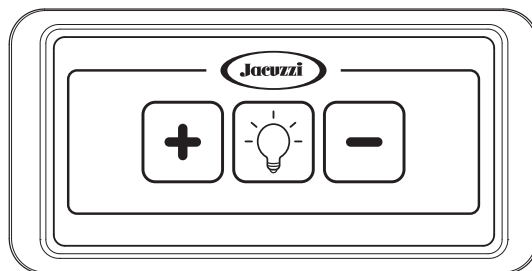


Fig. 7



## Chromatherapy Operation



### CHROMATHERAPY

- Press once to turn lights ON at white level 2.
- Press again to cycle colors.
- Press again to stop at the current color.
- Press again to restart the cycle.



### INCREASE TOGGLE

- Press to increase light intensity.
  - Press to turn ON lights at last color used from OFF.
- NOTE:** Default lighting color is white level 2.



### DECREASE TOGGLE

- Press to decrease light intensity all the way down to off.
- NOTE:** Default lighting color is white level 2.

If Chromatherapy fails to work:

- Reset the GFCI.
- Ensure the plug is fully in the outlet.
- Ensure the connectors to the control panel and control box are fully engaged in receptacles.
- Contact your electrician to ensure the proper wiring and power is being supplied to the GFCI.
- Contact Jacuzzi Luxury Bath if the above does not resolve the issue.

## Installation Procedures (All Models)



**DANGER: Risk of electric shock! Turn off the power supply to the GFCI protected circuit.**



Before you begin your installation, please read the following:

- Observe all local and building codes.
- Determine which tools will be used during the installation.
- Additional bathtub drain parts and plumbing are commercially available at plumbing and hardware stores.

1. Install drain/overflow according to the manufacturer's instructions. Refer also to the Technical Specifications Manual.



Watertight installation of the drain is the installer's responsibility. Drain leakage is excluded from the Jacuzzi Luxury Bath warranty of this product.

2. Install the faucet at this time (if applicable). It is recommended that the faucet be installed by a qualified plumber. See special notes on freestanding section for faucetry.



Proper installation of the spout plumbing and compliance with local codes are the responsibility of the installer. Jacuzzi Luxury Bath does not warrant connections of water supply fittings and piping, fill systems, or drain/overflow systems. Nor is it responsible for damage to the bathtub which may occur during installation.



A non-flammable protective barrier must be placed between the soldering work and the bathtub unit to prevent damage to the bathtub.

## Installation Procedures (Continued)

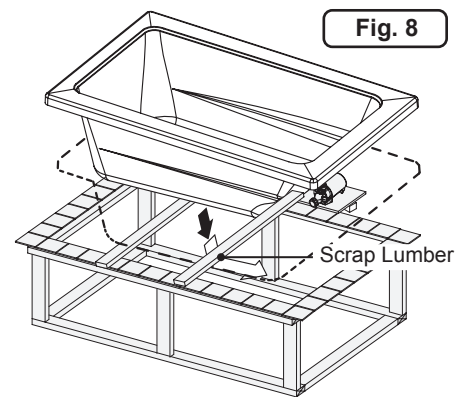
3. Sufficient clearance must be provided for access to service connections (pump/motor, controls, heater plumbing and electrical hook ups).
4. Bottom support materials: Casting plaster/plaster of paris (herein referred as foundation materials) are not necessary but its use is highly recommended for a firmer bottom support. In a bucket, mix foundation material. Place a large mound of plaster on the subfloor, in the approximate location of the tub bottom center. The mounds should be placed high enough so that when the tub is set, it will cause the plaster to displace and spread.

### Drop-in Installation

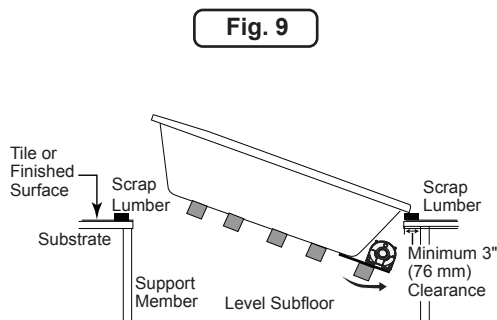
1. Prepare the cut-out hole for the bathtub using either the provided full scale template or the cut-out dimensions listed in the Technical Specifications Manual found on [www.jacuzzi.com/baths/support](http://www.jacuzzi.com/baths/support).

The template may show guides for more than one bathtub. Be certain to select the appropriate guidelines. If undermounting is an option, be careful to select the guidelines that apply to the installation that you are performing.

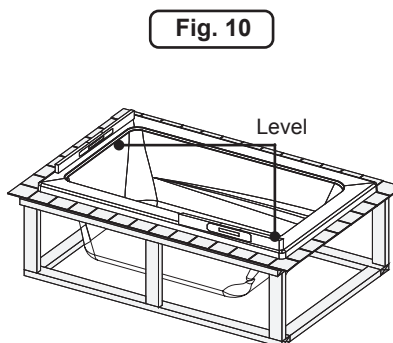
2. Complete all deck finish work and cover to protect from damage while placing the bathtub.
3. Place a piece of scrap lumber on each of the ends of the cutout – this will be used as a temporary support prior to lowering the bathtub fully into the opening (Figure 8).
4. Install the unit. For units equipped with a motor/pump and/or a blower, insert the motor/pump end first, lowering the bathtub into the opening (Figure 9).
5. The bathtub must be set level. To check, use a level on top of the ledges on both ends of tub and on top of threshold (Figure 10).
6. Turn on the power supply to the dedicated GFCI protected circuit and check system for operation.
7. Caulk around the perimeter of bathtub to seal the space between the rim and the finished deck (Figure 11).



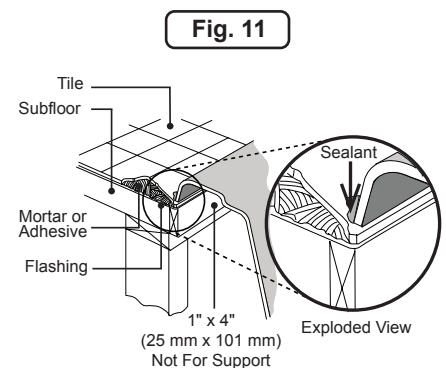
**Fig. 8**



**Fig. 9**



**Fig. 10**

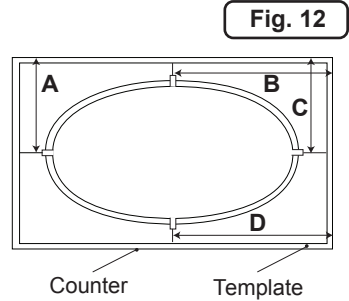


**Fig. 11**

**Installation Procedures (Continued)**

**Undermount Installation**

1. Inspect all fittings, plumbing, and control lines after inserting to ensure the components are not damaged or disconnected.
2. Align the bathtub and connect the drain.
3. Cut deck to fit using the undermount template provided as follows:
  - Position the template so that the desired undermount guidelines are aligned with the rim edge as shown.
  - Using a grease pencil, mark the center lines (denoted by  $\Phi$  on template). Remove template.
  - Measure the distance from the wall, or other fixed point, to the center lines (Figure 12).
4. Affix counter to bathtub. Clean any dirt or debris from the top of the bathtub rim.
5. Turn on the power supply to the dedicated GFCI-protected circuits and check system operation.

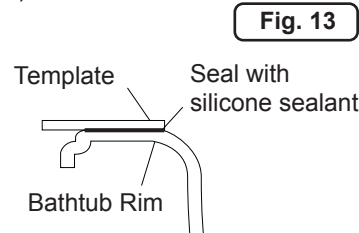


**Fig. 12**

6. Apply a continuous bed of silicone sealant around the entire seam between the counter and the bathtub rim. Allow sealant to cure according to manufacturer's instructions (Figure 13).



**CAUTION!** Do not use an adhesive or adhesive sealant to secure the bathtub to the deck. If maintenance or remodeling is required, the deck may have to be removed. Adhesive will permanently bond the bathtub to the deck.

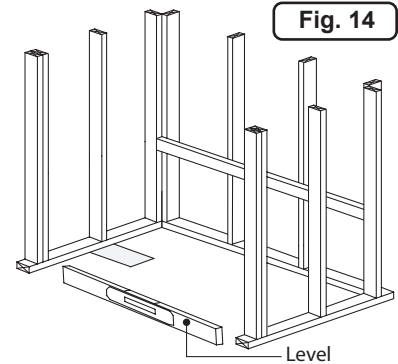


**Fig. 13**

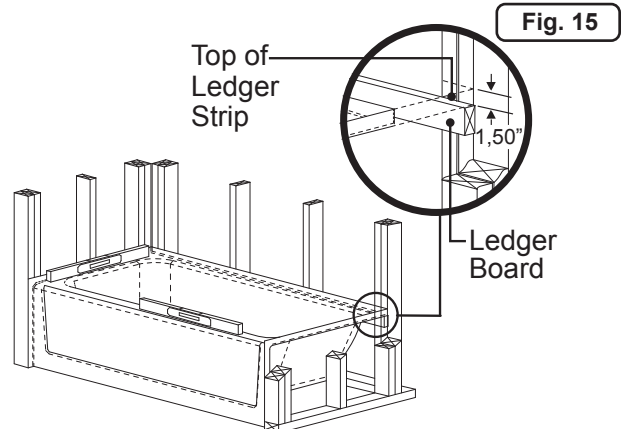
6. Apply a continuous bed of silicone sealant around the entire seam between the counter and the bathtub rim. Allow sealant to cure according to manufacturer's instructions (Figure 13).

**3-Wall Alcove Installation**

1. Make sure framed-in alcove is of proper size per Jacuzzi dimensions, square, and plumb; check floor for levelness (Figure 14). Rough-in should be kept to a minimum until the unit is on the job site. Measurements may vary +0 or -1/4" from original specifications.
2. Place the tub in the alcove with the front skirt firmly on the floor. The bathtub must be set level. To check, use a level on top of the ledges on both ends of tub and on top of dam (Figure 15).
3. After leveling tub, mark each stud (concrete or block wall) immediately above the back horizontal flange. Remove tub from alcove. Measure the distance between the top of the back horizontal flange and the bottom of the tub ledge approximately 1 1/2" (40 mm). Carefully mark this dimension on the back studs (or wall), below the first mark (Figure 15 - inset).
4. Install a Ledger Strip: Jacuzzi mandates the use of supports under the rear ledges of bathtubs to prevent shifting. Use horizontal ledger strip along the entire rear ledge or "I", "T" supports in at least two places in vertical position. Nail a 1" x 3" (25 mm x 75 mm) ledger strip immediately below the lower marks made on framing (Figure 15 - inset).
5. When fastening wood framing, pre-drill flanges with a 1/8" (5 mm) carbide bit and fasten using #8 x 1-1/2" (38 mm) self-tapping sheet metal screws; to concrete/block walls use 1" (25 mm) concrete nails with nailing tool or impact.



**Fig. 14**



**Fig. 15**

**NOTE:** Pre-drilling the nailing flanges is recommended to avoid cracking of the acrylic unit. Silicone the top of each fastener to insure water tightness.

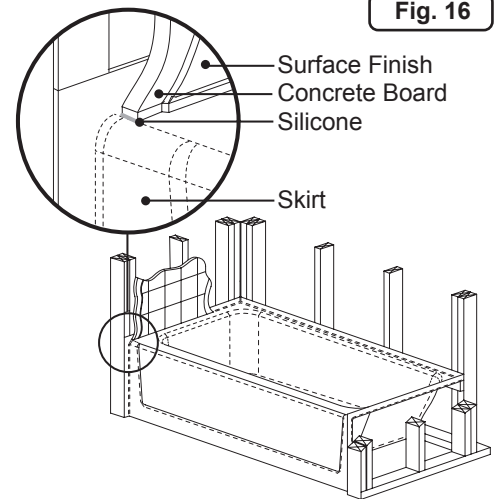
## Installation Procedures (Continued)

6. Spot-fasten the two bottom corners and the two top corners of the vertical side nailing flange.
7. Nail/fasten at each stud through the topside flanges at each stud 16" (405 mm) on center, working from both ends toward back center. Complete the fastening through vertical side flange, approximately 8" (205 mm) on center.
8. When other than cementitious backer board is to be used, furring strips as thick as nailing flanges are recommended for installation on studs above the installed unit to assure walls will be flush. 100% silicone sealant with mildew resistant properties should be applied between the backer board and horizontal surface of unit (Figure 16). Then finished wall materials can be applied.

**⚠ WARNING!** Finishing of other trades should be done in conformance with applicable codes and generally accepted building practices.

9. Turn on the power supply to the dedicated GFCI protected circuits and check system operation.
10. Caulk around the perimeter of bathtub to seal the space between the rim and the finished deck (Figure 16).

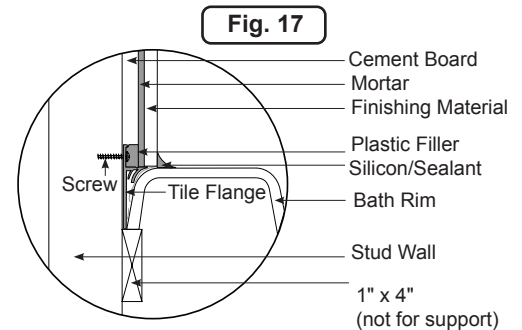
**⚠ CAUTION!** Apply a continuous bead of silicone sealant around the entire seam between the counter and the bathtub rim. Allow sealant to cure according to manufacturer's instructions.



**Fig. 16**

### For Optional Tile Flange

1. Install the flange (purchased separately) according to the instructions that are included with the kit. If the bathtub is equipped with an integrated flange, refer to 3-wall alcove installation on page 11.
2. Place the bathtub into the alcove. Screw the flange to the wood stud. It may be necessary to shim the unit to close up any gaps between the wood stud and the flange (Figure 17).



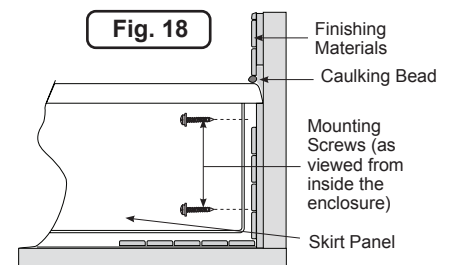
**Fig. 17**

### Bathtubs with Optional Skirt

1. Screw skirt flanges into wall studs, Figure 18.

**⚠** It may be necessary to shim the unit to close any gaps between wall studs and the flanges.

2. Complete finish work over skirt flange.
3. Caulk around the perimeter of the skirt to seal the space between the skirt and the finished deck.



**Fig. 18**

## Skirt Panel Installation (Select Skirt Models Only)

This skirt installation method is used for select bathtubs only. All other Comfort Collection bathtubs utilize magnets to secure skirt panels.

### To remove the skirt panel:

Grasp an edge of the skirt panel and pull to separate.

### To reinstall the skirt panel (Figure 19):

Align the six posts on the panel with the six receptor sockets on the tub and press into place.

### Skirt Panel Adjustment (Figure 20):

Insert a standard screwdriver into the receptor socket through the slot at the rear. Turn clockwise to tighten and counter-clockwise to loosen.

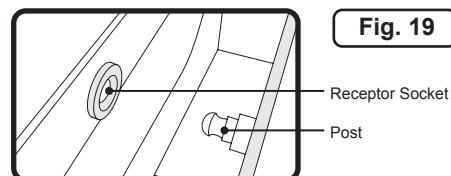


Fig. 19

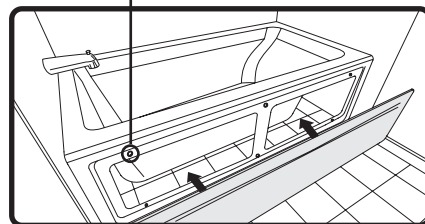
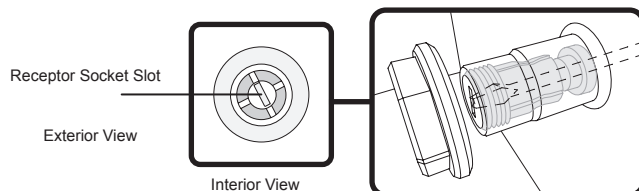


Fig. 20



## Cleanup After Installation

To avoid dulling and scratching the surface of the bathtub, never use abrasive cleaners. For most soiled surfaces, a mild liquid detergent and warm water is sufficient. The following is also recommended:

- Remove spilled plaster with a wood or plastic edge. Spots left by plaster or grout can be removed if lightly rubbed with liquid detergent on a damp cloth or sponge. Do not use metal scrapers, wire brushes or other metal tools, as they will damage the bathtub's surface.
- Paint, tar, or other difficult stains can be removed with Fantastik® or soapy water.
- Minor scratches which do not penetrate the color finish can be removed by lightly sanding with 600-grit wet/dry sandpaper. You can restore the glossy finish to the acrylic surface of the bathtub with a special compound, Meguiar's #10 Mirror Glaze. If that is not available, use automotive rubbing compound followed by an application of automotive paste wax.
- Major scratches and gouges which penetrate the acrylic surface will require refinishing. Call Jacuzzi Luxury Bath to find a service agent in your area.

## General Cleaning

**CAUTION!** Do not use oil or oil-based bathtub additives. Never use abrasive or caustic household cleaners on any Jacuzzi Luxury Bath product.

If you want to use any kind of bathtub additive, use only a small amount of low-foaming powder; the whirlpool action intensifies the foaming properties of soaps.

The use of certain bathtub oils, bubble baths, and bathtub additives may increase the level of accumulations of bathtub residue in the whirlpool system and may cause false reading of the water level sensors. If excess accumulations persist, you should discontinue use of these products.

To remove accumulations of bathtub residue from the whirlpool system, it is recommended that a bathtub be cleaned regularly. For best results, however, we recommend that you clean your whirlpool bathtub after each use using Systems Clean™, our exclusive two-part plumbing system cleaner made specifically for whirlpool bathtubs. Systems Clean™ is available through an authorized Jacuzzi Luxury Bath Distributor, by calling us direct at 1-800-288-4002, or may be purchased online at [www.jacuzzi.com](http://www.jacuzzi.com).

## General Maintenance

To clean your bathtub, simply use a mild, nonabrasive liquid detergent solution. You can protect and restore the gloss to a dulled acrylic surface by applying Meguiar's #10 Mirror Glaze, a product specifically designed for use on acrylic finishes. If Meguiar's is not available, use a fine grade automotive rubbing compound followed by an application of clear automotive paste wax.

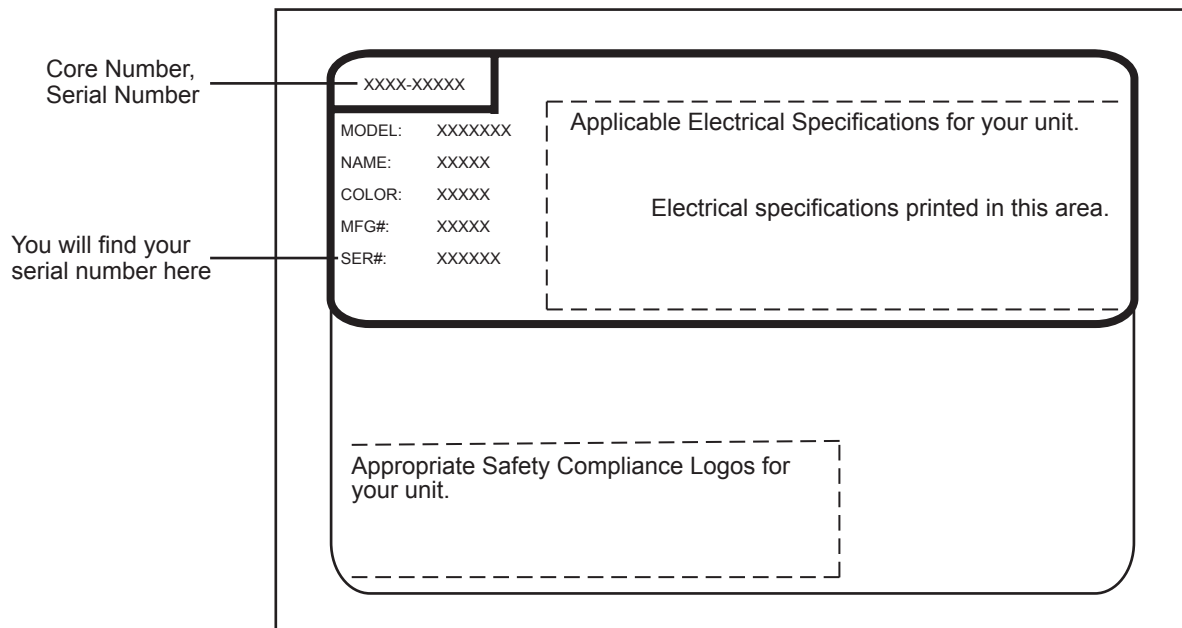
Minor scratches which do not penetrate the color finish can be removed by lightly sanding with 600-grit wet/dry sandpaper. Restore the gloss using Meguiar's Mirror Glaze or automotive paste wax. Major scratches and gouges which penetrate the acrylic surface will require refinishing. Call Jacuzzi Luxury Bath to find a service agent in your area.

## Authorized Service

If you need a referral for a service company near you, or need assistance with operation or maintenance-related questions, please call our Service Support Department at 1-800-288-4002. Visit our web site at <http://www.jacuzzi.com/> for products, services, and an online copy of these Installation and Operation Instructions.

When requesting service or technical assistance please have available both the model and serial number of your unit. This information can be obtained from the product registration card provided with your unit. If the card has been misplaced, this information can be obtained from the specification/serial number label on the unit itself. The label is located on the wall of the bathtub near the pump/motor.

### SPECIFICATION/SERIAL NUMBER LABEL



PRODUCT SPECIFICATIONS ARE SUBJECT TO CHANGE WITHOUT NOTICE.  
 USE TECHNICAL SPECIFICATIONS MANUAL SUPPLIED WITH PRODUCT.

Jacuzzi Luxury Bath has obtained applicable code (standards) listings generally found online at [www.jacuzzi.com/baths/support](http://www.jacuzzi.com/baths/support). It is the responsibility of the installer/owner to determine specific local code compliance prior to installation of the product. Jacuzzi Luxury Bath makes no representation or warranty regarding, and will not be responsible for any code compliance.

Jacuzzi Luxury Bath  
 14525 Monte Vista Avenue  
 Chino, California, 91710  
 1-800-288-4002  
[www.jacuzzi.com](http://www.jacuzzi.com)



Jacuzzi Luxury Bath  
14525 Monte Vista Avenue  
Chino, California 91710





WARRANTY REGISTRATION CARD

To complete your registration, visit our website at www.jacuzzi.com or fill out and mail this card to the address printed on the other side within thirty (30) days from date of purchase in order for this warranty to become effective.



Purchaser's Name \_\_\_\_\_

Purchaser's Address \_\_\_\_\_

City \_\_\_\_\_ State \_\_\_\_\_ Zip \_\_\_\_\_

Home Phone \_\_\_\_\_ Cell Phone: \_\_\_\_\_

Email: \_\_\_\_\_

Date of Purchase \_\_\_\_\_

Model Name \_\_\_\_\_

Serial Number \_\_\_\_\_

Dealer's Name \_\_\_\_\_

Dealer's Address \_\_\_\_\_

- 1. How did you first hear about this Jacuzzi® product?
( ) Advertisement ( ) Article in Magazine/Newspaper
( ) Visited Dealer/Plumbing Supplier ( ) Yellow Pages
( ) Builder/Plumber/Remodeler ( ) Decorator/Architect
( ) Visited Retailer/Home Center Store
( ) Word of Mouth . . . Friend/Relative/Acquaintance
( ) Other (Please Describe) \_\_\_\_\_

- 2. Who first gave you specific information about this product (specifications, prices, etc.)?
( ) Dealer/Plumbing Supplier ( ) Builder ( ) Remodeler
( ) Plumbing Contractor ( ) Retailer/Home Center Store
( ) Decorator/Architect ( ) Already Installed

- 3. What was the main reason for purchase?
( ) Styling ( ) Warranty Service ( ) Product Features
( ) Brand Name ( ) Price ( ) Hydrotherapy
( ) Home Resale \_\_\_\_\_
( ) Other \_\_\_\_\_

- 4. Who finally decided which product you would buy?
( ) Self ( ) Spouse ( ) Self and Spouse Together
( ) Other Family Member ( ) Designer/Architect
( ) Builder/Plumber/Remodeler ( ) Already Installed

- 5. Who installed? ( ) Already installed/New Home
( ) Contractor/Plumber when remodeling
( ) Self/Spouse when remodeling
( ) Other \_\_\_\_\_

6. What is the current market value of this property?
Please estimate \$ \_\_\_\_\_

7. What is the age of the head of the household? Years \_\_\_\_\_

- 8. What other manufacturers did you consider?
( ) Eljer ( ) Aquatic Bath ( ) Price Pfister ( ) Aqua Glass
( ) Kohler ( ) American Standard ( ) Sterling
( ) Other (Specify) \_\_\_\_\_

- 9. How long did you shop before purchasing unit?
( ) 1 day ( ) 2 months- 6 months
( ) 2-7 days ( ) 6 months- 1 year
( ) 1 week- 2 weeks ( ) 1 year- 2 years
( ) 2 weeks- 4 weeks ( ) +2 years
( ) 1 month- 2 months

10. Approximately how long have you lived in this home \_\_\_\_\_?

11. Please indicate, approximately, the total annual income of your household.

- ( ) Up to \$24,999 ( ) \$50,000 to \$74,999
( ) \$25,000 to \$29,999 ( ) \$75,000 to \$99,999
( ) \$30,000 to \$39,999 ( ) \$100,000 to \$149,999
( ) \$40,000 to \$49,999 ( ) \$150,000 and Above

12. Was your purchase process?
( ) Very easy ( ) Easy ( ) Difficult ( ) Very Difficult

13. How technically aware were you of the patented Jacuzzi® jet system prior to your purchase?
( ) Not aware ( ) Somewhat aware ( ) Very aware

