



REPLACEMENT PARTS LIST
Ultra Low NOx Residential & Light Duty
Commercial Gas
Atmospheric Vent High Input Models

“URG” & “ULG” Models



Includes Hydrojet®
Total Performance System

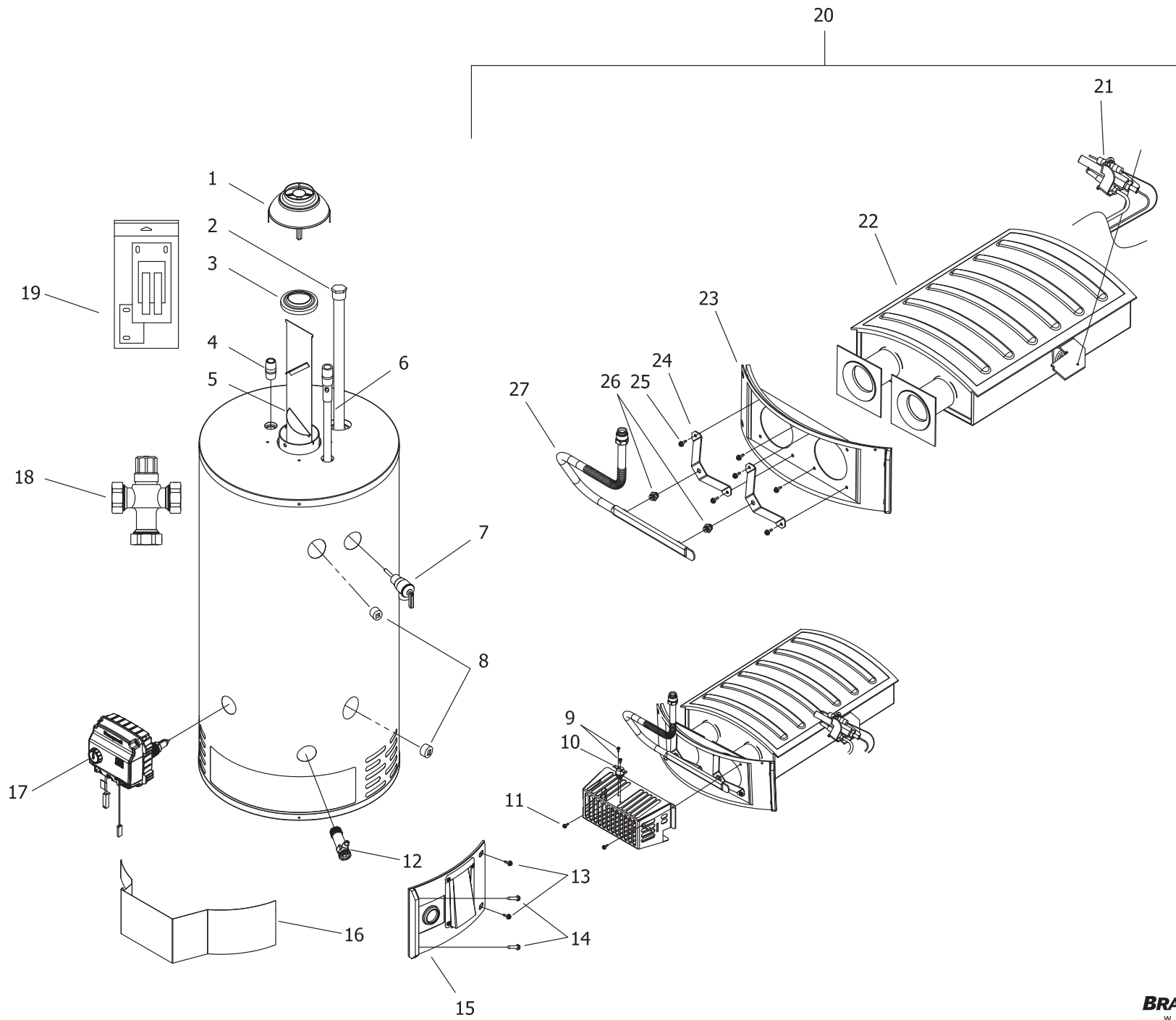
Effective: October, 2018
ECO 8188

**NOTE: BOTH MODEL AND SERIAL
NUMBERS ARE REQUIRED FOR
ORDERING REPLACEMENT PARTS**

Dimensions and specifications
subject to change without notice.



As required by the state of California Proposition 65.



Item	Description	Model	Model
		URG275H*N	ULG275H76*N
1	Draft Diverter	239-33081-03-20-01	239-33081-03-20-01
2	Hex head Sacrificial Anode (Magnesium) #	224-47782-08	224-47782-08
	Hex head Sacrificial Anode (Aluminum) #	224-47783-08	224-47783-08
	Hex head Sacrificial Anode (A420 Aluminum) #	224-49559-04	224-49559-04
3	Draft Diverter Adapter	239-49757-00	239-49757-00
4	Outlet Nipple	229-50053-02	229-50053-02
5	Baffle	239-51828-00	239-51828-00
6	Diptube (Polysulfone)	229-47040-01	229-47040-01
7	T&P Relief Valve	230-40594-02	230-40594-02
8	3/4 NPT Pipe Plug	239-11638-00	239-11638-00
9	#6-20 X 3/8 Screw	239-43967-00	239-43967-00
10	Resettable Thermal Switch	239-43676-03	239-43676-03
11	#8-18 X 1/2 Screw	239-32761-00	239-32761-00
12	Brass Drain Valve	265-42351-02	265-42351-02
13	#10-12 X 3/4 Screw	239-51828-00	239-51828-00
14	#8-18 X 1/2 Screw	239-32761-00	239-32761-00
15	Right Side Inner Door Assembly	239-49804-22	239-49804-22
16	Outer Door	239-49092-00	239-49092-00
17	Gas Control Direct Replacement Natural Gas	415-52913-02	415-52914-01
18	ASSE Approved Mixing Valve	239-51778-00	239-51778-00
19	Inner Door Gasket Kit	239-49987-00	239-49987-00
	Natural Gas Burner Assembly		
20	Nat Gas Burner Assembly Complete***	265-49907-01-38	265-49907-01-38
21	Nat. Gas Pilot Assembly**	233-49870-01	233-49870-01
22	Nat. Gas Burner **	228-47000-00	239-47513-00
23	Left Side Inner Door Assembly**	239-49557-00	239-49557-00
24	Orifice Mount Bracket (x2)	239-49090-00	239-49090-00
25	Screw-8-15 X 3/4 INHXWS Slot (x8)	239-44195-00	239-44195-00
26	Nat. Gas Main Burner Orifice 0 Ft. to 2,000 Ft. (x2) **	234-41034-38	234-41034-38
	Nat. Gas High Altitude 0 Ft. to 7000 Ft. (-475 model suffixes) (x2) **	234-41034-42	234-41034-42
	Nat. Gas High Altitude Kit 7,001 Ft. to 10,000 Ft.	265-51315-01-44	265-51315-01-44
27	Feedline	233-49091-00	233-49091-00

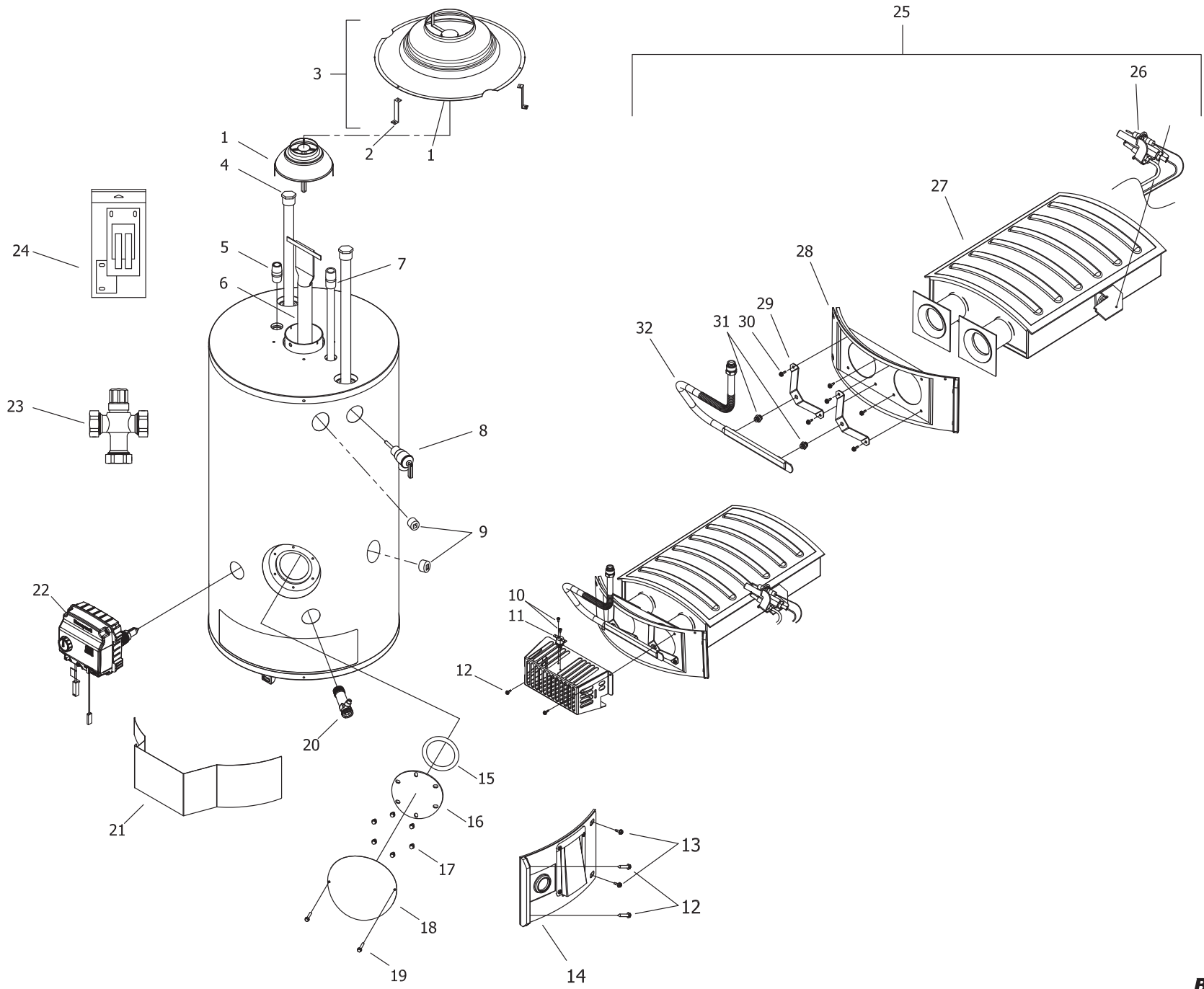
*Applies to all warranties

**Order with Item# 19

***Ordering a complete burner assembly may increase delivery time.

Please order the specific component required for the quickest delivery.

#Anode may need to be cut to length



Item	Description	Model	Model
		URG2100H*N	ULG2100H85*N
1	Draft Diverter [∩]	239-33081-01-20-16	239-33081-01-20-16
	Draft Diverter Only ^Σ	239-52089-00-16	239-52089-00-16
2	Draft Diverter Leg Kit Only ^Σ	243-43689-03	243-43689-03
3	Draft Diverter Complete with Leg Kit ^Σ	265-52089-00	265-52089-00
4	Hex head Sacrificial Anode (Magnesium) #	224-47782-08	224-47782-08
	Hex head Sacrificial Anode (Aluminum) #	224-38508-10	224-38508-10
	Hex head Sacrificial Anode (A420 Aluminum) #	224-49559-04	224-49559-04
5	Outlet Nipple	229-40913-03	229-40913-03
6	Flue Core	239-45676-00	239-45676-00
7	Diptube (Polysulfone)	229-46993-01	229-46993-01
8	T&P Relief Valve	230-40594-02	230-40594-02
9	3/4 NPT Pipe Plug	239-11638-00	239-11638-00
10	#6-20 X 3/8 Screw	239-43967-00	239-43967-00
11	Resettable Thermal Switch	239-43676-03	239-43676-03
12	#8-18 X 1/2 Screw	239-32761-00	239-32761-00
13	#10-12 X 3/4 Screw	239-44113-00	239-44113-00
14	Right Side Inner Door Assembly	239-49804-24	239-49804-24
15	Cleanout Gasket	205-18427-00	205-18427-00
16	Tank Cleanout Door	205-18428-00	205-18428-00
17	Tank Cleanout Door 5/16 X 1/2" hex head Screw	239-82166-00	239-82166-00
18	Cleanout Cover	243-20299-00	243-20299-00
19	Screw-8-15 X 3/4 INHXWS Slot	239-44195-00	239-44195-00
20	Brass Drain Valve	265-42351-02	265-42351-02
21	Outer Door	239-49092-00	239-49092-00
22	Gas Control Direct Replacement Natural Gas	415-52913-02	415-52913-02
23	ASSE Approved Mixing Valve	239-51778-00	239-51778-00
24	Inner Door Gasket Kit	239-49987-00	239-49987-00
	Natural Gas Burner Assembly		
25	Nat Gas Burner Assembly Complete***	265-49907-04-35	265-49907-04-35
26	Nat. Gas Pilot Assembly**	233-49870-02	233-49870-02
27	Nat. Gas Burner	228-49097-22	228-49079-22
28	Left Side Inner Door Assembly**	239-49558-00	239-49558-00
29	Orifice Mount Bracket (x2)	239-49090-00	239-49090-00
30	Orifice Mount #8-32 Screws (x8)	239-44195-00	239-44195-00
31	Nat. Gas Main Burner Orifice 0 Ft. to 2,000 Ft. (x2) **	234-41034-35	234-41034-35
	Nat. Gas High Altitude 0 Ft. to 7000 Ft. (-475 model suffixes) (x2) **	234-41034-39	234-41034-39
	Nat. Gas High Altitude Kit 7,001 Ft. to 10,000 Ft.	265-51315-02-42	265-51315-02-42
32	Feedline	233-49091-00	233-49091-00

*Applies to all warranties

**Order with Item# 18

***Ordering a complete burner assembly may increase delivery time.

Please order the specific component required for the quickest delivery.

#Anode may need to be cut to length

[∩] For serial numbers starting before "ND"

^Σ For serial numbers starting with or after "ND"



BRADFORD WHITE®

W A T E R H E A T E R S

Ambler, PA

For U.S. and Canada field service,
contact your professional installer or
local Bradford White sales representative.

Sales/800-523-2931

Technical Support/800-334-3393
Email/techserv@bradfordwhite.com

Warranty/800-531-2111
Email/warranty@bradfordwhite.com

Service Parts/800-538-2020
Email/Parts@bradfordwhite.com

International:
international@bradfordwhite.com



BRADFORD WHITE™

CANADA

Halton Hills, Ontario, Canada

Sales & Technical Support/866-690-0961
905-203-0600

Fax/905-636-0666

Email

Warranty/bwccwarranty@bradfordwhite.com
Technical Support/BWCCTech@bradfordwhite.com
Parts/orders@bradfordwhitecanada.com
Orders/ca.orders@bradfordwhite.com

www.bradfordwhite.com