



AGF Manufacturing Inc.

PURGENVENT™

Model 7900AAV & 7950ILV

Owner's Manual



Model 7900AAV

Model 7950ILV

Air Venting Valves



Air Venting Valves

for Wet Pipe Fire Sprinkler Systems

NFPA 13 code requires venting the excess air from wet fire sprinkler systems to help prevent corrosion.

Table of Contents

Recommended Installation Locations.....3

Installation Instructions

Model 7900AAV.....4

Model 7950ILV..... 4-5

Filling the System5

Cleaning the Vent Screen

Quick Clean.....5

Full Clean.....6

AGF Manufacturing Inc.
100 Quaker Lane • Malvern, PA 19355

Phone: 610-240-4900
Fax: 610-240-4906

www.agfmanufacturing.com

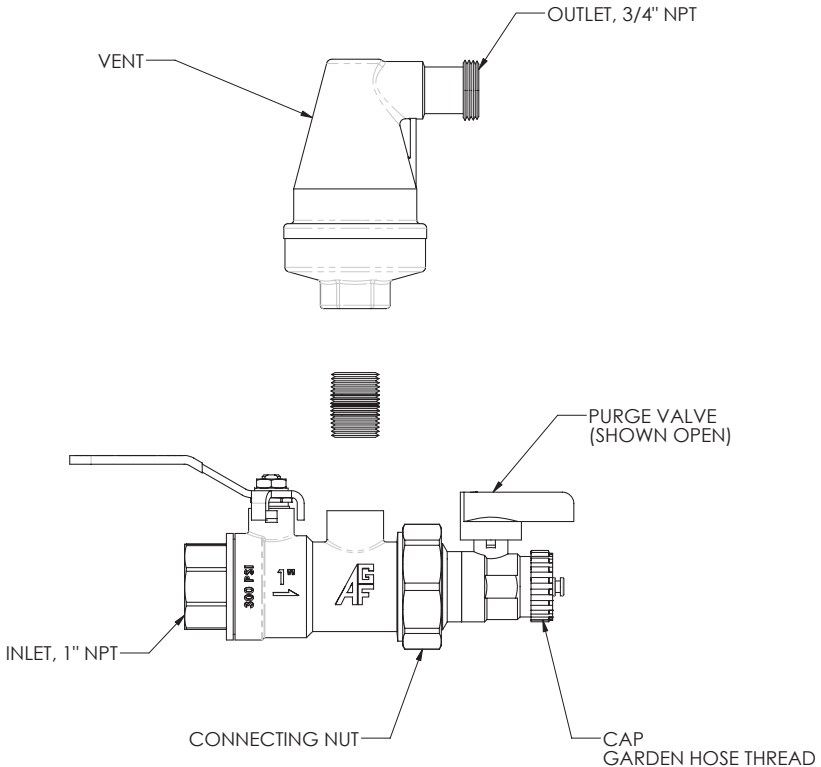
Recommended Installation Locations

M7900AAV Valve

- Near high points in system per NFPA 13 (2016). Examples are the top of a vertical riser, elevated branch lines, and under roof peaks.
- At the end of branch lines.
- Locations which have previously experienced internal pipe corrosion due to pockets of trapped air.

M7950ILV Valve

- Near the floor control assembly
-



Model 7900AAV

Minimum PSIG: 2.9 • Maximum PSIG: 175

Installation Instructions

M7900AAV Installation

1. Ensure vent will be vertical (plumb) when finished.
2. Remove plastic shipping plug from the ½” port of valve and discard.
3. Apply PTFE tape to the 1” pipe thread where the M7900AAV will be mounted.
4. Install valve using a wrench on the inlet flats. Ensure the valve’s ½” outlet port is oriented in the up position.
5. Apply PTFE tape to both halves of the provided nipple.
6. Install nipple into the valve’s outlet port.
7. Thread inlet of air vent onto nipple. Tighten using 1 ¼” wrench on flats; position as desired.

OPTIONAL:

- The purge valve may be reoriented as needed by loosening (not removing) the nut which connects it to the main M7900AAV valve. After the purge valve is rotated to the desired position, ensure the connecting nut is tight.
- The Mist Collection Assembly may be connected to the ¾” outlet of the vent.
- A standard drain line may be connected to the ¾” outlet of the vent.

M7950ILV Installation

1. Ensure vent will be vertical (plumb) when finished.
2. Create required cutout length for the pipe section.
3. Verify flow arrow direction of preassembled PURGE_NVENT pipe.
4. Install into sprinkler pipe as directed by code and AHJ.
5. Apply PTFE tape to both halves of the provided nipple.
6. Install nipple into the M7900AAV valve’s outlet port.
7. Thread inlet of air vent onto nipple. Tighten using 1 ¼” wrench on flats; position as desired.

M7950ILV Alternate Installation

1. Turn main pipe section 45°.
2. Install M7900AAV ensuring vent is positioned vertically.

OPTIONAL:

- The purge valve may be reoriented as needed by loosening (not removing) the nut which connects it to the main M7900AAV valve. After the purge valve is rotated to the desired position, ensure the connecting nut is tight.
- The Mist Collection Assembly may be connected to the ¾" outlet of the vent.
- A standard drain line may be connected to the ¾" outlet of the vent.

Filling the System

1. Open the M7900AAV valve handle to the "Vent" position.
2. Open the purge valve (small handle).
3. Remove the cap from the purge valve and connect a drain line (garden hose) to it's port.
4. Fill the system with water.
5. Monitor the discharge from the drain line and close the purge valve when a steady stream of water is achieved.
6. Disconnect the drain line and reinstall the cap onto the purge port.
7. Keep the M7900AAV valve handle in the "Vent" position to allow any residual air to escape the system through the automatic air vent.

Cleaning the Vent Screen

If the internal vent screen becomes clogged with debris it can be cleaned using one of the following methods:

Quick Clean

1. Close the M7900AAV valve.
2. Remove the cap from the purge valve and connect a drain (garden hose) to it's port.
3. Open the purge valve.
4. Flush the screen by quickly and repeatedly opening and closing the M7900AAV valve.
5. Close the M7900AAV valve and allow the residual water to drain out.
6. Close the purge valve.
7. Disconnect the drain hose and reinstall the cap.
8. Slowly open the M7900AAV valve to vent.

Full Cleaning

1. Close the M7900AAV valve.
2. If needed, place a bucket under the PURGE_NVENT to capture the small amount of residual water which will come out during the next steps.
3. Using a wrench, loosen the nut which connects the purge valve to the M7900AAV valve.
4. Remove the purge valve from the M7900AAV valve. Set the purge valve and it's flat gasket aside.
5. Remove the vent screen from the M7900AAV valve and clean as needed.
6. Place the vent screen back into the M7900AAV valve.
7. Reinstall the purge valve making sure the screen is centered and the flat gasket is properly captured between the two halves of the assembly. **DO NOT apply grease to the flat gasket.**
8. Position the purge valve handle as desired and tighten.
9. Make sure that the purge valve is closed.
10. Slowly open the M7900AAV valve to vent.
11. Check for leaks and tighten the connecting nut if needed.

Thank You For Using Our Products!
For our complete family of products, visit
us online at www.agfmanufacturing.com

CORRinSITE™

Corrosion Monitors

for Wet or Dry Pipe Fire Sprinkler Systems



M7700

M7800

www.corrinsite.com



AGF Manufacturing Inc.
100 Quaker Lane • Malvern, PA 19355

Phone: 610-240-4900

Fax: 610-240-4906

www.agfmanufacturing.com