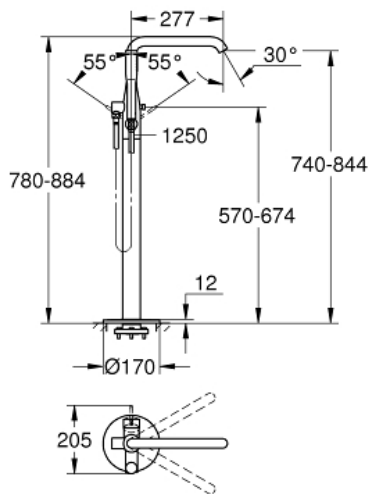
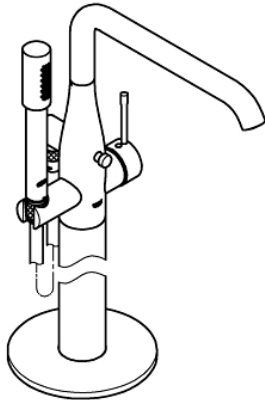


ESSENCE
Floor Standing Tub Filler
MODEL # 23491A0A

Pure Freude
an Wasser

GROHE



Product Description:
ESSENCE
Floor Standing Tub Filler

Standard Specification:

- Final installation set for:
- 45 984
- Requires Rough-In Set (29 038 001) (sold separately)
- **GROHE SilkMove** 1.4" (35 mm) ceramic cartridge
- With temperature limiter
- **GROHE StarLight** finish
- Automatic diverter: bath/shower
- Swivel tubular spout with flow control and stop limiter
- 10 7/8" (277 mm) spout reach
- 1/2" (13mm) Integrated non-return valve in the shower outlet
- With shower holder
- Hand shower (26 465)
- 49" (1250mm) SilverFlex shower hose (28 362 000)
- Check valve included to prevent backflow
- Min. recommended pressure: 15 psi (1.0 bar)

Applicable Codes & Standards:

- Energy Policy Act of 1992
- ASME A112.18.1/CSA B125.1
- ICC/ANSI A117.1
- CalGreen
- MASS

Color:

- 23491A0A