

ProVent Systems Sample Specification

1. Scope

Provide all components including ProVent Stack and ProVent Base fittings for a complete combination plumbing drainage and vent system in accordance with the ProVent Guide, Design and Usage Manual.

The ProVent manual was never intended to include all the mandatory plumbing code rules that have been taken for granted in this document but should be included wherever applicable.

Provide all other plumbing approved drainage fittings, sleeving, anchors, traps, adapters and connecting devices to complete the Drainage and Vent System.

Install the system in compliance with good practice plumbing rules including installation detail recommendations as shown on the engineer's drawings and ProVents Guide Manual.

2. Materials

ProVent Stack and Base Fittings made of Type I, PVC resin permanently marked with the UPC Shield in accordance with ASTM 2665 and IGC 67-2007 Standards.

ProVent 3" PVC Double Wye Fitting in accordance with ASTM D-2665 Standard fits in between the stack and a 12" rough water closet opening. The two side openings discharge above the centerline of the wye.

E-Z Flex PVC Couplings in accordance with CSA B-602 Standard for elastomeric couplings for allowance of vertical pipe expansion and contraction.

Standard Drainage Fittings: Shall comply with code approved DWV fitting standards.

3. Installation

The Plumbing Contractor shall be responsible for layouts, sleeving or coring for the pipe penetrations and for the complete installation of the single stack ProVent work.

Anchors and hangers: Comply with design details or with the penetration details that show approved pipe support capabilities.

Solvent Cementing: Use Primer and Cement conforming to ASTM D2564. Special Instructions should be used in extreme cold or hot weather conditions.

Test the system in accordance of the local plumbing code requirements. During freezing weather, special care must be taken when water testing to prevent damage.

Leave the finished system clean from dirt or foreign matter. Make final connections to plumbing fixtures without any leaks.



Most Widely Accepted and Trusted

ICC-ES Report

PMG-1286

ICC-ES | (800) 423-6587 | (562) 699-0543 | www.icc-es.org

Reissued 09/2018
This report is subject to renewal 08/2019

EVALUATION SUBJECT:

PROVENT SPECIALIZED FITTINGS

DIVISION:

22 00 00—PLUMBING

SECTION:

22 13 16—SANITARY WASTE AND VENT PIPING

Report Holder:

PROVENT SYSTEMS, INC.

Look for the ICC-ES marks of Conformity!



ICC-ES Evaluation Reports are not to be construed as representing aesthetics or any other attributes not specifically addressed, nor are they to be construed as an endorsement of the subject of the report or a recommendation for its use. There is no warranty by ICC Evaluation Service, LLC, express or implied, as to any finding or other matter in this report, or as to any product covered by the report. Copyright © 2018 ICC Evaluation Service, LLC. All rights reserved.



ICC-ES PMG Product Certificate

PMG-1286



Effective Date: September 2018

This listing is subject to re-examination in one year.

www.icc-es-pmg.org | (800) 423-6587 | (562) 699-0543 A Subsidiary of the International Code Council®

CSI: DIVISION: 22 00 00 – PLUMBING
Section: 22 13 16 – Sanitary Waste and Vent Piping

Product certification system:

The ICC-ES product certification system includes testing samples taken from the market or supplier's stock, or a combination of both, to verify compliance with applicable codes and standards. The system also involves factory inspections, and assessment and surveillance of the supplier's quality system.

Product: ProVent Specialized Fittings

Listee: ProVent Systems, Inc.
1355 Capital Circle
Lawrenceville, Georgia 30043
www.prosetsystems.com

Compliance with the following codes:

2018, 2015, 2012 and 2009 *International Plumbing Code® (IPC)*
2018, 2015, 2012 and 2009 *International Residential Code (IRC)*
2018, 2015, 2012 and 2009 *Uniform Plumbing Code® (UPC)**
2011 *Uniform Plumbing Code - India™ (UPC-I)**

**Uniform Plumbing Code is a copyrighted publication of the International Association of Plumbing and Mechanical Officials*

Compliance with the following standards:

IAPMO IGC 67-2014e1, Specialized ABS and PVC Fittings

Identification:

Fittings shall be permanently marked with the manufacturer's name or the manufacturer's registered trademark, model number, nominal pipe size, pipe material(s) for which the fitting is designed, and ICC-ES PMG listing mark.

Models:

ProVent Specialized Fittings

3" ProSeal PVC Closet Flange with built-in rubber seal
3" ProVent Stack fitting # P3542-S
4" ProVent Stack fitting # P4542-S
3" x 2" ProVent PVC Double Wye

Listings are not to be construed as representing aesthetics or any other attributes not specifically addressed, nor are they to be construed as an endorsement of the subject of the listing or a recommendation for its use. There is no warranty by ICC Evaluation Service, LLC, express or implied, as to any finding or other matter in this listing, or as to any product covered by the listing.

Copyright © 2018 ICC Evaluation Service, LLC. All rights reserved.



4" x 3" ProVent BaseVent fitting # P4542-B
3" x 2" ProVent BaseVent fitting # P3542-B
4" ProSet Sleeve # P4544H
3" ProSet Sleeve # P3544H

Conditions of Listing:

1. The fittings must be installed in accordance with this listing, the applicable code and the manufacturer's published installation instructions. The instructions within this listing must govern if there are any conflicts between the manufacturer's published instructions and this listing.
2. Fittings are manufactured in Spartanburg, South Carolina under a quality control program with annual inspections by ICC-ES.



Most Widely Accepted and Trusted

ICC-ES Report

PMG-1238

ICC-ES | (800) 423-6587 | (562) 699-0543 | www.icc-es.org

Reissued 03/2018
This report is subject to renewal 03/2019

EVALUATION SUBJECT:

EZ-FLEX COUPLINGS

DIVISION:

22 00 00—PLUMBING

SECTION:

22 13 16—SANITARY WASTE AND VENT PIPING

Report Holder:

PROVENT SYSTEMS, INC.

1355 CAPITAL CIRCLE
LAWRENCEVILLE, GA 30043

Look for the ICC-ES marks of Conformity!



ICC-ES Evaluation Reports are not to be construed as representing aesthetics or any other attributes not specifically addressed, nor are they to be construed as an endorsement of the subject of the report or a recommendation for its use. There is no warranty by ICC Evaluation Service, LLC, express or implied, as to any finding or other matter in this report, or as to any product covered by the report. Copyright © 2018 ICC Evaluation Service, LLC. All rights reserved.



Table 1 – EZ FLEX COUPLINGS

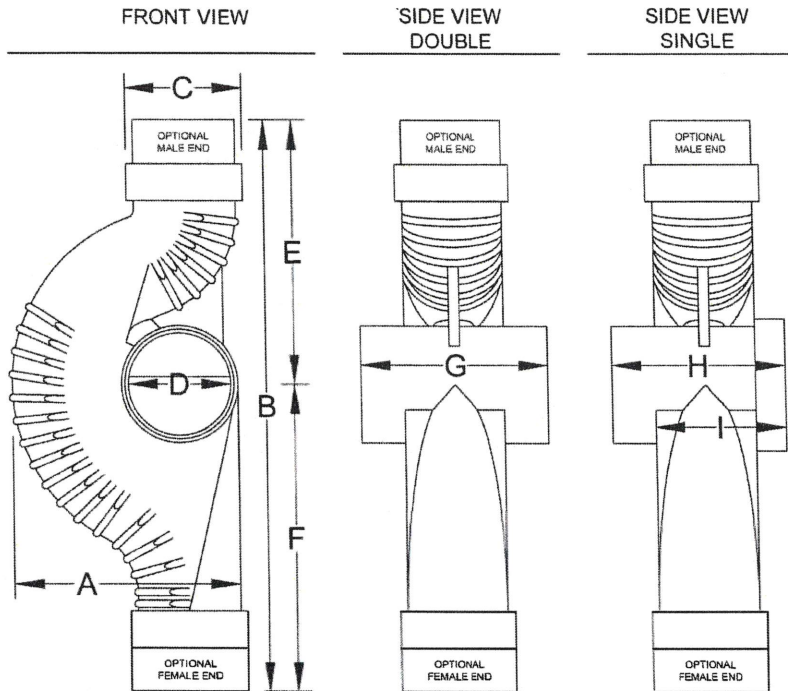
Part Number	Description
P25470	2" E-Z FLEX COUPLING
P35470	3" E-Z FLEX COUPLING
P35470-D	3" E-Z FLEX DOUBLE COUPLING
P45470	4" E-Z FLEX COUPLING
P45470-D	4" E-Z FLEX DOUBLE COUPLING
P65470	6" E-Z FLEX COUPLING

1 inch = 25.4 mm

Conditions of Listing:

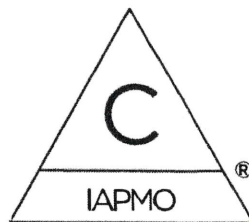
1. The EZ Flex Couplings must be installed in accordance with this listing, the applicable code and the manufacturer's published installation instructions. The instructions within this listing must govern if there are any conflicts between the manufacturer's published instructions and this listing.
2. Use of EZ Flex couplings above ground is subject to the approval of the code official.
3. Couplings are manufactured in Spartanburg, South Carolina under a quality control program with annual inspections by ICC-ES.

StackVent Dimensions

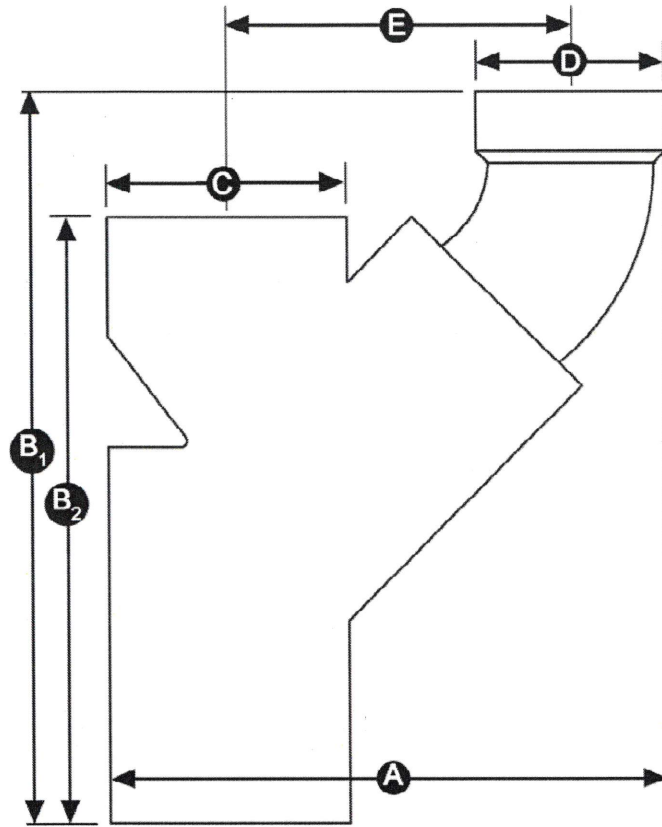


	A	B*	C	D	E*	F	G	H	I
3"	7-3/4"	20-1/4"	3-1/2"	3-1/2"	9"	11-1/4"	6-1/2"	5-3/4"	4-1/4"
4"	9-3/4"	24-3/4"	4-1/2"	4-1/2"	11"	13-3/4"	8"	7"	5-1/4"

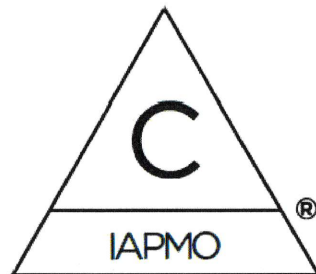
*Stack fitting can be ordered with optional mixed male or female ends
Stack fitting measurements stay the same using either type ends.



BaseVent Dimensions

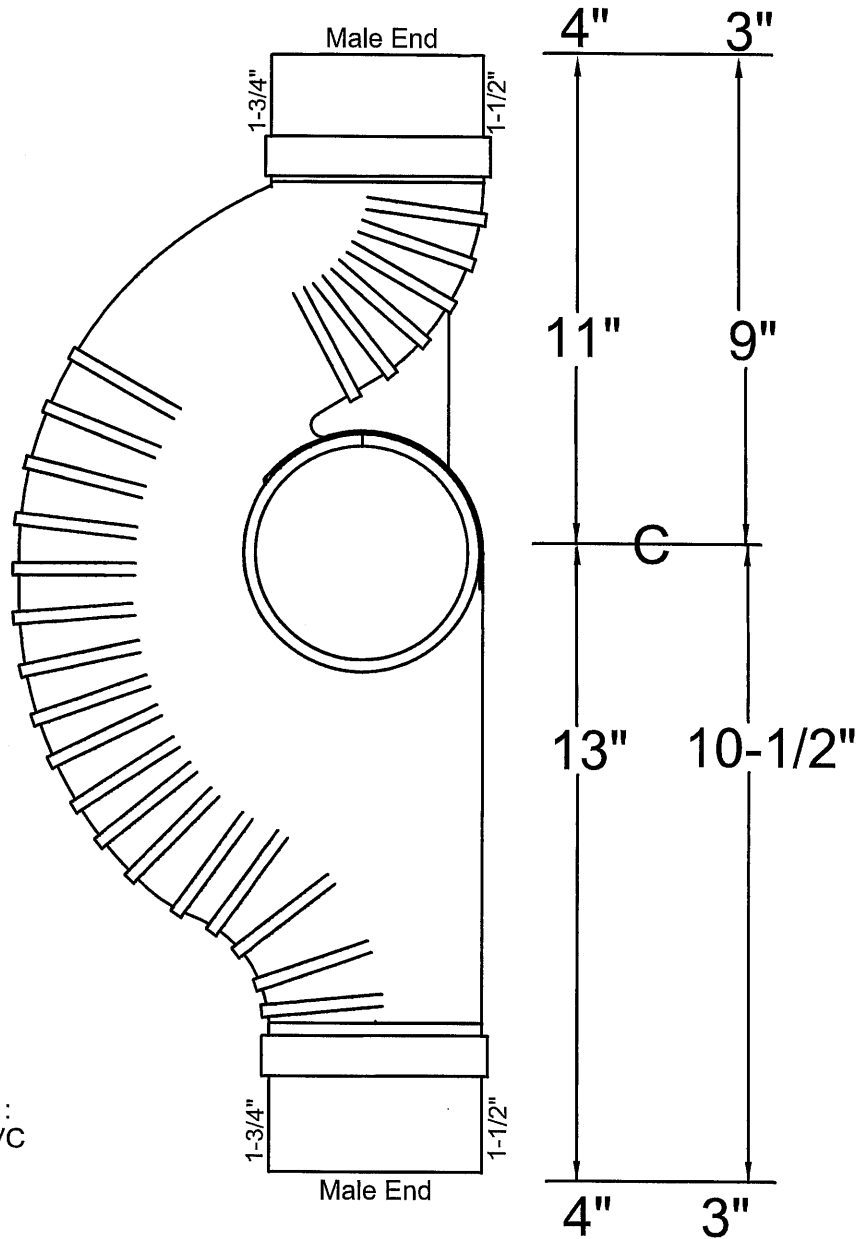


	A	B₁	B₂	C	D	E
3" x 2"	9-1/2"	11"	9-1/4"	4"	2-3/4"	6"
4" x 3"	11-1/2"	13-1/2"	11"	5"	4"	7"



NEW 4" & 3" PROVENT STACK OPTION

4" PART NO. P4542-MM 3" PART NO. P3542-MM



MATERIAL :
TYPE 1, PVC

IAPMO IGC67-2006

FUNCTION OF COMPONENT

This fitting reduces flow velocities in plumbing stacks and controls interior air pressures that prevents siphonage and blowouts of fixture traps.

This PVC fitting greatly reduces the water noises normally associated with plastic piping systems.

ProVent Systems

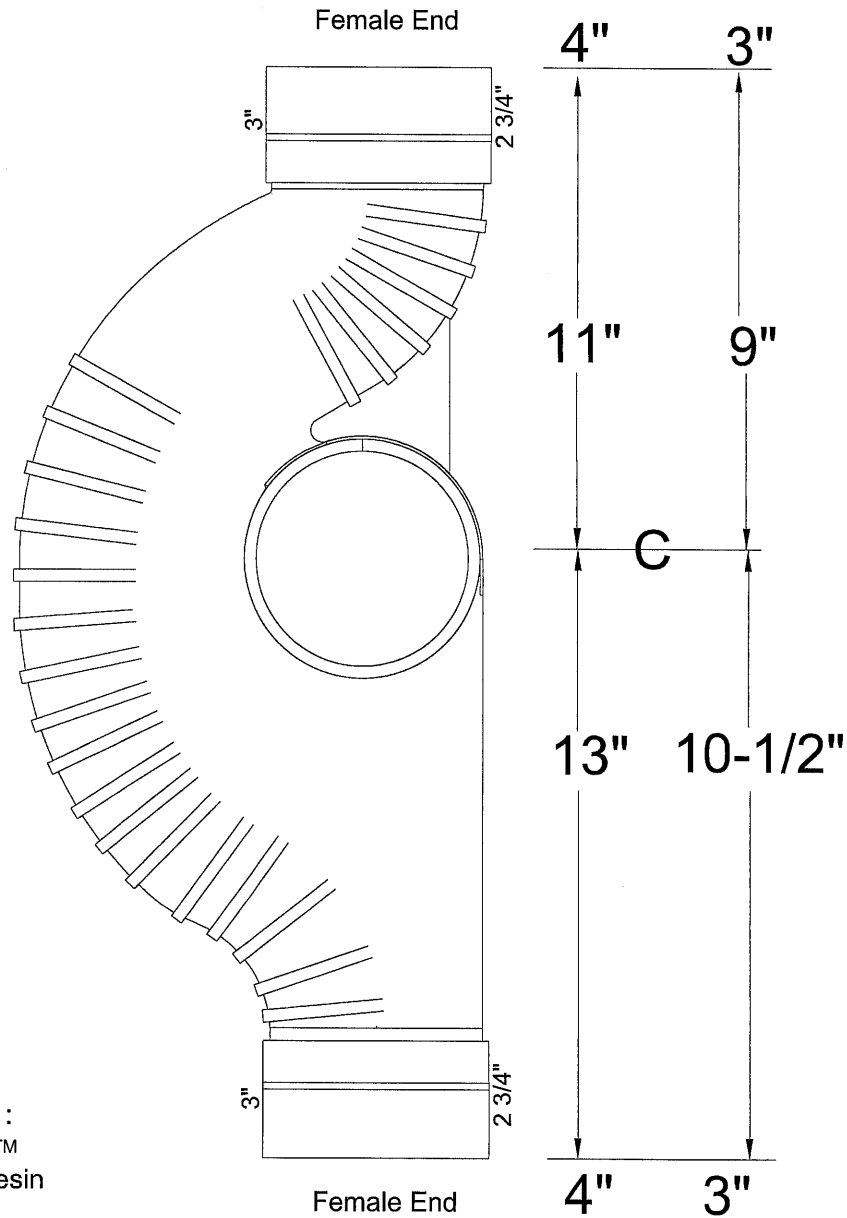
DATE :

4-27-15

DRG . NO .

P4542-MM

NEW 4" & 3" PROVENT STACK OPTION
4" PART NO. P4542-FF 3" PART NO. P3542-FF



MATERIAL :
ProTuff-42™
H.I. PVC Resin

IAPMO IGC67-2006

FUNCTION OF COMPONENT

This fitting reduces flow velocities in plumbing stacks and controls interior air pressures that prevents siphonage and blowouts of fixture traps.

This PVC fitting greatly reduces the water noises normally associated with plastic piping systems.

**ProVent
Systems**

DATE :

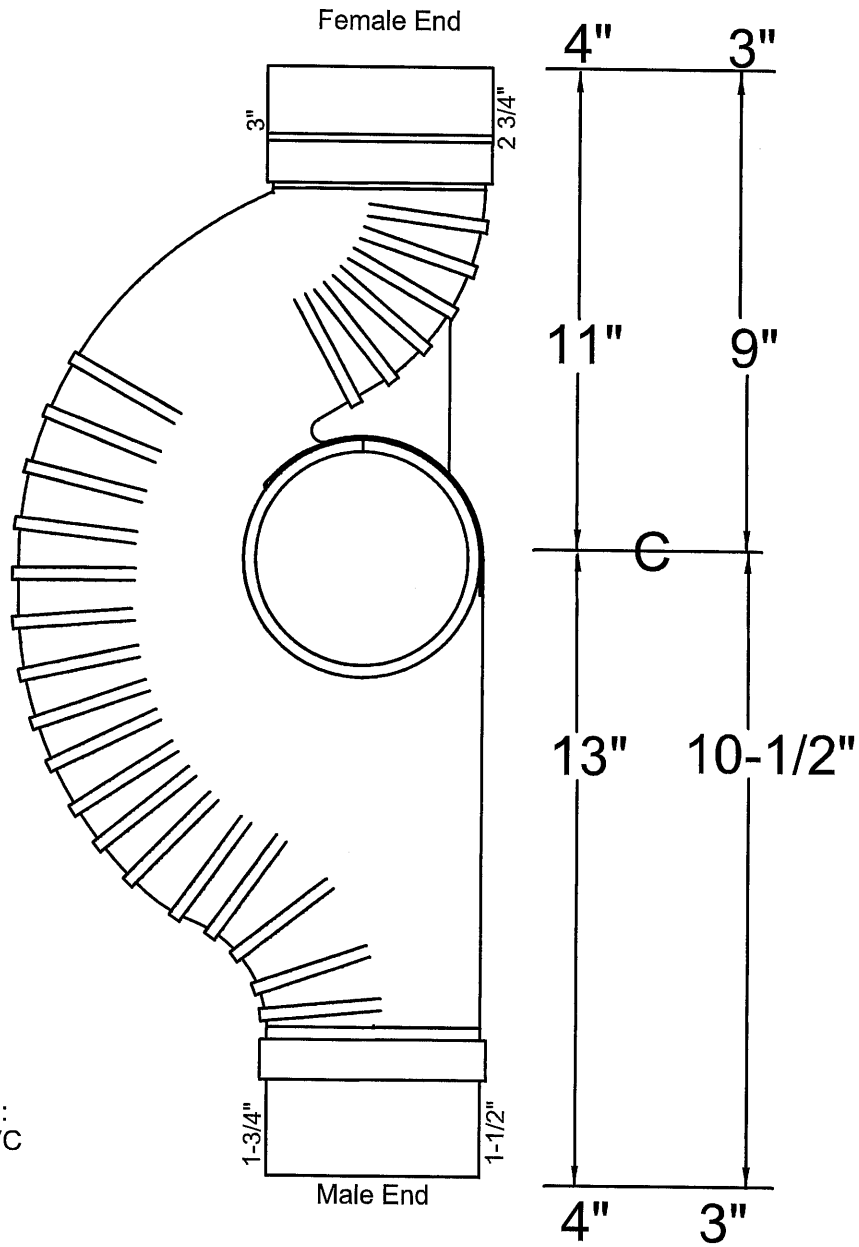
4-27-15

DRG . NO .

P4542-FF

NEW 4" & 3" PROVENT STACK OPTION

4" PART NO. P4542-FM 3" PART NO. P3542-FM



MATERIAL :
TYPE 1, PVC

IAPMO IGC67-2006

FUNCTION OF COMPONENT

This fitting reduces flow velocities in plumbing stacks and controls interior air pressures that prevents siphonage and blowouts of fixture traps.

This PVC fitting greatly reduces the water noises normally associated with plastic piping systems.

ProVent Systems

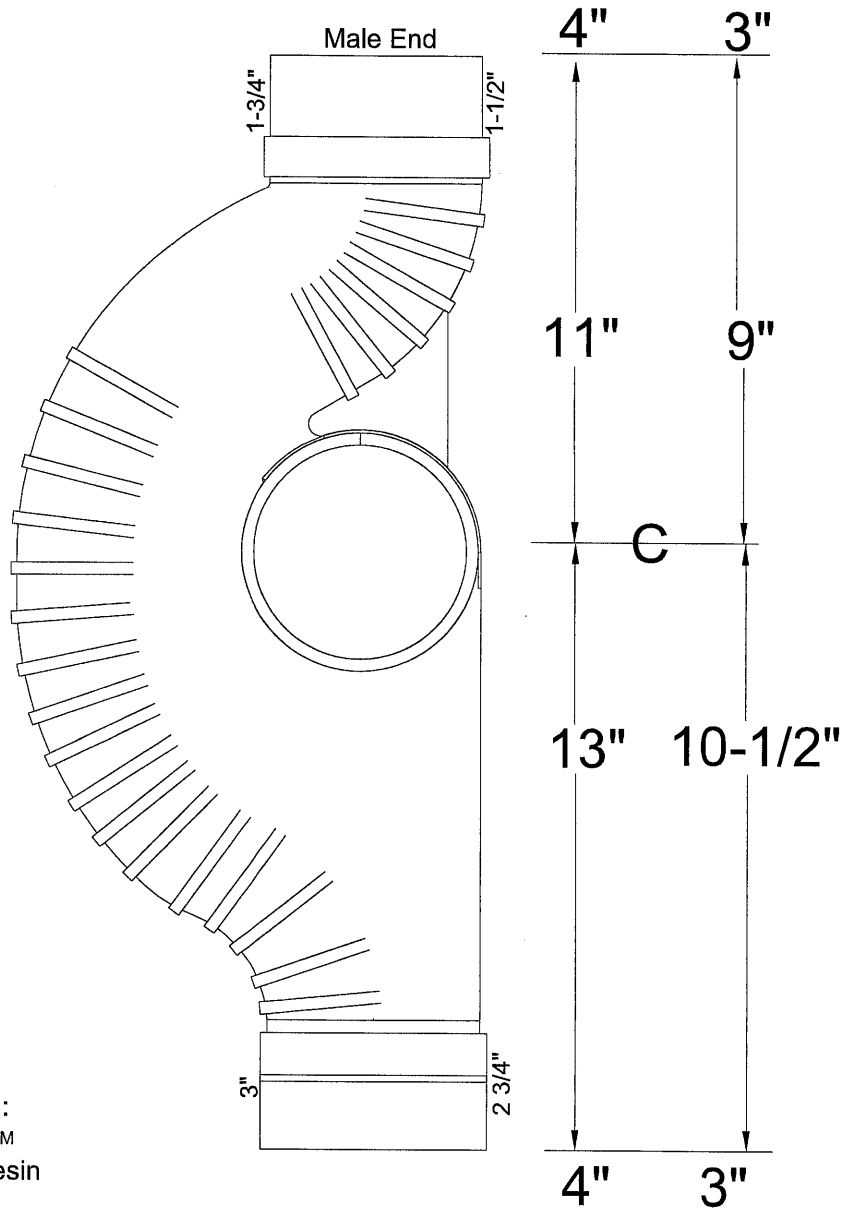
DATE :

4-27-15

DRG . NO .

P4542-FM

NEW 4" & 3" PROVENT STACK OPTION
4" PART NO. P4542-MF 3" PART NO. P3542-MF



MATERIAL :
 ProTuff-42™
 H.I. PVC Resin

IAPMO IGC67-2006

FUNCTION OF COMPONENT

This fitting reduces flow velocities in plumbing stacks and controls interior air pressures that prevents siphonage and blowouts of fixture traps.

This PVC fitting greatly reduces the water noises normally associated with plastic piping systems.

**ProVent
 Systems**

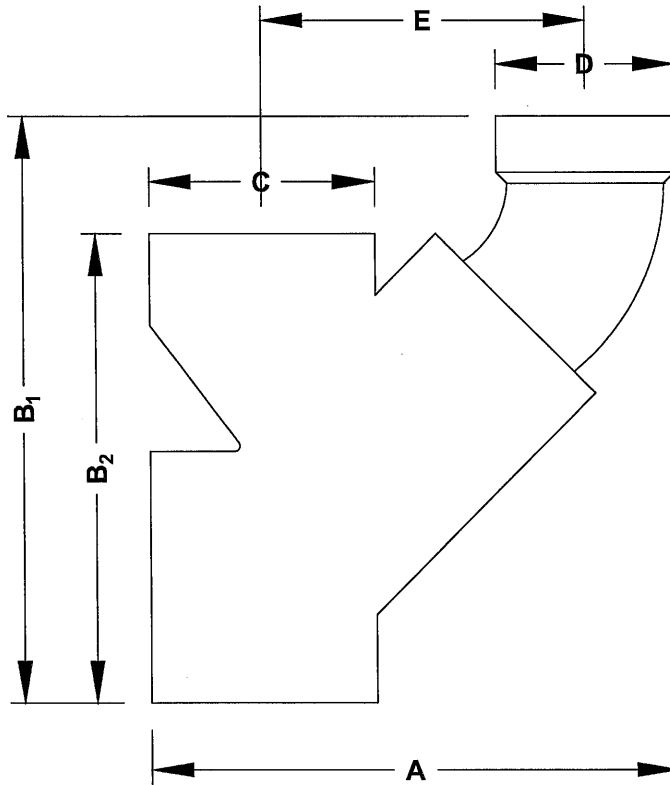
DATE :

4-27-15

DRG. NO.

P4542-MF

PROVENT BASE REVENT FITTING



SIZE	A	B ₁	B ₂	C	D	E
3" x 2"	9.50"	11.00"	9.25"	4.00"	2.75"	6.00"
4" x 3"	11.50"	13.50"	11.00"	5.00"	4.00"	7.00"

FUNCTION OF COMPONET

Equalizes pressures and lowers hydraulic jump during transition from vertical to horizontal flow.



PROSET[®]
SYSTEMS
FIRESTOP PENETRATOR™

DATE :

10-15-15

DRG . NO .

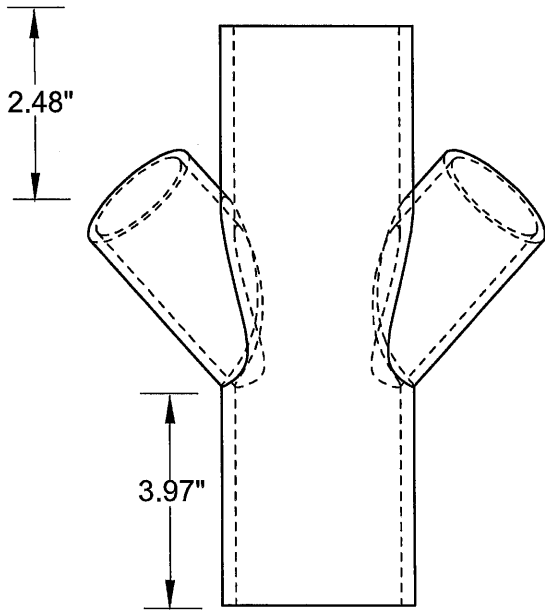
P-42-B

3" X 2" X 2" DOUBLE WYE

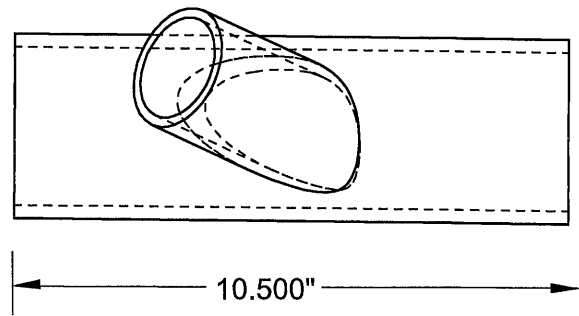
WITH TWO ABOVE CENTERLINE OPENINGS

ISOMETRIC

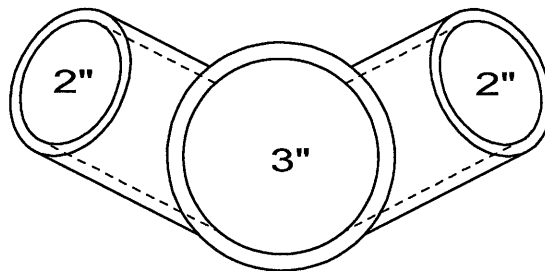
TOP



LEFT



FRONT



ALL 4 OPENINGS HAVE SPIGOT ENDS

MATERIAL :
TYPE I SCH. 40 PVC

FUNCTION OF COMPONENT

FITS IN BETWEEN STACK & 3" WATER CLOSET
TO PICK UP OPPOSITE SIDE FIXTURES

**ProVent
Systems**

DATE :

6-1-12

DRG . NO .

P35392

ProVent Order Form

Fill in the quantities for your order and fax it to: 770-339-1784 or Email to: customerservice@proventsystems.com



3" Single-Left Hand PN P3542-SL

Male-Male
 Male-Female
 Female-Male
 Female-Female



4" Single-Right Hand PN P4542-SR

Male-Male
 Male-Female
 Female-Male
 Female-Female



4" Single-Left Hand PN P4542-SL

Male-Male
 Male-Female
 Female-Male
 Female-Female



3" Single-Right Hand PN P3542-SR

Male-Male
 Male-Female
 Female-Male
 Female-Female



3" Double Stack PN P3542-SD

Male-Male
 Male-Female
 Female-Male
 Female-Female



4" Double Stack PN P4542-SD

Male-Male
 Male-Female
 Female-Male
 Female-Female

All Openings Caped P3542-X



3"X 2" Base PN P3542-B

All Openings Caped P4542-X



4"X 3" Base PN P4542-B

3"X2" Double Wye PN P 35392 **EZ-Mechanical Flex Coupling**



3"X 2"
 P35392



3" 4"
 P35470-D P45470-D

EZ-Water Tester



3" 4"
 P35470-WT P45470-WT-

EZ-Flex Coupling



3" 4"
 P35470 P45470