

Job: _____ Engineer: _____ Contractor: _____ Rep: _____

ITEM NO.	MODEL NO.	

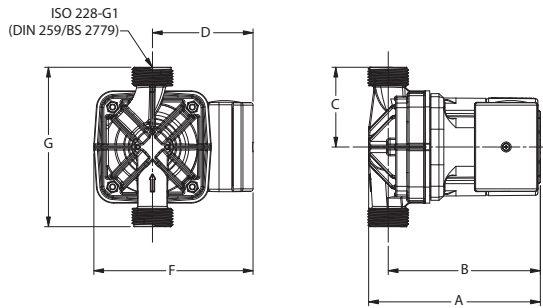
006e3 Specifications

- Maximum Shut-off Head: 13 feet
- Maximum Flow: 11 gpm
- Maximum Operating Pressure: 150 psi (10 bar)
- Maximum Water Temp: 203°F (95°C)
- Minimum Water Temp: 36°F (2°C)
- Electrical Specifications:
 - Voltage: 120V, 60 Hz
 - Single phase
 - Max. Operating Power: 44W
 - Max. AMP Rating: 0.54
- Equipped with a composite casing designed for open loop potable water systems and closed hydronic systems
- Not suitable for chilled water
- Taco circulator pumps are for indoor use only
- Acceptable for use with water or maximum of 50% water/glycol solution in closed hydronic systems

006e3 Materials of Construction

Casing: Composite
 Stator Housing:..... Composite
 Cartridge: Composite
 Impeller:..... Composite
 Shaft: Ceramic
 Bearings: Carbon
 Thrust Bearing: Ceramic
 O-Ring & Gaskets:..... EPDM

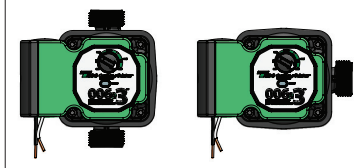
System Model Number HLPe-1



Pump Dimensions & Weights

Model Number (Part Number)	A		B		C		D		F		G		Ship Wt.	
	in.	mm	in.	mm	in.	mm	in.	mm	in.	mm	in.	mm	lbs.	Kg
006e3LC VM1212-DY1-UP2A01	5-1/2	140	4-7/8	124	2-5/8	67	3-1/4	82	5-1/8	130	5-1/8	130	3.5	1.6

Mounting Positions



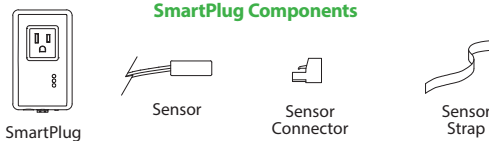
Electrical Data

Model	Volts	Hz	Ph	Max.Amps	Watts	RPM
All Models	120	60	1	.54	44	1440 - 3720
Motor Type	ECM, Permanent Magnet, Thermally Protected					

SmartPlug Specifications

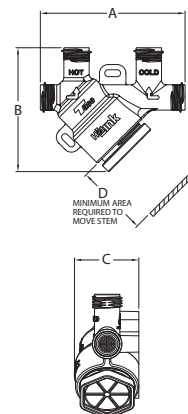
- Input: 120VAC, 50/60HZ, single phase, 6A
- Output: 120VAC, 50/60HZ, Single phase, 1/2 hp (limited to 6 FLA, 36LRA)
- Sensor: NTC Thermistor, 10K ohm @ 77°F, B= 3392
- Fuse: 125V, 6A, Medium Acting 5x20 mm glass, Littelfuse® p/n 0233006 mxp
- Ambient Operating Temp: 50-104°F, 10-40°C

SmartPlug Components



Hot-Link® Valve Dimensions & Weights:

Connection	A		B		C		D		Ship Wt.	
	in.	mm	in.	mm	in.	mm	in.	mm	Lbs.	Kg
1/2" MNPT	4	102	4-7/16	87	1-3/4	41	2-1/2	64	0.37	0.17

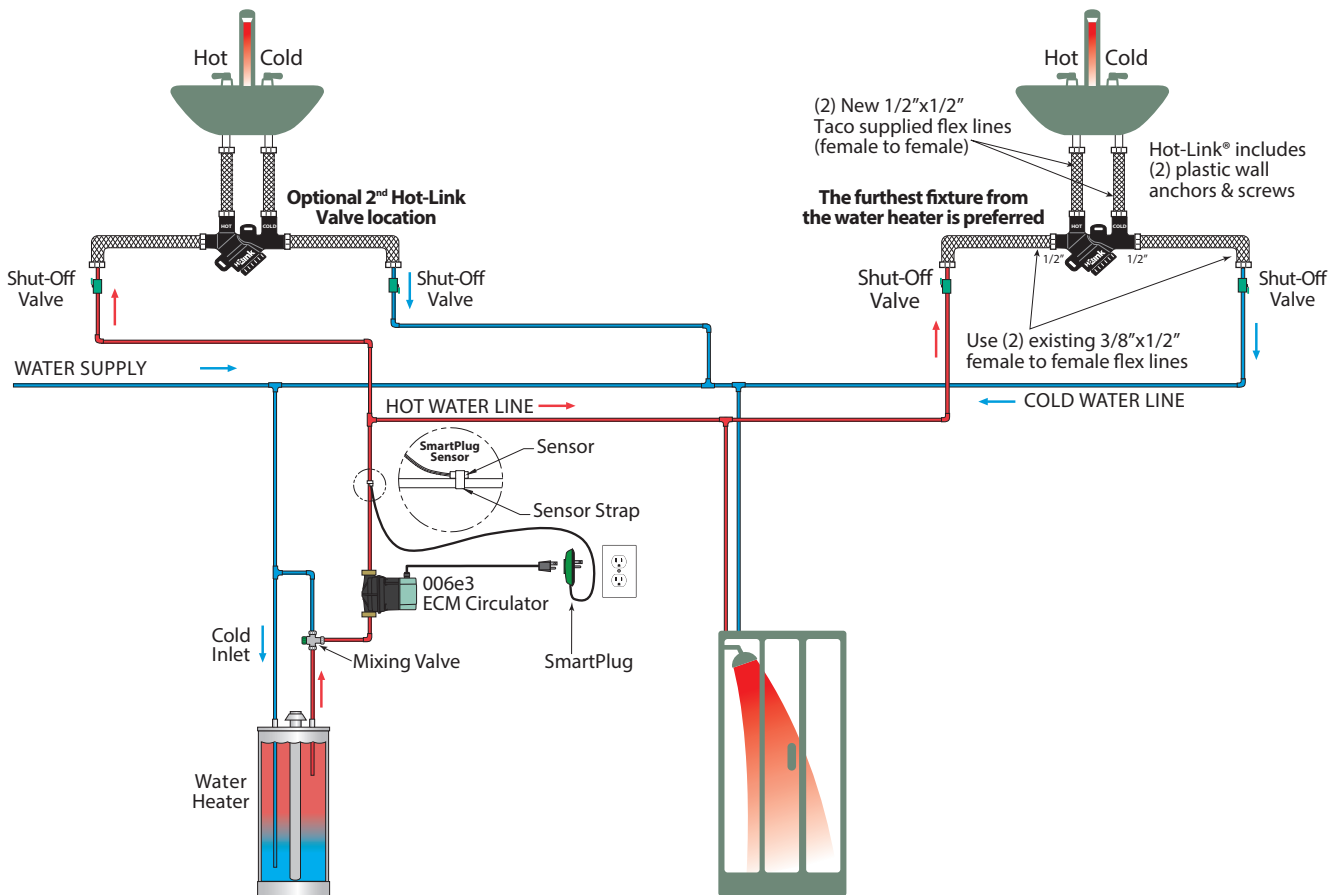


Hot-Link Valve Materials of Construction

Body..... Nylon
 Thermal Disk Actuator Bi-Metal
 O-Ring Seals..... EPDM
 Integral Flow Check (IFC):
 Body, Plunger Acetal
 O-Rings..... EPDM
 Screen 304 SS
 Stem..... Nylon
 Actuator Cartridge Stainless Steel
 Braided Flex Hoses..... Stainless Steel

Typical Installation

(FOR REFERENCE ONLY)



Taco Comfort Solutions® A Taco Family Company

Taco, Inc., 1160 Cranston Street, Cranston, RI 02920 | Tel: (401) 942-8000 | FAX: (401) 942-2360

Taco (Canada), Ltd., 8450 Lawson Road, Suite #3, Milton, Ontario L9T 0J8 | Tel: (905) 564-9422 | FAX: (905) 564-9436

Visit our web site: www.TacoComfort.com | Printed in USA | ©2018 Taco, Inc.

