

IP16 INSTALLATION



NOTE: The position of the indicator post target must be set to coincide with the position of the valve. Failure to coordinate these positions can result in inaccurate valve position indication or may render the valve position indication mechanism inoperable.

The installation instructions below are written for a counterclockwise opening (open-left) gate valve. For a clockwise opening (open-right) gate valve, the position of the “OPEN” and “SHUT” target plates are reversed such that the “SHUT” target plate will be on the upper position and the “OPEN” target plate will be positioned beside the appropriate valve size tab as noted below.

Installation

1. The IP16 Indicator Post is factory-set with the “SHUT” Target Plate (IP-16-15) positioned as shown in the following table. When the Indicator Post is mounted to the sizes listed in the table, skip down to instruction item 6.

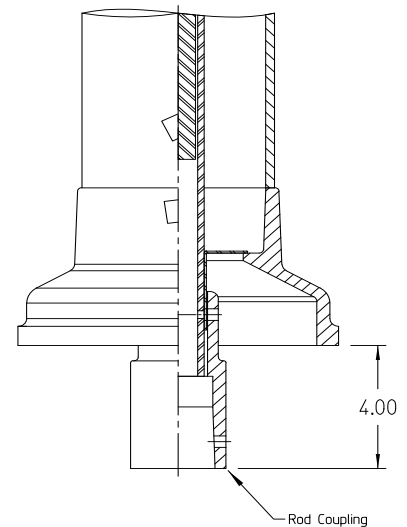
Factory-Set Target Positions	
IP16 Model	Post Indicator Valve Size
A	6-inch
B	16-inch
C	24-inch

When the Indicator Post is mounted to valve sizes other than those listed in the table, follow the instructions below to remove the Head (IP-16-5) and adjust the “SHUT” Target Plate (IP-16-15).

2. To remove the head (IP-16-5), remove the Operating Wrench (IP-16-2), the eyebolt (IP-16-3) and hex-head bolt (IP-16-9). Using a screwdriver, remove one of the Screws (IP-16-17), located on top of the head (IP-16-5) and adjacent to the Operating Stem Nut (IP-16-1) and loosen the other screw (IP-16-17). Spread the Stuffing Box clips (IP-16-23) apart. Note the overlapping arrangement of the clips for proper re-assembly. Gently lift the Head (IP-16-5) to remove.
3. Locate the desired gate valve size tab on the side of the Target Carrier (IP-16-24), loosen the “SHUT” target plate fastening Screws (IP-16-17) and reposition both “SHUT” Target Plates (IP-16-15) to the center of the desired gate valve size tab and then re-tighten the Screws. Do not rotate the Target Carrier Nut (IP-16-13) on the Operating Stem Nut (IP-16-1) to maintain the factory-set position of Target Carrier (IP-16-24).
4. Apply lubricating oil to the O-ring (IP-16-33) at the top of the Operating Stem Nut (IP-16-1). Place the Head (IP-16-5) onto the post and re-assemble the Stuffing Box clips (IP-16-23) into the groove on the Operating Stem Nut (IP-16-5) and tighten the Screws (IP-16-17). Fasten the Head (IP-16-5) to the Upper Barrel (IP-16-29) by threading and tightening the Eye Bolt (IP-16-3) and Hex Head Bolt (IP-16-9). Make sure the Eye Bolt (IP-16-3) is fastened in the bolt hole 90 degrees from the Target Plate sight windows. “OPEN” targets centered in the sight windows of the head. If not, turn the operating nut until the “OPEN” targets are centered in the sight window.
5. Verify that the “OPEN” Target Plates (IP-16-14) are centered in the sight windows of the Head (IP-16-5). If they are not, turn the Operating Stem Nut (IP-16-1) until the “OPEN” Target Plates (IP-16-14) are centered in the sight window.
6. Open the gate valve fully to match the OPEN indication.
7. Pin the Rod Coupling (IP-16-11) of the IP16 Indicator Post to the 2” wrench nut on the gate valve using the Cotter Pin (IP-16-12) provided.
8. Mount the IP16 Indicator Post to the post indicator valve (PIV) plate on the gate valve.
9. Close the gate valve completely to verify that the “SHUT” Target Plate (IP-16-15) displays properly in the sight window.
10. Adjust the IP16 Indicator Post height to accommodate the trench depth by loosening the square head Set Screws (IP-16-8) located below the BURY line on the Upper Barrel (IP-16-29). Once the Indicator Post is adjusted to the proper length, tighten the Set Screws on the Upper Barrel (IP-16-29) to secure the barrels together.

NOTE for OPEN RIGHT Indicator Post:

The instructions on front side of tag are written for a counterclockwise opening (open left) gate valve. For a clockwise opening (open right) gate valve, the position of the OPEN and SHUT target plates are reversed such that the SHUT target plate will be in the upper position and the OPEN target plate will be positioned beside the appropriate valve size tab as noted.



The IP 16 Indicator post does not require disassembly to connect the rod coupling to the gate valve. The IP 16 post rod coupling extends approximately 4 inches below the base, as shown, to allow for an easy connection to the valve wrench nut.

8013668