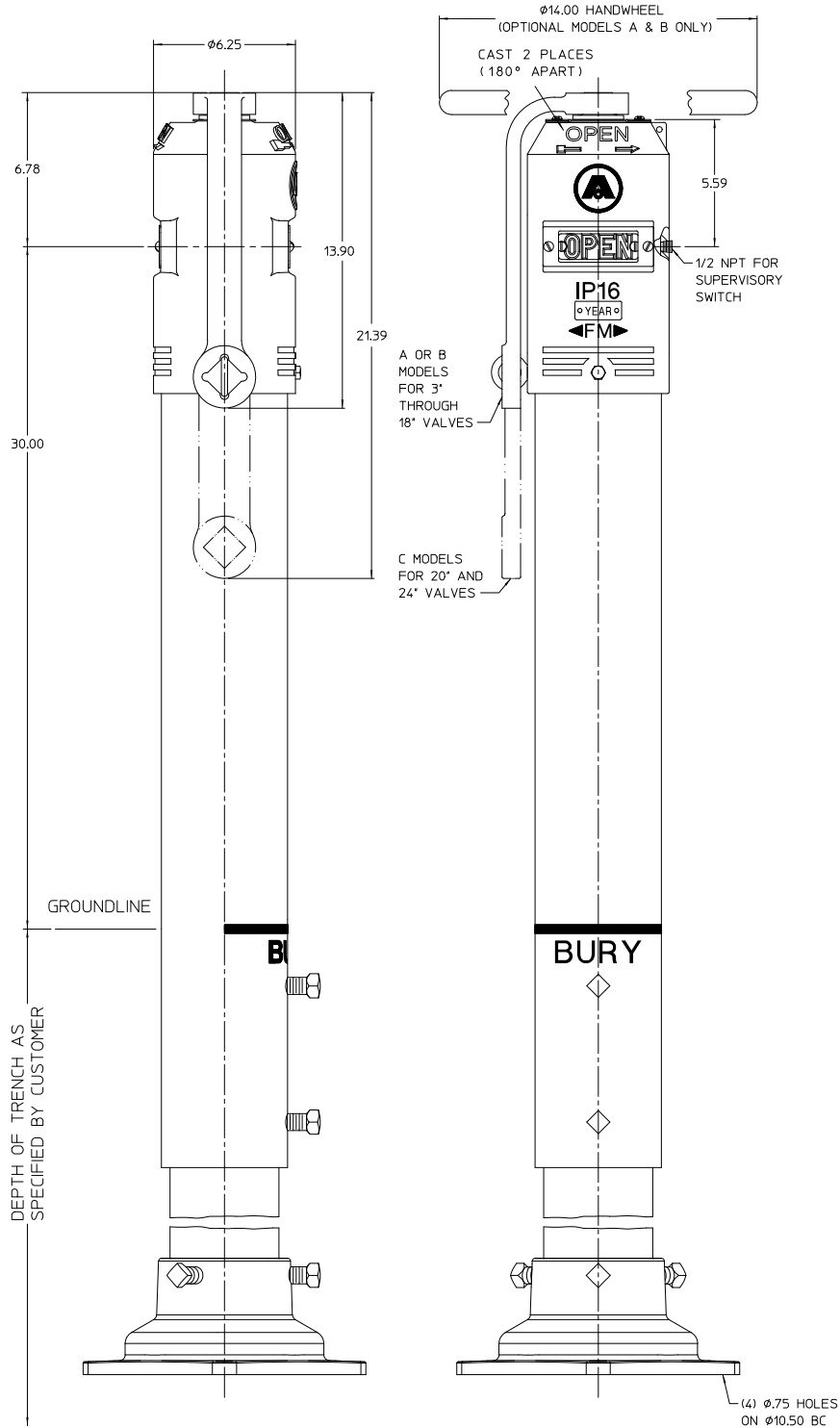


AMERICAN Flow Control Submittal Information

IP16 INDICATOR POST



IL4444

NOTE:
1. Listed by UL LLC and Approved by FM Approvals.



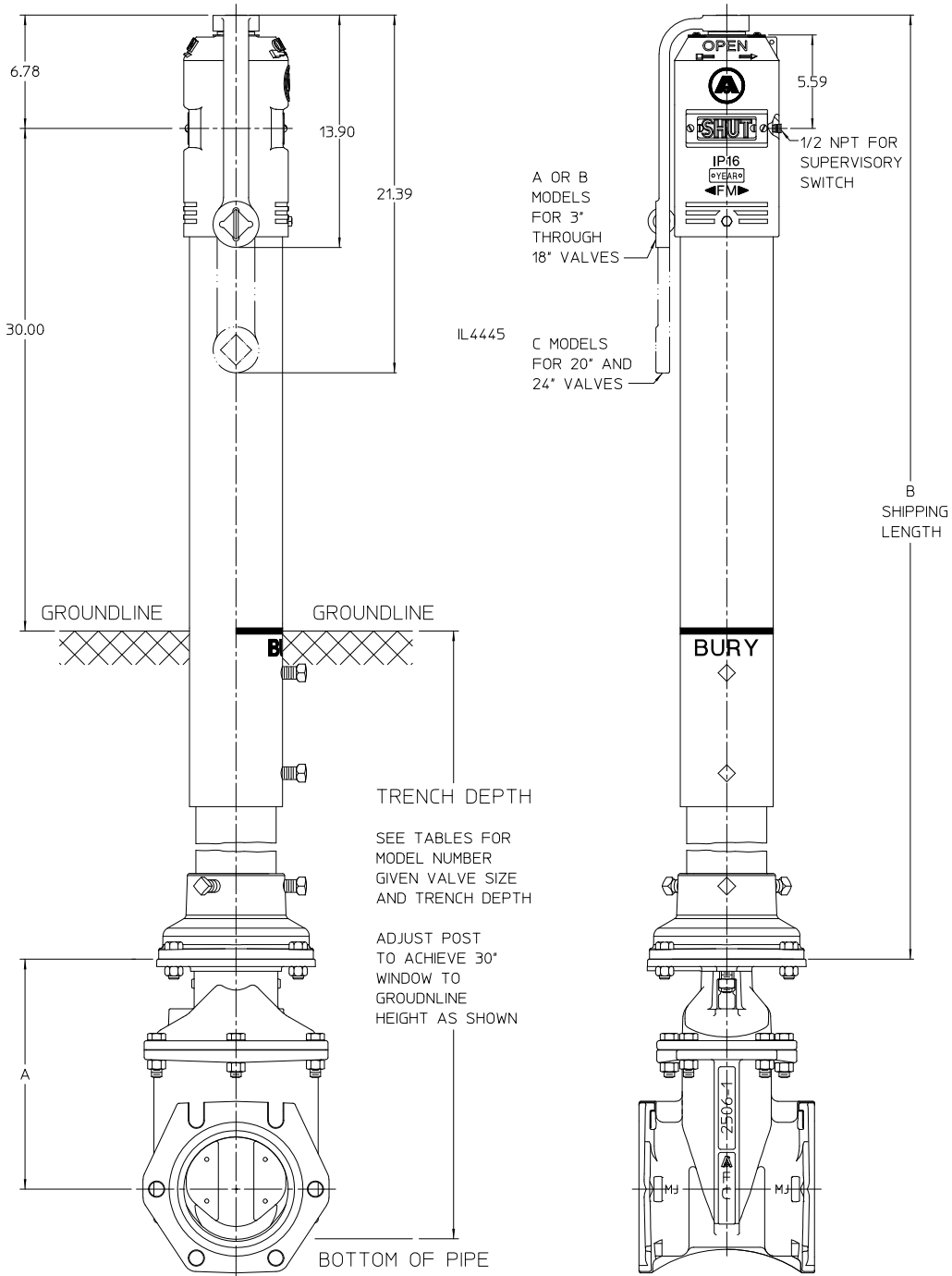
AMERICAN
FLOW CONTROL

THE RIGHT WAY

AMERICAN Flow Control
P.O. Box 2727
Birmingham, Al. 35202-2727
Phone: 800-326-8051
Fax: 800-610-3569
Email: afcsales@american-usa.com

Waterous Company
125 Hardman Avenue South
South St. Paul, Mn. 55075-1191
Phone: 888-266-3686
Fax: 800-601-2809
Email: afcsales@american-usa.com

WWW.AMERICAN-USA.COM



Dimension	Valve Size										
	Series 2500	Series 2500-1					Series 2500				
	3"	4"	6"	8"	10"	12"	14"	16"	18"	20"	24"
A	8.97	10.38	13.75	16.94	20.34	23.78	29.25	32.75	35.62	39.69	47.84



AMERICAN
FLOW CONTROL

THE RIGHT WAY

AMERICAN Flow Control
P.O. Box 2727
Birmingham, Al. 35202-2727
Phone: 800-326-8051
Fax: 800-610-3569
Email: afcsales@american-usa.com

Waterous Company
125 Hardman Avenue South
South St. Paul, Mn. 55075-1191
Phone: 888-266-3686
Fax: 800-601-2809
Email: afcsales@american-usa.com

WWW.AMERICAN-USA.COM

Model	Valve Size					
	3"	4"	6"	8"	10"	12"
	Trench Depth	Trench Depth	Trench Depth	Trench Depth	Trench Depth	Trench Depth
1A	2'1" - 4'1"	2'4" - 4'4"	2'8" - 4'8"	3'0" - 5'0"	3'5" - 5'5"	3'10" - 5'10"
2A	4'1" - 6'1"	4'4" - 6'4"	4'8" - 6'8"	5'0" - 7'0"	5'5" - 7'5"	5'10" - 7'10"
3A	6'1" - 8'1"	6'4" - 8'4"	6'8" - 8'8"	7'0" - 9'0"	7'5" - 9'5"	7'10" - 9'10"
4A	8'1" - 10'1"	8'4" - 10'4"	8'8" - 10'8"	9'0" - 11'0"	9'5" - 11'5"	9'10" - 11'10"
5A	10'1" - 12'1"	10'4" - 12'4"	10'8" - 12'8"	11'0" - 13'0"	11'5" - 13'5"	11'10" - 13'10"
6A	12'1" - 14'1"	12'4" - 14'4"	12'8" - 14'8"	13'0" - 15'0"	13'5" - 15'5"	13'10" - 15'10"
7A	14'1" - 16'1"	14'4" - 16'4"	14'8" - 16'8"	15'0" - 17'0"	15'5" - 17'5"	15'10" - 17'10"
8A	16'1" - 18'1"	16'4" - 18'4"	16'8" - 18'8"	17'0" - 19'0"	17'5" - 19'5"	17'10" - 19'10"

Model	Valve Size		
	14"	16"	18"
	Trench Depth	Trench Depth	Trench Depth
1B	4'4" - 6'4"	4'9" - 6'9"	5'1" - 7'1"
2B	6'4" - 8'4"	6'9" - 8'9"	7'1" - 9'1"
3B	8'4" - 10'4"	8'9" - 10'9"	9'1" - 11'1"
4B	10'4" - 12'4"	10'9" - 12'9"	11'1" - 13'1"
5B	12'4" - 14'4"	12'9" - 14'9"	13'1" - 15'1"
6B	14'4" - 16'4"	14'9" - 16'9"	15'1" - 17'1"
7B	16'4" - 18'4"	16'9" - 18'9"	17'1" - 19'1"
8B	18'4" - 20'4"	18'9" - 20'9"	19'1" - 21'1"

Model	Valve Size	
	20"	24"
	Trench Depth	Trench Depth
1C	5'6" - 7'6"	6'4" - 8'4"
2C	7'6" - 9'6"	8'4" - 10'4"
3C	9'6" - 11'6"	10'4" - 12'4"
4C	11'6" - 13'6"	12'4" - 14'4"
5C	13'6" - 15'6"	14'4" - 16'4"
6C	15'6" - 17'6"	16'4" - 18'4"
7C	17'6" - 19'6"	18'4" - 20'4"
8C	19'6" - 21'6"	20'4" - 22'4"

NOTE: For trench depths that fall between those listed, the installer may choose to use the next longer available model.

Model	Weight with Ductile Iron Lower Barrel	Weight with Steel Lower Barrel	Dimension B Shipping Length
1	144 lbs	143 lbs	52.45"
2	187 lbs	186 lbs	72.50"
3	214 lbs	213 lbs	100.43"
4	243 lbs	242 lbs	124.43"
5	272 lbs	270 lbs	148.43"
6	300 lbs	298 lbs	172.43"
7	329 lbs	327 lbs	196.43"
8	357 lbs	355 lbs	220.43"



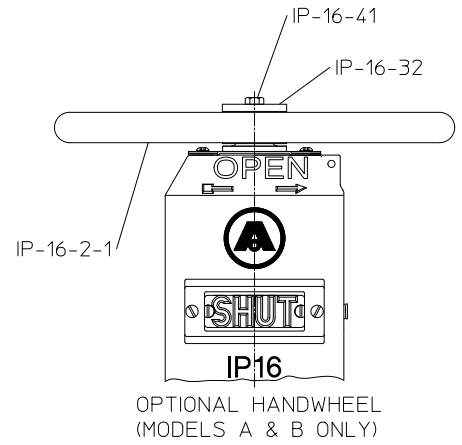
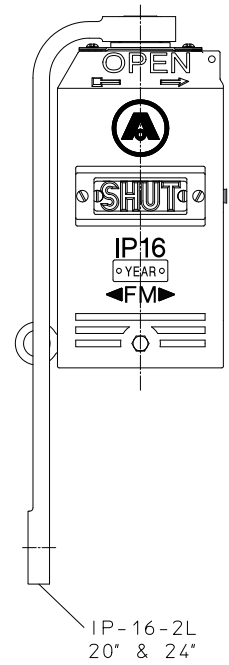
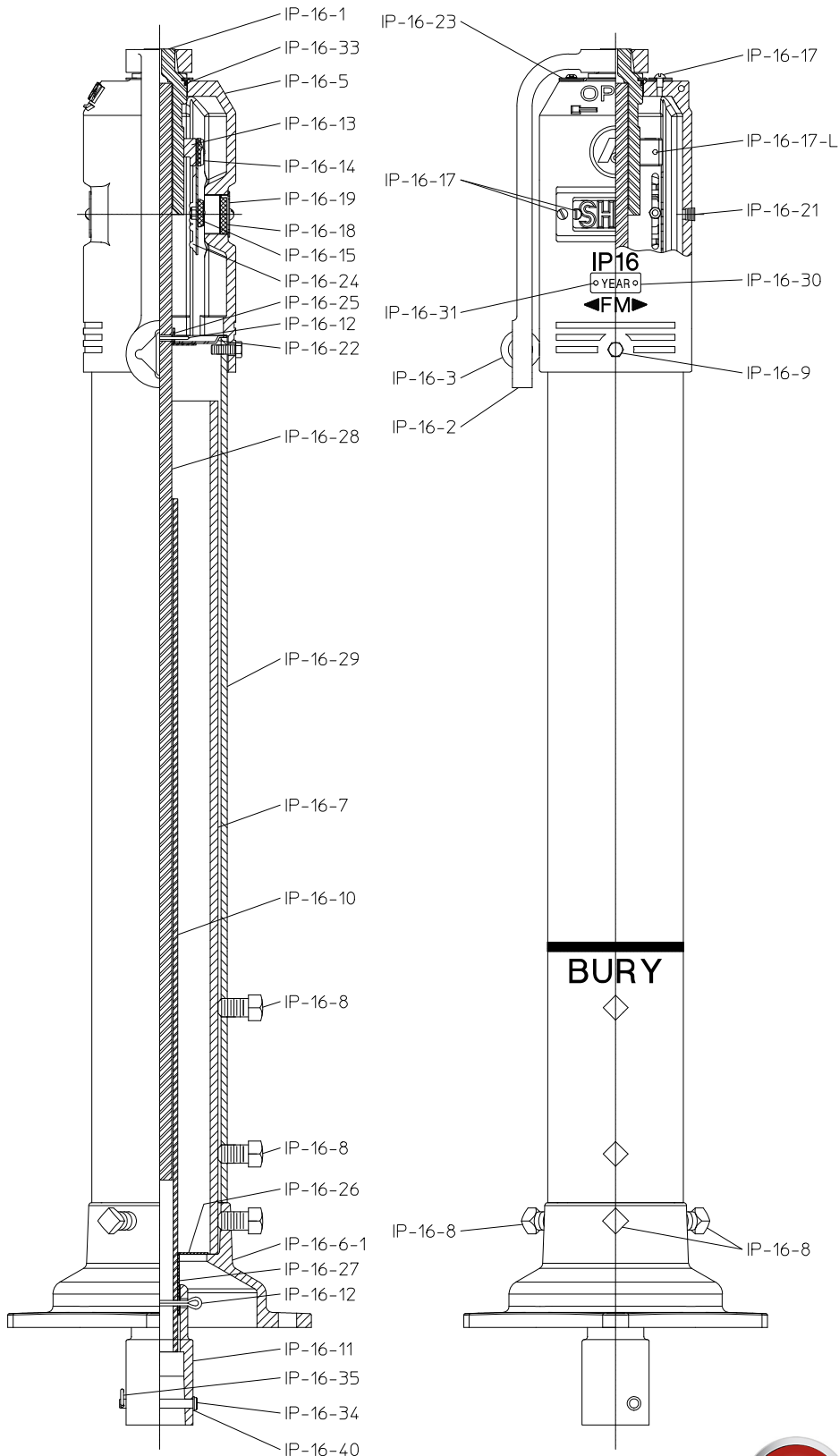
AMERICAN
FLOW CONTROL

THE RIGHT WAY

AMERICAN Flow Control
P.O. Box 2727
Birmingham, Al. 35202-2727
Phone: 800-326-8051
Fax: 800-610-3569
Email: afcsales@american-usa.com

Waterous Company
125 Hardman Avenue South
South St. Paul, Mn. 55075-1191
Phone: 888-266-3686
Fax: 800-601-2809
Email: afcsales@american-usa.com

WWW.AMERICAN-USA.COM



IL4446



AMERICAN
FLOW CONTROL

THE RIGHT WAY

AMERICAN Flow Control
P.O. Box 2727
Birmingham, Al. 35202-2727
Phone: 800-326-8051
Fax: 800-610-3569
Email: afcsales@american-usa.com

Waterous Company
125 Hardman Avenue South
South St. Paul, Mn. 55075-1191
Phone: 888-266-3686
Fax: 800-601-2809
Email: afcsales@american-usa.com

WWW.AMERICAN-USA.COM

Ref No.	Description	Material	Quantity
IP-16-1	Operating Stem Nut	Stainless Steel	1
IP-16-2	Operating Wrench (Models A & B)	Cast Iron, ASTM A126, Class B	1
IP-16-2L	Operating Wrench (Model C)	Cast Iron, ASTM A126, Class B	1
IP-16-2-1	Handwheel	Cast Iron, ASTM A126, Class B or Ductile Iron, ASTM A536, Grade 65-45-12	1
IP-16-3	Eye Bolt	Steel	1
IP-16-5	Body	Gray Iron, ASTM A48, Class 30	1
IP-16-6-1	Base	Ductile Iron, ASTM A536, Grade 65-45-12	1
IP-16-7	Lower Barrel	Ductile Iron, Grade 60-42-10 or Steel, ASTM A500, Grade B	1
IP-16-8	Set Screw	Steel	5
IP-16-9	Hex Head Bolt	Zinc Plated Steel	1
IP-16-10	Lower Rod	Steel Tubing, ASTM A500	1
IP-16-11	Rod Coupling	Ductile Iron, ASTM A536, Grade 65-45-12	1
IP-16-12	Cotter Pin	Steel	2
IP-16-13	Target Carrier Nut	Brass, ASTM B62, UNS C83600	1
IP-16-14	Target Plate - Open	Aluminum	2
IP-16-15	Target Plate - Shut	Aluminum	2
IP-16-17	Screw and Nut	Stainless Steel	12 and 4
IP-16-17-L	Screw	Stainless Steel	2
IP-16-18	Travel Sign Cover	Plexiglass	2
IP-16-19	Ferrule	Stainless Steel	2
IP-16-21	Pipe Plug	Steel	1
IP-16-22	Guide Stop	Stainless Steel	1
IP-16-23	Stuffing Box	Stainless Steel	2
IP-16-24	Target Carrier	Stainless Steel	2
IP-16-25	Tube Collar	Stainless Steel	1
IP-16-26	Tube Stop Ring	Stainless Steel	1
IP-16-27	Tube Stop Key	Stainless Steel	1
IP-16-28	Upper Rod	Steel	1
IP-16-29	Upper Barrel	Steel, ASTM A53, Grade B	1
IP-16-30	Year Date Tag	Aluminum	1
IP-16-31	Drive Lok Stud	Stainless Steel	2
IP-16-32	Washer	Brass, ASTM B16, UNS C36000	1
IP-16-33	O-ring	Rubber	1
IP-16-34	Clevis Pin	Stainless Steel	1
IP-16-35	Hairpin Cotter Pin	Stainless Steel	1
IP-16-40	Washer	Stainless Steel	1
IP-16-41	Hex Head Bolt	Zinc Plated Steel	1



AMERICAN
FLOW CONTROL

THE RIGHT WAY

AMERICAN Flow Control
P.O. Box 2727
Birmingham, Al. 35202-2727
Phone: 800-326-8051
Fax: 800-610-3569
Email: afcsales@american-usa.com

Waterous Company
125 Hardman Avenue South
South St. Paul, Mn. 55075-1191
Phone: 888-266-3686
Fax: 800-601-2809
Email: afcsales@american-usa.com

WWW.AMERICAN-USA.COM