

# PRODUCT MANUAL

IP16  
INDICATOR POST



# AMERICAN

FLOW CONTROL

**THE RIGHT WAY**



# INDEX

## IP16 INDICATOR POST

|   | <b>PAGE</b> |
|---|-------------|
| <b><u>INTRODUCTION</u></b> .....              | 4B-2        |
| <b><u>ORDERING</u></b>                        |             |
| Dimensions:                                   |             |
| Indicator Post.....                           | 4B-3        |
| Model and Trench Depth.....                   | 4B-4        |
| Valve with Indicator Plate.....               | 4B-5        |
| Weights.....                                  | 4B-6        |
| Submittal Sheet .....                         | 4B-7        |
| <b><u>INSTALLATION</u></b> .....              | 4B-8        |
| <b><u>OPERATION AND MAINTENANCE</u></b> ..... | 4B-9        |
| <b><u>REPAIRS</u></b>                         |             |
| Parts List:                                   |             |
| Indicator Post.....                           | 4B-10       |
| Valve with Indicator Plate.....               | 4B-11       |

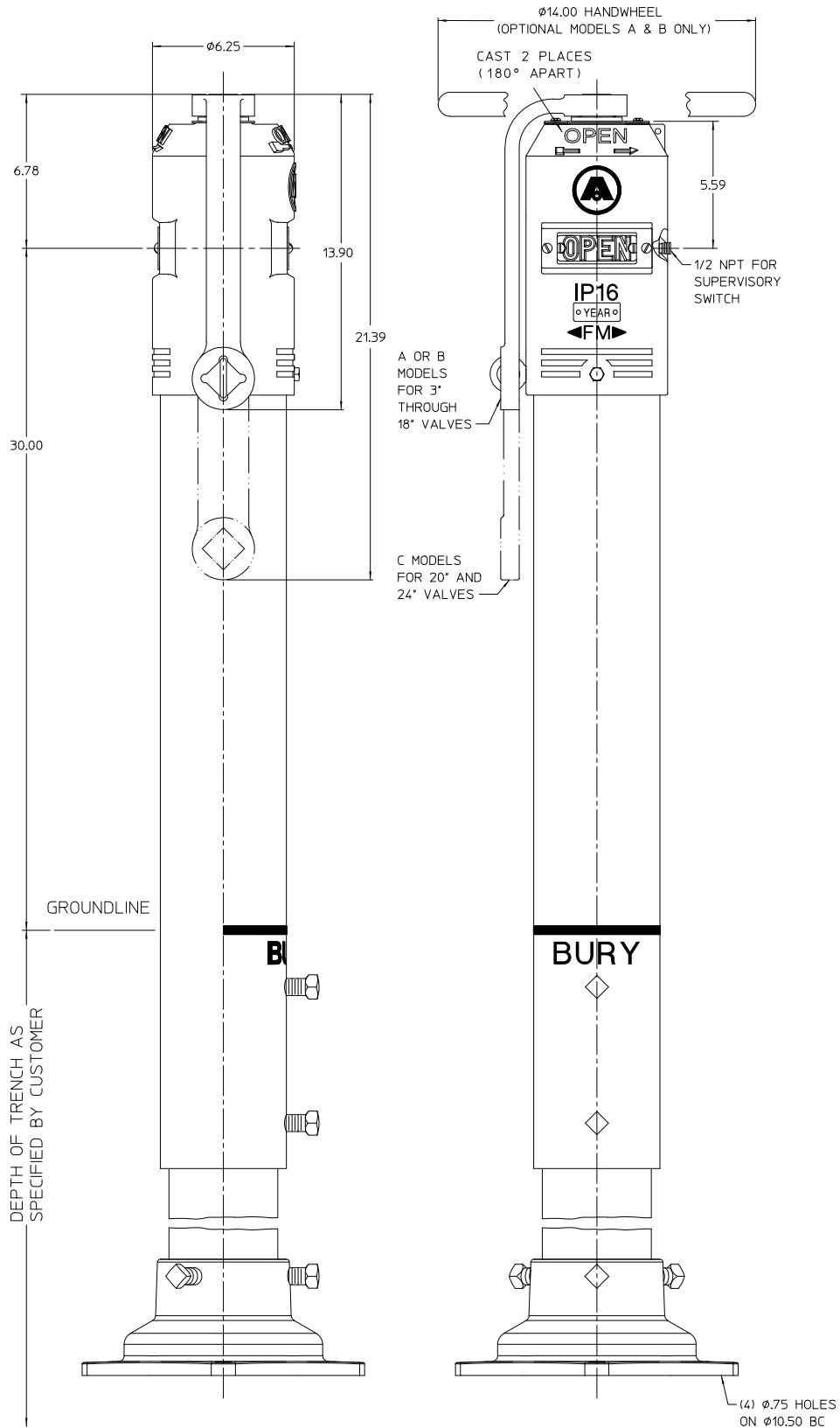


## IP16 INDICATOR POST

AMERICAN Flow Control offers a full line of vertical, adjustable indicator posts that are Listed by UL LLC and Approved by FM Approvals for used with 3 through 24-inch sizes of buried gate valves. Vertical indicator posts are used to open and close gate valves used to control the flow of water to the fire protection systems such as automatic fire sprinkles, water or water and foam deluge systems, and standpipe fire hose connections. Indicator posts provide a

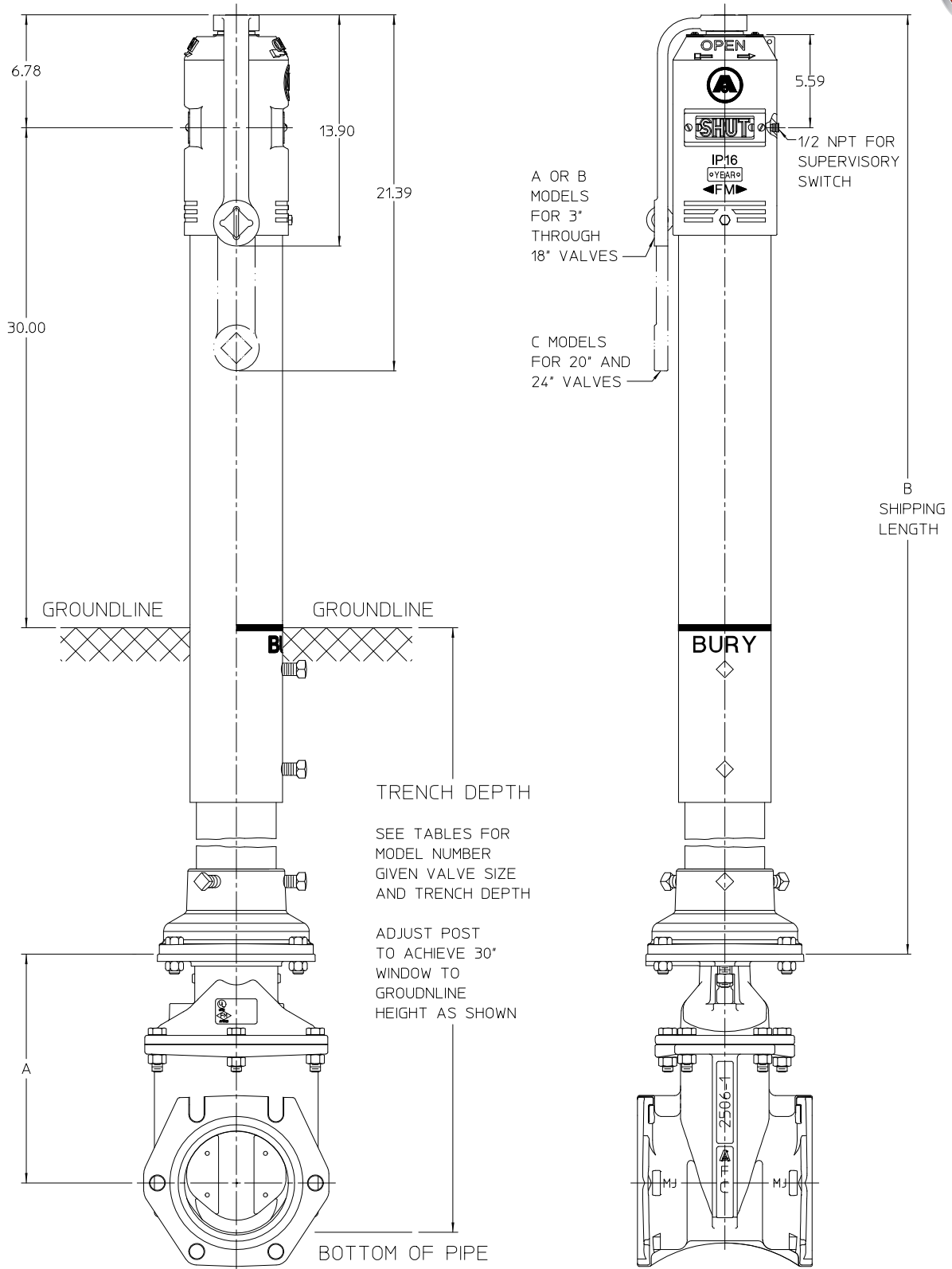
visual indication of whether a valve is open or closed by the appearance of a traveling sign that displays “OPEN” or “SHUT” in a window on both sides of the post. Indicator posts also provide a means to lock a valve in the open position, and allow the mounting of an electrical supervisory switch for remotely monitoring the position of the gate valve.

# IP16 DIMENSIONS



**NOTE:**  
 UL Listed and FM Approved.

# IP16 DIMENSIONS





## IP16 WEIGHTS AND SHIPPING LENGTHS

| Model | Weight with Ductile Iron Lower Barrel | Weight with Steel Lower Barrel | Dimension B Shipping Length |
|-------|---------------------------------------|--------------------------------|-----------------------------|
| 1     | 144 lbs                               | 143 lbs                        | 52.45"                      |
| 2     | 187 lbs                               | 186 lbs                        | 72.50"                      |
| 3     | 214 lbs                               | 213 lbs                        | 100.43"                     |
| 4     | 243 lbs                               | 242 lbs                        | 124.43"                     |
| 5     | 272 lbs                               | 270 lbs                        | 148.43"                     |
| 6     | 300 lbs                               | 298 lbs                        | 172.43"                     |
| 7     | 329 lbs                               | 327 lbs                        | 196.43"                     |
| 8     | 357 lbs                               | 355 lbs                        | 220.43"                     |

## IP16 DIMENSIONS

| Model | Valve Size    |               |               |               |               |                 |
|-------|---------------|---------------|---------------|---------------|---------------|-----------------|
|       | 3"            | 4"            | 6"            | 8"            | 10"           | 12"             |
|       | Trench Depth  | Trench Depth  | Trench Depth  | Trench Depth  | Trench Depth  | Trench Depth    |
| 1A    | 2'1" - 4'1"   | 2'4" - 4'4"   | 2'8" - 4'8"   | 3'0" - 5'0"   | 3'5" - 5'5"   | 3'10" - 5'10"   |
| 2A    | 4'1" - 6'1"   | 4'4" - 6'4"   | 4'8" - 6'8"   | 5'0" - 7'0"   | 5'5" - 7'5"   | 5'10" - 7'10"   |
| 3A    | 6'1" - 8'1"   | 6'4" - 8'4"   | 6'8" - 8'8"   | 7'0" - 9'0"   | 7'5" - 9'5"   | 7'10" - 9'10"   |
| 4A    | 8'1" - 10'1"  | 8'4" - 10'4"  | 8'8" - 10'8"  | 9'0" - 11'0"  | 9'5" - 11'5"  | 9'10" - 11'10"  |
| 5A    | 10'1" - 12'1" | 10'4" - 12'4" | 10'8" - 12'8" | 11'0" - 13'0" | 11'5" - 13'5" | 11'10" - 13'10" |
| 6A    | 12'1" - 14'1" | 12'4" - 14'4" | 12'8" - 14'8" | 13'0" - 15'0" | 13'5" - 15'5" | 13'10" - 15'10" |
| 7A    | 14'1" - 16'1" | 14'4" - 16'4" | 14'8" - 16'8" | 15'0" - 17'0" | 15'5" - 17'5" | 15'10" - 17'10" |
| 8A    | 16'1" - 18'1" | 16'4" - 18'4" | 16'8" - 18'8" | 17'0" - 19'0" | 17'5" - 19'5" | 17'10" - 19'10" |

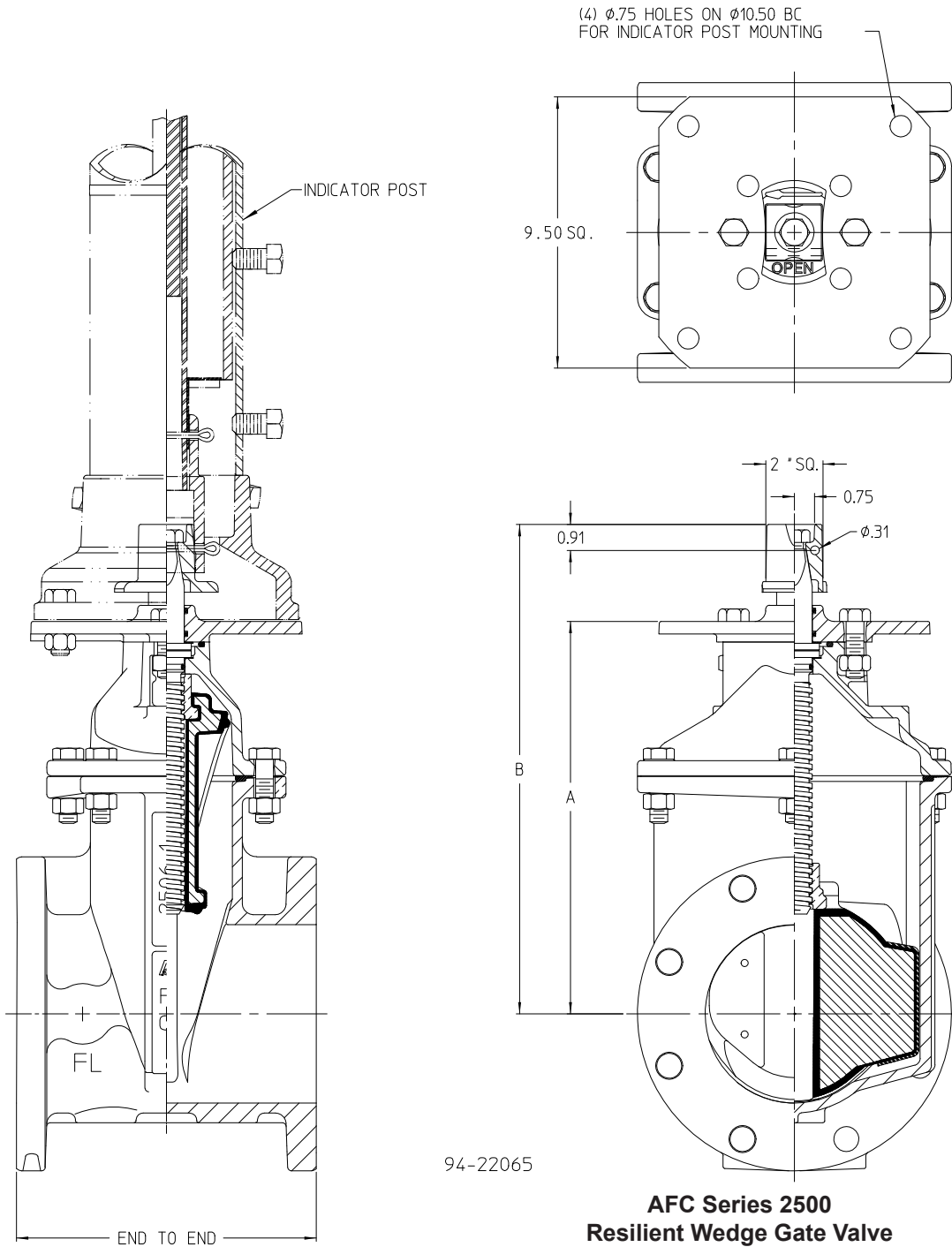
| Model | Valve Size    |               |               |
|-------|---------------|---------------|---------------|
|       | 14"           | 16"           | 18"           |
|       | Trench Depth  | Trench Depth  | Trench Depth  |
| 1B    | 4'4" - 6'4"   | 4'9" - 6'9"   | 5'1" - 7'1"   |
| 2B    | 6'4" - 8'4"   | 6'9" - 8'9"   | 7'1" - 9'1"   |
| 3B    | 8'4" - 10'4"  | 8'9" - 10'9"  | 9'1" - 11'1"  |
| 4B    | 10'4" - 12'4" | 10'9" - 12'9" | 11'1" - 13'1" |
| 5B    | 12'4" - 14'4" | 12'9" - 14'9" | 13'1" - 15'1" |
| 6B    | 14'4" - 16'4" | 14'9" - 16'9" | 15'1" - 17'1" |
| 7B    | 16'4" - 18'4" | 16'9" - 18'9" | 17'1" - 19'1" |
| 8B    | 18'4" - 20'4" | 18'9" - 20'9" | 19'1" - 21'1" |

| Model | Valve Size    |               |
|-------|---------------|---------------|
|       | 20"           | 24"           |
|       | Trench Depth  | Trench Depth  |
| 1C    | 5'6" - 7'6"   | 6'4" - 8'4"   |
| 2C    | 7'6" - 9'6"   | 8'4" - 10'4"  |
| 3C    | 9'6" - 11'6"  | 10'4" - 12'4" |
| 4C    | 11'6" - 13'6" | 12'4" - 14'4" |
| 5C    | 13'6" - 15'6" | 14'4" - 16'4" |
| 6C    | 15'6" - 17'6" | 16'4" - 18'4" |
| 7C    | 17'6" - 19'6" | 18'4" - 20'4" |
| 8C    | 19'6" - 21'6" | 20'4" - 22'4" |

NOTE: For trench depths that fall between those listed, the installer may choose to use the next longer available model.

| Dimension | Valve Size  |               |       |       |       |       |             |       |       |       |       |
|-----------|-------------|---------------|-------|-------|-------|-------|-------------|-------|-------|-------|-------|
|           | Series 2500 | Series 2500-1 |       |       |       |       | Series 2500 |       |       |       |       |
|           | 3"          | 4"            | 6"    | 8"    | 10"   | 12"   | 14"         | 16"   | 18"   | 20"   | 24"   |
| A         | 8.97        | 10.38         | 13.75 | 16.94 | 20.34 | 23.78 | 29.25       | 32.75 | 35.62 | 39.69 | 47.84 |

# VALVE WITH INDICATOR PLATE DIMENSIONS



**AFC Series 2500  
Resilient Wedge Gate Valve**

| Dimension                           | Valve Size  |       |               |       |       |       |             |       |       |       |       |
|-------------------------------------|-------------|-------|---------------|-------|-------|-------|-------------|-------|-------|-------|-------|
|                                     | Series 2500 |       | Series 2500-1 |       |       |       | Series 2500 |       |       |       |       |
|                                     | 3"          | 4"    | 6"            | 8"    | 10"   | 12"   | 14"         | 16"   | 18"   | 20"   | 24"   |
| A                                   | 8.97        | 10.38 | 13.75         | 16.94 | 20.34 | 23.78 | 29.25       | 32.75 | 35.62 | 39.69 | 47.84 |
| B                                   | 11.84       | 13.91 | 17.12         | 20.47 | 24.06 | 27.59 | 33.25       | 36.75 | 39.62 | 43.25 | 51.25 |
| End to end - FL x FL<br>(Class 125) | 8.00        | 9.00  | 10.50         | 11.50 | 13.00 | 14.00 | 15.0        | 16.00 | 17.00 | 18.00 | 20.00 |
| End to End - MJ x MJ                | 8.62        | 10.00 | 10.50         | 11.50 | 12.50 | 13.50 | 20.50       | 20.88 | 23.00 | 23.50 | 25.50 |

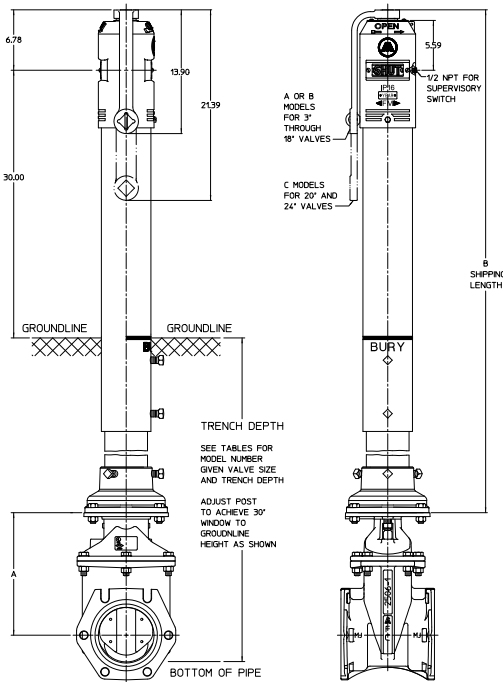


# AMERICAN Flow Control®

## IP16 (UNDERGROUND) INDICATOR POST

### SUBMITTAL SHEET

|                                   |  |
|-----------------------------------|--|
| <b>Quantity:</b>                  |  |
| <b>Direction to Open:</b>         | <input type="checkbox"/> Left (CCW) <input type="checkbox"/> Right (CW)  |
| <b>Actuator:</b>                  | <input type="checkbox"/> Wrench <input type="checkbox"/> Handwheel   |
| <b>Valve Size Post Used On:</b>   | <input type="checkbox"/> 3" <input type="checkbox"/> 4" <input type="checkbox"/> 6" <input type="checkbox"/> 8" <input type="checkbox"/> 10" <input type="checkbox"/> 12" <input type="checkbox"/> 14" <input type="checkbox"/> 16" <input type="checkbox"/> 18" <input type="checkbox"/> 20" <input type="checkbox"/> 24" |
| <b>Model:</b>                     |  |
| <b>Other Requirements (List):</b> |  |



| Model | Valve Size    |               |               |               |               |                 |
|-------|---------------|---------------|---------------|---------------|---------------|-----------------|
|       | 3"            | 4"            | 6"            | 8"            | 10"           | 12"             |
|       | Trench Depth  | Trench Depth  | Trench Depth  | Trench Depth  | Trench Depth  | Trench Depth    |
| 1A    | 2'1" - 4'1"   | 2'4" - 4'4"   | 2'8" - 4'8"   | 3'0" - 5'0"   | 3'5" - 5'5"   | 3'10" - 5'10"   |
| 2A    | 4'1" - 6'1"   | 4'4" - 6'4"   | 4'8" - 6'8"   | 5'0" - 7'0"   | 5'5" - 7'5"   | 5'10" - 7'10"   |
| 3A    | 6'1" - 8'1"   | 6'4" - 8'4"   | 6'8" - 8'8"   | 7'0" - 9'0"   | 7'5" - 9'5"   | 7'10" - 9'10"   |
| 4A    | 8'1" - 10'1"  | 8'4" - 10'4"  | 8'8" - 10'8"  | 9'0" - 11'0"  | 9'5" - 11'5"  | 9'10" - 11'10"  |
| 5A    | 10'1" - 12'1" | 10'4" - 12'4" | 10'8" - 12'8" | 11'0" - 13'0" | 11'5" - 13'5" | 11'10" - 13'10" |
| 6A    | 12'1" - 14'1" | 12'4" - 14'4" | 12'8" - 14'8" | 13'0" - 15'0" | 13'5" - 15'5" | 13'10" - 15'10" |
| 7A    | 14'1" - 16'1" | 14'4" - 16'4" | 14'8" - 16'8" | 15'0" - 17'0" | 15'5" - 17'5" | 15'10" - 17'10" |
| 8A    | 16'1" - 18'1" | 16'4" - 18'4" | 16'8" - 18'8" | 17'0" - 19'0" | 17'5" - 19'5" | 17'10" - 19'10" |

| Model | Valve Size    |               |               | Model        | Valve Size    |               |
|-------|---------------|---------------|---------------|--------------|---------------|---------------|
|       | 14"           | 16"           | 18"           |              | 20"           | 24"           |
|       | Trench Depth  | Trench Depth  | Trench Depth  | Trench Depth | Trench Depth  |               |
| 1B    | 4'4" - 6'4"   | 4'9" - 6'9"   | 5'1" - 7'1"   | 1C           | 5'6" - 7'6"   | 6'4" - 8'4"   |
| 2B    | 6'4" - 8'4"   | 6'9" - 8'9"   | 7'1" - 9'1"   | 2C           | 7'6" - 9'6"   | 8'4" - 10'4"  |
| 3B    | 8'4" - 10'4"  | 8'9" - 10'9"  | 9'1" - 11'1"  | 3C           | 9'6" - 11'6"  | 10'4" - 12'4" |
| 4B    | 10'4" - 12'4" | 10'9" - 12'9" | 11'1" - 13'1" | 4C           | 11'6" - 13'6" | 12'4" - 14'4" |
| 5B    | 12'4" - 14'4" | 12'9" - 14'9" | 13'1" - 15'1" | 5C           | 13'6" - 15'6" | 14'4" - 16'4" |
| 6B    | 14'4" - 16'4" | 14'9" - 16'9" | 15'1" - 17'1" | 6C           | 15'6" - 17'6" | 16'4" - 18'4" |
| 7B    | 16'4" - 18'4" | 16'9" - 18'9" | 17'1" - 19'1" | 7C           | 17'6" - 19'6" | 18'4" - 20'4" |
| 8B    | 18'4" - 20'4" | 18'9" - 20'9" | 19'1" - 21'1" | 8C           | 19'6" - 21'6" | 20'4" - 22'4" |

Note: Trench depths are listed in 6-inch increments. For trench depths that fall between those listed, the installer may choose to use the next longer available model.

| Dimension | Valve Size  |               |       |       |       |       |             |       |       |       |       |
|-----------|-------------|---------------|-------|-------|-------|-------|-------------|-------|-------|-------|-------|
|           | Series 2500 | Series 2500-1 |       |       |       |       | Series 2500 |       |       |       |       |
|           | 3"          | 4"            | 6"    | 8"    | 10"   | 12"   | 14"         | 16"   | 18"   | 20"   | 24"   |
| A         | 8.97        | 10.38         | 13.75 | 16.94 | 20.34 | 23.78 | 29.25       | 32.75 | 35.62 | 39.69 | 47.84 |

Visit our website at <http://american-usa.com/afc>

UL Listed and FM Approved.



# IP16 INSTALLATION



NOTE: The position of the indicator post target must be set to coincide with the position of the valve. Failure to coordinate these positions can result in inaccurate valve position indication or may render the valve position indication mechanism inoperable.

The installation instructions below are written for a counterclockwise opening (open-left) gate valve. For a clockwise opening (open-right) gate valve, the position of the “OPEN” and “SHUT” target plates are reversed such that the “SHUT” target plate will be on the upper position and the “OPEN” target plate will be positioned beside the appropriate valve size tab as noted below.

## Installation

1. The IP16 Indicator Post is factory-set with the “SHUT” Target Plate (IP-16-15) positioned as shown in the following table. When the Indicator Post is mounted to the sizes listed in the table, skip down to instruction item 6.

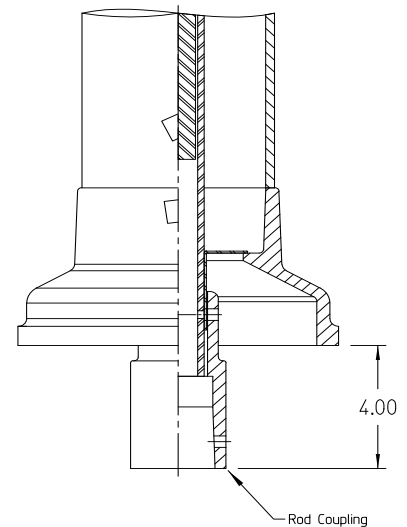
| Factory-Set Target Positions |                           |
|------------------------------|---------------------------|
| IP16 Model                   | Post Indicator Valve Size |
| A                            | 6-inch                    |
| B                            | 16-inch                   |
| C                            | 24-inch                   |

When the Indicator Post is mounted to valve sizes other than those listed in the table, follow the instructions below to remove the Head (IP-16-5) and adjust the “SHUT” Target Plate (IP-16-15).

2. To remove the head (IP-16-5), remove the Operating Wrench (IP-16-2), the eyebolt (IP-16-3) and hex-head bolt (IP-16-9). Using a screwdriver, remove one of the Screws (IP-16-17), located on top of the head (IP-16-5) and adjacent to the Operating Stem Nut (IP-16-1) and loosen the other screw (IP-16-17). Spread the Stuffing Box clips (IP-16-23) apart. Note the overlapping arrangement of the clips for proper re-assembly. Gently lift the Head (IP-16-5) to remove.
3. Locate the desired gate valve size tab on the side of the Target Carrier (IP-16-24), loosen the “SHUT” target plate fastening Screws (IP-16-17) and reposition both “SHUT” Target Plates (IP-16-15) to the center of the desired gate valve size tab and then re-tighten the Screws. Do not rotate the Target Carrier Nut (IP-16-13) on the Operating Stem Nut (IP-16-1) to maintain the factory-set position of Target Carrier (IP-16-24).
4. Apply lubricating oil to the O-ring (IP-16-33) at the top of the Operating Stem Nut (IP-16-1). Place the Head (IP-16-5) onto the post and re-assemble the Stuffing Box clips (IP-16-23) into the groove on the Operating Stem Nut (IP-16-5) and tighten the Screws (IP-16-17). Fasten the Head (IP-16-5) to the Upper Barrel (IP-16-29) by threading and tightening the Eye Bolt (IP-16-3) and Hex Head Bolt (IP-16-9). Make sure the Eye Bolt (IP-16-3) is fastened in the bolt hole 90 degrees from the Target Plate sight windows. “OPEN” targets centered in the sight windows of the head. If not, turn the operating nut until the “OPEN” targets are centered in the sight window.
5. Verify that the “OPEN” Target Plates (IP-16-14) are centered in the sight windows of the Head (IP-16-5). If they are not, turn the Operating Stem Nut (IP-16-1) until the “OPEN” Target Plates (IP-16-14) are centered in the sight window.
6. Open the gate valve fully to match the OPEN indication.
7. Pin the Rod Coupling (IP-16-11) of the IP16 Indicator Post to the 2” wrench nut on the gate valve using the Cotter Pin (IP-16-12) provided.
8. Mount the IP16 Indicator Post to the post indicator valve (PIV) plate on the gate valve.
9. Close the gate valve completely to verify that the “SHUT” Target Plate (IP-16-15) displays properly in the sight window.
10. Adjust the IP16 Indicator Post height to accommodate the trench depth by loosening the square head Set Screws (IP-16-8) located below the BURY line on the Upper Barrel (IP-16-29). Once the Indicator Post is adjusted to the proper length, tighten the Set Screws on the Upper Barrel (IP-16-29) to secure the barrels together.

NOTE for OPEN RIGHT Indicator Post:

The instructions on front side of tag are written for a counterclockwise opening (open left) gate valve. For a clockwise opening (open right) gate valve, the position of the OPEN and SHUT target plates are reversed such that the SHUT target plate will be in the upper position and the OPEN target plate will be positioned beside the appropriate valve size tab as noted.



The IP 16 Indicator post does not require disassembly to connect the rod coupling to the gate valve. The IP 16 post rod coupling extends approximately 4 inches below the base, as shown, to allow for an easy connection to the valve wrench nut.

8013668

# IP16 OPERATION AND MAINTENANCE



## Operation

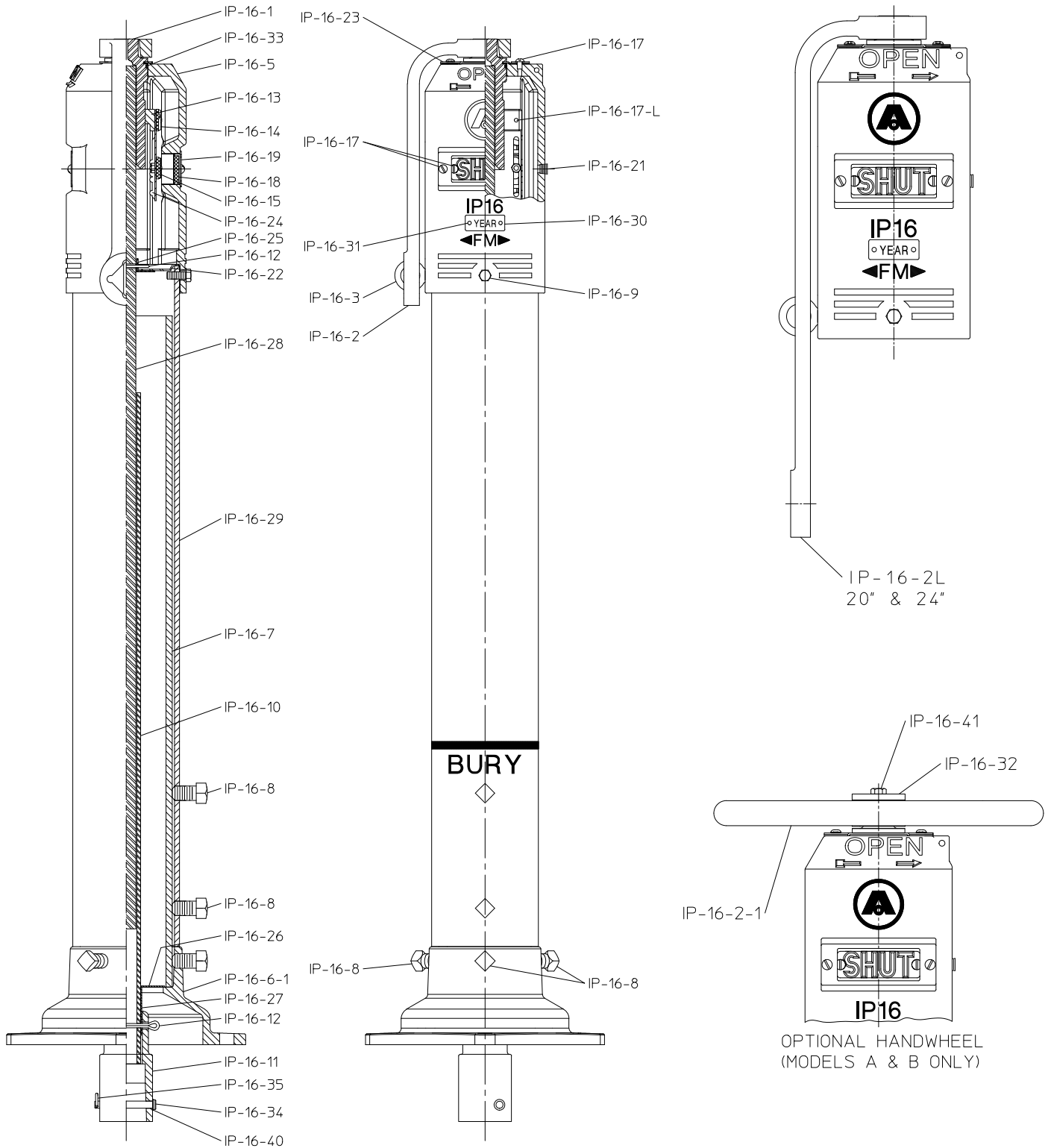
1. Direction of opening is indicated by an arrow cast on to the top of the Indicator Post Head.
2. Using the Operating Wrench (or optional Hand Wheel) supplied with the Indicator Post fully open and close the gate valve before applying system line pressure. Longer wrenches or pipes used as “cheaters” should not be used. Excessive leverage may damage the Indicator Post or the gate valve to which it is connected.
3. AMERICAN recommends the use of AMERICAN Flow Control Series 2500 Gate Valves with the IP16 Indicator Post. In cases where other manufacturers’ gate valves are used, please contact that manufacturer for valve operating instructions. AMERICAN will not be responsible for claims, errors or omissions in documentation provided by other manufacturers.

## Maintenance

1. Inspect Indicator Post a minimum of four times per year, or more if conditions warrant.
2. Operate the gate valve through a complete cycle of closing and opening and verify that the post and gate valve function properly and the display of the OPEN and SHUT targets accurately correspond with the position of the gate valve.
3. If it is necessary to replace the Operating Stem Nut (IP-16-1), proceed as follows:
  - a. Remove the Operating Wrench (IP-16-2), the eyebolt (IP-16-3) and hex-head bolt (IP-16-9). Using a screwdriver, remove one of the Screws (IP-16-17), located on top of the Head (IP-16-5) and adjacent to the Operating Stem Nut (IP-16-1) and loosen the other Screw (IP-16-17). Spread the Stuffing Box clips (IP-16-23) apart. Note the overlapping arrangement of the clips for proper re-assembly. Gently lift the Head (IP-16-5) to remove.
  - b. Lift Operating Stem Nut (IP-16-1) and target carrier assembly off of the Upper Rod (IP-16-28).
  - c. Note the position of the Target Carrier Nut (IP-16-13) on the Operating Stem Nut (IP-16-1) and then turn Operating Stem Nut until separated.
  - d. Thread the Target Carrier Nut (IP-16-13) onto the replacement Operating Stem Nut (IP-16-1) and return to the previous position.
  - e. Return the Operating Stem Nut (IP-16-1) on to the Upper Rod (IP-16-28) and re-assemble the Head (IP-16-5) by following above procedure (a) in reverse order.



# IP16 PARTS LIST

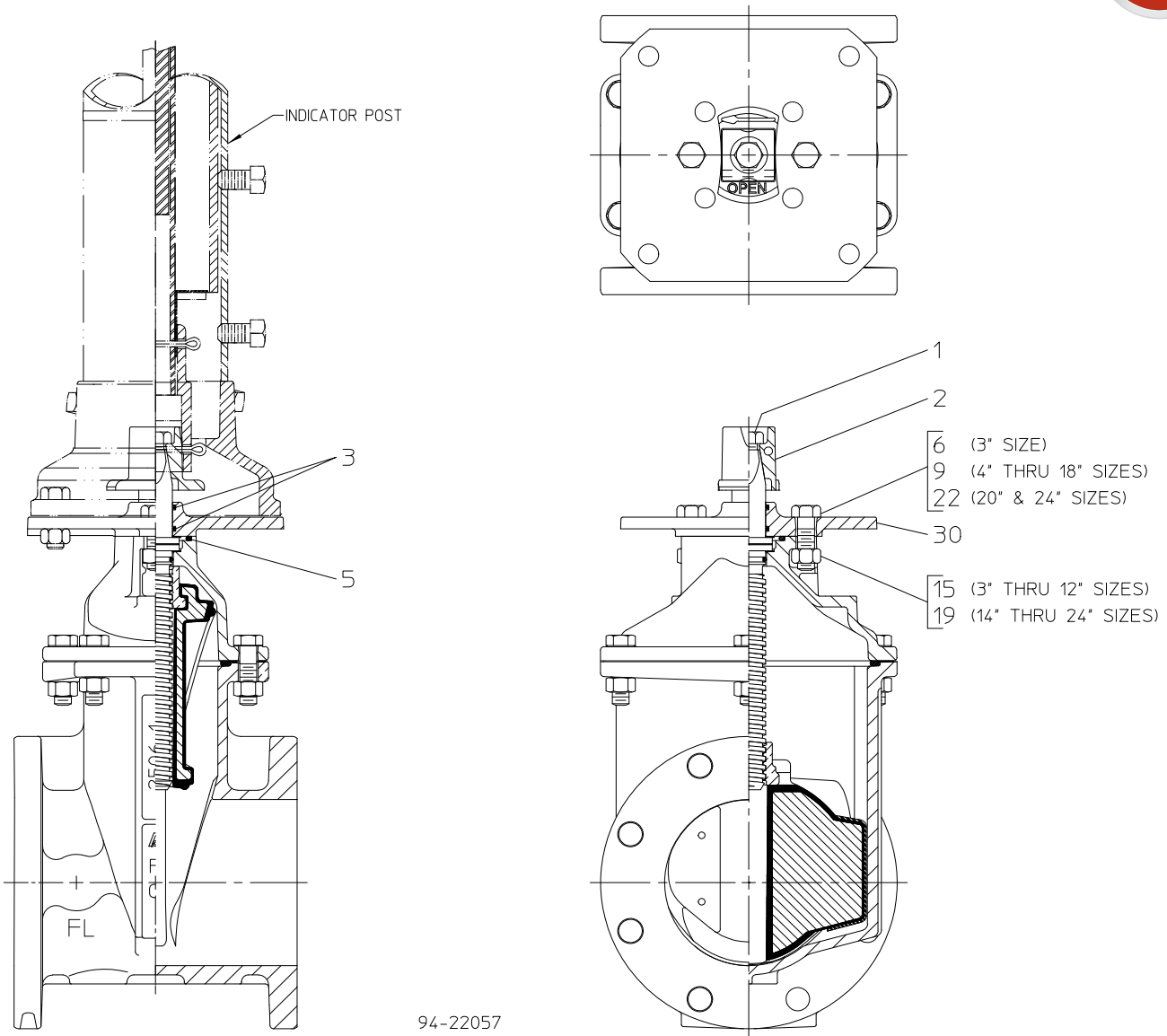




| Ref No.    | Description                     | Material   | Quantity |
|------------|---------------------------------|--|----------|
| IP-16-1    | Operating Stem Nut              | Stainless Steel  | 1        |
| IP-16-2    | Operating Wrench (Models A & B) | Cast Iron, ASTM A126, Class B                              | 1        |
| IP-16-2L   | Operating Wrench (Model C)      | Cast Iron, ASTM A126, Class B                              | 1        |
| IP-16-2-1  | Handwheel                       | Cast Iron, ASTM A126, Class B                              | 1        |
| IP-16-3    | Eye Bolt                        | Steel  | 1        |
| IP-16-5    | Body                            | Gray Iron, ASTM A48, Class 30                              | 1        |
| IP-16-6-1  | Base                            | Ductile Iron, ASTM A536, Grade 65-45-12                    | 1        |
| IP-16-7    | Lower Barrel                    | Ductile Iron, Grade 60-42-10, or Steel, ASTM A500, Grade B | 1        |
| IP-16-8    | Set Screw                       | Steel  | 5        |
| IP-16-9    | Hex Head Bolt                   | Zinc Plated Steel  | 1        |
| IP-16-10   | Lower Rod                       | Steel Tubing, ASTM A500                                    | 1        |
| IP-16-11   | Rod Coupling                    | Ductile Iron, ASTM A536, Grade 65-45-12                    | 1        |
| IP-16-12   | Cotter Pin                      | Steel  | 2        |
| IP-16-13   | Target Carrier Nut              | Brass, ASTM B62, UNS C83600                                | 1        |
| IP-16-14   | Target Plate - Open             | Aluminum   | 2        |
| IP-16-15   | Target Plate - Shut             | Aluminum   | 2        |
| IP-16-17   | Screw and Nut                   | Stainless Steel  | 12 and 4 |
| IP-16-17-L | Screw                           | Stainless Steel  | 2        |
| IP-16-18   | Travel Sign Cover               | Plexiglass   | 2        |
| IP-16-19   | Ferrule                         | Stainless Steel  | 2        |
| IP-16-21   | Pipe Plug                       | Steel  | 1        |
| IP-16-22   | Guide Stop                      | Stainless Steel  | 1        |
| IP-16-23   | Stuffing Box                    | Stainless Steel  | 2        |
| IP-16-24   | Target Carrier                  | Stainless Steel  | 2        |
| IP-16-25   | Tube Collar                     | Stainless Steel  | 1        |
| IP-16-26   | Tube Stop Ring                  | Stainless Steel  | 1        |
| IP-16-27   | Tube Stop Key                   | Stainless Steel  | 1        |
| IP-16-28   | Upper Rod                       | Steel  | 1        |
| IP-16-29   | Upper Barrel                    | Steel, ASTM A53, Grade B                                   | 1        |
| IP-16-30   | Year Date Tag                   | Aluminum   | 1        |
| IP-16-31   | Drive Lok Stud                  | Stainless Steel  | 2        |
| IP-16-32   | Washer                          | Brass, ASTM B16, UNS C36000                                | 1        |
| IP-16-33   | O-ring                          | Rubber   | 1        |
| IP-16-34   | Clevis Pin                      | Stainless Steel  | 1        |
| IP-16-35   | Hairpin Cotter Pin              | Stainless Steel  | 1        |
| IP-16-40   | Washer                          | Stainless Steel  | 1        |
| IP-16-41   | Hex Head Bolt                   | Zinc Plated Steel  | 1        |

**NOTE: When ordering repair parts, please specify valve size, depth of trench and open direction.**

# VALVE WITH INDICATOR PLATE PARTS LIST



94-22057

| Ref No. | Description                  | Material        | Quantity    |    |               |    |     |     |     |             |     |     |     |   |
|---------|------------------------------|-----------------|-------------|----|---------------|----|-----|-----|-----|-------------|-----|-----|-----|---|
|         |                              |                 | Series 2500 |    | Series 2500-1 |    |     |     |     | Series 2500 |     |     |     |   |
|         |                              |                 | 3"          | 4" | 6"            | 8" | 10" | 12" | 14" | 16"         | 18" | 20" | 24" |   |
| 1       | Hex Hd Bolt, 5/8-11 x 1"     | Stainless Steel | 1           | 1  | 1             | 1  | 1   | 1   | 1   | -           | -   | -   | -   | - |
| 1       | Hex Hd Bolt, 5/8-11 x 1-3/4" | Stainless Steel | -           | -  | -             | -  | -   | -   | -   | 1           | 1   | 1   | 1   | 1 |
| 2       | Operating Nut, 2" Sq.        | Ductile Iron    | 1           | 1  | 1             | 1  | 1   | 1   | 1   | 1           | 1   | 1   | 1   | 1 |
| 3       | O-ring                       | Rubber          | 2           | 2  | 2             | 2  | 2   | 2   | 2   | 2           | 2   | 2   | 2   | 2 |
| 5       | Stuffing Box Gasket          | Rubber O-ring   | 1           | 1  | 1             | 1  | 1   | 1   | 1   | 1           | 1   | 1   | 2   | 2 |
| 6       | Hex Hd Bolt, 5/8-11 x 1-3/4" | Stainless Steel | 2           | -  | -             | -  | -   | -   | -   | -           | -   | -   | -   | - |
| 9       | Hex Hd Bolt, 5/8-11 x 2"     | Stainless Steel | -           | 2  | 2             | 2  | 4   | 4   | -   | -           | -   | -   | -   | - |
| 9       | Hex Hd Bolt, 7/8-9 x 3"      | Stainless Steel | -           | -  | -             | -  | -   | -   | 4   | 4           | 4   | -   | -   | - |
| 15      | Hex Nut, 5/8-11              | Stainless Steel | 2           | 2  | 2             | 2  | 4   | 4   | -   | -           | -   | -   | -   | - |
| 19      | Hex Nut, 7/8-9               | Stainless Steel | -           | -  | -             | -  | -   | -   | 4   | 4           | 4   | 4   | 4   | 4 |
| 22      | Stud, 7/8-11 x 3-1/2         | Stainless Steel | -           | -  | -             | -  | -   | -   | -   | -           | -   | 4   | 4   | - |
| 30      | Indicator Plate              | Ductile Iron    | 1           | 1  | 1             | 1  | 1   | 1   | 1   | 1           | 1   | 1   | 1   | 1 |



**AMERICAN**

**FLOW CONTROL**

**THE RIGHT WAY**

**AMERICAN Flow Control**

P.O. Box 2727  
Birmingham, AL 35202-2727  
Phone: 800-326-8051  
Fax: 800-610-3569  
Email: afcsales@american-usa.com

**Waterous Company**

125 Hardman Avenue South  
South St. Paul, MN 55075-2421  
Phone: 888-266-3686  
Fax: 800-601-2809  
Email: afcsales@american-usa.com

**[WWW.AMERICAN-USA.COM](http://WWW.AMERICAN-USA.COM)**

Product literature may become outdated. AMERICAN is not responsible for out-of-date information, errors or omissions.  
Please contact AMERICAN for the most current product information.