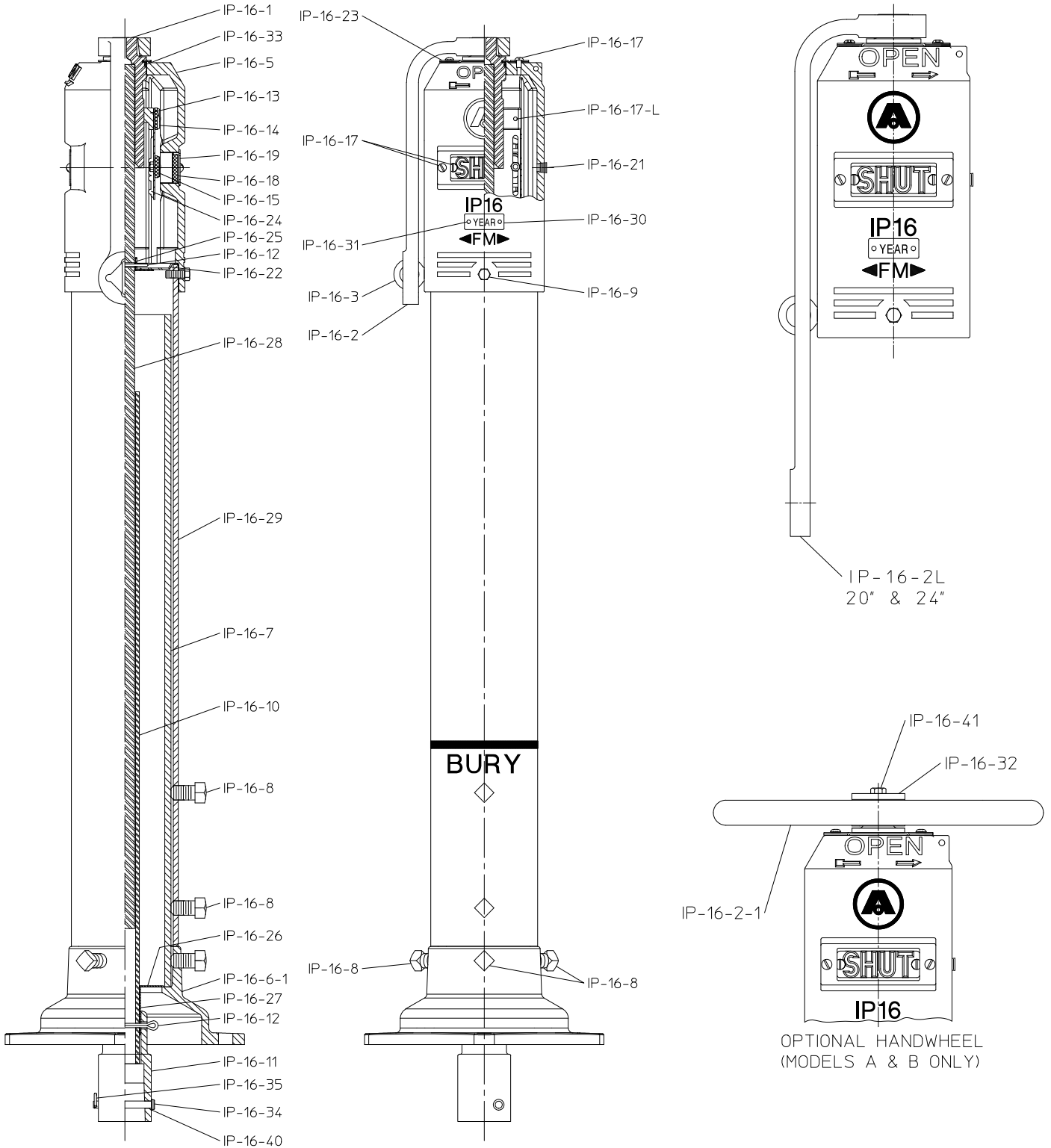




IP16 PARTS LIST

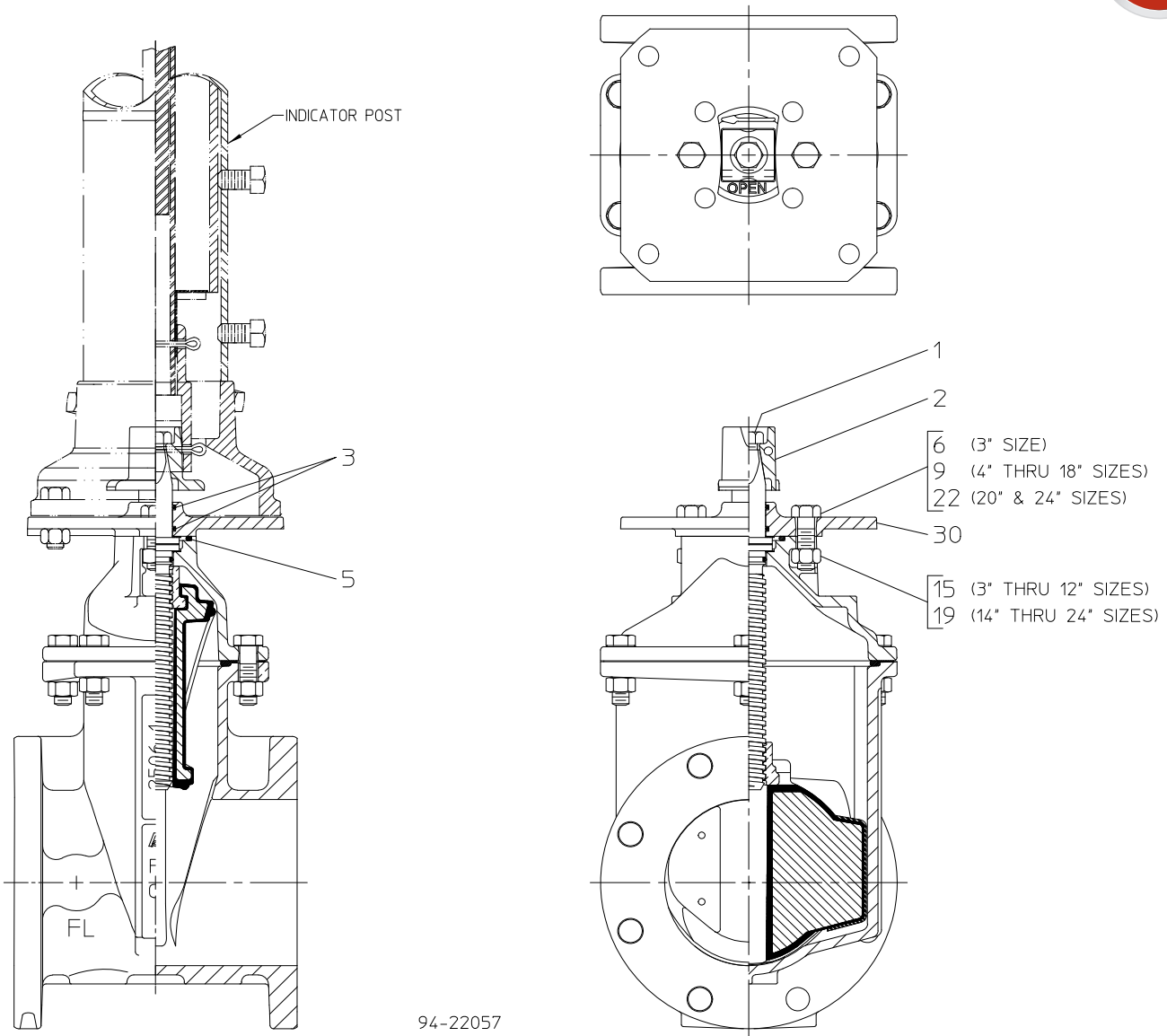




Ref No.	Description	Material	Quantity
IP-16-1	Operating Stem Nut	Stainless Steel	1
IP-16-2	Operating Wrench (Models A & B)	Cast Iron, ASTM A126, Class B	1
IP-16-2L	Operating Wrench (Model C)	Cast Iron, ASTM A126, Class B	1
IP-16-2-1	Handwheel	Cast Iron, ASTM A126, Class B	1
IP-16-3	Eye Bolt	Steel	1
IP-16-5	Body	Gray Iron, ASTM A48, Class 30	1
IP-16-6-1	Base	Ductile Iron, ASTM A536, Grade 65-45-12	1
IP-16-7	Lower Barrel	Ductile Iron, Grade 60-42-10, or Steel, ASTM A500, Grade B	1
IP-16-8	Set Screw	Steel	5
IP-16-9	Hex Head Bolt	Zinc Plated Steel	1
IP-16-10	Lower Rod	Steel Tubing, ASTM A500	1
IP-16-11	Rod Coupling	Ductile Iron, ASTM A536, Grade 65-45-12	1
IP-16-12	Cotter Pin	Steel	2
IP-16-13	Target Carrier Nut	Brass, ASTM B62, UNS C83600	1
IP-16-14	Target Plate - Open	Aluminum	2
IP-16-15	Target Plate - Shut	Aluminum	2
IP-16-17	Screw and Nut	Stainless Steel	12 and 4
IP-16-17-L	Screw	Stainless Steel	2
IP-16-18	Travel Sign Cover	Plexiglass	2
IP-16-19	Ferrule	Stainless Steel	2
IP-16-21	Pipe Plug	Steel	1
IP-16-22	Guide Stop	Stainless Steel	1
IP-16-23	Stuffing Box	Stainless Steel	2
IP-16-24	Target Carrier	Stainless Steel	2
IP-16-25	Tube Collar	Stainless Steel	1
IP-16-26	Tube Stop Ring	Stainless Steel	1
IP-16-27	Tube Stop Key	Stainless Steel	1
IP-16-28	Upper Rod	Steel	1
IP-16-29	Upper Barrel	Steel, ASTM A53, Grade B	1
IP-16-30	Year Date Tag	Aluminum	1
IP-16-31	Drive Lok Stud	Stainless Steel	2
IP-16-32	Washer	Brass, ASTM B16, UNS C36000	1
IP-16-33	O-ring	Rubber	1
IP-16-34	Clevis Pin	Stainless Steel	1
IP-16-35	Hairpin Cotter Pin	Stainless Steel	1
IP-16-40	Washer	Stainless Steel	1
IP-16-41	Hex Head Bolt	Zinc Plated Steel	1

NOTE: When ordering repair parts, please specify valve size, depth of trench and open direction.

VALVE WITH INDICATOR PLATE PARTS LIST



94-22057

Ref No.	Description	Material	Quantity											
			Series 2500		Series 2500-1					Series 2500				
			3"	4"	6"	8"	10"	12"	14"	16"	18"	20"	24"	
1	Hex Hd Bolt, 5/8-11 x 1"	Stainless Steel	1	1	1	1	1	1	1	-	-	-	-	-
1	Hex Hd Bolt, 5/8-11 x 1-3/4"	Stainless Steel	-	-	-	-	-	-	-	1	1	1	1	1
2	Operating Nut, 2" Sq.	Ductile Iron	1	1	1	1	1	1	1	1	1	1	1	1
3	O-ring	Rubber	2	2	2	2	2	2	2	2	2	2	2	2
5	Stuffing Box Gasket	Rubber O-ring	1	1	1	1	1	1	1	1	1	1	2	2
6	Hex Hd Bolt, 5/8-11 x 1-3/4"	Stainless Steel	2	-	-	-	-	-	-	-	-	-	-	-
9	Hex Hd Bolt, 5/8-11 x 2"	Stainless Steel	-	2	2	2	4	4	-	-	-	-	-	-
9	Hex Hd Bolt, 7/8-9 x 3"	Stainless Steel	-	-	-	-	-	-	4	4	4	-	-	-
15	Hex Nut, 5/8-11	Stainless Steel	2	2	2	2	4	4	-	-	-	-	-	-
19	Hex Nut, 7/8-9	Stainless Steel	-	-	-	-	-	-	4	4	4	4	4	4
22	Stud, 7/8-11 x 3-1/2	Stainless Steel	-	-	-	-	-	-	-	-	-	4	4	-
30	Indicator Plate	Ductile Iron	1	1	1	1	1	1	1	1	1	1	1	1