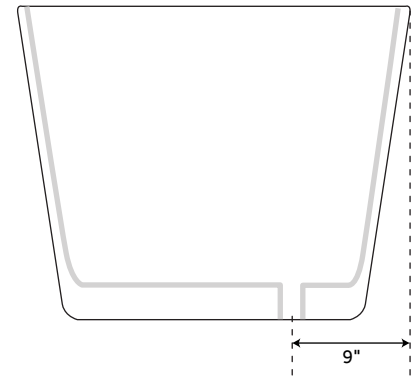
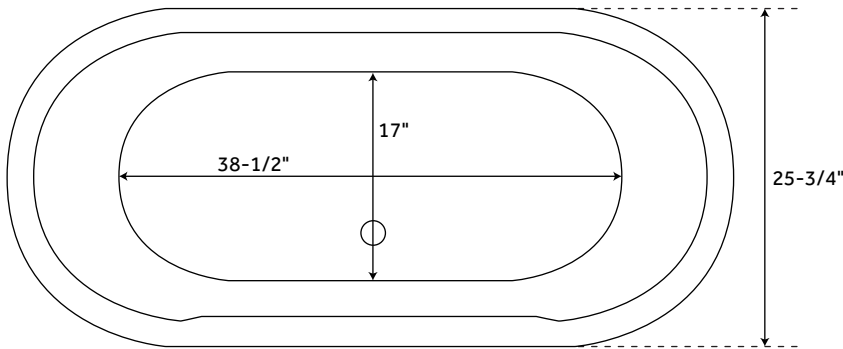
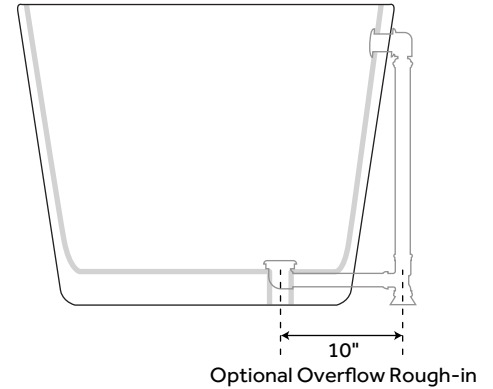
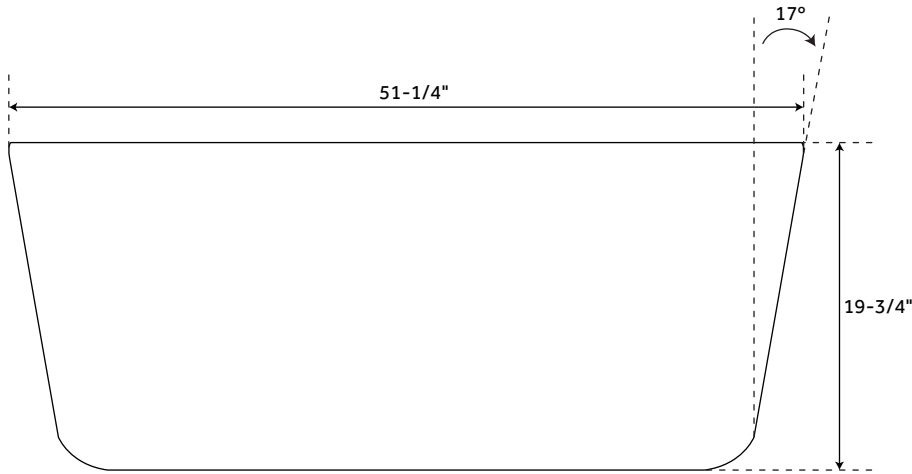


51" BOONE

ACRYLIC FREESTANDING TUB

SKU: 929474



FEATURES

- Design: Modern
- Product Finish: White
- Overflow Hole: Optional
- Shape: Oval
- Material: Acrylic
- Length: 51-1/4"
- Width: 25-3/4"
- Height: 19-3/4"
- Water Depth To Overflow: 12-3/4"
- Tap Deck: Yes
- Drain Included: Optional
- Drain Placement: Offset
- Faucet Included: No
- Faucet Drillings: No Drillings
- Water Capacity Without/With Overflow (Gallons): 43/36
- Built-In Adjusters: Yes
- Tub Weight Uncrated (lbs): 72
- Tub Weight Crated (lbs): 182

SIGNATURE HARDWARE LIFETIME WARRANTY

See website for warranty information



All dimensions and specifications are nominal and may vary. Use actual products for accuracy in critical situations.

REVISED 10/17/2019