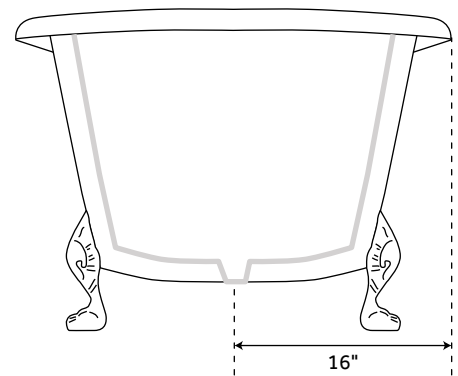
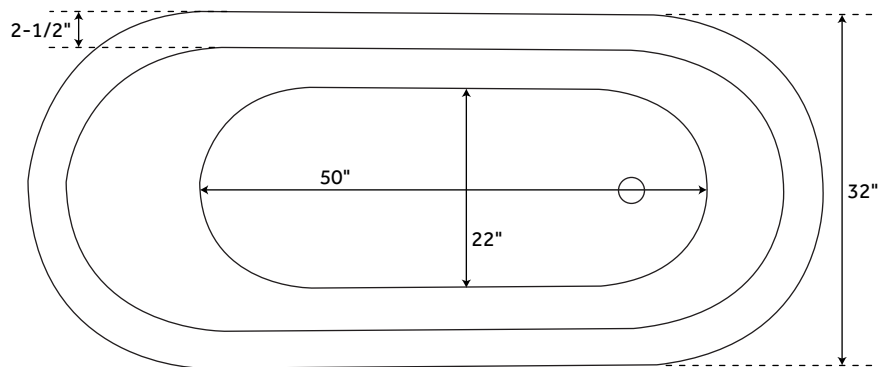
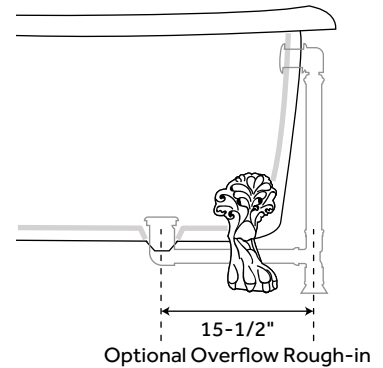
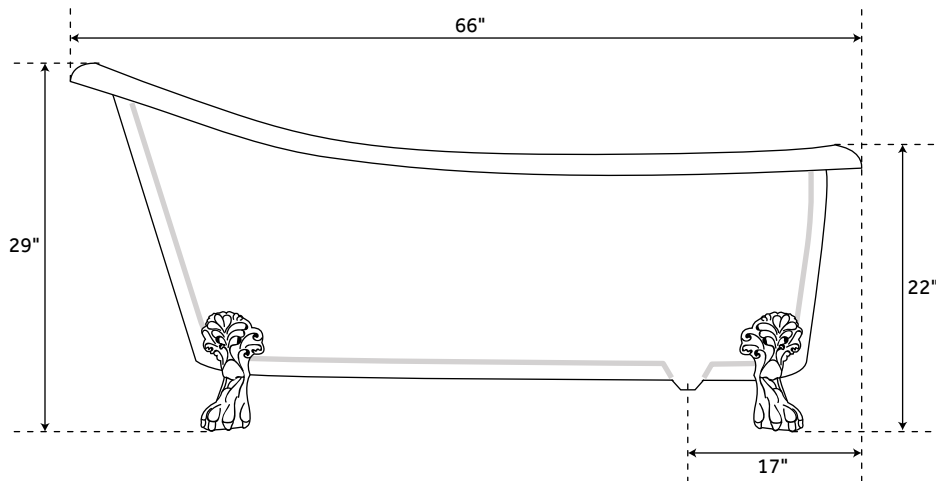


66" DONNELLY

HAMMERED COPPER CLAWFOOT SLIPPER TUB

SKU: 918351



FEATURES

Product Finish: Antique Copper Patina
Overflow Hole: Optional
Shape: Oval
Length: 66"
Width: 32"
Height: 29"
Tub Interior Length: 50"
Tub Interior Width: 22"
Water Depth to Rim: 16-1/2"
Water Depth To Overflow: 13-3/4"
Exterior Treatment: Hammered
Interior Treatment: Hammered
Metal Gauge/Thickness: 16 Gauge
Tap Deck: Yes
Drain Included: Optional
Drain Placement: End
Faucet Included: No
Faucet Drillings: Roll Top - No Drillings
Water Capacity (Gallons): 78
Tub Weight Uncrated (lbs): 86
Tub Weight Crated (lbs): 196

SIGNATURE HARDWARE LIFETIME WARRANTY

See website for warranty information



All dimensions and specifications are nominal and may vary. Use actual products for accuracy in critical situations.

REVISED 02/10/2020