



STAINLESS STEEL TUB INSTALLATION

BEFORE YOU BEGIN

We recommend consulting a professional if you are unfamiliar with installing plumbing fixtures. Signature Hardware accepts no liability for any damage to the faucet, plumbing, sink, counter top, or for personal injury during installation.

Observe all local plumbing and building codes.

Unpack and inspect the faucet for shipping damage. If any damage is found, contact our Customer Relations team at 1-866-855-2284.

GETTING STARTED

- Ensure that you have gathered all the required materials that are needed for the installation.
- Ensure that your bathroom floor is adequately supported, and the finished floor is level.
- Keep the plumbing connections around the tub easily accessible for any future maintenance that may be necessary.

PLANNING

Use the tub's PDF specification sheet as a reference when planning your layout. The specification sheet can be found and downloaded from the product page on our website.

Because the tub specification measurements are approximate and slight variations may occur, we highly recommend performing any rough-in procedures with the tub on site. For on-site rough-in information, go to the appropriate drain installation section.

TOOLS AND MATERIALS:



Plumbers Tape



Thread Sealant



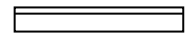
Pencil



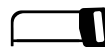
Adjustable Wrench



Tape Measure



Straight Edge



Hacksaw



Silicone Sealant
(100% Neutral Cure)



Damp Cloth



Level



Plumb Line



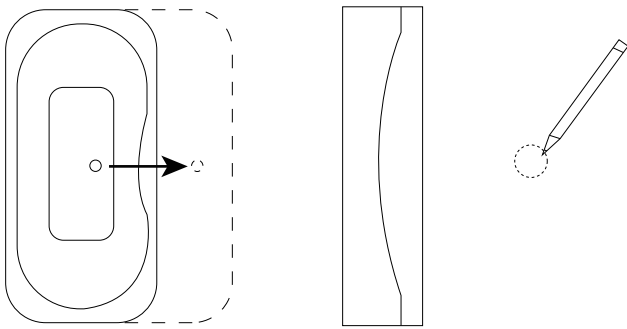
STAINLESS STEEL TUB INSTALLATION

INSTALLATION

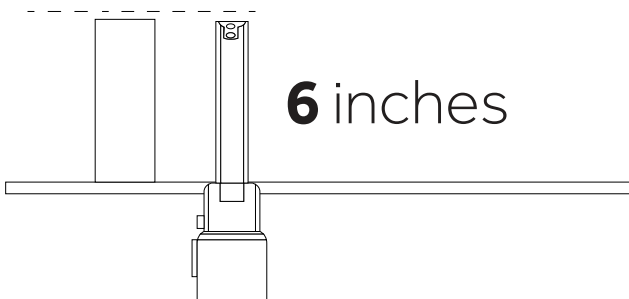
Proceed to the appropriate drain configuration to complete rough-in and installation.

TUB AND DRAIN WITHOUT OVERFLOW

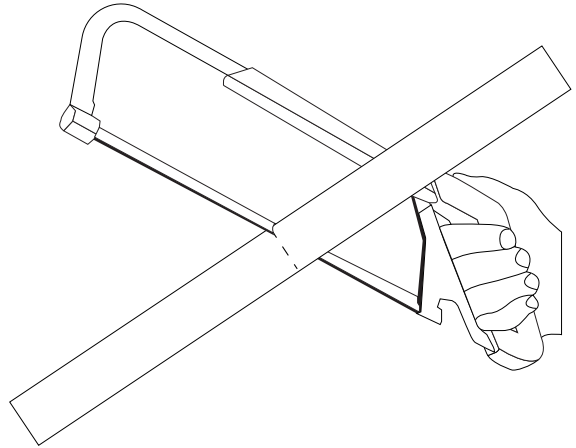
1. Set the tub in the desired installation location and mark the drain hole location on the floor.



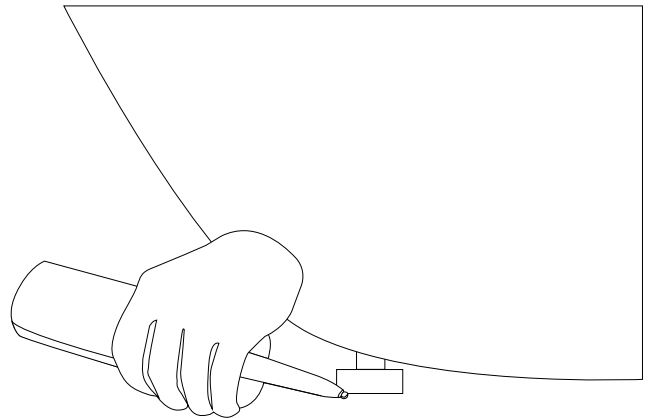
2. Move the tub away from the installation location so that plumbing can be installed. The drain pipe should extend approximately 6" above the finished floor.



3. When the floor is finished, measure and cut the drain pipe to the appropriate length for the type of drain that is being used.



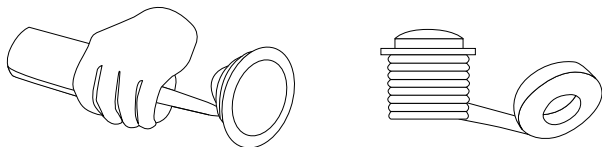
4. Carefully set the tub in position. If the tub has leveling feet, adjust as necessary until level and apply a generous bead of silicone under each foot. If your tub does not have leveling feet, shims can be used for leveling if your floor is not flat.



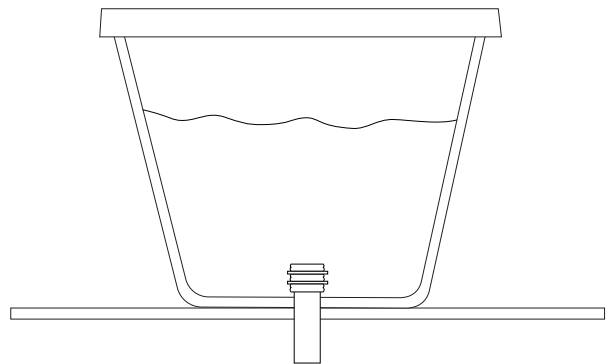


STAINLESS STEEL TUB INSTALLATION

5. Apply 100% neutral cure silicone sealant to the underside of the drain flange and thread it through the tub and into the drain pipe. Apply thread sealant or plumber's tape to the threaded connection to ensure a water-tight seal. Tighten by hand. Wipe away any excess sealant using a damp cloth.



6. Fill the tub with water to check for any leaks from the connections. Verify that the drain is working properly.

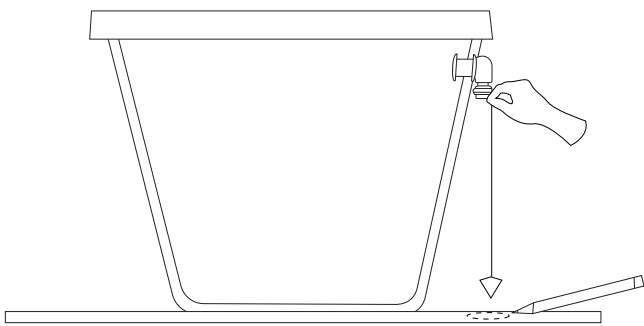




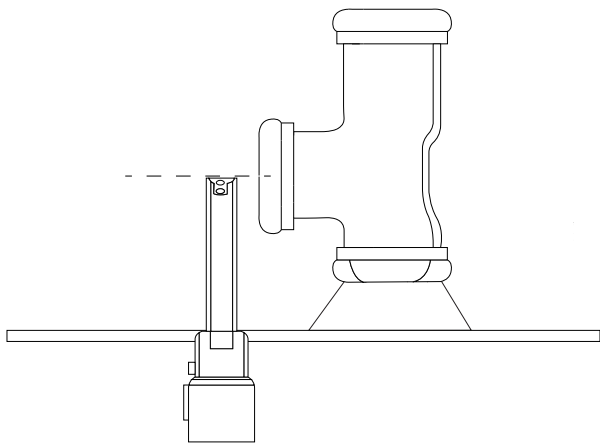
STAINLESS STEEL TUB INSTALLATION

TUB AND DRAIN WITH OVERFLOW

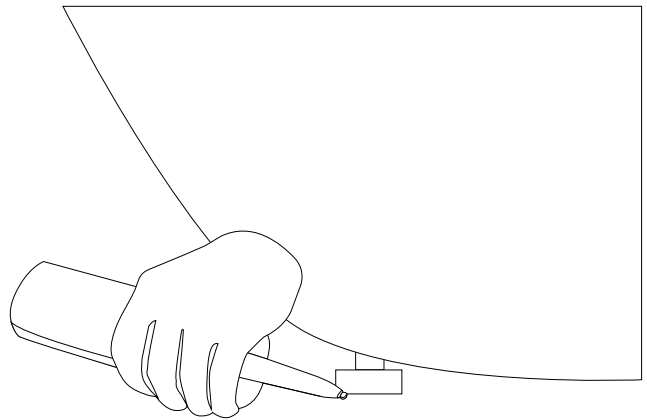
1. Set the tub in the desired installation location and drop a plumb line from the center of the overflow hole to the floor. This will determine your drain location. Mark the drain hole location on the floor.



2. Move the tub away from the installation location so that the plumbing can be installed. Place the drain pipe at the appropriate height for waste and overflow piping. To determine this, you will need to temporarily fit your drain pipe into the tub and measure from the floor to the center of the drain pipe

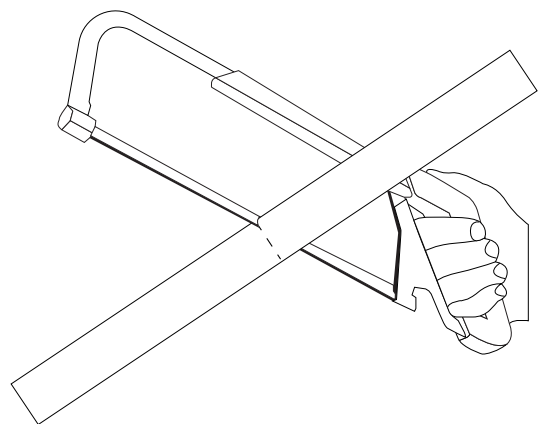


3. Carefully set the tub in position. If the tub has leveling feet, adjust as necessary until level and apply a generous bead of silicone under each foot. If your tub does not have leveling feet, shims can be used for leveling if your floor is not flat.



4. Next you will need to trim your drain and overflow pipes to the appropriate sizes. Steps 5-8 will walk you through.

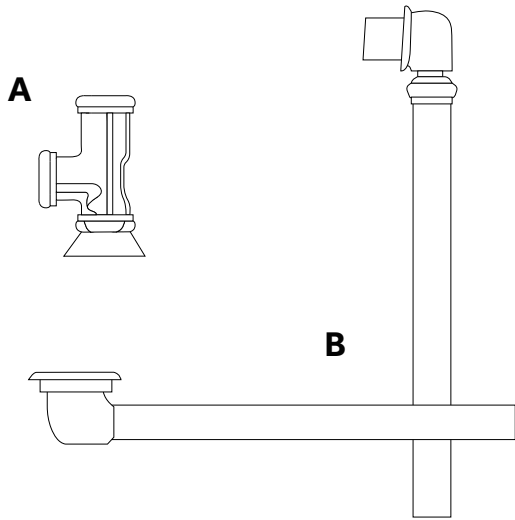
5. To trim the drain and overflow pipes appropriately, you will need to temporarily install the overflow and drain assemblies into the tub.



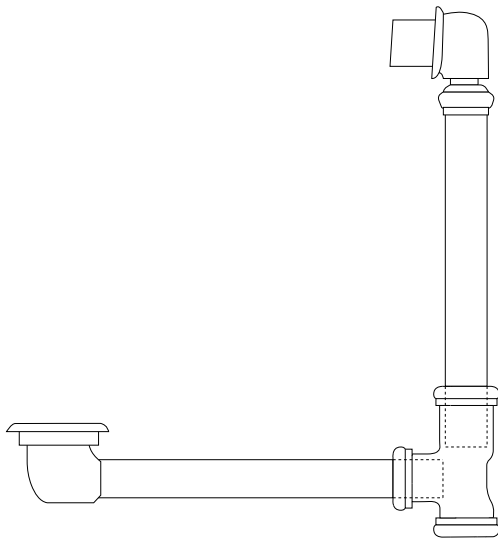


STAINLESS STEEL TUB INSTALLATION

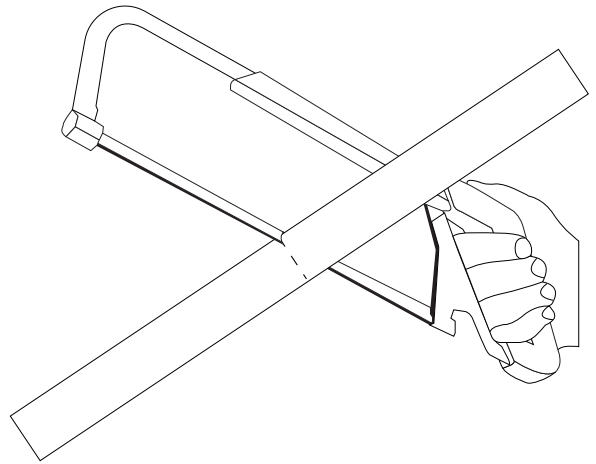
6. The overflow tee (A) will be attached at the points where the drain pipes intersect (B).



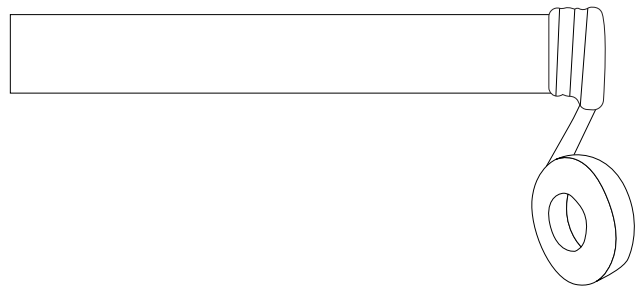
7. Measure and mark each pipe so that the end of the pipe reaches at least a little bit over halfway into the overflow tee.



8. Remove the drain and overflow assembly from the tub, and trim the pipes at the marked locations with a hacksaw. Make sure that the blade is suitable for cutting metal.



9. Apply thread sealant or plumber's tape to the threaded ends of all pipes prior to assembly. If two pipes arrive attached, be sure to take them apart and do the same. Do not apply any tape or sealant to any compression fittings. Follow steps 10-13 for drain assembly instructions.





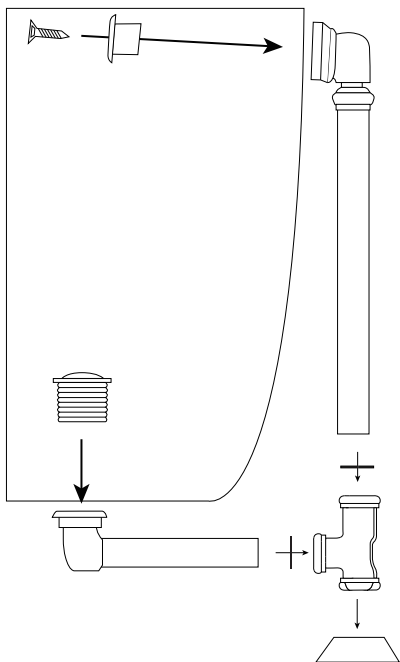
STAINLESS STEEL TUB INSTALLATION

10. Apply 100% neutral cure silicone sealant to the underside of the drain flange and thread it through the tub and into the drain pipe. Apply thread sealant or plumber's tape to the threaded connection to ensure a water-tight seal. Tighten by hand. Wipe away any excess sealant using a damp cloth.

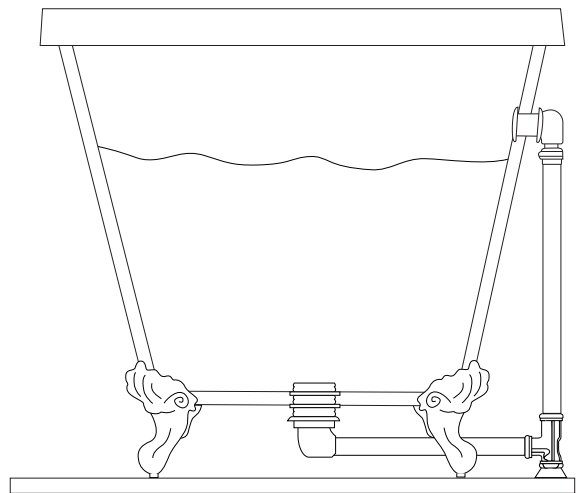
11. Install the overflow assembly with the beveled washer, overflow plate, mounting screw (provided) and any other washers or rubber sealing gaskets included. If your tub came with a 'Press and Seal' overflow, the pop-up flange will be used in place of the overflow plate and screw.

12. Attach the waste and overflow tee to the overflow assembly and shoe assembly with sealing washers and slip nuts. The beveled end of the sealing washer should face the tee.

13. Attach the drain tube and flange to the waste and overflow tee with the sealing washer and slip nut. The beveled end of the sealing washer should face the tee.



14. When your tub is in place and all the connections have been made, fill the tub with water to check for any leaks from the connections. Verify that the drain and overflow is working properly.





STAINLESS STEEL TUB INSTALLATION

CLEANING AND MAINTENANCE

It is recommended that you use a cleaner or polish that is designed specifically for stainless steel products. You may use a gentle soap, such as dish washing liquid and warm water. Acidic cleaners, such as lemon juice, should be avoided. We recommend the use of a soft sponge or microfiber washcloth. Do not use any abrasive cleaning pads or materials. Rinse with warm water and dry with a clean, soft cloth.

Minor scratches can be removed using a scratch remover designed specifically for stainless steel or metals. Refer to the directions for the product being used, as each scratch remover will have its own step-by-step procedure. For deeper scratches, wet sanding may be necessary using 600-grit (coarse) or 1000-grit (fine) sandpaper attached to a rubber sanding block. After sanding, use a stainless steel polish to restore shine if desired.