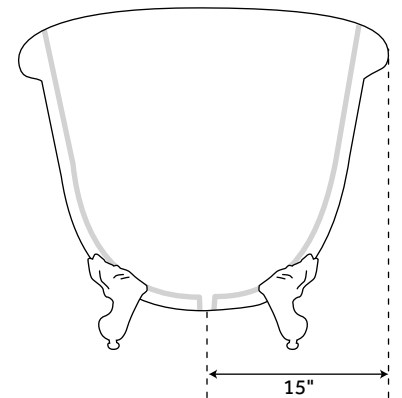
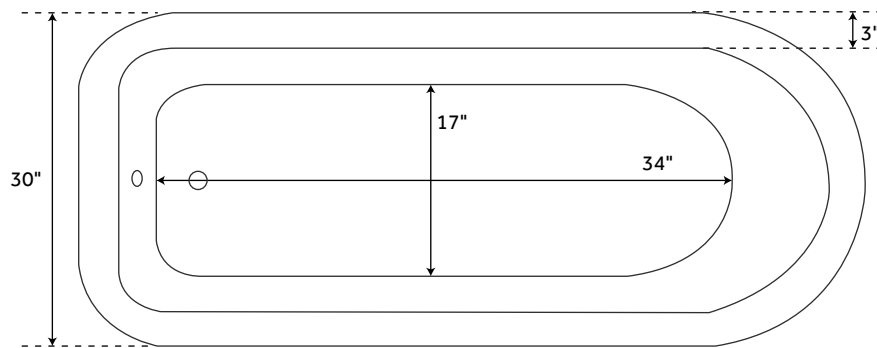
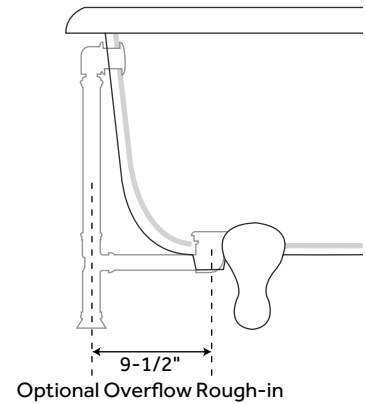
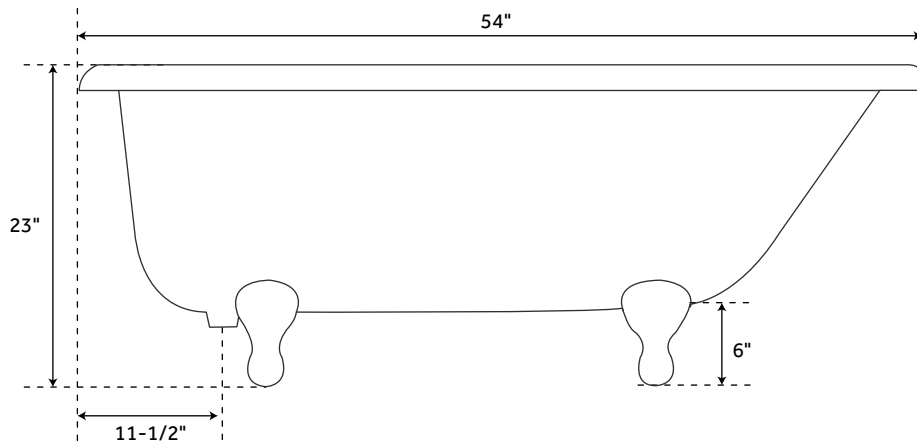


54" RAYNE

ACRYLIC CLAWFOOT TUB

SKU: 917206



FEATURES

Product Finish: White
Features: Custom Painting Available
Shape: Specialty
Material: Acrylic
Exterior Treatment: Smooth
Interior Treatment: Smooth
Feet Type: Ball & Claw
Feet Material: Cast Aluminum
Drain Included: No
Drain Placement: End
Faucet Included: No
Built-In Adjusters: Yes
Length: 54"
Width: 30"
Height: 23"
Water Capacity Without/With Overflow
(Gallons): 32/25
Water Depth Without/With Overflow:
13"/10-1/4"
Tub Weight Uncrated (lbs): 85
Tub Weight Crated (lbs): 300

SIGNATURE HARDWARE LIFETIME WARRANTY

See website for warranty information



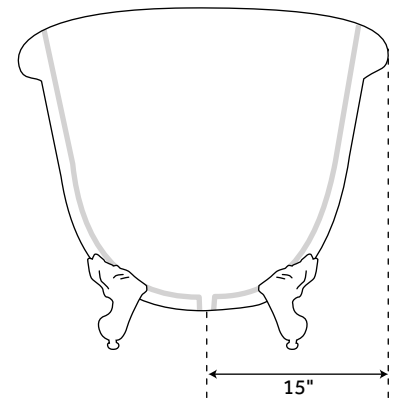
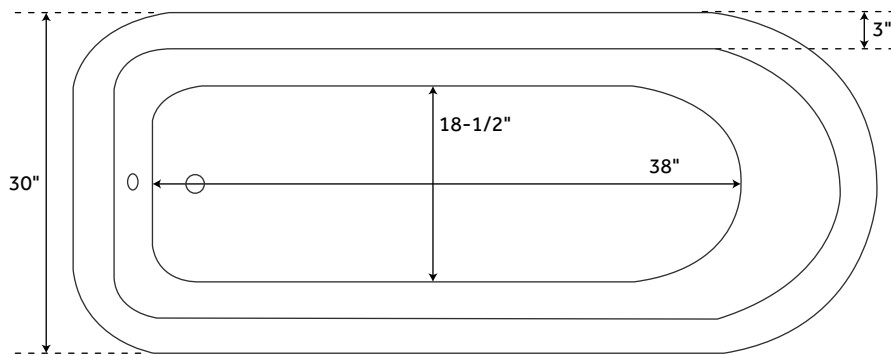
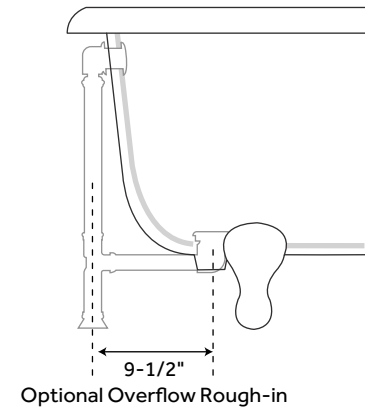
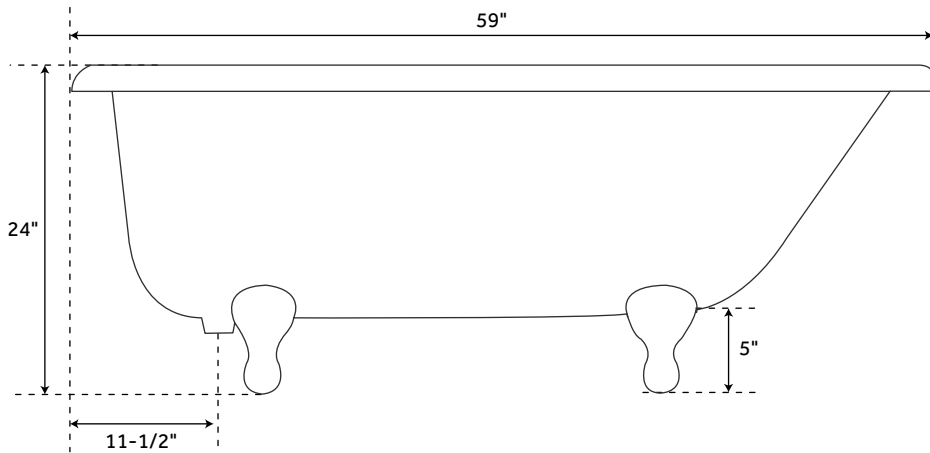
All measurements are approximate. Measurements may vary +/- 1/2".

REVISED 1/23/2019

59" RAYNE

ACRYLIC CLAWFOOT TUB

SKU: 917206



FEATURES

Product Finish: White
Features: Custom Painting Available
Shape: Specialty
Material: Acrylic
Exterior Treatment: Smooth
Interior Treatment: Smooth
Feet Type: Ball & Claw
Feet Material: Cast Aluminum
Drain Included: No
Drain Placement: End
Faucet Included: No
Built-In Adjusters: Yes
Length: 59"
Width: 30"
Height: 24"
Water Capacity Without/With Overflow (Gallons): 50/42
Water Depth Without/With Overflow: 16-1/2"/13-3/4"
Tub Weight Uncrated (lbs): 150
Tub Weight Crated (lbs): 375

SIGNATURE HARDWARE LIFETIME WARRANTY

See website for warranty information



All measurements are approximate. Measurements may vary +/- 1/2".

REVISED 1/23/2019