

Installation

INSTRUCTIONS

Professional Wall Hoods



Installation

INSTRUCTIONS

Professional Wall Hoods

Table of Contents (English)	3
Table de Matières (Français).....	24
Índice de Materias (Español)	47

**Models |
Modèles |
Modelos:**

PH30HWS
PH36HWS
PH48HWS
PH36GWS
PH42GWS
PH48GWS
PH54GWS
PH60GWS

Table of CONTENTS

Safety 4
 Important Safety Instructions 4
 Advanced Planning 6
 Before You Begin 6
 General Information 7
 Installation Instructions 8
 Installation Considerations 8
 Electrical Requirements 9
 Ductwork Preparation 10
 Common Ducting Configurations 12
 Choosing the Correct Blower 13
 Hood Transition 13
 Wall Mount Installation 14
 Back Wall Preparation 14
 Cabinet Installation 17
 Blower Motor Installation 17
 Electrical Wire Connection 20
 Remote Control Installation (optional) 20
 Make-Up Air Damper Relay Switch (optional) 21
 Duct Cover Installation (optional) 21
 Installing Grease Trays, Filters and Spacers 23
 Heat Lamp Installation (some models) 22
 Installer Checklist and Service 23
 Installer Checklist 23
 Before Calling Service 23
 Product Data Rating Label 23
 Support, Parts and Accessories back page

Safety DEFINITIONS

▲ WARNING

This indicates that death or serious injuries may occur as a result of non-observance of this warning.

▲ CAUTION

This indicates that minor or moderate injuries may occur as a result of non-observance of this warning.

NOTICE: This indicates that damage to the appliance or property may occur as a result of non-compliance with this advisory.

Note: This alerts you to important information and/or tips.

This THERMADOR® appliance is made by
 BSH Home Appliances Corporation
 1901 Main Street, Suite 600
 Irvine, CA 92614

Questions?
 1-800-735-4328
 www.thermador.com

We look forward to hearing from you!

⚠ IMPORTANT SAFETY INSTRUCTIONS READ AND SAVE THESE INSTRUCTIONS

INSTALLER: Save these instructions for the local electrical inspector's use. Please leave these instructions with this unit for the owner. Show the owner the location of the circuit breaker or fuse. Mark it for easy reference.

OWNER: Read and save these instructions. Please retain these instructions for future reference.

⚠ WARNING



If the information in this manual is not followed exactly, a fire or explosion may result causing property damage, personal injury or death.

-
- DO NOT store or use gasoline or other flammable vapors and liquids in the vicinity of this or any other appliance.
 - WHAT TO DO IF YOU SMELL GAS
 - DO NOT try to light any appliance.
 - DO NOT touch any electrical switch.
 - DO NOT use any phone in your building.
 - Immediately call your gas supplier from a neighbor's phone. Follow the gas supplier's instructions.
 - If you cannot reach your gas supplier, call the fire department.
 - Installation and service must be performed by a qualified installer, service agency or the gas supplier.
-

⚠ WARNING

Turn off power circuit at service panel and lock out panel before wiring this appliance. Requirement: 120 VAC, 60 Hz, 15 A or 20 A for some models. Allow the appliance to cool after the power has been turned off before servicing the appliance.

⚠ WARNING

Automatically Operated Device

To reduce the risk of injury disconnect from power supply before servicing.

⚠ WARNING

TO REDUCE THE RISK OF FIRE, ELECTRIC SHOCK, OR INJURY TO PERSONS, OBSERVE THE FOLLOWING:

- Use this unit only in the manner intended by the manufacturer. If you have questions, contact the manufacturer.
 - Before servicing or cleaning unit, switch power off at service panel and lock the service disconnecting means to prevent power from being switched on accidentally. When the service disconnecting means cannot be locked, securely fasten a prominent warning device, such as a tag, to the service panel. Contact the manufacturer at the address or telephone number listed on the back page.
-

⚠ WARNING

DO NOT repair or replace any part of the appliance unless specifically recommended in the manuals. Improper installation, service or maintenance can cause injury or property damage. Refer to this manual for guidance. All other servicing should be done by a qualified technician.

⚠ WARNING



ELECTRICAL SHOCK HAZARD

- **DO NOT** remove connections.
 - **DO NOT** use an extension cord.
 - Improper grounding can result in a risk of electric shock.
 - Failure to follow these instructions can result in death, fire, or electrical shock.
-

⚠️ IMPORTANT SAFETY INSTRUCTIONS

READ AND SAVE THESE INSTRUCTIONS

Grounding Instructions

This appliance must be grounded. In the event of an electrical short circuit, grounding reduces the risk of electric shock by providing an escape wire for the electric current.

Be sure your appliance is properly installed and grounded by a qualified technician. Installation, electrical connections and grounding must comply with all applicable codes.

If required by the National Electrical Code (or Canadian Electrical Code), this appliance must be installed on a separate branch circuit.

⚠️ WARNING

To reduce the risk of fire or electric shock, **DO NOT** use this appliance with any solid-state speed control devices.

Safety Codes and Standards

This appliance complies with one or more of the following Standards:

- UL 507, The Standard for the Safety of Electric Fans
- CSA C22.2 No. 113, Fans and Ventilators

It is the responsibility of the owner and the installer to determine if additional requirements and/or standards apply to specific installations.

⚠️ CAUTION



Unit is heavy and requires at least two people or proper equipment to move and install.

Hidden surfaces may have sharp edges. Use caution when handling the appliance. Failure to do so may result in property damage or personal injury.

State of California Proposition 65 Warning:

⚠️ WARNING

This product can expose you to chemicals including vinyl chloride, which is known to the State of California to cause cancer and birth defects or other reproductive harm. For more information go to www.P65Warnings.ca.gov.

Never modify or alter the construction of the appliance. For example, do not remove panels, wire covers or brackets/screws.

⚠️ CAUTION

For general ventilating use only. **DO NOT** use to exhaust hazardous or explosive materials and vapors. To reduce the risk of fire, use only metal ductwork.

Use a qualified installer.

Remove all tape and packaging before using the appliance. Dispose of packaging in an environmentally-responsible manner. Never allow children to play with packaging material.

⚠️ WARNING

TO REDUCE THE RISK OF FIRE, ELECTRIC SHOCK, OR INJURY TO PERSONS, OBSERVE THE FOLLOWING:

- Installation work and electrical wiring must be done by qualified person(s) in accordance with all applicable codes and standards, including fire-rated construction.
 - Sufficient air is needed for proper combustion and exhausting of gases through the flue (chimney) of fuel burning equipment to prevent back drafting. Follow the heating equipment manufacturer's guideline and safety standards such as those published by the National Fire Protection Association (NFPA), and the American Society for Heating, Refrigeration and Air Conditioning Engineers (ASHRAE), and the local code authorities.
 - When cutting or drilling into wall or ceiling, do not damage electrical wiring and other hidden utilities.
 - Ducted fans must always be vented to the outdoors.
 - **USE ONLY METAL DUCTWORK.**
 - **DO NOT** vent exhaust air in spaces with walls or ceilings or into attics, crawl spaces or garages.
-

⚠️ CAUTION

An outside fan is to be mounted behind louvers or in a location where the entrance of drawn in water is unlikely.

Advanced Planning

Before You Begin

⚠ CAUTION

Before installing, turn power OFF at the service panel. Lock service panel to prevent power from being turned ON accidentally.

Parts included

- Metal transition with backdraft damper
- Stainless steel baffle filters
- Stainless steel grease trays
- Stainless steel filter spacers
- Heat lamps (on PHxxGWS models)
- Blower adapter
- Wood support bracket used as hood mounting bracket (part of install- **DO NOT THROW AWAY**)
- Fastener assortment*

* Hardware provided is for mounting through standard thickness drywall or plaster into wood studs. Installers are responsible to provide hardware for other types of mounting situations.

Tools and Parts Needed

- Blower (refer to the *Ventilation Planning Guide* for compatible blowers)
- Ducting as needed (refer to Equivalent Duct Lengths for Commonly Used Transitions Table)
- Aluminum tape (**DO NOT use duct tape.**)
- 1/2" (13 mm) Conduit if required (follow local codes)
- 1" (25.4 mm) Strain relief
- Phillips screwdriver
- T-20 Torx head screwdriver
- Drill with 3/16" (4.76 mm) drill bit
- 11/32" nut driver or socket and ratchet
- Circular saw or jigsaw
- Tape measure
- Protective work gloves

IMPORTANT: DO NOT throw away any packaging until appliance is fully installed.

Optional accessories available for separate purchase

Refer to www.thermador.com for more details.

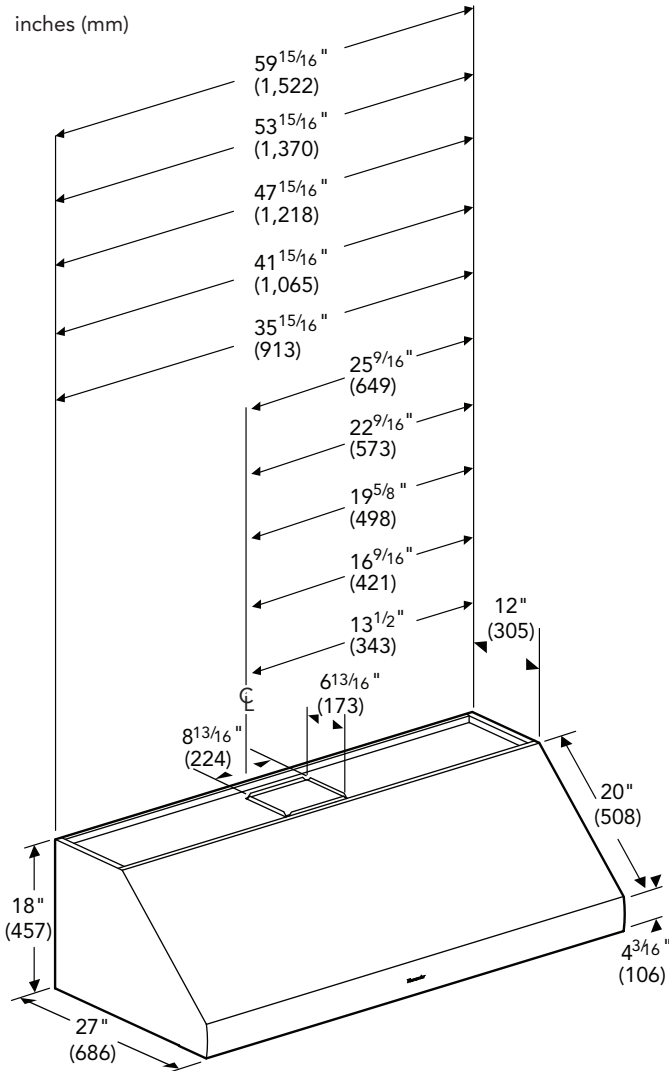
- DC***W – 6 in. tall Duct Cover
- DC**TW – 20 in. – 54 in. Telescoping Duct Cover
- REMCPW – Remote Control Panel
- EXTNCB25W – 25 ft. Remote and Inline Blower Extension Cable
- WC8 - 8" Wall Cap
- WC10 - 10" Wall Cap
- RFPLT600P - Roof plate for use with 600 CFM Remote Blower VTR630
- RFPLT1000P - For use with 1000 CFM Remote Blower VTR1030 and 1300 CFM Blower VTR1330

General Information

Overall Dimensions

PHxxGWS

This model series is 27" (686 mm) in depth and features brushed stainless-steel canopy with LED lights and heat lamps.

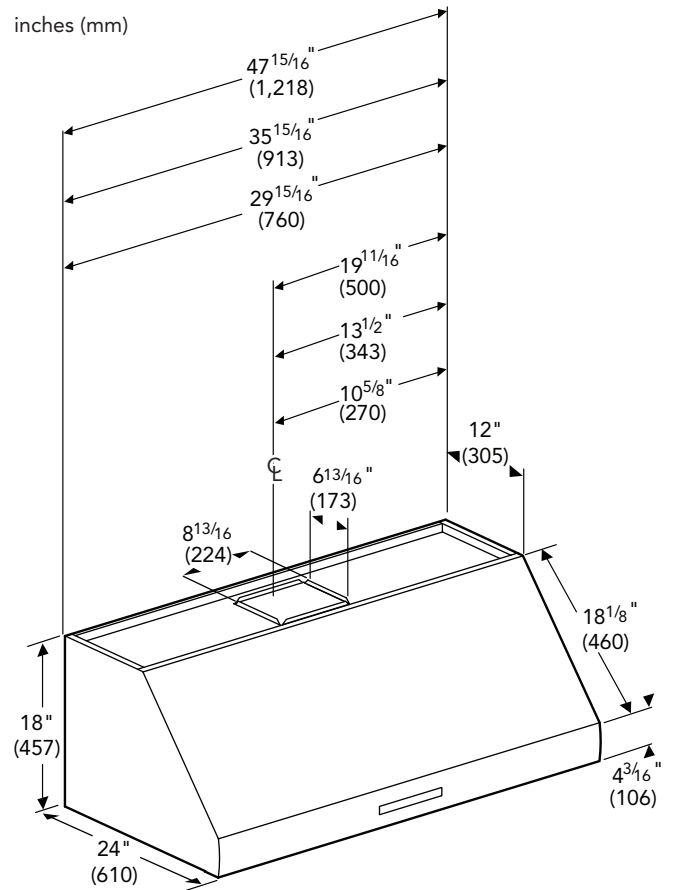


NOTE: Transition is centered horizontally.

IMPORTANT: The hood needs to be centered over the cooking surface for best performance.

PHxxHWS

This model series is 24" (610 mm) in depth and features brushed stainless-steel canopy with LED lights.



NOTE: Transition is centered horizontally.

IMPORTANT: The hood needs to be centered over the cooking surface for best performance.

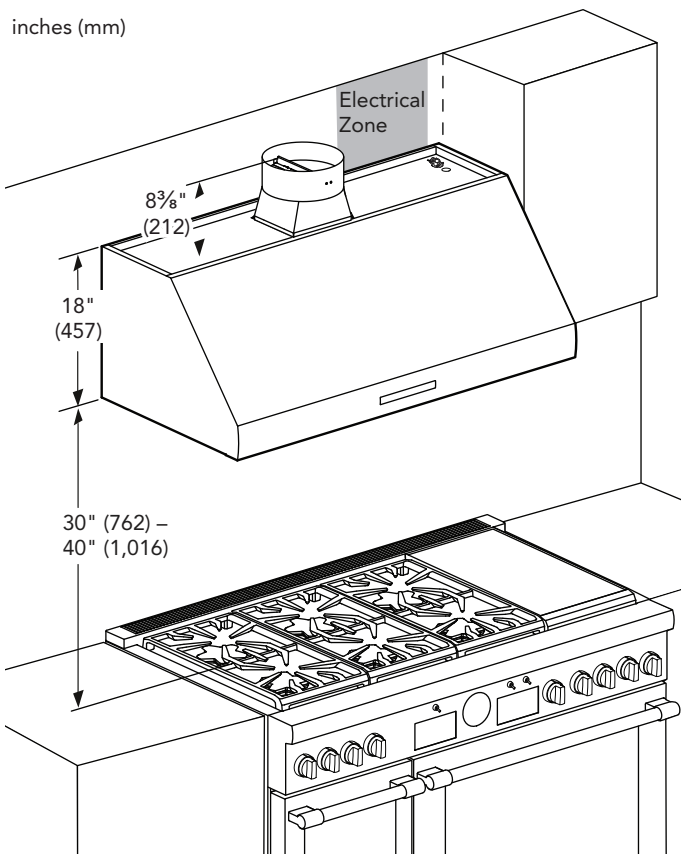
Installation Instructions

Installation Considerations

Clearances and requirements

The wall hood requires the ducting to be vented to the outside. It cannot be used in conjunction with a recirculation unit.

Hood installation height above a cooktop, rangetop or range can vary. To obtain the necessary installation height above a cooktop, rangetop or range, consult the appliance's installation manual.



*Follow cooking appliance manufacturer's recommendations.

NOTICE: The hood could incur some damage from heat if a Thermador Professional® series range or rangetop is operated with multiple burners at high settings under a hood that is installed at minimum clearances while the hood is turned off.

Hood Width

The hood width should be no less than the width of the cooking surface. For proper performance, the housing must cover the entire cooking surface.

For proper performance, the hood must be centered horizontally above the cooking surface. Where space is not restricted, a wider hood can be used to increase capture area.

Distance From Cooking Surface

The installation height ranges from a minimum height of 30" (762 mm) to a suggested maximum height of 40" (1,016 mm); however, it is necessary to follow the cooking appliance manufacturer's installation instructions for proper hood height.

Unit Weight

This vent hood is heavy. Adequate structure and support must be provided in all types of installations. When calculating the load for the housing support system, be sure to consider the weight of the ventilation unit.

Description	Weight
PH30HWS	62 lb (28 kg)
PH36HWS	70 lb (32 kg)
PH48HWS	85 lb (39 kg)
PH36GWS	75 lb (34 kg)
PH42GWS	84 lb (38 kg)
PH48GWS	90 lb (41 kg)
PH54GWS	96 lb (44 kg)
PH60GWS	103 lb (47 kg)
Integral Blower VTN1090R	23 lb (11 kg)
Integral Blower VTN630W	11 lb (5 kg)

NOTICE:

The supplied weights address only the ventilation unit and blower. Installer must account for weight of any materials of construction when calculating the total dead weight load of installation, including but not limited to: wall, tile, mortar, plaster, brick, finishes, partitions, and other similarly incorporated architectural and structural items. It is the responsibility of the owner and the installer to determine if additional requirements and/or standards apply to specific installations.

Blower Motors

Integral, In-line and Remote blowers are available through your authorized Thermador® dealer. For local dealer information, visit the *Find a Dealer* section of our website at www.thermador.com.

The blower performance options will vary in cubic feet per minute (CFM) and is dictated by the cooking surface, the volume of air that needs to be moved and the length of the duct run. Refer to the *"Blower Motor Installation"* section for detailed blower motor information.

Support Structure

Due to the weight of the hood, make sure the wood mounting bracket is attached to all available wall studs.

Framing must be fastened together and to ceiling joists to provide enough structural strength to support the weight of the hood and internal blower, if applicable.

Wall framing should be, at minimum, made of 2"x 4" lumber. Proper structural support is required to accommodate the weight of the hood.

Electrical Requirements

The unit requires a 120V AC, 60Hz, 15A branch circuit. The VTR1330 blower in conjunction with a PHxxGWS requires a 20 amp circuit breaker. The hood should only be connected to a dedicated circuit (with ground) that has been installed according to relevant regulations.

When connected to a GFCI-protected supply, Thermador Professional® hoods are suitable for use in damp locations that are protected from outside weather conditions and not subject to saturation with water and other liquids, but can be subject to moderate degrees of moisture (such as an outdoor covered patio or lanai area). Refer to local codes, NEC/CEC, and or the Authority Having Jurisdiction (AHJ) for additional information.

Check your local building codes for proper method of installation. In the U.S., this unit should be installed in accordance with applicable local codes or, in the absence of local codes, with the National Electrical Code, NFPA 70 or the Canadian Electric Code, CSA C22.1-02.

⚠ WARNING

The appliance must be grounded.

NOTE: The 25 ft. Remote and In-line Blower Extension Cable accessory (EXTNCB25W) will only work for distances up to 25 ft. The accessory cable must be purchased separately. **DO NOT** use more than one Blower Extension Cable per installation.

Electrical Data

Data, including the model and serial number, is located on the product data rating label inside the appliance, visible after removal of the filter frame (see "Product Data Rating Label").

Ductwork Preparation

Discharge Direction

The exhaust air is discharged upwards through a duct or directly through the outside wall into the open.

Ducting Recommendations

Proper performance is dependent upon proper ducting. Local building codes may require the use of make-up air systems when using ducted ventilation systems greater than specified cubic feet per minute (CFM) of air movement. The specified CFM varies from locale to locale. It is the responsibility of the owner and the installer to determine if additional requirements and/or standards apply to specific installations.

DO NOT USE FLEXIBLE DUCT; it creates back pressure/air turbulence and reduces performance. Always install a metal vent cover where the ductwork exits the house. Hood must be vented to the outside of building only.

COLD WEATHER installations should have an additional backdraft damper installed to minimize backward cold air flow and a nonmetallic thermal break to minimize conduction of outside temperatures as part of the ductwork. The damper should be on the cold air side of the thermal break. The break should be as close as possible to where the ducting enters the heated portion of the house.

MAKE-UP AIR: Local building codes may require the use of make-up air systems when using ducted ventilation systems greater than specified CFM of air movement. The specified CFM varies from locale to locale. It is the responsibility of the owner and the installer to determine if additional requirements and/or standards apply to specific installations.

To reduce risk of fire and to properly exhaust air, be sure to duct air outside. Do not vent exhaust air in spaces with walls or ceilings or into attics, crawl spaces or garages.

The unit cannot be used in conjunction with a recirculation unit.

Thermador recommends not exceeding 50 ft (15.24 m) equivalent of duct.





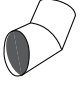
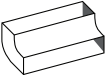
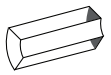
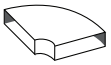
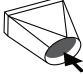

Keep duct runs as short and straight as possible. Elbows and transitions fittings reduce air flow efficiency. Back to back elbows and "S" turns give very poor delivery and are not recommended.

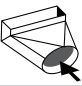
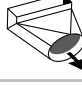
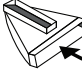
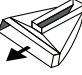
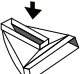

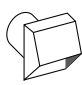

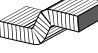

A short, straight length of duct at the inlet of a remote blower gives the best delivery.

Hoods are supplied with a 10" (254 mm) transition. A locally supplied transition is required for other sizes.

Use the *"Equivalent Duct Lengths for Commonly Used Transitions"* table to compute permissible lengths for duct runs to outdoors.

Equivalent Duct Lengths for Commonly Used Transitions

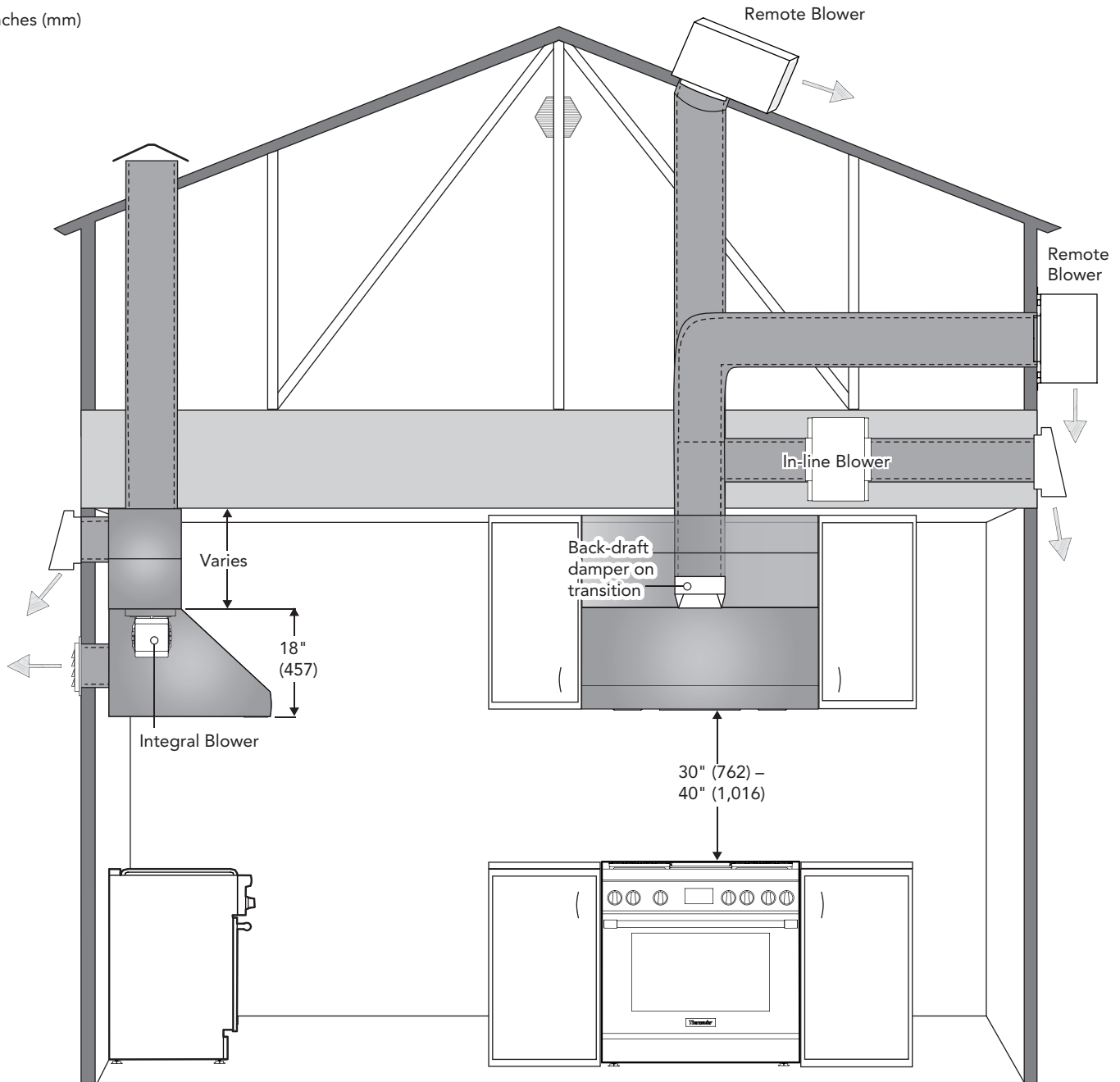
Duct Piece	Size (in)	Equivalent Length (ft)
 Smooth, straight	6	1.2
	8	0.7
	10	0.6
 3/4" x 10", straight	N/A	1
 3/4" x 14", straight	N/A	0.7
 90° elbow , round	6	12
	8	6
	10	5
 45° elbow , round	6	5
	8	3
	10	2
 3/4" x 10", 90° elbow , round	N/A	5
 3/4" x 10", 45° elbow , round	N/A	15
 3/4" x 10", Flat elbow	N/A	20
 Round to 3/4" x 10"	6	1
	8	10
 3/4" x 10" to round	6	5
	8	2

Duct Piece	Size (in)	Equivalent Length (ft)
 Round to 3/4" x 10" 90° elbow ,	6	10
 3/4" x 10" to round 90° elbow ,	6	10
 3/4" x 10" Center reverse elbow , left	N/A	15
 3/4" x 10", Center reverse elbow , right	N/A	25
 3/4" x 10", Left reverse elbow	N/A	15
 3/4" x 10", Right reverse elbow	N/A	25
 Round wall cap	6	2
	8	2
	10	2
 Round roof cap	6	2
	8	2
	10	2
 2' long, 3/4" x 10" flex	N/A	20
 3/4" x 10", Roof jack and shutter	N/A	2

NOTE: These commonly used installation parts can be purchased at a local hardware store. Thermador does not manufacture all these parts.

Common Ducting Configurations

inches (mm)



NOTE: The figure does not represent all configurations or installation methods. The image is to be used as a guide ONLY.

Choosing the Correct Blower

It is recommended to use only Thermador blowers with Thermador ventilation hoods. See the *Ventilation Planning Guide* for recommended blowers. Contact Customer Service for additional options (see the back page for contact information).

IMPORTANT: Cutting off a connector to the appliance, blower, or to the extension cable kit will void the warranty.

Blower selection will vary based on the volume of air that needs to be moved and the length and location of the duct run. For long duct runs with multiple turns and bends, consider using a more powerful blower. For the most efficient air flow exhaust, use a straight run or as few elbows as possible.

Integral Blowers

These blowers are integrated into the hood at the time of installation.

Remote Blowers

Depending on preference and ducting situation, these blowers can be mounted on the roof or exterior wall of the home. An exterior installation may be more appealing to reduce noise in the kitchen.

In-line Blowers

To minimize noise in the kitchen, these blowers are mounted along the duct line anywhere between the kitchen and the exterior wall. If there is easy access to duct line (in an attic, for example), this may be an appealing option.

25 ft. Remote and In-line Blower Extension Cable

The 25 ft. Remote and In-line Blower Extension Cable (EXTNCB25W) is available to connect the hood to the In-line and Remote Blowers for distances up to 25 ft. Accessory cable must be purchased separately. **DO NOT** use more than one Blower Connector Cable per installation.

Hood Transition

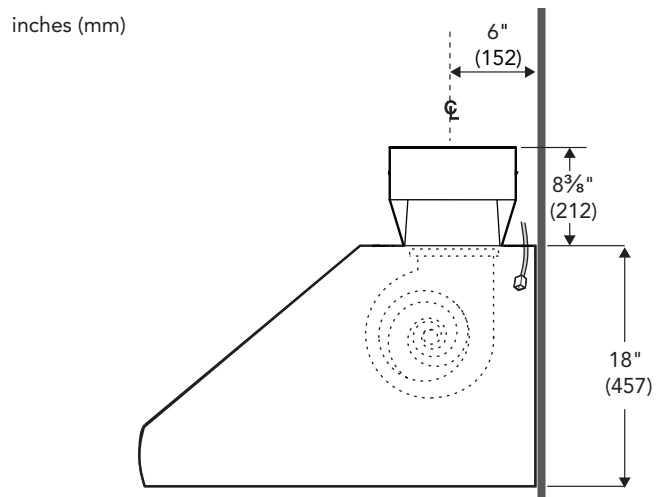
Discharge Direction

The hood can be mounted on a wall or suspended from a cabinet. Both vertical and horizontal discharge are possible with either mounting method.

Vertical Discharge Transition

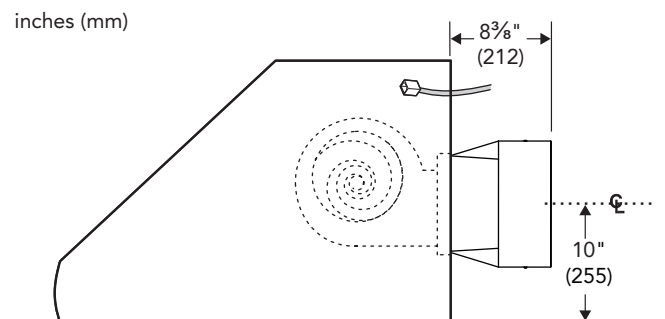
The hood is shipped ready for vertical discharge.

The transition supplied with the hood connects to standard 10-inch round duct. The figure shows the transition connected for vertical discharge.

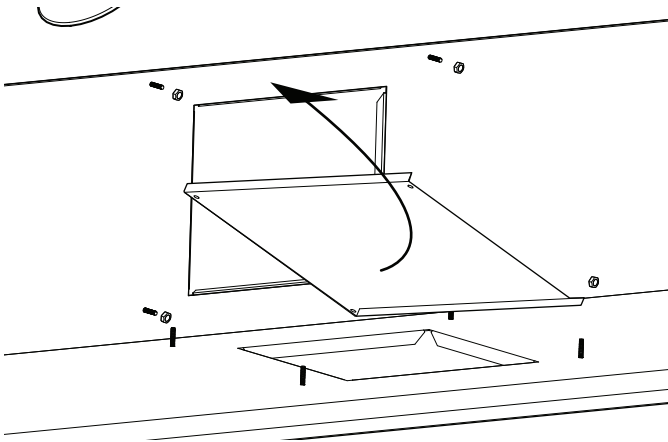


Horizontal Discharge Transition

The transition supplied with the hood connects to standard 10-inch round duct. The figure shows the transition connected for horizontal discharge.



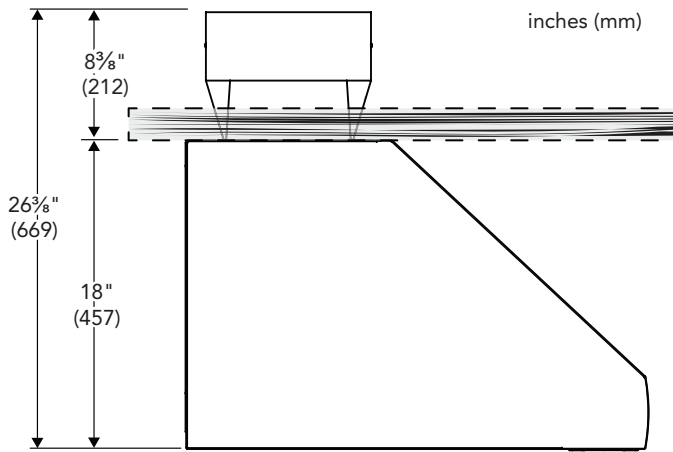
1. To change to horizontal discharge, move the discharge cover to the top of the hood. Use a 3/8" nut driver to remove the (4) 3/8" hex nuts from the plate.



Assembly of the Transition

Hoods are supplied with a 10" (254 mm) round transition. A locally supplied transition is required for other sizes.

The supplied transition mounts to the top or rear of the hood, depending on the discharge direction.

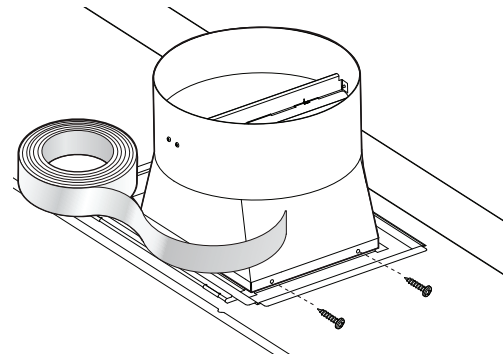


A minimum height clearance of 8-3/8" (212 mm) is needed above the hood for transition mounting.

2. Depending on direction of discharge, align mounting holes at base of transition with the mounting holes of the 1/2" (13 mm) flange located at the top or rear of the hood.
3. Fasten transition to hood using four (4) 1/4" (6 mm) sheet metal screws included with hood.

Note: Screws must not hinder damper operation.

4. Seal connection between transition and hood with aluminum tape. **DO NOT** use duct tape. Ensure that the connection is completely sealed.

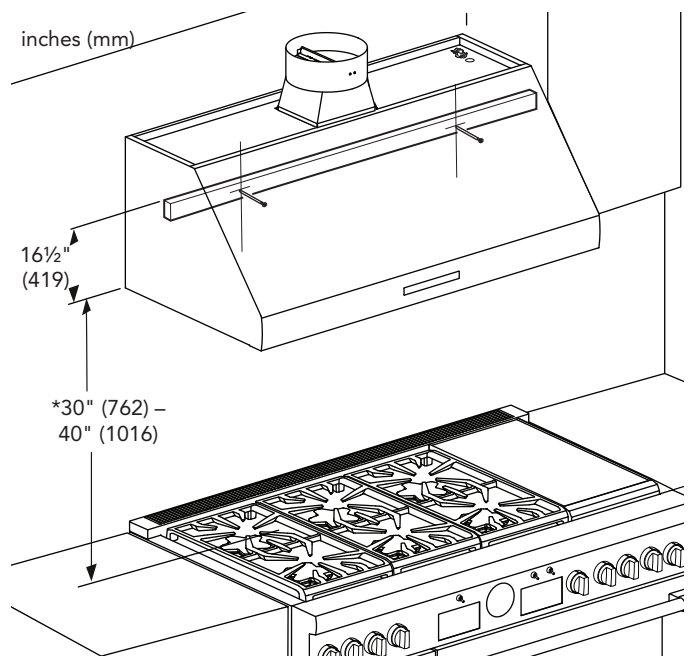


5. Remove tape holding damper closed.

Wall Mount Installation

Wood Hanging Bracket

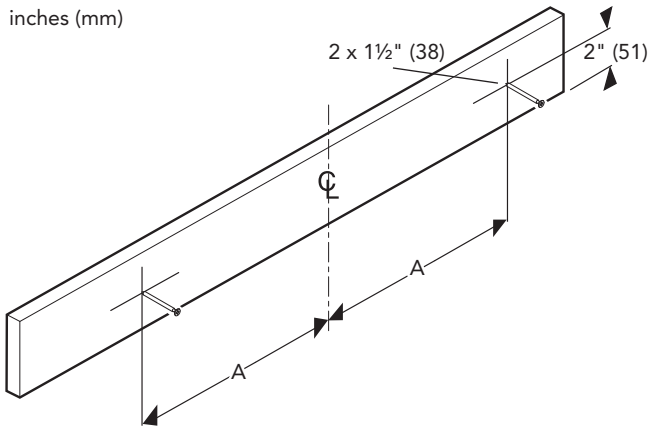
1. The installation height ranges from a minimum height of 30" (762 mm) to a maximum height of 40" (1,016 mm); however, it is necessary to follow the cooking appliance manufacturer's installation instructions for proper hood height. (See "Clearances and requirements" on page 8.)
2. After the hood installation height has been determined, draw a horizontal line at a distance above the cooktop equal to the recommended hood installation height plus 16 1/2" (419 mm). This line is the mounting location of the wood support bracket shipped with the hood.



*Follow cooking appliance manufacturer's recommendations.

- Find the centerline of the hood. Draw a vertical line along this centerline up to the horizontal line drawn in Step 2.
- The hood is mounted to the wall using the wood support bracket shipped with the hood. Remove the wood support bracket located at the top side of the hood by removing the two shipping screws. Mark the center line of the wood bracket.
- Locate a stud on both sides of the hood centerline to use for mounting the wood support bracket.
- Align the top of the wood bracket along the horizontal line drawn in Step 2. Align the centerlines of the bracket and cooktop.
- Drill a 3" (76 mm) deep 3/16" (3 mm) tap hole through the wood support bracket, wall, and into the stud.
- Use three, 3" (76 mm) screws to attach the bracket to the wall. For support of the hood, use three studs. Countersink the screw heads to prevent interference with the hood.
- On the wood bracket, mark the locations used to hang the hood according to the table below.

inches (mm)



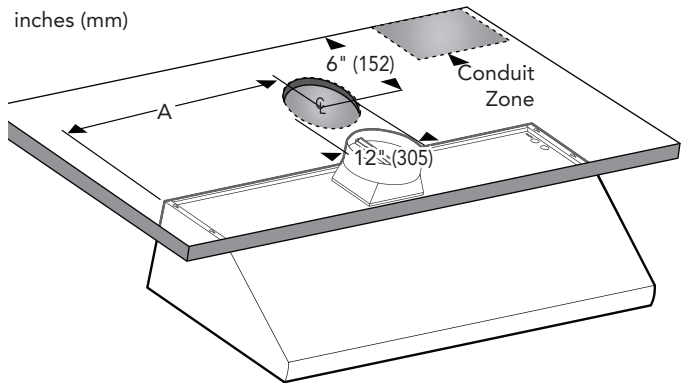
Hood Size	A
30" (762 mm)	13" (330 mm)
36" (914 mm)	16" (406 mm)
42" (1,067 mm)	19" (483 mm)
48" (1,219 mm)	22" (559 mm)
54" (1,372 mm)	25" (635 mm)
60" (1,524 mm)	28" (711 mm)

- Drill a 3/16" (4.8 mm) tap hole through the wood support bracket and wall. These 5/8" (16 mm) screws do not need to go into the studs.
- Use (2) 5/8" (16 mm) screws to secure the wood bracket leaving 1/4" (6 mm) of each screw exposed for hanging the hood.

Discharge Direction

Vertical Discharge Cutout

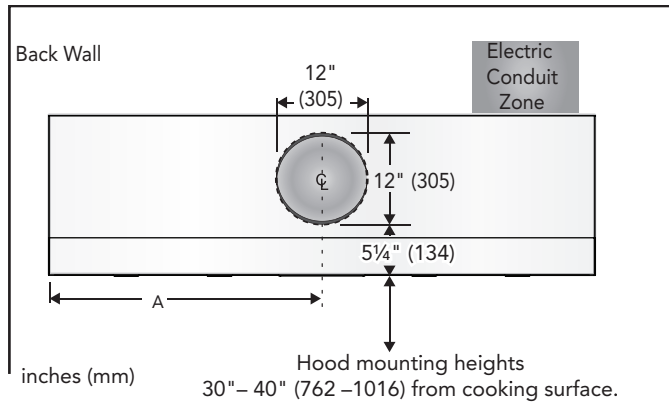
Vertical discharge installations require a cutout in the ceiling to accommodate 10" (254 mm) duct and 5/8" (16 mm) diameter clearance hole for 1/2" (12.7 mm) conduit to the junction box.



Hood Size	A
30" (762 mm)	15" (381 mm)
36" (914 mm)	18" (457 mm)
42" (1,067 mm)	21" (533 mm)
48" (1,219 mm)	24" (610 mm)
54" (1,372 mm)	27" (686 mm)
60" (1,524 mm)	30" (762 mm)

Horizontal Discharge Cutout

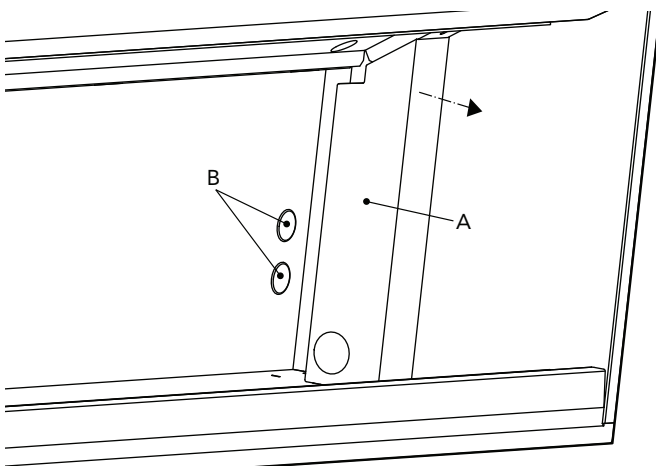
Horizontal discharge requires a wall cutout to provide clearance for the transition. The location of the cutout is determined by the hood installation height.



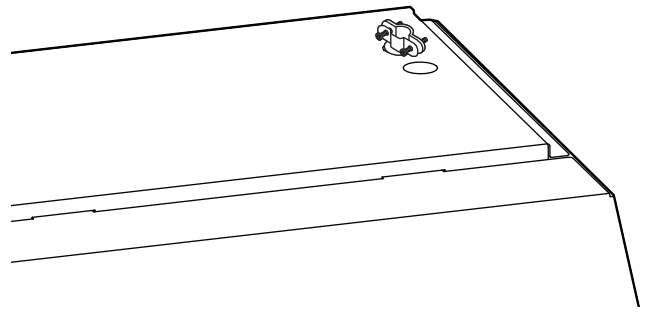
Hood Size	A
30" (762 mm)	15" (381 mm)
36" (914 mm)	18" (457 mm)
42" (1,067 mm)	21" (533 mm)
48" (1,219 mm)	24" (610 mm)
54" (1,372 mm)	27" (686 mm)
60" (1,524 mm)	30" (762 mm)

Prepare for the wire routing

- Remove junction box channel covering the wires (Figure, A).
- Remove one circular knockout behind junction box channel (Figure, B).

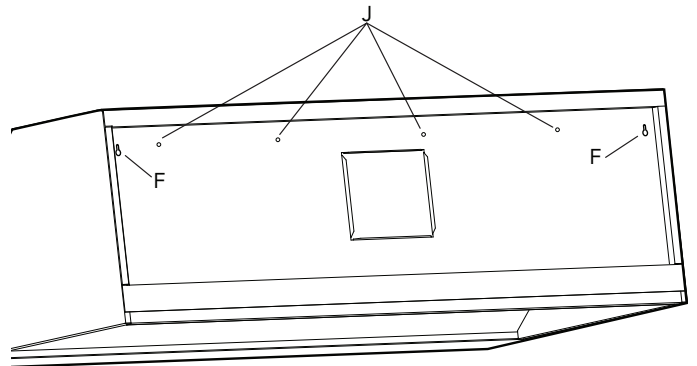


- Install strain relief (not included) into one of the circular knockouts.



Mounting hood to the wood bracket

- Before hanging hood, install the transition per "Assembly of the Transition" on page 14. Fasten transition with (2) 3/8" sheet metal screws (supplied) and aluminum tape per all applicable codes.
- Using two people to lift, rest the hood on the screws in the wood bracket. Use the keyholes labeled "F" in the figure. Make sure the wood bracket fits into the recess on the back of the hood.



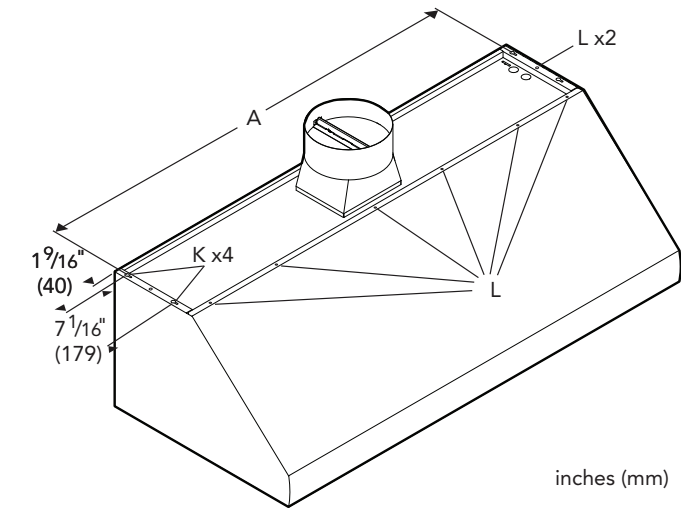
- Tighten the screws in keyholes. Check hood levelness and adjust if necessary.
- From inside the hood, drive 5/8" (16 mm) screws through holes in hood into wood support bracket. See holes labeled "J" in the figure.
- Connect additional ducting.

Cabinet Installation

The hood can be installed under a cabinet by supporting the hood from the top.

Note: The cabinet must be structurally joined to the wall studs to support the weight of this hood. Check the structural integrity of the cabinet/wall before proceeding.

The figure shows the (4) screw holes labeled "K" used for mounting the hood to the bottom of the cabinet. Make sure both knockouts have been removed (see "Prepare for the wire routing" on page 16).



Hood Size	A
30" (762 mm)	29" (737 mm)
36" (914 mm)	35" (889 mm)
42" (1,067 mm)	41" (1,041 mm)
48" (1,219 mm)	47" (1,194 mm)
54" (1,372 mm)	53" (1,346 mm)
60" (1,524 mm)	59" (1,499 mm)

1. In the base of the cabinet, drill 1/8" (3 mm) tap holes spaced as indicated by Dimension A.
2. Screw in (4) 1" (25 mm) screws (provided with hood) leaving 1/4" (6 mm) exposed to hang hood on.
3. If the hood is installed for vertical discharge, refer to "Vertical Discharge Transition" on page 13 to create clearance holes for passage of the transition and conduit.
4. For horizontal discharge, use See "Horizontal Discharge Transition" on page 13. for the geometry of the cutout required for clearance of the transition.
5. Hang hood from screws and tighten securely.
6. From inside of hood, insert screws supplied. Drill through holes, use 5/8" (16 mm) screws supplied, (1) on each side and (4) along the front, into bottom of the cabinet. See screw holes labeled "L" in figure.

Blower Motor Installation

Blower and Circuit Breaker Ratings

Blower	SKU	Voltage	Current	Breaker Amp
Remote	VTR630	120	4.2	15
Remote	VTR1030	120	5.7	15
Remote	VTR1330	120	8.5	15 / 20
In-line	VTI610	120	4.2	15
In-line	VTI1010	120	5.7	15
Integral	VTN630	120	4.2	15
Integral	VTN1090	120	5.4	15

9 CAUTION

To reduce the risk of fire and electric shock, install this range hood only with the blowers listed in the *Ventilation Planning Guide*.

NOTE: Cutting the plug of the blower will void the warranty or eligibility for return or exchange.

All blower models are sold separately. Use only Thermador blowers with these ventilation hoods. See the *Ventilation Planning Guide* for recommended blowers. Contact Customer Service for additional options.

All hood models are rated for 120V AC installed with a blower listed in the table above, using a 15 amp dedicated circuit breaker. The VTR1330 blower in conjunction with a PHxxGWS requires a 20 amp circuit breaker.

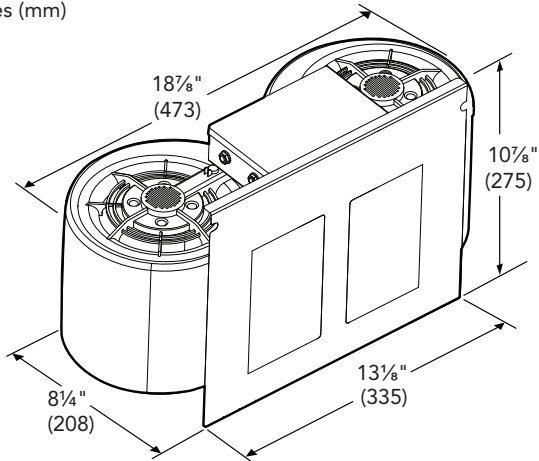
Blower selection will vary based on the volume of air that needs moved and the length and location of the duct run. For long duct runs with multiple turns and bends, consider using a more powerful blower. For the most efficient air flow exhaust, use a straight run or as few elbows as possible (refer to "Ductwork Preparation").

Integral Blower Installation

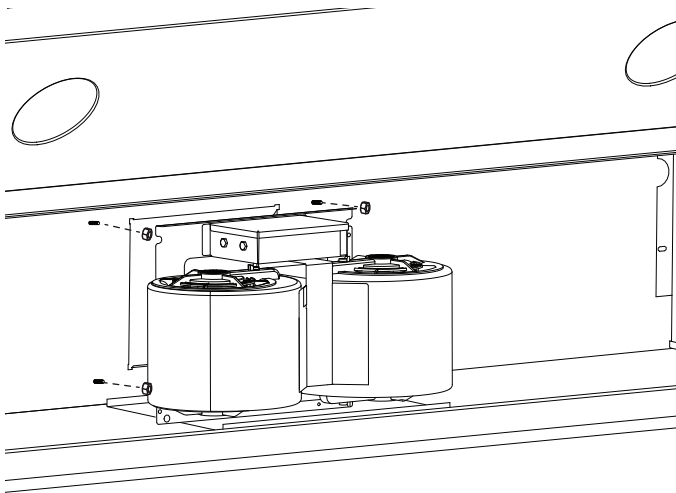
Integral Blower models are integrated into the hood at the time of installation. Integral Blowers should be installed after the hood is mounted to the wall.

For complete installation instructions see the instructions supplied with the blower unit.

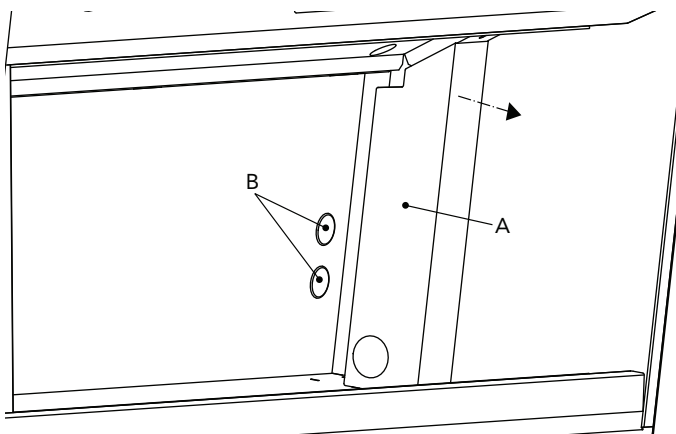
inches (mm)



1. The blower is attached to the hood using weld studs provided on the mounting plate. Guide the motor mounting plate over the studs.
2. Attach (4) nuts (included with hood) to the weld studs. Use a 3/8" nut driver to tighten nuts to secure the blower to the hood.



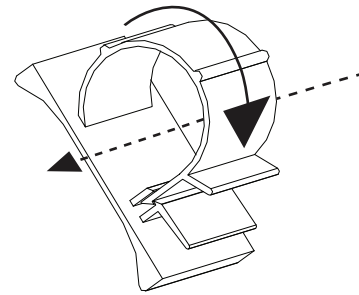
3. Remove junction box channel covering the wires.



4. Remove one circular knockout behind junction box channel.
5. Connect the blower's plug connector to the connector present inside the hood.



6. Route the blower harness through the self-locking clip.



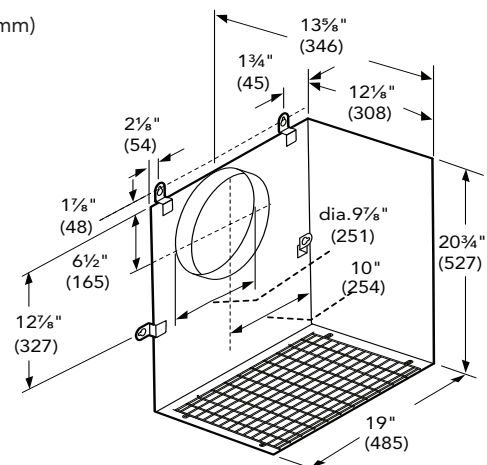
Installing a Remote Blower or an In-line Blower

For complete installation instructions see the instructions supplied with the blower unit.

Remote Blower

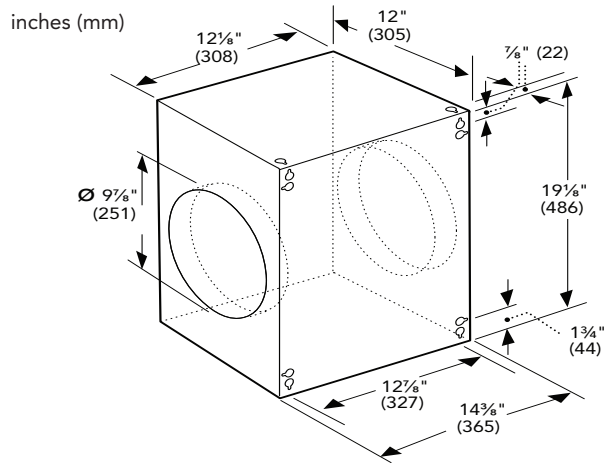
Depending on preference and ducting situation, these blowers can be mounted on the roof or exterior wall of the home. An exterior installation may be more appealing to reduce noise in the kitchen.

inches (mm)



In-line Blower

To minimize noise in the kitchen, these blowers are mounted along the duct line anywhere between the kitchen and the exterior wall. If there is easy access to duct line (in an attic, for example), this may be an appealing option.

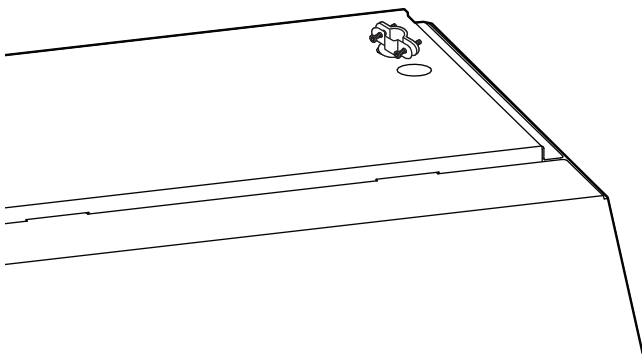


Blower Wire Connection

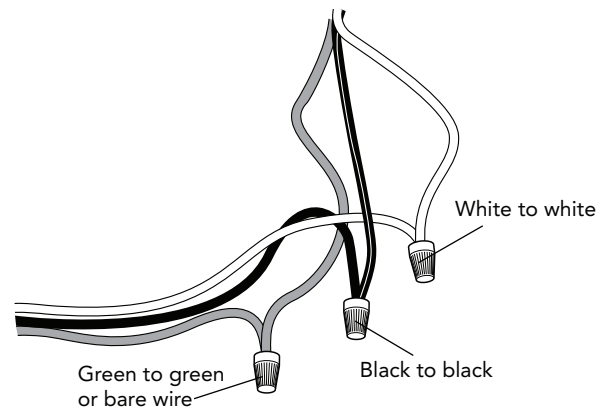
1. Remove junction box channel covering the wires.
2. Remove circular knockouts.
3. Route the blower motor's plug connector to the hood. Connect the blower's harness to the hood harness.
4. Route the blower harness through the self-locking clip.

Electrical Wire Connection

1. Run a 120V AC, 15 amp circuit power cable from the service panel through one of the holes in the top plate. The VTR1330 blower in conjunction with a PHxxGWS requires a 20 amp circuit breaker.



2. Connect black wire to power supply black wire, white wire to power supply white wire and green wire to green wire or bare wire.



3. Place all wiring connections inside the junction box channel. Reinstall on the top plate. Ensure that the wires are secure and that no wires are pinched.

EXTNCB25W 25 ft. Remote and In-line Blower Extension Cable (optional)

Parts Included

- 1 – 25ft cable
- 2 – Adapter Cables (NOT NEEDED for all models)

Blower Extension Cable Connection

The internal blower harness should be routed through the knockout and secured with a 1" (25.4 mm) strain relief. The remote harness can then be connected to the blower harness outside the unit.

NOTE: Cutting of the connector will void the warranty of the appliance.

The blower extension cable is compatible with the following In-line & Remote blowers:

Blower	SKU
Remote Blower	VTR630
Remote Blower	VTR1030
Remote Blower	VTR1330
In-line Blower	VTI610
In-line Blower	VTI1010

Built-in Remote Control Accessory (optional)

Before you begin, read these instructions carefully. It is recommended that the Remote Control be wired to the hood after the hood is installed.

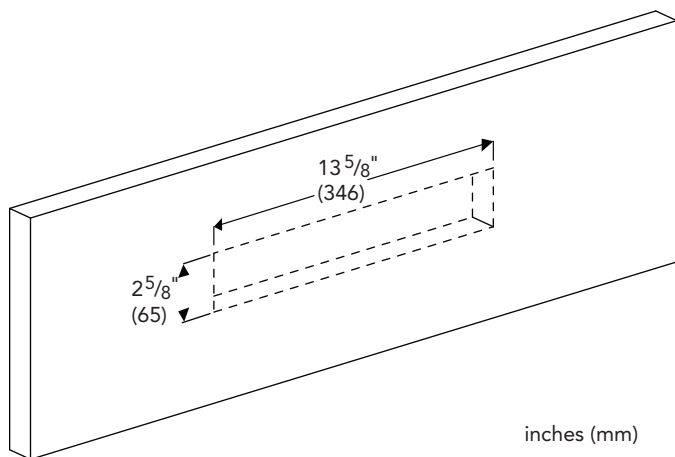
REMCPW Parts Included

- 1 – Remote control
- 1 – 30 ft. extension harness

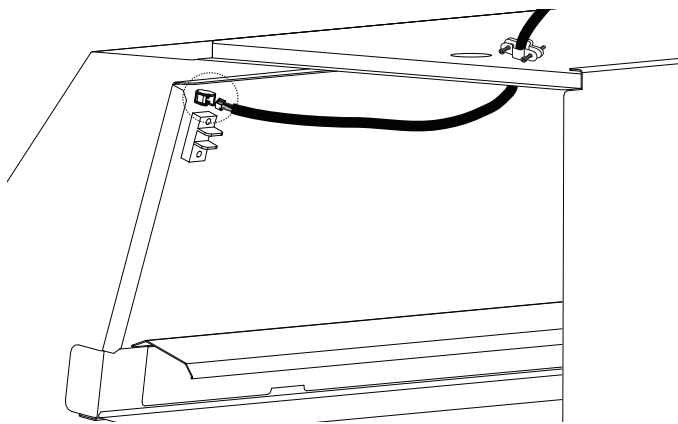
IMPORTANT: Cutting off a connector to the appliance or to the extension cable kit will void the warranty.

Remote Control Installation

1. Prepare the wall (or similar surface) cutout for installation as shown below (view is shown facing wall).

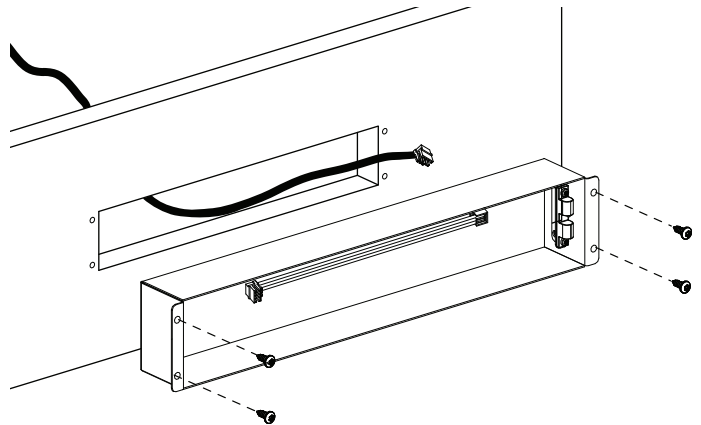


2. Access the hood's wiring. Route the 30 ft. extension harness through the strain relief to the square mounting clip until it clicks.

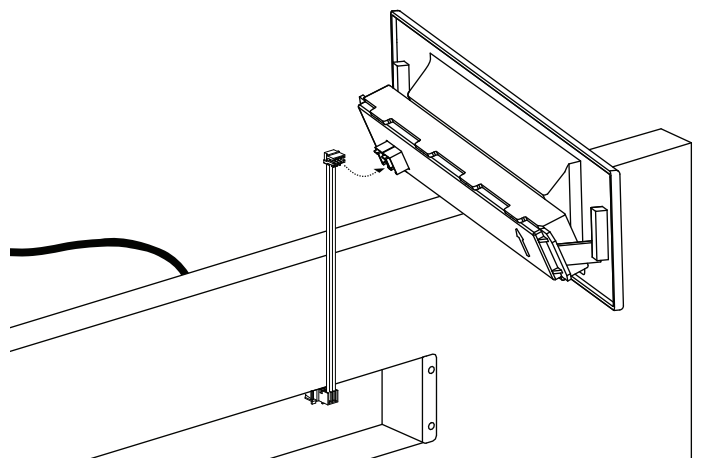


3. Route the 30 ft extension harness through the cutout and connect the harness to the back of the remote control bracket.

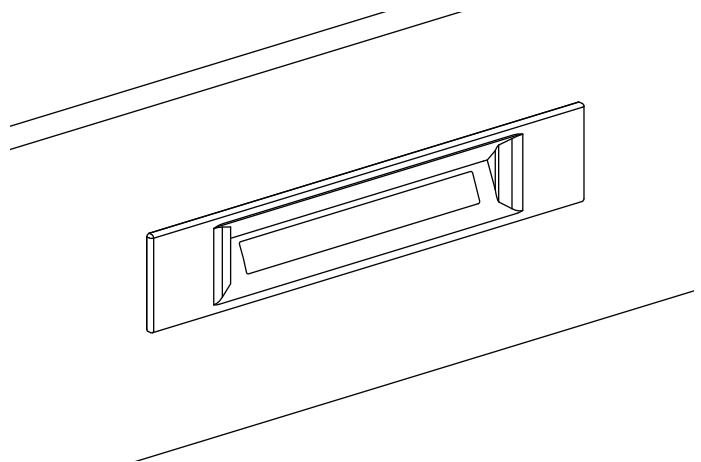
4. Press the bracket inside the cutout. Drill a $\frac{1}{4}$ " (6 mm) tap hole through the bracket holes into the wall. Mount the bracket to the wall using the four (4) screws provided.



5. Hook up the wire harness connector inside the bracket to the terminal on the back side of the remote control. Use either terminal.



6. Snap the Remote Control into the bracket.

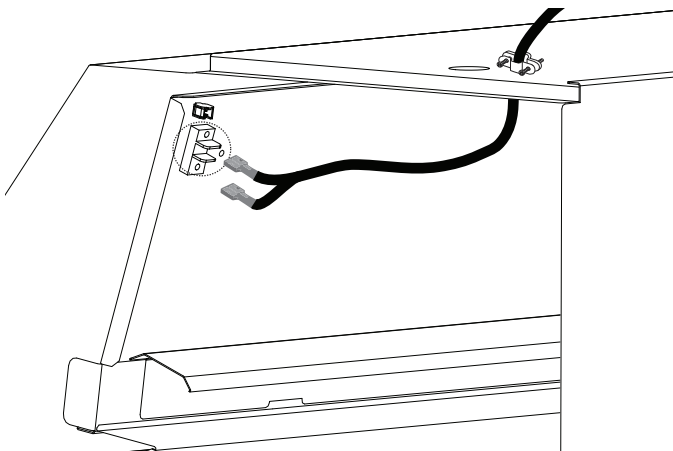


Make-Up Air Damper Relay Switch (optional)

Local codes may require the use of an additional backdraft and/or make-up air damper. Contact your local HVAC professional for specific requirements.

This hood provides a relay switch to connect a Make-Up Air Damper (120V max). Installations will vary according to the location in the home where the unit is installed and the damper used. Use the following illustration as guidance for your installation. Always comply with local code requirements.

1. Access the hood's wiring.
2. Route the Make-up Air Damper harness through the strain relief to the terminal block.
 - The Make-up air kit hot and return connections can use either terminal connection. There is no polarity requirement for the two pin terminal block.

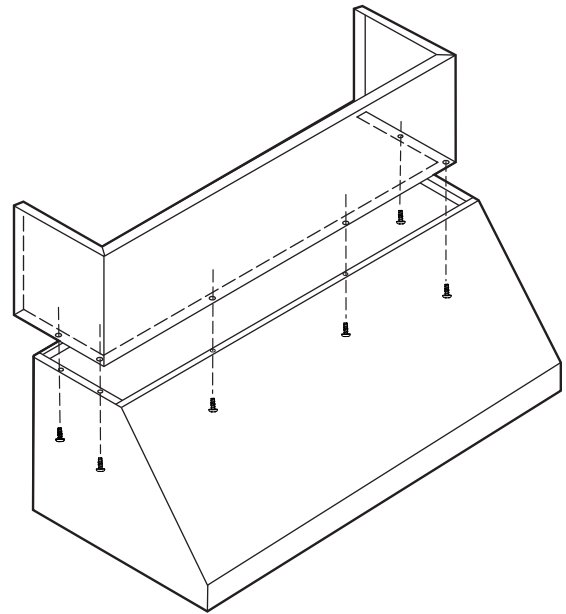


3. Secure the ground wire with the green T-20 ground screw.

Duct Cover Installation (optional)

On some models, an optional duct cover may be used to fill the space between the hood and ceiling in wall mount installations. Accessory 6" or 20" – 54" telescoping duct covers are available for purchase separately.

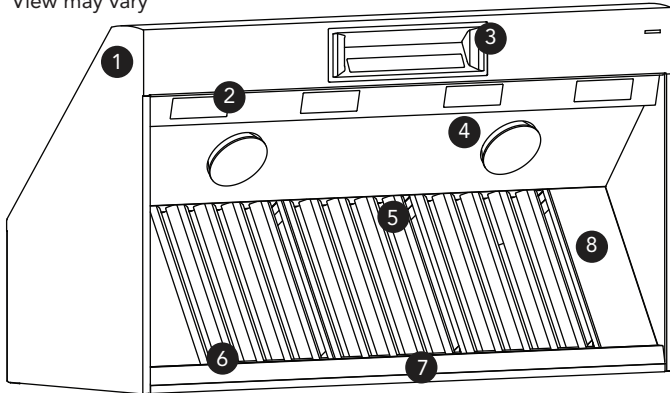
The duct cover structure is supported by the hood.



1. Attach the duct cover(s) to the hood using sheet metal screws as shown above. Screw quantity is dependent on hood size.
2. From inside of hood, insert 5/8" (16 mm) screws supplied through the holes indicated on each side and along the front, into bottom of the cover.

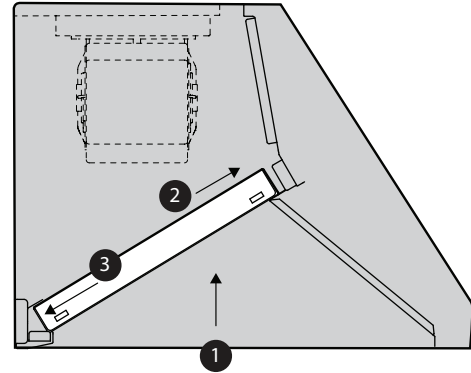
Installing Grease Trays, Filters and Spacers

View may vary



- (1) Hood canopy
- (2) LED lights
- (3) Touch control panel
- (4) Heat lamps
- (5) Baffle filters
- (6) Grease trays
- (7) Grease tray trough
- (8) Filter spacers

- Filters — start with inserting the filter in the middle and work out to the ends. Slide the filter up, toward the front of the hood, then push down on top of the grease tray.

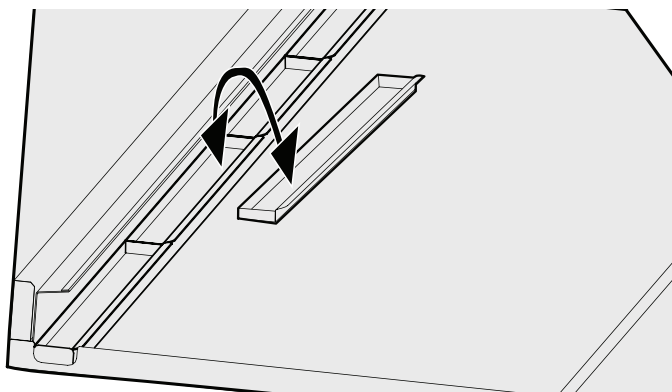


- Filter spacers — If applicable, insert the filter spacers on the left and right ends. Push up, slide toward the front of the hood, then push in at the bottom.
- Reverse the above directions to remove the grease tray, filters and filter spacer. Ensure filters are cool and grease has congealed before removal.

Install Filters and Grease Trays

NOTE: DO NOT use burners, elements, or oven while hood is disassembled.

- Turn the fan and lights off.
- Remove all plastic from hood pieces.
- Insert in the following order:
 - Grease Tray — Insert in rear tray. Grease trays must be in place before installing the filters. Push the grease tray in and down inside the grease tray trough.

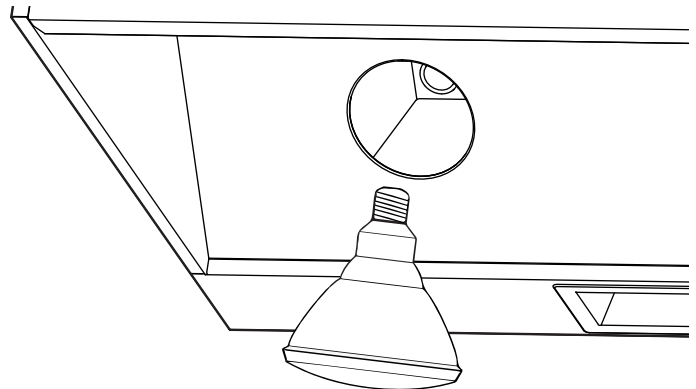


Heat Lamp Installation

Note: Only on PHxxGWS models.

- Turn heat lamp clockwise to install.
- Replace lamp with either a PAR-38 175W heat lamp or a PAR-40 250W heat lamp.

Refer to the Use and Care Guide for additional information.



Installer Checklist and Service

Installer Checklist

Final Check

- _____ Specified clearances maintained to cabinet surfaces.
- _____ Appliance is level.
- _____ All packaging material removed.
- _____ Proper ground connection.
- _____ Owner is aware of location of the main circuit breaker.
- _____ Write the model number and serial number found on the Product Data Rating Label in the Use and Care Guide. Leave the Use and Care Guide and the Installation Instructions with the owner of the appliance.
- _____ Leave the Home Connect™ instruction leaflet with the owner of the appliance. In order to utilize the full feature potential of the appliance, the owner should download the Home Connect™ app on their smart device and pair the appliance to the home's Wi-Fi device.

To Clean and Protect Exterior Surfaces

- The stainless steel surfaces may be cleaned by wiping with a damp soapy cloth, rinsing with clear water and drying with a soft cloth to avoid water marks. Any mild glass cleaner will remove fingerprints and smears.
- To polish and protect stainless steel, apply a stainless steel conditioner with a soft cloth. The Thermador Stainless Steel Conditioner is available for purchase in the online eShop (<http://store.thermador.com/us/>). Order part number 00576697.
- **DO NOT** allow deposits to remain for long periods of time.
- **DO NOT** use ordinary steel wool or steel brushes. Small bits of steel may adhere to the surface causing rust.
- **DO NOT** allow salt solutions, disinfectants, bleaches or cleaning compounds to remain in contact with stainless steel for extended periods. Many of these compounds contain chemicals which could prove harmful. Rinse with water after exposure and wipe dry with a clean cloth.

Before Calling Service

Troubleshooting

See the Use and Care Guide for troubleshooting information. Refer to the Warranty in the Use and Care Guide. Please be prepared with the information printed on your product data rating label when calling.

To reach a service representative, see the contact information at the back of the manual. Before calling, please note the complete model and serial number printed on your product data rating label.

Product Data Rating Label

The data rating label shows the model and serial number. It is located under the filter. The data rating plate shows the model and serial number. Refer to the data label on the appliance when requesting service.

The data rating label is located on the frame behind the filter. Remove the filter to view it.

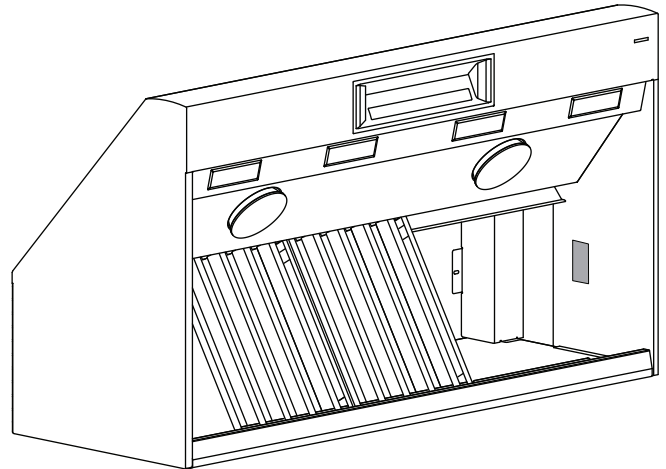


Table des MATIÈRES

Sécurité	25
Consignes de sécurité importantes.....	25
Planification préalable	28
Avant de commencer	28
Renseignements généraux	29
Instructions d'installation	30
Facteurs à prendre en compte pour l'installation	30
Exigences électriques	31
Préparation du conduit d'aération	32
Configurations de conduits courants	34
Choix d'un ventilateur adéquat	35
Assemblage du raccord	35
Installation murale	37
Installation sous une armoire	39
Installation du moteur du ventilateur	40
Branchement des câbles	39
Installation de la commande à distance	43
Assemblage du recouvrement de conduit	43
Liste de vérification à l'intention de l'installateur.....	46
Installation des filtres, des plateaux à graisse et des pièces d'espacement	45
Remplacement des lampes infrarouges	45
Plaque signalétique du produit.....	46
Service, pièces et accessoires	page verso

Définitions de SÉCURITÉ

▲ AVERTISSEMENT

Ceci indique que le non respect de cet avertissement peut entraîner des blessures graves, voire la mort.

▲ ATTENTION

Ceci indique que le non respect de cet avertissement peut entraîner des blessures légères ou modérées.

NOTICE : Ceci indique que la non-conformité à cet avis de sécurité peut entraîner des dégâts à l'appareil ou à la propriété.

Note : Ceci vous avertit que d'importantes informations et/ou conseils sont fournis.

Cet appareil électroménager de THERMADOR™
est fait par BSH Home Appliances Ltd
6696 Financial Drive, Unit 3
Mississauga, ON L5N 7J6

Des questions?

1-800-735-4328

www.thermador.ca

Nous attendons de vos nouvelles!

⚠️ CONSIGNES DE SÉCURITÉ IMPORTANTES LISEZ ET CONSERVEZ CES INSTRUCTIONS

INSTALLATEUR : Veuillez laisser ces instructions d'installation au propriétaire de l'appareil. Montrez au propriétaire l'emplacement du tableau de disjoncteurs. Marquez-le pour qu'il soit facile à identifier.

PROPRIÉTAIRE : Lisez et conservez ces instructions. Veuillez conserver ces instructions pour consultation ultérieure.

⚠️ AVERTISSEMENT



Si vous ne suivez pas rigoureusement les renseignements fournis dans le présent guide, des risques d'incendie ou d'explosion sont susceptibles de causer des dommages matériels, des blessures ou la mort.

- N'entreposez pas et n'utilisez pas d'essence ou d'autres produits inflammables sous forme de liquide ou de vapeur à proximité de la table de cuisson ou de tout autre appareil.
- **SI VOUS DÉTECTEZ UNE ODEUR DE GAZ**
 - N'allumez aucun appareil.
 - Ne touchez pas aux interrupteurs électriques.
 - N'utilisez pas les téléphones du bâtiment où vous trouvez.
 - Appelez immédiatement votre société gazière chez un voisin et suivez les instructions qu'elle vous donne.
 - Si vous n'arrivez pas à contacter votre société gazière, appelez le service d'incendie.
- L'installation et les travaux d'entretien doivent être réalisés par un installateur qualifié, un centre de réparation agréé ou une société gazière.

⚠️ AVERTISSEMENT

Coupez l'alimentation du disjoncteur et verrouillez le panneau avant de procéder au câblage de cet appareil. Exigence : 120 VCA, 60 Hz, 15 A ou 20 A pour certains modèles. Avant de procéder à l'entretien de l'appareil, laissez-lui le temps de refroidir une fois que vous avez coupé l'alimentation électrique.

⚠️ AVERTISSEMENT

Dispositif Automatique

Pour réduire le risque de blessure ébranchez toujours la machine de la source d'alimentation avant tout entretien.

⚠️ AVERTISSEMENT

POUR RÉDUIRE LES RISQUES D'INCENDIE, DE DÉCHARGE ÉLECTRIQUE OU DE BLESSURE, RESPECTEZ LES CONSIGNES SUIVANTES :

- Utilisez cet appareil seulement de la manière prévue par le fabricant. Pour toutes questions, veuillez contacter le fabricant.
- Avant de procéder au nettoyage ou à l'entretien de l'appareil, éteignez l'alimentation du panneau électrique et bloquez le dispositif de déconnexion pour éviter que l'alimentation électrique ne soit accidentellement rallumée. Si le dispositif de sectionnement d'électricité ne peut être bloqué, attachez un avertissement (comme une étiquette) bien en vue sur le tableau électrique. Contactez le fabricant à l'adresse ou au numéro de téléphone indiqué sur la dernière page.

⚠️ AVERTISSEMENT

Ne réparez et ne remplacez aucune pièce de l'appareil à moins que cela ne soit expressément recommandé dans le présent manuel. L'installation, la réparation ou l'entretien inadéquat de cet appareil peut causer des blessures corporelles ou des dommages matériels. Consultez le présent manuel pour des conseils. Tous les autres travaux d'entretien doivent être effectués par un technicien qualifié.

CONSIGNES DE SÉCURITÉ IMPORTANTES

LISEZ ET CONSERVEZ CES INSTRUCTIONS

AVERTISSEMENT



RISQUE DE DÉCHARGE ÉLECTRIQUE

- N'enlevez pas de connexion.
- N'utilisez pas une rallonge électrique.
- La mise à la terre inadéquate de l'appareil peut entraîner un risque de décharge électrique.
- Le non-respect des présentes instructions peut entraîner la mort, causer un incendie ou provoquer une décharge électrique.

Instructions de mise à la terre

Cet appareil doit être mis à la terre. La mise à la terre réduit les risques de décharge électrique en fournissant au courant électrique un fil d'échappement lors d'un court-circuit.

Assurez-vous que votre appareil est convenablement installé et mis à la terre par un technicien qualifié. L'installation, le branchement électrique et la mise à la terre doivent être conformes à tous les codes en vigueur.

Si le Code national de l'électricité (ou le code Canadien de l'électricité) l'exige, cet appareil doit être installé sur un circuit de dérivation séparé.

AVERTISSEMENT

Pour réduire les risques d'incendie ou de décharge électrique, n'utilisez pas cet appareil avec un tableau de commande à semi-conducteurs.

Normes et codes de sécurité

Cet appareil est conforme à une ou plusieurs des normes suivantes :

- UL 507 – norme visant la sécurité en matière de ventilateurs électriques
- CAN/CSA-C22.2 No 113 – ventilateurs

Il est de la responsabilité du propriétaire et de l'installateur de déterminer les exigences ou les normes supplémentaires pouvant s'appliquer à des installations particulières.

ATTENTION



L'appareil est lourd. Au moins deux personnes ou de l'équipement adéquat sont requis pour le déplacer et l'installer.

Les surfaces cachées de l'appareil peuvent comporter des saillies coupantes. Faites attention lorsque vous manipulez l'appareil pour éviter de vous blesser ou d'endommager votre propriété.

Disposition de la Proposition 65 de l'État de la Californie :

AVERTISSEMENT

Ce produit vous expose à des produits chimiques, comme du chlorure de vinyle, reconnus par l'État de la Californie comme causant le cancer, des malformations congénitales ou d'autres effets nocifs sur la reproduction. Pour de plus amples renseignements, consulter www.P65Warnings.ca.gov.

Ne modifiez jamais la construction de l'appareil. Par exemple, n'enlevez pas de panneaux, couvre-fils ou supports/vis.

ATTENTION

Pour ventilation générale seulement. N'utilisez pas cet appareil pour évacuer des vapeurs et des matériaux explosifs ou dangereux. Pour réduire les risques d'incendie, n'utilisez que des conduits métalliques.

Ayez recours à un installateur qualifié.

Retirer tout le ruban et l'emballage avant d'utiliser l'appareil. Jetez l'emballage selon les consignes de tri sélectif. Ne jamais laisser les enfants jouer avec le matériel d'emballage.

CONSIGNES DE SÉCURITÉ IMPORTANTES

LISEZ ET CONSERVEZ CES INSTRUCTIONS

AVERTISSEMENT

POUR RÉDUIRE LES RISQUES D'INCENDIE, DE DÉCHARGE ÉLECTRIQUE OU DE BLESSURE, RESPECTEZ LES CONSIGNES SUIVANTES :

- Les travaux d'installation et de câblage électrique doivent être faits par une personne qualifiée selon les stipulations de toutes les normes et réglementations en vigueur, dont les normes des constructions ayant une cote de résistance au feu.
- Pour prévenir les contre-explosions, une certaine quantité d'air est nécessaire pour la combustion et l'évacuation des gaz par le carneau (cheminée) de l'appareil de combustion. Respectez les directives du fabricant d'outillage de chauffage et les normes de sécurité, comme celles publiées par la NFPA (Association nationale des services d'incendie), par la Société américaine des ingénieurs en chauffage, réfrigération et climatisation (ASHRAE) et par les autorités locales.
- N'évacuez pas l'air dans les espaces entre les murs, le plafond, le grenier, les vides sanitaires ou le garage.
- Les ventilateurs canalisés doivent toujours évacuer l'air à l'extérieur.
- Les ventilateurs à conduit doivent toujours être ventilés vers l'extérieur.
- **N'UTILISEZ QUE DES CONDUITS MÉTALLIQUES.**
- Lorsque vous coupez ou percez un mur ou un plafond, assurez-vous de ne pas endommager le câblage électrique ou toute autre installation technique dissimulée.

ATTENTION

Un ventilateur externe doit être installé derrière les déflecteurs ou à un endroit où il est peut probable que de l'eau soit aspiré.

Planification préalable

Avant de commencer

▲ ATTENTION

Avant de procéder à l'installation de l'appareil, éteignez l'alimentation du panneau électrique et bloquez le dispositif de déconnexion pour éviter que l'alimentation électrique ne soit accidentellement rallumée.

Pièces Fournies

- Raccord métallique avec registre antirefoulement
- Filtres déflecteurs en acier inoxydable
- Plateaux à graisse en acier inoxydable
- Pièces d'espacement à filtre en acier inoxydable
- Ampoules halogènes (sur certains modèles seulement)
- Adaptateur de ventilateur à distance
- Morceau de bois servant de support de montage pour la hotte Pour l'installation – NE PAS JETER.
- Pochette de documents avec trousse d'éléments de fixation*

* La quincaillerie fournie sert à fixer la hotte à travers une cloison sèche ou du plâtre et des montants de bois d'épaisseur standard. Les installateurs sont responsables de fournir la quincaillerie pour les autres types d'installation.

Pièces et Outils Requis

- Ventilateur (Veuillez consulter le « Guide de Planification » d'apport d'air supplémentaire pour connaître les systèmes compatibles de soufflerie.)
- Conduit, selon les besoins (voir « Longueur totale équivalente du conduit avec les raccords les plus fréquemment utilisés »)
- Ruban d'aluminium (***n'utilisez PAS du ruban à conduit***)
- Tube de 1/2 po (13 mm), s'il y a lieu; respectez les codes locaux
- Serre-câbles de 1 po (25,4 mm)
- Tournevis à tête étoilée et Torx T20
- Perceuse avec embout de 3/16 po (4.76 mm)
- Monte-démonte écrou ou clé à rochet et douille de 11/32 po
- Scie circulaire ou sauteuse
- Ruban à mesurer
- Gants de protection

IMPORTANT : Ne jetez pas le matériel d'emballage avant d'avoir terminé l'installation de l'appareil.

Il est possible d'acheter d'autres accessoires facultatifs séparément

Pour de plus amples renseignements, veuillez consulter le site www.thermador.com.

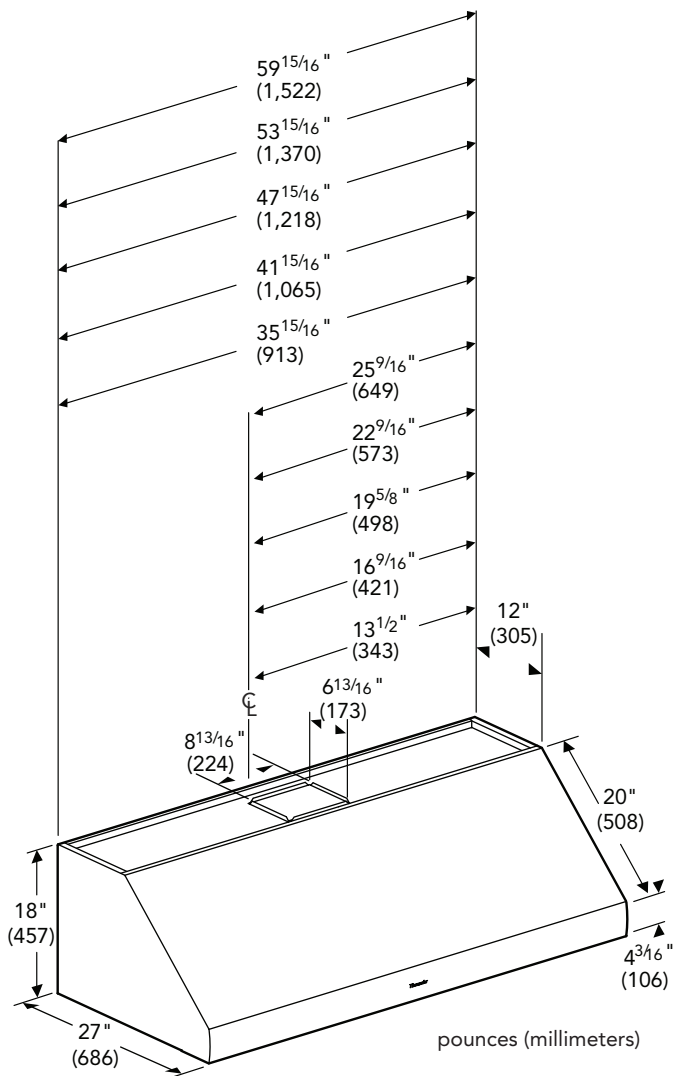
- DC***W – 6" Cheminée longue
- DC**TW – 20" – 54" Cheminée télescopique
- REMCPW – Commande à distance
- EXTNCB25W – Câble de raccordement de 25 pi
- WC8 - 8" Capuchon de mur
- WC10 - 10" Capuchon de mur
- RFPLT600P - Plaque de plafond à utiliser avec le moteur séparé de 600 pi³/min VTR630
- RFPLT1000P - Plaque de plafond à utiliser avec le moteur séparé de 1000 pi³/min VTR1030 et 1300 pi³/min moteur VTR1330

Renseignements généraux

Dimensions générales

PHxxGWS

27 po (686 mm) de profondeur. Les modèles de cette série se caractérisent par leur pavillon en acier inoxydable brossé, des lampes LED et des lampes infrarouges.

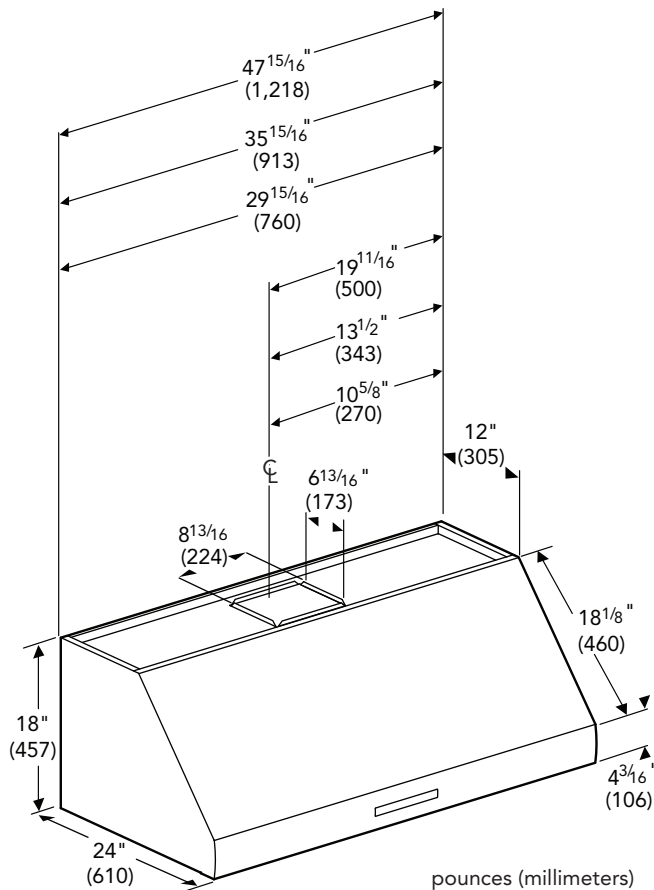


NOTE : Le raccord est centré.

IMPORTANT : Pour un rendement optimal, la hotte doit être centrée au-dessus de la surface de cuisson.

PHxxHWS

24 po (610 mm) de profondeur. Les modèles de cette série se caractérisent par leur pavillon en acier inoxydable brossé et des lampes LED.



NOTE : Le raccord est centré.

IMPORTANT : Pour un rendement optimal, la hotte doit être centrée au-dessus de la surface de cuisson.

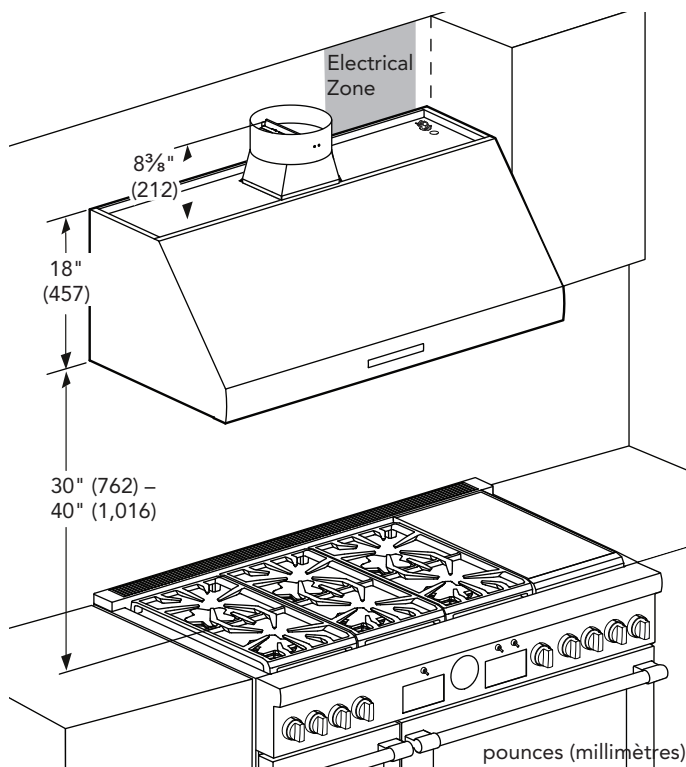
Instructions d'installation

Facteurs à prendre en compte pour l'installation

Dégagements et exigences

Le conduit de la hotte doit évacuer l'air à l'extérieur de la maison. L'appareil ne peut être utilisé avec un ensemble de reprise d'air.

La hauteur d'installation de la hotte au-dessus d'une surface de cuisson ou d'une cuisinière peut varier. Pour respecter la hauteur d'installation nécessaire au-dessus d'une surface de cuisson ou d'une cuisinière, consultez le manuel d'installation de l'appareil.



*Suivez les recommandations du fabricant de l'appareil de cuisson.

AVIS : La hotte pourrait être endommagée par de la chaleur si plusieurs brûleurs d'une surface de cuisson ou d'une cuisinière Professional® de Thermador sont utilisés simultanément à haute intensité et que la hotte est installée à une distance inférieure aux espaces libres minimaux.

Largeur de la hotte

La largeur de la hotte ne doit pas être inférieure à la largeur de la surface de cuisson. Pour un rendement

adéquat, la hotte doit couvrir la totalité de la surface de cuisson.

Pour un rendement optimal, la hotte doit être centrée au-dessus de la surface de cuisson. Lorsqu'il n'y a pas de contrainte d'espace, une hotte plus large peut être utilisée pour augmenter la surface d'aspiration.

Distance entre la hotte et la surface de cuisson

La hauteur minimale d'installation est de 30 po (762 mm) au-dessus de la surface de cuisson à une hauteur maximale suggérée de 40 po (1016 mm). Toutefois, il est impératif de respecter les instructions d'installation du fabricant de l'appareil de cuisson en ce qui concerne la hauteur adéquate d'installation de la hotte.

Poids de l'appareil

Cette hotte d'évacuation d'air est lourde. Peu importe le type d'installation, il faut avoir une structure et des nervures de renforcement adéquats. Lors du calcul de la charge du système de soutien du boîtier, assurez-vous de tenir compte du poids de l'appareil de ventilation.

Modèle	Poids
PH30HWS	62 lb (28 kg)
PH36HWS	70 lb (32 kg)
PH48HWS	85 lb (39 kg)
PH36GWS	75 lb (34 kg)
PH42GWS	84 lb (38 kg)
PH48GWS	90 lb (41 kg)
PH54GWS	96 lb (44 kg)
PH60GWS	103 lb (47 kg)
Ventilateur intégré VTN1090R	23 lb (11 kg)
Ventilateur intégré VTN630W	11 lb (5 kg)

IMPORTANT: Les poids mentionnés ne s'appliquent qu'à l'appareil de ventilation et au ventilateur. L'installateur doit tenir compte du poids du matériel de construction lors du calcul du poids total de l'installation, y compris, sans s'y limiter, les éléments suivants : mur, tuiles, mortier, plâtre, briques, finition, cloisons et autres éléments architecturaux et structuraux. Il est de la responsabilité du propriétaire et de l'installateur de déterminer les exigences ou les normes supplémentaires pouvant s'appliquer à des installations particulières.

Ventilateurs

Des ventilateurs internes, en ligne et télécommandés sont disponibles par l'entremise de votre détaillant Thermador autorisé. Pour les coordonnées d'un détaillant local, visitez la section sur la localisation des détaillants sur notre site web à www.thermador.com.

Les dimensions du ventilateur varient et sont fonction de la surface de cuisson, du volume d'air à évacuer et de la longueur du conduit. Voyez « Installation du ventilateur » pour des renseignements détaillés sur le ventilateur.

Charpente du mur

Compte tenu du poids de la hotte, assurez-vous que le support de montage de la hotte est bien fixé à tous les montants disponibles du mur.

La charpente du mur et les solives de plafond doivent être suffisamment solides pour soutenir le poids de la hotte et du ventilateur interne, s'il y a lieu.

Minimalement, la charpente du mur doit être faite de 2x4. Un soutien structural adéquat est requis pour supporter le poids de la hotte.

Exigences électriques

Cet appareil doit être branché à un circuit de dérivation de 120 VCA, 60 Hz, 15 A. La soufflante VTR1330 en conjonction avec un PHxxGWS nécessite un disjoncteur de 20 ampères. La hotte doit être branchée à une prise de courant mise à la terre et installée en conformité avec les réglementations en vigueur.

Lorsqu'elles sont protégées par un disjoncteur de fuite à la terre, les hottes Professional de Thermador peuvent être utilisées dans des endroits humides à l'abri des conditions météorologiques extérieures et de saturations par de l'eau et d'autres liquides, quoiqu'elles puissent être soumises à un certain degré d'humidité (par exemple, lors d'une installation sur une terrasse couverte ou une véranda). Consultez les codes locaux, le Code national de l'électricité/Code Canadien de l'électricité, et l'autorité compétente pour obtenir de plus amples renseignements.

Consultez le code de la construction de votre localité pour connaître la méthode d'installation adéquate. Aux É.-U., si aucun code local n'est en vigueur, cet appareil doit être installé conformément à la plus récente édition de la norme no 70 du Code national de l'électricité/NFPA (Association nationale des services d'incendie). Au Canada, l'installation doit respecter les normes d'installation CSA C22.1-02 pour les appareils au gaz ou les codes locaux en vigueur.

NOTE : Vous pouvez vous procurer un câble de connexion pour ventilateur à distance (EXTNCB25W) de 25 pieds si vous souhaitez brancher la hotte au ventilateur à plus de 25 pieds de distance (acheté séparément). N'utilisez PAS plus d'un câble de connexion par installation.

▲ AVERTISSEMENT

Cet appareil doit être mis à la terre.

Données électriques apparaissant sur la plaque signalétique

Les données électriques relatives à l'appareil, y compris le numéro de modèle et le numéro de série, se trouvent sur la plaque signalétique située à l'intérieur de l'appareil, visible lors du retrait du cadre des filtres.

Préparation du conduit d'aération

Orientation de la sortie d'air

L'air est évacué vers le haut, par le biais d'un conduit, ou directement à l'extérieur à travers le mur arrière.

Recommandations pour le conduit

Un rendement adéquat dépend d'un conduit d'aération adéquat. Le code du bâtiment local peut exiger l'utilisation d'un système d'air d'appoint lors de l'utilisation d'un système de ventilation avec des conduits dont le nombre de pi^3/min d'air est supérieur à ce qui est indiqué. Il est de la responsabilité du propriétaire et de l'installateur de déterminer les exigences ou les normes supplémentaires pouvant s'appliquer à des installations particulières.

N'UTILISEZ PAS DE CONDUITS SOUPLES. Ces conduits créent de la pression d'aspiration et de la turbulence en plus d'offrir un rendement moins efficace. Posez toujours un couvercle métallique à la sortie du conduit de la maison.

TEMPÉRATURES FROIDES : Pour une installation où les conditions météorologiques sont froides, un registre antirefoulement supplémentaire doit être installé pour minimiser l'entrée d'air froid de l'extérieur, avec un isolant thermique non métallique pour minimiser la conduction de la température extérieure dans le conduit. Le registre doit se trouver du côté de l'air froid de l'isolant thermique. L'isolant doit être installé le plus près possible de l'endroit où le conduit entre dans la partie chauffée de la maison.

AIR D'APPOINT : Le code du bâtiment local peut exiger l'utilisation d'un système d'air d'appoint lors de l'utilisation d'un système de ventilation dont le nombre de pi^3/min d'air est supérieur à ce qui est indiqué. Le nombre de pi^3/min indiqué varie d'un code à l'autre. Il est de la responsabilité du propriétaire et de l'installateur de déterminer les exigences ou les normes supplémentaires pouvant s'appliquer à des installations particulières.

⚠ AVERTISSEMENT

Le conduit doit directement évacuer l'air à l'extérieur (et non dans le grenier, sous la maison, dans le garage ou dans un espace clos).

L'appareil ne peut être utilisé avec un ensemble de reprise d'air.

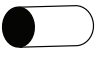
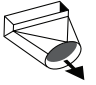
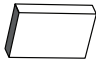
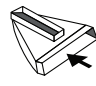

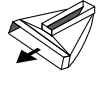

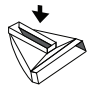
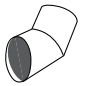
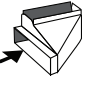
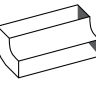
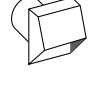
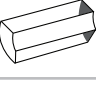


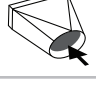
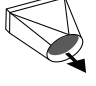
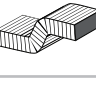
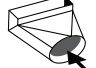

Thermador recommande de ne pas installer un conduit de plus de 50 pi (15,24 m).

Installez le conduit le plus court et le plus droit possible. Les coudes et les raccords réduisent l'efficacité de la circulation de l'air. L'utilisation de deux coudes formant un S donne de piètres résultats et elle n'est pas recommandée. L'utilisation d'un conduit court et droit à l'endroit où se trouve un ventilateur à distance donne de meilleurs résultats.

Les hottes sont vendues avec un raccord circulaire de 10 po (254 mm). Vous devez vous procurer les raccords d'autres dimensions chez un détaillant.

Utilisez le tableau « Longueur totale équivalente du conduit avec les raccords les plus fréquemment utilisés » pour calculer la longueur totale admissible du conduit.

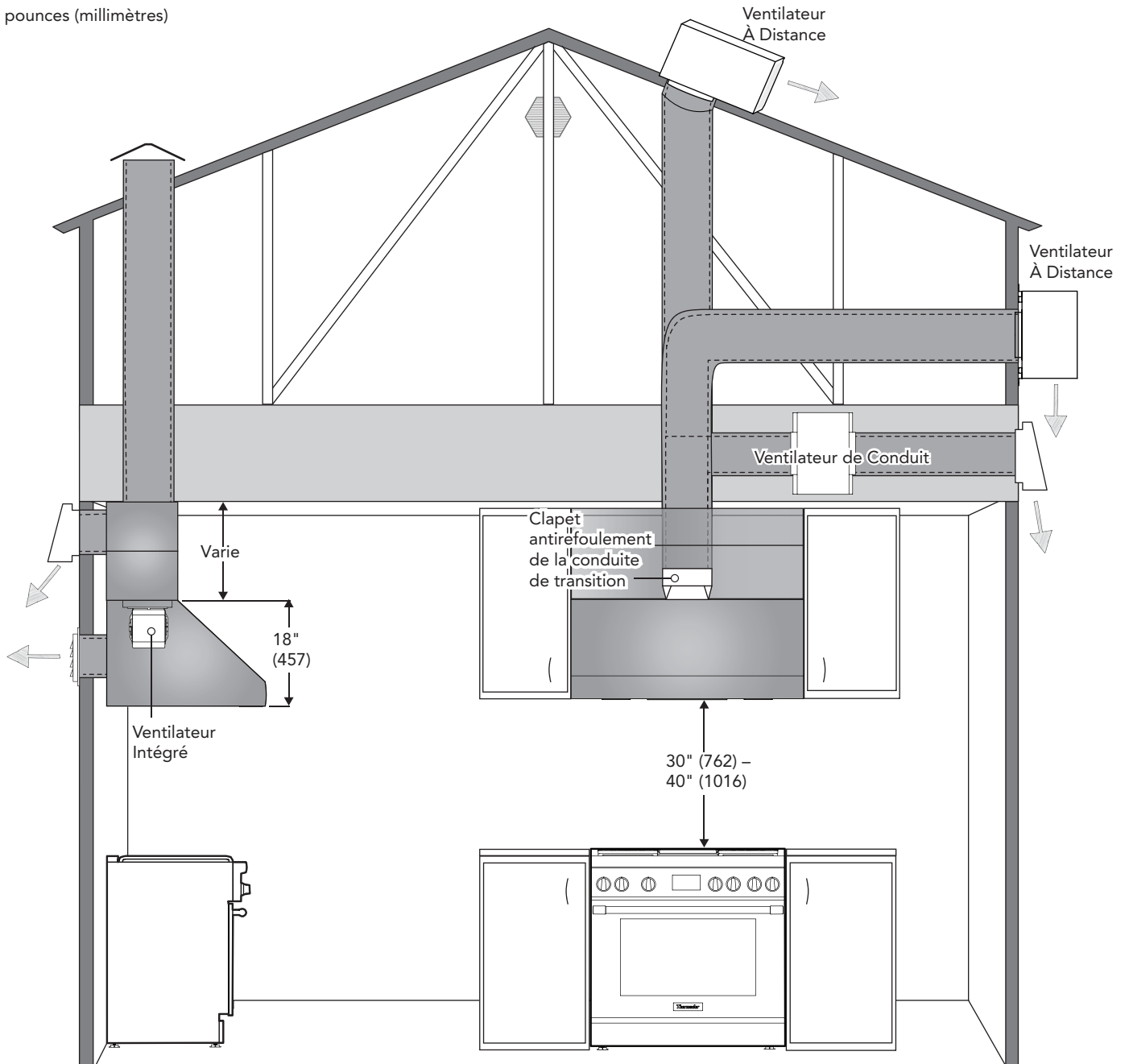
Longueur totale équivalente du conduit avec les raccords les plus fréquemment utilisés

Type de conduit	Diamètre de la pièce (po)	Longueur équivalente (pi)	Type de conduit	Diamètre de la pièce (po)	Longueur équivalente (pi)
 Circulaire droit	6	1.2	 3/4 po x 10 po à coude circulaire à 90°	6	10
	8	0.7			
	10	0.6			
 3/4 po x 10 po droit	S/O	1	 Coude inversé gauche à centre de 3/4 po x 10 po	S/O	15
 3/4 po x 14 po droit	S/O	0.7	 Coude inversé droit à centre de 3/4 po x 10 po	S/O	25
 Coude circulaire à 90°	6	12	 Coude inversé à gauche de 3/4 po x 10 po	S/O	15
	8	6			
	10	5			
 Coude circulaire à 45°	6	5	 Coude inversé à droite de 3/4 po x 10 po	S/O	25
	8	3			
	10	2			
 Coude de 3/4 po x 10 po à 90°	S/O	5	 Bouche d'aération circulaire murale	6	2
 Coude de 3/4 po x 10 po à 45°	S/O	15		8	2
	S/O	20		10	2
 Coude plat de 3/4 po x 10 po	S/O	20	 Bouche d'aération circulaire de toit	6	2
 Circulaire à 3/4 po x 10 po	6	1		8	2
	8	10		10	2
 3/4 po x 10 po à circulaire	6	5	 Conduit souple de 3/4 po x 10 po de 2 pieds de long	S/O	20
	8	2			
 Circulaire à coude de 3/4 po x 10 po à 90°	6	10	 Support de fixation et obturateur de toit de 3/4 po x 10 po	S/O	2

NOTE : Ces pièces fréquemment utilisées sont en vente à votre quincaillerie. Thermador ne fabrique pas toutes ces pièces.

Configurations de conduits courants

pouces (millimètres)



REMARQUE : L'image ne présente pas toutes les dispositions ou méthodes d'installation. Elle est à titre indicatif SEULEMENT.

Choix d'un ventilateur adéquat

N'utilisez que des ventilateurs Thermador avec les hottes Thermador. Consultez le « Guide de Planification de Ventilation » pour connaître les ventilateurs recommandés. Communiquez avec le service à la clientèle pour connaître les autres options qui s'offrent à vous.

IMPORTANT : La garantie s'annule si un connecteur, le câble du ventilateur ou le câble de rallonge est coupé.

Le choix d'un ventilateur dépend du volume d'air qui doit être évacué ainsi que de la longueur et de l'emplacement du conduit. Pour les longs conduits qui comportent de nombreux coudes et changements de direction, envisagez d'utiliser un ventilateur plus puissant. Pour une évacuation d'air optimale, utilisez un conduit droit avec le moins de coudes possible (consultez la section « Préparation du conduit d'aération »).

Ventilateurs intégrés

Ces ventilateurs sont intégrés à la hotte au moment de l'installation.

Ventilateurs à distance

Selon la préférence et l'emplacement du conduit, ces ventilateurs peuvent être installés sur le toit ou un mur extérieur de votre maison. L'avantage d'une installation à l'extérieur est une réduction du bruit dans la cuisine.

Ventilateurs de conduit

Pour minimiser le bruit dans la cuisine, ces ventilateurs s'installent dans le conduit, quelque part entre la cuisine et le mur extérieur. Si le conduit est facile d'accès (qu'il passe dans le grenier, par exemple), cette option peut être attrayante.

25 pi Câble de connexion du ventilateur (optionnel)

Vous pouvez vous procurer un câble de connexion pour ventilateur à distance (EXTNCB25W) de 25 pieds si vous souhaitez brancher la hotte au ventilateur à plus de 25 pieds de distance (acheté séparément). N'utilisez PAS plus d'un câble de connexion par installation.

Assemblage du raccord

Orientation du débouché

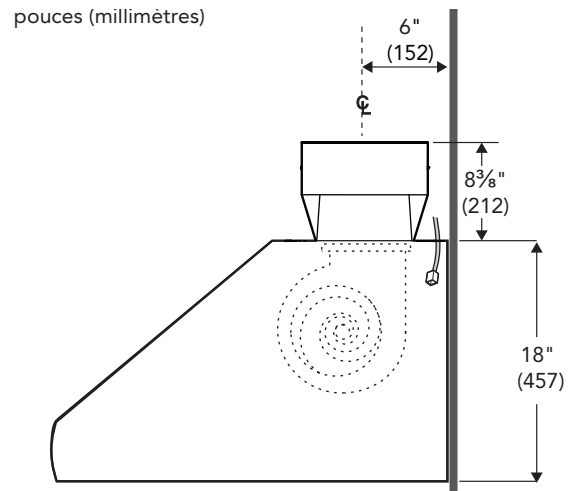
L'air vicié est évacué vers le haut par un conduit d'aération ou directement à l'air libre en traversant le mur extérieur.

La hotte peut être suspendue à un mur ou à une armoire. Les deux méthodes de montage peuvent utiliser un débouché vertical ou horizontal.

Débouché Vertical la Transition

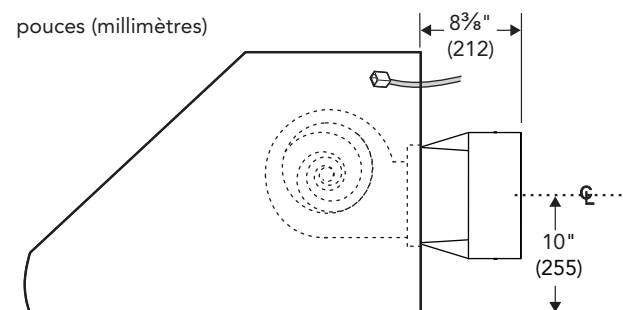
Lorsque la hotte est expédiée, elle est configurée pour un débouché vertical.

La transition fournie avec la hotte se branche à un conduit rond standard de 10 po (2,5 cm). La figure montre le branchement de la transition pour une évacuation verticale.

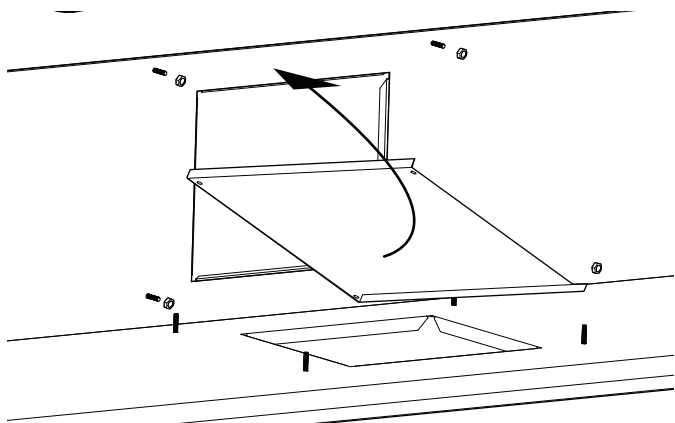


Débouché Horizontal la Transition

La transition fournie avec la hotte se branche à un conduit rond standard de 10 po (2,5 cm). La figure montre le branchement de la transition pour une évacuation horizontale.



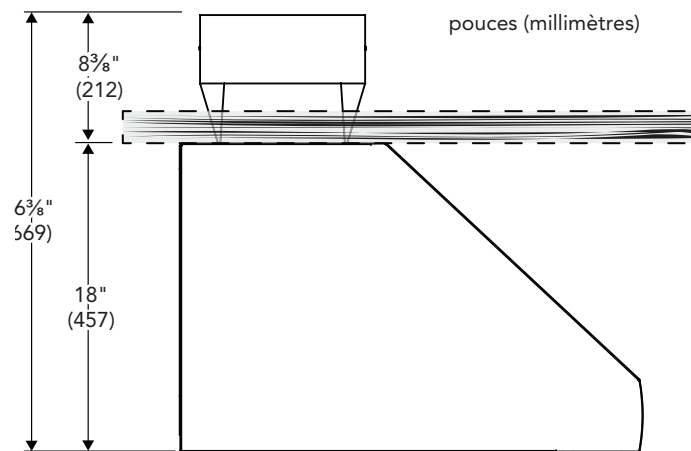
1. Pour modifier l'évacuation horizontale, placez le couvercle d'évacuation, illustré à la figure, sur le dessus de la hotte. La plaque est maintenue en place par quatre (4) écrous hexagonaux de 3/8 po (9,5 mm).



Assemblage du raccord

Les hottes sont livrées avec une conduite de transition ronde de 10 po (254 mm) de diamètre. Pour d'autres diamètres, une conduite de transition fournie dans la région est requise.

Le raccord fourni s'installe sur le dessus ou à l'arrière de la hotte selon l'orientation du débouché.

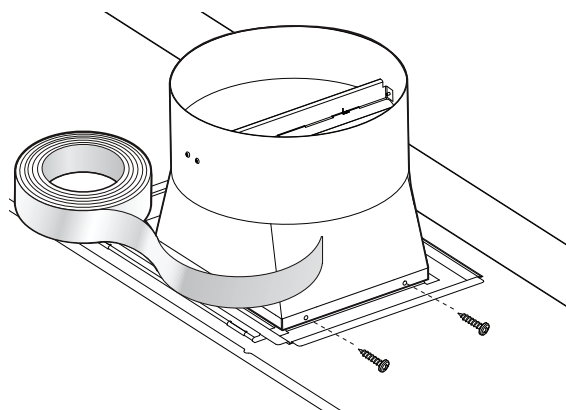


Une hauteur libre minimale de 8-3/8 po (212 mm) est requise au-dessus de la hotte pour l'installation du raccord. Consultez la "Avant de commencer" pour connaître les dimensions générales de la hotte.

2. Alignez les trous de montage du raccord avec les trous de montage de la bride de 1/2 po (13 mm) situé sur le dessus ou à l'arrière de la hotte selon l'orientation du débouché.
3. Fixez le raccord à la hotte à l'aide des quatre vis à tôle de 1/4 po (6 mm) fournies avec la hotte.

NOTE : Les vis ne doivent pas entraver le fonctionnement du registre.

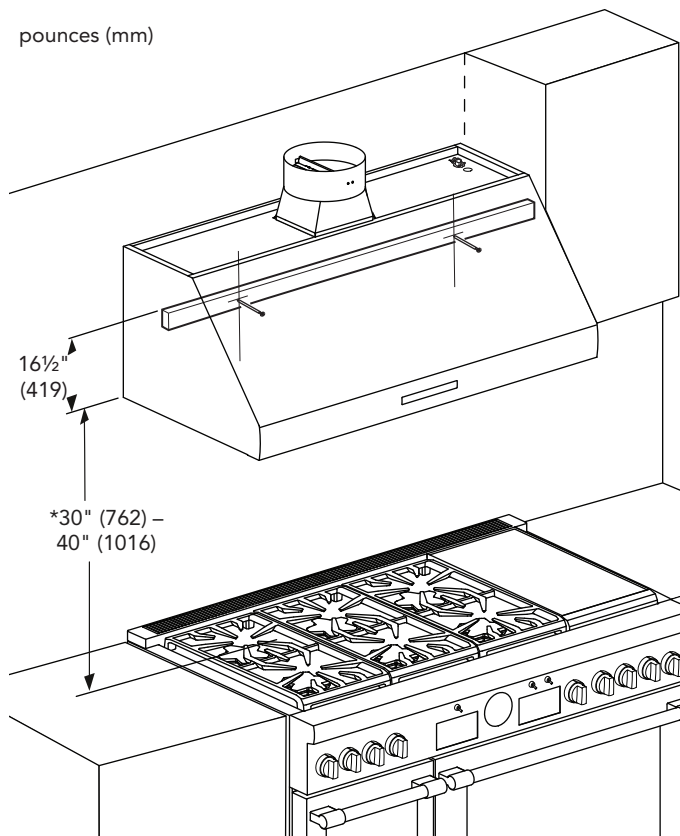
4. Scellez le joint entre le raccord et la hotte avec du ruban en aluminium. N'utilisez PAS de ruban à conduit. Assurez-vous que la connexion est complètement scellée.



5. Enlevez le morceau de ruban qui tient le registre en position fermée.

Installation murale

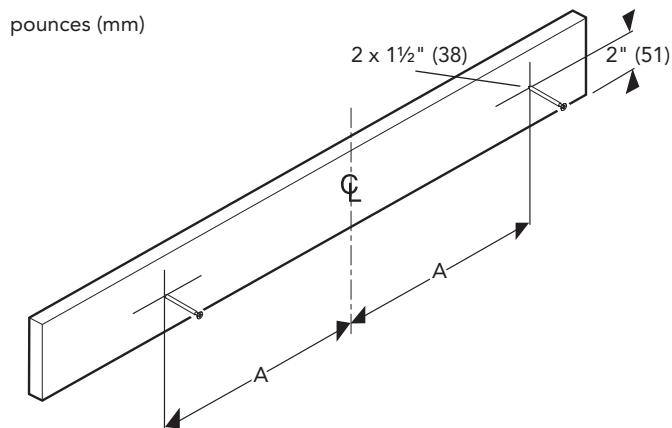
Support de montage de la hotte



*Suivez les recommandations du fabricant de l'appareil de cuisson.

1. La hauteur minimale d'installation est de 30 po (762 mm) au-dessus de la surface de cuisson. Toutefois, il est impératif de respecter les instructions d'installation du fabricant de l'appareil de cuisson en ce qui concerne la hauteur adéquate d'installation de la hotte (voir « Dégagements et exigences » à la page 30.)
2. Une fois que vous avez déterminé la hauteur d'installation de la hotte, tirez un trait horizontal au-dessus de la table de cuisson, à une distance équivalant à 16 1/2 po (419 mm) au-dessus de la hauteur d'installation recommandée de la hotte. Cette ligne correspond à l'emplacement de montage du support en bois fourni avec l'appareil.
3. Trouvez la ligne centrale de la hotte. Tirez un trait vertical le long de cette ligne centrale jusqu'à la ligne horizontale de l'Étape 2.
4. La hotte s'installe au mur à l'aide du support en bois fourni avec l'appareil. Enlevez le support en bois situé sur le dessus de la hotte en retirant les deux vis d'expédition. Marquez la ligne centrale du support en bois.

5. Localisez un montant de chaque côté de la ligne centrale de la hotte, que vous utiliserez pour fixer le support en bois au mur.
6. Aligned la partie supérieure du support en bois avec la ligne horizontale tracée à l'Étape 2. Aligned les lignes centrales du support et de la table de cuisson.
7. Percez un trou de guidage de 3/16 po (3 mm) de 3 po (76 mm) de profondeur à travers le support en bois, le mur et le montant.
8. Utilisez deux ou trois vis de 3 po (76 mm), selon le modèle, pour fixer le support au mur. Pour soutenir de plus longues hottes, utilisez trois montants. Fraisez le support en bois pour éviter toute interférence entre les têtes des vis et la hotte.
9. Sur le support en bois, marquez les emplacements utilisés pour suspendre la hotte.



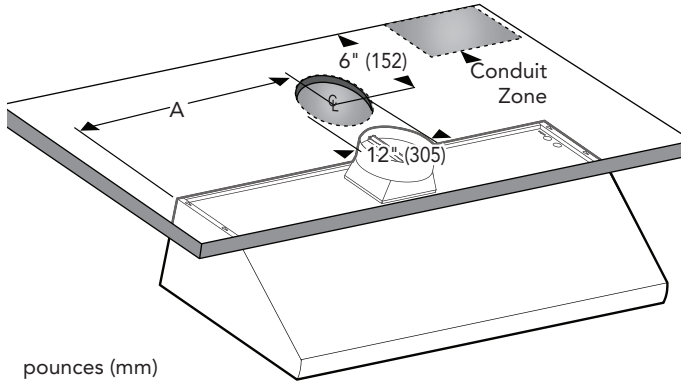
Dimension de la hotte	A
30" (762 mm)	13" (330 mm)
36" (914 mm)	16" (406 mm)
42" (1,067 mm)	19" (483 mm)
48" (1,219 mm)	22" (559 mm)
54" (1,372 mm)	25" (635 mm)
60" (1,524 mm)	28" (711 mm)

10. Percez un trou de guidage de 3/16 po (4,8 mm) dans le support en bois et le mur. Ces vis de 5/8 po (16 mm) n'ont pas à entrer dans les montants.
11. Utilisez deux vis de 5/8 po (16 mm) pour fixer le support en bois en laissant dépasser 1/4 po (6 mm) de chaque vis pour suspendre la hotte.

Direction d'évacuation

Débouché Vertical

Une ouverture doit être pratiquée dans le plafond pour les installations qui ont recours à cette méthode afin d'accueillir un conduit de 10 po (254 mm) et un tube protecteur de 1/2 po (13 mm) dans lequel passent les fils qui alimentent l'appareil.



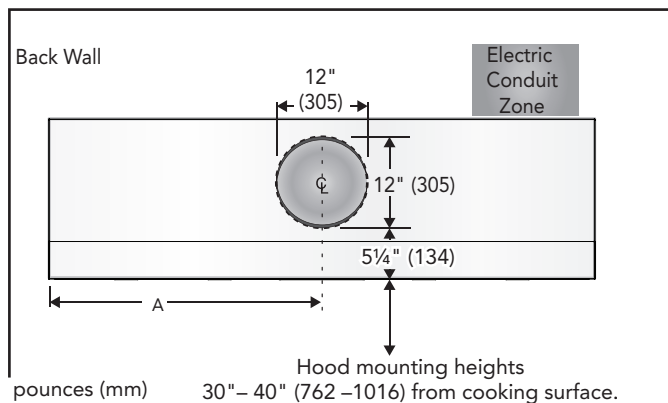
pouces (mm)

Dimension de la hotte	A
30" (762 mm)	15" (381 mm)
36" (914 mm)	18" (457 mm)
42" (1,067 mm)	21" (533 mm)
48" (1,219 mm)	24" (610 mm)
54" (1,372 mm)	27" (686 mm)
60" (1,524 mm)	30" (762 mm)

Pour les installations murales, un recouvrement de conduit optionnel peut être utilisé pour remplir l'espace entre la hotte et le plafond.

Débouché Horizontal

Pour un débouché horizontal, une ouverture semblable à celle illustrée sur la Figure doit être pratiquée dans le mur pour laisser de l'espace au raccord. La hauteur de montage de la hotte détermine l'emplacement de l'ouverture.



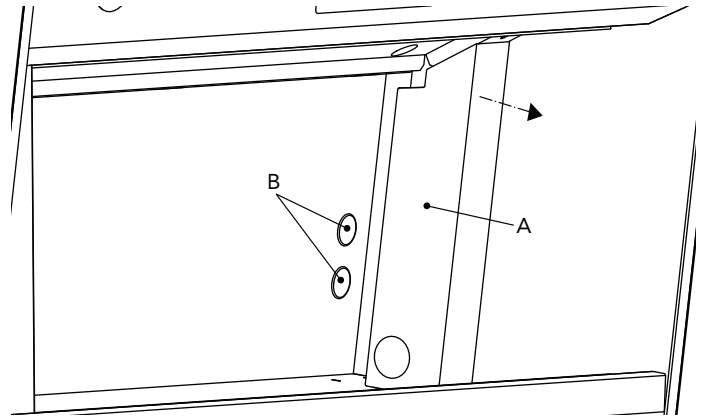
pouces (mm)

30" - 40" (762 - 1016) from cooking surface.

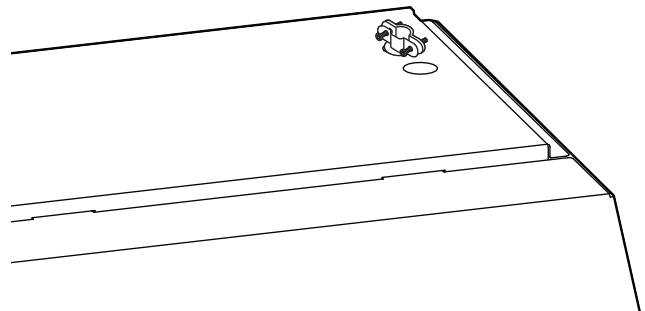
Dimension de la hotte	A
30" (762 mm)	15" (381 mm)
36" (914 mm)	18" (457 mm)
42" (1,067 mm)	21" (533 mm)
48" (1,219 mm)	24" (610 mm)
54" (1,372 mm)	27" (686 mm)
60" (1,524 mm)	30" (762 mm)

Préparation pour l'acheminement du câble

12. Enlevez la plaque de la boîte de connexion qui couvre les fils (Figure, "A").
13. Installez un serre-câble (non inclus) dans l'une des entrées défonçables circulaires (Figure, "B").



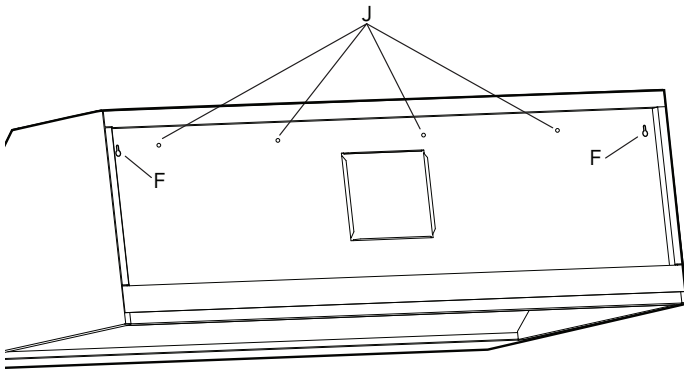
14. Installez un serre-câble (non inclus) dans l'une des entrées défonçables circulaires.



Fixation de la hotte à l'équerre de fixation en bois

15. Avant de suspendre la hotte, installez le raccord, comme sur la voir « Assemblage du raccord » à la page 36. Fixez le raccord avec deux vis à tôle de 3/8 po (fournies) et du ruban en aluminium, conformément aux codes en vigueur.

16. Avec une autre personne, soulevez la hotte et faites-la reposer sur les vis insérées dans le support en bois. Utilisez les encoches en trou de serrure identifiées par la lettre « F » sur la figure. Assurez-vous que le support en bois rentre bien dans la partie enfoncée à l'arrière de la hotte.



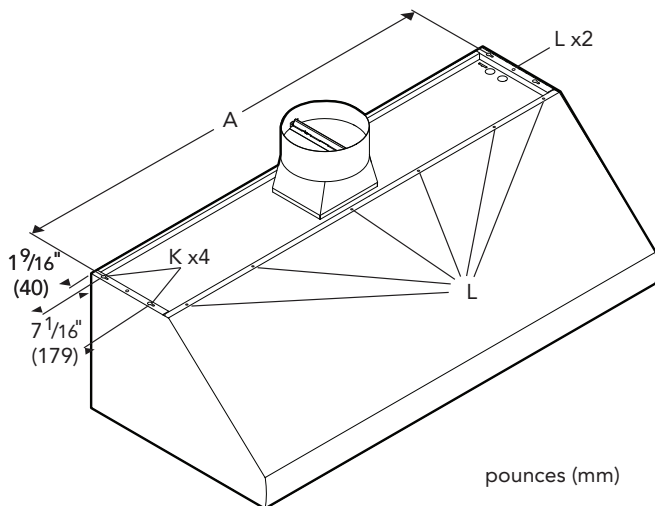
17. Serrez les vis dans les encoches en trou de serrure. Assurez-vous que la hotte est de niveau et ajustez-la au besoin.
18. À partir de l'intérieur de la hotte, fixez des vis de 5/8 po (16 mm) dans le support en bois, à travers les trous identifiés par la lettre « J ».
19. Installez les pièces de conduit supplémentaires.

Installation sous une armoire

Vous pouvez installer la hotte sous une armoire, laquelle sera soutenue par la partie supérieure.

Note : L'armoire doit être structurellement fixée aux montants du mur pour soutenir le poids de la hotte.

La figure montre les quatre trous de vis identifiés par la lettre « K » qui sont utilisés pour fixer la hotte à la base de l'armoire. Assurez-vous d'avoir enlevé les deux entrées défonçables.



Dimension de la hotte	A
30" (762 mm)	29" (737 mm)
36" (914 mm)	35" (889 mm)
42" (1,067 mm)	41" (1,041 mm)
48" (1,219 mm)	47" (1,194 mm)
54" (1,372 mm)	53" (1,346 mm)
60" (1,524 mm)	59" (1,499 mm)

1. À la base de l'armoire, percez des trous de guidage de 1/8 po (3 mm) comme indiqué à la dimension "A" de la Figure.
2. Insérez-y quatre vis de 1 po (25,4 mm), fournies avec la hotte, en laissant dépasser 1/4 po (6 mm) pour y accrocher la hotte.
3. Si la hotte est installée avec un débouché vertical, consultez la voir « Débouché Vertical la Transition » à la page 35 pour créer l'ouverture nécessaire pour le raccord et le tube protecteur.
4. Pour un débouché horizontal, utilisez la voir « Débouché Horizontal la Transition » à la page 35 pour connaître la forme de l'ouverture requise pour faire passer le raccord.
5. Accrochez la hotte aux vis et fixez-la solidement en place.
6. À partir de l'intérieur de la hotte, insérez les vis fournies de 5/8 po (16 mm) à travers les trous, une (1) de chaque côté et quatre (4) le long de la partie avant, dans la base de l'armoire. Voir les trous de vis identifiés par la lettre « L ».

Installation du ventilateur

Caractéristiques assignées du ventilateur et du disjoncteur :

Ventilateur	Modèle	Tension (CA)	Courant	Disjoncteur
À Distance	VTR630	120	4,2	15
À Distance	VTR1030	120	5,7	15
À Distance	VTR1330	120	8,5	15 / 20
De Conduit	VTI610	120	4,2	15
De Conduit	VTI1010	120	5,7	15
Intégré	VTN630	120	4,2	15
Intégré	VTN1090	120	5,4	15

9 ATTENTION

Pour réduire les risques d'incendie ou de décharge électrique, installez cette hotte uniquement avec les ventilateurs mentionnés dans le *Guide de Planification de Ventilation*.

NOTE : La garantie ou la possibilité de retour ou d'échange du produit s'annule si la prise du ventilateur est coupée.

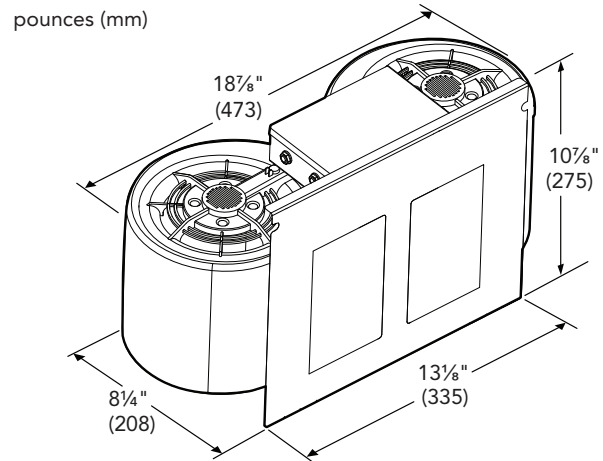
Tous les modèles de ventilateur sont vendus séparément. N'utilisez que des ventilateurs Thermador avec ces hottes. Veuillez consulter le guide de planification d'apport d'air supplémentaire pour connaître les systèmes compatibles de soufflerie. Communiquez avec le service à la clientèle pour d'autres options.

Tous les modèles de hotte sont prévus pour une tension d'alimentation de 120 V installée avec une soufflante répertoriée dans le tableau ci-dessus, en utilisant un disjoncteur spécialisé de 15 ampères. La soufflante VTR1330 en conjonction avec un PHxxGWS nécessite un disjoncteur de 20 ampères.

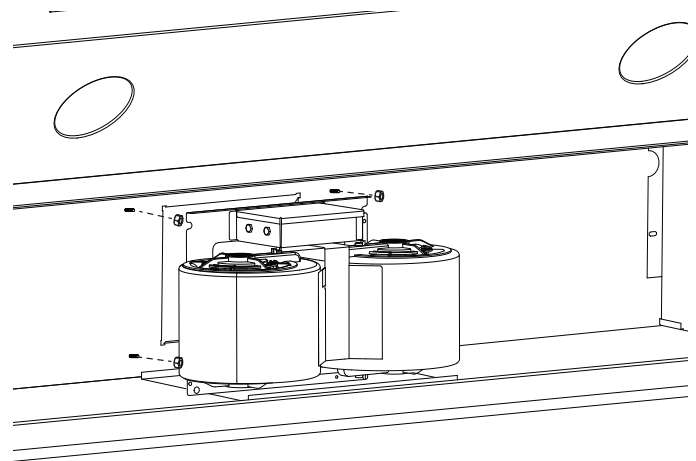
Le choix du ventilateur dépend du volume d'air qui doit être évacué ainsi que de la longueur et de l'emplacement du conduit. Pour les longs conduits qui comportent de nombreux coudes et changements de direction, envisagez d'utiliser un ventilateur plus puissant. Pour une évacuation d'air optimale, utilisez un conduit droit avec le moins de coudes possible (consultez la section « Préparation du conduit d'aération »).

Installation d'un ventilateur intégré seulement

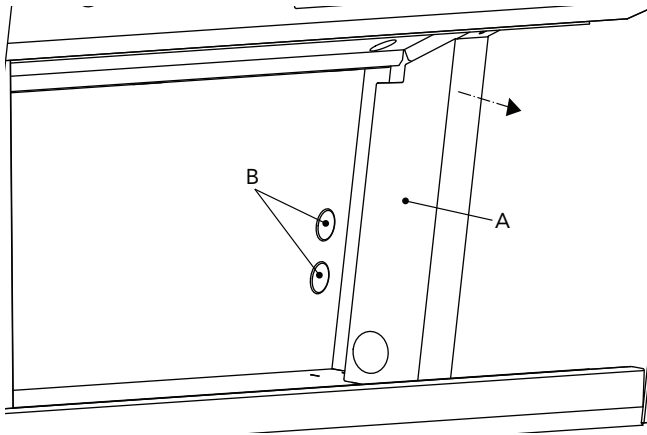
Le modèle de ventilateur intégré doit être installé une fois que la hotte est fixée au mur.



1. Le ventilateur est fixé à la hotte à l'aide des deux tiges soudées à la plaque de montage. La figure montre l'emplacement de ces tiges. Alignez la plaque de montage du ventilateur avec les tiges.
2. Fixez quatre (4) écrous (compris avec la hotte) aux tiges soudées. Serrez les écrous pour fixer le ventilateur à la hotte.



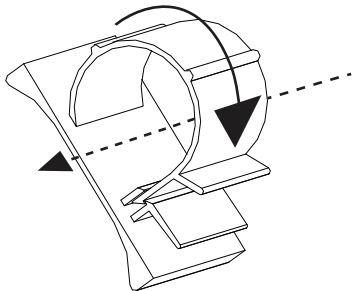
3. Enlevez le couvercle de la boîte de connexion qui recouvre les fils.



4. Enlevez les entrées défonçables circulaires.
5. Branchez le connecteur en tire-bouchon au connecteur situé à l'intérieur de la boîte de connexion.



6. Acheminez le faisceau du souffle au travers de la clip autoverrouillante.

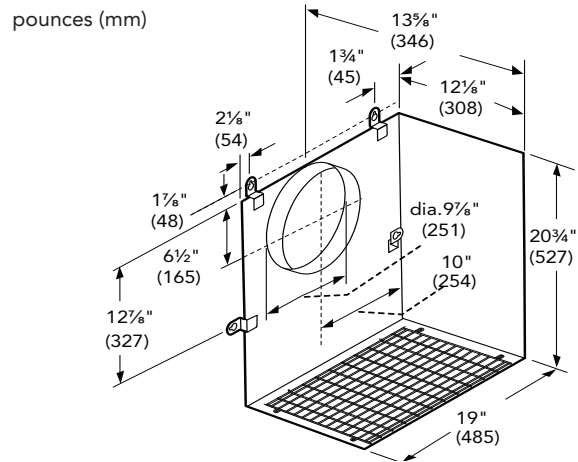


Câblage de la hotte avec un ventilateur à distance ou un ventilateur de conduit

Pour accéder aux instructions de montage complètes, consultez les directives fournies avec le module du souffleur.

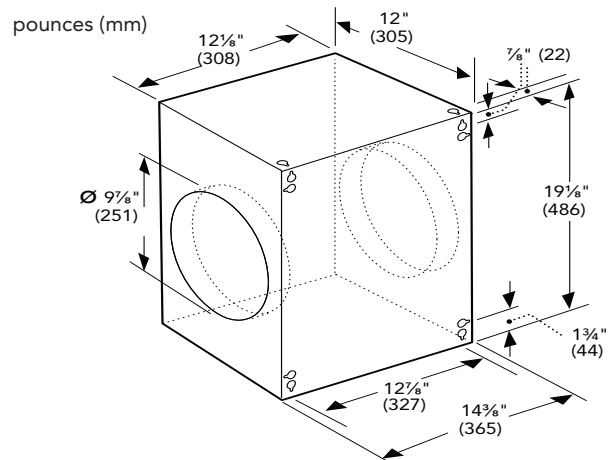
Ventilateur à distance

Selon la préférence et l'emplacement du conduit, ces ventilateurs peuvent être montés sur le toit ou un mur extérieur de la maison. Il peut être plus attrayant de l'installer à l'extérieur pour réduire le bruit dans la cuisine.



Ventilateur De Conduit

Pour minimiser le bruit dans la cuisine, ces ventilateurs sont montés le long de la ligne de conduit, n'importe où entre la cuisine et l'extérieur. Si la ligne de conduit est facile d'accès (dans le grenier, par exemple), cette option peut s'avérer attrayante.

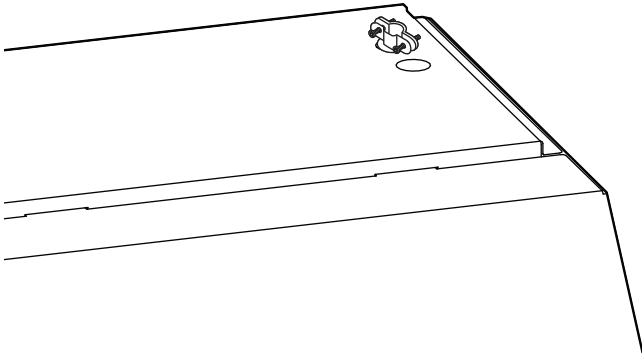


1. Enlevez le couvercle de la boîte de connexion qui recouvre les fils.
2. Enlevez les entrées défonçables circulaires.
3. Acheminez la fiche du connecteur du moteur du souffleur vers la hotte. Raccordez le faisceau du souffleur à celui de la hotte.
4. Acheminez le faisceau du souffle au travers de la clip autoverrouillante.

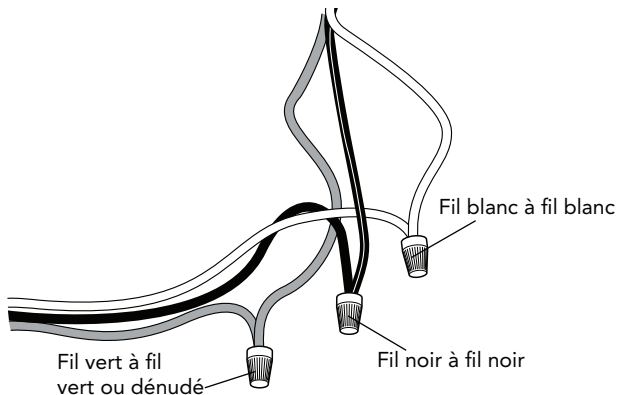
Branchement des câbles

Acheminement des câbles

1. Faites passer un câble d'alimentation de 120 VCA, 60Hz, 15 A ou 20 A du panneau de service à travers l'un des trous de la plaque supérieure. (Protecteur de cordon requis. Non compris.)



2. Branchez le fil noir au fil d'alimentation noir, le fil blanc au fil d'alimentation blanc et le fil vert au fil vert ou dénudé.



3. Placez toutes les câbles branchés dans le passe-câbles de la boîte de connexion. Réinstallez la plaque de protection. Assurez-vous que les câbles sont solidement fixés ensemble et qu'ils ne sont pas coincés.

Câble de connexion du ventilateur EXTNCB25W (optionnel)

Pièces Fournies

- 1 – câble de 25 pi
- 2 – câbles adaptateurs (non requis pour tous les modèles)

Connexion du câble de rallonge du ventilateur

Le faisceau du ventilateur interne doit passer à travers l'entrée défonçable et être fixé à l'aide d'un serre-câbles de 1 po (25,4 mm). Le faisceau éloigné peut ensuite être branché au faisceau du ventilateur, à l'extérieur de l'appareil.

NOTE : La garantie de l'appareil s'annule si le connecteur est coupé.

Le câble de rallonge du ventilateur est compatible avec les ventilateurs de conduit et à distance suivants :

Ventilateur	Modèle
Ventilateur à distance	VTR630
Ventilateur à distance	VTR1030
Ventilateur à distance	VTR1330
Ventilateur de conduit	VTI610
Ventilateur de conduit	VTI1010

Installation de la commande à distance (optionnel)

Il est recommandé de procéder au câblage de la commande à distance une fois que la hotte a été installée.

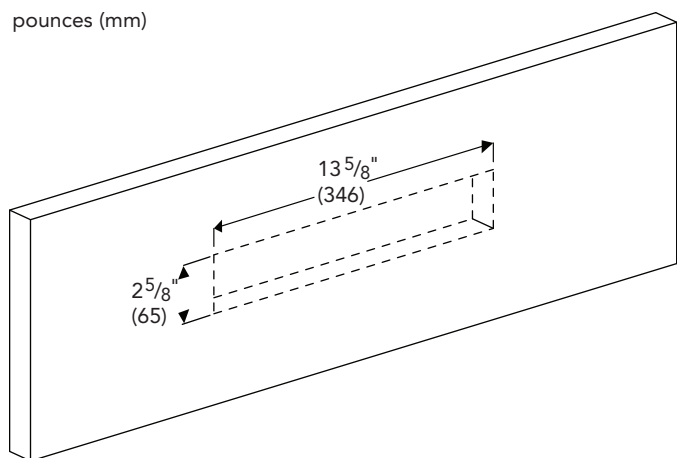
REMCPW Pièces Comprises

- 1 – Commande à Distances
- 1 – Faisceau d'extension de 30 pi

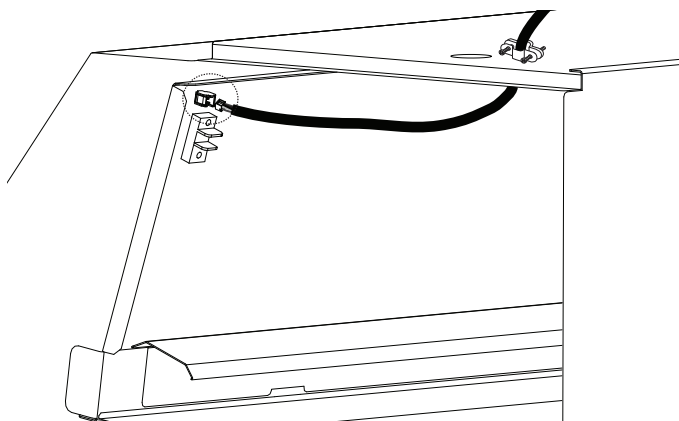
IMPORTANT : La découpe d'un connecteur à l'appareil ou à la trousse de la rallonge annulera la garantie.

1. Préparation du mur pour installation, comme illustré (vue face au mur).

pouces (mm)

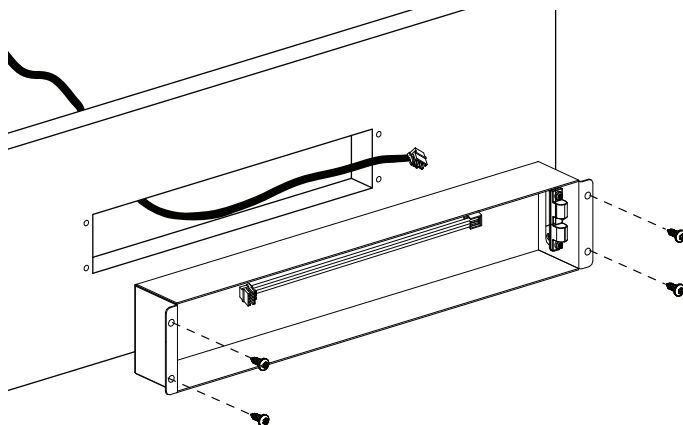


2. Accédez au câblage de la hotte. Acheminez le faisceau d'extension de 30 pi (914 cm) vers la bride de fixation carrée en passant à travers le protecteur de cordon jusqu'à ce qu'il s'enclenche.

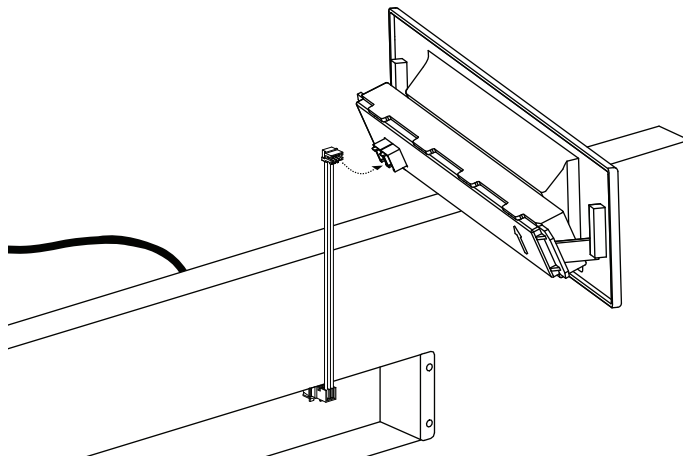


3. Faites passer le faisceau d'extension de 30 pi (914 cm) par la découpe et fixez-le au dos du support de la télécommande.

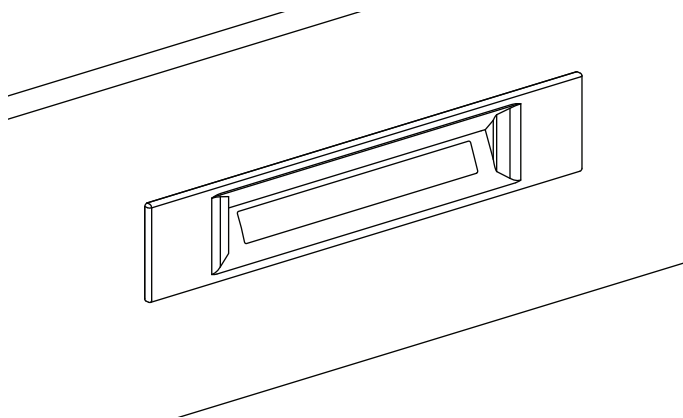
4. Fixez le support à l'intérieur de la découpe en appuyant dessus. Percez un trou taraudé de 1/4 po (6 mm) dans les trous du support pour atteindre le mur. Fixez le support au mur avec les quatre (4) vis fournies.



5. Raccordez le connecteur du faisceau de fil à l'intérieur du support à la borne au dos de la télécommande. Utilisez une borne ou l'autre.



6. Enclenchez la télécommande dans le support.

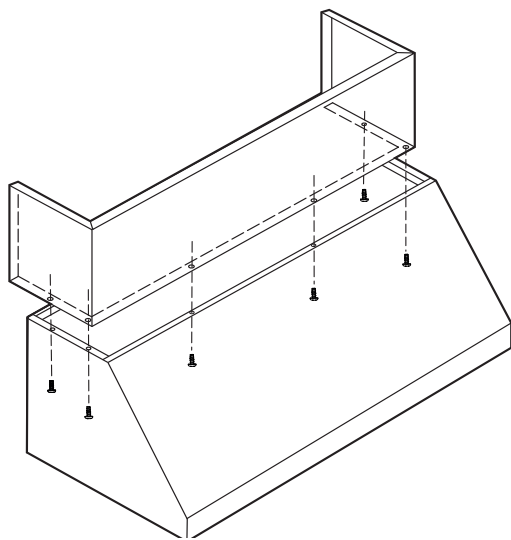


Assemblage du recouvrement de conduit (optionnel)

Certains modèles, un recouvrement de conduit optionnel peut être utilisé pour remplir l'espace entre la hotte et le plafond. Des recouvrements d'une hauteur de 6 po (152 mm) et 12 po (305 mm) sont disponibles et peuvent être commandés séparément.

La figure illustre une installation type de la hotte avec un recouvrement de conduit. Des recouvrements de conduit optionnels de 6 po ou 20 – 54 po cheminée télescopique sont utilisés pour remplir l'espace libre entre la hotte et le plafond (vendus séparément).

La structure de la cheminée est prise en charge par la hotte.



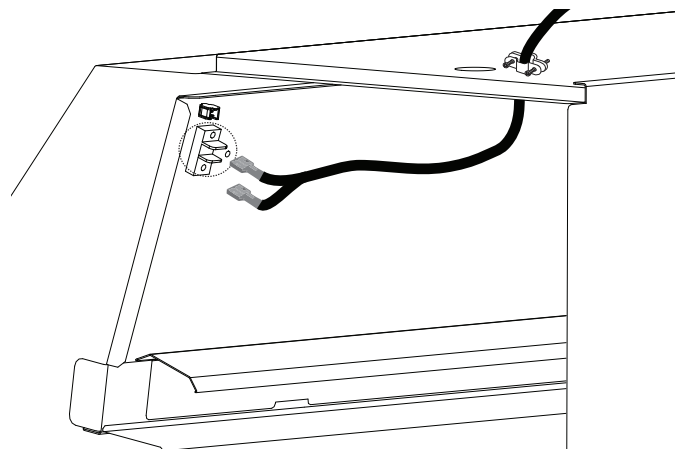
1. Si vous utilisez plusieurs recouvrements de conduit, fixez les pièces les unes aux autres à l'aide des vis à tôle fournies.
2. Fixez le(s) recouvrement(s) de conduit à la hotte à l'aide des vis à tôle.
3. À partir de l'intérieur de la hotte, insérez les vis de 5/8 po (16 mm) fournies à travers les trous indiqués de chaque côté de la hotte, le long de la partie avant, dans la base du recouvrement de conduit.

Commutateur à relais pour clapet d'appoint d'air (facultatif)

Il se peut que les codes locaux demandent l'utilisation d'un clapet antirefoulement et/ou pour air d'appoint supplémentaire. Communiquez avec un professionnel en système de chauffage, de ventilation et de climatisation (CVC) de votre région pour connaître les exigences.

La hotte dispose d'un commutateur à relais pour raccorder un clapet d'appoint d'air (max. 120 V). Les installations varient en fonction de l'emplacement de la maison où sera installé l'appareil et le clapet utilisé. Utilisez l'image ci-dessous comme guide au moment de l'installation. Respectez toujours les exigences des codes locaux.

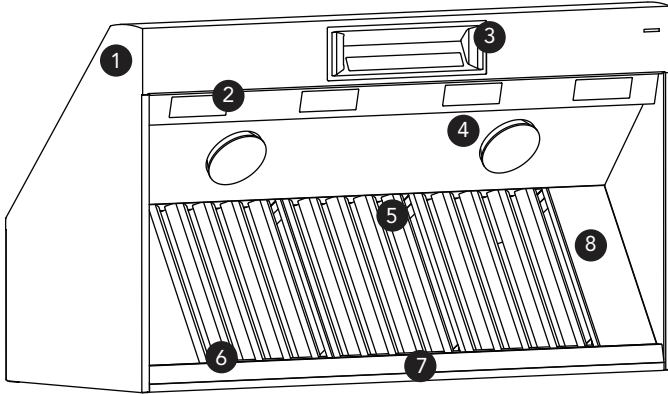
1. Accédez au câblage de la hotte.
2. Acheminez le faisceau du clapet d'appoint d'air par le protecteur de fil vers la plaque à bornes.
 - Les raccordements électrique et de retour de la trousse d'appoint d'air s'enfichent dans n'importe quelle borne. Il n'y a aucune exigence en matière de polarité sur la plaque à bornes à deux broches.



3. Fixez solidement le fil de mise à la terre avec la vis verte de mise à la terre T-20.

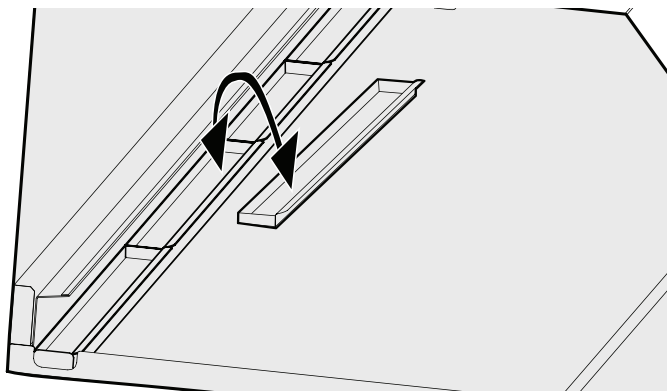
Installation des filtres, des plateaux à graisse et des pièces d'espacement

La vue peut varier

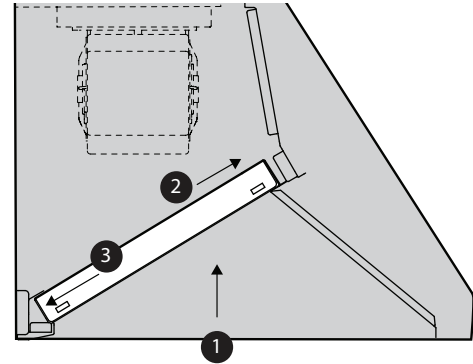


- | | |
|------------------------------------|-------------------------|
| (1) Canopée | (2) DEL s'allume |
| (3) Bandeau tactile | (4) Lampes infrarouges |
| (5) Filtres | (6) Plateau à graisse |
| (7) Rainure des plateaux à graisse | (8) Pièces d'espacement |

1. Tournez le ventilateur et lumières éteintes.
2. Enlevez tout le plastique des pièces de la hotte.
3. Insérez les pièces dans l'ordre suivant :
 - 1) Plateaux à graisse – poussez les plateaux dans la partie inférieure de l'intérieur de l'appareil. Les plateaux à graisse doivent être en place avant l'installation des filtres.



- 2) Filtres – Commencez par insérer le filtre de 8 po au centre, puis ajoutez les autres jusqu'aux bords. Poussez vers le haut et faites glisser vers l'avant de la hotte, puis poussez vers le fond.



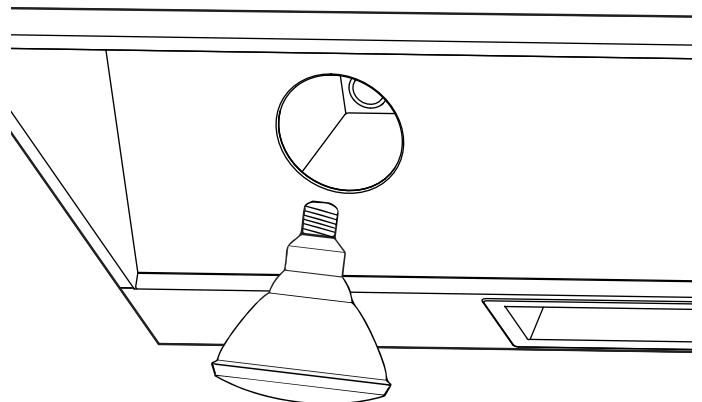
- 3) Pièces d'espacement – insérez les pièces d'espacement de la même manière que les filtres.
4. Suivez les directives ci-dessus dans le sens inverse pour enlever le plateau à graisse, les filtres et les pièces d'espacement à filtre.

NOTE : N'utilisez pas la surface de cuisson lorsque la hotte n'est pas assemblée. Les plateaux à graisse doivent être en place avant d'installer les filtres.

Remplacement des lampes infrarouges

- Tournez l'ampoule infrarouge dans le sens horaire pour l'installer.
- Remplacez l'ampoule par une ampoule PAR-38 175W ou une ampoule PAR-40 250W.

Consultez le guide d'utilisation et d'entretien pour obtenir de plus amples renseignements.



Service et liste de vérification de l'installateur

Liste de vérification à l'intention de l'installateur

Vérification final

- _____ Espaces libres indiqués respectés par rapport à la surface de cuisson.
- _____ L'appareil est de niveau.
- _____ Tout le matériel d'emballage a été enlevé.
- _____ Le propriétaire sait où se trouve le tableau de disjoncteurs.
- _____ Mise à la terre adéquate.
- _____ Écrivez le numéro de modèle et le numéro de série sur trouvant sur la plaque signalétique dans le Manuel d'Utilisation et d'Entretien. Laissez le Manuel d'Utilisation et d'Entretien et le Manuel d'Installation au propriétaire de l'appareil.
- _____ Laissez la brochure des directives de Home Connect^{MC} avec le propriétaire de l'appareil électroménager. Pour optimiser le plein potentiel des fonctionnalités de l'appareil électroménager, le propriétaire devrait télécharger l'appli Home Connect^{MC} sur son appareil intelligent et appairer l'appareil électroménager avec le dispositif Wi-Fi de la maison.

- Vous pouvez nettoyer l'acier inoxydable en le frottant avec un chiffon doux et de l'eau savonneuse tiède. Frottez et séchez toujours l'acier inoxydable dans le sens du grain. Rincez-le à l'eau claire et séchez-le avec un chiffon doux.
- Pour polir et protéger l'acier inoxydable, appliquez du produit à acier inoxydable avec un chiffon doux. Vous pouvez vous procurer le produit pour acier inoxydable de Thermador à la boutique en ligne (store.thermador.com/us/). Commandez le produit 00576697.
- NE laissez PAS les dépôts rester pendant de longues périodes.
- N'utilisez PAS de laines ou brosses d'acier ordinaires. De petits dépôts d'acier pourraient adhérer à la surface et la faire rouiller.
- NE permettez PAS que des solutions salées, des éponges ou produits nettoyants abrasifs, des désinfectants, de l'eau de Javel ou d'autres produits nettoyants restent en contact avec l'acier inoxydable pendant de longues périodes. Plusieurs de ces produits contiennent des produits chimiques potentiellement nuisibles. Rincez avec de l'eau après chaque exposition et séchez avec un chiffon propre.

Avant d'appeler le service à la clientèle

Dépannage

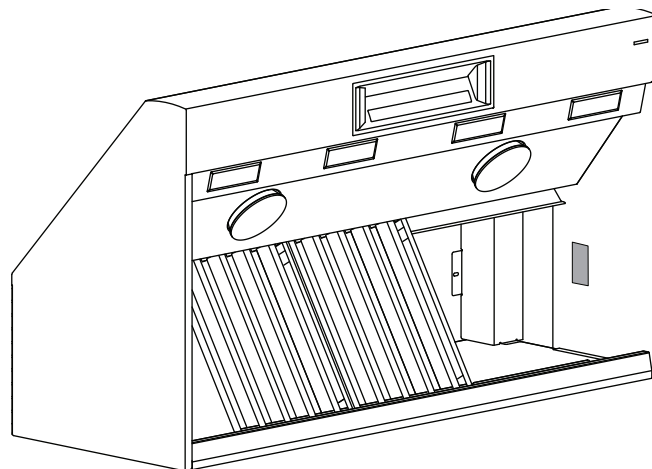
Consultez la section dépannage du manuel d'utilisation et d'entretien. Rapportez-vous à la garantie du manuel d'utilisation et d'entretien. Ayez à portée de la main les renseignements imprimés sur la plaque signalétique de votre appareil lorsque vous appelez le service à la clientèle.

Consultez les coordonnées apparaissant au verso du manuel pour joindre un représentant du service à la clientèle. Ayez à portée de la main les renseignements imprimés sur la plaque signalétique de votre appareil lorsque vous appelez le service à la clientèle.

Plaque signalétique du produit

La plaque signalétique indique le numéro de modèle et le numéro de série. Elle se trouve derrière les filtres. Rapportez-vous à la plaque signalétique lorsque vous demandez du service.

La plaque se trouve sur le boîtier, derrière le filtre. Enlevez le filtre pour la consulter.



Índice de MATERIAS

Seguridad	48
Instrucciones importantes de seguridad	48
Planificación avanzada	51
Antes de comenzar	51
Información general	52
Instrucciones de instalación	53
Factores a tener en cuenta para la instalación	53
Exigencias eléctricas.....	55
Preparación del conducto de aireación	55
Configuraciones de conductos comunes	58
Elección de un ventilador adecuado	59
Junta de la campana	59
Instalación mural	60
Instalación bajo un armario	63
Instalación del motor del ventilador	64
Conexión de los cables	66
Instalación del mando a distancia	67
Instalación de la cubierta para el conducto	68
Instalar filtros, bandejas para la grasa y separadores	69
Reemplazo de las lámparas infrarrojas	69
Servicio y lista de chequeo del instalador	70
Lista de chequeo para el instalador	70
Antes de solicitar servicio	70
Placa de señalización del producto	70
Servicio, piezas y accesorios.....	contraportada

Definiciones de SEGURIDAD

▲ ADVERTENCIA

Esto indica que se pueden producir lesiones graves o la muerte si no se cumple con esta advertencia.

▲ PRECAUCIÓN

Esto indica que pueden producirse lesiones leves o moderadas si no se cumple con esta advertencia.

NOTA: Esto indica que puede producirse un daño al electrodoméstico o a la propiedad como resultado de la falta de cumplimiento de este aviso.

Nota: Esto lo alerta sobre información y/o consejos importantes.

Este electrodoméstico de THERMADOR®
 está hecho por BSH Home Appliances Corporation
 1901 Main Street, Suite 600
 Irvine, CA 92614

¿Preguntas?

1-800-735-4328

www.thermador.com

¡Esperamos oír de usted!

⚠ INSTRUCCIONES IMPORTANTES DE SEGURIDAD LEA Y GUARDE ESTAS INSTRUCCIONES

INSTALADOR: Guarde estas instrucciones para el inspector de la empresa proveedora de gas de su localidad. Deje esas instrucciones de instalación junto con el aparato para el propietario. Muestre al propietario la ubicación del disyuntor o del fusible. Márquela para recordarla más fácilmente.

PROPIETARIO: Guarde estas instrucciones para futuras referencias.

⚠ ADVERTENCIA



Si no sigue rigurosamente la información contenida en este manual podría provocar un incendio o una explosión, y como resultado podría causar daños a la propiedad, lesiones o la muerte.

-
- No guarde o use materiales combustibles, gasolina u otros productos inflamables, bajo cualquier tipo de envase cerca de esta placa de cocción o de cualquier otro aparato.
 - QUÉ HACER EN CASO DE OLER A GAS
 - No trate de encender ningún aparato.
 - No toque ningún interruptor eléctrico.
 - No use ningún teléfono en su casa.
 - Llame de inmediato a su proveedor de gas desde el teléfono de algún vecino y siga las instrucciones de su proveedor de gas.
 - Cuando no pueda localizar a su proveedor de gas, llame a los bomberos.
 - Un instalador cualificado, una agencia de servicio autorizada o el proveedor de gas debe realizar la instalación y el servicio.
-

⚠ ADVERTENCIA

Corte la alimentación eléctrica y bloquee el panel del disyuntor antes de instalar el cableado de este aparato. Requisitos: 120 VCA, 60 Hz, 15 A o 20 A en algunos modelos. Antes de proceder al mantenimiento del aparato, déjelo enfriar una vez haya cortado la alimentación.

⚠ ADVERTENCIA

Dispositivo Automático

Para evitar el riesgo de lesiones desconectar siempre el aparato de la red eléctrica antes de realizar cualquier trabajo.

⚠ ADVERTENCIA

PARA REDUCIR EL RIESGO DE INCENDIO, DE DESCARGA ELÉCTRICA Y DE LESIONES, SIGA LAS SIGUIENTES INSTRUCCIONES:

- Sólo use este aparato de la manera prevista por el fabricante. Si tiene preguntas, póngase en contacto con el fabricante.
 - Antes de limpiar o de proceder al mantenimiento del aparato, corte la alimentación eléctrica en el panel y bloquee el dispositivo de desconexión para evitar que se vuelva a encender la alimentación eléctrica por error. Si el dispositivo de corte de electricidad no se puede bloquear, ponga una advertencia (como una etiqueta) fácilmente visible en el disyuntor. Póngase en contacto con el fabricante a la dirección o al número de teléfono que figuran en la página posterior.
-

⚠ ADVERTENCIA

No repare ni reemplace ninguna pieza del aparato a menos que el presente manual lo recomiende expresamente. La instalación, reparación y el mantenimiento incorrectos del aparato pueden causar lesiones a personas, daños a la propiedad, o anular la garantía del producto. Consulte este manual para obtener consejos. Un técnico cualificado debe llevar a cabo todos los demás trabajos de mantenimiento.

INSTRUCCIONES IMPORTANTES DE SEGURIDAD

LEA Y GUARDE ESTAS INSTRUCCIONES

ADVERTENCIA



RIESGO DE DESCARGA ELÉCTRICA

- No quite la clavija de toma de tierra.
 - No use un alargador eléctrico.
 - Una toma de tierra inadecuada para el aparato puede aumentar los riesgos de descarga eléctrica.
 - El hecho de no seguir las instrucciones de este manual puede causar la muerte o provocar un incendio o una descarga eléctrica.
-

Instrucciones para la toma de tierra

Para el correcto funcionamiento de este aparato debe realizarse la toma de tierra. En el caso de un cortocircuito, la toma de tierra reduce los riesgos de descarga eléctrica proporcionando a la corriente eléctrica una vía de escape segura.

Asegúrese de que un electricista cualificado efectúe la conexión y la toma de tierra de este aparato. La instalación, la conexión eléctrica y la toma de tierra deben cumplir con todos los códigos vigentes.

Si lo exige el Código nacional de la electricidad (o el Código Canadiense de la electricidad, este aparato se debe instalar en un circuito de derivación separado.

ADVERTENCIA

Para reducir los riesgos de incendio y de descargas eléctricas, no utilice este aparato con un dispositivo electrónico de control de velocidad.

Normas y códigos de seguridad

Este aparato respeta una o varias de las normas siguientes:

- UL507, norma de seguridad para ventiladores eléctricos.
- CAN/CSA-C22.2 No. 113 – ventiladores

Corresponden al dueño y al instalador determinar si se deben aplicar requisitos o normas adicionales a la instalación específica.

PRECAUCIÓN



El aparato es pesado. Se necesitan por lo menos dos personas, o el equipo adecuado, para levantarlo y desplazarlo.

Las superficies ocultas del aparato pueden tener salientes cortantes. Tenga cuidado al manipular el aparato. De lo contrario, podría causar de daños a la propiedad o lesiones corporales.

Disposición de la Propuesta 65 del Estado de California:

ADVERTENCIA

Este producto puede exponerle a sustancias químicas, incluyendo cloruro de vinilo, que el estado de California sabe que provocan cáncer, defectos congénitos u otro daño reproductivo. Para obtener más información, ir a la página web: www.P65Warnings.ca.gov.

Nunca modifique la construcción del aparato. Por ejemplo, no quite los paneles laterales, los cubre cables, los tornillos o los soportes.

PRECAUCIÓN

Sólo para ventilación general. No use este aparato para evacuar gases o materiales explosivos o peligrosos. Para reducir el riesgo de incendio, sólo use conductos metálicos.

Contrate a un instalador cualificado.

Retire toda la cinta y el embalaje antes de usar el electrodoméstico. Desechar el embalaje de manera respetuosa con el medio ambiente. Nunca deje que los niños jueguen con el material de embalaje.

INSTRUCCIONES IMPORTANTES DE SEGURIDAD

LEA Y GUARDE ESTAS INSTRUCCIONES

ADVERTENCIA

PARA REDUCIR EL RIESGO DE INCENDIO, DE DESCARGA ELÉCTRICA O DE LESIÓN, SIGA LAS SIGUIENTES INSTRUCCIONES:

- Los trabajos de instalación y de cableado eléctrico deben de llevarse a cabo por una persona cualificada conforme a las estipulaciones de todas las normas y regulaciones vigentes, incluso las normas de construcción clasificadas como resistentes al fuego.
- Para evitar contracorrientes, se requiere una cierta cantidad de aire para la combustión y la evacuación de los gases por el tiro del aparato de combustión. Siga las indicaciones de calentamiento del fabricante del aparato y las normas de seguridad, como las publicadas por la National Fire Protection Association (NFPA), la Heating, Refrigeration and Air Conditioning Engineers (ASHRAE) y las autoridades locales.
- No extraiga el aire hacia los espacios entre las paredes, el techo, el ático, los vacíos sanitarios o el garaje.
- Los ventiladores con conductos siempre deben extraer el aire hacia afuera.
- Los ventiladores entubados siempre deben ser ventilados hacia el exterior.
- **UTILICE SÓLO CONDUCTOS METÁLICOS.**
- Cuando corte o perfore una pared o un techo, asegúrese de no dañar el cableado eléctrico o cualquier otra instalación técnica que pueda estar oculta.

PRECAUCIÓN

Se debe instalar un ventilador exterior detrás de las rejillas o en un lugar donde sea poco probable que se ubique la entrada de extracción de agua.

Planificación avanzada

Antes de comenzar

⚠ PRECAUCIÓN

Antes de proceder a la instalación del aparato, corte la alimentación eléctrica en el panel y bloquee el dispositivo de desconexión para evitar que se vuelva a encender la alimentación eléctrica por error.

Piezas Proporcionadas

- Racor metálico con registro anti retorno
- Filtros de acero inoxidable
- Separadores de filtros de acero inoxidable
- Bandejas para la grasa de acero inoxidable
- Lámparas infrarrojas (ciertos modelos)
- Adaptador para ventilador a distancia
- Soporte de madera para el montaje de la campana
Pieza de montaje. NO LO TIRE.
- Sobre de documentos con juego de elementos de fijación*

* Los elementos de fijación proporcionados sirven para fijar el aparato a los travesaños de la pared, a través de tablas de yeso de grosor estándar. Los instaladores son los responsables de proporcionar los elementos de fijación para el resto de posibles situaciones de montaje.

Herramientas y piezas necesarias

- Ventilador (Consultar la Guía de Planeación de Ventilación para obtener información sobre los ventiladores compatibles.)
- Conducto de aireación, según las necesidades
- Cinta de aluminio, NO use cinta para conductos
- Tubo protector de 1/2 pulg. (13 mm) si es necesario, siga los códigos locales
- Prensacable de 1 pulg. (25,4 mm)
- Destornilladores plano y Phillips
- Taladrar con broca de 3/16" (4.76 mm)
- Llave de tuerca o carraca y boquilla de 3/8" (9 mm)
- Pelacable
- Cinta métrica

NOTA: No tire el embalaje antes de que el aparato esté completamente instalado.

Los accesorios opcionales están disponibles para su compra por separado

Consulte www.thermador.com para obtener más detalles.

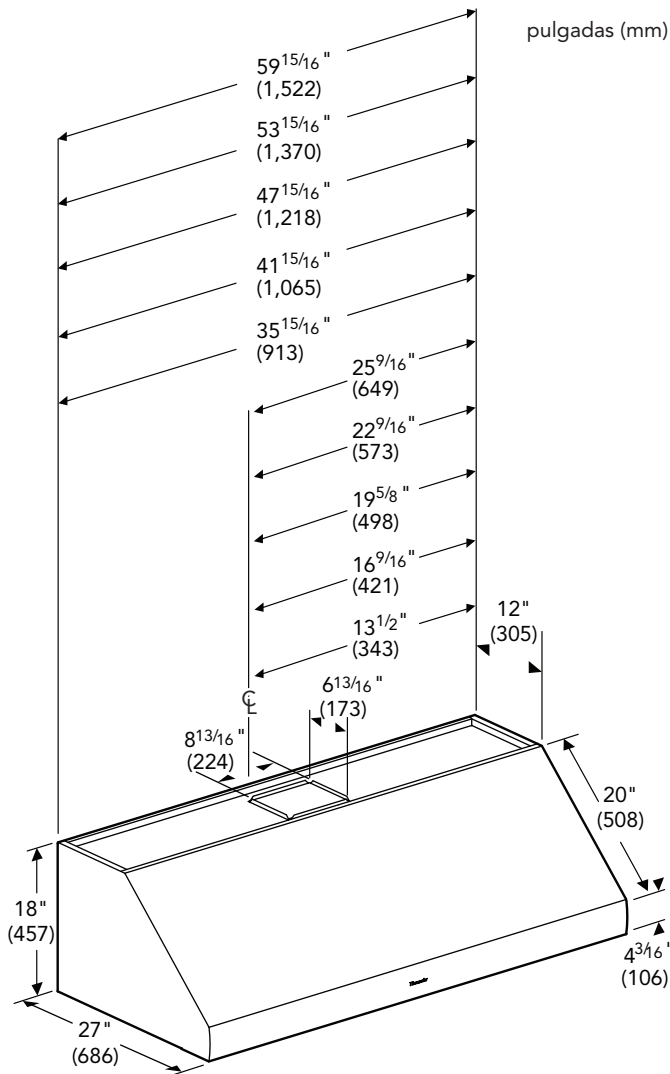
- DC***W – 6" Chimenea alta
- DC**TW – Chimenea telescópica
- REMCPW – Mando a distancia
- EXTNCB25W – Cable de conexión de 25 pies para soplador
- WC8 - 8" Cubierta de pared
- WC10 - 10" Cubierta de pared
- RFPLT600P - Placa de techo para utilizarse con módulo de ventilador 600 CFM VTR630
- RFPLT1000P - Placa de techo para utilizarse con módulo de ventilador 1000 CFM VTR1030 y 1300 CFM ventilador VTR1330

Información general

Dimensiones totales

PHxxGWS

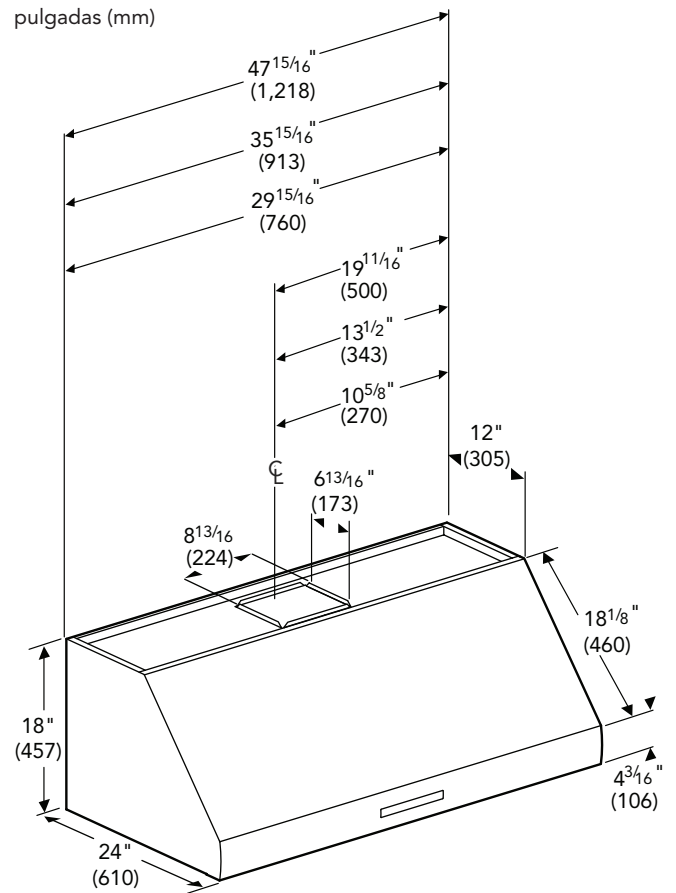
27 pulg. (686 mm) de profundidad. Los modelos de esta serie se caracterizan por su armazón de acero inoxidable cepillado, sus lámparas LED y sus lámparas infrarrojas.



NOTA: La transición es horizontalmente centrada.

PHxxHWS

24 pulg. (610 mm) de profundidad. Los modelos de esta serie se caracterizan por su armazón de acero inoxidable cepillado y sus lámparas LED.



NOTA: La transición es horizontalmente centrada.

Instrucciones de instalación

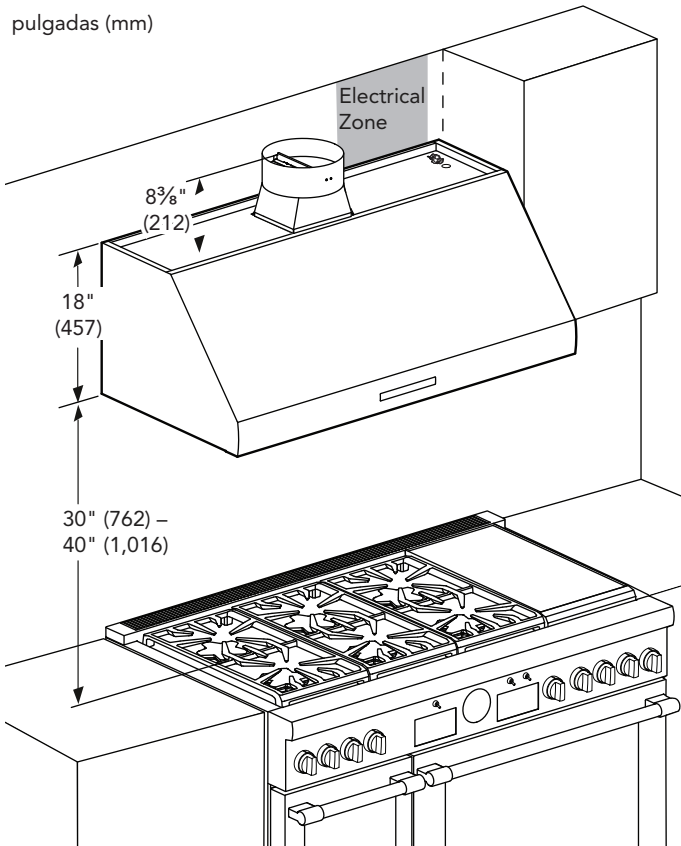
Factores a tener en cuenta para la instalación

Espacios y requisitos

El conducto de la campana debe evacuar el aire al exterior. No se puede usar con un aparato de recirculación de aire.

La altura de instalación de la campana sobre la placa de cocción, de la cocina o de los fogones puede variar. Para obtener la altura de instalación necesaria sobre la placa de cocción, de la cocina o de los fogones, consulte el manual de instalación del aparato.

pulgadas (mm)



*Siga las recomendaciones del fabricante del aparato.

AVISO: Si la campana está instalada a una distancia inferior a los espacios libres mínimos, y además, se utilizan a la vez varios quemadores de una placa de cocción o de una estufa Professional® de Thermador bajo la campana, el calor puede dañarla.

Anchura de la campana

La anchura máxima de la campana no debe ser inferior a la anchura de la placa de cocción. Para ofrecer un rendimiento adecuado, el armazón de la campana debe cubrir la totalidad de la placa de cocción.

La campana debe estar centrada sobre la placa de cocción para un resultado óptimo. Cuando hay espacio suficiente, se puede utilizar una campana más ancha para aumentar la cobertura.

Distancia hasta la placa de cocción

La altura de instalación debe ser como mínimo de 30 pulg. (762 mm) a una altura máxima 40 pulg. (1016 mm) sobre la placa de cocción. Se deben respetar las instrucciones de instalación del fabricante del aparato de cocción para establecer la altura adecuada de la campana.

Peso del aparato

Esta campana de ventilación es pesada. Se debe proporcionar la estructura y el soporte adecuados en todos los tipos de instalaciones. Al calcular la carga del sistema de soporte del armazón, asegúrese de tener en cuenta el peso del aparato de ventilación.

Modelo	Peso
PH30HWS	62 lb (28 kg)
PH36HWS	70 lb (32 kg)
PH48HWS	85 lb (39 kg)
PH36GWS	75 lb (34 kg)
PH42GWS	84 lb (38 kg)
PH48GWS	90 lb (41 kg)
PH54GWS	96 lb (44 kg)
PH60GWS	103 lb (47 kg)
Ventilador integrado VTN1090R	23 lb (11 kg)
Ventilador integrado VTN630W	11 lb (5 kg)

AVISO:

Los pesos indicados sólo tienen cuenta de la campana y el ventilador. El instalador debe tener en cuenta todo el material de construcción para calcular el peso muerto total de la instalación, incluyendo, sin limitarse a ello, la pared, los azulejos, el mortero, el yeso, los ladrillos, el acabado, los muros de separación y otros elementos arquitectónicos y estructurales semejantes.

Corresponden al dueño y al instalador determinar si se deben aplicar requisitos o normas adicionales a la instalación específica.

Motores del soplador

Puede obtener los sopladores internos, en línea y remotos por medio de su distribuidor Thermador® autorizado. Para obtener información sobre distribuidores locales, visite la sección "Find a dealer" (Encuentre un distribuidor) de nuestro sitio web www.thermador.com.

El tamaño del soplador varía según la superficie de cocción, el volumen de aire que deba mover y la longitud del tramo del conducto. Consulte la sección «Instalación del motor del ventilador» para obtener información detallada sobre el motor del soplador.

Carpintería de la pared

Teniendo en cuenta el peso de la campana, asegúrese de que el soporte de montaje de madera esté fijado a todos los travesaños disponibles de la pared.

La carpintería debe estar bien fijada y junto a las vigas del techo para proporcionar la fuerza estructural suficiente para soportar el peso de la campana y del ventilador interno, si es necesario.

La carpintería de la pared debe estar compuesta, como mínimo, por maderos de 2 pulg. por 4 pulg. Se necesita un soporte estructural adecuado para soportar el peso de la campana.

Exigencias eléctricas

⚠ PRECAUCIÓN

Se debe realizar una toma de tierra para este aparato. La instalación del aparato debe de llevarse a cabo por un electricista cualificado conforme a los códigos locales y nacionales vigentes de la electricidad.

Se debe conectar este aparato a un circuito de derivación de 120 VCA, 60 Hz, 15 A. El soplador VTR1330 junto con un PHxxGWS requiere un interruptor automático de 20 amperios. Se debe conectar la campana únicamente a un tomacorriente mural con toma de tierra instalada conforme a las regulaciones vigentes.

Cuando están protegidas por un interruptor de fallos con toma de tierra (GFCI), las campanas Professional de Thermador pueden utilizarse en sitios húmedos, protegidos de las condiciones meteorológicas exteriores y no sujetos a saturaciones de agua u otros líquidos, aunque presenten cierto grado de humedad (como en terrazas cubiertas o verandas). Consulte los códigos locales, el código nacional de la electricidad o el Código canadiense de la electricidad así como la autoridad competente para obtener más información.

Consulte los códigos de construcción locales para conocer el método de instalación adecuado. En EEUU, si no hay un código local vigente, se debe instalar este aparato conforme a la edición más reciente de la norma 70 del Código nacional de la electricidad ANSI/NFPA. En Canadá, la instalación se debe hacer conforme a las normas CAN 1- B149.1 y .2 para aparatos de gas o los códigos locales vigentes.

⚠ ADVERTENCIA

Se debe realizar una toma de tierra para este aparato.

NOTA: Se venden cables de conexión para ventilador a distancia (EXTNCB25W) de 25 pies si se quiere conectar la campana a un ventilador a más de 25 pies de distancia (adquirido por separado). NO utilice más de un cable de conexión para cada instalación.

Datos eléctricos de la placa de señalización

Los datos eléctricos del aparato, incluidos el número de modelo y el número de serie, se encuentran en la placa de señalización situada en el interior del aparato, visible cuando se quita el marco de los filtros. (Consulte la sección «Placa de señalización del producto».)

Preparación del conducto de aireación

Dirección de descarga

El aire debe ser evacuado hacia arriba mediante un conducto o directamente fuera a través de la pared exterior.

Recomendaciones para el conducto

El buen rendimiento depende de un conducto adecuado. El código de construcción local puede exigir que se use un sistema de aire de recambio, cuando se use un sistema de ventilación con conductos cuya cantidad de pi^3/min de aire sea superior a lo indicado. Los pies cúbicos por minuto varían de un sitio a otro. Incumbe al dueño y al instalador determinar si se deben aplicar requisitos o normas adicionales a la instalación específica.

NO USE CONDUCTOS FLEXIBLES. Esos conductos crean turbulencias y reducen el rendimiento. Instale siempre una tapa metálica en el lugar donde salga el conducto de la casa.

TEMPERATURAS FRÍAS. Para una instalación donde las condiciones meteorológicas son frías, se debe instalar un registro anti retorno adicional para minimizar la entrada de aire frío de fuera, con un aislante térmico no metálico que minimice la conducción de la temperatura exterior hacia el conducto. El registro debe colocarse en el aislante térmico, en el lado del aire frío. El aislante se debe instalar tan cerca como sea posible de la parte donde el conducto entra en la parte caliente de la casa.

AIRE DE RECAMBIO: El código de construcción local puede exigir que se use un sistema de aire de recambio cuando se usa un sistema de ventilación con conductos cuya cantidad de pi^3/min de aire es superior a lo indicado. La cantidad de pi^3/min indicada varía de un código a otro. Corresponden al dueño y al instalador determinar si se deben aplicar requisitos o normas adicionales a la instalación específica.

Por razones de seguridad, el conducto debe extraer directamente el aire hacia el exterior (y no en el ático, bajo la casa, en el garaje o en un espacio cerrado). El aparato no se puede usar con un sistema de recuperación de aire.

Thermador recomienda que la longitud total no exceda 50 pi (15,24 m).

NOTA: Se venden cables de conexión para ventilador a distancia (EXTNCB25W) de 25 pies si se quiere conectar la campana a un ventilador a más de 25 pies de distancia (adquirido por separado). NO utilice más de un cable de conexión para cada instalación.

Instale el conducto más corto y recto que pueda. Los codos y las juntas reducen la eficacia de la circulación de aire. El uso de dos codos en forma de S o más, da malos resultados y no es recomendable.




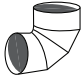
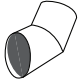
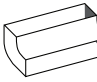
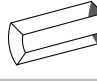

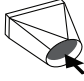

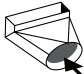
El uso de un conducto corto y recto en el lugar donde se instala un ventilador a distancia da mejores resultados.

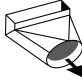
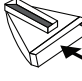
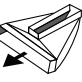
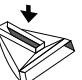
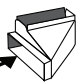


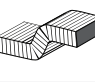
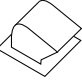
Las campanas se venden con una junta circular de 10 pulg. (254 mm). Deben de comprarse juntas si son de dimensiones distintas.

No se puede usar con un aparato de recirculación de aire.

Utilice la tabla "Longitud Total Equivalente Del Conducto Con Los Racores Más Comunes" para calcular la longitud total aceptable del conducto entre la campana y el exterior.

Longitud total equivalente del conducto con los racores más comunes

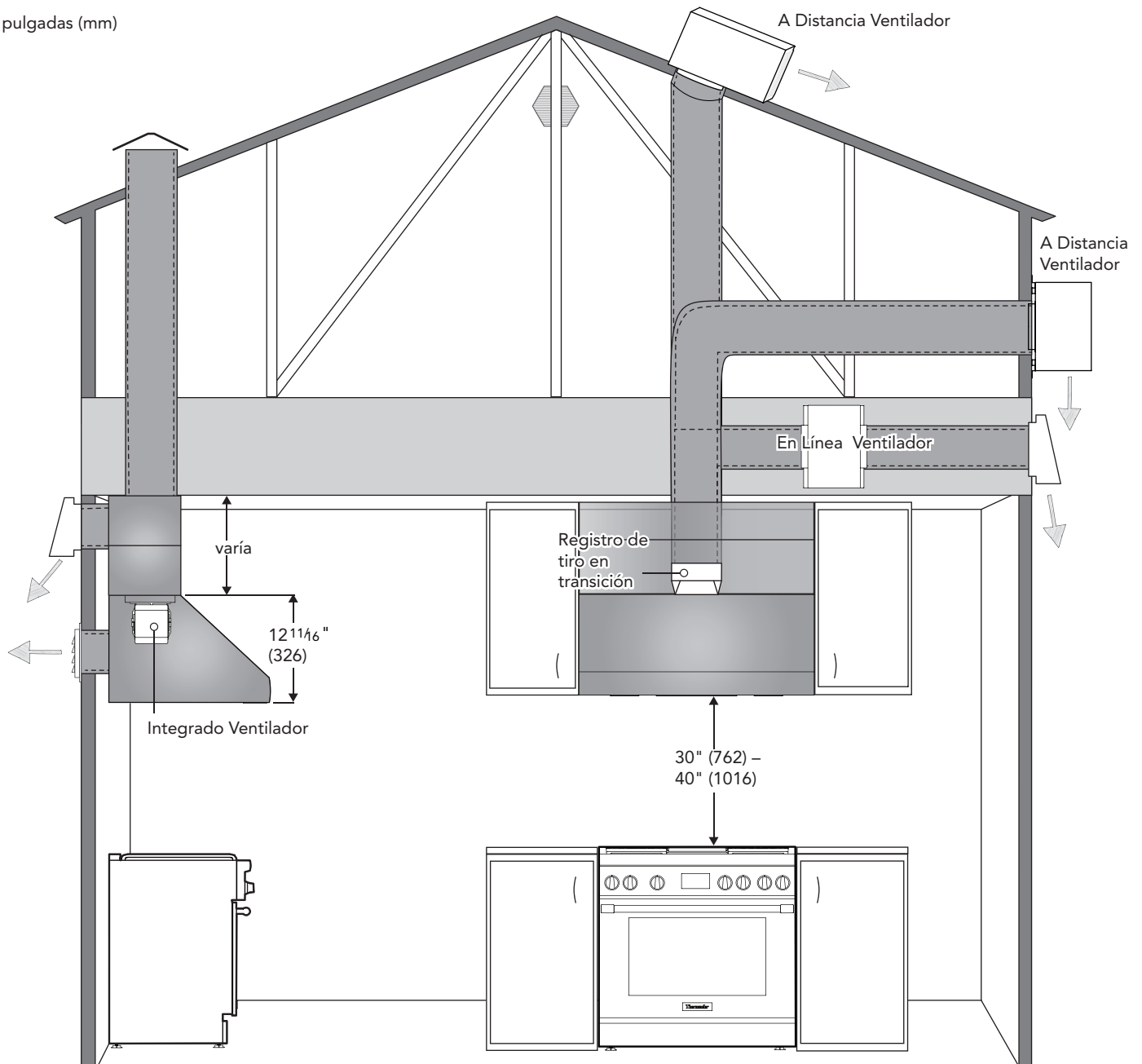
Pieza de conducto	Diámetro de la pieza (pulg.)	Longitud equivalente (pi)
 Liso, recto	6	1.2
	8	0.7
	10	0.6
 3/4 pulg. x 10 pulg. recto	N/D	1
 3/4 pulg. x 14 pulg. recto	N/D	0.7
 Codo circular a 90°	6	12
	8	6
	10	5
 Codo circular a 45°	6	5
	8	3
	10	2
 Codo de 3/4 pulg. x 10 pulg. a 90°	N/D	5
 Codo de 3/4 pulg. x 10 pulg. a 45°	N/D	15
 Codo llano de 3/4 pulg. x 10 pulg.	N/D	20
 Circular a 3/4 pulg. x 10 pulg.	6	1
	8	10
 3/4 pulg. x 10 pulg. a circular	6	5
	8	2
 Circular a codo de 3/4 pulg. x 10 pulg. a 90°	6	10

Pieza de conducto	Diámetro de la pieza (pulg.)	Longitud equivalente (pi)
 3/4 pulg. x 10 pulg. a codo circular a 90°	6	10
 Codo invertido izquierdo a céntrico de 3/4 pulg. x 10 pulg.	N/D	15
 Codo invertido recto a centro de 3/4 pulg. x 10 pulg.	N/D	25
 Codo invertido a izquierda de 3/4 pulg. x 10 pulg.	N/D	15
 Codo invertido a recto de 3/4 pulg. x 10 pulg.	N/D	25
 Salida circular mural	6	2
	8	2
	10	2
 Salida circular de techo	6	2
	8	2
	10	2
 Conducto flexible de 3/4 pulg. x 10 pulg. de 2 pies de long.	N/D	20
 Soporte de fijación y obturador de techo de 3/4 pulg. x 10 pulg.	N/D	2

NOTA: Esas piezas de uso frecuente se venden en ferreterías. Thermador no fabrica todas esas piezas.

Configuraciones de conductos comunes

pulgadas (mm)



NOTA: La figura no representa todas las configuraciones o los métodos de instalación. La imagen se debe usar SOLO como una guía.

Elección de un ventilador adecuado

Sólo use ventiladores Thermador® con las campanas Thermador. Vea la «Guía de Planificación de Ventilación» para saber qué ventiladores se recomiendan. Póngase en contacto con atención al cliente para conocer otras opciones posibles (vea la contraportada del manual para obtener la información de contacto).

IMPORTANTE: Se cancelará la garantía si se corta un conector, un cable del ventilador o el alargador.

La elección de un ventilador depende del volumen que se debe extraer así como de la longitud y de la ubicación del conducto. Para los conductos largos que tienen muchos empalmes y cambios de dirección, se puede usar un ventilador más potente. Para una evacuación eficaz del aire, use un conducto recto con tan pocos codos como sea posible.

Ventiladores integrados

Estos ventiladores se integran a la campana durante la instalación.

Ventiladores a distancia

Según la preferencia y la ubicación del conducto, estos ventiladores se pueden instalar en el techo o en una pared exterior de su casa. La ventaja de una instalación en el exterior es la reducción del ruido en la cocina.

Ventiladores en línea

Para minimizar el ruido en la cocina, estos ventiladores se instalan en el conducto, en algún lugar entre la cocina y la pared exterior. Si el conducto es de fácil acceso (por ejemplo, si pasa por el desván), esta opción puede ser interesante.

25 pies Cable de conexión para soplador

Se venden cables de conexión para ventilador a distancia (EXTNCB25W) de 25 pies si se quiere conectar la campana a un ventilador a más de 25 pies de distancia (adquirido por separado). NO utilice más de un cable de conexión para cada instalación.

Junta de la campana

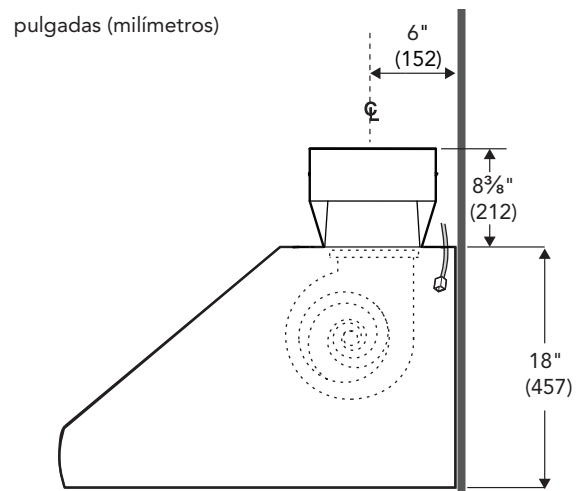
Dirección de descarga

Se puede instalar la campana en una pared o debajo de un armario. Los dos métodos de instalación pueden tener una salida vertical u horizontal.

SALIDA VERTICAL

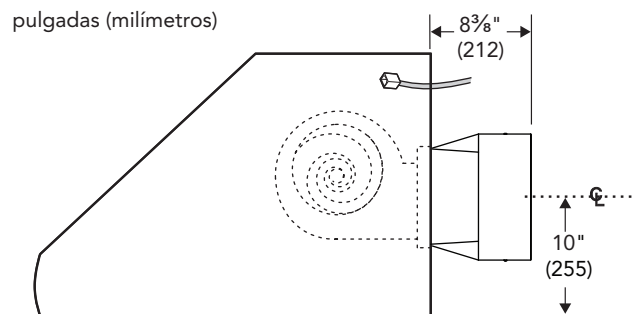
Al expedir la campana, está configurada para una salida vertical.

La transición que se proporciona con el campana se conecta al ducto redondo estándar de 10 pulgadas. La figura muestra la transición conectada para la descarga vertical.

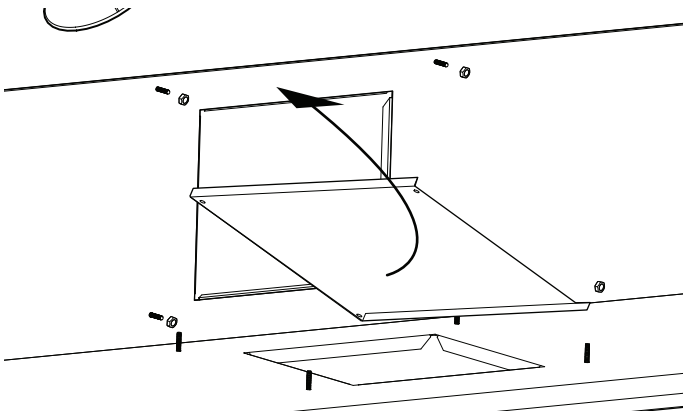


SALIDA HORIZONTAL

La transición que se proporciona con el campana se conecta al ducto redondo estándar de 10 pulgadas. La figura muestra la transición conectada para la descarga horizontal.

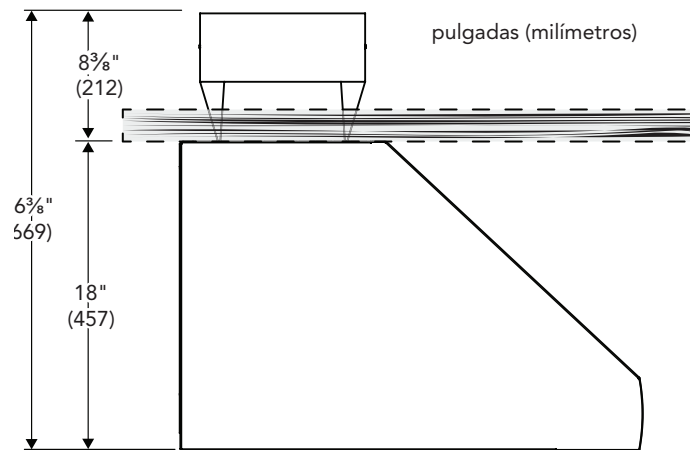


1. Para cambiar a la descarga horizontal, mover la cubierta de la descarga que se muestra en la figura, hacia la parte superior de la campana. La placa se sujeta en su lugar mediante 4 tuercas hexagonales de 3/8".



Ensamblaje del racor

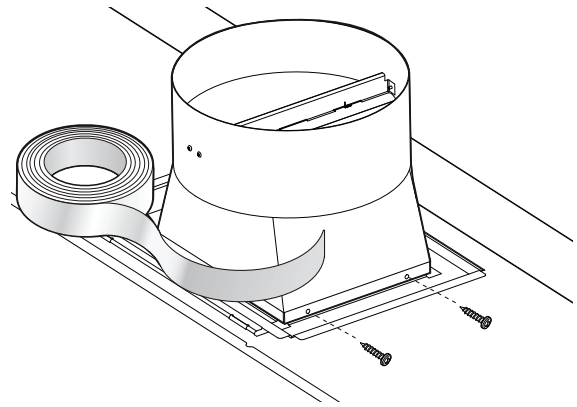
El racor proporcionado se instala en la parte superior o trasera de la campana, según la orientación de la salida.



Se requiere una altura libre mínima de 8-3/8 pulg. (190 mm) encima de la campana para instalar el racor. Vea la "Factores a tener en cuenta para la instalación" en la página 53 para conocer las dimensiones generales de la campana.

2. Alinee los agujeros de montaje del racor con los agujeros de montaje de la brida de 1/2 pulg. (13 mm) situada en la parte superior o trasera de la campana, según la orientación de la salida.
3. Fije el racor a la campana con los dos tornillos para chapa de 1 pulg. (25,4 mm) proporcionados con la campana.

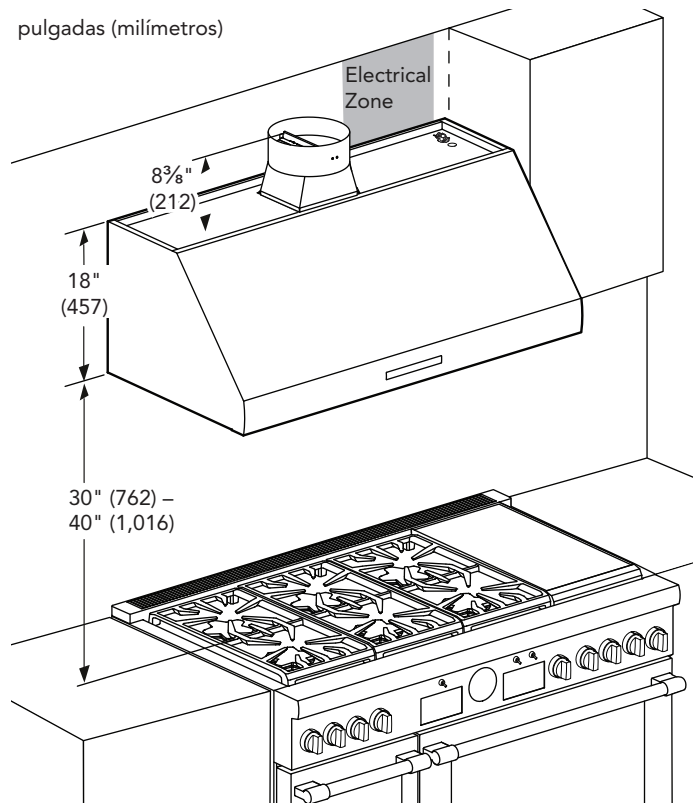
4. Selle la junta entre el racor y la campana con cinta de aluminio (y NO con cinta para conductos). Asegúrese de que la conexión está parcialmente sellada.



5. Quita el trozo de cinta que sujeta el registro en posición cerrada.

Instalación mural

Especificaciones acerca de la instalación



*Siga las recomendaciones del fabricante del aparato.

La figura ilustra una instalación típica de la campana con una cubierta de conducto. Se usan cubiertas de conducto opcionales de 6" o 20" – 54" chimenea telescópica para llenar el espacio libre entre la campana y el techo (vendidas por separado).

La altura de instalación varía entre un mínimo de 30 pulg. (762 mm) y un máximo de 40 pulg. (1016 mm). Sin embargo, hace falta respetar las instrucciones de instalación del fabricante del aparato de cocción en cuanto a la altura adecuada de la campana.

AVISO: El calor puede dañar la campana si varios quemadores de una superficie de cocción o de una estufa de la serie Professional® de Thermador están funcionando y se han instalado altos debajo de una campana instalada a la altura libre mínima.

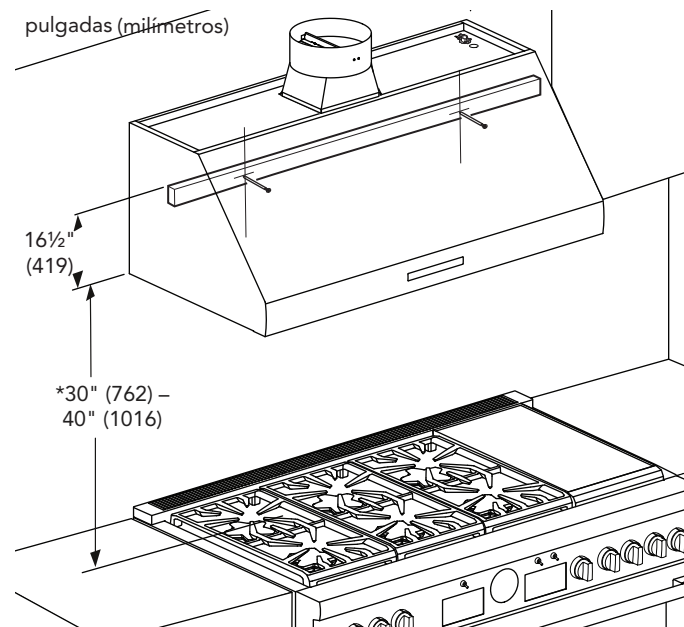
Preparación de la pared trasera

NOTA: Los elementos de fijación proporcionados sirven para instalar el aparato fijándolo a travesaños de madera de un tamaño estándar. Para los otros tipos de instalación, el instalador debe proporcionar los elementos de fijación.

IMPORTANTE: La campana debe estar centrada sobre la placa de cocción para un resultado óptimo.

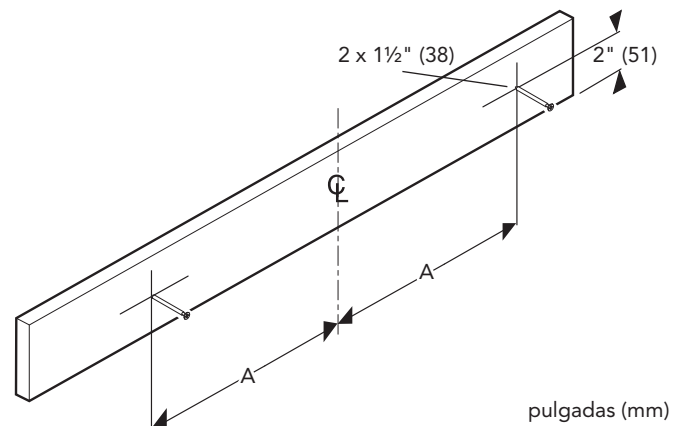
Instalación del soporte de madera

1. Corte de la alimentación en el panel. Bloquee el dispositivo de desconexión para evitar que se vuelva a encender la alimentación eléctrica por error.
2. Una vez determine la altura de instalación de la campana, dibuje una línea horizontal sobre la superficie de la estufa, a una altura que equivalga a 16½ pulg. (419 mm) sobre la altura de instalación recomendada. Esta línea corresponde a la ubicación de montaje del soporte de madera proporcionado con el aparato.



*Siga las recomendaciones del fabricante del aparato.

3. Localice la línea central de la campana. Dibuje una línea vertical a lo largo de esta línea central hasta la línea horizontal de la Etapa 2.
4. Se instala la campana a la pared usando el soporte de madera proporcionado con el aparato. Quite el soporte de madera situado en la parte superior de la campana quitando los dos tornillos de expedición. Dibuje la línea central del soporte de madera.
5. Localice un travesaño de pared a cada lado de la línea central de la campana. Usará estos travesaños para fijar el soporte de madera a la pared.
6. Alinee la parte superior del soporte de madera con la línea horizontal dibujada a la Etapa 2. Alinee las líneas centrales del soporte de madera y de la superficie de la estufa.
7. Haga un agujero guía de 3/16 pulg. (3 mm) a 3 pulg. (76 mm) de profundidad a través del soporte de madera, de la pared y del travesaño.
8. Use dos o tres tornillos de 3 pulg. (76 mm), según el modelo, para fijar el soporte a la pared, como se muestra en la figura. Para sujetar campanas más anchas, use tres travesaños. Taladre la madera para que las cabezas de los tornillos no interfieran con la campana.
9. Sobre el soporte de madera, dibuje los lugares que se usarán para colgar la campana.



Tamaño Campana	A
30" (76 cm)	13" (33 cm)
36" (91 cm)	16" (41 cm)
42" (107 cm)	19" (48 cm)
48" (122 cm)	22" (56 cm)
54" (137 cm)	25" (64 cm)
60" (152 cm)	28" (71 cm)

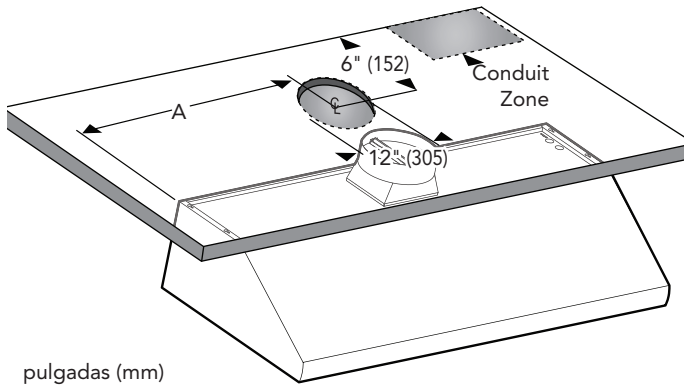
10. Haga un agujero guía de 3/16 pulg. (4,8 mm) a través del soporte de madera y de la pared. Esos tornillos de 5/8 pulg. (16 mm) no tienen que entrar en los travesaños.

11. Use dos tornillos de 5/8 pulg. (16 mm) para fijar el soporte de madera, dejando sobresalir ¼ pulg. (6 mm) de cada tornillo para colgar la campana.

Dirección de descarga

Salida Vertical

Para una salida vertical, se debe hacer una abertura semejante a la ilustrada en la figura en el techo para dejar espacio al racor. Se debe hacer una abertura en el techo, por la que pasarán un conducto de 10 pulg. (254 mm) y un tubo protector de ½ pulg. (13 mm) con los cables que alimentan el aparato.



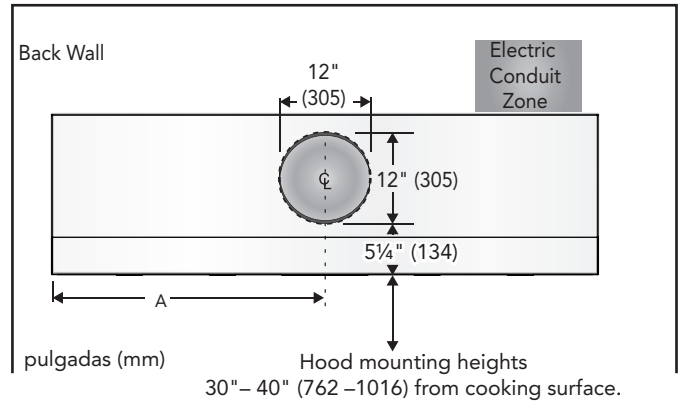
pulgadas (mm)

Tamaño Campana	A
30" (76 cm)	15" (38 cm)
36" (91 cm)	18" (46 cm)
42" (107 cm)	21" (53 cm)
48" (122 cm)	24" (61 cm)
54" (137 cm)	27" (69 cm)
60" (152 cm)	30" (76 cm)

Salida Horizontal

Para una salida horizontal, se debe hacer una abertura semejante a la ilustrada en la figura en la pared para dejar espacio al racor. Se debe hacer una abertura en el techo, por la que pasarán un conducto de 10 pulg. (254 mm) y un

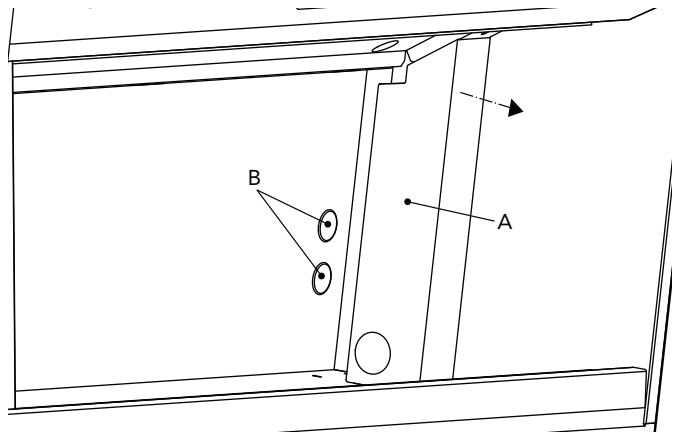
tubo protector de ½ pulg. (13 mm) con los cables que alimentan el aparato.



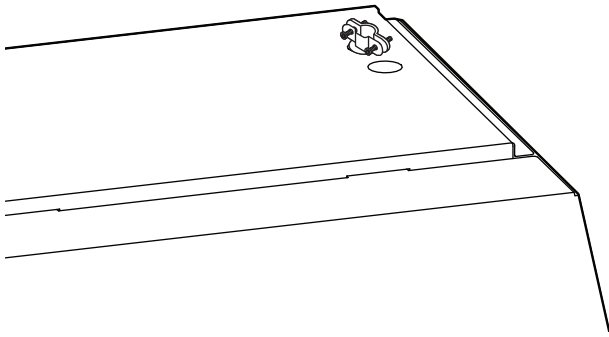
Tamaño Campana	A
30" (76 cm)	15" (38 cm)
36" (91 cm)	18" (46 cm)
42" (107 cm)	21" (53 cm)
48" (122 cm)	24" (61 cm)
54" (137 cm)	27" (69 cm)
60" (152 cm)	30" (76 cm)

Preparación para el encaminamiento del cable

12. Quite la tapa de la caja de conexiones, la que cubre los cables (Figura, "A").
13. Quite las entradas circulares hundidas (Figura, "B").



14. Instale un prensa-cables (no incluido) en una de las entradas hundibles circulares.

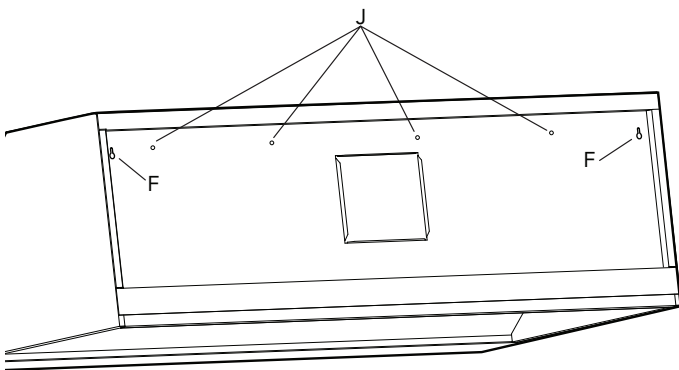


Montaje de la campana en la placa de fijación de madera

15. Antes de colgar la campana, instale el racor, como se muestra en la "Ensamblaje del racor" en la página 60. Fije el racor con dos tornillos para chapas de 3/8 pulg. (proporcionados) y cinta de aluminio, conforme a los códigos vigentes.

NOTA: Los tornillos no deben dificultar el funcionamiento del registro.

16. Con otra persona, levante la campana y déjela descansar en los tornillos insertados en el soporte de madera. Use las muescas en forma de ojo de cerradura identificadas por la letra "F" en la figura. Asegúrese de que el soporte de madera quepa en la parte hundida de la parte trasera de la campana.



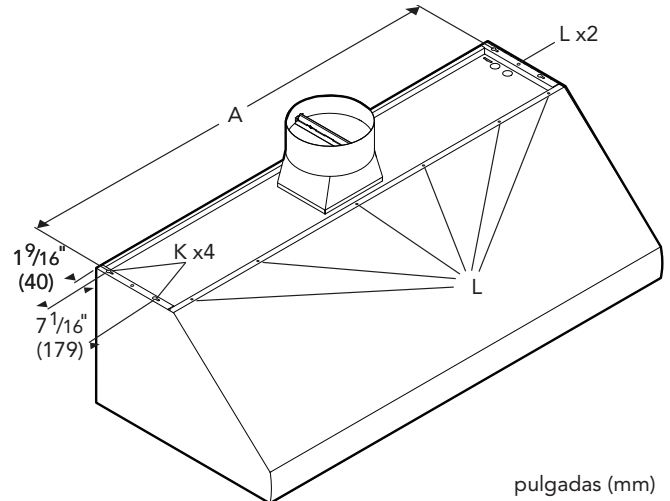
17. Apriete los tornillos en las muescas en forma de ojo de cerradura. Asegúrese de que la campana esté nivelada y ajústela si procede.
18. A partir del interior de la campana, fije tornillos de 5/8 pulg. (16 mm) en el soporte de madera, a través de los agujeros identificados por la letra "J".
19. Instale las piezas de conducto adicionales.

Instalación bajo un armario

Se puede instalar la campana bajo un armario, la cual colgará de su parte superior.

Nota: El armario debe estar estructuralmente fijado a los travesaños de la pared para sostener el peso de la campana.

La figura muestra los cuatro agujeros de tornillo, identificados por la letra "K", que se usan para fijar la campana a la base del armario. Asegúrese de quitar las dos entradas que puedan hundirse.



Tamaño Campana	A
30" (76 cm)	29" (74 cm)
36" (91 cm)	35" (89 cm)
42" (107 cm)	41" (104 cm)
48" (122 cm)	47" (119 cm)
54" (137 cm)	53" (135 cm)
60" (152 cm)	59" (150 cm)

1. En la base del armario, haga agujeros guías de 1/8 pulg. (3 mm), como indican las dimensiones A de la figura.
2. Inserte cuatro tornillos de 1 pulg. (25,4 mm) proporcionado con la campana, dejando sobresalir 1/4 pulg. (6 mm) para colgar la campana.
3. Si la campana se instala con una salida vertical, consulte la "SALIDA VERTICAL" en la página 59 para hacer las aberturas donde pasarán el racor y el tubo protector.
4. Para una salida horizontal, use la "SALIDA HORIZONTAL" en la página 59 para saber la forma de la abertura necesaria para que pase el racor.
5. Cuelgue la campana de los tornillos y fíjela sólidamente en su sitio.

6. Desde el interior de la campana, inserte un tornillo de 5/8 pulg. (16 mm) a través de los agujeros a cada lado de la campana, y cuatro tornillos a lo largo de la parte frontal, en la base del armario. Vea los agujeros identificados por la letra "L".

Instalación del motor del ventilador

Clasificación del ventilador y del disyuntor

Ventilador	Modelo	Tensión (CA)	Corriente ventilador (AMP)	Disyuntor (AMP)
A Distancia	VTR630	120	4,2	15
A Distancia	VTR1030	120	5,7	15
A Distancia	VTR1330	120	8,5	15 / 20
En Línea	VTI610	120	4,2	15
En Línea	VTI1010	120	5,7	15
Integrado	VTN630	120	4,2	15
Integrado	VTN1090	120	5,4	15

9 PRECAUCIÓN

Para reducir los riesgos de incendio y descarga eléctrica, instale esta campana de cocina únicamente con los ventiladores incluidos en la «Guía de Planificación de Ventilación».

NOTA: La garantía o la posibilidad de devolver o cambiar el producto se cancela si se corta el enchufe del ventilador.

Todos los otros modelos de ventiladores se venden por separado. Sólo use ventiladores Thermador con esos ventiladores de aireación. Consulte la «Guía de Planificación de Ventilación», para ver los modelos de ventiladores recomendados. Póngase en contacto con atención al cliente para conocer las otras opciones disponibles.

Todos los modelos de campana están clasificados para 120V de CA instalados con un ventilador listado en la tabla anterior, usando un interruptor de circuito dedicado de 15 amperios. El soplador VTR1330 junto con un PHxxGWS requiere un interruptor automático de 20 amperios.

La elección de un ventilador varía según el volumen de aire que se debe evacuar y la longitud y recorrido del conducto. Para los conductos largos que tienen muchos empalmes y cambios de dirección, se puede usar un ventilador más potente. Para una evacuación eficaz del

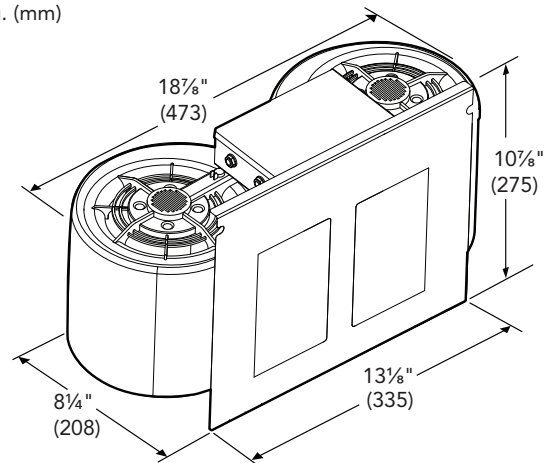
aire, utilice un conducto recto con la mínima cantidad de codos posible (vea la sección «Preparación del conducto de aireación»).

Para la instalación de un sólo ventilador integrado

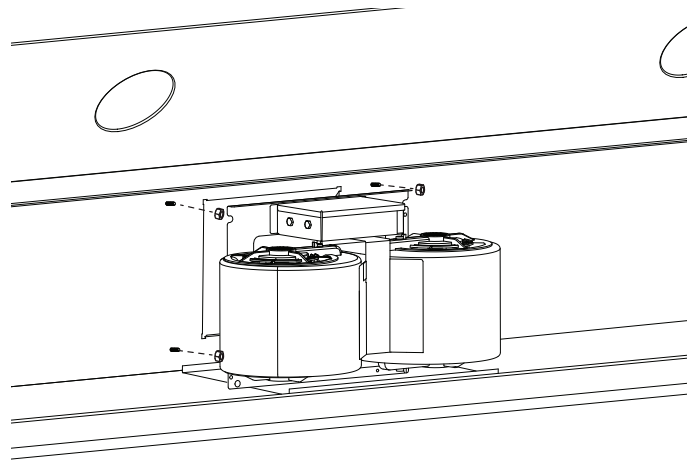
Los modelos de ventiladores integrados se integran a la campana durante la instalación.

Para obtener instrucciones de instalación completas, consulte las instrucciones proporcionadas con el ventilador.

pulg. (mm)

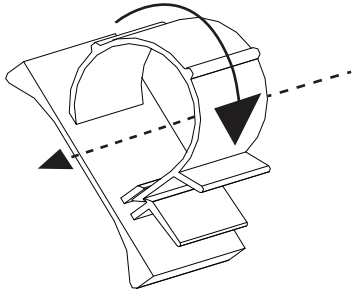


1. El ventilador está sujetado a la campana mediante las dos varillas soldadas de la placa de montaje. Alinee la placa de montaje del ventilador con las varillas.
2. Ajuste las cuatro (4) tuercas (proporcionadas con la campana). Apriete las tuercas para sujetar el ventilador a la campana.



3. Quite la tapa de la caja de conexiones, la que cubre los cables.
4. Quite las entradas circulares hundidas.

5. Pasar el conector del motor del ventilador hacia la campana extractora. Conectar el arnés del ventilador al arnés de la campana extractora.
6. Pasar el arnés del ventilador a través del clip autobloqueante.

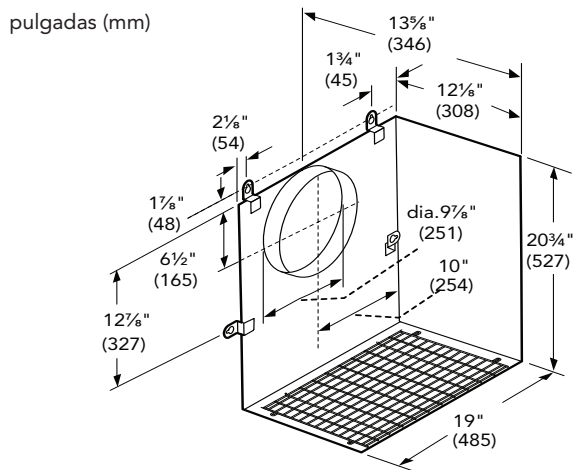


Cableado de la campana con un ventilador a distancia o un ventilador en línea

Para obtener instrucciones de instalación completas, consultar las instrucciones suministradas con la unidad del ventilador.

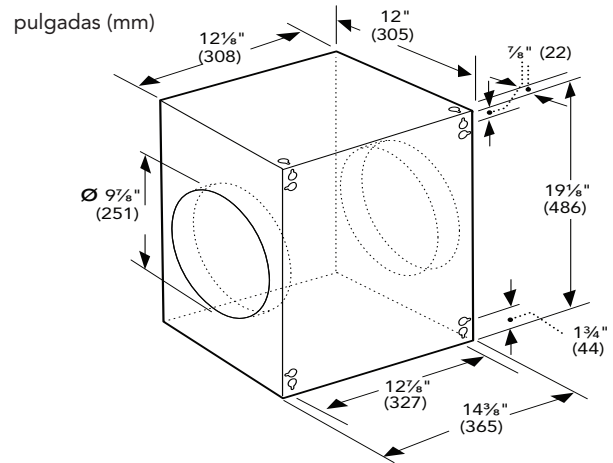
Ventilador A Distancia

Según la preferencia y la ubicación del conducto, estos ventiladores se pueden montar sobre el techo o a una pared exterior de la casa. Puede ser más atrayente instalarlo fuera para reducir el ruido en la cocina.

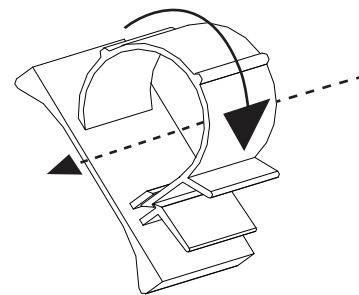


Ventilador en línea

Para minimizar el ruido en la cocina, estos ventiladores están montados a lo largo del conducto, en cualquier sitio entre el techo y la pared exterior. Si el conducto es fácil de acceder (en el ático, por ejemplo), esta opción puede ser atrayente.



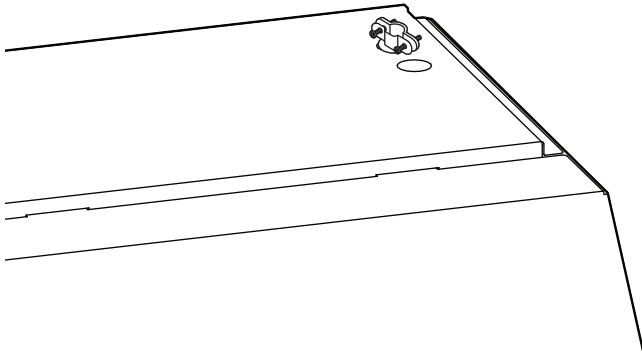
1. Quite la tapa de la caja de conexiones, la que cubre los cables.
2. Quite las entradas circulares hundidas.
3. Pasar el conector del motor del ventilador hacia la campana extractora. Conectar el arnés del ventilador al arnés de la campana extractora.
4. Pasar el arnés del ventilador a través del clip autobloqueante.



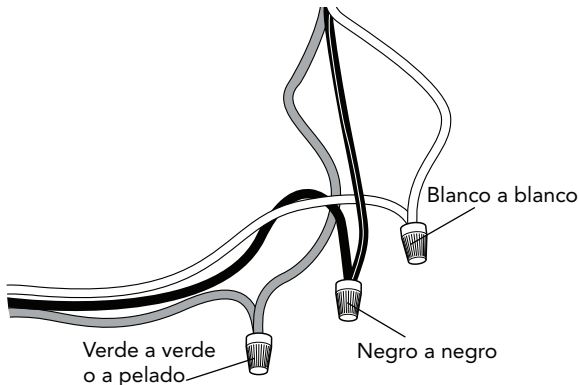
Conexión de los cables

Cableado

1. Pase un cable de alimentación de 120 VCA, 15 amperios, del panel de servicio hasta uno de los agujeros de la placa superior.



2. Conecte el cable negro al cable negro de la alimentación eléctrica, el cable blanco al cable blanco de la alimentación eléctrica y el cable verde al cable verde o pelado.



3. Coloque todos los cables conectados dentro del pasacables de la caja de conexiones. Reinstale la placa de protección. Asegúrese de que los cables estén bien conectados y que ningún cable esté apretado.

Cable de conexión del ventilador EXTNCB25W (opcional)

Piezas Proporcionadas

- 1 – Cable de 25 pies
- 2 – Cables adaptadores (No es necesario para todos los modelos)

Conexión del cable alargador del ventilador

El arnés de ventilador interno debe pasarse a través del orificio y estar fijado con un prensacables de 1 pulg. (25.4 mm). Luego se puede conectar el arnés remoto al arnés del soplador colocado en el exterior del aparato.

NOTA: La garantía del aparato se anula si se corta el conector.

El cable alargador del ventilador es compatible con los ventiladores en línea o a distancia siguientes:

Ventilador	Número de Modelo
Ventilador a distancia	VTR630
Ventilador a distancia	VTR1030
Ventilador a distancia	VTR1330
Ventilador en línea	VTI610
Ventilador en línea	VTI1010

Instalación del mando a distancia a distancia (opcional)

Se aconseja instalar el cableado del mando a distancia una vez instalada la campana.

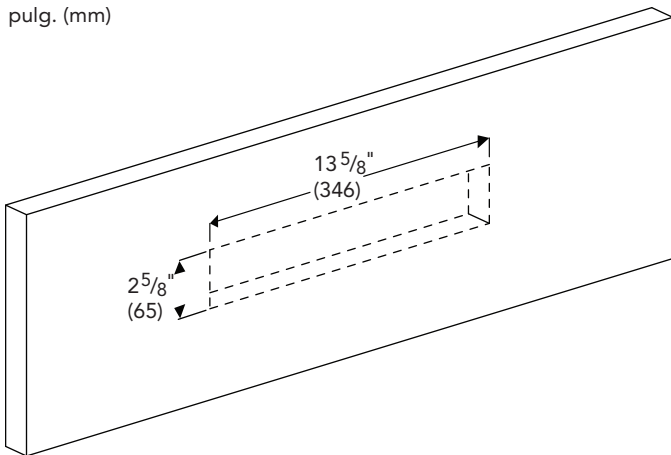
REMCPW Piezas Incluidas

- 1 – mando a distancia
- 1 – cable de extensión de 10 m

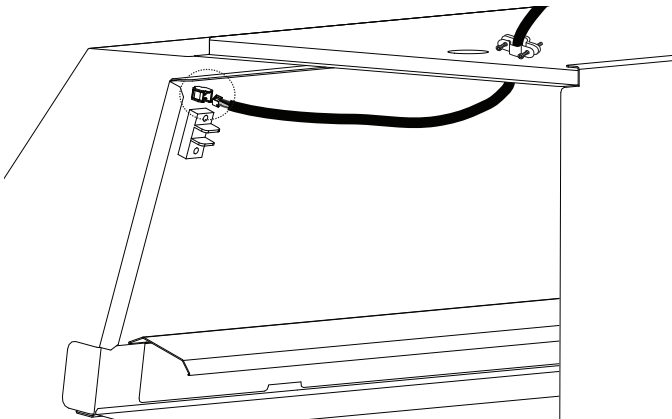
IMPORTANTE: Cortar un conector al aparato o al kit del cable de extensión anulará la garantía.

1. Preparación de la pared para la instalación, como se ilustra (vista frente a la pared).

pulg. (mm)

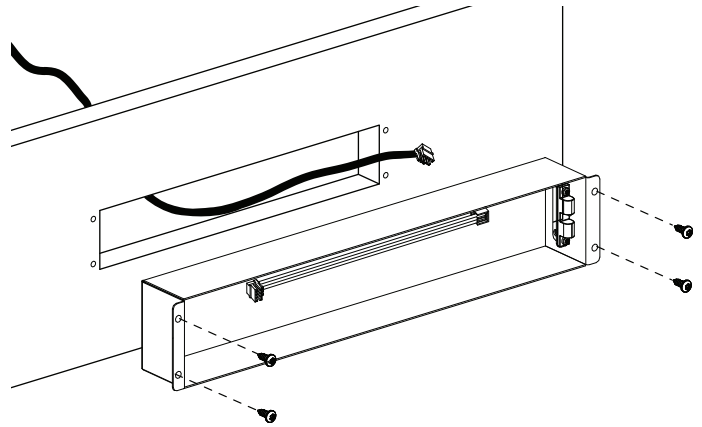


2. Acceso al cableado de la campana extractora. Pasar el arnés de extensión de 30 pies a través de la protección contra jalones al clip de montaje cuadrado, hasta que haga clic.

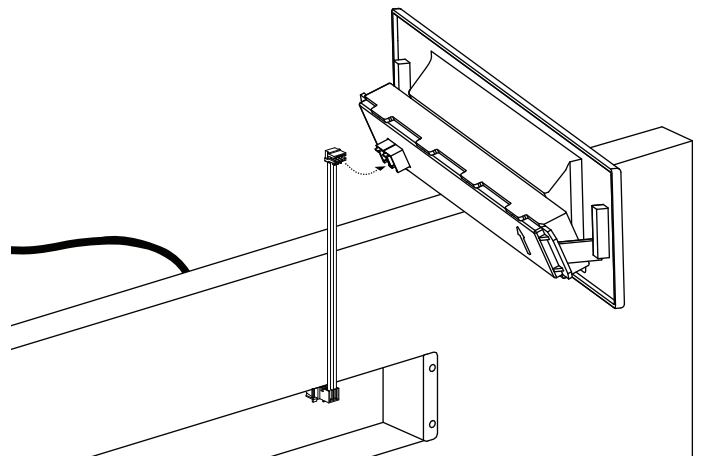


3. Pasar el arnés de extensión de 30 pies a través del agujero y conectar el arnés a la parte posterior de la placa de fijación del control remoto.

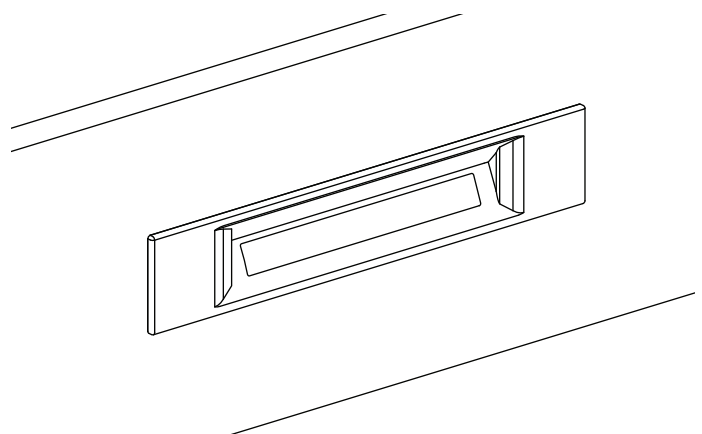
4. Presionar la placa de fijación dentro del agujero. Perforar un agujero roscado de 1/4" (6 mm) a través de los agujeros de la placa de fijación en la pared. Montar la placa de fijación a la pared, usando los cuatro (4) tornillos suministrados.



5. Conectar el conector del arnés de cables dentro de la placa de fijación al terminal en la parte posterior del control remoto. Usar cualquiera de las terminales.



6. Ajustar el control remoto en la placa de fijación hasta que haga clic.

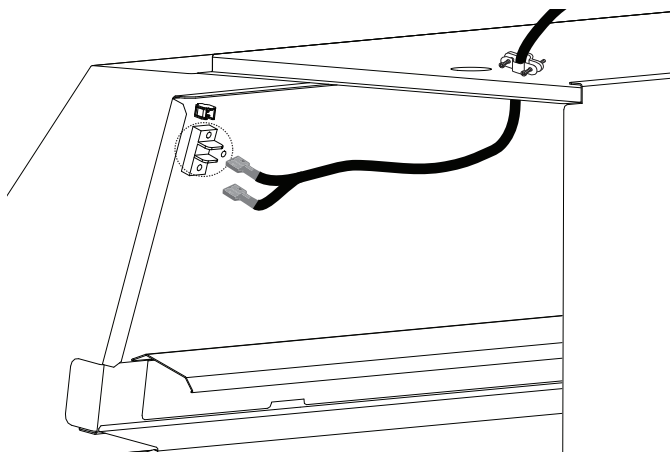


Interruptor de relé de regulador de tiro de aire de compensación (opcional)

Los códigos locales pueden requerir el uso de un regulador de contracorriente adicional y/o regulador de tiro de aire de compensación. Póngase en contacto con su profesional local de HVAC para conocer los requisitos específicos.

Esta campana extractora posee un interruptor de relé para conectar un regulador de aire de compensación (máx. 120 V). Las instalaciones variarán según la ubicación en el hogar donde se instale la unidad y se use el regulador. Usar la siguiente ilustración como guía para la instalación. Cumplir siempre con los requisitos del código local.

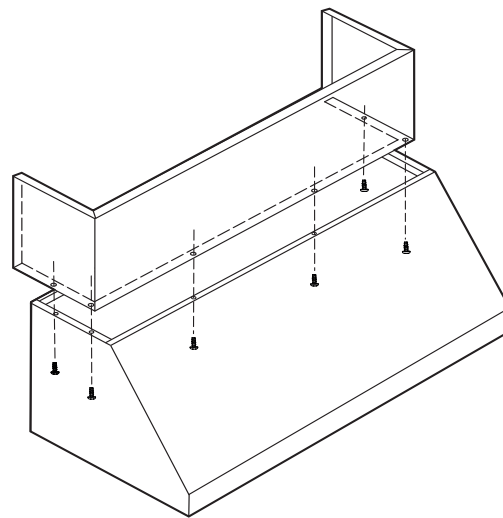
1. Acceso al cableado de la campana extractora.
2. Pasar el arnés del regulador de aire de compensación a través de la protección contra jalones hacia el bloque de terminales.
 - Las conexiones de retorno y en caliente del kit de aire de compensación pueden usar cualquier conexión de terminal. No hay requisito de polaridad para el bloque de terminales de dos pines.



3. Asegurar el cable de tierra con el tornillo de tierra verde T-20.

Instalación de la cubierta para el conducto (opcional)

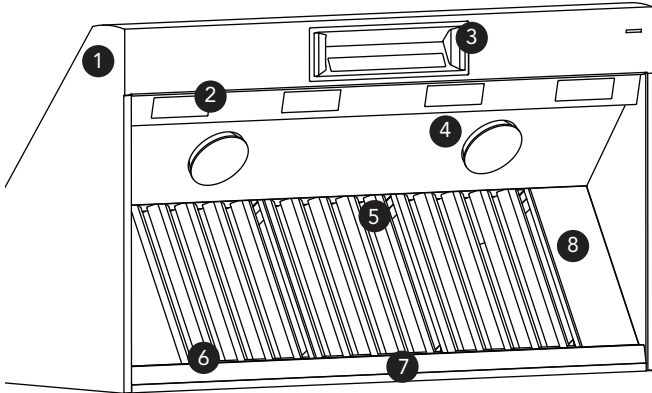
Para las instalaciones murales, se pueden usar cubiertas de conducto opcionales para llenar el espacio libre entre la campana y el techo. Se venden por separado cubiertas de una altura de 6 pulg. (152 mm) y 12 pulg. (305 mm).



1. Si se usan varias cubiertas de conducto, fije las piezas unas a otras con los tornillos para chapa proporcionados con las cubiertas de conducto.
2. Desde el interior de la campana, inserte los tornillos de 5/8 pulg. (16 mm) a través de los agujeros indicados a cada lado de la campana, de la parte frontal, en la base de la cubierta de conducto.

Instalar filtros, bandejas para la grasa y separadores

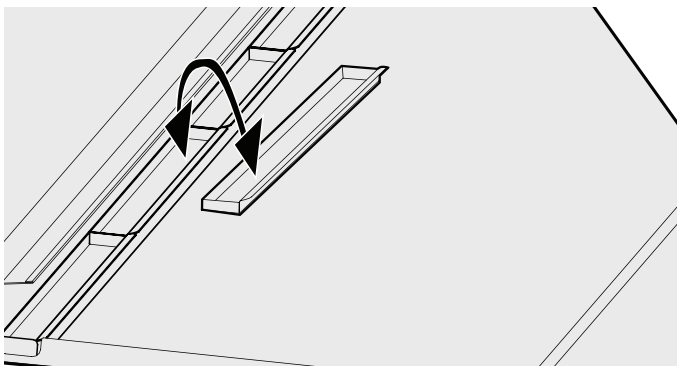
Nota: No utilice la superficie de la estufa cuando la campana no está montada.



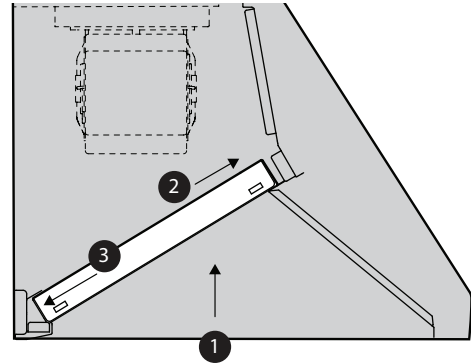
- | | |
|--|---------------------------------------|
| (1) Campana | (2) Iluminación LED |
| (3) Panel táctil | (4) Inflexiones de lámpara |
| (5) Filtros | (6) Bandeja de grasa |
| (7) Ranura de las bandejas para la grasa | (8) Filtro espaciadores para la grasa |

Para instalar los filtros y las bandejas para la grasa:

1. Apagar el electrodoméstico.
2. Quite todo el plástico de las piezas de la campana.
3. Inserte las piezas en el orden siguiente:
 - 1) Bandejas para la grasa – Empuje hacia arriba y por encima del borde trasero.



- 2) Filtros – Deslice el filtro dentro del borde frontal. Empuje el filtro hacia arriba, atrás, luego deslícelo por el borde trasero.

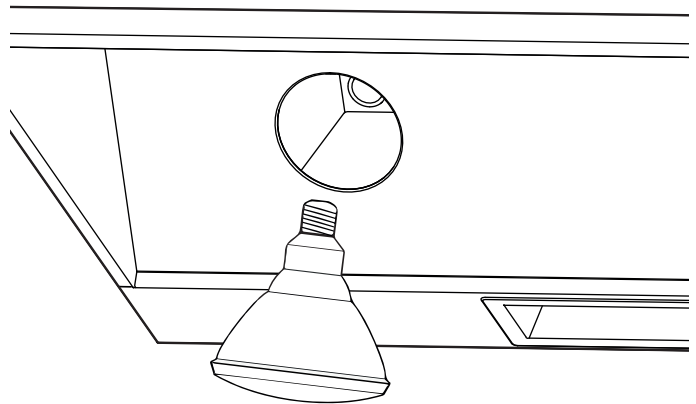


- 3) Panel Lateral – Inserte los panel lateral de la misma forma que los filtros.
4. Siga las indicaciones de arriba al revés para quitar la bandeja para la grasa, los filtros y los paneles laterales.

Reemplazo de las lámparas infrarrojas

- Gire la bombilla en el sentido de las agujas del reloj para instalarla.
- Reemplace la bombilla por una bombilla PAR-38 175W o PAR-40 250W.

Vea el manual de uso y mantenimiento para obtener más información.



Servicio y lista de chequeo del instalador

Lista de chequeo para el instalador

Cheque final

- _____ Se respetan los espacios libres mencionados respecto a la superficie de los armarios.
- _____ El aparato está nivelado.
- _____ No queda material de embalaje en el aparato.
- _____ Toma de tierra adecuada.
- _____ El propietario sabe donde está el disyuntor.
- _____ Escriba el número de modelo y el número de serie de la placa de señalización en el Manual de uso y mantenimiento. Deje el Manual de uso y mantenimiento y el Manual de instalación al propietario del aparato.
- _____ Entregar el folleto de instrucciones de Home Connect™ al propietario del electrodoméstico. Para utilizar todo el potencial de las funciones del electrodoméstico, el propietario debe descargar la aplicación Home Connect™ en su dispositivo inteligente y emparejar el electrodoméstico con el dispositivo Wi-Fi doméstico.

Limpieza y protección de las superficies exteriores

- Se pueden limpiar las superficies de acero inoxidable con un trapo húmedo, jabonoso, y enjuagarlas con agua limpia antes de secar con un trapo suave. Así se evitará la formación de marcas de agua. Cualquier detergente suave para vidrio quitará huellas dactilares y manchas.
- Para decoloraciones o suciedades persistentes, consulte el manual de uso y cuidado.
- Para sacar brillo y proteger el acero inoxidable, aplique un detergente o una cera para acero inoxidable con un trapo suave. Se puede comprar en la tienda en línea el producto para acero inoxidable de Thermador (<http://store.thermador.com/us>). Número de artículo: 00576697.
- **NO** deje que la suciedad permanezca largos períodos de tiempo en las superficies.
- **NO** use fibra metálica normal o cepillos metálicos. Se pueden pegar trozos pequeños de metal a la superficie y oxidarla.

- **NO** permita que tengan contacto prolongado con el acero inoxidable soluciones salinas, desinfectantes, blanqueadores o compuestos de detergentes. Muchos de estos compuestos contienen químicos dañinos. Enjuague con agua después de cada exposición y seque con un trapo limpio.

Antes de solicitar servicio

Resolución de problemas

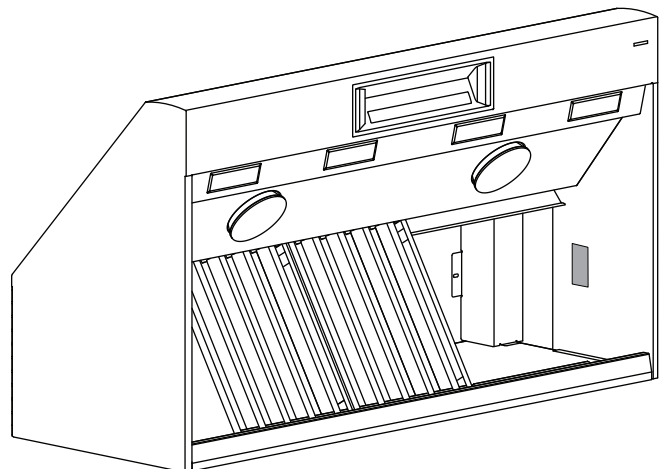
Consulte la sección de problemas y soluciones del manual de uso y mantenimiento. Vea la garantía del manual de uso y mantenimiento. Tenga a mano la información de la placa de señalización de su aparato cuando llame a atención al cliente.

Consulte la información de contacto de la contraportada del manual para ponerse en contacto con un representante de atención al cliente. Tenga a mano la información de la placa de señalización de su aparato cuando llame a atención al cliente.

Placa de señalización del producto

El número de modelo y el número de serie están escritos en la placa técnica. Refiérase a la placa técnica cuando solicite servicio.

La placa se encuentra en el armazón, detrás de los filtros. Quite el filtro para consultarla.



Support

Thank you for being a Thermador customer!

Thermador is dedicated to supporting you and your appliance so you have many years of creative cooking. Please don't hesitate to contact us if you have any questions. We're happy to help you with cleaning and care instructions, cooking tips, accessories, troubleshooting, and more.

USA:

1-800-735-4328

thermador.com/customer-care

Canada:

1-800-735-4328

thermador.ca/support

Accessories and Parts

Filters, Thermador cleaners, Teppanyaki pans, griddles, replacement parts, and more can be purchased in our online accessories store.

USA:

store.thermador.com/us

Canada:

Filters, parts and accessories can be purchased through our distributors.

Marcone: 1-800-287-1627

Reliable Parts: 1-800-663-6060

Soutien

Merci d'être un client Thermador!

Thermador s'engage à offrir tout le support dont vous et votre appareil avez besoin afin que vous puissiez en profiter pleinement. N'hésitez pas à communiquer avec nous pour toute question. Nous serons heureux de vous aider avec des directives concernant le nettoyage et les soins, des conseils de cuisson, des accessoires, le dépannage et plus encore.

É.-U. :

1-800-735-4328

thermador.com/customer-care

Canada :

1-800-735-4328

thermador.ca/support

Accessoires et Pièces

Vous trouverez dans notre magasin d'accessoires en ligne des filtres, des produits nettoyants Thermador, des poêles Teppanyaki, des plaques à frire, des pièces de rechange et plus encore.

É.-U. :

store.thermador.com/us

Canada :

Les filtres, pièces et accessoires peuvent être achetés auprès de nos distributeurs.

Marcone: 1-800-287-1627

Reliable Parts: 1-800-663-6060

Soporte

¡Gracias por ser un cliente Thermador!

Thermador se dedica a apoyarlo a usted y a su aparato para que tenga muchos años para cocinar creativamente. No dude en contactarnos si tuviera preguntas. Nos encantará ayudarlo con las instrucciones de limpieza y cuidado, consejos para cocinar, accesorios, solución de problemas y más.

EEUU:

1-800-735-4328

thermador.com/customer-care

Canadá:

1-800-735-4328

thermador.ca/support

Accesorios y Piezas

Los filtros, limpiadores Thermador, sartenes de Teppanyaki, planchas, piezas de refacción y más se pueden comprar en nuestra tienda de accesorios en línea.

EEUU:

store.thermador.com/us

Canadá:

Los filtros, piezas y accesorios se pueden comprar a través de nuestros distribuidores.

Marcone: 1-800-287-1627

Reliable Parts: 1-800-663-6060

