

INSTALLATION INSTRUCTIONS CARE AND MAINTENANCE



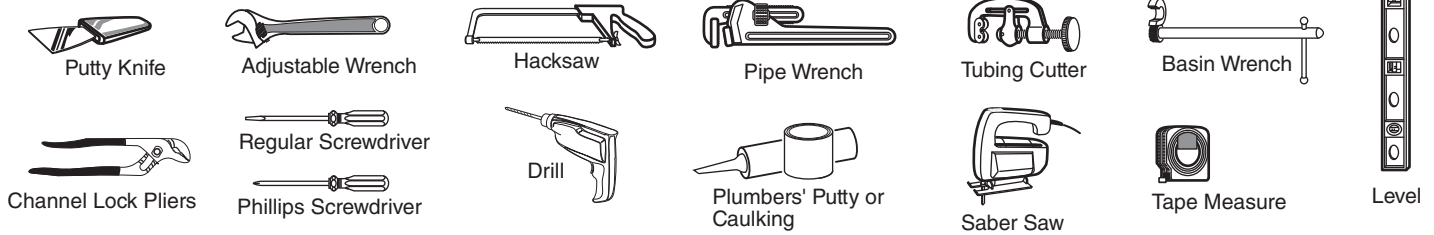
Town Square® S 0297 Series Console / Pedestal

Thank you for selecting American Standard - the benchmark of fine quality for over 100 years. To ensure this product is installed properly, please read these instructions carefully before you begin. (Certain installations may require professional help.) Also be sure your installation conforms to local codes.

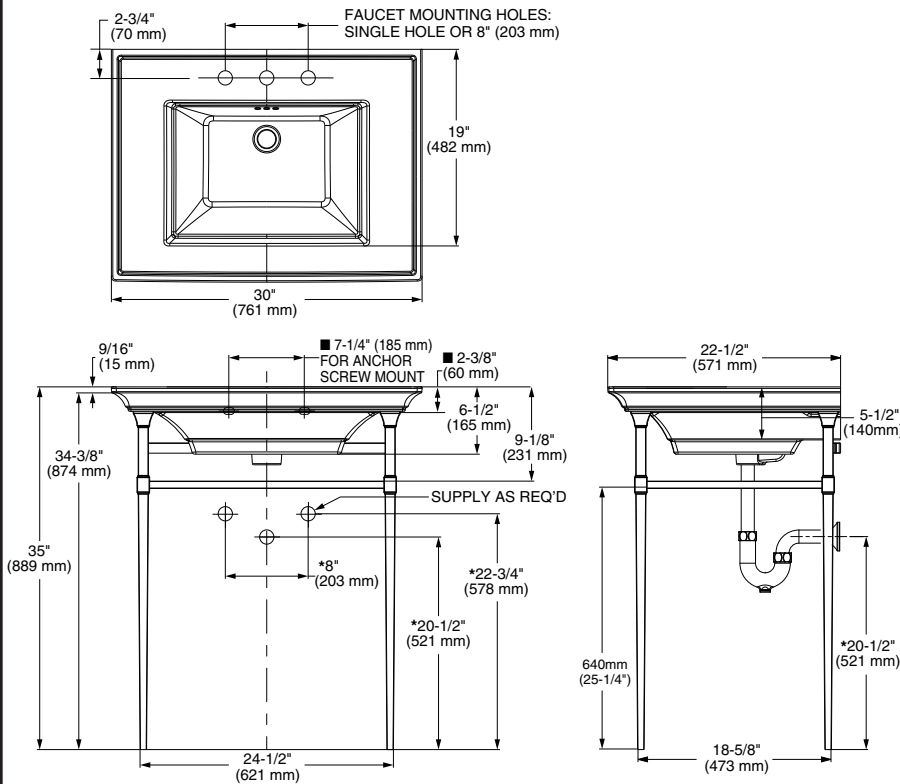
▲ CAUTION: PRODUCT IS FRAGILE. TO AVOID BREAKAGE AND POSSIBLE INJURY HANDLE WITH CARE!
NOTE: Pictures may not exactly define contour of china and components.

OBSERVE LOCAL PLUMBING AND BUILDING CODES

Recommended Tools & Materials

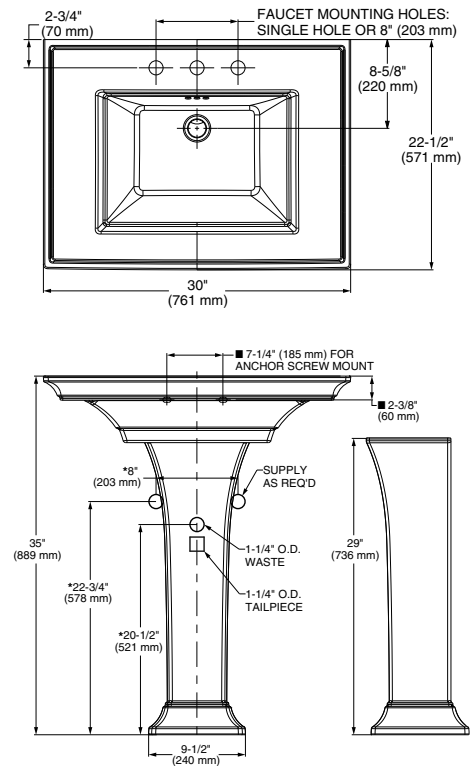


Town Square S Console Lavatory



8721000 Town Square S Console

Town Square S Pedestal Lavatory



0056001 Town Square S Pedestal



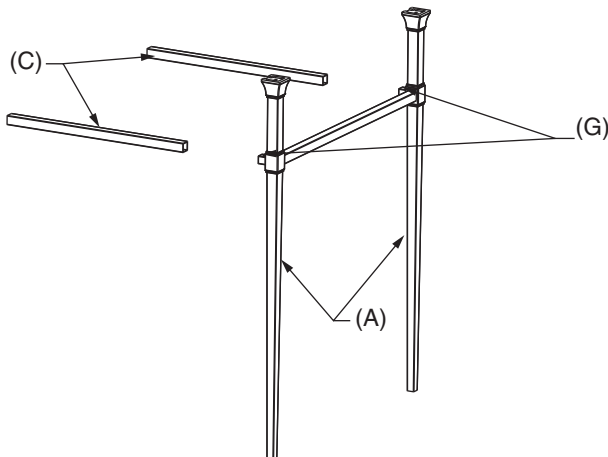
8721 CONSOLE TABLE COMPONENTS LIST

ITEM #	QTY.	DESCRIPTION
A	1	FRONT LEG SUB-ASSEMBLY (WITHOUT HOLES IN LEGS)
B	1	REAR LEG SUB-ASSEMBLY (WITH HOLES IN REAR OF LEGS)
C	2	SIDE SUPPORT TUBES
D	1	REAR WALL MOUNTING BRACKET
E	1	U SHAPED TOP MOUNTING BRACKET
F	4	SILICON SINK MOUNTING PADS
G	4	M6 x 12.0 HEX ALLEN HEAD MACHINE SCREWS
H	4	M6 x 33.1 HEX ALLEN HEAD MACHINE SCREWS
J	2	M6 x 6.3 HEX ALLEN HEAD MACHINE SCREWS
K	4	RUBBER BUMPERS

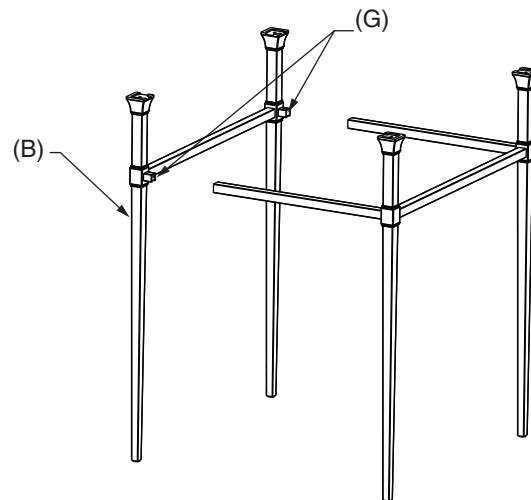


CONSOLE ASSEMBLY

- 1** Take the front preassembled leg sub-assembly (A) (without hole drilled behind leg) and insert one of the side support tubes (C) into the legs protruding mount keeping the support tubes screw hole facing the floor. Repeat for the opposite side and screw both side support tubes with included screws (G).

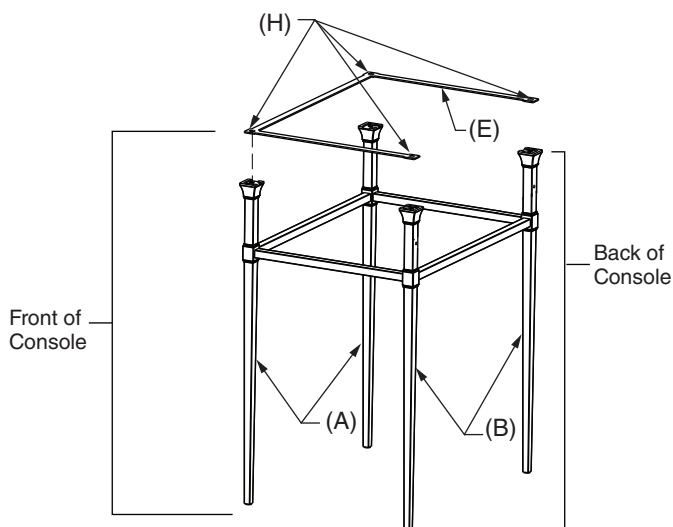


- 2** Attach rear preassembled leg sub-assembly (B) (with hole drilled behind legs) to both side support tubes. Screw both parts together with supplied screws (G).

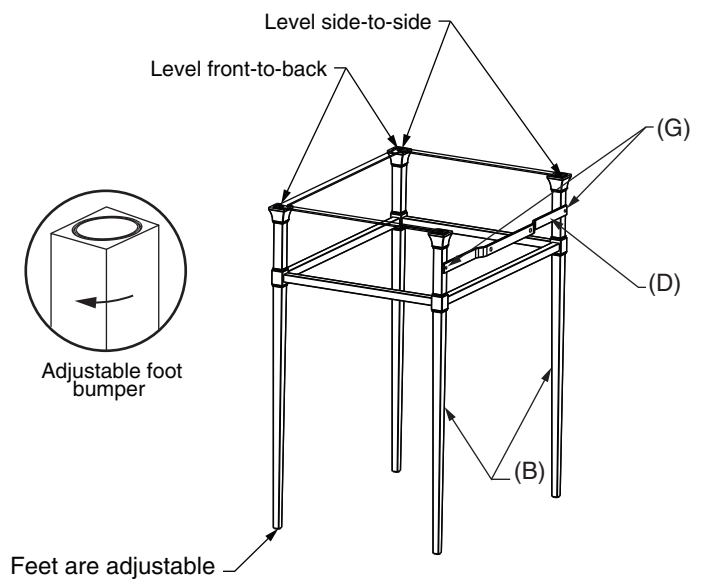


- 3** Take front preassembled console legs (A) (without holes drilled behind legs) and the top U shaped mounting bracket (E) and place bracket over the protruding studs on top of the front and rear console legs (A&B) as illustrated keeping the open end of the bracket to the rear of console.

Note: The screw holes on the top bracket where the screws are placed through are tapered or chamfered on one side of the bracket to properly fit the head of the screw for a flat, flush finish. Use 4 supplied screws (H) to attach bracket to preassembled legs.



- 4** Take rear wall mounting bracket (D) (used to mount console to wall) and attach to rear leg sub-assembly (B) ensuring the bend in the bracket protrudes slightly towards the wall and mount using supplied screws (J).



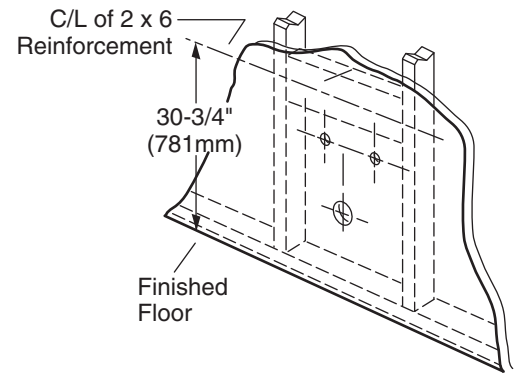
PEDESTAL AND CONSOLE LAVATORY INSTALLATION

1

Wall Preparation for Sink and Pedestal/Console Installation

Provide suitable 2x6 reinforcement behind finished wall for Console or Sink mounting screws.

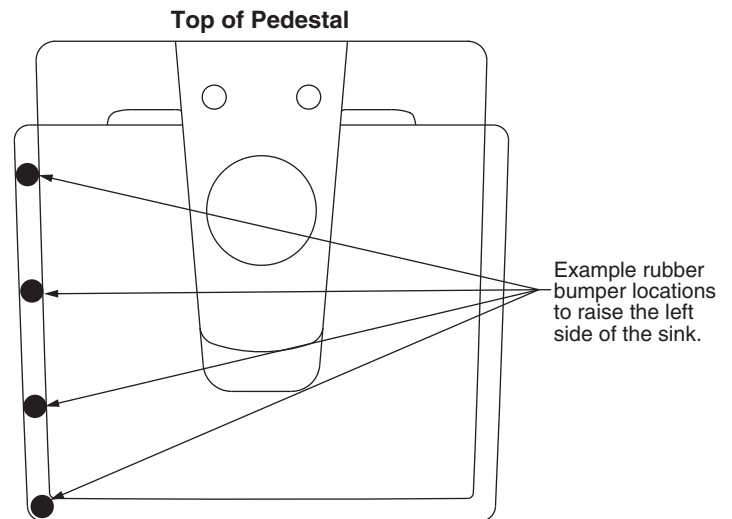
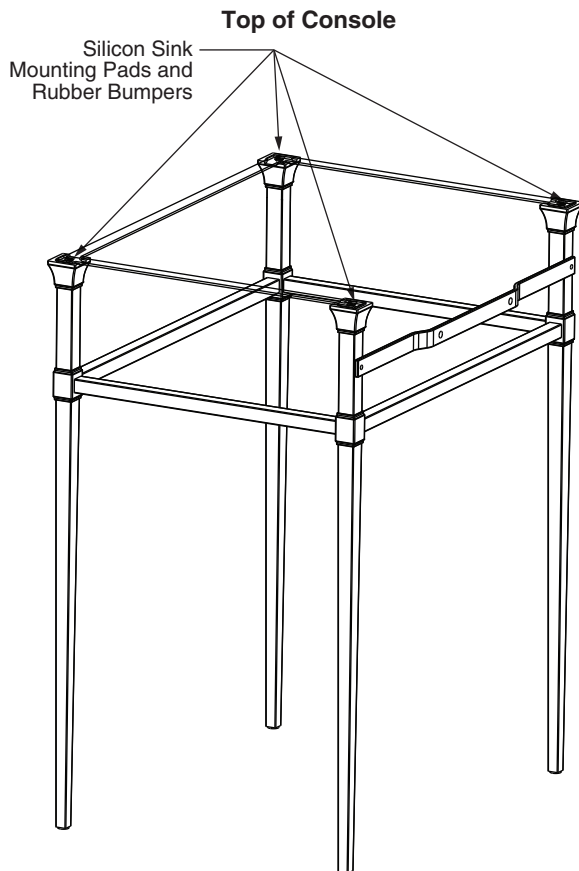
Note: If replacing an existing sink be certain to shut off water supply prior to removing old sink.



2

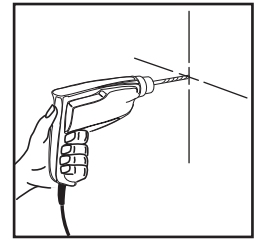
Preparation of Sink and Pedestal/Console

1. Place pedestal/console into approximate position near wall.
2. Place sink on pedestal/console, [**NOTE:** If placing sink on console, use provided square silicone pads and rubber bumpers over each corner] aligning recesses on the underside of the sink to the respective location on pedestal/console.
3. Place a level on the sink and pedestal/console assembly.
4. If leveling sink on the Console, use the adjustable feet on the bottom of each leg.
5. Move sink and pedestal/console assembly into contact with wall.
6. With a pencil, mark through the center of the two mounting holes found on the back of the sink and two additional holes on the back of the console if using the console. (If securing pedestal to floor, mark the center of holes on the bottom of the pedestal.)



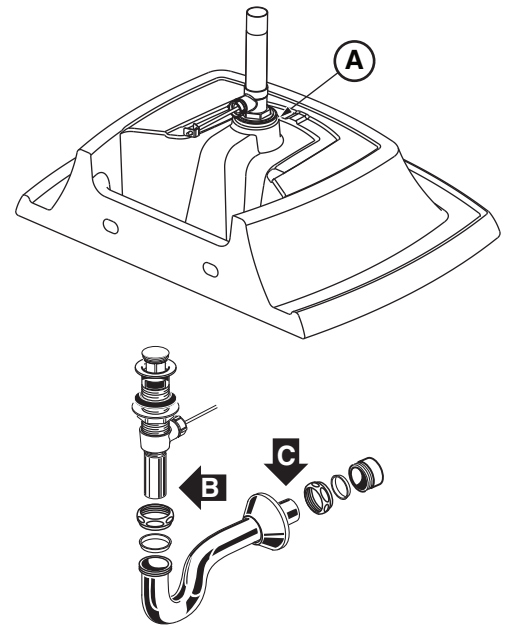
3 Anchor Screw Installation

1. Move the assembly well clear of the wall.
2. Drill two pilot holes at the center marks using a 1/4" drill bit for the sink screws.
3. Drill two additional pilot holes at the center marks below the sink if mounting for the Console.
4. Thread the two headless hanger screws (supplied) into the sink mounting holes leaving 1-7/8" (48 mm) of the threaded end exposed as illustrated. If using console, mount to wall with screws (not supplied).



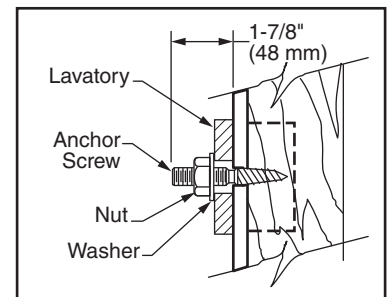
4 Faucet and Drain Installation

1. Following manufacturer's instructions, install faucet and drain assembly (not included).
2. Apply a bead of sealing putty on the underside of the drain (see detail A) in order to ensure a watertight seal between the sink and the drain. Remove excess putty after installing drain on sink.
3. Return the sink assembly to the installed position, guiding the sink over the two headless hanger screws.
4. Connect the trap to drain assembly and hand-tighten to check alignment. It may be necessary to cut off part of the tailpiece (see detail B) or part of the horizontal leg of the trap (see detail C).



5 Sink and Pedestal/Console Installation

1. Secure sink or console to wall, install washers and hand tighten nuts. For console, screw to wall using 1/4" screws (not provided).
2. Connect hot and cold supply lines between the fitting valve and the supply shut-off valves.
3. Tighten trap joints for watertight assembly.
4. Apply a bead of caulk around the back edge of the sink where it contacts the wall.



CONSOLE CARE INSTRUCTIONS: Rinse the product clean with clear water. Dry with a soft cotton flannel cloth.
DO NOT: Clean with soaps, acid, polish, abrasives, harsh cleaners, or a cloth with coarse surface.

AS AMERICA, INC. BATHROOM FURNITURE LIMITED WARRANTY

If inspection of this AS America, Inc. ("American Standard®") plumbing product, within one year after its initial purchase, confirms that it is defective in materials or workmanship, American Standard will repair or, at its option, exchange the product for a similar model. Variations in actual wood color and finishes which may result from natural characteristics of the wood, such as grain patterns, mineral streaks and the like, are not defects and are not covered by this limited warranty.

This limited warranty applies only to the original purchaser and installation of these products. In the event of a claim, proof of purchase will be required – **save sales receipts.**

This limited warranty does not apply to local building code compliance. Since local building codes vary considerably, the purchaser of this product should check with a local building or plumbing contractor to ensure local code compliance before installation.

This limited warranty is void if the product has been moved from its initial place of installation; if it has been subjected to faulty maintenance, abuse, misuse, accident or other damages; if it was not installed in accordance with American Standard's instructions; or if it has been modified in a manner inconsistent with the product as shipped by American Standard.

American Standard's option to repair or exchange the product under this limited warranty does not cover any labor or other costs of removal or installation, nor shall American Standard be responsible for any other incidental or consequential damages attributable to a product defect or to the repair or exchange of a defective product, all of which are expressly excluded from this limited warranty. This limited warranty does not cover any liability for consequential or incidental damages, all of which are hereby expressly disclaimed, or the extension beyond the duration of this limited warranty or any implied limited warranties, including those of merchantability or fitness for an intended purpose. (Some states or provinces do not allow the exclusion or limitation of implied limited warranties, so this exclusion may not apply to you).

This limited warranty gives you specific legal rights. You may have other statutory rights that vary from state to state or province to province, in which case this limited warranty does not affect such statutory rights.

In the United States:

American Standard Brands
1 Centennial Ave.
Piscataway, New Jersey 08854
Attention: Director of Customer Care
For residents of the United States, warranty information may also be obtained by calling the following toll free number: (800) 442-1902
www.americanstandard.com

In Canada:

AS Canada, ULC
5900 Avebury Rd.
Mississauga, Ontario
Canada L5R 3M3
Toll Free: (800) 387-0369
www.americanstandard.ca

In Mexico:

American Standard B&K Mexico
S. de R.L. de C.V.
Via Morelos #330
Col. Santa Clara
Ecatepec 55540 Edo. Mexico
Toll Free: 01-800-839-1200
www.americanstandard.com.mx

AMERICAN STANDARD ONE-YEAR LIMITED WARRANTY

If inspection of this American Standard plumbing product, within one year after its initial purchase, confirms that it is defective in materials or workmanship, American Standard will repair or, at its option, exchange the product for a similar model.

This warranty **does not apply** to local building code compliance. Since local building codes vary considerably, the purchaser of this product should check with a local building or plumbing contractor to insure local code compliance before installation.

This warranty **shall be void** if the product has been moved from its initial place of installation; if it has been subjected to faulty maintenance, abuse, misuse, accident or other damage; if it was not installed in accordance with American Standard's instructions; or if it has been modified in a manner inconsistent with the product as shipped by American Standard.

American Standard's option to repair or exchange the product under this warranty does not cover any labor or other costs of removal or installation, **nor shall American Standard be responsible for any other incidental or consequential damages attributable to a product defect or to the repair or exchange of a defective product, all of which are expressly excluded from this warranty.** (Some states or provinces do not allow the exclusion or limitation of implied warranties, so this exclusion may not apply to you.)

This warranty gives you specific legal rights. You may have other statutory rights that vary from state to state or from province to province, in which case this warranty does not affect such statutory rights.

For service under this warranty, it is suggested that a claim be made through the contractor or dealer from or through whom the product was purchased, or that a service request (including a description of the product model and of the defect) be sent to the following address:

In the United States:

American Standard Brands
1 Centennial Ave.
Piscataway, New Jersey 08854
Attention: Director of Customer Care
For residents of the United States, warranty information may also be obtained by calling the following toll free number: (800) 442-1902
www.americanstandard.com

In Canada:

AS Canada, ULC
5900 Avebury Rd.
Mississauga, Ontario
Canada L5R 3M3
Toll Free: (800) 387-0369
www.americanstandard.ca

In Mexico:

American Standard B&K Mexico
S. de R.L. de C.V.
Via Morelos #330
Col. Santa Clara
Ecatepec 55540 Edo. Mexico
Toll Free: 01-800-839-1200
www.americanstandard.com.mx