

TOWN SQUARE® S PEDESTAL SINK

Pedestal Sink and Leg Combinations:

- 0297800** Faucet holes on 8" (203mm) centers
- 0297100** Center hole only
 - Fine fireclay
 - Classic styled rectangular pedestal lavatory
 - Rear overflow
 - Supplied with mounting kit
 - Right Height® for greater comfort during use
 - Faucet ledge with large deck area (faucet not included)
 - Design coordinates with Town Square® S Fixtures and Faucets
 - Pedestal tops can also be used with Metal Console Table

Nominal Dimensions:

30" x 22-1/2" x 35"
(761 x 571 x 889 mm)

- 0297008** Pedestal top-8" (203mm) centers
- 0297001** Pedestal top-center hole only
- 0056001** Pedestal leg only
- 8721000** Console table
- 7720018** Optional decorative p-trap drain

Bowl size:

17-1/2" (445mm) wide,
12-1/4" (311mm) front to back,
5-1/4" (133mm) deep

Compliance Certifications -

Meets or Exceeds the Following Specifications:

- ASME A112.19.2/CSA B45.1

To Be Specified:

- Color: White Linen
- Console Finish: Chrome Brushed Nickel
- Faucet:*
- Supplies:
- P-Trap: Chrome Brushed Nickel

* See Town Square S faucet section for models available

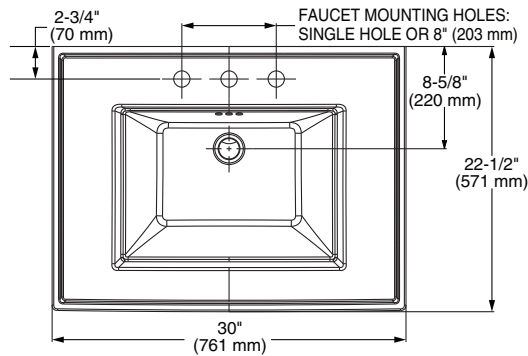


**Town Square S pedestal
combination 0297800**

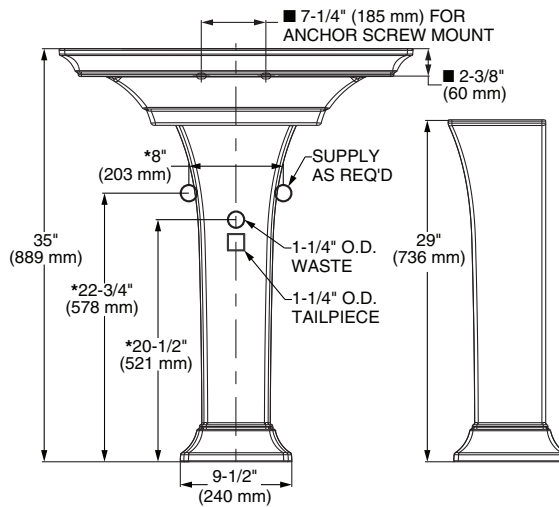


**Town Square S pedestal top
sink 0297008 shown with
8721000 console table**

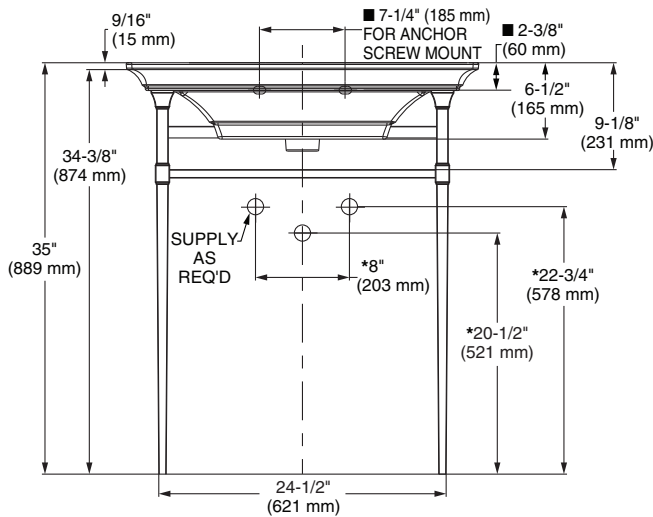
SEE REVERSE FOR ROUGHING-IN DIMENSIONS



PEDESTAL SINK
TOP VIEW



PEDESTAL SINK
WITH LEG



PEDESTAL SINK WITH CONSOLE

NOTES:

* DIMENSIONS SHOWN FOR LOCATION OF SUPPLIES AND "P" TRAPS ARE SUGGESTED.
 ■ SUITABLE FOR REINFORCEMENT ONLY. ACTUAL DIMENSIONS MUST BE TAKEN FROM FIXTURE.
 FITTING NOT INCLUDED AND MUST BE ORDERED SEPARATELY.
 PROVIDE SUITABLE REINFORCEMENT FOR ALL WALL SUPPORTS.
 INSTALLATION INSTRUCTIONS SUPPLIED WITH LAVATORY.

IMPORTANT: Dimensions of fixtures are nominal and may vary within the range of tolerance established by ANSI Standard A112.19.2
 These measurements are subject to change or cancellation. No responsibility is assumed for use of superseded or voided pages.