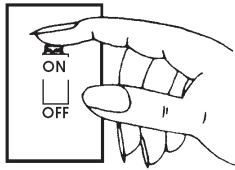


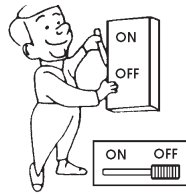
# INSTALLATION INSTRUCTIONS

READ IMPORTANT SAFETY TIPS BEFORE PROCEEDING WITH INSTALLATION

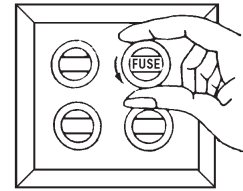
## SAFETY TIPS



Turn fixture off! (Place wall switch in off position, if fixture has built-in switch or chain pull, switch or pull chain so fixture is off.)

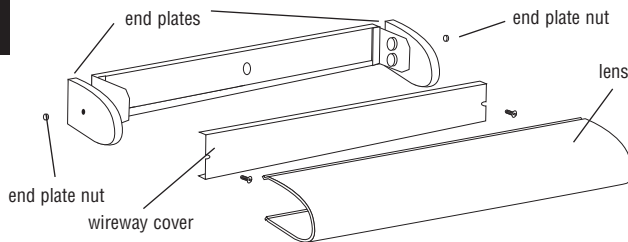


Next - go to the main fuse box. If your fuse box has an ON/OFF switch, simply place main power switch in OFF position.



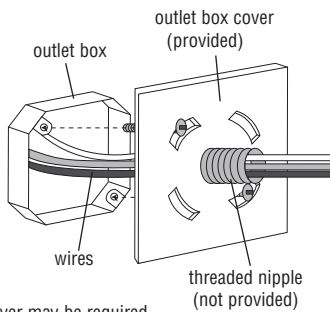
Screw-in type fuses - unscrew the fuse or fuses that control the power to the fixture or room you are working in.

**1**



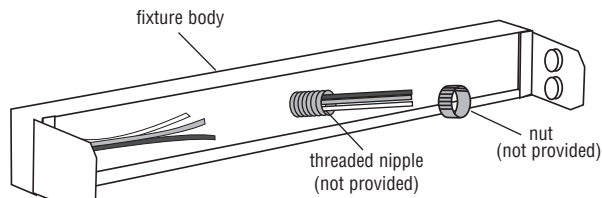
Place fixture on flat surface and remove end plate nuts. Remove both end plates and lens. Remove lamps (not shown) by rotating until pin of lamps is visible at top of sockets (not shown). Remove and discard protective cover. Remove the (2) screws that secure wire cover to fixture channel. Remove wireway cover.

**2**

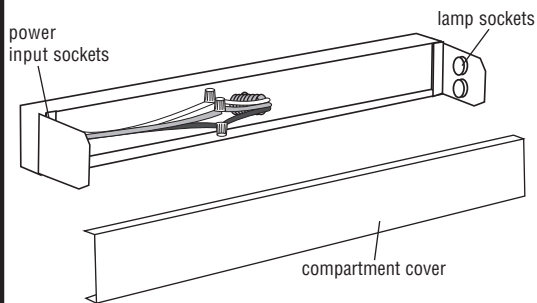


Outlet box cover may be required.

**3**



Select the "knockout" on the back of the fixture channel that matches the location of wall outlet box cover plate, and remove metal to create an opening. Place threaded nipple through knockout hole and level fixture on wall. Secure with nut (not provided). If additional fixture support is desired, install appropriate (select fasteners best suited to your wall substance) wall fasteners through holes in fixture channel (prior to attaching nipple nut). Attach nut (not supplied) to nipple and tighten fixture body in place.



Make all electrical connections at this time. Note: Attach black supply wire to black lampholder wire(s) and white supply wire to white lampholder wire(s). Connect fixture green ground wire to ground wire from outlet box. NEVER CONNECT GROUND WIRE TO BLACK OR WHITE POWER SUPPLY WIRE. Replace wiring compartment cover. End of cover marked AC Input must be on end of fixture that has sockets with leads. Be sure not to pinch leads when installing cover. Install lamps. The lamp sockets on this fixture utilize a rotating lamp pin holder that insures positive lamp positioning. If slots (for lamp insertion) are not in a downward position, rotate with finger to correct position. Simultaneously slip both ends on lamp "up" into sockets and gently rotate 90 degrees into position. Note: End of Lamp marked AC Input must be inserted into socket on end of fixture marked AC Input.

### WIRING DIAGRAM

