



# SIGMAFLANGE™ Universal Joint for Flanged Fittings, Flanged Pipes & Valves

## Materials:

SIGMAFLANGE™ Universal adapter ring and restraint gland are manufactured of high strength ductile iron in accordance with ASTM A536, Grade 65-45-12.

Mechanical joint gasket and O-ring gasket are manufactured of styrene butadiene rubber (SBR) per ANSI/AWWA C111/A21.11.

Coating: NSF61 approved Electro-deposition undercoating and Black Alkyd enamel top-coating on adapter ring. Black Alkyd enamel top-coating on restraint gland, using electro-deposition undercoating and Blue Alkyd enamel for the wedge segments and break-off top actuating bolts.

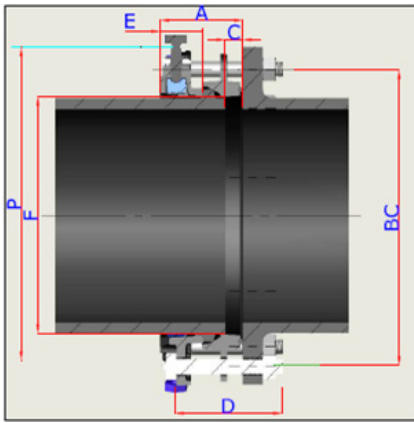
Hex bolts & nuts are manufactured of carbon steel as per ASTM A 307 and zinc-plated in conformance with ANSI/AWWA C111/A21.11

## Pressure Rating & Approvals:

- Rated to a working pressure equal to the pressure rating of the pipe
- Safety factor of 2:1
- Underwriter Laboratories Listed on sizes 3" – 12" for use on Ductile Iron & Steel pipe – 350 psi
- Factory Mutual Approved on sizes 3" with IPS PVC Pipe and 4" – 12" on C900 PVC pipe  
DR 18 – 200 psi (4" – 12")  
DR 14 – 250 psi (4",6"), 200 psi (8",10",12")

Size	Ductile Iron Pipe	Steel Pipe	PVC Pipe - C900 - CI OD				PVC Pipe - IPS OD		
			DR14	DR18	DR25	DR32.5	SDR17	SDR21	SDR26
3	350 psi	350 psi	----	----	----		250 psi	200 psi	160 psi
4	350 psi	350 psi	305 psi	235 psi	165 psi		250 psi	200 psi	160 psi
6	350 psi	350 psi	305 psi	235 psi	165 psi		250 psi	200 psi	160 psi
8	350 psi	350 psi	305 psi	235 psi	165 psi		250 psi	200 psi	160 psi
10	350 psi	350 psi	305 psi	235 psi	165 psi		250 psi	200 psi	160 psi
12	350 psi	350 psi	305 psi	235 psi	165 psi		250 psi	200 psi	160 psi
14	350 psi	----	305 psi	235 psi	165 psi	125 psi	----	----	----
16	350 psi	----	305 psi	235 psi	165 psi	125 psi	----	----	----
18	300 psi	----	----	235 psi	165 psi	125 psi	----	----	----
20	250 psi	----	----	235 psi	165 psi	125 psi	----	----	----
24	200 psi	----	----	235 psi	165 psi	125 psi	----	----	----
30	200 psi	----	----	235 psi	165 psi	125 psi	----	----	----
36	175 psi	----	----	235 psi	165 psi	125 psi	----	----	----





**Dimensional Chart:**

Size	Part #	Weight (Lbs)	Dimension							Hardware - Hex Bolts	
			A	BC	C	D	E	F	P	Qty	Size
3	SFUP3	13	4.10"	6.00"	0.70"	5.00"	2.37"	4.06"	8.88"	4	5/8 x 5 1/2
4	SFUP4	19	4.45"	7.50"	0.70"	5.50"	2.43"	4.90"	9.59"	8	5/8 x 5 1/2
6	SFUP6	28	4.68"	9.50"	0.80"	6.00"	2.45"	7.00"	11.69"	8	3/4 x 6
8	SFUP8	37	4.76"	11.75"	0.90"	6.00"	2.52"	9.15"	13.84"	8	3/4 x 6
10	SFUP10	58	4.77"	14.25"	1.00"	6.25"	2.52"	11.20"	16.23"	12	7/8 x 6 1/4
12	SFUP12	66	4.88"	17.00"	1.00"	6.25"	2.52"	13.30"	18.33"	12	7/8 x 6 1/4
14	SFUP14	80	5.15"	18.75"	1.30"	7.50"	2.53"	15.44"	20.58"	12	1 x 7 1/2
16	SFUP16	109	5.52"	21.25"	1.30"	7.50"	2.67"	17.54"	22.41"	16	1 x 7 1/2
18	SFUP18	124	5.52"	22.75"	1.30"	8.50"	2.96"	19.64"	24.70"	16	1 1/8 x 8 1/2
20	SFUP20	160	5.43"	25.00"	1.30"	8.50"	2.89"	21.74"	27.10"	20	1 1/8 x 8 1/2
24	SFUP24	209	5.41"	29.50"	1.30"	9.00"	2.95"	25.94"	31.26"	20	1 1/4 x 9
30	SFUP30	402	7.4"	36.00"	2.00"	11.00"	3.60"	32.00"	38.8"	28	1 1/4 x 11
36	SFUP36	583	7.14"	42.75"	2.00"	11.5"	3.60"	38.3"	46.6"	32	1 1/2 x 11 1/2

**SIGMAFLANGE™ Universal Joint Pack - Weight**

Item #	Description	Adapter Ring			Restraint			Hex Bolts		Gasket		SFUP
		Qty	Item #	Wgt (lbs)	Qty	Item #	Wgt (lbs)	Qty	Wgt (lbs)	Item #	Qty	Wgt (lbs)
SFUP3	3 SIGMA Flg Unv JT Pack	1	SAR3	2	1	SLGU3	10	4	2.4	MGS3	1	14
SFUP4	4 SIGMA Flg Unv JT Pac	1	SAR4	4	1	SLGU4	10	8	5	MGS4	1	19
SFUP6	6 SIGMA Flg Unv JT Pac	1	SAR6	6	1	SLGU6	16	8	6.4	MGS6	1	28
SFUP8	8 SIGMA Flg Unv JT Pac	1	SAR8	10	1	SLGU8	21	8	6.4	MGS8	1	37
SFUP10	10 SIGMA Flg Unv JT Pack	1	SAR10	14	1	SLGU10	30	12	14.4	MGS10	1	58
SFUP12	12 SIGMA Flg Unv JT Pack	1	SAR12	17	1	SLGU12	34	12	14.4	MGS12	1	67
SFUP14	14 SIGMA Flg Unv JT Pac	1	SAR14	25	1	SLGU14	37	12	18	MGS14	1	80
SFUP16	16 SIGMA Flg Unv JT Pac	1	SAR16	30	1	SLGU16	47	16	32	MGS16	1	109
SFUP18	18 SIGMA Flg Unv JT Pac	1	SAR18	27	1	SLGU18	57	16	40	MGS18	1	124
SFUP20	20 SIGMA Flg Unv JT Pack	1	SAR20	32	1	SLGU20	68	20	60	MGS20	1	160
SFUP24	24 SIGMA Flg Unv JT Pack	1	SAR24	44	1	SLGU24	85	20	80	MGS24	1	209
SFUP30	30 SIGMA Flg Unv JT Pack	1	SAR30	89	1	SLGU30	153	28	135	MGS24	1	375
SFUP36	36 SIGMA Flg Unv JT Pack	1	SAR36	117	1	SLGU36	211	32	250	MGS24	1	577

