



ROTUNDA WIDESPREAD FAUCET

BEFORE YOU BEGIN

We recommend consulting a professional if you are unfamiliar with installing plumbing fixtures. Signature Hardware accepts no liability for any damage to the faucet, plumbing, sink, counter top, or personal injury during installation.

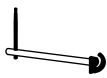
Observe all local plumbing and building codes.

Unpack and inspect the item for damage. If any damage is found, contact our Customer Relations team at 1-866-855-2284.

TOOLS AND MATERIALS:



Plumber's Tape*



Basin Wrench*



Thread Sealant*



Adjustable Wrench*



Hex Wrench



Small Bucket*

*not included

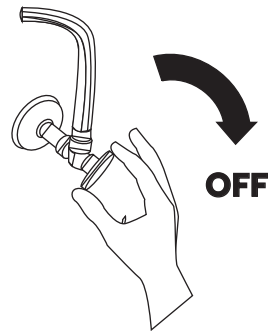
GETTING STARTED

- Ensure that you have gathered all of the required materials that are needed for the installation.
- For these instructions, it is assumed that the old faucet has been completely removed and any necessary repairs or modifications to the water supply have been completed.

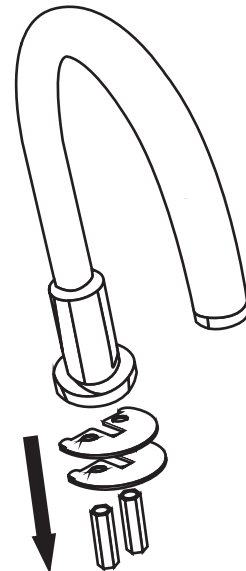
INSTALLATION

1. Ensure that the water supply below your sink is completely shut off by turning the valve all the way to the right.

Tip: Place a small bucket below your workspace to catch any water that may drip during the installation process.



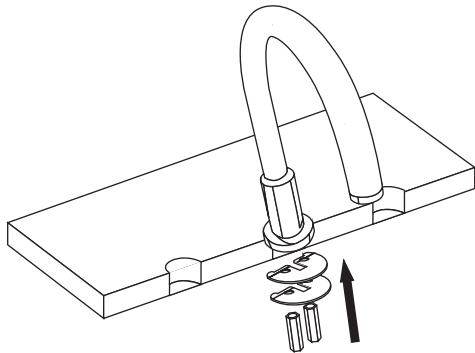
2. Remove the lock nut, metal washer, and rubber gasket from the spout's threaded mounting post.



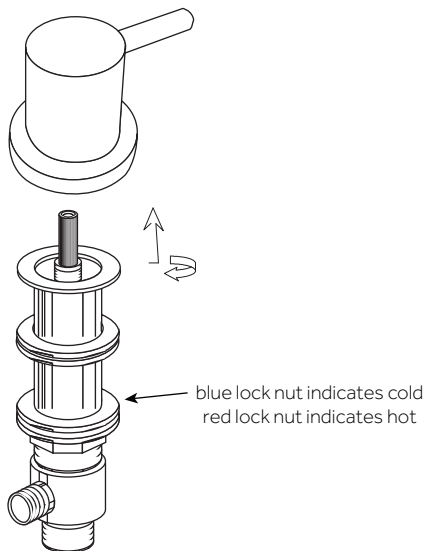


ROTUNDA WIDESPREAD FAUCET

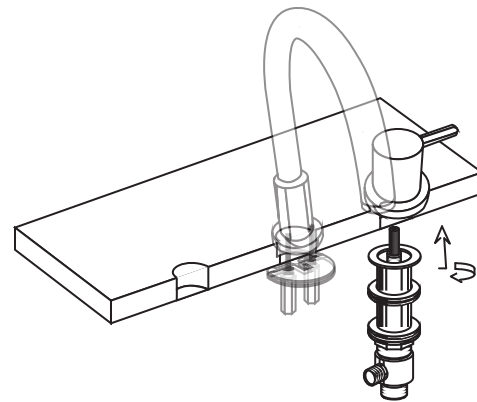
3. Set the spout into the center mounting hole. From beneath the countertop, slide the rubber gasket followed by the metal washer back onto the threaded mounting post. Hand tighten the lock nut, then finish tightening using an adjustable wrench.



4. The faucet's valve stems are labeled – 'H' for hot and 'C' for cold. Remove the handle from the cold valve stem by loosening its set screw with the provided hex wrench. Remove the handle base, upper metal washer, upper rubber gasket, and upper lock nut from the valve stem as well.

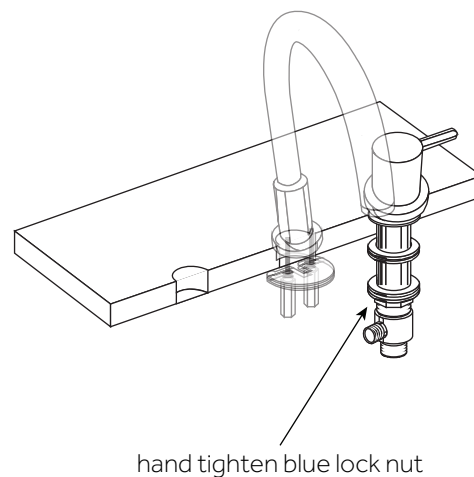


5. From beneath the counter top, insert the valve stem into the right-side faucet hole. From above the counter, slide the upper rubber gasket onto the stem followed by the upper metal washer. Thread the upper lock nut onto the stem until approximately 1/2" of threading is exposed above the lock nut



6. From beneath the counter top, tighten the lower lock nut until hand-tight. Finish tightening using a basin wrench.

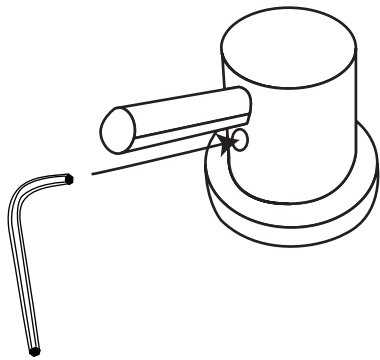
Tip: Hold the stem in place while tightening, so that the outlet on the side of the stem is facing the faucet spout.



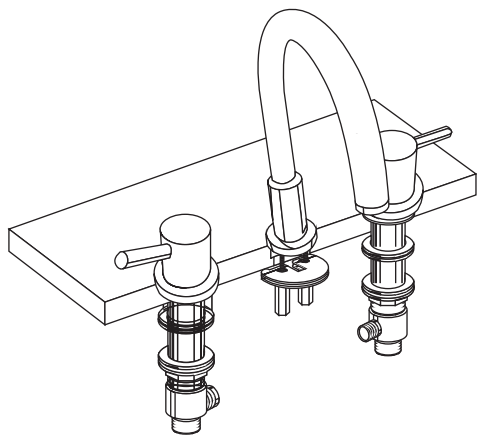


ROTUNDA WIDESPREAD FAUCET

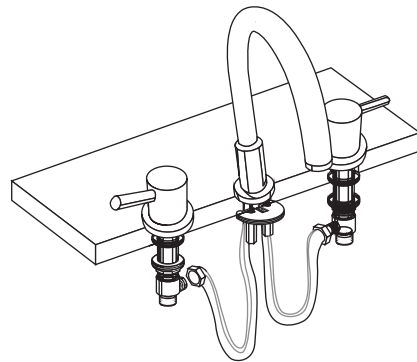
7. Attach the handle by sliding it back onto the valve stem, and tightening the set screw using the provided hex wrench.



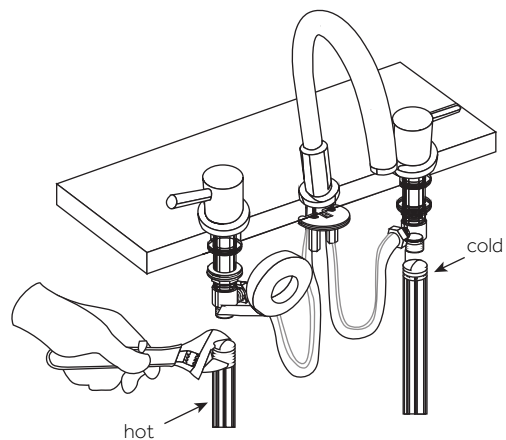
8. Repeat steps 4-7 to install the 'hot' valve stem into the left-side faucet hole.



9. Connect the braided water lines attached to the spout to their proper outlets on the side of each valve stem, as shown. Apply thread sealant or plumber's tape to each threaded connection. Ensure that you are connecting the hot and cold lines appropriately. Use an adjustable wrench to tighten, but be careful not to overtighten.



10. Attach the main water lines to the proper inlet on the bottom of each valve stem. Apply thread sealant or plumber's tape to each threaded connection. Ensure that you are connecting the hot and cold lines appropriately. Use an adjustable wrench to tighten, but be careful not to overtighten.

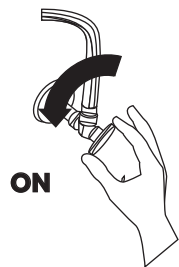




ROTUNDA WIDESPREAD FAUCET

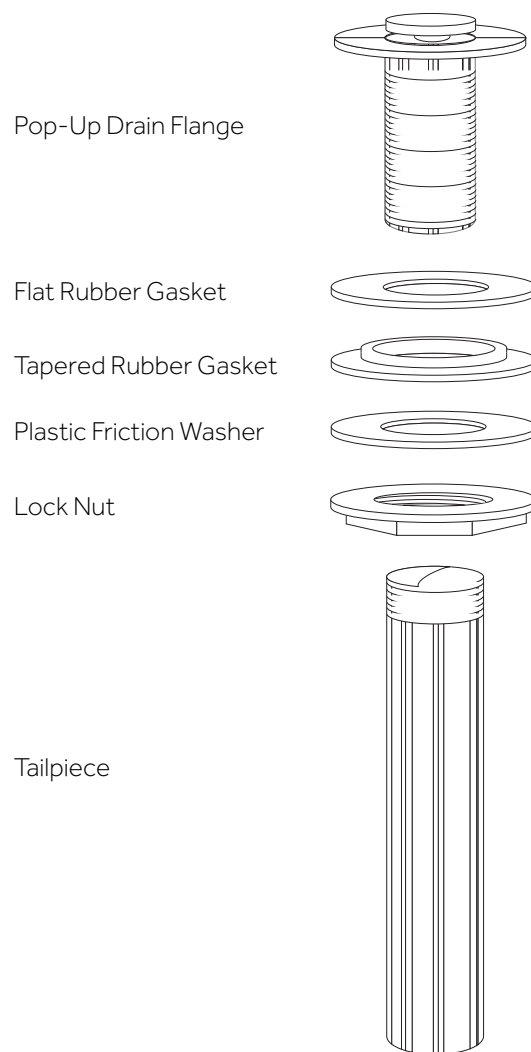
11. Once installation is complete, turn the main water supply back on from below your sink. Check for any leaks underneath.

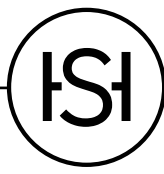
12. Once drain installation is complete, turn the faucet on for approximately 60 seconds to check for any leaks. Test both hot and cold water to ensure they are running properly.



INSTALLATION

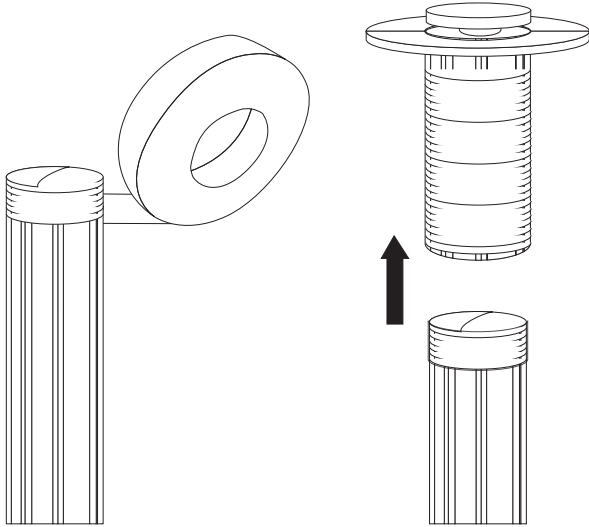
1. Dissassemble the drain assembly and lay the parts aside, in the same order they were removed. See the illustration below as a reference if needed.



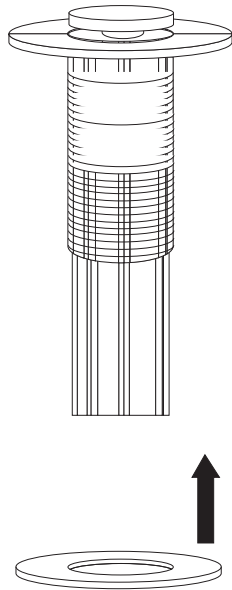


ROTUNDA WIDESPREAD FAUCET

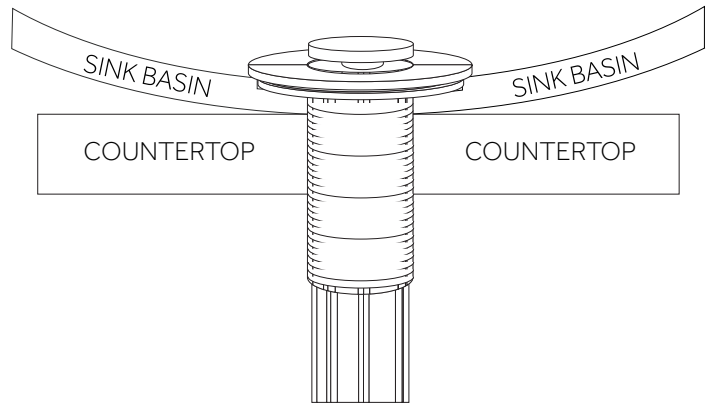
2. Apply plumber's tape to the threading on the tailpiece, then reattach the tail piece to the pop-up drain flange.



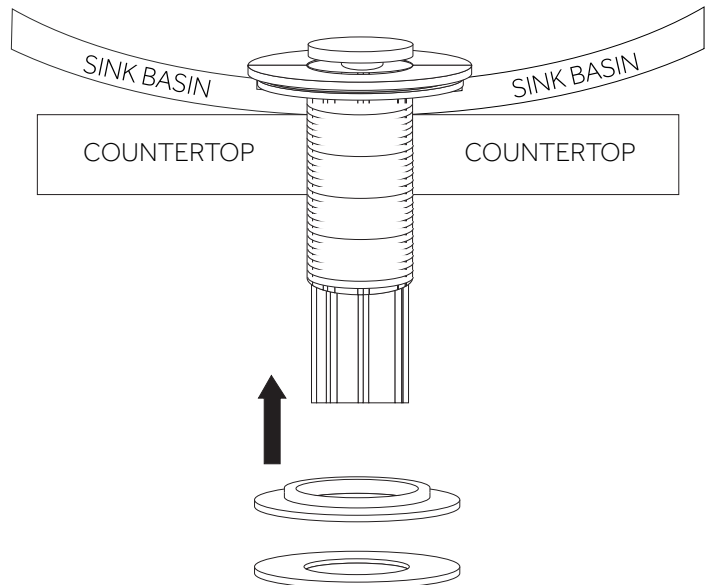
3. Slide the flat rubber gasket up the tailpiece until it meets the lip of the pop-up drain flange.



4. Insert the drain flange and tailpiece through the top of your sink's drain hole.



5. From under your counter, slide the tapered rubber gasket followed by the plastic friction washer onto the tailpiece until they meet your sink or countertop. Be sure that the tapered side of the rubber washer is facing up.





ROTUNDA WIDESPREAD FAUCET

6. Thread the lock nut onto the drain flange. Hand tighten until secure, then finish tightening with a basin wrench once the drain is properly aligned.

Important: Be careful not to overtighten, which could crack a porcelain sink or stone countertop.

