

BALLANTINE

WALL-MOUNT FAUCET

SKU: 911574, 911575

BEFORE YOU BEGIN

We recommend consulting a professional if you are unfamiliar with installing bathroom fixtures and plumbing. Signature Hardware accepts no liability for any damage to the floor, walls, plumbing, or personal injury during installation.

For the following installation instructions for your new Wall-Mount Faucet, it is assumed that any old fixtures have been removed and the water supply lines have been relocated to the proper installation location.

Unpack and inspect the item for damage. If any damage is found, contact our Customer Relations team at 1-866-855-2284.

GETTING STARTED

- Ensure that you have gathered all of the required materials that are needed for the installation.
- Shut off the main water supply where the new faucet is being installed.

TOOLS AND MATERIALS:



Plumber's Tape



Drill



Thread Sealant



Tape Measure



Level



Hex Wrench



Pipe Clamps

For Warranty information, please visit: signaturehardware.com/services/warranty

REVISED 01/18/2021
CODES: 515190, 515191
515192, 515193

BALLANTINE

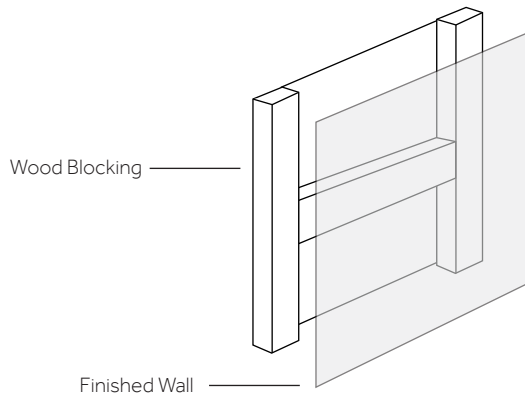
WALL-MOUNT FAUCET

SKU: 911574, 911575

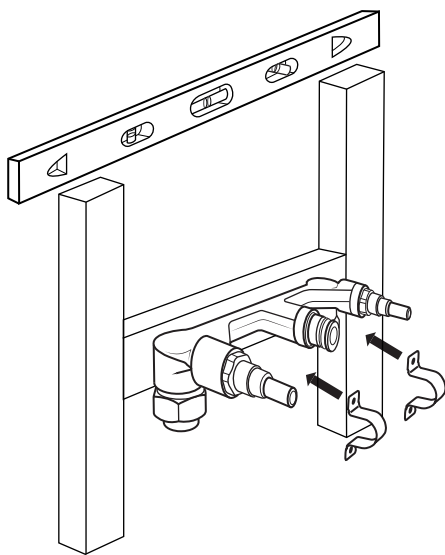
INSTALLATION

1. Prepare for installation by installing wood blocking between the two studs where the faucet will mount.

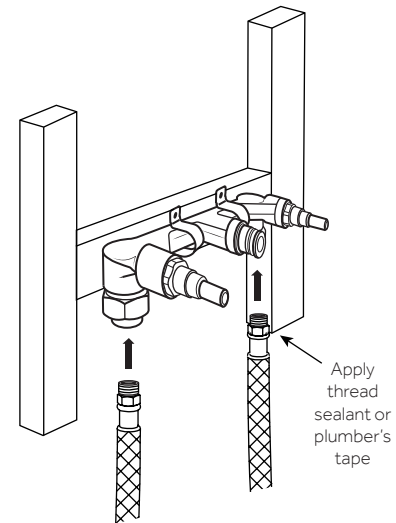
Important: Take into consideration the thickness of your finished wall materials. If your valve is installed too far behind your finished wall, you may be left with insufficient clearance to attach the spout and handles.



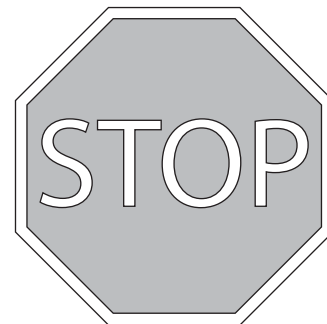
2. Mount the rough-in valve into its prepared location. Attach the valve body to the wood blocking using galvanized pipe clamps. Use a level to ensure that the valve is mounted straight.



3. Attach the main water lines to the valve. Apply thread sealant or plumber's tape to the threaded connection to ensure a watertight seal.



IMPORTANT: COMPLETE THE CONSTRUCTION OF YOUR WALL, INCLUDING ANY FINISHED WALL MATERIALS SUCH AS TILE, BEFORE PROCEEDING WITH THE REMAINDER OF THE INSTALLATION.

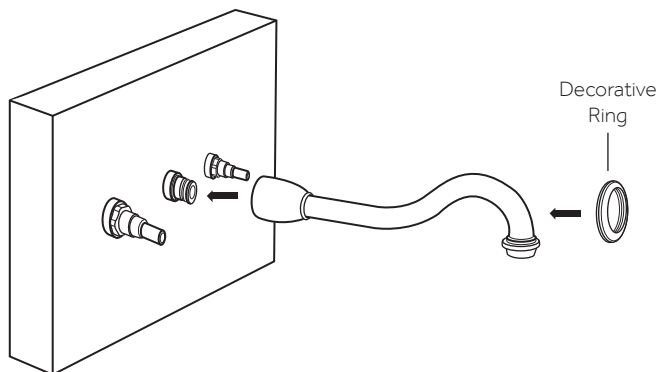


BALLANTINE

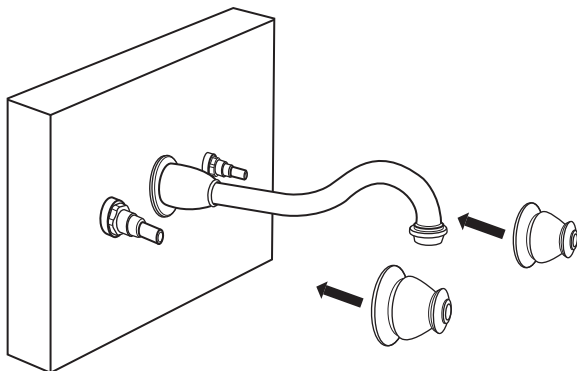
WALL-MOUNT FAUCET

SKU: 911574, 911575

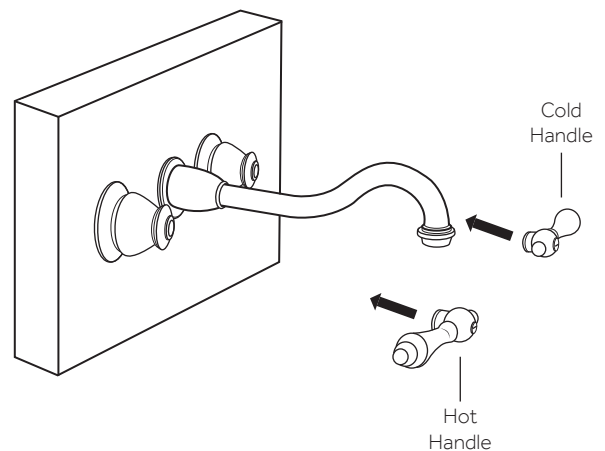
4. Once your finished wall has been completed, slide the decorative ring onto the base of the spout. Attach the spout to the installed valve body. Once in place, tighten the set screw underneath to secure.



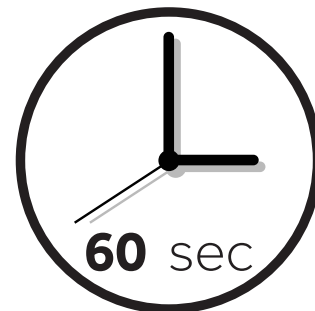
5. Attach the handle escutcheons to the installed valve body. Thread each escutcheon onto each stem until hand-tight. Ensure that the rubber washers remain seated in the escutcheons.



6. Attach the hot and cold handles to the valve stems, as shown. Ensure that the hot handle is on the left, and the cold is on the right.



7. When your installation is complete, turn on the main water supply. Remove the aerator from the spout. Turn the water on to allow any dust or loose sediment to clear the system. Allow the water to flow through the spout for approximately 60 seconds, and verify that hot and cold water are running properly. Reattach the aerator once testing is complete.



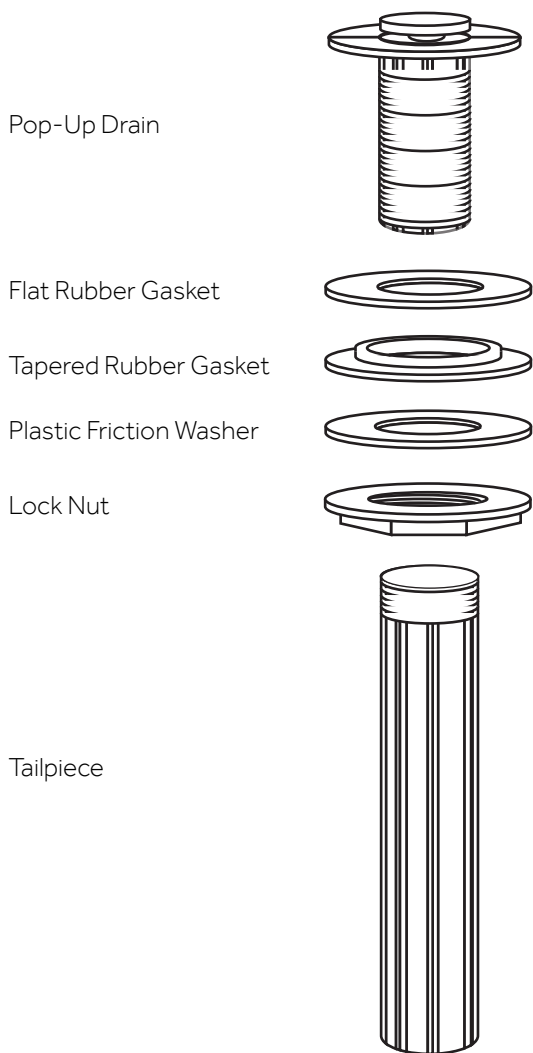
BALLANTINE

WALL-MOUNT FAUCET

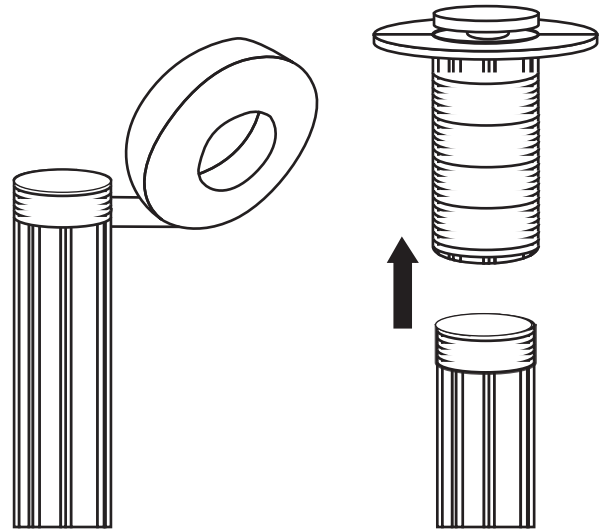
SKU: 911574, 911575

DRAIN INSTALLATION

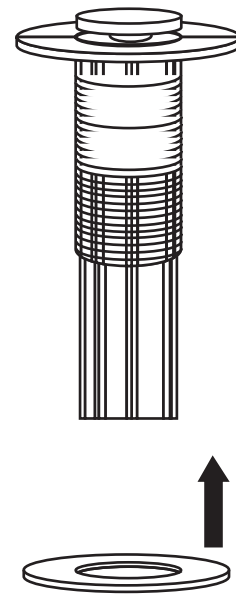
1. Dissassemble the drain assembly and lay the parts aside, in the same order they were removed. See the illustration below as a reference if needed.



2. Apply plumber's tape to the threading on the tailpiece, then reattach the tail piece to the pop-up drain flange.



3. Slide the flat rubber gasket up the tailpiece until it meets the lip of the pop-up drain flange.

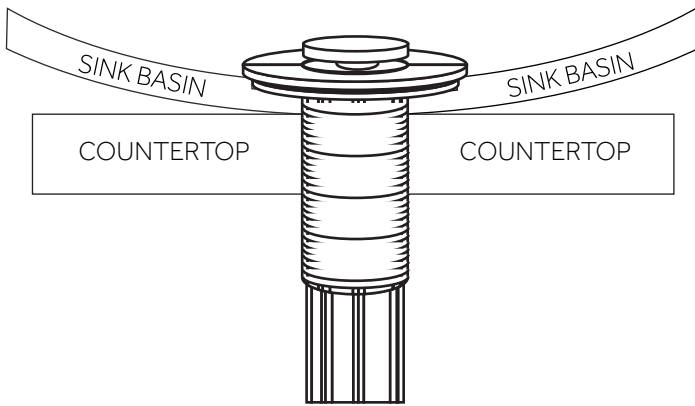


BALLANTINE

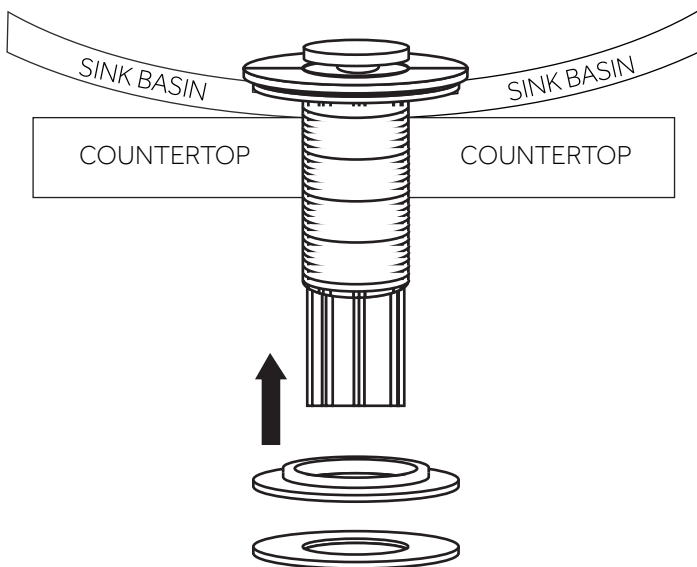
WALL-MOUNT FAUCET

SKU: 911574, 911575

4. Insert the drain flange and tailpiece through the top of your sink's drain hole.



5. From under your counter, slide the tapered rubber gasket followed by the plastic friction washer onto the tailpiece until they meet your sink or countertop. Be sure that the tapered side of the rubber washer is facing up.



6. Thread the lock nut onto the drain flange. Hand tighten until secure, then finish tightening with a basin wrench once the drain is properly aligned.

Important: Be careful not to overtighten, which could crack a porcelain sink or stone countertop.

