

SINGLE HOLE KITCHEN FAUCET

SKU: 927733, 927734

BEFORE YOU BEGIN

We recommend consulting a professional if you are unfamiliar with installing plumbing fixtures. Signature Hardware accepts no liability for any damage to the faucet, plumbing, sink, counter top, or personal injury during installation.

Observe all local plumbing and building codes.

Unpack and inspect the item for shipping damage. If any damage is found, contact our Customer Relations team at 1-855-715-1800.

GETTING STARTED

- Ensure that you have gathered all the required materials that are needed for the installation.
- For these instructions, it is assumed that the old faucet has been completely removed and any necessary repairs or modifications to the water supply have been completed.

TOOLS AND MATERIALS:



Plumber's Tape*



Thread Sealant*



Screwdriver*



Adjustable Wrench*



Hex Wrench

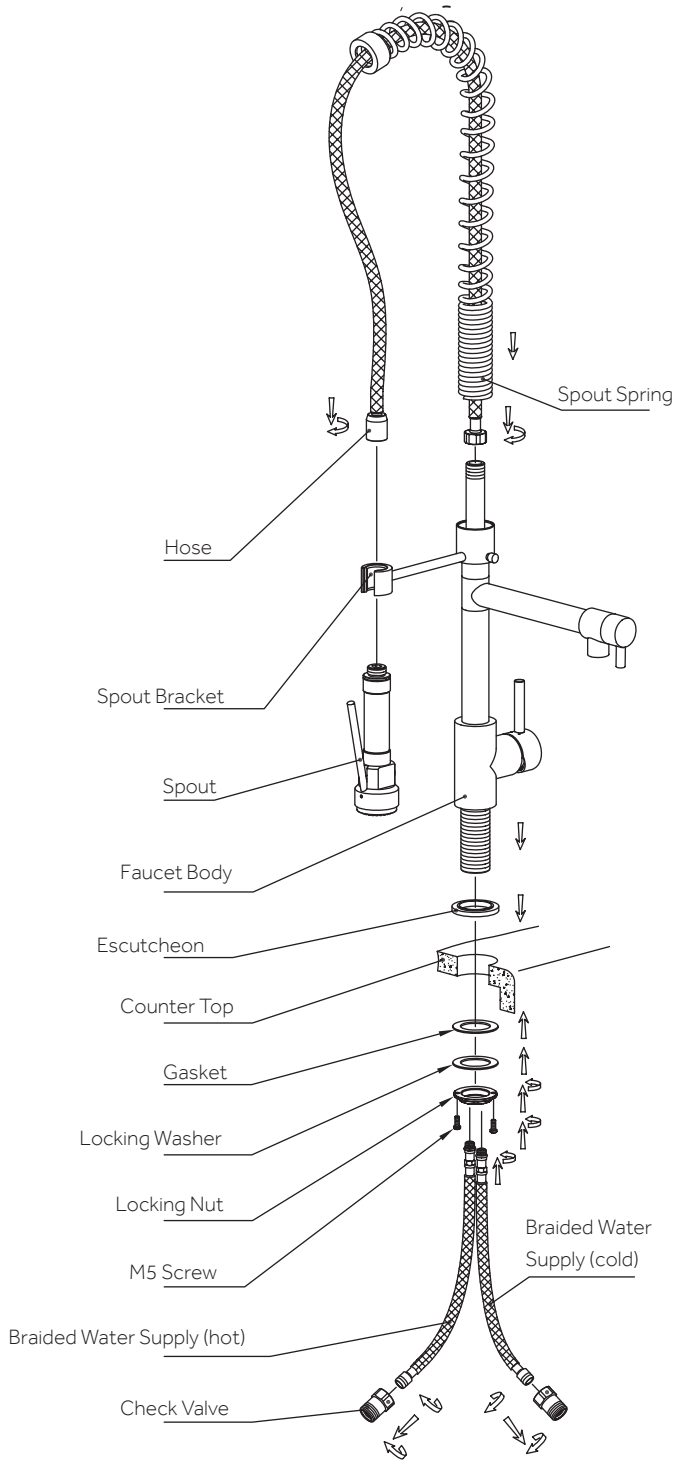


Basin Wrench*

*not included

For Warranty information, please visit: signaturehardware.com/services/warranty

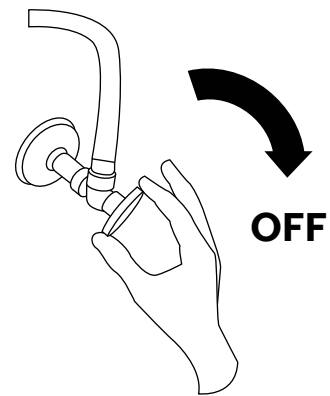
REVISED 04/30/2020
CODES: 507075, 507072, 507073, 507074
409415, 409016, 409813



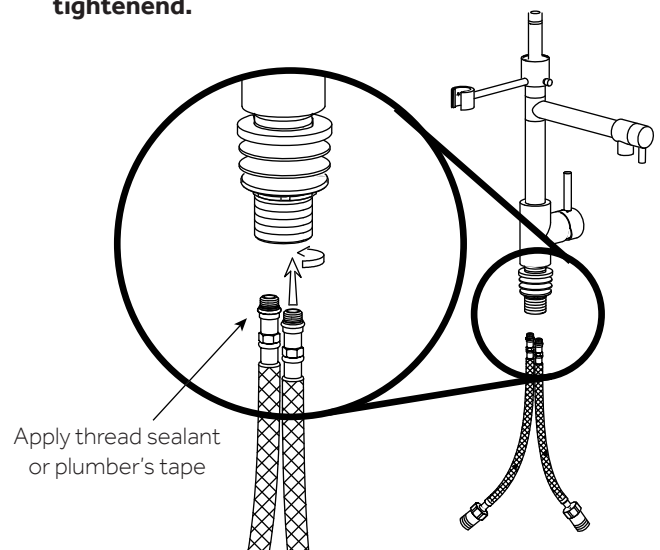
INSTALLATION

1. Ensure that the water supply below your sink is completely shut off by turning the shutoff valves all the way to the right.

Tip: Place a small bucket below your workspace to catch any water that may drip during the installation process.



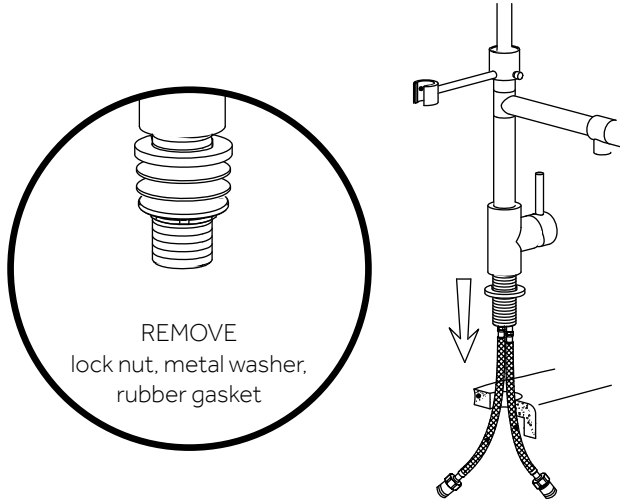
2. If not already attached, attach the provided braided water lines to the faucet body. Use the red and blue marks on the faucet as indicators, and match the hoses accordingly. Apply a small amount of thread sealant to the threading on the hoses before attaching. **If lines are already attached, ensure that they are fully tightened.**



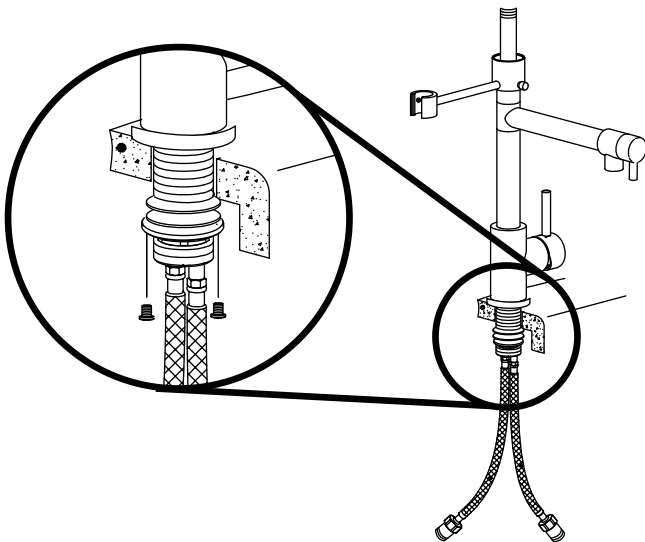
SINGLE HOLE KITCHEN FAUCET

SKU: 927733, 927734

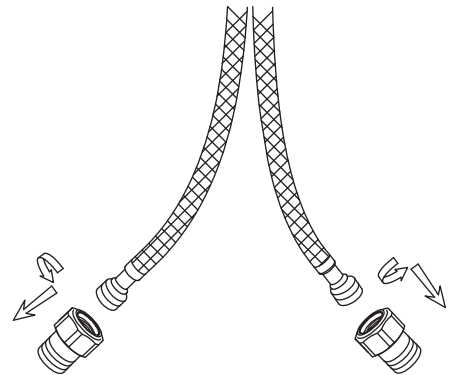
3. Remove the lock nut, metal washer, and rubber gasket from the faucet body. Insert the faucet body through the mounting hole in your counter top.



4. From beneath the sink, slide the rubber gasket back onto the faucet body, followed by the metal washer. Thread the lock nut back onto the faucet body using a basin wrench. Finish tightening by turning the two screws attached to the lock nut to the right.

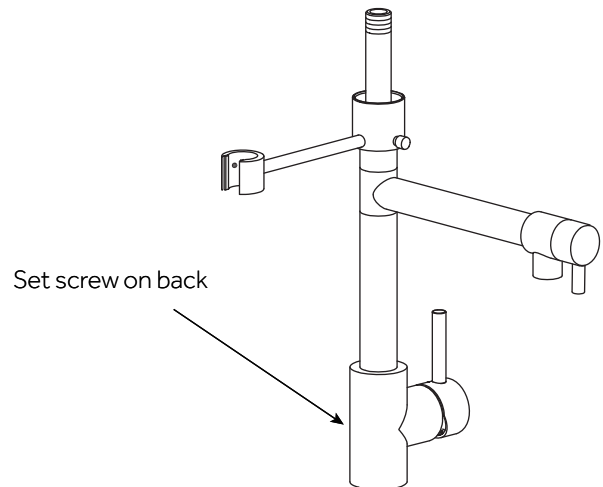


5. Remove the check valves from the end of each braided hose on the faucet body. Apply plumber's tape or thread sealant to the threading on each check valve and attach to your main water supply lines. Ensure that you are connecting the hot and cold lines appropriately.



6. From above the sink, ensure that the set screw on the back of the faucet body is tight before moving on. Use the provided hex wrench to tighten.

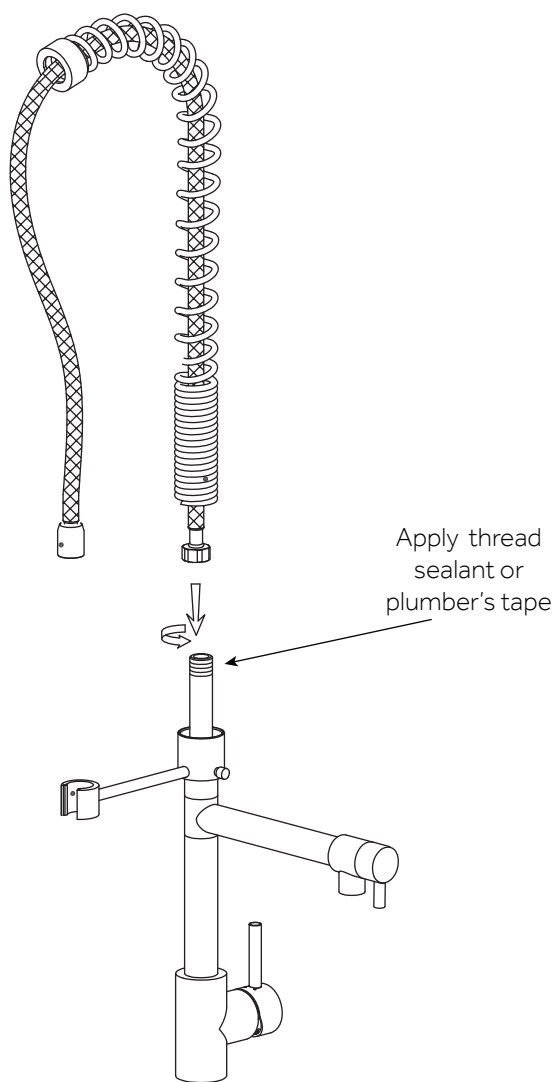
Tip: The set screw is located just above the faucet handle, on the back of the valve.



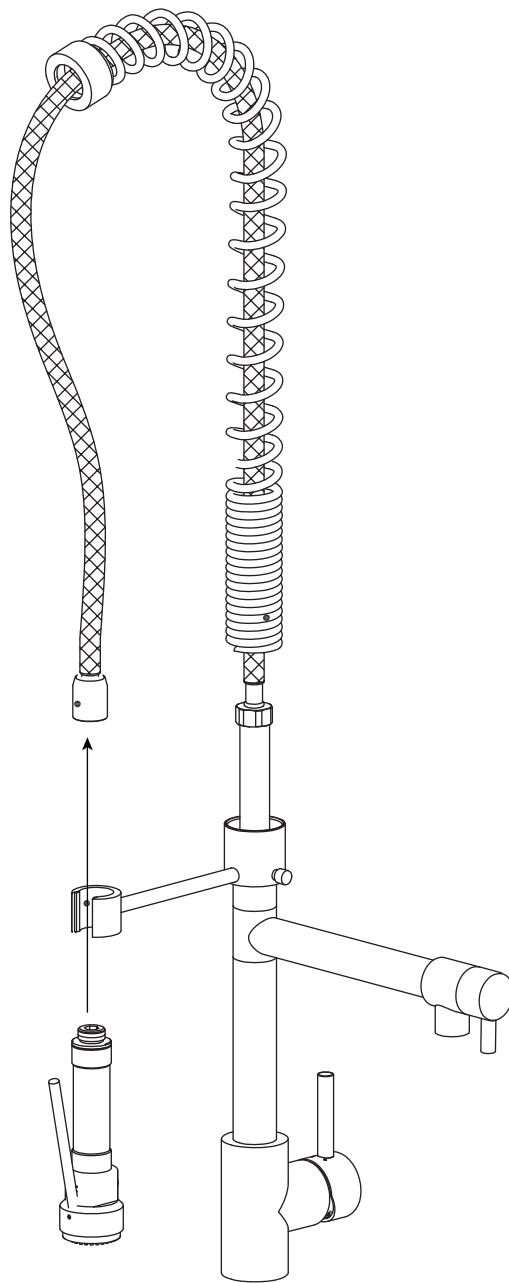
SINGLE HOLE KITCHEN FAUCET

SKU: 927733, 927734

7. Attach the hose and spout spring to the faucet body. Apply a small amount of thread sealant, or plumber's tape, to the threading on the faucet body before attaching.



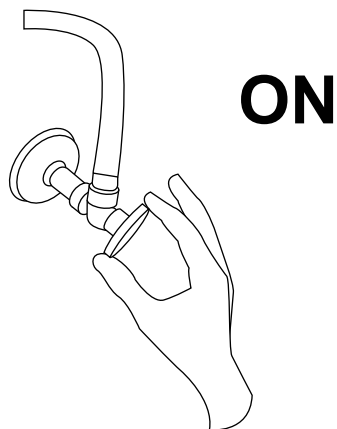
8. Attach the sprayer to the faucet by threading it onto the end of the flexible hose. Mount the sprayer into its cradle once attached.



SINGLE HOLE KITCHEN FAUCET

SKU: 927733, 927734

9. Once installation is complete, turn the main water supply back on from underneath your sink. Check for any leaks underneath.



10. Remove the aerator from the main faucet spout using the provided removal tool. Turn the faucet on and ensure that there are no leaks. Check to ensure that both hot and cold water are running properly. Allow for the water to flow for approximately 60 seconds to remove any dust or sediment within the water lines. Reattach the aerator and turn on the sprayer. Allow the sprayer to run for another 60 seconds, and check for any leaks.

