



# CANE SINGLE HOLE FAUCET INSTALLATION

## BEFORE YOU BEGIN

We recommend consulting a professional if you are unfamiliar with installing plumbing fixtures. Signature Hardware accepts no liability for any damage to the faucet, plumbing, sink, counter top, or for personal injury during installation.

Observe all local plumbing and building codes.

Unpack and inspect the faucet for shipping damage. If any damage is found, contact our Customer Relations team at 1-866-855-2284.

---

## GETTING STARTED

- Ensure that you have gathered all the required materials that are needed for the installation.
- For these instructions, it is assumed that the old faucet has been completely removed and any necessary repairs or modifications to the water supply have been completed.

## TOOLS AND MATERIALS:



Plumbers  
Tape



Thread  
Sealant



Small  
Bucket



Adjustable  
Wrench



Basin  
Wrench



Phillips  
Screwdriver

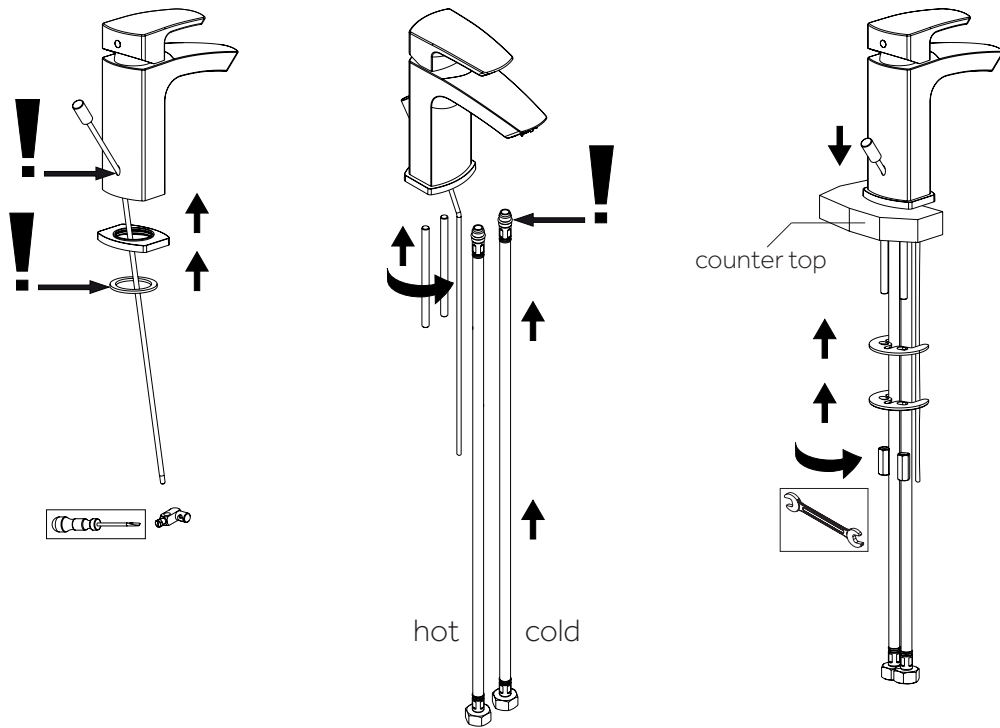
\* The following installation diagram is only for reference. While the design may be different than the actual item, the installation procedure is the same.



# CANE SINGLE HOLE FAUCET INSTALLATION

## INSTALLATION

1



2

