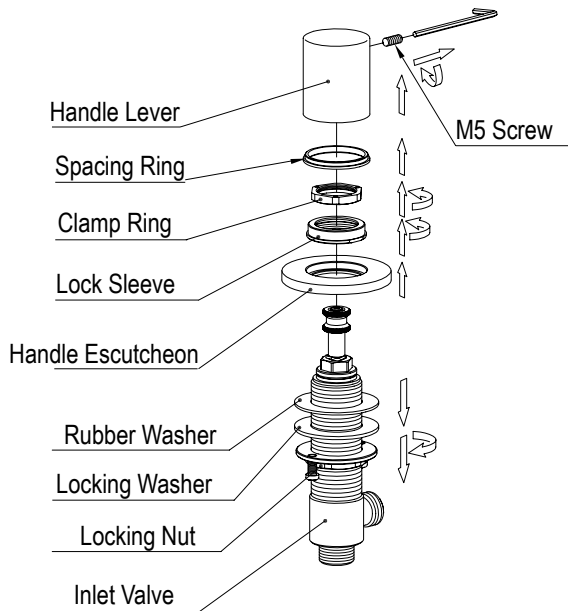


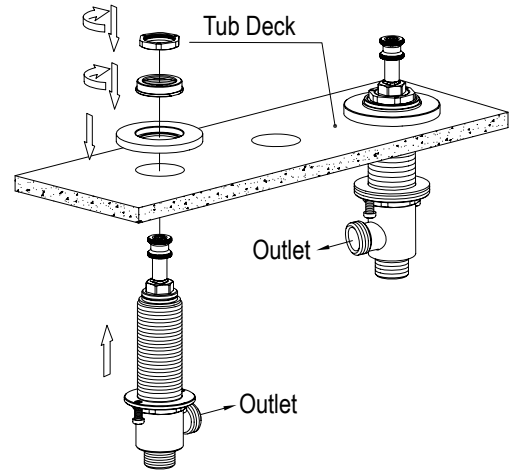




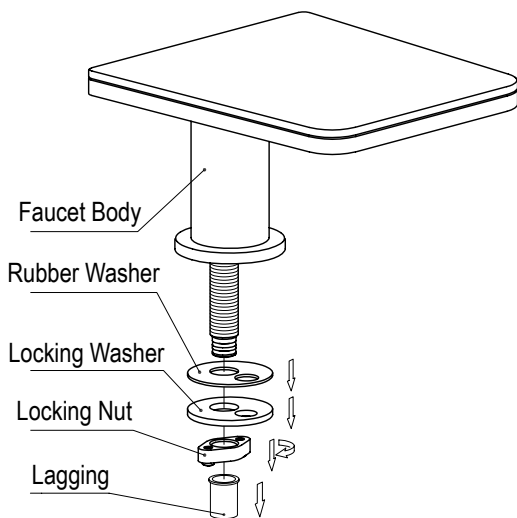
1. Loosen the M5 screws to remove the handle levers, spacing rings, clamp rings, and escutcheons from the inlet valves. Move the locking nut down on the threaded portion of the handle valves.



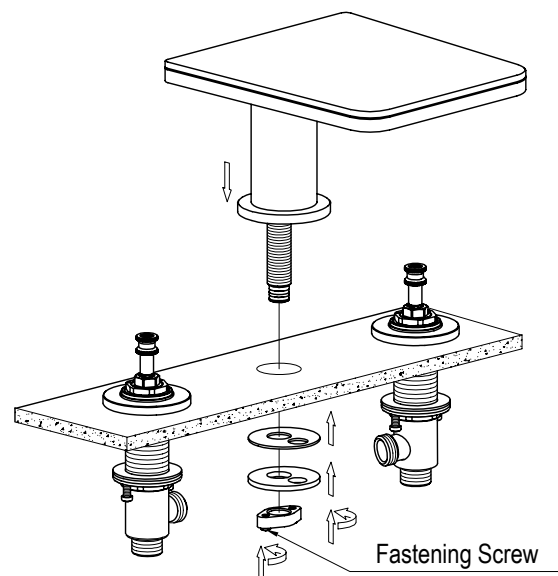
2. From beneath the tub deck, feed the handle valves through the mounting holes. Thread the handle escutcheons, clamp ring, and lock sleeve onto the valves.



3. Remove locking nut, locking washer and rubber washer from the faucet body.

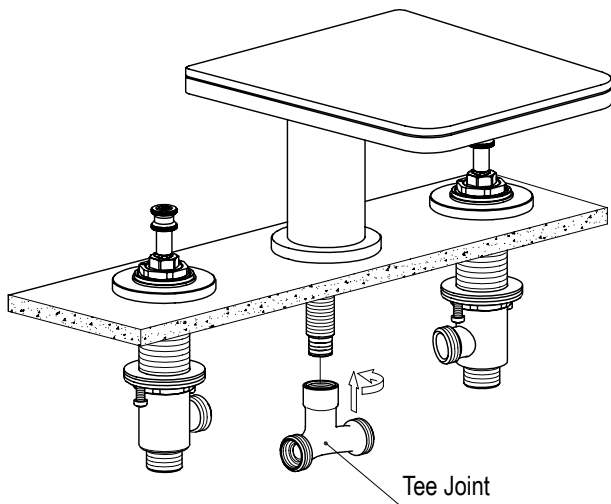


4. Place the faucet body through the tub deck. Thread the rubber washer, locking washer, and locking nut onto the faucet body and tighten with an adjustable wrench.

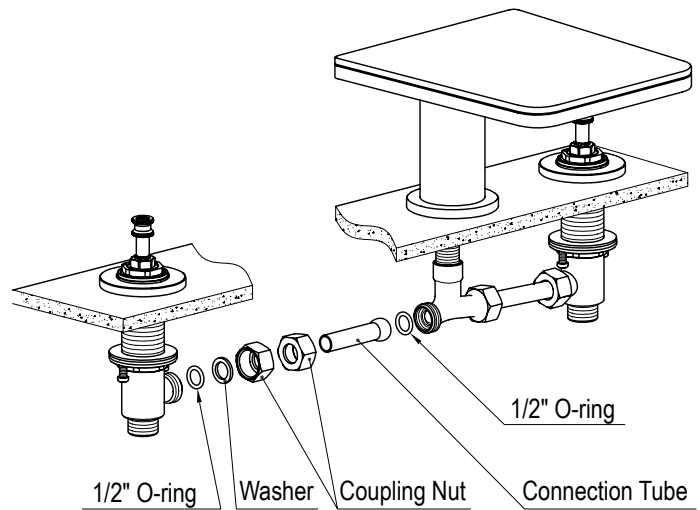




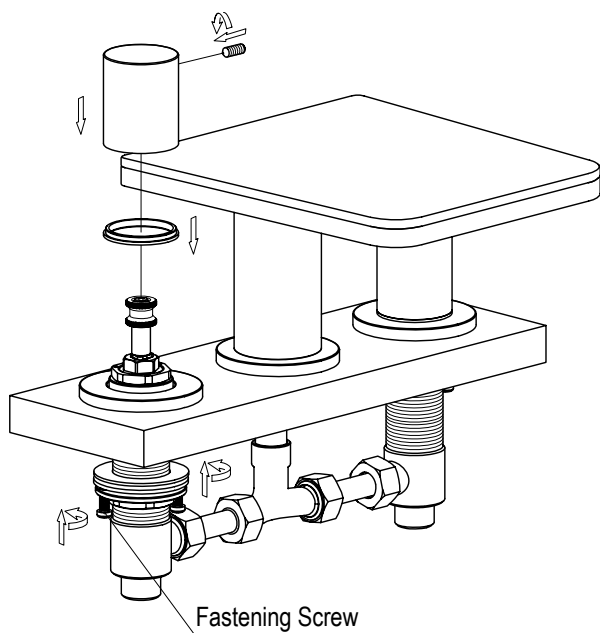
5. Attach the tee joint to the faucet body.



6. Connect the inlet valves and tee joint with the connection tubes and tighten the coupling nuts.



7. Tighten the locking nut and fastening screw. Reinstall the plastic spacing ring and handle lever. Tighten the M5 screw to secure.



8. When your faucet installation is complete, turn on the water supply. Check to make sure that all connections are tight (no water should be leaking) and that the hot and cold supplies are working correctly. Turn the water on and allow the water to flow through the spout for approximately 60 seconds.

