



AVISTON SINGLE HOLE FAUCET INSTALLATION

BEFORE YOU BEGIN

We recommend consulting a professional if you are unfamiliar with installing plumbing fixtures. Signature Hardware accepts no liability for any damage to the faucet, plumbing, sink, counter top, or for personal injury during installation.

Observe all local plumbing and building codes.

Unpack and inspect the faucet for damage. If any damage is found, contact our Customer Relations team at 1-866-855-2284.

GETTING STARTED

- Ensure that you have gathered all the required materials that are needed for the installation.
- For these instructions, it is assumed that the old faucet has been completely removed and any necessary repairs or modifications to the water supply have been completed.

TOOLS AND MATERIALS:



Plumbers Tape



Thread Sealant

Phillips
ScrewdriverAdjustable
Wrench

Small Bucket



Basin Wrench

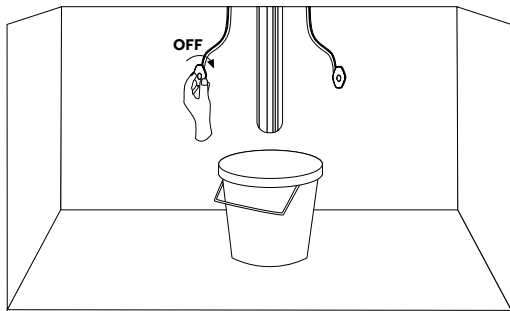


AVISTON SINGLE HOLE FAUCET INSTALLATION

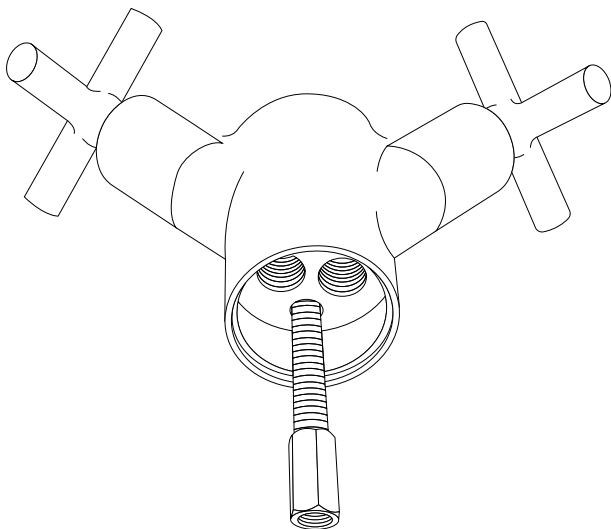
INSTALLATION

1. Ensure that the water supply below your sink is completely shut off by turning the shutoff valves all the way to the right.

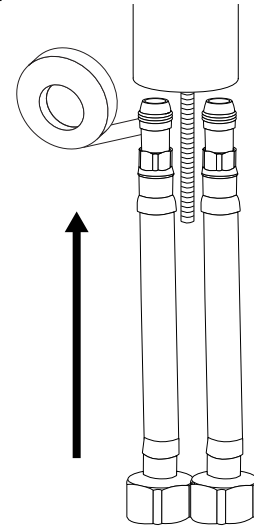
Tip: Place a small bucket below your workspace to catch any water that may drip during the installation process.



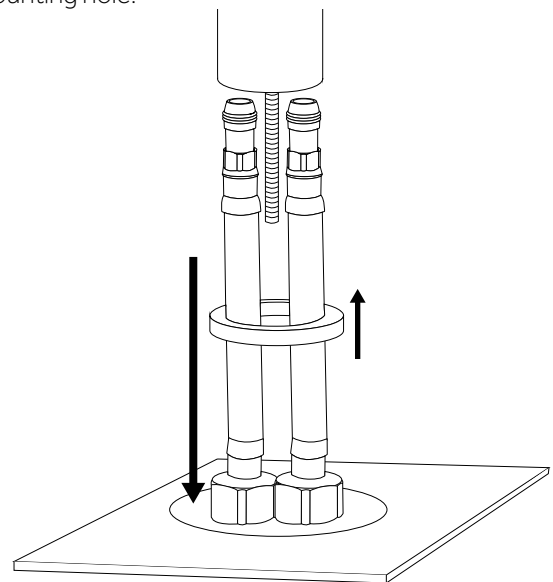
2. Remove the brass lock nuts from the mounting post, and attach the mounting post to the faucet body using a Philips screwdriver.



3. Apply plumber's tape or thread sealant to the threading on each braided water line, and attach them to the faucet body.



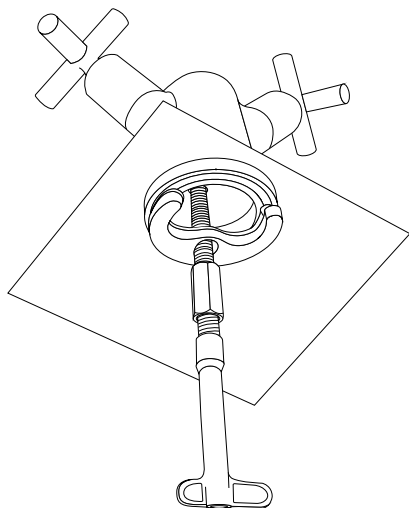
4. Slide the decorative escutcheon onto the faucet body and set the faucet body into its prepared mounting hole.



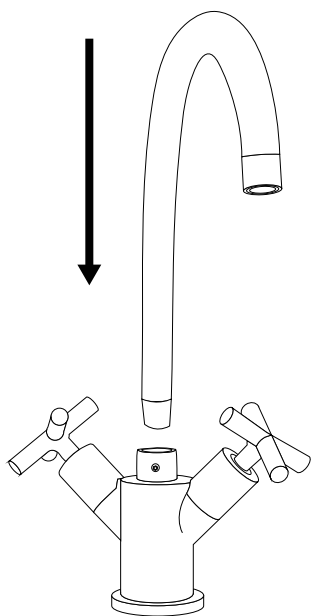


AVISTON SINGLE HOLE FAUCET INSTALLATION

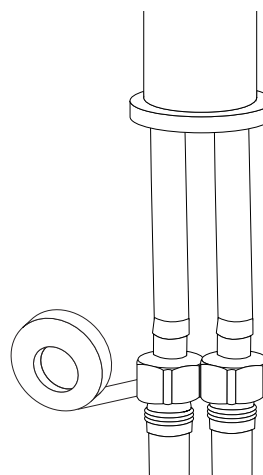
5. From beneath the sink, slide the rubber gasket onto the mounting post, followed by the metal washer. Thread the lock nut onto the mounting post and tighten firmly using the provided basin wrench.



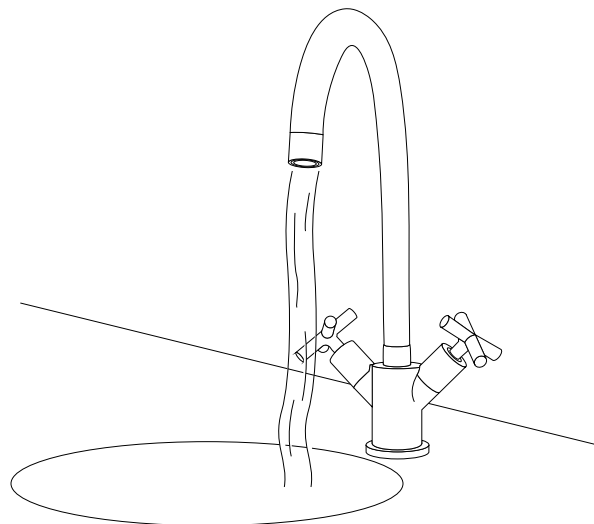
6. Insert the spout into the faucet body. Press the spout firmly into the body. Tighten the set screw on the back of the faucet body to secure.



7. Attach the faucet's water lines to the main water supply. Apply plumber's tape or thread sealant to the threads before attaching. Tighten using an adjustable wrench, but be careful not to overtighten.



8. Turn on the main water supply. Remove the aerator from the spout and turn the faucet on to ensure that there are no leaks. Check to ensure that both hot and cold water are running properly. Allow the water to flow for approximately 60 seconds to remove any dust or sediment within the water lines. Turn the faucet off and reattach the aerator.

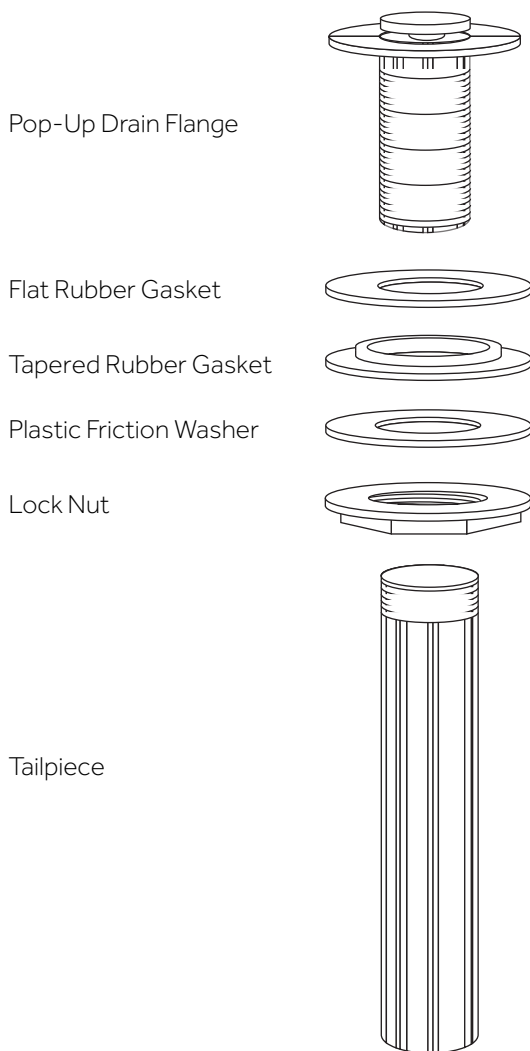




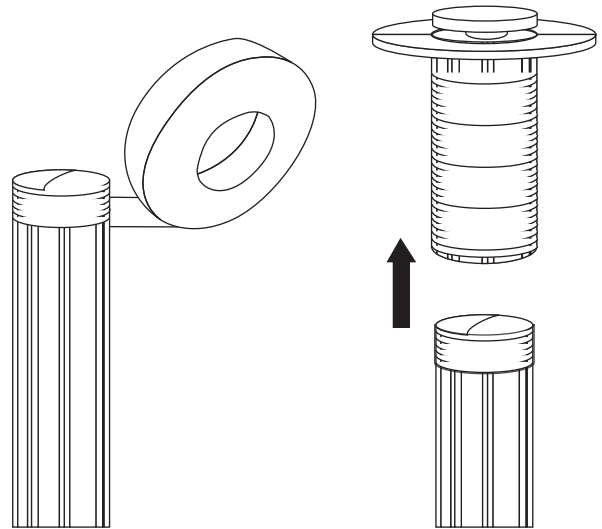
AVISTON SINGLE HOLE FAUCET INSTALLATION

DRAIN INSTALLATION

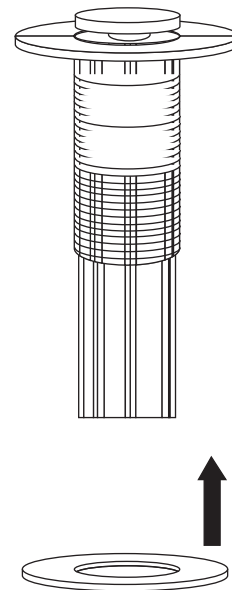
1. Dissassemble the drain assembly and lay the parts aside, in the same order they were removed. See the illustration below as a reference if needed.



2. Apply plumber's tape to the threading on the tailpiece, then reattach the tail piece to the pop-up drain flange.



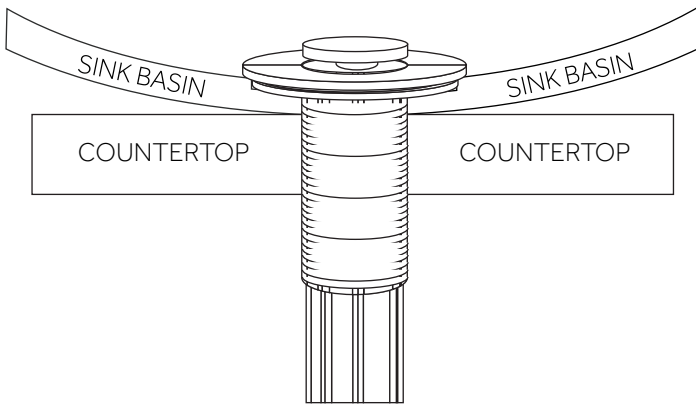
3. Slide the flat rubber gasket up the tailpiece until it meets the lip of the pop-up drain flange.



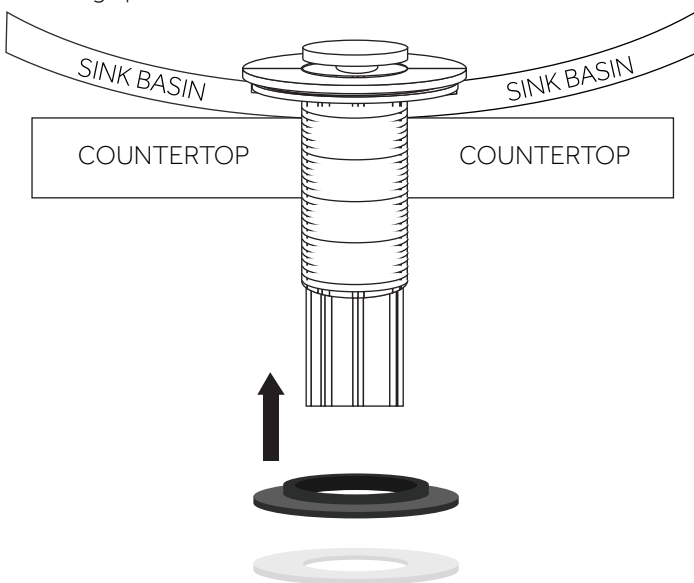


AVISTON SINGLE HOLE FAUCET INSTALLATION

4. Insert the drain flange and tailpiece through the top of your sink's drain hole.



5. From under your counter, slide the tapered rubber gasket followed by the plastic friction washer onto the tailpiece until they meet your sink or countertop. Be sure that the tapered side of the rubber washer is facing up.



6. Thread the lock nut onto the drain flange. Hand tighten until secure, then finish tightening with a basin wrench once the drain is properly aligned.

Important: Be careful not to overtighten, which could crack a porcelain sink or stone countertop.

