

Catalina® Drain Accessory Installation and Removal Instructions

The Catalina® Drain Accessories are designed to fit snugly over the top of the recessed drain as illustrated (Figure 1).

To Install Drain Accessory

Position the Drain Accessory over the top of the recessed shower base drain area. Make sure the four Drain Accessory Clip Legs line up with the four strainer slots as illustrated (Figure 2) before pressing downward to snap it into place.

NOTE: It is necessary to line up strainer slots with the Drain Accessory Clip Legs prior to pressing downward as illustrated (Figure 3). The legs are designed to fit into the Jacuzzi strainer MB28827.

To Remove Drain Accessory

Carefully pry the Drain Accessory upward using a non-abrasive tool such as a plastic spatula as illustrated (Figure 4). **DO NOT USE** an abrasive tool or a tool with sharp edges of any kind!

NOTE: The Drain Accessories are made of fragile material and will break if accidentally dropped.

RISK OF ACCIDENTAL INJURY! Do not permit children to use this unit unless they are closely supervised at all times. This equipment is intended for indoor use only.

Drain Accessory Care And Cleaning Instructions

Jacuzzi Luxury Bath Drain Accessories are manufactured with non-porous and durable materials that, when properly cared for and cleaned, resist soil buildup and stains to a great degree. To ensure proper care, follow these simple steps:

1. First clean the Drain Accessory with a mild dish soap and warm water, wipe it clean, then wipe it again with a soft (slightly dampened) cloth to remove any remaining soap residue.
2. For more difficult stains such as grease, oil, paint or ink, apply rubbing alcohol to the affected area, then wipe it clean with a soft, dry cloth.
3. Avoid abrasive cleansers and solvents, harsh chemicals or those containing lime removal elements. They may damage the finish and void the warranty.
4. **DO NOT** use abrasive scrubbing cloths or pads of any kind.
5. **DO NOT** use razor blades or other sharp objects that might scratch the surface.
6. **DO NOT** use aftermarket bath products containing dye.
7. If unsure of the suitability of a product's appropriateness for use with these products, first test a very small amount of the product on an inconspicuous area before using it on a visible surface.

For Solid Surface Matte Finish Models (observe these additional guidelines). For very difficult stains, Jacuzzi Luxury Bath recommends the following cleansers and materials:

- Mr. Clean Magic Eraser
- Soft Scrub, Bon Ami or Gray Scotch Brite Pads (only).
- **CAUTION: DO NOT** use Green Scotch Brite Pads for any reason since they will damage the tub surfaces.

Note: Please see your shower base manual for additional information.

Figure 1

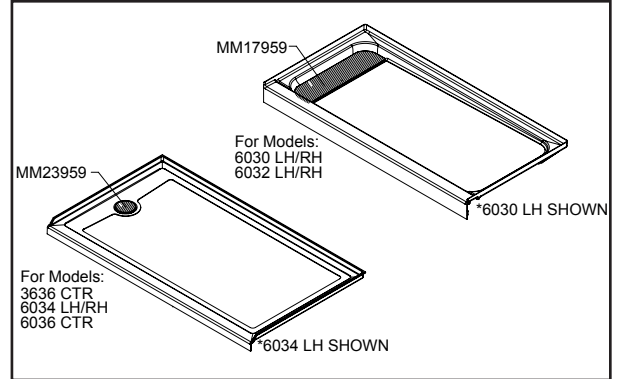


Figure 2

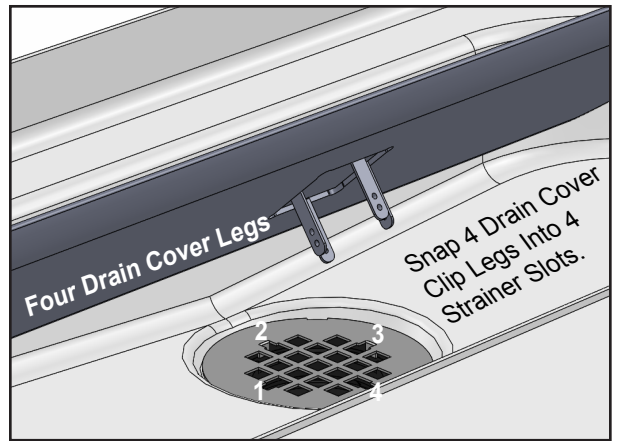


Figure 3

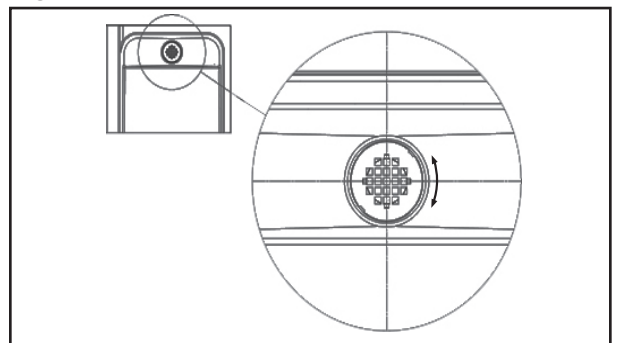


Figure 4

