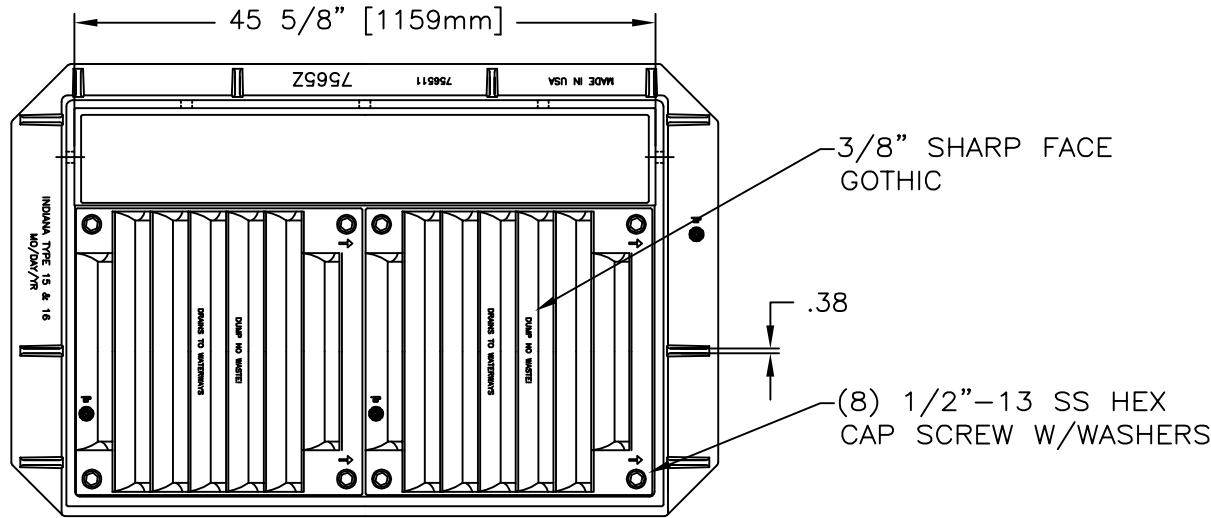


# 7565Z 5425M2 Assembly



## Product Number

00542532B03

## Design Features

- Materials
  - Grate  
Ductile Iron (80-55-06)
  - Curb Inlet Frame  
Gray Iron (CL35B)
- Design Load  
Heavy Duty
- Open Area  
440 Sq. Inches
- Coating  
Undipped
- √ Designates Machined Surface

## Certification

- 
- ASTM A48
- ASTM A536
- Country of Origin:USA

## Major Components

00542532  
00756511

## Drawing Revision

01/29/2018 Designer: MAH  
Revised By:

## Disclaimer

Weights (lbs./kg) dimensions (inches/mm) and drawings provided for your guidance. We reserve the right to modify specifications without prior notice.

CONFIDENTIAL: This drawing is the property of EJ GROUP, Inc., and embodies confidential information, registered marks, patents, trade secret information, and/or know how that is the property of EJ GROUP, Inc. Copyright © 2013 EJ GROUP, Inc. All rights reserved.

## Contact

800 626 4653  
ejco.com

