

## WhisperGreen® Select™ Ventilation Fans and Fan/Lights



### WhisperGreen® Select™ VENTILATION FAN

Fan Only Models: FV-0511VK2,  
FV-0511VKS2, FV-1115VK2

Fan/Light Models: FV-0511VKL2,  
FV-0511VKSL2, FV-1115VKL2



- Precision, whole-house ventilation solution ideal for use in the bathroom, laundry room, sun room, basement or garage
- Customizable, all-in-one fan and fan/dimmable LED light combinations
- Pick-A-Flow Airflow Selector (50-80-110 or 110-130-150 CFM models) combined with SmartFlow™ technology simplifies the selection process and ensures optimum performance to meet code and reduce callbacks
- Revolutionary ECM motor with SmartFlow™ technology ensures optimal CFM output
- Unique Plug 'N Play modules provide up to three value-added features
- Elegant grille design complements the aesthetics of any room
- New and improved single-hinged Flex-Z Fast™ bracket provides flexible, fast and easy installation
- Meets stringent green building codes and standards, including ASHRAE 62.2, LEED, ENERGY STAR® for Homes 3.0, IAP, JA8 Title 24, CA Title 24 and WA Ventilation Code

#### ADDITIONAL BENEFITS

- Environmentally friendly 26 gauge Zinc-Aluminum-Magnesium (ZAM) housing
- Integrated 4" or 6" dual duct adapter enhances installation options / Fits in 2 x 8 construction
- Built-in metal flange provides blocking for penetrations through drywall as an air barrier, and assists with the decrease in leakage in the building envelope during blower door testing
- Suitable for installation in ceilings insulated up to R60
- Dual access junction box simplifies wiring in tight spaces
- UL listed for tub/shower enclosure when GFCI protected
- UL listed for use with the Panasonic Ceiling Radiation Damper (model # PC-RD05C5)
- 6 year warranty on ECM motor, 5 years on LED, 3 years on parts



BUILT-IN SELF  
ADJUSTING AIRFLOW  
CAPABILITY



# One Fan – Endless Possibilities.

## The all-purpose, customizable IAQ solution for virtually any application

WhisperGreen® Select™ is a groundbreaking IAQ solution that is revolutionizing the ventilation fan industry with a unique set of features that enable customization and easier installation. To the builder and professional installer, Panasonic continues to be the innovation leader with high performance ventilation solutions that are built to last. WhisperGreen Select's unique design and superior energy efficiency are achieved through engineering expertise, provided by a company who sets the standard for quality and value.

### WHISPERGREEN SELECT™ IS AS EASY AS 1-2-3!

#### Step 1: Select a Base Fan Model

---

Select a base model to start building the perfect IAQ solution that satisfies your ventilation design requirements.

Fan	Fan/Light
FV-0511VK2: 50 to 110 CFM single speed	FV-0511VKL2: 50 to 110 CFM single speed + LED Light
FV-0511VKS2: 30 to 110 CFM pre-installed multi-speed	FV-0511VKSL2: 30 to 110 CFM pre-installed multi-speed + LED Light
FV-1115VK2: 50 to 150 CFM single speed	FV-1115VKL2: 50 to 150 CFM single speed + LED Light

#### Pick-A-Flow™ Airflow Technology

Pick-A-Flow™ Airflow Selector – one fan, you choose the CFM. Provides the unique ability to select your required airflow (50-80-110 and 110-130-150 CFM models) with the simple flip of a switch.

#### Step 2: Select Value Added Features

---

WhisperGreen Select™ offers a unique set of three patented modules that allow you to further customize your fan:



**Multi-Speed with Time Delay (FV-VS15VK1)** – Allows you to select the proper CFM settings to satisfy ASHRAE 62.2 continuous ventilation requirements. The fan runs continuously at a pre-set lower level, then elevates to a maximum level of operation when the wall switch is turned on, or when the SmartAction® motion sensor or condensation sensor module is activated. A high/low delay timer returns the fan to the pre-set CFM level after a period of time set by the user.



**SmartAction® Motion Sensor (FV-MSVK1)** – Automatically activates when someone enters the room. Once the settings have been applied, the fan becomes truly automatic, making it ideal for people with disabilities and assisted living environments such as nursing homes and retirement communities. This module also activates an automatic 20-minute delay off timer for the fan.



**Condensation Sensor (FV-CSVK1)** – Helps control bathroom condensation to prevent mold and mildew. Advanced sensor technology detects relative humidity and temperature to anticipate dew point, automatically turning the fan on to control humidity. Built-in Relative Humidity (RH) sensitivity adjustment enables fine tuning for moist conditions (30% to 80%, in 10% increments) and for satisfying CALGreen requirements. When the condensation sensor is used in conjunction with multi-speed functionality, the fan will kick up to high speed when the condensation sensor detects moisture in the room. This module also activates an automatic 20-minute delay off timer for the fan.

## Superior Installed Performance up to .375" w.g. and Certified Quiet Operation at 0.25" w.g. Static Pressure

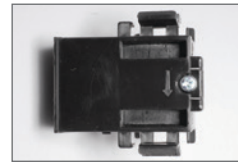
Although ASHRAE, ENERGY STAR®, LEED for Homes, and HVI have set the industry standard for performance measurement at 0.1" and 0.25" w.g., WhisperGreen® Select™ fans provide powerful CFM output at 0.375" w.g. that is more representative of most installations. Sones have also been certified at 0.25" w.g. to provide a more realistic, installed value, so they are quiet under pressure and after installation.



Multi-Speed with Time Delay  
(FV-VS15VK1)



SmartAction® Motion Sensor  
(FV-MSVK1)



Condensation Sensor  
(FV-CSVK1)

### Step 3: Install Your Ideal Fan with the New! Flex-Z Fast™ Installation System



Single-hinge articulating joints to easily position bracket in between the joist and/or through ceiling hole.



Easily position bracket in between the joist or ceiling hole.



Extend bracket to desired length.

Ingeniously designed installation bracket provides flexible, fast and easy installation for all your new construction or renovation projects.



#### ECM Motor with SmartFlow™ Technology

WhisperGreen® Select™ is designed to perform as rated. When the fan senses static pressure, its speed is automatically increased to ensure optimal CFM output. This feature provides peace of mind, as the installer doesn't have to worry about compromising the fan's performance.



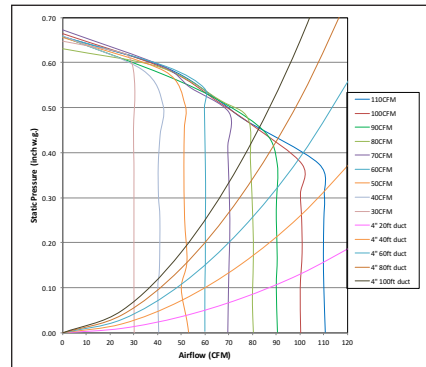
#### LED Lighting

Includes a 10 Watt dimmable LED chip panel/3000 Kelvin Warm White/90CRI/700 lumens/70 LPW/ENERGY STAR® 2.0 certified/JA-8 compliant for CA Title 24/50,000 hours rated average life / <1W LED night light.

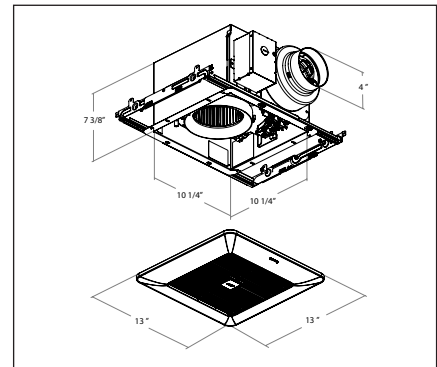
**FV-0511VK2**  
Ventilation Fan



**FV-0511VK2**



**FV-0511VK2**



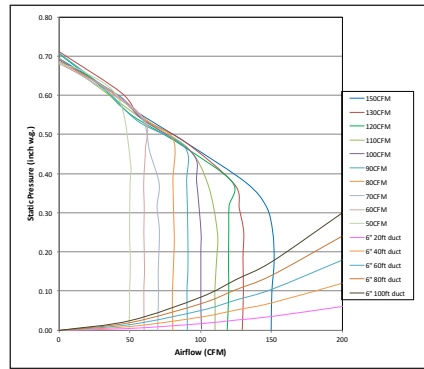
Specifications		WhisperGreen <sup>®</sup> Select™ (Fan Only)								
		Base Fan								
		FV-0511VK2								
Characteristics (HVI tested data for 0.1" S.P.)	Static Pressure in inches w.g.	0.1	0.25	0.375	0.1	0.25	0.375	0.1	0.25	0.375
	Air Volume (CFM)	110	110	108	80	80	79	50	51	51
	Noise (sones)	<0.3	0.8	-	<0.3	0.5	-	<0.3	0.4	-
	Power Consumption (watts)	9.9	15.4	20.0	5.1	9.6	13.4	3.1	6.2	9.6
	Energy Efficiency (CFM/Watt)	11.1	7.1	5.4	15.7	8.3	5.9	16.2	8.3	5.3
	Speed (RPM)	920	1182	1356	795	1113	1315	722	1054	1266
	Current (amps)	0.10	0.16	0.20	0.06	0.10	0.14	0.04	0.07	0.10
	MAX. Current (amps)	0.20								
Power Rating (W/Hz)	120/60									
Specifications	Motor Type	ECM								
	Type of Motor Bearing	Ball								
	Thermal Fuse Protection	Yes								
	Blower Wheel Type	Sirocco								
	ENERGY STAR Qualified	Yes								
Installation	Duct Diameter (Inches)	4 & 6								
	Mounting Opening (Inches sq.)	10-1/2								
	Grille Size (Inches sq.)	13								
Light Specifications	Lamp Watts	N/A								
	Lumens (lm)	N/A								
	Lumens Per Watt (LPW)	N/A								
	Color Rendering Index	N/A								
	Color Temperature (Kelvin)	N/A								
	Rated Life (hours)	N/A								
	Lamp Model #	N/A								
Type of Lamp Socket	N/A									
Night Light Specs	Night Light Watts	N/A*								
Shipping	Gross Weight (lbs)	11.80								
Approved Code/Standard/Regulation	UL tub/Shower Enclosure	Yes								
	Washington VIAQ Code	Yes								
	Wall installation	No								
	California Title 24 Compliant	Yes								
	Mfg in ISO 9001 Certified Facility	Yes								

0.375=Installed Performance

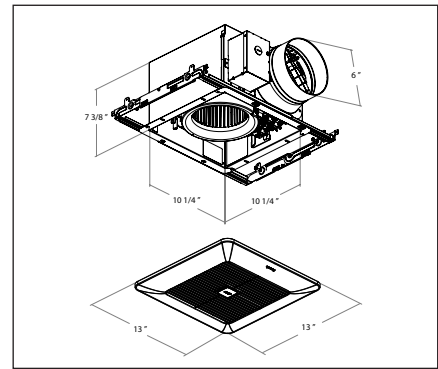
**FV-1115VK2**  
Ventilation Fan



**FV-1115VK2**



**FV-1115VK2**



Specifications		WhisperGreen <sup>®</sup> Select™ (Fan Only)								
		Base Fan								
		FV-1115VK2								
Characteristics (HVI tested data for 0.1" S.P.)	Static Pressure in inches w.g.	0.1	0.25	0.375	0.1	0.25	0.375	0.1	0.25	0.375
	Air Volume (CFM)	150	151	132	130	130	124	110	112	105
	Noise (sones)	<0.3	0.7	-	<0.3	0.4	-	<0.3	0.3	-
	Power Consumption (watts)	12.9	22.0	24.4	9.2	16.5	22.1	6.9	12.8	17.9
	Energy Efficiency (CFM/Watt)	11.7	6.8	5.4	14.2	7.9	5.6	16.0	8.7	5.8
	Speed (RPM)	684	916	1084	645	900	1080	625	894	1083
	Current (amps)	0.14	0.22	0.24	0.10	0.17	0.22	0.08	0.13	0.18
	MAX. Current (amps)	0.24								
Power Rating (V/Hz)	120/60									
Specifications	Motor Type	ECM								
	Type of Motor Bearing	Ball								
	Thermal Fuse Protection	Yes								
	Blower Wheel Type	Sirocco								
	ENERGY STAR Qualified	Yes								
Installation	Duct Diameter (Inches)	6								
	Mounting Opening (Inches sq.)	10-1/2								
	Grille Size (Inches sq.)	13								
Light Specifications	Lamp Watts	N/A								
	Lumens (lm)	N/A								
	Lumens Per Watt (LPW)	N/A								
	Color Rendering Index	N/A								
	Color Temperature (Kelvin)	N/A								
	Rated Life (hours)	N/A								
	Lamp Model #	N/A								
Type of Lamp Socket	N/A									
Night Light Specs	Night Light Watts	N/A*								
Shipping	Gross Weight (lbs)	11.95								
Approved Code/Standard/Regulation	UL tub/Shower Enclosure	Yes								
	Washington VIAQ Code	Yes								
	Wall installation	No								
	California Title 24 Compliant	Yes								
	Mfg in ISO 9001 Certified Facility	Yes								

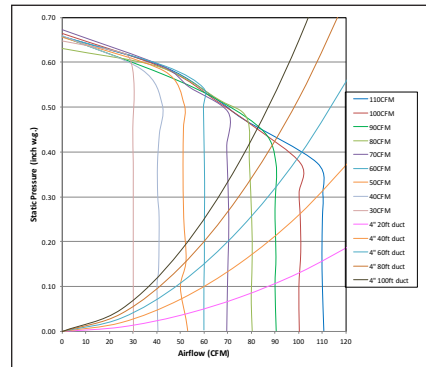
0.375=Installed Performance

**FV-0511VKS2**

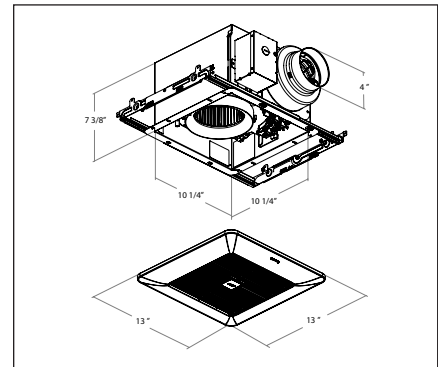
Ventilation Fan with Pre-Installed Multi-Speed



**FV-0511VKS2**



**FV-0511VKS2**



Specifications		WhisperGreen <sup>®</sup> Select™ (Fan Only)														
		Base Fan with Pre-Installed Multi-Speed														
		FV-0511VKS2														
Characteristics (HVI tested data for 0.1" S.P.)	Static Pressure in inches w.g.	0.1	0.25	0.375	0.1	0.25	0.375	0.1	0.25	0.375	0.1	0.25	0.375	0.1	0.25	
	Air Volume (CFM)	110	110	108	100	101	101	90	90	90	80	80	79	70	71	
	Noise (sones)	<0.3	0.8	-	<0.3	0.7	-	<0.3	0.6	-	<0.3	0.5	-	<0.3	0.5	
	Power Consumption (watts)	9.9	15.4	20.0	7.9	13.1	17.8	6.5	11.2	16.0	5.1	9.6	13.4	4.3	8.5	
	Energy Efficiency (CFM/Watt)	11.1	7.1	5.4	12.7	7.7	5.7	13.9	8.0	5.6	15.7	8.3	5.9	16.7	8.5	
	Speed (RPM)	920	1182	1356	889	1164	1356	839	1135	1351	795	1113	1315	760	1112	
	Current (amps)	0.10	0.16	0.20	0.09	0.14	0.18	0.07	0.12	0.16	0.06	0.10	0.14	0.05	0.09	
	MAX. Current (amps)	0.20														
	Power Rating (V/Hz)	120/60														
Specifications	Motor Type	ECM														
	Type of Motor Bearing	Ball														
	Thermal Fuse Protection	Yes														
	Blower Wheel Type	Sirocco														
	ENERGY STAR Qualified	Yes														
Installation	Duct Diameter (Inches)	4 & 6														
	Mounting Opening (Inches sq.)	10-1/2														
	Grille Size (Inches sq.)	13														
Light Specifications	Lamp Watts	N/A														
	Lumens (lm)	N/A														
	Lumens Per Watt (LPW)	N/A														
	Color Rendering Index	N/A														
	Color Temperature (Kelvin)	N/A														
	Rated Life (hours)	N/A														
	Lamp Model #	N/A														
Type of Lamp Socket	N/A															
Night Light Specs	Night Light Watts	N/A*														
Shipping	Gross Weight (lbs)	11.90														
Approved Code/Standard/Regulation	UL tub/Shower Enclosure	Yes														
	Washington VIAQ Code	Yes														
	Wall installation	No														
	California Title 24 Compliant	Yes														
Mfg in ISO 9001 Certified Facility	Yes															

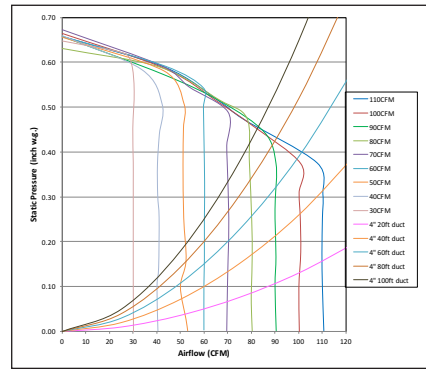
0.375=Installed Performance

**FV-0511VKS2 (cont'd)**

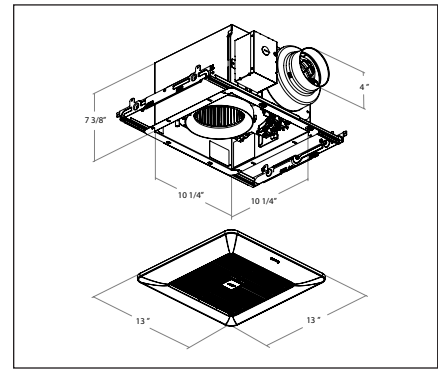
Ventilation Fan with Pre-Installed Multi-Speed



**FV-0511VKS2**



**FV-0511VKS2**



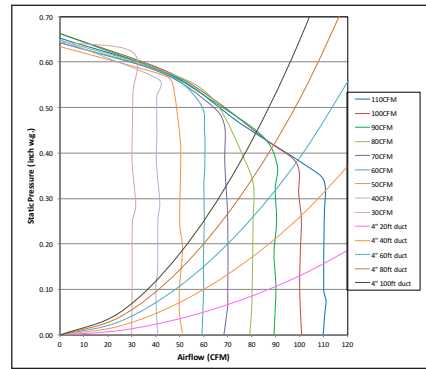
Specifications		WhisperGreen <sup>®</sup> Select™ (Fan Only)												
		Base Fan with Pre-Installed Multi-Speed												
		FV-0511VKS2												
Characteristics (HVI tested data for 0.1" S.P.)	Static Pressure in inches w.g.	0.375	0.1	0.25	0.375	0.1	0.25	0.375	0.1	0.25	0.375	0.1	0.25	0.375
	Air Volume (CFM)	70	60	60	60	50	51	51	40	41	40	30	30	30
	Noise (sones)	-	<0.3	0.4	-	<0.3	0.4	-	<0.3	0.3	-	<0.3	0.3	-
	Power Consumption (watts)	12.1	3.7	6.9	10.5	3.1	6.2	9.6	2.7	5.5	7.8	2.4	4.6	6.8
	Energy Efficiency (CFM/Watt)	5.9	16.3	8.7	5.7	16.2	8.3	5.3	14.8	7.4	5.1	12.6	6.6	4.4
	Speed (RPM)	1309	751	1061	1287	722	1054	1266	707	1057	1251	711	1039	1259
	Current (amps)	0.13	0.05	0.08	0.11	0.04	0.07	0.10	0.04	0.07	0.09	0.04	0.06	0.08
	MAX. Current (amps)	0.20												
	Power Rating (V/Hz)	120/60												
Specifications	Motor Type	ECM												
	Type of Motor Bearing	Ball												
	Thermal Fuse Protection	Yes												
	Blower Wheel Type	Sirocco												
	ENERGY STAR Qualified	Yes												
Installation	Duct Diameter (Inches)	4 & 6												
	Mounting Opening (Inches sq.)	10-1/2												
	Grille Size (Inches sq.)	13												
Light Specifications	Lamp Watts	N/A												
	Lumens (lm)	N/A												
	Lumens Per Watt (LPW)	N/A												
	Color Rendering Index	N/A												
	Color Temperature (Kelvin)	N/A												
	Rated Life (hours)	N/A												
	Lamp Model #	N/A												
Type of Lamp Socket	N/A													
Night Light Specs	Night Light Watts	N/A*												
Shipping	Gross Weight (lbs)	11.90												
Approved Code/Standard/ Regulation	UL tub/Shower Enclosure	Yes												
	Washington VIAQ Code	Yes												
	Wall installation	No												
	California Title 24 Compliant	Yes												
	Mfg in ISO 9001 Certified Facility	Yes												

0.375=Installed Performance

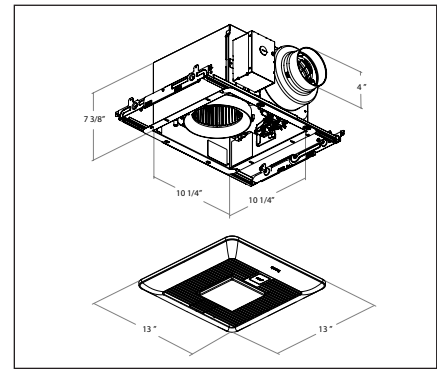
**FV-0511VKL2**  
Ventilation Fan with LED Light



**FV-0511VKL2**



**FV-0511VKL2**



Specifications		WhisperGreen <sup>®</sup> Select™ (Fan/LED Light)								
		Base Fan with LED Light								
		FV-0511VKL2								
Characteristics (HVI tested data for 0.1" S.P.)	Static Pressure in inches w.g.	0.1	0.25	0.375	0.1	0.25	0.375	0.1	0.25	0.375
	Air Volume (CFM)	110	110	103	80	80	78	50	50	50
	Noise (sones)	0.4	0.9	-	<0.3	0.5	-	<0.3	0.4	-
	Power Consumption (watts)	10.5	15.8	19.4	5.3	9.9	13.8	3.2	6.2	9.9
	Energy Efficiency (CFM/Watt)	10.5	6.9	5.2	15.3	8.2	5.6	15.7	8.1	5.1
	Speed (RPM)	958	1203	1375	811	1127	1341	730	1066	1281
	Current (amps)	0.11	0.16	0.19	0.06	0.10	0.14	0.04	0.07	0.10
	MAX. Current (amps)	0.19								
	Power Rating (V/Hz)	120/60								
Specifications	Motor Type	ECM								
	Type of Motor Bearing	Ball								
	Thermal Fuse Protection	Yes								
	Blower Wheel Type	Sirocco								
	ENERGY STAR Qualified	Yes								
Installation	Duct Diameter (Inches)	4 & 6								
	Mounting Opening (Inches sq.)	10-1/2								
	Grille Size (Inches sq.)	13								
Light Specifications	Lamp Watts	10								
	Lumens (lm)	700lm per lamp*								
	Lumens Per Watt (LPW)	70LPW*								
	Color Rendering Index	90								
	Color Temperature (Kelvin)	3,000K								
	Rated Life (hours)	50,000								
	Lamp Model #	N/A								
Type of Lamp Socket	LED chip									
Night Light Specs	Night Light Watts	0.2								
Shipping	Gross Weight (lbs)	12.4								
Approved Code/Standard/Regulation	UL tub/Shower Enclosure	Yes								
	Washington VIAQ Code	Yes								
	Wall installation	No								
	California Title 24 Compliant	Yes								
	Mfg in ISO 9001 Certified Facility	Yes								

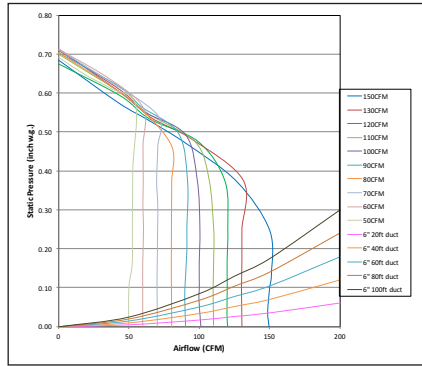
0.375=Installed Performance



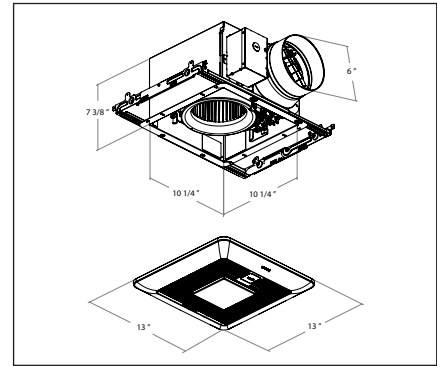
**FV-1115VKL2**  
Ventilation Fan with LED Light



**FV-1115VKL2**



**FV-1115VKL2**



Specifications		WhisperGreen <sup>®</sup> Select™ (Fan/LED Light)								
		Base Fan with LED Light								
		FV-1115VKL2								
Characteristics (HVI tested data for 0.1" S.P.)	Static Pressure in inches w.g.	0.1	0.25	0.375	0.1	0.25	0.375	0.1	0.25	0.375
	Air Volume (CFM)	150	150	127	130	130	131	110	110	107
	Noise (sones)	0.4	0.8	-	<0.3	0.5	-	<0.3	0.3	-
	Power Consumption (watts)	14.9	22.5	23.8	10.4	17.9	25.4	7.5	13.4	18.8
	Energy Efficiency (CFM/Watt)	10.1	6.7	5.3	12.5	7.2	5.1	14.6	8.2	5.7
	Speed (RPM)	722	951	1105	682	932	1113	648	916	1108
	Current (amps)	0.15	0.22	0.23	0.11	0.18	0.25	0.08	0.14	0.19
	MAX. Current (amps)	0.23								
Power Rating (V/Hz)	120/60									
Specifications	Motor Type	ECM								
	Type of Motor Bearing	Ball								
	Thermal Fuse Protection	Yes								
	Blower Wheel Type	Sirocco								
	ENERGY STAR Qualified	Yes								
Installation	Duct Diameter (Inches)	6								
	Mounting Opening (Inches sq.)	10-1/2								
	Grille Size (Inches sq.)	13								
Light Specifications	Lamp Watts	10								
	Lumens (lm)	700lm per lamp*								
	Lumens Per Watt (LPW)	70LPW*								
	Color Rendering Index	90								
	Color Temperature (Kelvin)	3,000K								
	Rated Life (hours)	50,000								
	Lamp Model #	N/A								
Type of Lamp Socket	LED chip									
Night Light Specs	Night Light Watts	0.2								
Shipping	Gross Weight (lbs)	12.55								
Approved Code/Standard/Regulation	UL tub/Shower Enclosure	Yes								
	Washington VIAQ Code	Yes								
	Wall installation	No								
	California Title 24 Compliant	Yes								
	Mfg in ISO 9001 Certified Facility	Yes								

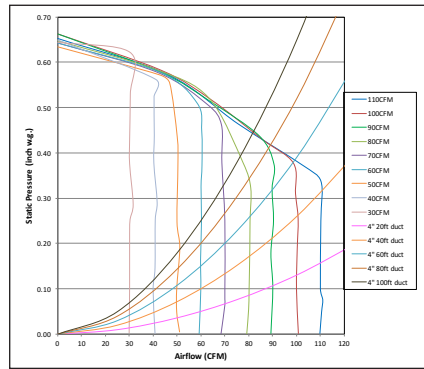
0.375=Installed Performance

**FV-0511VKSL2**

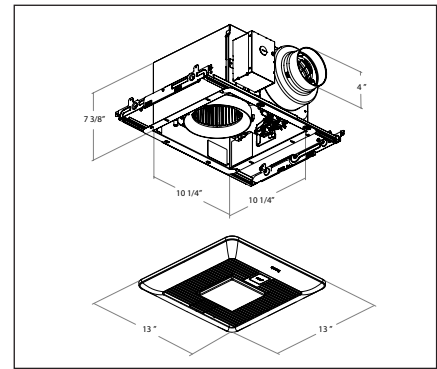
Ventilation Fan with LED Light and Pre-Installed Multi-Speed



**FV-0511VKSL2**



**FV-0511VKSL2**



Specifications		WhisperGreen <sup>®</sup> Select™ (Fan/LED Light)														
		Base Fan with LED Light and Pre-Installed Multi-Speed														
		FV-0511VKSL2														
Characteristics (HVI tested data for 0.1" S.P.)	Static Pressure in inches w.g.	0.1	0.25	0.375	0.1	0.25	0.375	0.1	0.25	0.375	0.1	0.25	0.375	0.1	0.25	
	Air Volume (CFM)	110	110	103	100	101	99	90	90	90	80	80	78	70	70	
	Noise (sones)	0.4	0.8	-	<0.3	0.8	-	<0.3	0.6	-	<0.3	0.5	-	<0.3	0.5	
	Power Consumption (watts)	10.5	15.8	19.4	8.2	13.6	18.0	6.7	11.6	15.9	5.3	9.9	13.8	4.6	8.7	
	Energy Efficiency (CFM/Watt)	10.5	6.9	5.2	12.2	7.4	5.5	13.5	7.8	5.7	15.3	8.2	5.6	15.8	8.4	
	Speed (RPM)	958	1203	1375	908	1194	1372	868	1160	1357	811	1127	1341	785	1118	
	Current (amps)	0.11	0.16	0.19	0.09	0.14	0.18	0.08	0.12	0.16	0.06	0.10	0.14	0.06	0.10	
	MAX. Current (amps)	0.19														
	Power Rating (V/Hz)	120/60														
Specifications	Motor Type	ECM														
	Type of Motor Bearing	Ball														
	Thermal Fuse Protection	Yes														
	Blower Wheel Type	Sirocco														
	ENERGY STAR Qualified	Yes														
Installation	Duct Diameter (Inches)	4 & 6														
	Mounting Opening (Inches sq.)	10-1/2														
	Grille Size (Inches sq.)	13														
Light Specifications	Lamp Watts	10W														
	Lumens (lm)	700lm per lamp*														
	Lumens Per Watt (LPW)	70LPW*														
	Color Rendering Index	90														
	Color Temperature (Kelvin)	3,000K														
	Rated Life (hours)	50,000														
	Lamp Model #	N/A														
Type of Lamp Socket	LED chip															
Night Light Specs	Night Light Watts	0.2														
Shipping	Gross Weight (lbs)	12.5														
Approved Code/Standard/ Regulation	UL tub/Shower Enclosure	Yes														
	Washington VIAQ Code	Yes														
	Wall installation	No														
	California Title 24 Compliant	Yes														
	Mfg in ISO 9001 Certified Facility	Yes														

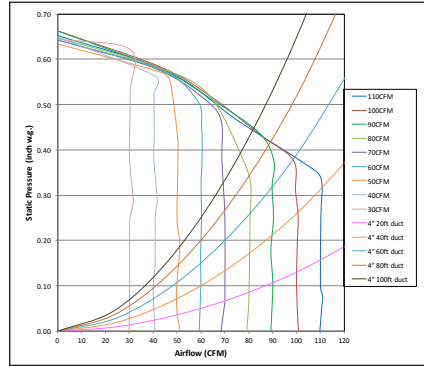
0.375=Installed Performance

**FV-0511VKSL2 (cont'd)**

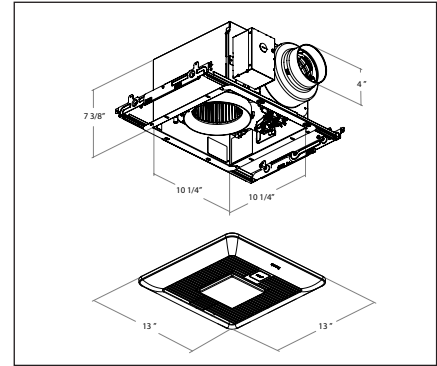
Ventilation Fan with LED Light and Pre-Installed Multi-Speed



**FV-0511VKSL2**



**FV-0511VKSL2**



Specifications		WhisperGreen <sup>®</sup> Select™ (Fan/LED Light)												
		Base Fan with LED Light and Pre-Installed Multi-Speed												
		FV-0511VKSL2												
Characteristics (HVI tested data for 0.1" S.P.)	Static Pressure in inches w.g.	0.375	0.1	0.25	0.375	0.1	0.25	0.375	0.1	0.25	0.375	0.1	0.25	0.375
	Air Volume (CFM)	69	60	60	60	50	50	50	40	41	40	30	30	30
	Noise (sones)	-	<0.3	0.4	-	<0.3	0.4	-	<0.3	0.4	-	<0.3	0.4	-
	Power Consumption (watts)	12.3	3.7	7.2	10.4	3.2	6.2	9.9	2.7	5.5	8.1	2.5	4.8	7.0
	Energy Efficiency (CFM/Watt)	5.8	16.2	8.4	5.8	15.7	8.1	5.1	14.8	7.4	4.9	12.0	6.3	4.3
	Speed (RPM)	1321	750	1082	1282	730	1066	1281	710	1062	1275	720	1067	1272
	Current (amps)	0.13	0.05	0.08	0.11	0.04	0.07	0.10	0.04	0.07	0.09	0.04	0.06	0.08
	MAX. Current (amps)	0.19												
	Power Rating (V/Hz)	120/60												
Specifications	Motor Type	ECM												
	Type of Motor Bearing	Ball												
	Thermal Fuse Protection	Yes												
	Blower Wheel Type	Sirocco												
	ENERGY STAR Qualified	Yes												
Installation	Duct Diameter (Inches)	4 & 6												
	Mounting Opening (Inches sq.)	10-1/2												
	Grille Size (Inches sq.)	13												
Light Specifications	Lamp Watts	10W												
	Lumens (lm)	700lm per lamp*												
	Lumens Per Watt (LPW)	70LPW*												
	Color Rendering Index	90												
	Color Temperature (Kelvin)	3,000K												
	Rated Life (hours)	50,000												
	Lamp Model #	N/A												
Type of Lamp Socket	LED chip													
Night Light Specs	Night Light Watts	0.2												
Shipping	Gross Weight (lbs)	12.5												
Approved Code/Standard/ Regulation	UL tub/Shower Enclosure	Yes												
	Washington VIAQ Code	Yes												
	Wall installation	No												
	California Title 24 Compliant	Yes												
Mfg in ISO 9001 Certified Facility	Yes													

0.375=Installed Performance

**FV-1115VK2 + FV-VS15VK1**

Ventilation Fan with Multi-Speed Plug 'N Play Module



Specifications		WhisperGreen <sup>®</sup> Select™ (Fan Only)															
		Base Fan with Multi-Speed Plug 'N Play Module															
		FV-1115VK2 + FV-VS15VK1															
Characteristics (HVI tested data for 0.1" S.P.)	Static Pressure in inches w.g.	0.1	0.25	0.375	0.1	0.25	0.375	0.1	0.25	0.375	0.1	0.25	0.375	0.1	0.25	0.375	
	Air Volume (CFM)	150	151	132	130	130	124	120	120	122	110	112	105	100	100	97	
	Noise (sones)	<0.3	0.7	-	<0.3	0.4	-	<0.3	0.3	-	<0.3	0.3	-	<0.3	0.2	-	
	Power Consumption (watts)	12.9	22.0	24.4	9.2	16.5	22.1	7.7	14.0	20.5	6.9	12.8	17.9	5.5	11.0	16.0	
	Energy Efficiency (CFM/Watt)	11.7	6.8	5.4	14.2	7.9	5.6	15.7	8.6	6.0	16.0	8.7	5.8	18.2	9.1	6.0	
	Speed (RPM)	684	916	1084	645	900	1080	633	895	1086	625	894	1083	615	898	1093	
	Current (amps)	0.14	0.22	0.24	0.10	0.17	0.22	0.09	0.15	0.21	0.08	0.13	0.18	0.07	0.12	0.16	
	MAX. Current (amps)	0.24															
	Power Rating (V/Hz)	120/60															
	Specifications	Motor Type	ECM														
Type of Motor Bearing		Ball															
Thermal Fuse Protection		Yes															
Blower Wheel Type		Sirocco															
ENERGY STAR Qualified		Yes															
Installation	Duct Diameter (Inches)	6															
	Mounting Opening (Inches sq.)	10-1/2															
	Grille Size (Inches sq.)	13															
Light Specifications	Lamp Watts	N/A															
	Lumens (lm)	N/A															
	Lumens Per Watt (LPW)	N/A															
	Color Rendering Index	N/A															
	Color Temperature (Kelvin)	N/A															
	Rated Life (hours)	N/A															
	Lamp Model #	N/A															
Type of Lamp Socket	N/A																
Night Light Specs	Night Light Watts	N/A*															
Shipping	Gross Weight (lbs)	11.95															
Approved Code/Standard/ Regulation	UL tub/Shower Enclosure	Yes															
	Washington VIAQ Code	Yes															
	Wall installation	No															
	California Title 24 Compliant	Yes															
	Mfg in ISO 9001 Certified Facility	Yes															

0.375=Installed Performance

**FV-1115VK2 + FV-VS15VK1 (cont'd)**  
Ventilation Fan with Multi-Speed Plug 'N Play Module



Specifications		WhisperGreen <sup>®</sup> Select™ (Fan Only)														
		Base Fan with Multi-Speed Plug 'N Play Module														
		FV-1115VK2 + FV-VS15VK1														
Characteristics (HVI tested data for 0.1" S.P.)	Static Pressure in inches w.g.	0.1	0.25	0.375	0.1	0.25	0.375	0.1	0.25	0.375	0.1	0.25	0.375	0.1	0.25	0.375
	Air Volume (CFM)	90	91	90	80	81	80	70	71	70	60	60	60	50	50	50
	Noise (sones)	<0.3	0.3	-	<0.3	0.3	-	<0.3	0.4	-	<0.3	0.4	-	<0.3	0.5	-
	Power Consumption (watts)	4.7	9.7	15.0	4.2	9.0	13.9	3.7	8.1	12.2	3.3	7.2	11.2	3.0	6.4	10.2
	Energy Efficiency (CFM/Watt)	19.1	9.3	6.0	19.0	9.0	5.7	19.2	8.8	5.8	18.2	8.3	5.3	17.3	8.1	5.1
	Speed (RPM)	602	900	1099	608	912	1104	591	914	1109	608	913	1117	609	910	1116
	Current (amps)	0.06	0.10	0.15	0.05	0.10	0.14	0.05	0.09	0.13	0.04	0.08	0.12	0.04	0.07	0.11
	MAX. Current (amps)	0.24														
	Power Rating (V/Hz)	120/60														
Specifications	Motor Type	ECM														
	Type of Motor Bearing	Ball														
	Thermal Fuse Protection	Yes														
	Blower Wheel Type	Sirocco														
	ENERGY STAR Qualified	Yes														
Installation	Duct Diameter (Inches)	6														
	Mounting Opening (Inches sq.)	10-1/2														
	Grille Size (Inches sq.)	13														
Light Specifications	Lamp Watts	N/A														
	Lumens (lm)	N/A														
	Lumens Per Watt (LPW)	N/A														
	Color Rendering Index	N/A														
	Color Temperature (Kelvin)	N/A														
	Rated Life (hours)	N/A														
	Lamp Model #	N/A														
Night Light Specs	Type of Lamp Socket	N/A														
	Night Light Watts	N/A*														
Shipping	Gross Weight (lbs)	11.95														
Approved Code/Standard/ Regulation	UL tub/Shower Enclosure	Yes														
	Washington VIAQ Code	Yes														
	Wall installation	No														
	California Title 24 Compliant	Yes														
	Mfg in ISO 9001 Certified Facility	Yes														

0.375=Installed Performance

**FV-1115VKL2 + FV-VS15VK1**

Ventilation Fan with LED Light and Multi-Speed Plug 'N Play Module



Specifications		WhisperGreen <sup>®</sup> Select™ (Fan/LED Light)															
		Base Fan with LED Light and Multi-Speed Plug 'N Play Module															
		FV-1115VKL2 + FV-VS15VK1															
Characteristics (HVI tested data for 0.1" S.P.)	Static Pressure in inches w.g.	0.1	0.25	0.375	0.1	0.25	0.375	0.1	0.25	0.375	0.1	0.25	0.375	0.1	0.25	0.375	
	Air Volume (CFM)	150	150	127	130	130	131	120	120	118	110	110	107	100	100	99	
	Noise (sones)	0.4	0.8	-	<0.3	0.5	-	<0.3	0.4	-	<0.3	0.3	-	<0.3	0.3	-	
	Power Consumption (watts)	14.9	22.5	23.8	10.4	17.9	25.4	8.4	15.3	21.9	7.5	13.4	18.8	6.0	11.4	16.5	
	Energy Efficiency (CFM/Watt)	10.1	6.7	5.3	12.5	7.2	5.1	14.2	7.8	5.4	14.6	8.2	5.7	16.7	8.8	6.0	
	Speed (RPM)	722	951	1105	682	932	1113	670	922	1106	648	916	1108	636	917	1105	
	Current (amps)	0.15	0.22	0.23	0.11	0.18	0.25	0.09	0.16	0.21	0.08	0.14	0.19	0.07	0.12	0.17	
	MAX. Current (amps)	0.23															
	Power Rating (V/Hz)	120/60															
Specifications	Motor Type	ECM															
	Type of Motor Bearing	Ball															
	Thermal Fuse Protection	Yes															
	Blower Wheel Type	Sirocco															
	ENERGY STAR Qualified	Yes															
Installation	Duct Diameter (Inches)	6															
	Mounting Opening (Inches sq.)	10-1/2															
	Grille Size (Inches sq.)	13															
Light Specifications	Lamp Watts	10W															
	Lumens (lm)	700lm per lamp*															
	Lumens Per Watt (LPW)	70LPW*															
	Color Rendering Index	90															
	Color Temperature (Kelvin)	3,000K															
	Rated Life (hours)	50,000															
	Lamp Model #	N/A															
Night Light Specs	Type of Lamp Socket	LED chip															
Night Light Specs	Night Light Watts	0.2															
Shipping	Gross Weight (lbs)	12.55															
Approved Code/Standard/ Regulation	UL tub/Shower Enclosure	Yes															
	Washington VIAQ Code	Yes															
	Wall installation	No															
	California Title 24 Compliant	Yes															
	Mfg in ISO 9001 Certified Facility	Yes															

0.375=Installed Performance

**FV-1115VKL2 + FV-VS15VK1 (cont'd)**

Ventilation Fan with LED Light and Multi-Speed Plug 'N Play Module



Specifications		WhisperGreen <sup>®</sup> Select™ (Fan/LED Light)															
		Base Fan with LED Light and Multi-Speed Plug 'N Play Module															
		FV-1115VKL2 + FV-VS15VK1															
Characteristics (HVI tested data for 0.1" S.P.)	Static Pressure in inches w.g.	0.1	0.25	0.375	0.1	0.25	0.375	0.1	0.25	0.375	0.1	0.25	0.375	0.1	0.25	0.375	
	Air Volume (CFM)	90	91	92	80	80	80	70	70	70	60	61	60	50	52	53	
	Noise (sones)	<0.3	0.3	-	<0.3	0.3	-	<0.3	0.4	-	<0.3	0.4	-	<0.3	0.5	-	
	Power Consumption (watts)	5.0	10.0	15.3	4.6	9.0	13.7	3.8	8.2	12.2	3.3	7.1	11.7	3.1	6.6	10.3	
	Energy Efficiency (CFM/Watt)	18.2	9.2	6.0	17.4	8.9	5.8	18.5	8.6	5.7	18.2	8.5	5.1	16.7	7.9	5.1	
	Speed (RPM)	627	914	1102	625	910	1107	613	920	1113	610	912	1126	621	922	1109	
	Current (amps)	0.06	0.11	0.16	0.06	0.10	0.14	0.05	0.09	0.13	0.04	0.08	0.13	0.04	0.08	0.11	
	MAX. Current (amps)	0.23															
	Power Rating (V/Hz)	120/60															
Specifications	Motor Type	ECM															
	Type of Motor Bearing	Ball															
	Thermal Fuse Protection	Yes															
	Blower Wheel Type	Sirocco															
	ENERGY STAR Qualified	Yes															
Installation	Duct Diameter (Inches)	6															
	Mounting Opening (Inches sq.)	10-1/2															
	Grille Size (Inches sq.)	13															
Light Specifications	Lamp Watts	10W															
	Lumens (lm)	700lm per lamp*															
	Lumens Per Watt (LPW)	70LPW*															
	Color Rendering Index	90															
	Color Temperature (Kelvin)	3,000K															
	Rated Life (hours)	50,000															
	Lamp Model #	N/A															
Type of Lamp Socket	LED chip																
Night Light Specs	Night Light Watts	0.2															
Shipping	Gross Weight (lbs)	12.55															
Approved Code/Standard/ Regulation	UL tub/Shower Enclosure	Yes															
	Washington VIAQ Code	Yes															
	Wall installation	No															
	California Title 24 Compliant	Yes															
	Mfg in ISO 9001 Certified Facility	Yes															

0.375=Installed Performance



**Panasonic Eco Solutions of North America**  
**Eco Products Division**  
Two Riverfront Plaza  
Newark, NJ 07102  
[us.panasonic.com/ventfans](http://us.panasonic.com/ventfans)

**For Order Information**  
PHONE: 866-292-7299  
FAX: 888-553-0723  
[ventfans@us.panasonic.com](mailto:ventfans@us.panasonic.com)