



# 30-INCH MICROWAVE-IN-A-DRAWER

RNMD30S | HERITAGE COLLECTION



## AVAILABLE MODELS

RNMD30S 30" Heritage Microwave-in-a Drawer - Stainless Steel

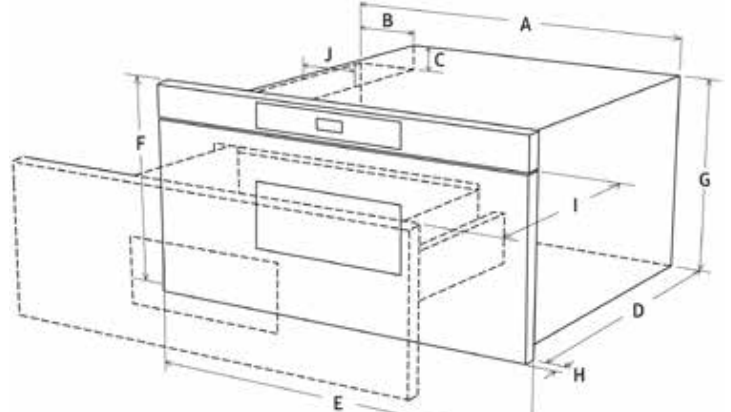
## GENERAL PROPERTIES

|                    |                 |
|--------------------|-----------------|
| FINISH             | STAINLESS STEEL |
| INTERIOR CAPACITY: | 1.2 CU. FT.     |

## ACCESSORIES

|                        |          |
|------------------------|----------|
| FLUSH INSTALLATION KIT | ARNMDF30 |
|------------------------|----------|

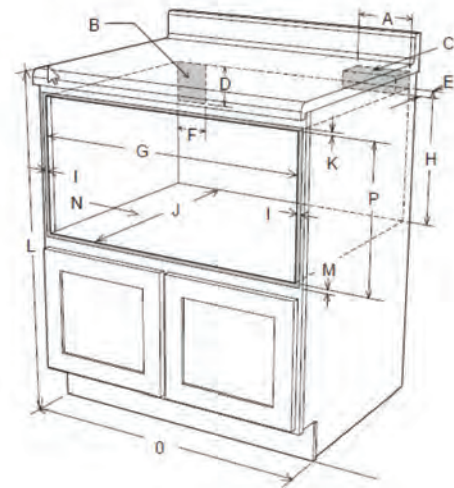
## PRODUCT DIMENSIONS



|    |         |    |                            |
|----|---------|----|----------------------------|
| A. | 215/8"  | F. | 157/8"                     |
| B. | 411/16" | G. | 1419/32"                   |
| C. | 13/4"   | H. | 19/64" door thickness      |
| D. | 217/8"  | I. | 151/4" auto drawer opening |
| E. | 30"     | J. | 4"                         |

## FEATURES & BENEFITS

- Drawer Configuration for under the counter installations.
- Automatic Drawer Opening for easy loading and unloading.
- Beverage Center enables you to restore coffee or tea to a suitable drinking temperature or to make instant coffee or tea.
- Sensor Cooking in three easy steps prepares your selected food choice.
- Multiple Sequence Cooking programs up to 4 automatic cooking sequences, switching from one power level setting to another automatically.
- Keep Warm keeps food warm up to 30 minutes.
- Easy Minute allows you to cook for a minute at 100% by simply touching the Easy Minute key.
- Automatic Start lets you program the microwave to begin cooking automatically at a designated time of day.
- Control Lock prevents unwanted operation, such as by small children, and can be set so that the control panel is deactivated or locked.
- 950 Watts



|    |                                       |    |                                     |
|----|---------------------------------------|----|-------------------------------------|
| A. | 6"                                    | I. | Allow 23/32" minimum overlap        |
| B. | Power outlet location                 | J. | 23 1/2" minimum depth               |
| C. | Anti-tip block                        | K. | Allow 3/16" minimum overlap         |
| D. | 5"                                    | L. | 36" nominal countertop height       |
| E. | 3 1/2"                                | M. | Allow 1/8" minimum overlap          |
| F. | 4"                                    | N. | Floor must support 100 lbs. minimum |
| G. | 28 7/16" opening                      | O. | 30" cabinet minimum                 |
| H. | 14 13/16" to bottom of anti-tip block | P. | 15 9/16" opening                    |

NOTE: Open-top cabinet shown

\*All tolerances: ±/ - 1/16 (+/-1.6MM) unless otherwise stated.