

# 1B

dyson airblade wash+dry



+



=



Installation Drawings

Схеми За Монтаж

Esquema Da Instalação

Schémas D'installation

安装图纸

Instalační Výkresy

Installationszeichnungen

Installationstegninger

Diseños De Instalación

Asennuspiirustusset

Schémas D'installation

Σχεδια Για Την

Εγκατάσταση

Szerelési Rajzok

Instalacijski Nacrti

Gambar Pemasangan

איורי התקנה

Teikningar Vegna

Uppsetningar

Schemi Di Installazione

取り付け図

설치 그림

Lukisan Pemasangan

Installatietekeningen

Installasjonstegninger

Rysunki Montażowe

Desenhos De Instalação

Scheme Electriche

Изображения

Установки

رسومات التركيب

Installationsritningar

Slike Za Montažo

Nákresy K Montáži

ภาพประกอบการติดตั้ง

Kurulum Çizimleri

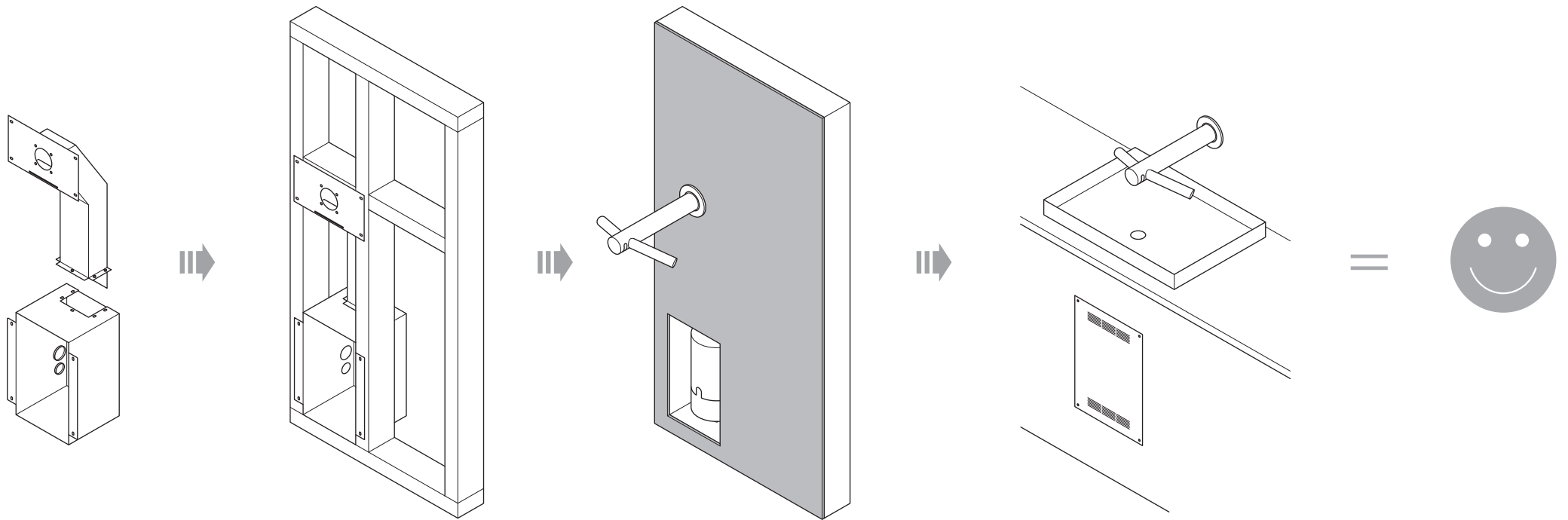
安裝圖紙

Монтажні Креслення

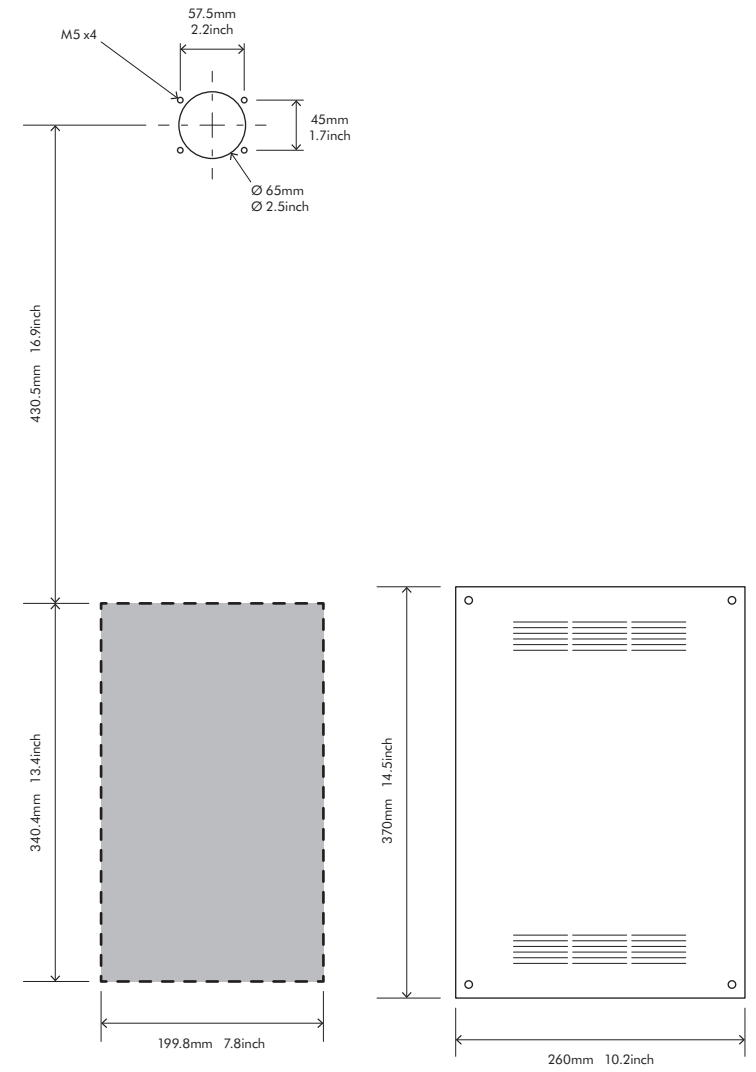
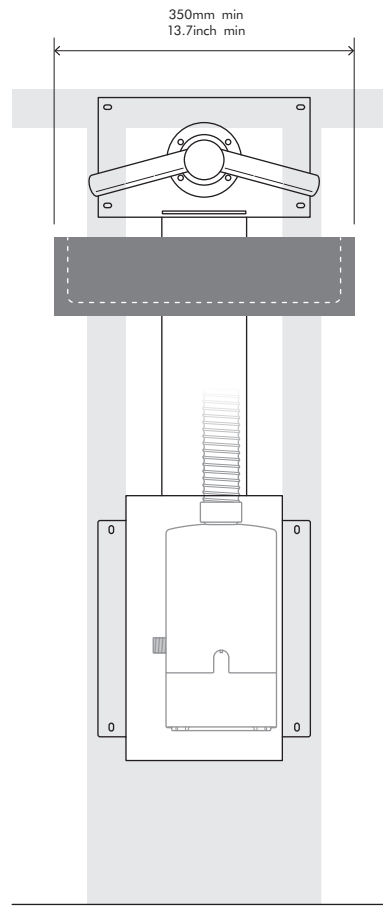
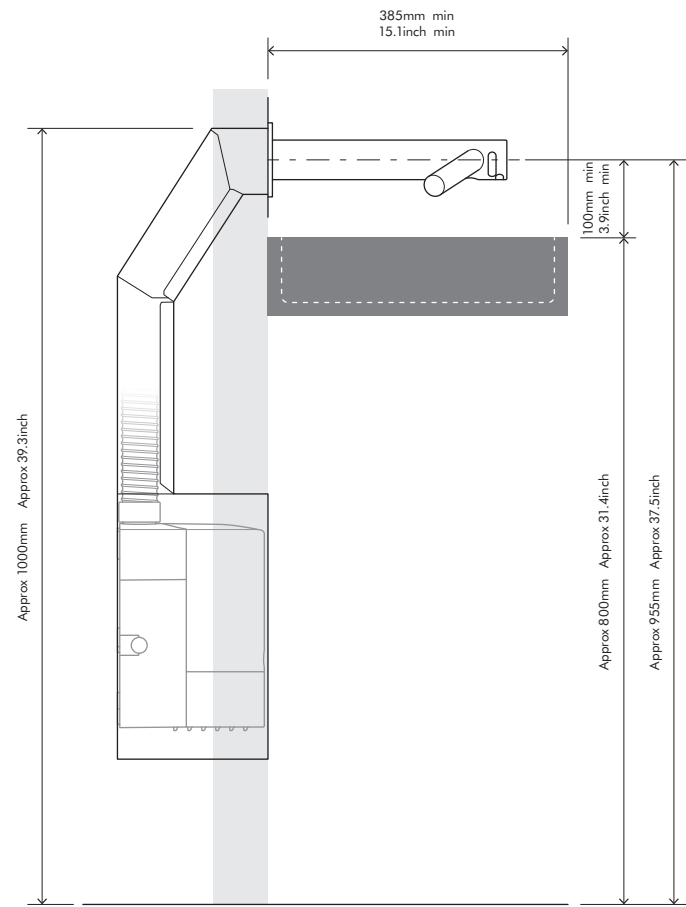
Dibujos De La

Instalación

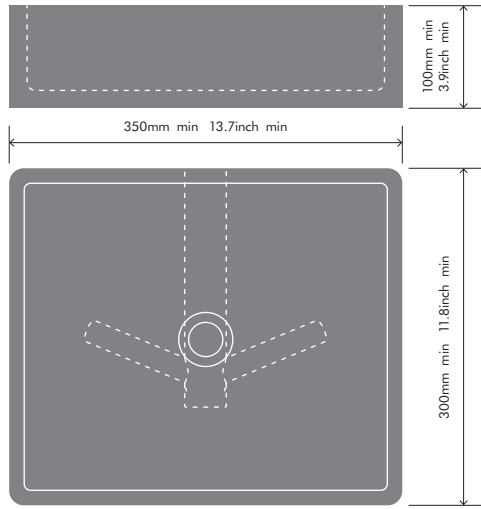
A(i)



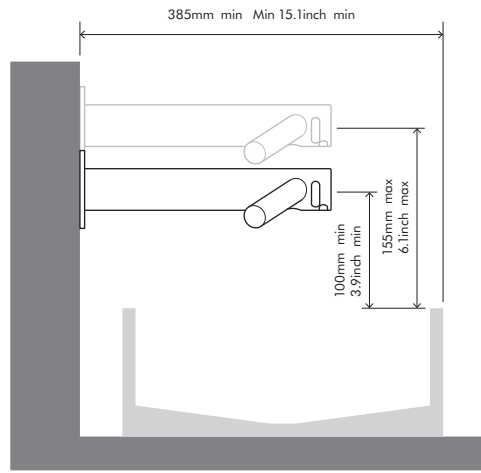
A(ii)



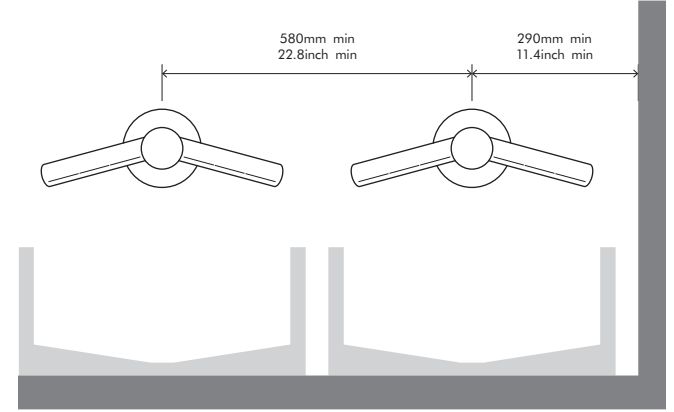
B



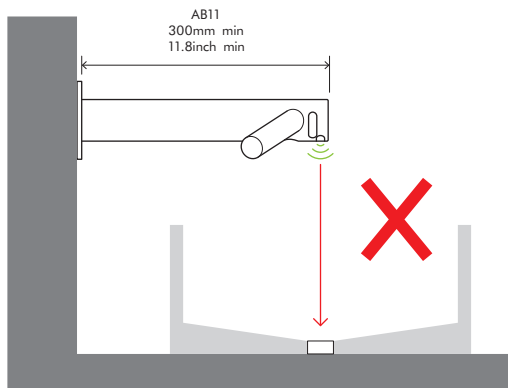
C



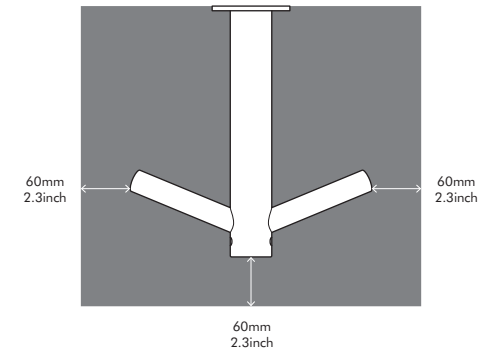
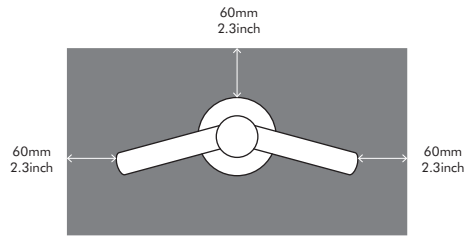
D



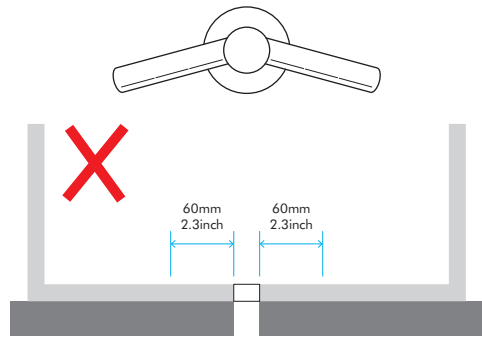
E



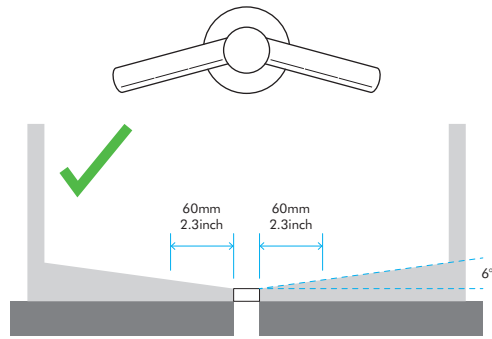
F



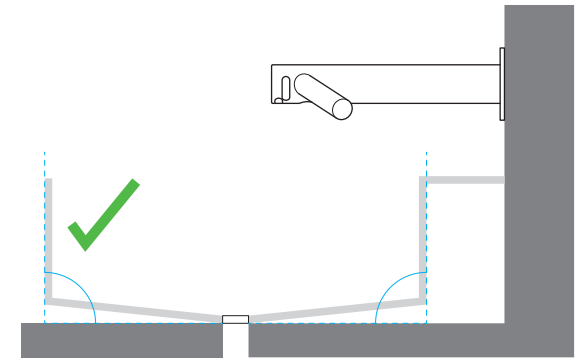
G



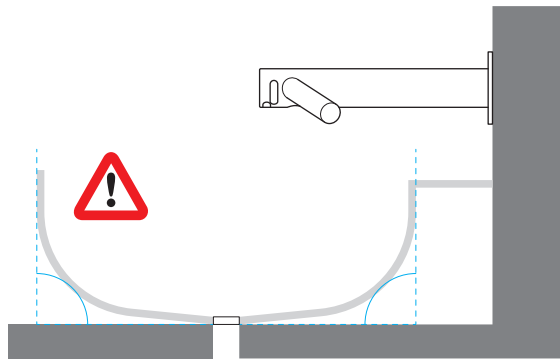
H



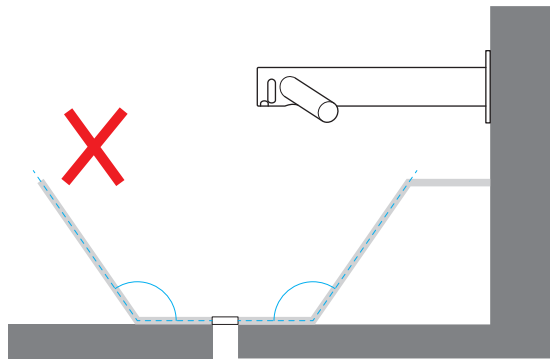
I



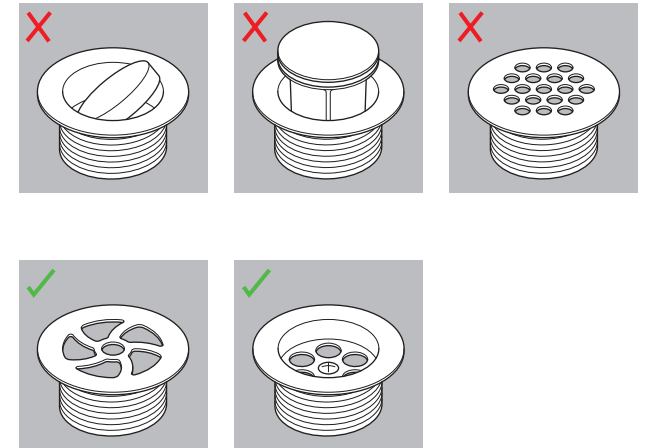
J



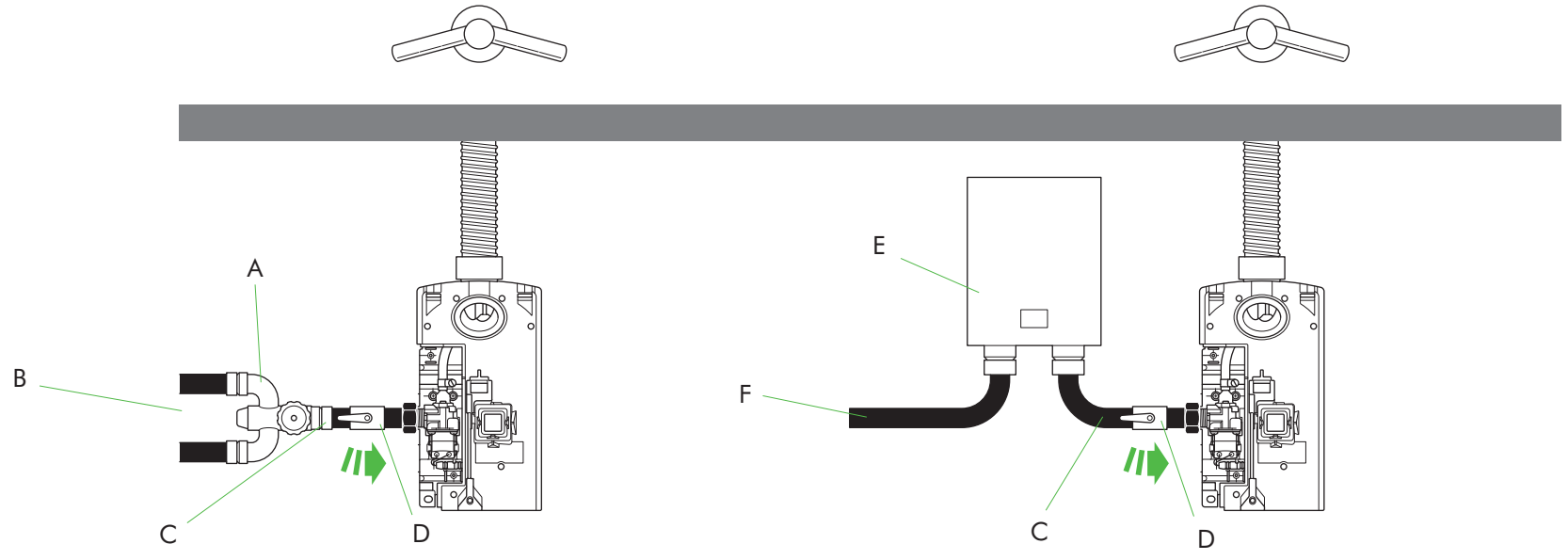
K



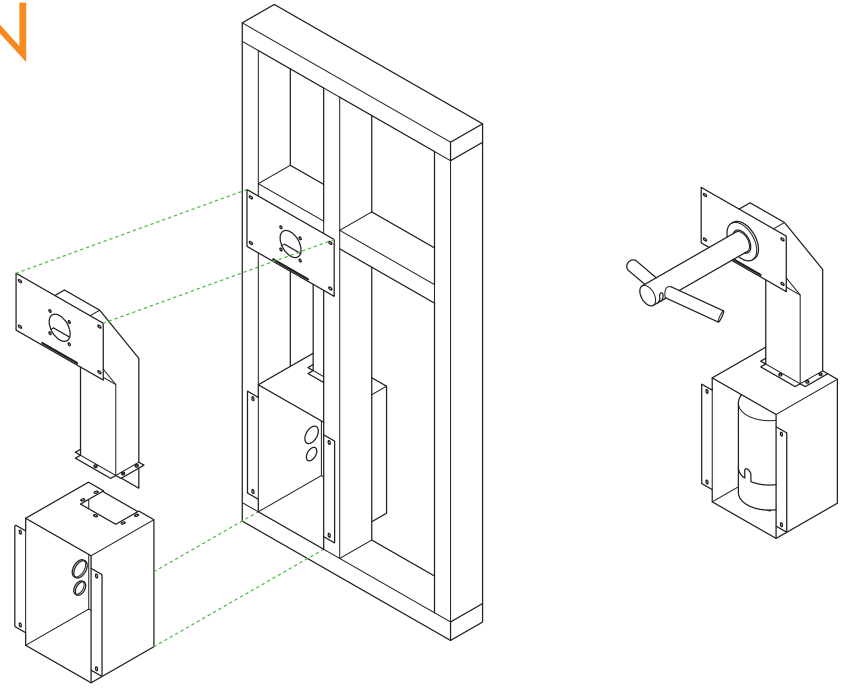
L



M



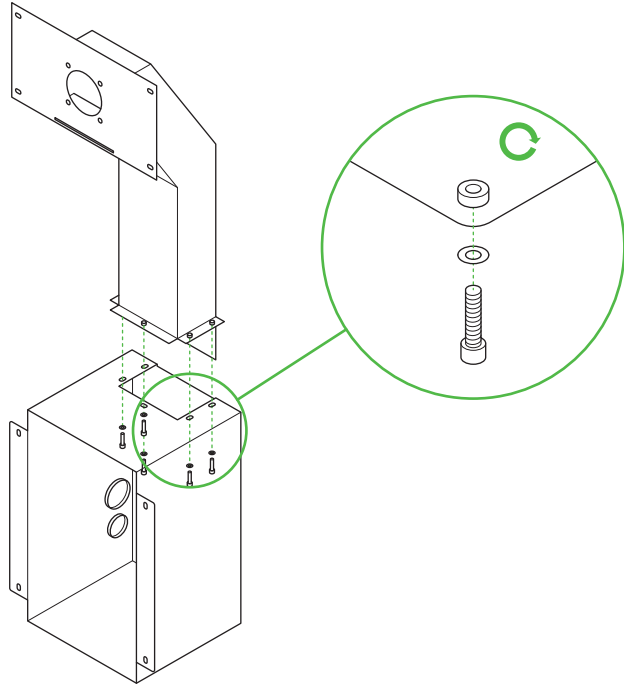
N



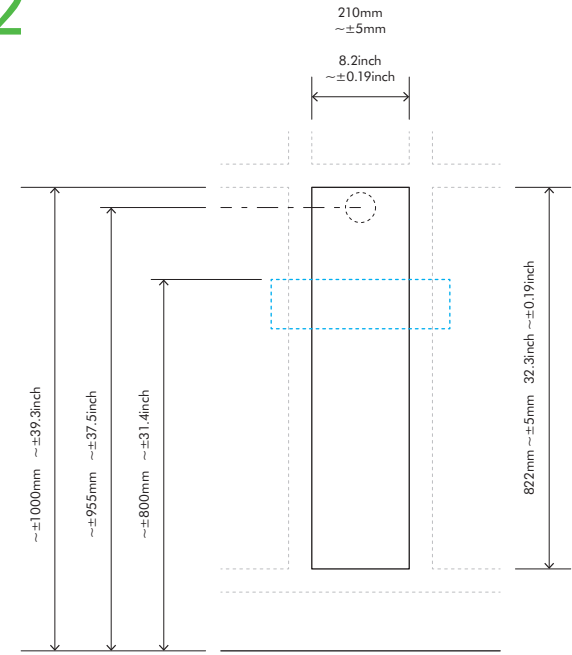
1

x5  


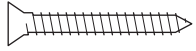
x5 

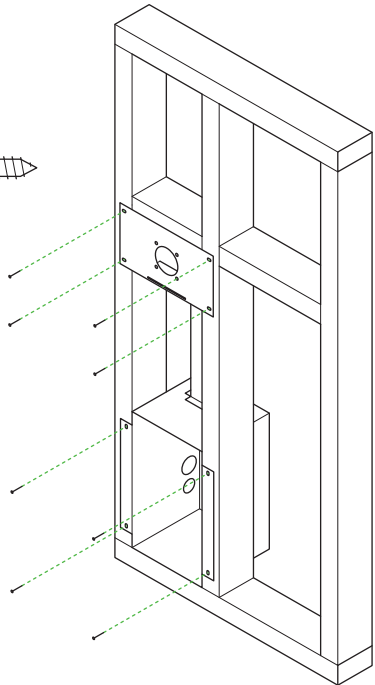


2

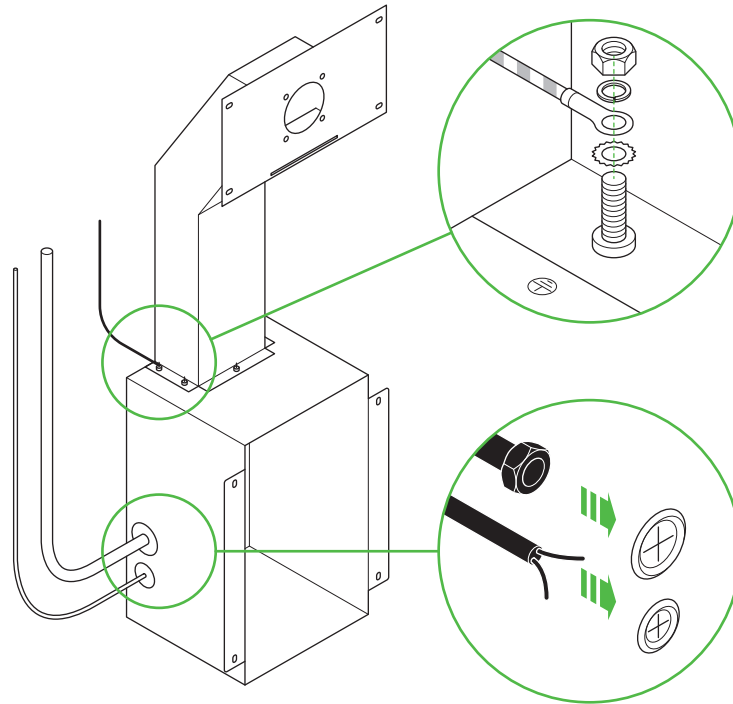


3

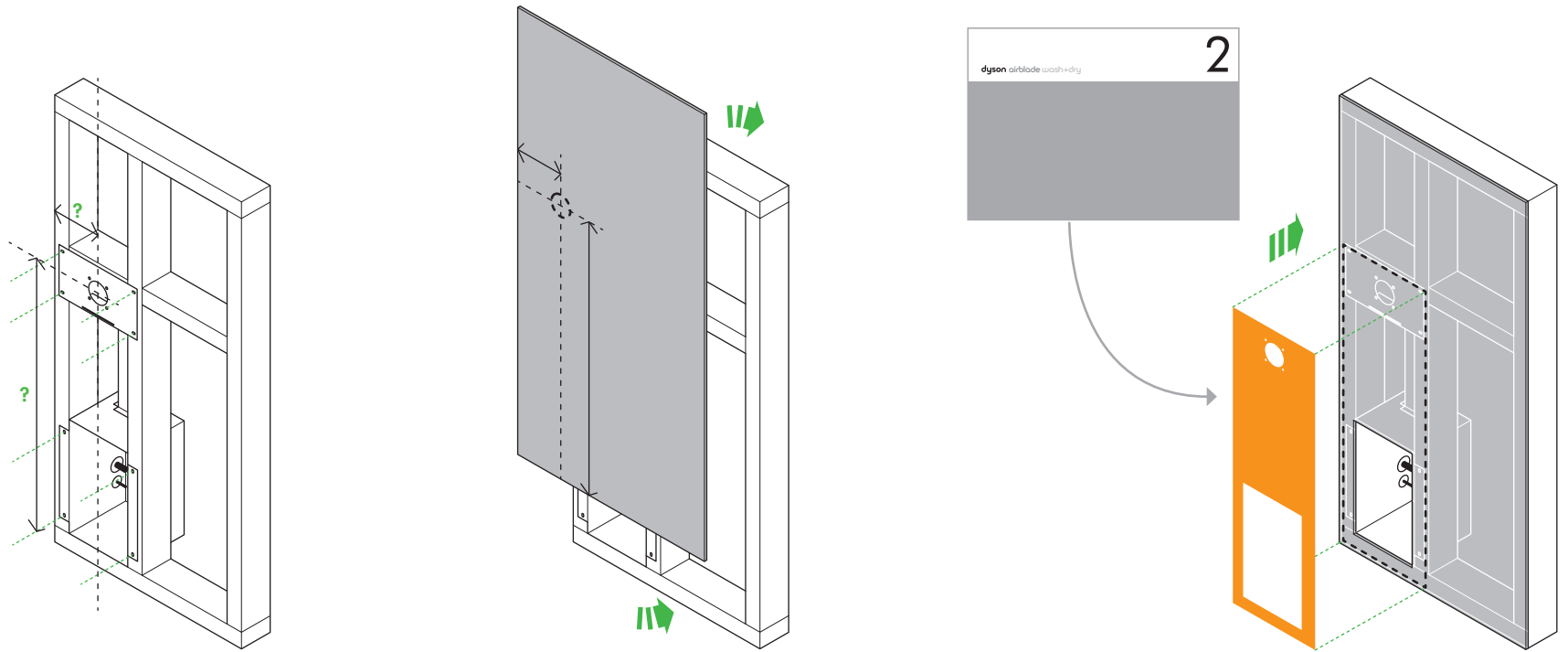
x8  



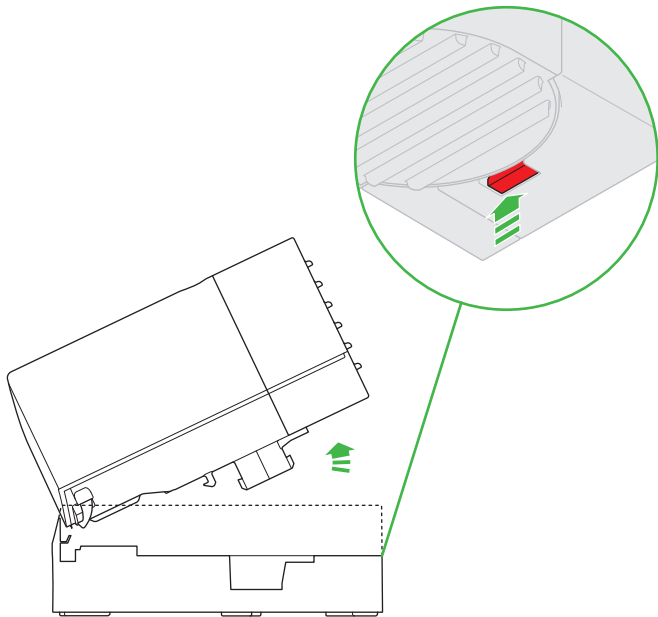
4



5

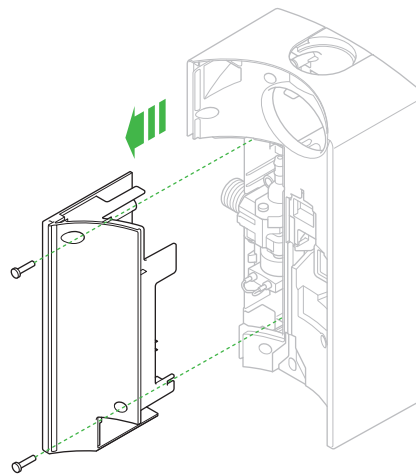


6a



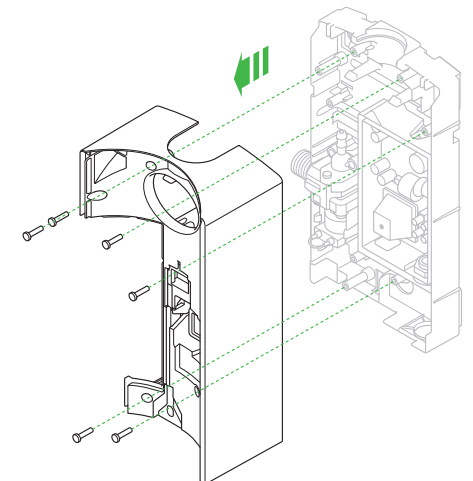
6b

x2  




6c

x6  

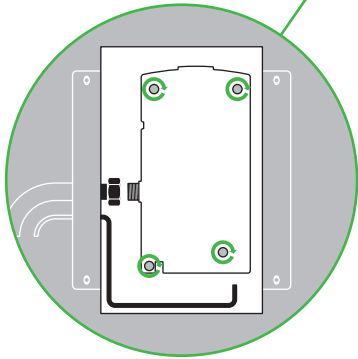
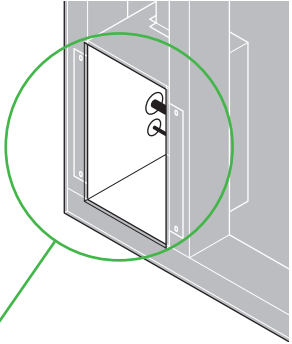




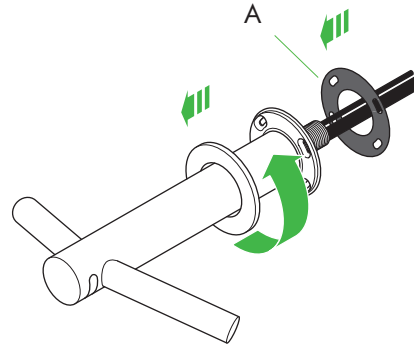
7

x4 

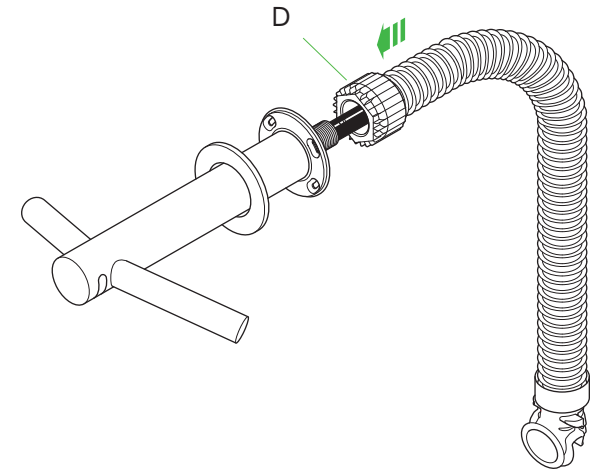
x4 



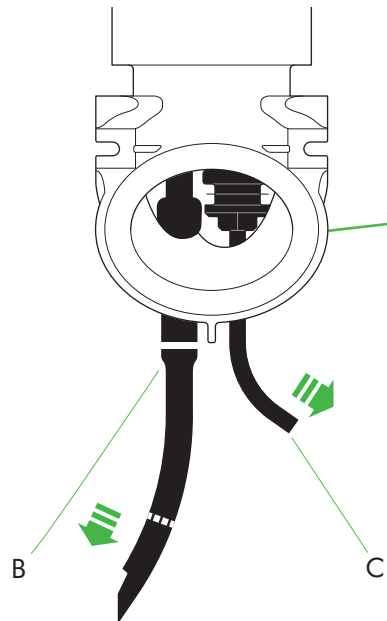
8a



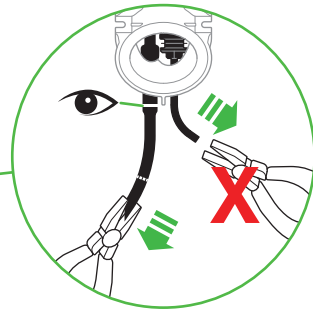
8b



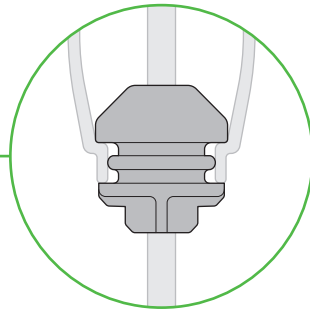
8c



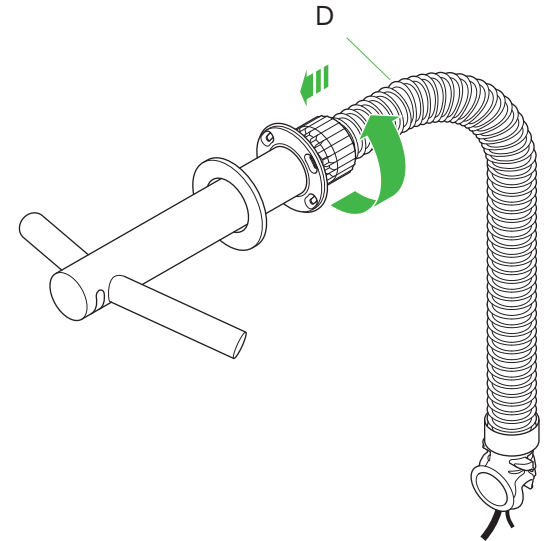
8d



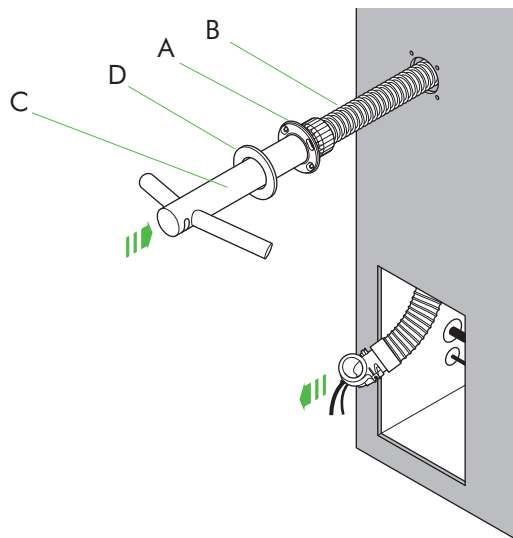
8e



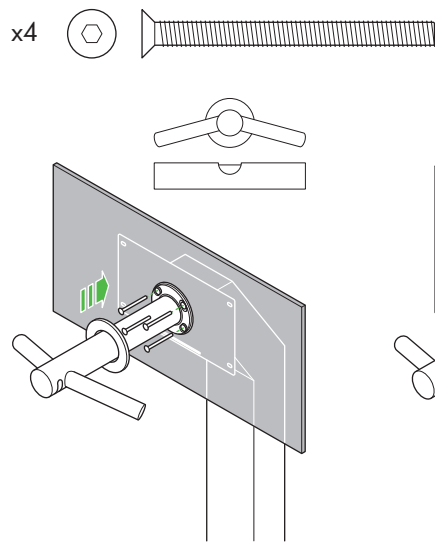
8f



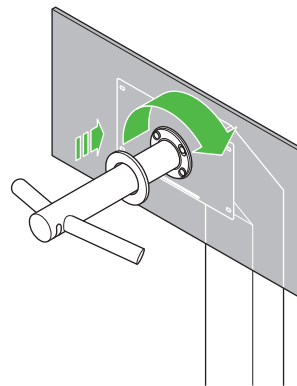
9a



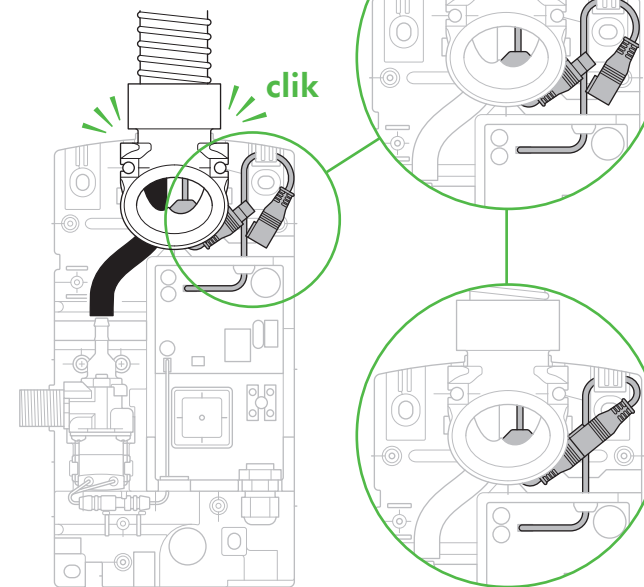
9b



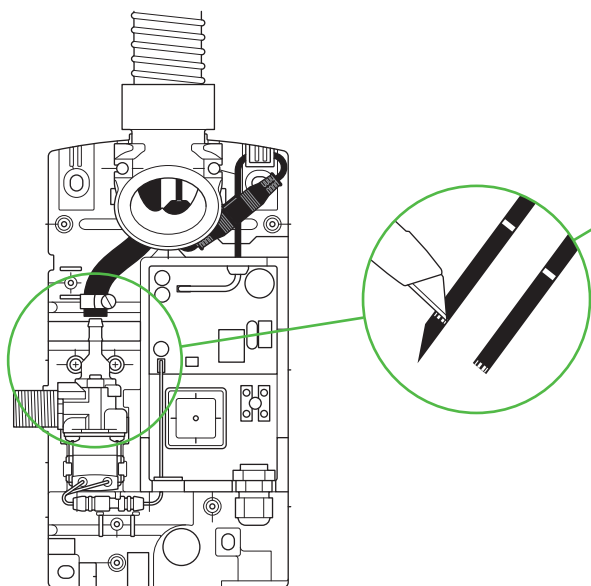
9c



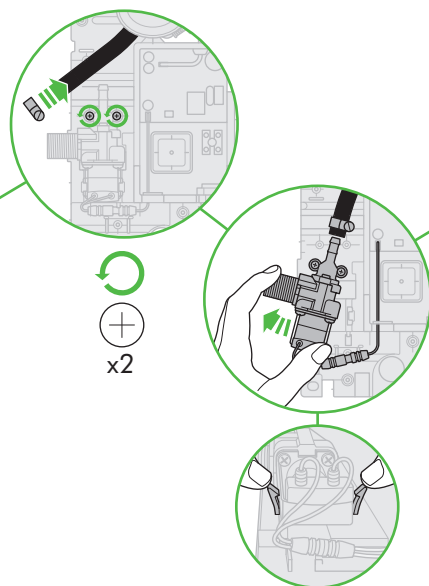
10



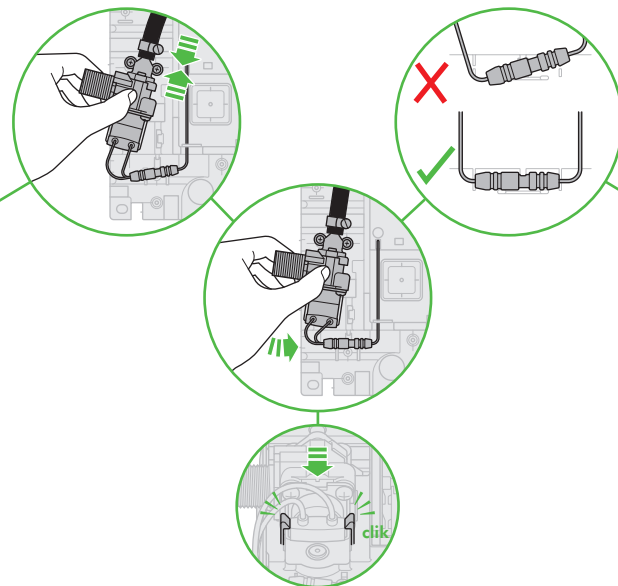
11a



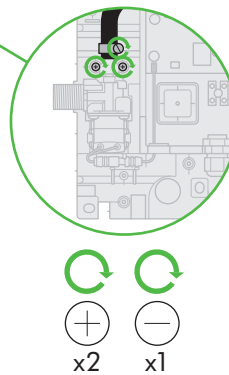
11b



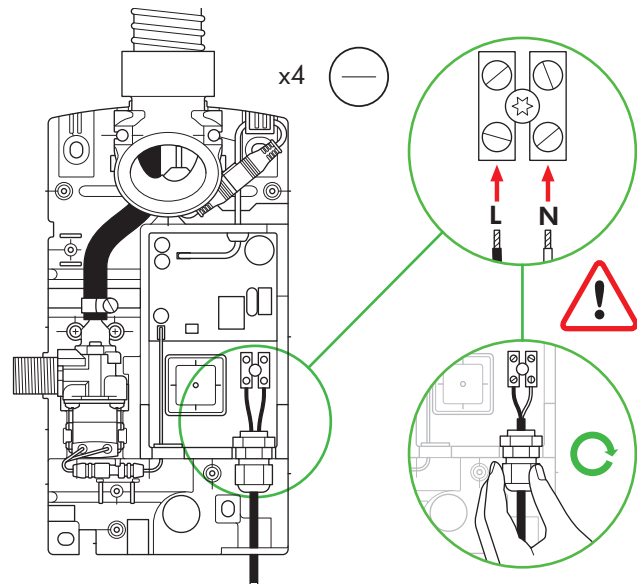
11c



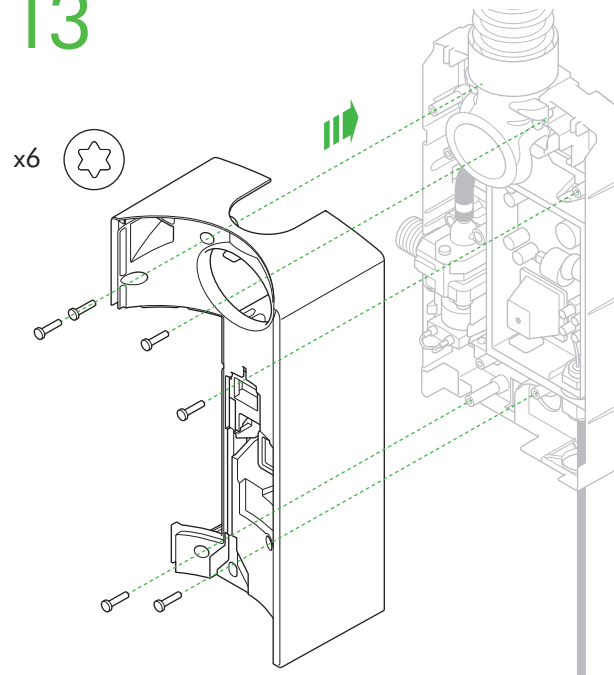
11d



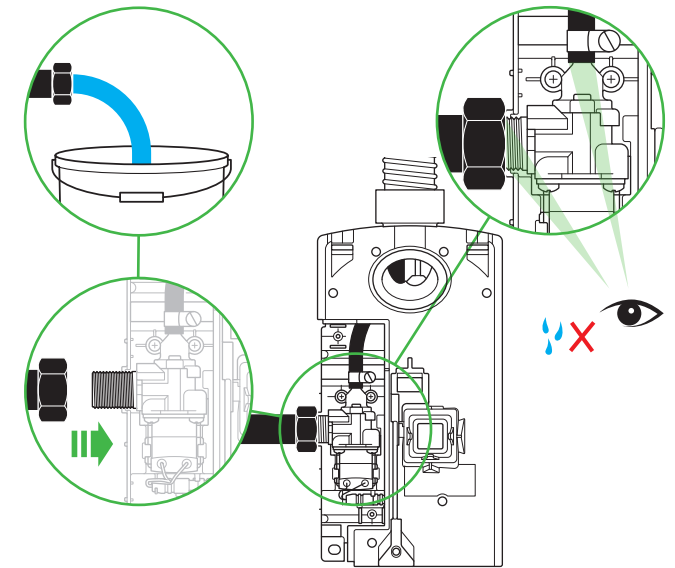
12



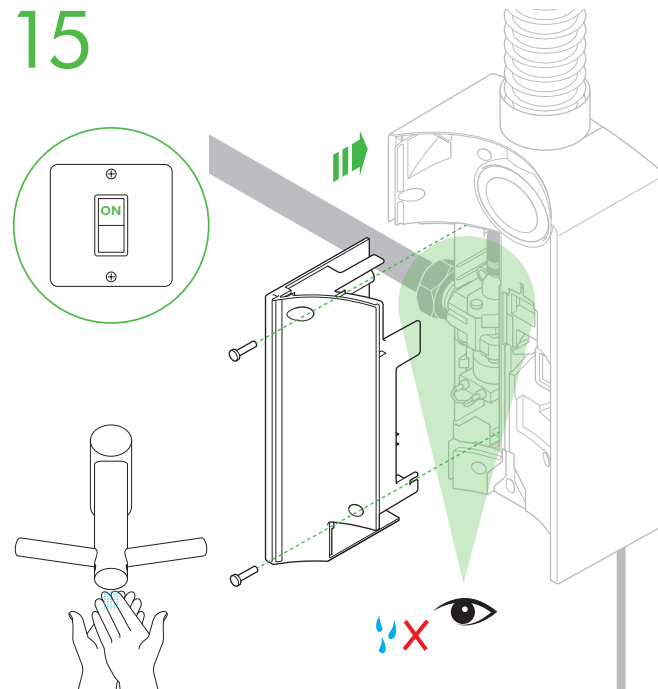
13



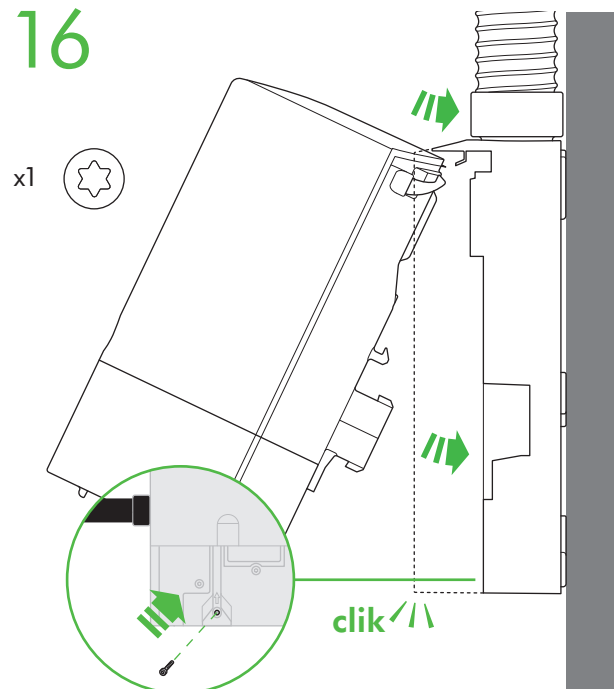
14



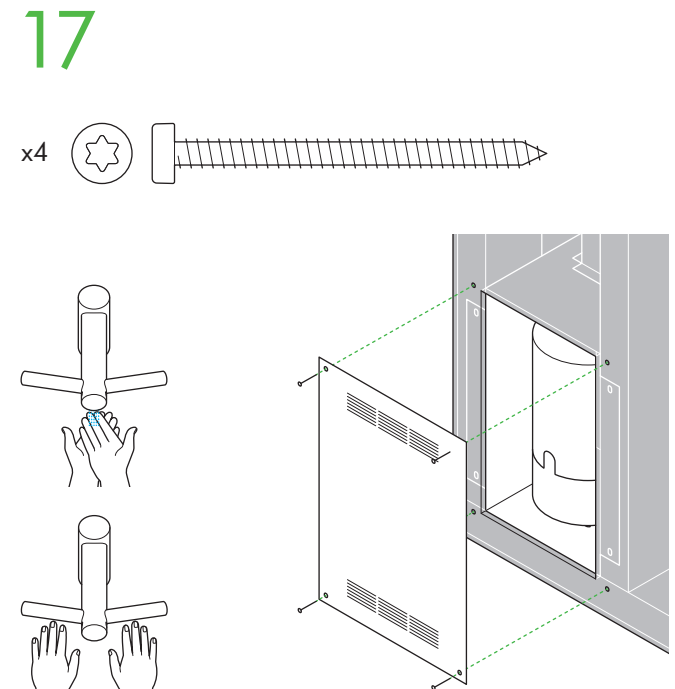
15



16



17



## Dyson Customer care

[www.dyson.com](http://www.dyson.com)

UK	(+44) 0800 345 7788 <a href="http://www.dyson.co.uk">www.dyson.co.uk</a>	CY	(+357) 24 532 220 <a href="http://www.dyson.cy">www.dyson.cy</a>	JP	(+81) 0120 295 731 <a href="http://www.dyson.co.jp">www.dyson.co.jp</a>	PT	(+351) 800 784 355 <a href="http://www.dyson.pt">www.dyson.pt</a>
ROI	(+353) 01 401 8300 <a href="http://www.dyson.ie">www.dyson.ie</a>	CZ	00800 777 55 777 <a href="http://www.dyson.cz">www.dyson.cz</a>	KR	(+82) 70 4066 0073 <a href="http://www.kr.dyson.com">www.kr.dyson.com</a>	QA	(+971) 4 507 6000 <a href="http://www.dyson.ae">www.dyson.ae</a>
AE	(+971) 4 507 6000 <a href="http://www.dyson.ae">www.dyson.ae</a>	DE	(+49) 0800 3131 319 <a href="http://www.dyson.de">www.dyson.de</a>	KW	(+971) 4 507 6000 <a href="http://www.dyson.ae">www.dyson.ae</a>	RO	(+40) 031 432 6140 <a href="http://www.dyson.com.ro">www.dyson.com.ro</a>
AR	(+1) 855 720 6378 <a href="http://www.dyson.com.ar">www.dyson.com.ar</a>	DK	(+45) 7025 2323 <a href="http://www.dyson.dk">www.dyson.dk</a>	LB	(+961) 1 252 474 <a href="http://www.lb.dyson.com">www.lb.dyson.com</a>	RU	(+7) 88 001 001 002 <a href="http://www.dyson.com.ru">www.dyson.com.ru</a>
AT	(+43) 0800 8866 7343 <a href="http://www.dyson.at">www.dyson.at</a>	ES	(+34) 900 803 650 <a href="http://www.dyson.es">www.dyson.es</a>	LU	(+32) 0800 62452 <a href="http://www.dyson.lu">www.dyson.lu</a>	SA	(+966) 920 005 759 <a href="http://www.sa.dyson.com">www.sa.dyson.com</a>
AU	(+61) 1800 426 337 <a href="http://www.dyson.com.au">www.dyson.com.au</a>	FI	(+358) 010 321 5080 <a href="http://www.fi.dyson.com">www.fi.dyson.com</a>	MO	(+86) 21 6020 0502 (+86) 138 1790 3027 <a href="http://www.dyson.cn">www.dyson.cn</a>	SE	(+45) 70 25 48 23 <a href="http://www.dyson.se">www.dyson.se</a>
BE	(+32) 0800 39 209 <a href="http://www.dyson.be">www.dyson.be</a>	FR	(+33) 0800 945 802 <a href="http://www.dyson.fr">www.dyson.fr</a>	MX	(+1) 855 720 6378 <a href="http://www.dyson.mx">www.dyson.mx</a>	SG	(+65) 6643 2999 <a href="http://www.dyson.com.sg">www.dyson.com.sg</a>
BG	(+359) 2 968 1111 <a href="http://www.dyson.bg">www.dyson.bg</a>	GR	(+30) 800 111 3500 <a href="http://www.gr.dyson.com">www.gr.dyson.com</a>	MY	(+603) 7710 5877 <a href="http://www.dyson.my">www.dyson.my</a>	SK	00800 777 55 777 <a href="http://www.dyson.sk">www.dyson.sk</a>
BH	(+971) 4 507 6000 <a href="http://www.dyson.ae">www.dyson.ae</a>	GT	(+1) 855 720 6378 <a href="http://www.dyson.gt">www.dyson.gt</a>	NL	(+31) 0800 020 6204 <a href="http://www.dyson.nl">www.dyson.nl</a>	SI	(+385) 01 3818 139 <a href="http://www.dyson.si">www.dyson.si</a>
BR	(+1) 855 720 6378 <a href="http://www.dyson.com.br">www.dyson.com.br</a>	HK	(+852) 2102 5503 <a href="http://www.dyson.hk">www.dyson.hk</a>	NO	(+47) 32 829 940 <a href="http://www.dyson.no">www.dyson.no</a>	TH	(+66) 2 628 2200 <a href="http://www.dyson.co.th">www.dyson.co.th</a>
CA	(+1) 877 397 6622 <a href="http://www.dysoncanada.ca">www.dysoncanada.ca</a>	HU	00800 777 55 777 <a href="http://www.dyson.hu">www.dyson.hu</a>	NZ	(+64) 0800 397 667 <a href="http://www.dyson.co.nz">www.dyson.co.nz</a>	TR	(+90) 850 532 11 44 <a href="http://www.dyson.com.tr">www.dyson.com.tr</a>
CH	(+41) 0848 807 817 <a href="http://www.dyson.ch">www.dyson.ch</a>	ID	(+65) 6643 2999 <a href="http://www.dyson.co.id">www.dyson.co.id</a>	OM	(+971) 4 507 6000 <a href="http://www.dyson.ae">www.dyson.ae</a>	TW	(+886) 2 8751 0599 <a href="http://www.dyson.tw">www.dyson.tw</a>
CL	(+1) 855 720 6378 <a href="http://www.dyson.cl">www.dyson.cl</a>	IL	(+972) 03 612 9401 <a href="http://www.dyson.co.il">www.dyson.co.il</a>	PA	(+1) 855 720 6378 <a href="http://www.dyson.com.pa">www.dyson.com.pa</a>	UA	(+ 38) 0 800 504-1800 <a href="http://www.dyson.com.ua">www.dyson.com.ua</a>
CN	(+86) 21 6020 0502 (+86) 138 1790 3027 <a href="http://www.dyson.cn">www.dyson.cn</a>	IN	(+65) 6643 2999 <a href="http://www.dyson.in">www.dyson.in</a>	PE	(+1) 855 720 6378 <a href="http://www.dyson.com.pe">www.dyson.com.pe</a>	US	(+1) 855 720 6378 <a href="http://www.dyson.com">www.dyson.com</a>
CO	(+1) 855 720 6378 <a href="http://www.dyson.co">www.dyson.co</a>	IT	(+39) 800 976 027 <a href="http://www.dyson.it">www.dyson.it</a>	PH	(+63) 2 243 1931 <a href="http://www.dyson.ph">www.dyson.ph</a>		
CR	(+1) 855 720 6378 <a href="http://www.dyson.cr">www.dyson.cr</a>	JM	(+1) 855 720 6378 <a href="http://www.dyson.com">www.dyson.com</a>	PL	(+48) 227 383 481 <a href="http://www.dyson.pl">www.dyson.pl</a>		



+



=



Template

Шаблон

Modelo

模板

Šablona

Schablone

Skabelon

Plantilla

Pohja

Gabarit

Προτυπο

Sablon

Predložak za ugradnju

Templat

תבנית

Sníðmát

Modello

テンプレート

템플릿

Templat

Sjabloon

Mal

Szablon

Modelo

Model

Шаблон

قالب

Mall

Predloga

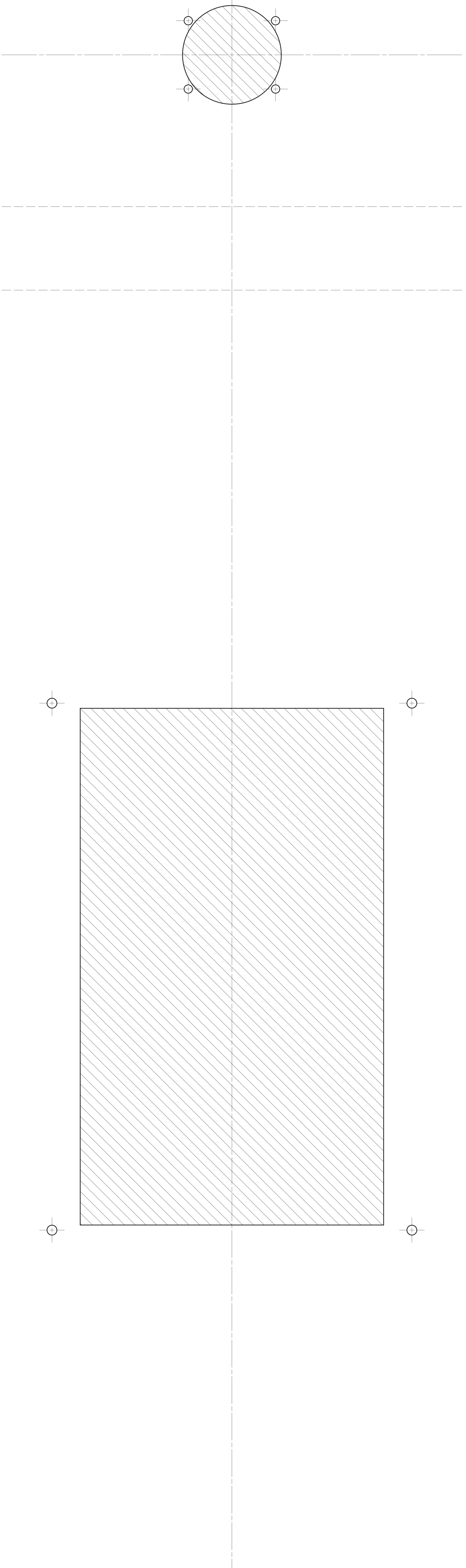
Šablóna

Şablon

စာနိမိတ်

樣板

ШАБЛОН



Dyson Customer care  
www.dyson.com

UK	(+44) 0800 345 7788 www.dyson.co.uk	CY	(+357) 24 532 220 www.dyson.cy	JP	(+81) 0120 295 731 www.dyson.co.jp	PT	(+351) 800 784 355 www.dyson.pt
ROI	(+353) 01 401 8300 www.dyson.ie	CZ	00800 777 55 777 www.dyson.cz	KR	(+82) 70 4066 0073 www.kr.dyson.com	QA	(+971) 4 507 6000 www.dyson.ae
AE	(+971) 4 507 6000 www.dyson.ae	DE	(+49) 0800 3131 319 www.dyson.de	KW	(+971) 4 507 6000 www.dyson.ae	RO	(+40) 031 432 6140 www.dyson.com.ro
AR	(+1) 855 720 6378 www.dyson.com.ar	DK	(+45) 7025 2323 www.dyson.dk	LB	(+961) 1 252 474 www.lb.dyson.com	RU	(+7) 88 001 001 002 www.dyson.com.ru
AT	(+43) 0800 8866 7343 www.dyson.at	ES	(+34) 900 803 650 www.dyson.es	LU	(+32) 0800 62452 www.dyson.lu	SA	(+966) 920 005 759 www.sa.dyson.com
AU	(+61) 1800 426 337 www.dyson.com.au	FI	(+358) 010 321 5080 www.fi.dyson.com	MO	(+86) 21 6020 0502 (+86) 138 1790 3027 www.dyson.cn	SE	(+45) 70 25 48 23 www.dyson.se
BE	(+32) 0800 39 209 www.dyson.be	FR	(+33) 0800 945 802 www.dyson.fr	MX	(+1) 855 720 6378 www.dyson.mx	SG	(+65) 6643 2999 www.dyson.com.sg
BG	(+359) 2 968 1111 www.dyson.bg	GR	(+30) 800 111 3500 www.gr.dyson.com	MY	(+603) 7710 5877 www.dyson.my	SK	00800 777 55 777 www.dyson.sk
BH	(+971) 4 507 6000 www.dyson.ae	GT	(+1) 855 720 6378 www.dyson.gt	NL	(+31) 0800 020 6204 www.dyson.nl	SI	(+385) 01 3818 139 www.dyson.si
BR	(+1) 855 720 6378 www.dyson.com.br	HK	(+852) 2102 5503 www.dyson.hk	NO	(+47) 32 829 940 www.dyson.no	TH	(+66) 2 628 2200 www.dyson.co.th
CA	(+1) 877 397 6622 www.dysoncanada.ca	HU	00800 777 55 777 www.dyson.hu	NZ	(+64) 0800 397 667 www.dyson.co.nz	TR	(+90) 850 532 11 44 www.dyson.com.tr
CH	(+41) 0848 807 817 www.dyson.ch	ID	(+65) 6643 2999 www.dyson.co.id	OM	(+971) 4 507 6000 www.dyson.ae	TW	(+886) 2 8751 0599 www.dyson.tw
CL	(+1) 855 720 6378 www.dyson.cl	IL	(+972) 03 612 9401 www.dyson.co.il	PA	(+1) 855 720 6378 www.dyson.com.pa	UA	(+ 38) 0 800 504-1800 www.dyson.com.ua
CN	(+86) 21 6020 0502 (+86) 138 1790 3027 www.dyson.cn	IN	(+65) 6643 2999 www.dyson.in	PE	(+1) 855 720 6378 www.dyson.com.pe	US	(+1) 855 720 6378 www.dyson.com
CO	(+1) 855 720 6378 www.dyson.co	IT	(+39) 800 976 027 www.dyson.it	PH	(+63) 2 243 1931 www.dyson.ph		
CR	(+1) 855 720 6378 www.dyson.cr	JM	(+1) 855 720 6378 www.dyson.com	PL	(+48) 227 383 481 www.dyson.pl		

JN92757 PN251262-01-02 17.11.17 RCS PARIS 410 191 589

## dyson airblade wash+dry

Owners Manual

Ръководство на

собственика

Manual do Proprietário

Guide du propriétaire

用户手册

Uživatelská příručka

Bedienungsanleitung

Brugervejledning

Manual del Propietario

Omistajan opas

Mode d'emploi

Εγχειρίδιο Ιδιοκτήτη

Tulajdonosi útmutató

Priručnik za vlasnike

Manual Pengguna

מדריך למשתמש

Handbók eiganda

Manuale Utente

オーナーマニュアル

사용 설명서

Manual Pengguna

Gebruikershandleiding

Brugerhåndbok

Podręcznik użytkownika

Manual do Proprietário

Manual de utilizare

Руководство владельца

دليل المالك

Bruksanvisning

Priročnik za uporabnika

Používateľská príručka

คู่มือการใช้งาน

Kullanıcı El Kitabı

用戶手冊

Посібник власників

Manual del usuario

# 3

GB/ROI/IN/JM/		IL	73	TR	141
MT/PH/SG	1	IS	75	TW/HK/MO	145
AU/NZ	5	IT/CH	79	UA	149
BG	9	JP	83	US	153
BR	13	KR	87	USES/AR/CL/	
CA	17	MY	91	GT/MX/PA	157
CA/FR	21	NL	95		
CN	25	NO	99		
CZ	29	PL	103		
DE/AT/CH/LU	33	PT	107		
DK	37	RO/MD	111		
ES	41	RU	115		
FI	45	SA/UAE/BH/EG/			
FR/BE/CH/LU	49	KW/LB/OM/QA	123		
GR/CY	53	SE	125		
HR	57	SK	129		
HU	61	SI	133		
ID	65	TH	137		



# GB/ROI/IN/JM/MT/PH/SG

## IMPORTANT SAFETY INSTRUCTIONS

### READ AND SAVE THESE INSTRUCTIONS

**BEFORE INSTALLING OR USING THIS UNIT READ ALL INSTRUCTIONS AND CAUTIONARY MARKINGS IN THIS MANUAL AND THE INSTALLATION NOTES.**

**TO REDUCE THE RISK OF FIRE, ELECTRIC SHOCK OR INJURY TO PERSONS, OBSERVE THE FOLLOWING:**

1. This unit is not intended for use by persons (including children) with reduced physical, sensory or reasoning capabilities, or lack of experience and knowledge, unless they have been given supervision or instruction concerning use of the unit by a person responsible for their safety.
2. Do not allow the unit to be used for any purpose other than washing and drying hands. Use this unit only in the manner intended by the manufacturer. If you have questions, contact the manufacturer.
3. Before servicing, switch the power off at the service panel. Ensure the switch is locked to prevent the power from being switched on accidentally. If the means of switching off the power cannot be locked, securely fasten a prominent warning device, such as a tag, to the service panel.

Children should be supervised to ensure that they do not play with the unit.

**DO NOT USE ANY PRESSURE WASHING EQUIPMENT FOR CLEANING ON OR NEAR THIS UNIT.**

### WARNING

**TO REDUCE THE RISK OF FIRE OR ELECTRIC SHOCK, DO NOT USE THIS APPLIANCE WITH ANY SOLID-STATE SPEED CONTROL DEVICE.**

**ALL INSTALLATION AND REPAIR WORK (PLUMBING AND ELECTRICAL) SHOULD BE CARRIED OUT BY A QUALIFIED PERSON OR DYSON SERVICE ENGINEER IN ACCORDANCE WITH CURRENT LOCAL CODES OR REGULATIONS.**

### CAUTION

Your hand dryer should be located indoors. Operating temperature range 0°C (32°F) to 40°C (104°F). To reduce the risk of fire or electric shock, do not expose the internal mechanisms/components of this unit to moisture.

## THANK YOU FOR CHOOSING TO BUY A DYSON AIRBLADE WASH+DRY HAND DRYER

### DYSON CUSTOMER CARE

Your hand dryer is covered for 5 years from the date of purchase, subject to the terms of the limited guarantee.

Register your guarantee now at: [www.dyson.com](http://www.dyson.com).

If you have any questions about your hand dryer, call the Dyson Helpline with your serial number and details of where and when you bought the unit.

Note your serial number here for future reference.

Your serial number can be found on the bottom right hand corner of the backplate, on a registration sheet in the box, and also on the large information sticker which can be found around the tap when the unit is unpacked.



This illustration is for example purposes only.

A comprehensive installation guide is enclosed with the hand dryer packaging. This contains detailed information on the correct installation of the unit, which **MUST** be adhered to completely, including routing of electrical cables. Damage caused by incorrect installation is not covered by your warranty. The fitting of an in-line filter is advised to prevent any damage that may affect your guarantee.

GB  
ROI  
IN  
MT  
JM  
PH  
SG

NOTE: Ensure water feed is completely flushed of debris, copper filings etc. prior to connecting to the product. Failure to do so will damage the solenoid valve. The instructions in this manual and the installation guide must be followed completely, as failure to do so may result in incorrect operation, damage to property and/or personal injury. It is recommended that an isolation valve is fitted with this product during installation. Dyson will not be held liable for any damage to property or personal injury, or any loss of business or revenue, if you, your staff, your installer or service engineers have not followed the instructions given in this manual and the installation guide.

## LOOKING AFTER YOUR HAND DRYER

### WARNING

This product is not to be used in sinks where a plug is fitted. Before engaging the water flow ensure that the plughole is clear of any obstructions and that water can drain freely.

### HOW TO USE

Place your hands beneath the Dyson hand dryer and it will automatically, creating sheets of air to scrape water from your hands.

For best dry time results:

- Keep your hands flat and parallel to the appliance surface, approximately 5 mm from the blade, drawing your hands through the airflow from your wrists to finger tips.
- Move your hands slowly through the airflow keeping a consistent speed, approx. 2.5 seconds per side, alternating between front and back each time.
- Keep you hands flat, close the gaps between your fingers and keep your thumbs in to ensure that the whole of your hand is drawn through the airflow.

## TROUBLESHOOTING GUIDE

### WARNING: RISK OF ELECTRIC SHOCK!

Problem	Action
The hand dryer fails to start.	Check that the fuse/circuit breaker is working and that the power is connected. Must be performed by a qualified electrician. Ensure that the cleaning cap is removed and that the sensors are clean and unobstructed. If a safe method of switching is available, turn the unit on and off. If a safe method is not available, a qualified electrician must perform this task.
The hand dryer is turning on and off erratically.	Ensure that the sensors are clean and free from obstructions. Check that the sensor cable from the tap is securely connected. Must be performed by a qualified electrician.
The hand dryer sometimes cuts out when in use but resumes operation after a period of time.	Check that the air inlet is clean and free of dust. Remove any dust from the air inlet. Ensure that the air inlet is free from obstructions and has sufficient clearance (see installation instructions).
The dry time of the hand dryer has increased.	Inspect the inlet grille for dust and remove. Inspect the filter and change if required. Ensure that the hose is securely attached to the base of the tap and no leaks are present. Must be performed by a qualified electrician.

Air is continuously running from the hand dryer.	Ensure that the sensors are clean and free from obstructions.
There is no air coming from the hand dryer.	Check that the fuse/circuit breaker is working and that the power is connected. Must be performed by a qualified electrician. Ensure that the air hose is securely attached to the base of the tap and no leaks are present. Must be performed by a qualified electrician. Check that the sensor cable from the tap is securely connected. Must be performed by a qualified electrician.

## TAP

Problem	Action
Water is continuously coming from the tap.	Ensure that the sensors are clean and free from obstructions.
There is no water coming from the tap.	Ensure that the power and water supplies are turned on and that the isolation valve is open. Must be performed by a qualified electrician. Ensure that the aerator is free from debris, remove and clean/replace if necessary.
The water coming from the tap is overly hot or cold.	Contact the Dyson Helpline.

If you have any further questions please contact the Dyson Helpline.

## USE IN FOOD PREPARATION AREAS

For food preparation environments special installation is required, which must fully enclose the motor bucket and hose in a cleanable housing or have the motor bucket on the reverse side of a wall, provide adequate clearance for cleaning underneath (if applicable) and be such that the unit is at least 2.5 metres from uncovered food or uncovered food-contact surfaces.

## CLEANING

The hand dryer should be cleaned daily.  
Wipe sensors using a soft cloth and non-abrasive cleaner then place cleaning cap over sensors to prevent air and water from being activated.  
Clean all tap surfaces, sink, mirror and any walls or counter tops. When complete REMEMBER to remove cleaning cap.  
REGULARLY clean air inlets on base of motor bucket (under sink). Ensure that the plughole in sink is free from blockages so water can drain freely.

## IMPORTANT INFORMATION

Do not pressure wash the machine.  
All cleaning chemicals should be used exactly as indicated by the manufacturer's instructions (including appropriate dilution).  
If a cleaning product is left on the machine for too long, a film will form. This may reduce the effectiveness of the antimicrobial surfaces.

Any chemicals intended for use should first be tested on an inconspicuous area to confirm suitability. Aside from cleaning chemicals, care should be taken to avoid any harmful fluids from coming into contact with the product, in particular oils and alcohol-based products.

## WATER GUIDELINES

This hand dryer has an IP35 certification.  
Use of pressure washers can force water inside the casing.  
Water damage caused by incorrect cleaning will invalidate your guarantee.

## AUTOMATIC DUTY FLUSH

The unit is equipped with a fixed automatic water flush, which activates for 60 seconds 24 hours after last use. This helps reduce water stagnation and bacteria proliferation within the product.  
Please ensure that the unit is always installed over a functional basin with free and connected drainage.

## SOLENOID REPLACEMENT GUIDELINES

It may be necessary to replace the solenoid on your hand dryer. If you suspect that this is the case, please contact the Dyson Helpline.  
When replacing the solenoid, the hand dryer must be disconnected from the mains electricity and water supply. Failure to do so could lead to serious injury and/or damage to property.

## FILTER MAINTENANCE

Regularly check the air inlet to ensure that it is free from dust and debris. Simply wiping the inlet with a soft cloth should be sufficient to remove dust and debris.  
If the air inlet gets clogged, further cleaning or a filter change might be required.  
If required for high usage environments, a Dyson filter change kit provides everything needed to change your unit's HEPA filter on site. Contact the Dyson Helpline for more information.  
Filter cleaning or replacement for your hand dryer can be carried out by carefully following the instructions given in the filter change kit. If in any doubt, consult a qualified electrician or contact the Dyson Helpline for support.

## SERVICING

If your hand dryer needs servicing, please call the Dyson Helpline. Also visit the website at [www.dyson.com](http://www.dyson.com).

## DISPOSAL INFORMATION

Dyson products are made from high grade recyclable materials. Recycle where possible.

## YOUR GUARANTEE

Terms and conditions of the Dyson 5 year guarantee

If you have registered your unit online, your guarantee will start from the date of purchase. Please retain your proof of purchase. If you do not have your proof of purchase, your guarantee will start 90 days after the date of manufacture, according to Dyson's records.

Where this unit is sold within the EU, this guarantee will only be valid (i) if the unit is installed and used in the country in which it was sold or (ii), if the unit is installed and used in Austria, Belgium, France, Germany, Ireland, Italy, Netherlands, Spain or the United Kingdom and the same model as this unit is sold at the same voltage rating in the relevant country. Where this unit is sold outside of the EU, this guarantee will only be valid if the unit is installed and used in the country in which it was sold.

## WHAT IS COVERED

### 5 YEAR GUARANTEE

All factory parts of your hand dryer are guaranteed against original defects, material and workmanship when used in accordance with the owner's manual and installation guide for a period of 5 years from the start of your guarantee.

Please call the Dyson Helpline for more information.

In instances where electrical failures occur, Dyson will, during the guarantee period carry out the repair with no labour charge.

The replacement of the motor bucket assembly, filter and solenoid are not covered for labour. If these parts fail, replacement parts will be provided to be fitted on site by the customer.

Please call the Dyson Helpline for more information.

Where a filter change is required, Dyson will provide a filter change kit to be installed on site by the customer.

- Any parts which are returned and replaced by Dyson will become the property of Dyson.
- The replacement of any part of your unit under guarantee will not extend the period of guarantee.
- The guarantee provides benefits which are additional to and do not affect any statutory rights you may have as a consumer.

## WHAT IS NOT COVERED

Dyson does not guarantee the repair or replacement of a product as a result of:

- Accidental damage, faults caused by negligent use or care, unintentional or deliberate misuse, neglect, vandalism, careless operation or handling of the fixture which is not in accordance with the Dyson operating manual.
- Use of parts not assembled or installed in accordance with the instructions of Dyson.
- Use of parts and accessories which are not genuine Dyson components.
- Faulty installation, or installation that does not precisely follow the installation instructions supplied by Dyson (except where installed by Dyson).
- Repairs or alterations carried out other than in accordance with instructions by Dyson.
- Damage from external sources such as transit, weather, electrical outages or power surges.
- Normal wear and tear (e.g. fuse, etc.).
- Damage caused by cleaning which is not in line with the instructions in this manual: for example, cleaning with chemicals or products listed as harmful to the unit.
- Damage caused by water ingress due to cleaning or treatment prohibited in this manual.

- Any electrical, flooding or structural damage, or any loss of business or revenue as a result of product failure. If you are in any doubt as to what is covered by your guarantee, please contact Dyson (details on the back cover).

## SUMMARY OF COVER

- You must provide proof of (both the original and any subsequent) delivery/purchase before any work can be carried out on your Dyson appliance or before any replacement parts will be supplied. Without this proof, any work carried out or parts supplied will be chargeable. Keep your receipt or delivery note.
- Subject to the exclusions above, all work to be carried out under this guarantee will be carried out by Dyson or its authorised agents.

## IMPORTANT DATA PROTECTION INFORMATION

When registering your Dyson product:

- You will need to provide us with basic contact information to register your product and enable us to support your guarantee.
- When you register, you will have the opportunity to choose whether you would like to receive communications from us. If you opt-in to communications from Dyson, we will send you details of special offers and news of our latest innovations. We never sell your information to third parties and only use information that you share with us as defined by our privacy policies which are available on our website: [privacy.dyson.com](https://www.dyson.com/privacy).

# AU/NZ

## IMPORTANT SAFETY INSTRUCTIONS

### READ AND SAVE THESE INSTRUCTIONS

**BEFORE INSTALLING OR USING THIS UNIT READ ALL INSTRUCTIONS AND CAUTIONARY MARKINGS IN THIS MANUAL AND THE INSTALLATION NOTES.**

**TO REDUCE THE RISK OF FIRE, ELECTRIC SHOCK OR INJURY TO PERSONS, OBSERVE THE FOLLOWING:**

1. This unit is not intended for use by persons (including children) with reduced physical, sensory or reasoning capabilities, or lack of experience and knowledge, unless they have been given supervision or instruction concerning use of the unit by a person responsible for their safety.
2. Do not allow the unit to be used for any purpose other than washing and drying hands. Use this unit only in the manner intended by the manufacturer. If you have questions, contact the manufacturer.
3. Before servicing, switch the power off at the service panel. Ensure the switch is locked to prevent the power from being switched on accidentally. If the means of switching off the power cannot be locked, securely fasten a prominent warning device, such as a tag, to the service panel.
4. Children should be supervised to ensure that they do not play with the unit.

**DO NOT USE ANY PRESSURE WASHING EQUIPMENT FOR CLEANING ON OR NEAR THIS UNIT.**

### WARNING

**TO REDUCE THE RISK OF FIRE OR ELECTRIC SHOCK, DO NOT USE THIS APPLIANCE WITH ANY SOLID-STATE SPEED CONTROL DEVICE**

**ALL INSTALLATION AND REPAIR WORK (PLUMBING AND ELECTRICAL) SHOULD BE CARRIED OUT BY A QUALIFIED PERSON OR DYSON SERVICE ENGINEER IN ACCORDANCE WITH CURRENT LOCAL CODES OR REGULATIONS.**

### CAUTION

Your hand dryer should be located indoors. Operating temperature range 0°C (32°F) to 40°C (104°F). To reduce the risk of fire or electric shock, do not expose the internal mechanisms/components of this unit to moisture.

## THANK YOU FOR CHOOSING TO BUY A DYSON AIRBLADE WASH+DRY HAND DRYER

### DYSON CUSTOMER CARE

Your hand dryer is covered for 5 years from the date of purchase, subject to the terms of the limited guarantee.

Register your guarantee now at: [www.dyson.com.au](http://www.dyson.com.au) or [www.dyson.co.nz](http://www.dyson.co.nz).

If you have any questions about your hand dryer, call the Dyson Helpline with your serial number and details of where and when you bought the unit.

AU  
NZ

Note your serial number here for future reference.

Your serial number can be found on the bottom right hand corner of the backplate, on a registration sheet in the box, and also on the large information sticker which can be found around the tap when the unit is unpacked.



This illustration is for example purposes only.

A comprehensive installation guide is enclosed with the hand dryer packaging. This contains detailed information on the correct installation of the unit, which **MUST** be adhered to completely, including routing of electrical cables. Damage caused by incorrect installation is not covered by your guarantee.

The fitting of an in-line filter is advised to prevent any damage that may affect your guarantee.

NOTE: Ensure that the water feed is completely flushed of debris, copper filings etc. prior to connecting to the product. Failure to do so will damage the solenoid valve. The instructions in this manual and the installation guide must be followed completely, as failure to do so may result in incorrect operation, damage to property and/or personal injury. It is recommended that an isolation valve is fitted with this product during installation. Dyson will not be held liable for any damage to property or personal injury, or any loss of business or revenue, if you, your staff, your installer or service engineers have not followed the instructions given in this manual and the installation guide.

AU  
NZ

## LOOKING AFTER YOUR HAND DRYER

### WARNING

This product is not to be used in sinks where a plug is fitted. Before engaging the water flow ensure that the plughole is clear of any obstructions and that water can drain freely.

### HOW TO USE

Place your hands beneath the centre of the tap and water will flow automatically for as long as the hands remain in place.

For best dry time results:

- Place your hands to either side of the centre tap to activate the hand dryer, creating sheets of air to scrape water from your hands.
- Move your hands backwards and forwards slowly through the air, turning them over so both back and front are exposed to the airflow.
- Keep your hands flat, close the gaps between your fingers and keep your thumbs in to ensure that the whole of your hand is drawn through the airflow.

## TROUBLESHOOTING GUIDE

### WARNING: RISK OF ELECTRIC SHOCK!

Problem	Action
The hand dryer fails to start.	Check fuse/circuit breaker is working and that the power is connected. Must be performed by a qualified electrician. Ensure the cleaning cap is removed and that the sensors are clean and unobstructed. If a safe method of switching is available, turn the unit on and off. If a safe method is not available, a qualified electrician must perform this task.
The hand dryer is turning on and off erratically.	Ensure sensors are clean and free from obstructions. Check that the sensor cable from the tap is securely connected. Must be performed by a qualified electrician.
The hand dryer sometimes cuts out when in use but resumes operation after a period of time.	Check the air inlet is clean and free of dust. Remove any dust from the air inlet. Ensure that the air inlet is free from obstructions and has sufficient clearance (see installation instructions).

The dry time of the hand dryer has increased.	Inspect the inlet grille for dust and remove. Inspect filter and change if required. Ensure that the hose is securely attached to the base of the tap and no leaks are present. Must be performed by a qualified electrician.
Air is continuously running from the hand dryer.	Ensure sensors are clean and free from obstructions.
There is no air coming from the hand dryer.	Check fuse/circuit breaker is working and that the power is connected. Must be performed by a qualified electrician. Ensure that the air hose is securely attached to the base of the tap and no leaks are present. Must be performed by a qualified electrician. Check that the sensor cable from the tap is securely connected. Must be performed by a qualified electrician.

## TAP

Problem	Action
Water is continuously coming from the tap.	Ensure sensors are clean and free from obstructions.
There is no water coming from the tap.	Ensure that the power and water supplies are turned on and that the isolation valve is open. Must be performed by a qualified electrician. Ensure that the aerator is free from debris, remove and clean/replace if necessary.
The water coming from the tap is overly hot or cold.	Contact the Dyson Helpline.

If you have any further questions please contact the Dyson Helpline.

## USE IN FOOD PREPARATION AREAS

For food preparation environments special installation is required, which must fully enclose the motor bucket and hose in a cleanable housing or have the motor bucket on the reverse side of a wall, provide adequate clearance for cleaning underneath (if applicable) and be such that the unit is at least 2.5 metres from uncovered food or uncovered food-contact surfaces.

## CLEANING

The hand dryer should be cleaned daily. Wipe sensors using a soft cloth and non-abrasive cleaner then place cleaning cap over sensors to prevent air and water from being activated. Clean all tap surfaces, sink, mirror and any walls or counter tops. When complete REMEMBER to remove cleaning cap.

REGULARLY clean air inlets on base of motor bucket (under sink). Ensure plughole in sink is free from blockages so water can drain freely.

## IMPORTANT INFORMATION

Do not pressure wash the machine. All cleaning chemicals should be used exactly as indicated by the manufacturer's instructions (including appropriate dilution). If a cleaning product is left on the machine for too long, a film will form. This may reduce the effectiveness of the antimicrobial surfaces. Any chemicals intended for use should first be tested on an inconspicuous area to confirm suitability. Aside from cleaning chemicals, care should be taken to avoid any harmful fluids from coming into contact with the product, in particular oils and alcohol-based products.

## WATER GUIDELINES

This hand dryer has an IP35 certification. Use of pressure washers can force water inside the casing. Water damage caused by incorrect cleaning will invalidate your guarantee.

## AUTOMATIC DUTY FLUSH

The unit is equipped with a fixed automatic water flush, which activates for 60 seconds 24 hours after last use. This helps reduce water stagnation and bacteria proliferation within the product. Please ensure the unit is always installed over a functional basin with free and connected drainage.

## SOLENOID REPLACEMENT GUIDELINES

It may be necessary to replace the solenoid on your hand dryer. If you suspect this is the case, please contact the Dyson Helpline. When replacing the solenoid, the hand dryer must be disconnected from the mains electricity and water supply. Failure to do so could lead to serious injury and/or damage to property.

## FILTER MAINTENANCE

Regularly check the air inlet to ensure that it is free from dust and debris. Simply wiping the inlet with a soft cloth should be sufficient to remove dust and debris. If the air inlet gets clogged, further cleaning or a filter change might be required. If required for high usage environments, a Dyson filter change kit provides everything needed to change your unit's HEPA filter on site. Contact the Dyson Helpline for more information. Filter cleaning or replacement for your hand dryer can be carried out by carefully following the instructions given in the filter change kit. If in any doubt, consult a qualified electrician or contact the Dyson Helpline for support.

## SERVICING

If your hand dryer needs servicing, please call the Dyson Helpline. Also visit the website at [www.dyson.com](http://www.dyson.com) [www.dyson.co.nz](http://www.dyson.co.nz)

## DISPOSAL INFORMATION

Dyson products are made from high grade recyclable materials. Recycle where possible. When your Dyson appliance reaches the end of its life, we are responsible for its safe disposal. You can send your old Dyson appliance back to us (at our cost) and we will organise for it to be recycled. Please note that not all parts are recyclable. Recycling of parts is subject to the capabilities of 3rd party suppliers. Available in Australia only.

Simply:

1. Box up your old Dyson appliance.
2. Take the package to your local post office and send to the address below:

Dyson We Recycle  
Reply Paid 83215  
Dyson Service Centre  
8–10 Mangrove Lane  
Taren Point, NSW 2229

## YOUR GUARANTEE

### TERMS AND CONDITIONS OF THE DYSON 5 YEAR GUARANTEE.

If you have registered your unit online, your guarantee will start from the date of purchase. Please retain your proof of purchase. If you do not have your proof of purchase, your guarantee will start 90 days after the date of manufacture, according to Dyson's records. This guarantee will be void if the unit is installed and used in a country outside the one in which it was sold.

- The Dyson Guarantee does not affect your statutory rights as a consumer, including under the Australian Consumer Law. In some circumstances it may provide additional benefits.

## WHAT IS COVERED

### 5 YEAR GUARANTEE

All factory parts of your hand dryer are guaranteed against original defects, material and workmanship when used in accordance with the owner's manual and installation guide for a period of 5 years from the start of your guarantee.

Please call the Dyson Helpline for more information.

In instances where electrical failures occur, Dyson will, during the guarantee period carry out the repair with no labour charge.

The replacement of the motor bucket assembly, filter and solenoid are not covered for labour. If these parts fail, replacement parts will be provided to be fitted on site by the customer.

Please call the Dyson Helpline for more information.

Where a filter change is required, Dyson will provide a filter change kit to be installed on site by the customer.

- Any parts which are returned and replaced by Dyson will become the property of Dyson.
- The replacement of any part of your unit under guarantee will not extend the period of guarantee.

## WHAT IS NOT COVERED

Dyson does not guarantee the repair or replacement of a product as a result of:

- Accidental damage, faults caused by negligent use or care, unintentional or deliberate misuse, neglect, vandalism, careless operation or handling of the fixture which is not in accordance with the Dyson operating manual.
- Use of parts not assembled or installed in accordance with the instructions of Dyson.
- Use of parts and accessories which are not genuine Dyson components.
- Faulty installation, or installation that does not precisely follow the installation instructions supplied by Dyson (except where installed by Dyson).
- Repairs or alterations carried out other than in accordance with instructions by Dyson.
- Damage from external sources such as transit, weather, electrical outages or power surges.
- Normal wear and tear (e.g. fuse, etc.).
- Damage caused by cleaning which is not in line with the instructions in this manual: for example, cleaning with chemicals or products listed as harmful to the unit.
- Damage caused by water ingress due to cleaning or treatment prohibited in this manual.
- Any electrical, flooding or structural damage, or any loss of business or revenue as a result of product failure. If you are in any doubt as to what is covered by your guarantee, please contact Dyson (details on the back cover).

## SUMMARY OF COVER

- You must provide proof of (both the original and any subsequent) delivery/purchase before any work can be carried out on your Dyson appliance or before any replacement parts will be supplied. Without this proof, any work carried out or parts supplied will be chargeable. Keep your receipt or delivery note.
- Subject to the exclusions above, all work to be carried out under this guarantee will be carried out by Dyson or its authorised agents.

## AUSTRALIAN CONSUMER LAW

In addition to your rights under the Dyson guarantee, we also provide the following statement as required by the Australian Consumer Law: In Australia, your Dyson appliance comes with statutory guarantees that cannot be excluded under the Australian Consumer Law. You are entitled to a replacement or refund for a major failure and for compensation for any other reasonably foreseeable loss or damage. You are also entitled to have your Dyson appliance repaired or replaced if it fails to be of acceptable quality and the failure does not amount to a major failure.

## ABOUT YOUR PRIVACY

### WHEN REGISTERING YOUR DYSON PRODUCT

- You will need to provide us with basic contact information to register your product and enable us to support your Dyson guarantee.
- When you register, you will have the opportunity to choose whether you would like to receive communications from us. If you opt-in to communications from Dyson, we will send you details of special offers and news of our latest innovations. We never sell your information to third parties and only use information that you share with us as defined by our privacy policies which are available on our website: [privacy.dyson.com](http://privacy.dyson.com).



# BG

## ВАЖНИ ИНСТРУКЦИИ ЗА БЕЗОПАСНОСТ

### ПРОЧЕТЕТЕ И ЗАПАЗЕТЕ ТЕЗИ ИНСТРУКЦИИ

**ПРЕДИ ДА МОНТИРАТЕ И ИЗПОЛЗВАТЕ ТОЗИ УРЕД, ПРОЧЕТЕТЕ ВСИЧКИ ИНСТРУКЦИИ И ПРЕДУПРЕДИТЕЛНИ НАДПИСИ В ТОЗИ НАРЪЧНИК И ЗАБЕЛЕЖКИТЕ ЗА МОНТАЖ.**

**ЗА ДА НАМАЛИТЕ РИСКА ОТ ПОЖАР, ТОКОВ УДАР ИЛИ ТЕЛЕСНА ПОВРЕДА, СЪБЛЮДАВАЙТЕ СЛЕДНОТО:**

1. Този уред не е предназначен за употреба от лица (включително деца) с намалени физически, сетивни или умствени способности или липса на опит и знания, освен ако тези лица не се намират под надзор или не са получили инструкции относно употребата на уреда от лице, отговорно за безопасността им.
2. Не позволявайте уредът да се използва за други цели, различни от измиване и сушене на ръце. Използвайте този уред само по начина, предвиден от производителя. Ако имате въпроси, свържете се с производителя.
3. Преди да започнете сервизни дейности, изключете захранването от сервизното табло. Уверете се, че превключвателят е заключен, за да предотвратите случайно включване на захранването. Ако средството за изключване на захранването не може да бъде заключено, закрепете здраво предупредително обозначение, като например етикет, на видно място на сервизното табло.

Децата трябва да бъдат наблюдавани, за да не се допусне да си играят с уреда.

**НЕ ИЗПОЛЗВАЙТЕ ОБОРУДВАНЕ ЗА СТРУЙНО ПОЧИСТВАНЕ ВЪРХУ ТОЗИ УРЕД ИЛИ В БЛИЗОСТ ДО НЕГО.**

### **!** ПРЕДУПРЕЖДЕНИЕ

**ЗА ДА НАМАЛИТЕ РИСКА ОТ ПОЖАР ИЛИ ТОКОВ УДАР, НЕ ИЗПОЛЗВАЙТЕ ТОЗИ УРЕД С КОЕ ДА Е УСТРОЙСТВО ЗА УПРАВЛЕНИЕ НА СКОРОСТ.**

**ВСИЧКИ МОНТАЖИ И РЕМОНТНИ РАБОТИ (ВОДОПРОВОДНИ И ЕЛЕКТРИЧЕСКИ) ТРЯБВА ДА СЕ ИЗВЪРШВАТ ОТ КВАЛИФИЦИРАНО ЛИЦЕ ИЛИ СЕРВИЗЕН ТЕХНИК НА DYSON В СЪОТВЕТСТВИЕ С МЕСТНИТЕ ПРАВИЛА ИЛИ НАРЕДБИ.**

### **!** ВНИМАНИЕ

Сешоарът за ръце трябва да се монтира на закрито. Работната температура е от 0°C (32°F) до 40°C (104°F). За да намалите риска от пожар или токов удар, не излагайте на влага вътрешните механизми/компоненти на уреда.

## БЛАГОДАРИМ ВИ, ЧЕ ИЗБРАХТЕ ДА ЗАКУПИТЕ СМЕСИТЕЛ СЪС СЕШОАР ЗА РЪЦЕ DYSON AIRBLADE WASH+DRY

### ОБСЛУЖВАНЕ НА КЛИЕНТИ НА DYSON

Вашият сешоар за ръце има гаранция от 5 години от датата на закупуване и в съответствие с условията на ограничената гаранция.

Регистрирайте гаранцията си на адрес [www.dyson.com](http://www.dyson.com).

Ако имате въпроси във връзка със сешоара за ръце Dyson, обадете се на телефонната линия за обслужване на клиенти на Dyson и посочете серийния номер на уреда, както и къде, и кога сте го закупили.

Запишете тук серийния номер за справки в бъдеще.

Серийният номер може да бъде намерен в долния десен ъгъл на задната пластина, на регистрационния лист в кутията, както и на големия информационен стикер около смесителя при разопаковането му.



Тази илюстрация служи само за пример.

В комплекта на сешоара за ръце е включено подробно ръководство за монтаж. То съдържа пълна информация за правилното монтиране на уреда, която ТРЯБВА да се спазва изцяло, включително прокарването на електрическите кабели. Щети, причинени от неправилен монтаж, не се покриват от гаранцията.

Монтирането на вграден филтър е препоръчително, за да се избегнат всякакви повреди, които могат да повлияят на Вашата гаранция.

**ЗАБЕЛЕЖКА:** Уверете се, че водоподаването е напълно изчистено от остатъци,

BG

медни стружки и др., преди да свържете към уреда. Ако не го направите, това може да повреди електромагнитния клапан.

Инструкциите в този наръчник и в ръководството за монтаж трябва да се спазват напълно, в противен случай може да се стигне до неправилна експлоатация, щети върху имущество и/или телесна повреда. Препоръчва се по време на монтажа да се постави изолационна клапа на продукта. Dyson не носи отговорност за щети на имущество или телесна повреда, или загуба на бизнес или приходи, ако Вие, Вашият персонал, монтажникът или сервизните Ви техници не спазите инструкциите, съдържащи се в този наръчник и ръководството за монтаж.

## ГРИЖА ЗА СЕШОАРА ЗА РЪЦЕ DYSON

### ПРЕДУПРЕЖДЕНИЕ

Този продукт не трябва да се използва в мивки, в които е поставена тапа. Преди пускане на водния поток се уверете, че отворът за тапа не е запушен и водата може да се оттича свободно.

### НАЧИН НА УПОТРЕБА

Поставете ръцете си под сешоара за ръце Dyson и той автоматично ще пусне тънки струи въздух, за да премахне водата от ръцете Ви.

За най-добър резултат:

- Дръжте ръцете си хоризонтално и успоредно на повърхността на уреда, на прибл. 5 мм от перката, и ги движете през потока от въздух от китките до върха на пръстите.
- Движете ръцете бавно през потока от въздух с една и съща скорост – около 2,5 секунди от всяка страна, като сменяте страните.
- Дръжте ръцете си опънати, с прибрани пръсти и палци, за да може цялата Ви ръка да мине през потока въздух.

## НАРЪЧНИК ЗА ОТСТРАНЯВАНЕ НА НЕИЗПРАВНОСТИ!

### ПРЕДУПРЕЖДЕНИЕ: ОПАСНОСТ ОТ ТОКОВ УДАР.

Проблем	Действие
Сешоарът за ръце не се включва.	Проверете дали предпазителят/електрическият прекъсвач работи и дали електрическото захранване и водоподаването са свързани. Трябва да се извърши от квалифициран електротехник. Уверете се, че капачката за почистване е отстранена и сензорите са чисти, и пред тях няма препятствия. Ако е наличен безопасен метод на превключване, включете и изключете уреда. Ако няма безопасен начин, тази задача трябва да се изпълни от квалифициран електротехник.

Сешоарът за ръце се включва и изключва хаотично.	Уверете се, че сензорите са чисти и без препятствия. Кабелът на сензора от смесителя трябва да е правилно свързан. Трябва да се извърши от квалифициран електротехник.
Понякога сешоарът за ръце се изключва, когато се използва, но възобновява работа след известен период от време.	Проверете дали входният отвор за въздух е чист и без прах. Ако има прах във входния отвор за въздух, почистете го. Уверете се, че във входния отвор за въздух няма запушвания и има достатъчно пространство (вж. инструкциите за монтаж).
Времето за изсушаване на сешоара за ръце се е увеличило.	Проверете входния отвор за въздух за прах и го извадете. Проверете филтъра и сменете, ако е необходимо. Уверете се, че маркучът е здраво свързан към основата на смесителя и няма течове. Трябва да се извърши от квалифициран електротехник.
От сешоара за ръце непрекъснато духа въздух.	Уверете се, че сензорите са чисти и без препятствия.
От сешоара за ръце не духа въздух.	Проверете дали предпазителят/електрическият прекъсвач работи и дали електрическото захранване и водоподаването са свързани. Трябва да се извърши от квалифициран електротехник. Уверете се, че маркучът за въздух е добре закрепен към основата на крана и няма течове. Трябва да се извърши от квалифициран електротехник. Кабелът на сензора от смесителя трябва да е правилно свързан. Трябва да се извърши от квалифициран електротехник.

## СМЕСИТЕЛ

Проблем	Действие
От крана непрекъснато тече вода.	Уверете се, че сензорите са чисти и без препятствия.
От крана не тече вода.	Уверете се, че електрическото и водното захранване са включени и изолационната клапа е отворена. Трябва да се извърши от квалифициран електротехник. Уверете се, че аераторът не е запушен, извадете и почистете/подменете, ако е необходимо.
Водата от крана е твърде гореща или студена.	Свържете се с телефонната линия за обслужване на клиенти на Dyson.

Ако имате допълнителни въпроси, моля, свържете се с телефонната линия за обслужване на клиенти на Dyson.

## УПОТРЕБА В ЗОНИ ЗА ПРИГОТВЯНЕ НА ХРАНА

На места, където се приготвя храна, е нужен специален вид монтаж, при който корпусът на двигателя и маркучът се затварят напълно в корпус, който може да се чисти, или корпусът на двигателя се монтира от другата страна на стената. Освен това се оставя достатъчно пространство отдолу за почистване (ако е приложимо) и устройството е на поне 2,5 метра от непокрита храна или непокрита повърхности, които влизат в контакт с храна.

## ПОЧИСТВАНЕ

Сешоарът за ръце трябва да се почиства ежедневно.

Сензорите изчистете с мека кърпа и неабразивен препарат, след това поставете капака за почистване върху тях, за да не се активират водата и въздухът.

Почистете повърхността на смесителя, мивката, огледалото и стените. **НЕ ЗАБРАВЯЙТЕ** след това да махнете капака за почистване.

Почиствайте отворите за въздух на основата на корпуса на двигателя **РЕДОВНО** (под мивката). Уверете се, че отворът за тапа в мивката не е запушен и водата може да се оттича свободно.

## ВАЖНА ИНФОРМАЦИЯ

Не мийте уреда със струя под налягане.

Всички почистващи химически препарати трябва да се използват точно според инструкциите на производителя (включително правилното им разреждане).

Ако почистващ препарат бъде оставен върху уреда твърде дълго време, ще се образува тънък слой. Това може да намали ефективността на антимикробните повърхности и да ги повреди.

Всички почистващи препарати, които възнамерявате да използвате, трябва предварително да се тестват върху незабележимо място, за да сте сигурни, че са подходящи за целта. С изключение на почистващите препарати, трябва да се избягва контакт между машината и всякакви вредни течности, особено масла и продукти на базата на алкохол.

## УКАЗАНИЯ ЗА ПОЧИСТВАНЕТО С ВОДА

Този сешоар за ръце е с клас на защита IP35.

При използването на струя под налягане в корпуса може да проникне вода. Повреда, предизвикана от неправилно почистване, анулира гаранцията Ви.

## АВТОМАТИЧНО ПРОМИВАНЕ

Уредът има функция за автоматично промиване, което се активира за 60 секунди, когато изтекат 24 часа от последното използване. По този начин се намалява застояването на водата и разпространението на бактерии в уреда.

Уредът постоянно трябва да е над действаща мивка със свободни, правилно свързани тръби за оттичане.

## НАСОКИ ЗА СМЯНА НА ЕЛЕКТРОМАГНИТА

Може да се наложи електромагнитът на сешоара за ръце да се подмени. Ако смятате, че това трябва да се извърши, моля, свържете се с телефонната линия за обслужване на клиенти на Dyson.

При смяна на електромагнита сешоарът за ръце трябва да се изключи от електрическото захранване и от водоподаването. Неспазването на това може да доведе до сериозни наранявания и/или повреда на имущество.

## ПОДДРЪЖКА НА ФИЛТЪРА

Редовно проверявайте отвора за въздух, за да се гарантира, че в него няма натрупан прах или замърсяване. Избърсването на входа с мека кърпа трябва да е достатъчно за премахване на прах и замърсяване.

Ако входът за въздух се запуши, може да се наложи допълнително почистване или смяна на филтъра.

Ако се изисква поради силно натоварена среда, комплектът за смяна на филтъра на Dyson осигурява всичко, което е необходимо за подмяна на място на HEPA филтъра на уреда. За повече информация можете да се обадите на телефонната линия за обслужване на клиенти на Dyson.

Почистването или подмяната на филтъра на Вашия сешоар за ръце може да се извършва, като внимателно следвате инструкциите в комплекта за смяна на филтър.

При възникване на съмнения се обърнете към квалифициран електротехник или телефонната линия за обслужване на клиенти на Dyson.

## СЕРВИЗНО ОБСЛУЖВАНЕ

Ако Вашият сешоар за ръце има нужда от сервизно обслужване, моля, обадете се на телефонната линия за обслужване на клиенти на Dyson. Можете да посетите и уебсайта на адрес [www.dyson.com](http://www.dyson.com).

## ИНФОРМАЦИЯ ОТНОСНО ИЗХВЪРЛЯНЕТО

Продуктите на Dyson са произведени от висококачествени материали, които могат да се рециклират. Моля, изхвърляйте този продукт отговорно и рециклирайте, когато е възможно.

## ГАРАНЦИЯ

### Общи условия на 5-годишната гаранция от Dyson

Ако сте регистрирали уреда си онлайн, гаранцията Ви влиза в сила от датата на покупката. Моля, запазете документа си за покупката. Ако го загубите, гаранцията Ви влиза в сила 90 дни след датата на производство съгласно регистрите на Dyson. В случаите, когато устройството се продава в ЕС, тази гаранция ще бъде валидна само (i) ако устройството се инсталира и използва в държавата, в която е закупено, или (ii) ако устройството се инсталира и използва в Австрия, Белгия, Франция, Германия, Ирландия, Италия, Нидерландия, Испания или Обединеното кралство и същият модел като това устройство се продава със същите спецификации за напрежение в съответната държава. В случаите, когато устройството се продава извън ЕС, тази гаранция ще бъде валидна само ако устройството се инсталира и използва в държавата, в която е закупено.

## КАКВО ПОКРИВА

### 5-ГОДИШНАТА ГАРАНЦИЯ

Всички заводски компоненти на сешоара за ръце имат гаранция в случай на оригинални дефекти, дефекти в материала или изработката, когато машината се използва в съответствие с ръководството за потребителя и ръководството за инсталиране за период от 5 години от датата на влизане в сила на гаранцията Ви. За повече информация, моля, обадете се на телефонната линия за обслужване на клиенти на Dyson.

В случай на електрическа повреда Dyson ще извърши ремонт без такса за труд по време на гаранционния период.

Подмяната на корпуса на двигателя, филтъра и соленоида не се извършват с гаранционно покритие за труд. Ако тези компоненти се повредят, ще бъдат доставени части за подмяна, които да се монтират от потребителя на място.

За повече информация, моля, обадете се на телефонната линия за обслужване на клиенти на Dyson.

Когато е необходима подмяна на филтъра, Dyson ще осигури комплект за подмяна на филтъра, който да се монтира на място от клиента.

- Всички части, които са върнати и заменени от Dyson, ще станат собственост на Dyson.
- Гаранционната поправка или подмяна на Вашия уред не удължава периода на гаранцията.
- Гаранцията осигурява ползи, които са допълнителни и не засягат законните права, които може да имате като потребител.

## КАКВО НЕ ПОКРИВА ГАРАНЦИЯТА

Dyson не гарантира ремонта или подмяната на уреда като резултат от:

- Случайна повреда, дефекти, предизвикани от небрежно използване или липса на грижи, неумишлена или умишлена злоупотреба, занемаряване, вандализъм, недобросъвестно използване или работа с уреда, която не съответства на ръководството за експлоатация на Dyson.
- Използване на части, които не са сплбени или монтирани в съответствие с инструкциите на Dyson.
- Използване на части и принадлежности, които не са оригинални компоненти на Dyson.

- Неправилен монтаж или монтаж, при който не са спазени точно инструкциите за монтаж, предоставени от Dyson (освен когато монтажът е извършен от Dyson).
- Ремонт или изменения, извършени в несъответствие с инструкциите на Dyson.
- Повреди от външни източници, като например транспорт, атмосферни условия, прекъсване на електрическото захранване или пикови напрежения.
- Нормално износване (напр. предпазители и др.).
- Повреди, предизвикани от почистване, което не съответства на инструкциите в това ръководство: например почистване с препарати или продукти, посочени като вредни за уреда.
- Повреди, предизвикани от проникване на вода в уреда вследствие на метод на почистване или обработка, забранен в това ръководство.
- Всяка електрическа, структурна повреда или повреда от наводнение, или загуба на дейност или приходи в резултат на повреда на продукта. Ако не сте сигурни какво точно се покрива от гаранцията Ви, моля, обадете се на Dyson (информация ще намерите на задната корица).

## ОБОБЩЕНИЕ НА ГАРАНЦИОННОТО ПОКРИТИЕ

- Трябва да предоставите доказателство за доставката/покупката (както за първоначална покупка, така и за всяка следваща), преди да може да се извърши каквато и да е работа по уреда, произведен от Dyson, или преди да бъдат доставени резервни части. Без такова доказателство всяка извършена работа или доставени части ще се заплащат. Пазете касовата бележка или фактурата за доставка.
- При спазване на изключенията по-горе всички работни дейности по гаранцията ще се извършват от Dyson или от нейни упълномощени представители.

## ОТНОСНО ЗАЩИТАТА НА ЛИЧНИТЕ ВИ ДАННИ

### ПРИ РЕГИСТРИРАНЕ НА ВАШИЯ ПРОДУКТ НА DYSON:

- Ще ни е нужна информация за контакт с Вас, за да можем да регистрираме продукта Ви и да обслужваме гаранцията.
- Когато се регистрирате, можете да изберете дали да получавате съобщения от нас. Ако се съгласите да получавате съобщения от Dyson, ще Ви изпращаме информация за специални оферти и новини за новаторските ни продукти. Ние не продаваме данните Ви на трети страни; използваме информацията, която сте ни предоставили, според политиката за поверителност на личните данни, публикувана на уебсайта ни [privacy.dyson.com](https://www.dyson.com/privacy).

# BR

## INSTRUÇÕES IMPORTANTES DE SEGURANÇA

### LEIA E GUARDE ESTAS INSTRUÇÕES

ANTES DE INSTALAR OU USAR ESTA UNIDADE, LEIA TODAS AS INSTRUÇÕES E ALERTAS NESTE MANUAL E AS OBSERVAÇÕES SOBRE A INSTALAÇÃO.

PARA REDUZIR O RISCO DE INCÊNDIO, CHOQUE ELÉTRICO OU LESÃO CORPORAL, OBSERVE O SEGUINTE:

1. Este aparelho não se destina ao uso por pessoas (inclusive crianças) com capacidades físicas, sensoriais ou mentais reduzidas, ou com falta de experiência e conhecimento, exceto quando forem supervisionados ou instruídos com relação ao uso do aparelho por um indivíduo responsável pela sua segurança.
2. Não permita que a unidade seja usada para nenhuma outra finalidade que não seja lavar e secar as mãos. Use esta unidade somente da forma pretendida pela Dyson. Em caso de dúvidas, entre em contato com o Serviço de atendimento da Dyson.
3. Antes de realizar serviços de manutenção, desligue a energia no painel de manutenção. Certifique-se de que o interruptor está travado para evitar que a energia seja ligada acidentalmente. Quando os meios de corte da alimentação não puderem ser travados, afixe de forma segura um dispositivo de aviso visível, como uma etiqueta, no painel de manutenção.

As crianças devem ser supervisionadas para assegurar que não brinquem com o aparelho.

**NÃO UTILIZE NENHUM EQUIPAMENTO DE LAVAGEM A JATO PARA LIMPEZA DA UNIDADE OU PRÓXIMO A ELA.**

### AVISO

PARA REDUZIR O RISCO DE INCÊNDIO OU CHOQUE ELÉTRICO, NÃO USE ESTA UNIDADE COM DISPOSITIVOS DE CONTROLE DE VELOCIDADE EM ESTADO SÓLIDO.

TODAS AS INSTALAÇÕES E SERVIÇOS DE REPARO (ENCANAMENTO E ELÉTRICO) DEVEM SER REALIZADOS POR PESSOAL QUALIFICADO OU PELO TÉCNICO DE MANUTENÇÃO DA DYSON, DE ACORDO COM OS CÓDIGOS E AS NORMAS LOCAIS VIGENTES.

### CUIDADO

Seu secador de mãos deve ser usado em ambiente fechado. Faixa de temperatura de operação 0°C (32°F) a 40°C (104°F). Para reduzir o risco de incêndio ou choque elétrico, não deixe os mecanismos/componentes internos desta unidade expostos à umidade.

## OBRIGADO POR OPTAR PELA COMPRA DO SECADOR DE MÃOS DYSON AIRBLADE WASH+DRY

### ATENDIMENTO AO CLIENTE DA DYSON

Seu secador de mãos tem garantia de 5 anos, a contar da data da compra, sujeita aos termos da garantia limitada.

Faça o registro da sua garantia agora em [www.dyson.com](http://www.dyson.com).

Em caso questões sobre seu secador de mãos, ligue para o Departamento de Suporte da Dyson tendo em mãos o número de série e as informações de quando e onde seu produto foi adquirido.

Anote o número de série aqui para consultas futuras.

O número de série pode ser encontrado no canto inferior direito da placa traseira, em uma folha de registro na caixa e também no adesivo grande de informações localizado ao redor da torneira quando desembalada.



This illustration is for example purposes only.

Um guia de instalação completo acompanha a embalagem do secador de mãos. Ele contém informações detalhadas sobre a instalação correta da unidade, que DEVEM ser respeitadas completamente, inclusive o traçado da fiação elétrica. Os danos causados pela instalação incorreta não são cobertos pela garantia. Recomendamos a instalação de um filtro incorporado na lia de água para evitar danos que possam afetar a garantia.

BR

**OBSERVAÇÃO:** Antes de conectar o produto, certifique-se de que o fornecimento de água foi inteiramente limpo de detritos, limalhas de cobre, etc. Fracasso em seguir essa recomendação danificar a válvula solenóide.

As instruções deste manual e do guia de instalação devem ser seguidas completamente, já que a falha em fazê-lo poderá resultar em mau funcionamento, danos patrimoniais e/ou lesões corporais. Recomenda-se instalar uma válvula de isolamento junto com este produto durante sua instalação. A Dyson não se responsabilizará por quaisquer danos à propriedade ou lesão corporal ou quaisquer perdas de negócios ou receita, caso você, seus funcionários, instaladores ou técnicos de manutenção não seguirem as instruções apresentadas neste manual e no guia de instalação.

BR

## COMO CUIDAR DO SEU SECADOR DE MÃOS

### ⚠ AVISO

Este aparelho não deve ser usado em pias cujo ralo esteja tampado. Antes de abrir a torneira, certifique-se de que o ralo está desobstruído para que a água possa escoar livremente.

### COMO USAR

Coloque suas mãos embaixo do secador de mãos Dyson e ele se iniciará automaticamente, criando uma corrente de ar que retira a água das suas mãos.

Para melhores resultados de tempo de secagem:

- Posicione as mãos, espalmadas, nas laterais da superfície do equipamento, a aproximadamente 5 mm da saída de ar, movimentando-as, pela corrente de ar, dos pulsos até as pontas dos dedos.
- Mova as mãos lentamente pela corrente de ar a uma velocidade constante de aproximadamente 2,5 segundos para cada lado, alternando entre o dorso e a palma das mãos.
- Mantenha as mãos abertas, feche as aberturas entre os dedos e mantenha os polegares para dentro para garantir que o fluxo de ar envolva toda a mão.

## GUIA PARA A SOLUÇÃO DE PROBLEMAS

### ⚠ AVISO: RISCO DE CHOQUE ELÉTRICO!

Problema	Ação
O secador de mãos não liga.	Verifique se o fusível/disjuntor está funcionando e se o aparelho está ligado às fontes de eletricidade e água. Deve ser feita por um electricista qualificado. Certifique-se de que o tampão de limpeza foi retirado e de que os sensores estão limpos e desobstruídos. Se houver um método seguro de comutação disponível, ligue e desligue a unidade. Se não houver um método seguro disponível, será necessário que um electricista qualificado realize a tarefa.
O secador de mãos está ligando e desligando irregularmente.	Certifique-se de que os sensores estão limpos e desobstruídos. Verifique se o cabo do sensor da torneira está conectado com firmeza. Deve ser feita por um electricista qualificado.
O secador de mãos às vezes desliga quando está sendo utilizado, mas volta a funcionar depois de algum tempo.	Verifique se a entrada de ar está desobstruída e sem poeira. Remova toda a poeira da entrada de ar. Certifique-se de que a entrada de ar esteja desobstruída e que tenha espaço suficiente (consulte as instruções de instalação).

O tempo de secagem do secador de mãos aumentou.	Verifique se há poeira na entrada e remova-a. Verifique o filtro e troque-o, se necessário. Certifique-se de que a mangueira está conectada com firmeza à base da torneira, sem que haja vazamentos. Deve ser feita por um electricista qualificado.
O ar está funcionando continuamente do secador de mãos.	Certifique-se de que os sensores estão limpos e desobstruídos.
Não sai ar do secador de mãos.	Verifique se o fusível/disjuntor está funcionando e se o aparelho está ligado às fontes de eletricidade e água. Deve ser feita por um electricista qualificado. Certifique-se de que a mangueira de ar está conectada com firmeza à base da torneira, sem que haja vazamentos. Deve ser feita por um electricista qualificado. Verifique se o cabo do sensor da torneira está conectado com firmeza. Deve ser feita por um electricista qualificado.

## TORNEIRA

Problema	Ação
Não para de sair água da torneira.	Certifique-se de que os sensores estão limpos e desobstruídos.
Não sai água da torneira.	Certifique-se de que a alimentação elétrica e de água estão ligados e de que a válvula e de água e de que a válvula de isolamento está aberta. Deve ser feita por um electricista qualificado. Certifique-se de que o ventilador está livre de detritos. Remova-o e limpe-o/substitua-o, se necessário.
A água que sai da torneira está quente ou fria demais.	Entre em contato com o Departamento de suporte da Dyson.

Em caso de questões, entre em contato com o Departamento de Suporte da Dyson.

## UTILIZAÇÃO EM ÁREAS DE PREPARO DE ALIMENTOS

É necessária uma instalação especial para ambientes de preparação de alimentos, na qual o balde de motor e a mangueira devem ser completamente envolvidos em uma carcaça lavável ou o balde de motor deve ser instalado no lado reverso de uma parede, proporcionando espaço adequado para a limpeza embaixo da unidade (se aplicável) e de modo que a unidade esteja pelo menos a 2,5 metros dos alimentos não cobertos ou de superfícies de contato com alimentos não cobertas.

## LIMPEZA

O secador de mãos deve ser limpo diariamente.

Limpe os sensores com um pano macio e um produto de limpeza não abrasivo, depois cubra os sensores com o tampão de limpeza para impedir que a água e o ar sejam ativados.

Limpe toda a superfície da torneira, pia, espelho e paredes ou bancada. Quando concluída a limpeza, LEMBRE-SE de remover o tampão de limpeza.

Limpe REGULARMENTE as entradas de ar na base do balde motorizado (embaixo da pia).

Certifique-se de que o ralo da pia está desobstruído para que a água possa escoar livremente.

## INFORMAÇÕES IMPORTANTES

Não sujeite o lave a máquina com água de pressão.

Todos os produtos de limpeza devem ser utilizados exatamente conforme indicado nas instruções do fabricante (inclusive a diluição adequada).

Se um produto de limpeza for deixado no aparelho por muito tempo, uma película se formará. Esta película poderá reduzir a eficácia e danificar as superfícies antimicrobianas.

Todos os produtos químicos a serem utilizados devem antes ser testados em uma pequena área para confirmar que são adequados. É necessário ter cuidado para evitar que fluidos prejudiciais (diferentes dos produtos de limpeza) entrem em contato com o produto, principalmente óleos e produtos à base de álcool.

## DIRETRIZES RELACIONADAS À ÁGUA

Este secador de mãos tem certificação IP35.

O uso de equipamentos de lavagem a jato pode forçar água para dentro do invólucro.

O dano causado pela água devido à limpeza incorreta pode anular a sua garantia.

## LAVAGEM AUTOMÁTICA

A unidade está equipada com um sistema de descarga automática da água, que se ativa durante 60 segundos e 24 horas após a última utilização. Isso ajuda a reduzir a estagnação da água e a proliferação de bactérias dentro do produto.

Por favor, certifique-se de que as unidades estão sempre instaladas sobre uma bacia funcional com drenagem livre e conectada.

## DIRETRIZES PARA A SUBSTITUIÇÃO DO SOLENOIDE

Pode ser necessário substituir o solenoide em seu secador de mãos. Caso você suspeite que este seja o caso, entre em contato com o Departamento de Suporte da Dyson.

Na substituição do solenoide, o secador de mãos deve ser desligado das fontes de eletricidade e de água. Caso isso não seja feito, poderá causar lesões corporais graves e/ou danos patrimoniais.

## MANUTENÇÃO DO FILTRO

Verifique com frequência a entrada de ar para se certificar de que ela está livre de poeira e detritos. Basta passar um pano macio na entrada para eliminar poeira e detritos.

Se a entrada de ar ficar obstruída, talvez seja necessário limpar mais ou trocar o filtro.

Se necessário, para ambientes de uso intenso, o kit de troca de filtro da Dyson oferece tudo o que precisa para trocar, no lugar, o filtro HEPA da no local. Entre em contato com o Departamento de suporte da Dyson para obter mais informações.

A limpeza ou substituição do filtro de seu secador de mãos pode ser feita seguindo cuidadosamente as instruções fornecidas no kit de troca de filtro. Em caso de dúvida, consulte um electricista qualificado ou entre em contato com o Departamento de Suporte da Dyson.

## MANUTENÇÃO

Caso o seu secador de mãos precise de manutenção, ligue para o Departamento de Suporte da Dyson. Acesse também o site [www.dyson.com](http://www.dyson.com).

## INFORMAÇÕES DE DESCARTE

Os produtos Dyson são feitos de materiais altamente recicláveis. Recicle sempre que possível.

## SUA GARANTIA

Termos e condições da garantia de 5 anos da Dyson.

Se você registrou sua unidade online, sua garantia terá início a partir da data de compra. Guarde seu comprovante de compra. Se não possuir um comprovante de compra, sua garantia terá início 90 dias após a data de fabricação, de acordo com os registros da Dyson. Esta garantia será cancelada se a unidade for instalada e utilizada em um país que não aquele onde foi vendida.

## O QUE ESTÁ COBERTO

### GARANTIA DE 5 ANOS

Por um período de 5 anos, contados a partir do início da garantia, todas as peças de seu secador de mãos terão garantia contra defeitos de fábrica, material e de fabricação, quando o secador utilizado de acordo com o manual do proprietário e o guia de instalação. Comunique-se com a Línea Directa de Asistencia al Cliente de Dyson para obter más información.

Caso ocorra uma falha elétrica, a Dyson realizará o reparo sem custo de mão-de-obra durante o período da garantia.

A mão-de-obra para a substituição do conjunto de balde motorizado, filtro e solenoide não é coberta. Se essas peças falharem, serão fornecidas peças de reposição para que sejam instaladas pelo cliente.

Comunique-se com a Línea Directa de Asistencia al Cliente de Dyson para obter más información.

Se for necessário trocar o filtro, a Dyson fornecerá um kit de troca de filtro a ser instalado no local pelo cliente.

- Quaisquer peças devolvidas e substituídas tornar-se-ão propriedade da Dyson.
- A substituição de qualquer peça da sua unidade sob garantia não ampliará o período da garantia.
- A garantia oferece benefícios adicionais que não afetam seus direitos legais como consumidor.

## O QUE NÃO ESTÁ COBERTO

A Dyson não garante o reparo ou a substituição de um produto cujo defeito seja o resultado de:

- Dano acidental, falha causada por uso negligente ou descuidado, mau uso não intencional ou deliberado, negligência, vandalismo, falta de cuidado na operação ou manuseio da unidade, em desacordo com o Manual de Operação da Dyson.
- Uso de peças montadas ou instaladas que não estejam de acordo com as instruções da Dyson.
- Uso de peças e acessórios que não sejam componentes genuínos da Dyson.
- Instalação defeituosa ou instalação que não siga precisamente as instruções de instalação fornecidas pela Dyson (exceto quando for instalado pela própria Dyson).
- Reparos ou alterações que não estejam de acordo com as instruções da Dyson.

- Danos de fontes externas, como trânsito, clima, falta de energia elétrica ou picos de corrente.
- Desgaste normal (por exemplo: fusível, etc.).
- Dano causado por limpeza realizada em desacordo com as instruções deste manual, por exemplo, limpar com produtos químicos listados como perigosos para a unidade.
- Danos causados pela entrada de água devido a limpeza ou tratamento proibido neste manual.
- Qualquer dano elétrico, por água ou estrutural, ou qualquer perda de negócios ou renda como resultado da falha do produto. Se tiver dúvidas sobre o que está coberto pela garantia, entre em contato com a Dyson (ver detalhes na contracapa).

## RESUMO DA COBERTURA

- Deve-se fornecer o comprovante de entrega/compra (tanto o original quanto qualquer comprovante subsequente) antes que qualquer trabalho possa ser realizado em seu aparelho Dyson ou antes que qualquer peça de reposição seja fornecida. Sem tal comprovação, qualquer trabalho realizado ou quaisquer peças fornecidas incorrerão em custo para o proprietário. Guarde o seu recibo ou nota de entrega.
- Sujeito às exceções apresentadas acima, todo trabalho a ser realizado sob esta garantia será executado pela Dyson ou por seus representantes autorizados.

## SOBRE SUA PRIVACIDADE

### AO REGISTRAR SEU PRODUTO DYSON

- Você deve fornecer informações básicas de contato para registrar seu produto e a garantia.
- Ao registrar, você terá a oportunidade de indicar se gostaria de receber nossas comunicações. Se aceitar receber comunicações da Dyson, enviaremos informações sobre ofertas especiais e notícias de novos lançamentos. Nunca vendemos suas informações a terceiros e usamos as informações que compartilhar conosco apenas como definido em nossa política de privacidade disponível no site da Dyson. [privacy.dyson.com](http://privacy.dyson.com)

Este produto contém a placa WIFIAMFA001 código de homologação Anatel 04492-1610034



# CA

## IMPORTANT SAFETY INSTRUCTIONS

### READ AND SAVE THESE INSTRUCTIONS

**BEFORE INSTALLING OR USING THIS UNIT READ ALL INSTRUCTIONS AND CAUTIONARY MARKINGS IN THIS MANUAL AND THE INSTALLATION NOTES.**

**TO REDUCE THE RISK OF FIRE, ELECTRIC SHOCK OR INJURY TO PERSONS, OBSERVE THE FOLLOWING:**

1. This unit is not intended for use by persons (including children) with reduced physical, sensory or reasoning capabilities, or lack of experience and knowledge, unless they have been given supervision or instruction concerning use of the unit by a person responsible for their safety.
2. Do not allow the unit to be used for any purpose other than washing and drying hands. Use this unit only in the manner intended by the manufacturer. If you have questions, contact the manufacturer.
3. Before servicing, switch the power off at the service panel. Ensure the switch is locked to prevent the power from being switched on accidentally. If the means of switching off the power cannot be locked, securely fasten a prominent warning device, such as a tag, to the service panel.

Children should be supervised to ensure that they do not play with the unit.

**DO NOT USE ANY PRESSURE WASHING EQUIPMENT FOR CLEANING ON OR NEAR THIS UNIT.**

### WARNING

**TO REDUCE THE RISK OF FIRE OR ELECTRIC SHOCK, DO NOT USE THIS APPLIANCE WITH ANY SOLID-STATE SPEED CONTROL DEVICE**

**WARNING: RISK OF ELECTRIC SHOCK!**

**ALL ELECTRICAL REPAIR WORK MUST BE DONE BY QUALIFIED ELECTRICIAN(S) OR DYSON SERVICE TECHNICIAN IN ACCORDANCE WITH ALL NATIONAL, PROVINCE/TERRITORY, AND LOCAL LAWS AND APPLICABLE CODES AND STANDARDS, INCLUDING FIRE-RATED CONSTRUCTION. IF CASING IS REMOVED OR HANDLED IMPROPERLY THE INTERNAL COMPONENTS OF THE UNIT MAY CAUSE HARM OR BECOME PERMANENTLY DAMAGED.**

### CAUTION

Your hand dryer should be located indoors. Operating temperature range 0°C (32°F) to 40°C (104°F). To reduce the risk of fire or electric shock, do not expose the internal mechanisms/components of this unit to moisture.

## THANK YOU FOR CHOOSING TO BUY A DYSON AIRBLADE TAP HAND DRYER

### DYSON CUSTOMER CARE

Your hand dryer is covered for 5 years from the date of purchase, subject to the terms of the limited warranty.

Register your warranty now at: [www.dysoncanada.ca](http://www.dysoncanada.ca).

If you have any questions about your hand dryer, call the Dyson Helpline with your serial number and details of where and when you bought the unit.

Note your serial number here for future reference.

Your serial number can be found on the bottom right hand corner of the backplate, on a registration sheet in the box, and also on the large information sticker which can be found around the tap when the unit is unpacked.



This illustration is for example purposes only.

A comprehensive installation guide is enclosed with the hand dryer packaging. This contains detailed information on the correct installation of the unit, which **MUST** be adhered to completely, including routing of electrical cables. Damage caused by incorrect installation is not covered by your warranty. The fitting of an in-line filter is advised to prevent any damage that may affect your warranty.

CA  
CAFR

NOTE: Ensure that the water feed is completely flushed of debris, copper filings etc. prior to connecting to the product. Failure to do so will damage the solenoid valve. The instructions in this manual and the installation guide must be followed completely, as failure to do so may result in incorrect operation, damage to property and/or personal injury. It is recommended that an isolation valve is fitted with this product during installation. Dyson will not be held liable for any damage to property or personal injury, or any loss of business or revenue, if you, your staff, your installer or service technicians have not followed the instructions given in this manual and the installation guide.

CA  
CAFR

## LOOKING AFTER YOUR HAND DRYER

### WARNING

This product is not to be used in sinks where a plug is fitted. Before engaging the water flow ensure that the plughole is clear of any obstructions and that water can drain freely.

### HOW TO USE

Place your hands beneath the centre of the tap and water will flow automatically for as long as the hands remain in place.

For best dry time results:

- Place your hands to either side of the centre tap to activate the hand dryer, creating sheets of air to scrape water from your hands.
- Move your hands backwards and forwards slowly through the air, turning them over so both back and front are exposed to the airflow.
- Keep your hands flat, close the gaps between your fingers and keep your thumbs in to ensure that the whole of your hand is drawn through the airflow.

## TROUBLESHOOTING GUIDE

### WARNING: RISK OF ELECTRIC SHOCK!

Problem	Action
The hand dryer fails to start.	Check fuse/circuit breaker is working and that the power is connected. Must be performed by a qualified electrician. Ensure the cleaning cap is removed and that the sensors are clean and unobstructed. If a safe method of switching is available, turn the unit on and off. If a safe method is not available, a qualified electrician must perform this task.
The hand dryer is turning on and off erratically.	Ensure sensors are clean and free from obstructions. Check that the sensor cable from the tap is securely connected. Must be performed by a qualified electrician.
The hand dryer sometimes cuts out when in use but resumes operation after a period of time.	Check the air inlet is clean and free of dust. Remove any dust from the air inlet. Ensure that the air inlet is free from obstructions and has sufficient clearance (see installation instructions).

The dry time of the hand dryer has increased.	Inspect the inlet grille for dust and remove. Inspect filter and change if required. Ensure that the hose is securely attached to the base of the tap and no leaks are present. Must be performed by a qualified electrician.
Air is continuously running from the hand dryer.	Ensure sensors are clean and free from obstructions.
There is no air coming from the hand dryer.	Check fuse/circuit breaker is working and that the power is connected. Must be performed by a qualified electrician. Ensure that the air hose is securely attached to the base of the tap and no leaks are present. Must be performed by a qualified electrician. Check that the sensor cable from the tap is securely connected. Must be performed by a qualified electrician.

## TAP

Problem	Action
Water is continuously coming from the tap.	Ensure sensors are clean and free from obstructions.
There is no water coming from the tap.	Ensure that the power and water supplies are turned on and that the isolation valve is open. Must be performed by a qualified electrician. Ensure that the aerator is free from debris, remove and clean/replace if necessary.
The water coming from the tap is overly hot or cold.	Contact the Dyson Helpline.

If you have any further questions please contact the Dyson Helpline.

## USE IN FOOD PREPARATION AREAS

For food preparation environments special installation is required, which must fully enclose the motor bucket and hose in a cleanable housing or have the motor bucket on the reverse side of a wall, provide adequate clearance for cleaning underneath (if applicable) and be such that the unit is at least 2.5 metres (8.20 feet) from uncovered food or uncovered food-contact surfaces.

## CLEANING

The hand dryer should be cleaned daily.

Wipe sensors using a soft cloth and non-abrasive cleaner then place cleaning cap over sensors to prevent air and water from being activated.

Clean all tap surfaces, sink, mirror and any walls or counter tops. When complete

REMEMBER to remove cleaning cap.

REGULARLY clean air inlets on base of motor bucket (under sink). Ensure plughole in sink is free from blockages so water can drain freely.

## IMPORTANT INFORMATION

Do not pressure wash the appliance.

All cleaning chemicals should be used exactly as indicated by the manufacturer's instructions (including appropriate dilution).

If a cleaning product is left on the machine for too long, a film will form. This may reduce the effectiveness of the antimicrobial surfaces.

Any chemicals intended for use should first be tested on an inconspicuous area to confirm suitability. Aside from cleaning chemicals, care should be taken to avoid any harmful fluids from coming into contact with the product, in particular oils and alcohol-based products.

## WATER GUIDELINES

This hand dryer has an IP35 certification.

Use of pressure washers can force water inside the casing.

Water damage caused by incorrect cleaning will invalidate your warranty.

## AUTOMATIC DUTY FLUSH

The unit is equipped with a fixed automatic water flush, which activates for 60 seconds 24 hours after last use. This helps reduce water stagnation and bacteria proliferation within the product.

Please ensure the unit is always installed over a functional basin with free and connected drainage.

## SOLENOID REPLACEMENT GUIDELINES

It may be necessary to replace the solenoid on your hand dryer. If you suspect this is the case, please contact the Dyson Helpline.

When replacing the solenoid, the hand dryer must be disconnected from the mains electricity and water supply. Failure to do so could lead to serious injury and/or damage to property.

## FILTER MAINTENANCE

Regularly check the air inlet to ensure that it is free from dust and debris. Simply wiping the inlet with a soft cloth should be sufficient to remove dust and debris.

If the air inlet gets clogged, further cleaning or a filter change might be required.

If required for high usage environments, a Dyson filter change kit provides everything needed to change your unit's HEPA filter on site. Contact the Dyson Helpline for more information.

Filter cleaning or replacement for your hand dryer can be carried out by carefully following the instructions given in the filter change kit. If in any doubt, consult a qualified electrician or contact the Dyson Helpline for support.

## SERVICING

If your hand dryer needs servicing, please call the Dyson Helpline. Also visit the website at [www.dysoncanada.ca](http://www.dysoncanada.ca).

CA

CAFR

## DISPOSAL INFORMATION

Dyson products are made from high grade recyclable materials. Recycle where possible.

## YOUR WARRANTY

### TERMS AND CONDITIONS OF THE DYSON 5 YEAR LIMITED WARRANTY.

If you have registered your unit online, your warranty will start from the date of purchase. Please retain your proof of purchase. If you do not have your proof of purchase, your warranty will start 90 days after the date of manufacture, according to Dyson's records. This warranty will be void if the unit is installed and used in a country outside the one in which it was sold.

## WHAT IS COVERED

### 5 YEAR LIMITED WARRANTY

All factory parts of your hand dryer are warranted against original defects, material and workmanship when used in accordance with the owner's manual and installation guide for a period of 5 years from the start of your warranty.

Please call the Dyson Helpline for more information.

In instances where electrical failures occur, Dyson will, during the guarantee period carry out the repair with no labour charge.

The replacement of the motor bucket assembly, filter and solenoid are not covered for labour. If these parts fail, replacement parts will be provided to be fitted on site by the customer.

Please call the Dyson Helpline for more information.

In the event of electrical failure, for five years from the start of the limited warranty, Dyson will perform the repairs without labor cost. After this period, the usual charges will apply. "Electrical failures" specifically exclude any plumbing-related failures. In cases where replacement of the faucet, motor hub assembly or solenoid is required, Dyson will provide replacement parts for you to make arrangements at your facility; This limited warranty does not cover any cost or labor charge related to faucet replacement, engine hub assembly, or solenoid.

- Any parts which are returned and replaced by Dyson will become the property of Dyson.
- The replacement of any part of your unit under warranty will not extend the period of warranty.
- This warranty provides benefits which are additional to and do not affect any statutory rights you may have as a consumer.

## WHAT IS NOT COVERED

Dyson Canada Limited shall not be liable for costs, damages or repairs incurred as a result of, due to, or from:

- Purchases of appliances from unauthorized dealers.
- Careless operation or handling, misuse, abuse and/or lack of maintenance or use not in accordance with the Dyson Operating Manual.
- Use of parts not assembled or installed in accordance with the instructions of Dyson.
- Use of parts and accessories which are not genuine Dyson components.
- Faulty installation, or installation that does not precisely follow the installation instructions supplied by Dyson (except where installed by Dyson).
- Repairs or alterations carried out other than in accordance with instructions by Dyson.

- Damage from external sources such as transit, weather, electrical outages or power surges.
- Normal wear and tear (e.g. fuse, etc.).
- Damage caused by cleaning which is not in line with the instructions in this manual. Do not use chemicals to clean the unit.
- Damage caused by water ingress due to cleaning or treatment prohibited in this manual.
- Any electrical, flooding or structural damage, or any loss of business or revenue as a result of product failure. If you are in any doubt as to what is covered by your warranty, please contact Dyson (details on the back cover).

## WARRANTY LIMITATIONS AND EXCLUSIONS

- Any implied warranties relating to your appliance including but not limited to warranty of merchantability or warranty of fitness for a particular purpose, are limited to the duration of this warranty. This limitation is not allowed by some Provinces and/or Territories and so this limitation may not apply to you.
- Your remedy for breach of this warranty is limited to the warranty service described above.
- Dyson Canada Limited will not be liable for any consequential damages or incidental damages you may incur in connection with the purchase and use of your appliance.
- This limited warranty gives you specific legal rights. You may also have other rights which vary by Province and/ or Territory.
- This limited warranty is not transferable.
- This limited warranty is only available in Canada.

## WHEN REGISTERING YOUR DYSON APPLIANCE:

- You will need to provide us with basic contact information to register your product and enable us to support your warranty.
- When you register, you will have the opportunity to choose whether you would like to receive communications from us. If you opt-in to communications from Dyson, we will send you details of special offers and news of our latest innovations. We never sell your information to third parties and only use information that you share with us as defined by our privacy policies which are available on our website at [privacy.dyson.com](http://privacy.dyson.com).

# CAFR

## CONSIGNES DE SÉCURITÉ IMPORTANTES

### LISEZ CES CONSIGNES ET CONSERVEZ-LES

**AVANT D'INSTALLER OU D'UTILISER CET APPAREIL, VOUS ÊTES TENU DE LIRE TOUTES LES INSTRUCTIONS ET MISES EN GARDE CONTENUES DANS LE PRÉSENT GUIDE ET CELUI DE L'INSTALLATION.**

**POUR RÉDUIRE TOUT RISQUE D'INCENDIE, DE CHOC ÉLECTRIQUE OU DE BLESSURE, VOUS ÊTES TENU DE RESPECTER LES INSTRUCTIONS SUIVANTES :**

1. Cet appareil n'est pas conçu pour être utilisé par les enfants ni des personnes dont les capacités physiques, sensorielles ou de raisonnement sont réduites, ou qui manquent d'expérience ou de connaissances, à moins qu'une personne responsable ne les supervise ou leur indique comment utiliser l'appareil de façon sécuritaire.
2. Vous ne devez en aucun cas permettre l'utilisation de cet appareil à d'autres fins que le lavage et le séchage des mains. Veuillez utiliser cet appareil uniquement de la manière recommandée par le fabricant. Si vous avez des questions, veuillez communiquer avec le fabricant.
3. Avant de procéder à un entretien ou une réparation, coupez l'alimentation au panneau de service. Assurez-vous que l'interrupteur est verrouillé pour empêcher toute remise sous tension accidentelle. Si le dispositif de sectionnement ne peut pas être verrouillé, apposez un avertissement bien visible et fixé solidement, comme une étiquette, sur le panneau de service.

Les enfants doivent être surveillés afin de s'assurer qu'ils ne jouent pas avec l'appareil.

**N'UTILISEZ PAS D'ÉQUIPEMENT DE NETTOYAGE AU JET POUR NETTOYER CET APPAREIL OU EFFECTUER DES NETTOYAGES À PROXIMITÉ DE CE DERNIER.**

### **⚠ AVERTISSEMENT**

**POUR RÉDUIRE LE RISQUE D'INCENDIE OU DE CHOC ÉLECTRIQUE, N'UTILISEZ PAS CET APPAREIL CONJOINTEMENT AVEC UN DISPOSITIF DE CONTRÔLE DE LA VITESSE À SEMI-CONDUCTEURS.**

**AVERTISSEMENT : RISQUE DE CHOC ÉLECTRIQUE!**

**TOUS LES TRAVAUX DE RÉPARATION ÉLECTRIQUE DOIVENT ÊTRE EFFECTUÉS PAR UN ÉLECTRICIEN QUALIFIÉ OU UN INGÉNIEUR DU SERVICE DE RÉPARATIONS DYSON CONFORMÉMENT AUX LOIS FÉDÉRALES, PROVINCIALES ET MUNICIPALES AINSI QU'AUX CODES ET NORMES APPLICABLES, Y COMPRIS LA CONSTRUCTION À INDICE DE RÉSISTANCE AU FEU. SI LE BOÎTIER EST RETIRÉ OU MANIPULÉ DE MANIÈRE INAPPROPRIÉE,**

**LES COMPOSANTS INTERNES DE L'APPAREIL PEUVENT CAUSER DES BLESSURES OU S'ENDOMMAGER DE MANIÈRE PERMANENTE.**

### **⚠ AVERTISSEMENT**

Le sèche-mains Dyson doit être installé ou entreposé à l'intérieur. Plage de température de fonctionnement de 0 °C à 40 °C (32 °F à 104 °F). Pour réduire le risque d'incendie ou de choc électrique, veillez à ne pas exposer à l'humidité les mécanismes et composants internes de l'appareil.

## NOUS VOUS REMERCIONS D'AVOIR CHOISI D'ACHETER UN SÈCHE-MAINS DYSON AIRBLADE WASH+DRY

### ASSISTANCE À LA CLIENTÈLE DYSON

Votre sèche-mains est couvert par une garantie de 5 ans à compter de la date d'achat, sous réserve des conditions de la garantie.

Enregistrez votre garantie à l'adresse: [www.dysoncanada.ca](http://www.dysoncanada.ca).

Si vous avez des questions au sujet de votre sèche-mains Dyson, composez le numéro de la ligne d'assistance Dyson en ayant en main le numéro de série de votre appareil et la facture détaillée de votre achat.

Inscrivez ici le numéro de série aux fins de référence future.

Le numéro de série est inscrit dans le coin droit inférieur de la plaque arrière, sur la fiche d'enregistrement dans la boîte ainsi que sur le grand autocollant d'information apposé sur le robinet visible lorsque l'on déballe l'appareil.



Cette illustration est fournie à titre d'exemple uniquement.

Un guide d'installation détaillé est fourni avec le sèche-mains. Il contient de l'information détaillée sur l'installation adéquate de l'appareil et qui DOIT être intégralement respectée, notamment la pose des fils électriques.

Tout dommage résultant d'une installation non conforme n'est pas couvert par votre garantie.

CA  
CAFR

L'installation d'un filtre en ligne est conseillée pour éviter tout dommage pouvant avoir des répercussions sur votre garantie.

**REMARQUE :** Avant le raccordement au produit, vérifiez que tous les débris, copeaux de cuivre, etc. sont éliminés de l'alimentation en eau. Dans le cas contraire, le solénoïde sera endommagé.

Les instructions contenues dans le présent guide et celui de l'installation doivent être scrupuleusement suivies; le non-respect de ces instructions peut causer un mauvais fonctionnement, des dommages aux biens ou des blessures corporelles. Il est recommandé d'installer un robinet d'isolement avec ce produit durant l'installation. Dyson ne saurait être tenue responsable des dommages aux biens ou des blessures corporelles, ou de toute perte commerciale ou de produit, découlant du non-respect des instructions contenues dans le présent guide et celui de l'installation, que ce soit de votre part, par l'installateur ou le technicien d'entretien.

CA  
CAFR

## SOINS À APPORTER À VOTRE SÈCHE-MAINS

### AVERTISSEMENT

Ce produit ne doit pas être utilisé dans les éviers dotés d'un bouchon. Avant de faire couler l'eau, assurez-vous que l'orifice du bouchon est exempt de toute obstruction et que l'eau peut s'écouler librement.

### COMMENT L'UTILISER

Placez vos mains sous le centre du robinet et l'eau coulera automatiquement tant que vous gardez les mains sous le robinet.

Pour un séchage rapide :

- Placez vos mains d'un côté ou de l'autre du robinet central pour mettre en marche le sèche-mains et créer des lames d'air pour éliminer l'eau sur vos mains.
- Déplacez vos mains vers l'arrière et l'avant lentement dans le jet d'air, en les retournant afin d'en exposer les deux côtés au jet d'air.
- Maintenez les mains plates, fermez les espaces entre les doigts et maintenez le pouce à l'intérieur afin d'assurer que la totalité de la main passe dans le flux d'air.

## GUIDE DE DÉPANNAGE

### AVERTISSEMENT : RISQUE DE CHOC ÉLECTRIQUE!

Problème	Mesure
Le sèche-mains ne se met pas en marche.	Assurez-vous que le fusible ou le coupe-circuit fonctionne et que l'alimentation électrique et l'alimentation en eau sont branchées. Cette tâche doit être effectuée par un électricien qualifié. Assurez-vous que le capuchon de protection est retiré et que les capteurs sont propres et exempts de toute obstruction. S'il existe une méthode de mise hors tension sécuritaire, mettez l'appareil hors tension et sous tension. Dans le cas contraire, cette tâche doit être effectuée par un électricien qualifié.
Le sèche-mains se met en marche et s'arrête par à-coups.	Assurez-vous que les capteurs sont propres et exempts de toute obstruction. Assurez-vous que le fil du capteur du robinet est bien branché. Cette tâche doit être effectuée par un électricien qualifié.
Le sèche-mains s'arrête parfois en cours d'utilisation, et se remet en marche après un certain temps.	Assurez-vous que l'admission d'air est propre et exempte de poussière. Nettoyez la poussière accumulée dans le conduit d'admission d'air. Assurez-vous que le conduit d'admission d'air est exempt de toute obstruction et qu'il présente un dégagement suffisant (voir les instructions d'installation).
Le temps de séchage a augmenté.	Examinez l'admission d'air et éliminez toute accumulation de poussière le cas échéant. Examinez le filtre et remplacez-le si nécessaire. Assurez-vous que le tuyau est bien fixé à la base du robinet et qu'il n'y a aucune fuite. Cette tâche doit être effectuée par un électricien qualifié.
De l'air sort constamment du sèche-mains.	Assurez-vous que les capteurs sont propres et exempts de toute obstruction.
Le sèche-mains ne produit aucun jet d'air.	Assurez-vous que le fusible ou le coupe-circuit fonctionne et que l'alimentation électrique et l'alimentation en eau sont branchées. Cette tâche doit être effectuée par un électricien qualifié. Assurez-vous que le tuyau d'air est bien fixé à la base du robinet et qu'il n'y a aucune fuite. Cette tâche doit être effectuée par un électricien qualifié. Assurez-vous que le fil du capteur du robinet est bien branché. Cette tâche doit être effectuée par un électricien qualifié.

## ROBINET

Problème	Mesure
De l'eau s'écoule constamment du robinet.	Assurez-vous que les capteurs sont propres et exempts de toute obstruction.
L'eau ne s'écoule pas du robinet.	Assurez-vous que l'alimentation électrique et l'alimentation en eau fonctionnent et que le robinet d'isolement est ouvert. Cette tâche doit être effectuée par un électricien qualifié. Assurez-vous que l'aérateur est exempt de particules; il faut le retirer, puis le nettoyer ou le remplacer au besoin.
L'eau s'écoulant du robinet est trop chaude ou trop froide.	Communiquez avec le service d'assistance de Dyson.

Si vous avez d'autres questions, composez le numéro du service d'assistance téléphonique de Dyson.

## UTILISATION DANS DES ZONES DE PRÉPARATION DES ALIMENTS

Une installation spéciale est requise dans les zones de préparation des aliments. Le bloc moteur et le tuyau souple doivent alors être complètement enfermés dans un boîtier nettoyable ou le bloc moteur doit être placé de l'autre côté de la paroi, l'espace au-dessous doit être suffisant pour permettre le nettoyage (le cas échéant) et l'unité doit être située à au moins 2,5 mètres (8,20 pieds) de toute nourriture non couverte ou de toute surface non couverte en contact avec des aliments.

## NETTOYAGE

Le sèche-mains doit être nettoyé tous les jours.

Essayez les capteurs à l'aide du chiffon doux et d'un produit nettoyant non abrasif; placez les capuchons sur les capteurs afin d'éviter d'activer l'alimentation en air et en eau. Nettoyez toutes les surfaces du robinet, le lavabo, le miroir et les murs ainsi que les comptoirs. Une fois terminé, N'OUBLIEZ PAS de retirer les capuchons des capteurs. Nettoyez RÉGULIÈREMENT les points d'admission de l'air à la base de l'enveloppe du moteur (sous le lavabo). Assurez-vous que l'orifice du bouchon, dans le lavabo, est exempt de toute obstruction et que l'eau peut s'écouler librement.

## RENSEIGNEMENTS IMPORTANTS

Ne pas nettoyer l'appareil sous pression.

Tous les produits chimiques de nettoyage doivent être utilisés exactement selon les instructions du fabricant (y compris le processus de dilution approprié).

Si un produit chimique de nettoyage reste pendant une trop longue période au contact de l'appareil, il se forme alors une pellicule. La présence de cette pellicule peut réduire l'efficacité des surfaces traitées aux additifs antimicrobiens et les endommager.

Tout produit chimique devant être utilisé doit être auparavant testé sur une surface non visible afin de confirmer s'il convient. Outre les produits chimiques de nettoyage, il faut faire preuve de précaution afin d'éviter que des liquides nocifs n'entrent en contact avec l'appareil, en particulier les produits à base d'huile ou d'alcool.

## DIRECTIVES S'APPLIQUANT À L'UTILISATION D'EAU

Ce sèche-mains présente une certification IP35.

L'utilisation d'un pulvérisateur à jet d'eau sous pression peut avoir pour conséquence que de l'eau pénètre dans le boîtier.

Tout dommage dû à la présence d'eau et résultant d'un nettoyage inadéquat entraîne l'annulation de votre garantie.

## RINÇAGE AUTOMATIQUE

L'unité est équipée d'un système de rinçage automatique fixe qui s'active pendant 60 secondes 24 heures après la dernière utilisation. Cette fonction permet de réduire la stagnation d'eau et la prolifération de bactéries dans le produit.

Veillez vous assurer que l'unité est toujours installée au-dessus d'un lavabo fonctionnel avec une évacuation libre et reliée au réseau.

## DIRECTIVES DE REMPLACEMENT DU SOLÉNOÏDE

Il peut s'avérer nécessaire de remplacer le solénoïde de votre sèche-mains. Si vous soupçonnez que cet élément est défectueux, veuillez communiquer avec le service d'assistance de Dyson. Durant le remplacement du solénoïde, il faut couper l'alimentation électrique et l'alimentation en eau du sèche-mains. L'omission de cette étape pourrait provoquer des blessures sérieuses et des dommages matériels.

## ENTRETIEN DU FILTRE

Vérifiez régulièrement l'admission pour vous assurer qu'elle est exempte de poussière et de particules. Il devrait être suffisant d'essuyer l'admission à l'aide d'un chiffon doux pour éliminer la poussière et les particules.

Si le conduit d'admission d'air est obstrué, il peut être nécessaire de procéder à un nettoyage plus approfondi ou de remplacer le filtre.

S'il est utilisé dans un environnement à forte fréquentation, une trousse de remplacement pour le filtre Dyson vous fournit tout ce qu'il vous faut pour remplacer le filtre HEPA sur les lieux.

Pour plus d'information, veuillez communiquer avec le service d'assistance Dyson.

Le nettoyage ou remplacement du filtre sur le sèche-mains Dyson doit être effectué en suivant méticuleusement les instructions fournies avec la trousse de remplacement du filtre. En cas de doute, consultez un électricien qualifié ou composez le numéro de la ligne d'assistance Dyson pour obtenir du soutien.

## RÉPARATIONS

Si votre sèche-mains a besoin d'être réparé, veuillez composer le numéro de la ligne d'assistance Dyson. Visitez également le site Web Dyson à l'adresse [www.dysoncanada.ca](http://www.dysoncanada.ca).

## INFORMATION RELATIVE À L'ÉLIMINATION DU PRODUIT

Les produits Dyson sont fabriqués à partir de matériaux hautement recyclables. Recyclez-les dans la mesure du possible.

CA

CAFR

## VOTRE GARANTIE

### CONDITIONS DE LA GARANTIE LIMITÉE DYSON DE CINQ ANS

Si vous avez enregistré votre appareil en ligne, votre garantie est valide à compter de la date d'achat. Veuillez conserver votre preuve d'achat. Si vous n'avez plus votre preuve d'achat, votre garantie prend effet à 90 jours à compter de la date de fabrication, selon les dossiers de Dyson.

La présente garantie s'annule si l'appareil est installé ou utilisé dans un autre pays que celui où il a été acheté.

### CE QUI EST COUVERT

#### GARANTIE DE 5 ANS

Toutes les pièces usinées du sèche-mains sont garanties, pendant une durée de cinq ans à compter de la date d'entrée en vigueur de la garantie, contre tout défaut de fabrication, de matériau et de main-d'œuvre lorsque ce dernier est utilisé conformément au guide d'utilisation. Pour plus d'information, veuillez composer le numéro de la ligne d'assistance Dyson.

Pour plus d'information, veuillez composer le numéro de la ligne d'assistance Dyson.

Dans les cas où des pannes électriques se produisent, Dyson effectuera la réparation sans frais de main-d'œuvre pendant la période de garantie.

La main-d'œuvre est facturée en cas de remplacement du bloc moteur, du filtre et du solénoïde. En cas de défaillance de ces pièces, des pièces de rechange, que le client devra installer lui-même sur site, seront fournies.

Pour plus d'information, veuillez composer le numéro de la ligne d'assistance Dyson.

En cas de défektivité électrique, pendant une période de cinq ans à compter de l'entrée en vigueur de la garantie limitée, Dyson effectuera les réparations sans frais de main-d'œuvre.

Au-delà de cette période, les frais habituels s'appliqueront. Une « défektivité électrique » exclut tout particulièrement les défektivités relatives à la plomberie. Dans le cas où il faut remplacer le robinet, le moyeu du moteur ou le solénoïde, Dyson vous fournira les pièces de rechange afin que vous preniez les mesures nécessaires en vos locaux; la présente garantie limitée ne couvre pas les coûts ou les frais de main-d'œuvre se rapportant au remplacement du robinet, du moyeu du moteur ou du solénoïde.

- Toute pièce retournée et remplacée devient la propriété de Dyson.
- Le remplacement de toute pièce sur votre appareil Dyson ne prolonge en aucun cas la durée de la garantie.
- Cette garantie limitée offre des avantages qui viennent s'ajouter à vos droits légaux en tant que consommateur, sans aucune incidence sur ces droits.

### CE QUI N'EST PAS COUVERT

Dyson Canada Limited est déchargée de toute responsabilité pour les coûts, dommages ou réparations engendrés par les situations découlant de ce qui suit :

- Achat d'un appareil auprès d'un détaillant non autorisé;
- Utilisation ou manipulation négligente, mauvaise utilisation, manque d'entretien ou utilisation non conforme au guide d'utilisation Dyson;
- Utilisation de pièces dont l'assemblage ou l'installation n'est pas conforme aux instructions de Dyson.
- Utilisation de pièces et d'accessoires qui ne sont pas des pièces d'origine de Dyson.

- Installation inadéquate ou ne respectant pas scrupuleusement les instructions fournies par Dyson (à l'exception d'une installation effectuée par Dyson).
- Réparations ou modifications effectuées de manière non conforme aux instructions de Dyson.
- Dommages causés par des conditions externes comme le transport, les conditions climatiques, les coupures de courant ou les hausses de tension.
- Usure et détérioration normales (p. ex., fusible).
- Dommages causés par une procédure de nettoyage qui n'est pas conforme aux instructions contenues dans ce guide, par exemple, un nettoyage effectué avec des produits chimiques ou considérés comme nuisibles pour l'appareil.
- Dommages causés par la pénétration d'eau dans l'appareil résultant d'un nettoyage ou d'un traitement interdit conformément aux instructions contenues dans le présent guide.
- Dyson ne sera pas responsable pour tout dommage structurel, de nature électrique ou causé par submersion dans l'eau, ou toute perte commerciale ou de revenus résultant de la défaillance du produit. Si vous avez des doutes quant à ce qui est couvert par la garantie, veuillez communiquer avec Dyson (voir détails au verso).

### RESTRICTIONS ET EXCLUSIONS DE GARANTIE

- Toutes les garanties implicites liées à votre appareil, y compris, mais sans s'y limiter, les garanties de qualité marchande ou de convenance à un usage particulier sont limitées à la durée de la présente garantie. Cette limitation n'est pas permise dans certaines provinces et territoires et, par conséquent, peut ne pas s'appliquer à vous.
- Le recours dont vous disposez eu égard à la violation de la présente garantie est limité aux stipulations décrites ci-dessous.
- Dyson Canada Limited décline toute responsabilité pour tout dommage consécutif ou accessoire subi lié à l'achat ou l'utilisation de votre appareil.
- La présente garantie vous confère des droits juridiques particuliers. Vous pouvez aussi avoir d'autres droits selon la province ou le territoire où vous résidez.
- La présente garantie limitée est inaccessibile.
- La présente garantie limitée est disponible uniquement au Canada.

### LORSQUE VOUS ENREGISTREZ VOTRE APPAREIL DYSON:

- Vous devez nous fournir des coordonnées de base afin d'enregistrer votre produit et nous permettre de vous assurer de notre garantie.
- Lorsque vous vous enregistrez, vous pouvez choisir si vous souhaitez recevoir des communications de notre part. Dans l'affirmative, nous vous enverrons des descriptions détaillées de nos offres spéciales et des nouvelles sur nos toutes dernières innovations. Nous nous engageons à ne pas céder vos données personnelles à des tiers et à utiliser uniquement les renseignements que vous nous transmettez tel que défini dans nos politiques sur la protection de la vie privée qui sont disponibles sur notre site Web. [privacy.dyson.com](http://privacy.dyson.com).



# CN

## 重要安全说明

### 请阅读并妥善保管这些说明

安装或使用此设备之前，请阅读本手册和安装说明中的全部说明及警告提示

为了降低火灾、触电或人员受伤的危险，请遵循以下要求：

1. 本设备不适合于身体、感觉或智力残障人士（包括儿童）以及缺乏相关经验和知识的人员使用，除非得到负责其安全的人员监护或指导。
2. 不要将设备用作洗手和烘手以外的任何用途。请严格按照戴森预定的方式使用本设备。如果有任何问题，请联系戴森客户帮助热线。
3. 维修前，在维修面板处断开电源。确保开关被锁定，以防电源意外开启。如果无法锁定维修断电装置，请将显眼的警告标志（例如标签）牢牢系于维修面板。
4. 请照顾好儿童，确保他们不会玩弄本设备。

请勿在本设备上或附近使用任何高压清洗设备进行清洁。

### 警告

为了降低火灾或触电的危险，请勿将本设备与任何固态速度控制设备一起使用

所有安装和维修工作（管道和电气）应由合格的人员或戴森服务工程师根据当地法规或规定进行。

### 注意

干手器应置于室内。工作环境温度介于 0°C (32°F) 至 40°C (104°F) 之间。为了减少火灾和触电的危险，不要将本设备内部的装置及零件暴露在潮湿的空气中。

## 感谢您选择购买 DYSON AIRBLADE WASH+DRY 干手器

### 戴森客户服务

根据有限保修的条款，自购买之日起，您的干手器保修 5 年。

立即注册您的保修，网址：[www.dyson.com](http://www.dyson.com)

关于干手器，如果您有任何问题，请拨打戴森客户帮助热线，将干手器序列号和购买干手器的详细时间和地点信息提供给我们。

请在此处记录您的产品序列号，以备日后查用。

您可以在背面板右下角、箱中登记表上找到序列号，也可在拆除设备包装时在水龙头周围的大号信息标签上找到序列号。



本图仅供示例之用。

干手器的包装中附有全面的安装指南。该指南包含有关设备正确安装的详细信息，包括电缆布线，必须严格遵守。  
因安装不当导致的损坏不在保修之列。

CN

注意: 在连接前, 确保供水管中杂物或铜屑已经彻底清洁, 否则可能损坏电磁阀。必须严格遵循本手册和安装指南中的说明, 否则有可能导致操作错误、设备损坏和/或人身伤害。建议在安装过程中, 在本产品上安装一个隔离阀。对于因您或您的员工、安装人员或服务工程师未遵循本手册和安装指南中的说明而导致的任何设备损坏或人身伤害, 或任何业务或收入损失, 戴森不承担任何责任。

## 维护干手器

### ⚠ 警告

本产品不能用于装有塞子的水槽。在注入水流之前, 确保塞孔无任何障碍, 水可以自由排出。

### 如何使用

将手放在水龙头中心的下方, 只要手保持在该位置, 水龙头将自动出水。

最优吹干时间方法:

- 将手放在中心水龙头的任意一侧可激活干手器, 产生空气流将手上的水吹干。
- 将双手慢慢地在空气流中前后移动, 并翻转双手以使手背和手心都能吹到气流。
- 把手放平, 手指并紧, 大拇指直立, 确保整个手掌穿过气流。

## 故障排除指南

### ⚠ 警告: 触电危险。

问题	措施
干手器无法启动。	检查保险丝/断路器是否正常工作以及电源和水源是否接上。必须由合格的电工执行。确保清洁帽已拆下, 传感器已清洁且无阻碍。如果有安全的开关方法可用, 将设备打开再关闭。如果没有安全的方法可用, 必须请电工来执行此任务。
干手器反复无常地启动和关闭。	确保传感器洁净, 没有任何阻碍 检查水龙头的传感器电缆是否牢固连接。必须由合格的电工执行。
干手器在使用时有时停止运作, 但稍后又重新开始工作。	检查空气进口是否洁净没有灰尘。 从空气入口处去除一切灰尘。 确保空气进口没有阻碍, 具有足够的间隙(见安装说明)。
干手器的干手时间延长。	检查进气处是否有灰尘并除去。 如有需要, 检查过滤器并更换。 确保软管牢固地连接在水龙头底部, 不存在泄漏。必须由合格的电工执行。
干手器持续喷出气流。	确保传感器洁净, 没有任何阻碍
干手器中没有气流。	检查保险丝/断路器是否正常工作以及电源和水源是否接上。必须由合格的电工执行。确保空气软管牢固地连接在水龙头底部, 不存在泄漏。必须由合格的电工执行。检查水龙头的传感器电缆是否牢固连接。必须由合格的电工执行。

## 水龙头

问题	措施
水龙头不断流出水流。	确保传感器洁净, 没有任何阻碍
水龙头没有水流。	确保电源和水源已经开启, 且隔离阀已打开。必须由合格的电工执行。确保充气器中无尘屑, 如有必要, 除去尘屑, 清洁/更换充气器。
水龙头流出的水过热或过冷。	联系戴森帮助热线。

如果您有任何其他问题, 请联系戴森帮助热线。

## 用于食物制备区域

对于食品制备环境, 要求采取特殊安装方式, 其中必须在可清洁的外壳中完全包封电机桶和软管, 或者让电机桶位于墙壁反侧, 以供足够的间隙便于清洁下方 (如适用), 并且使装置距离未遮盖的食物或未遮盖食物的接触表面至少 2.5 米。

## 清洁

干手器应每日清洁。

使用柔软的布和非研磨性清洁剂擦拭传感器, 然后将洁净的盖子放在传感器上方, 防止空气和水被激活。

清洁所有水龙头表面、水槽、镜子和所有墙壁或台面。在完成之后, 请记得拆下清洁盖。

定期清洁电机筒底座上的空气入口 (水槽下方)。确保水槽中的塞孔无任何阻碍, 水可以自由排出。

## 重要信息

请勿高压冲洗机器。

应按照生产商的说明准确使用所有化学清洁剂 (包括相应的稀释剂)。

如果清洁化学物质残留在烘手器上太久, 会形成一层薄膜。这可能会降低效果并损坏抗菌表面。

准备使用的任何化学品应首先在不显眼的区域使用, 以确认其是否适用。应当小心避免任何有害液体 (清洁用化学物质除外) 接触产品, 尤其是基于油和酒精的产品。

## 水洗准则

本干手器拥有 IP35 认证。

使用高压清洗器可能使水渗入外壳内。

用水清洁不当导致的损坏将使您的保修失效。

## 自动例行冲洗

本设备配备固定的自动冲洗装置, 在最后一次使用后24小时激活60秒。这有助于降低产品内死水滞留和细菌滋生。

请确保本设备始终安装在功能运作正常且有通畅排水管道的洗手台上方。

## 电磁阀更换准则

干手器上的电磁阀可能需要更换。如果怀疑是这个问题, 请联系戴森帮助热线。

更换电磁阀时, 烘手器必须与主电源和水源断开连接。如果不这样做, 可能会造成严重伤害和/或财产损失。

## 过滤器维护

定期检查空气进口, 确保无尘屑。要除去尘屑, 只需用软布擦拭进口即可。

如果空气进口阻塞, 则可能需要进一步清洁或更换过滤器。

如果出于高频率使用环境的要求, 需要现场更换设备的 HEPA 过滤器, 戴森过滤器更换套件足以满足需要。有关详细信息, 请联系戴森客户帮助热线。

干手器过滤器的清洁或更换可按照过滤器更换套件中的说明小心进行。如有任何疑问, 请咨询合格的电工或联系戴森帮助热线寻求支持。

## 维修

如果干手器需要维修, 请致电戴森客户帮助热线。也可以访问网站 [www.dyson.com](http://www.dyson.com)

## 处理信息

戴森产品使用高级别可回收材料制成。请负责地处理本产品, 并通过可能的途径回收利用。

## 您的保修

### 戴森 5 年有限保修的条款与条件。

如果在线注册了设备, 则保修将自购买之日起算起。请保存好购买凭证。如果没有购买凭证, 保修将自戴森记录的生产日期之后 90 天算起。

如果该机器在销售地之外的国家/地区安装和使用, 保修将会失效。最终消费者依据产品销售所适用的国家法规享有不可撤销的合法权利, 此类权利不受保修条款规定的影响。

## 保修范围

### 5 年保修

如果按照用户手册和安装指南的说明使用, 则自保修生效之日起五年内, 均为您戴森干手器的所有原厂零件的原始缺陷、材料和工艺提供保修。

有关详细信息, 请致电戴森客户帮助热线。

保修期内使用中, 当发生电气故障发生时, 戴森负责免费维修。

电机组件, 滤网和电磁阀损坏需要更换时, 由客户自己在现场安装。

有关详细信息, 请致电戴森客户帮助热线。

如果需要更换过滤器, 戴森将提供一个过滤器更换套件, 由客户在现场安装。

- 任何退回和由戴森更换的部件将归戴森所有。

## 不保修范围

戴森不保证因以下原因导致缺陷时的产品修理或更换:

- 由于使用时不小心、无意或故意误用、疏忽、恶意破坏、粗心操作或以任何违反戴森操作手册的方式操作所造成的意外损坏和故障。
- 使用的零件未按戴森指导说明进行组装或安装。
- 使用非戴森原厂的零件和附件。
- 错误安装或未严格按照戴森安装说明进行的安装 (戴森执行的安装除外)。
- 未遵循戴森提供的说明进行的维修或改动。
- 运输、天气、断电或电力不稳定等外源损坏。
- 正常磨损和损耗 (例如, 保险丝等)。
- 清洁时未遵循本手册说明而导致的损坏: 例如, 使用列为对设备有害的化学清洁剂或产品进行清洁。
- 本手册禁止的清洁或处理而导致进水的损坏。

- 任何电气、浸水或结构损坏, 或由于产品故障而导致的任何业务或收入损失。如果对保修范围有何疑问, 请与戴森联系 (联系详情见封底)。

## 保修范围概要

- 在您的戴森产品接受任何处理前, 您必须提供 (初次及任何后续) 交货/购买的证明材料。若无此证明材料, 任何处理都将会收费。请妥善保存您的收据或提货单。
- 所有工作都将由戴森或其授权代理商完成。

## 关于您的隐私权

注册戴森产品时

- 您需要向我们提供基本联系信息, 方可注册您的产品, 使我们能支持您的保修。
- 注册时, 您可以选择是否从我们这里接收通讯。如果您同意接收戴森的通讯, 我们将向您发送特别优惠详情和最新创新方面的新闻。我们决不会将您的信息出售给第三方, 只会按我们隐私政策的规定使用您与我们分享的信息, 政策内容可在我们网站上找到 [privacy.dyson.com](http://privacy.dyson.com)。

# CZ

## DŮLEŽITÉ BEZPEČNOSTNÍ POKYNY

### TYTO POKYNY SI PŘEČTĚTE A USCHOVEJTE

**PŘED INSTALACÍ NEBO POUŽITÍM TOHOTO PŘÍSTROJE SI PŘEČTĚTE VEŠKERÉ POKYNY A UPOZORNĚNÍ V TOMTO NÁVODU A POZNÁMKÁCH K INSTALACI.**

**PRO OMEZENÍ RIZIKA POŽÁRU, ÚRAZU ELEKTRICKÝM PROUDEM NEBO PORANĚNÍ OSOB, DODRŽUJTE NÁSLEDUJÍCÍ POKYNY:**

1. Tento přístroj nesmějí používat osoby (včetně dětí), které mají snížené fyzické, smyslové nebo duševní schopnosti nebo nedostatečné zkušenosti a znalosti, pokud nejsou pod dohledem nebo nebyly poučeny o použití přístroje osobou odpovědnou za jejich bezpečnost.
2. Nedovolte, aby se osoušeč rukou používal k jiným účelům než k mytí a sušení rukou. Přístroj používejte pouze způsobem určeným výrobcem. Pokud máte nějaké dotazy, obraťte se na výrobce.
3. Před prováděním údržby vypněte napájení na servisním panelu. Spínač musí být blokován, aby nemohlo dojít k neúmyslnému zapnutí napájení. Pokud vypínač napájení nelze zablokovat, upevněte na servisní panel nápadnou výstrahu, například výstražný štítek.

Děti musí být pod dohledem a nesmí si s přístrojem hrát.

**K ČIŠTĚNÍ TOHOTO PŘÍSTROJE NEBO JEHO OKOLÍ NEPOUŽÍVEJTE ŽÁDNÉ ZAŘÍZENÍ NA MYTÍ TLAKOVOU VODOU.**

### **!** VAROVÁNÍ

**PRO OMEZENÍ RIZIKA POŽÁRU NEBO ÚRAZU ELEKTRICKÝM PROUDEM, NEPOUŽÍVEJTE S TÍMTO PŘÍSTROJEM ŽÁDNÉ POLOVODIČOVÉ ZAŘÍZENÍ PRO REGULACI OTÁČEK.**

**VEŠKERÉ INSTALAČNÍ A SERVISNÍ PRÁCE (INSTALATÉRSKÉ A ELEKTRIKÁŘSKÉ) SMÍ PROVÁDĚT POUZE VYŠKOLENÁ OSOBA NEBO SERVISNÍ TECHNIK SPOLEČNOSTI DYSON V SOULADU S PLATNÝMI MÍSTNÍMI NAŘÍZENÍMI A PŘEDPISY.**

### **!** UPOZORNĚNÍ

Osoušeč rukou musí být umístěn ve vnitřních prostorách. Rozsah provozních okolních teplot je 0 °C až 40 °C. Abyste snížili nebezpečí požáru nebo úrazu elektrickým proudem, chraňte vnitřní mechanismy a součásti přístroje před vlhkostí.

## DĚKUJEME, ŽE JSTE SE ROZHODLI ZAKOUPIT OSOUŠEČ RUKOU AIRBLADE WASH+DRY SPOLEČNOSTI DYSON

### PÉČE O ZÁKAZNÍKY SPOLEČNOSTI DYSON

Na tento osoušeč rukou se vztahuje záruka 5 let od data nákupu podle podmínek omezené záruky.

Zaregistrujte si záruku na adrese [www.dyson.com](http://www.dyson.com).

Pokud máte ohledně osoušeče rukou jakékoli dotazy, volejte zákaznickou linku společnosti Dyson, sdělte sériové číslo přístroje a informace o místě a datu jeho zakoupení.

Pro budoucí použití si sériové číslo poznamenejte zde.

Sériové číslo naleznete na pravém dolním rohu zadní desky, na registračním formuláři uvnitř balení nebo na velké informační nálepce kolem kohoutku, kterou uvidíte při vybalování.



Tato ilustrace slouží pouze jako příklad.

V balení osoušeče rukou je vložena obsáhlá instalační příručka. Jsou v ní uvedeny podrobné informace o správné instalaci přístroje včetně zapojení elektrických kabelů, které je NUTNÉ důsledně dodržovat. Záruka se nevztahuje na poškození v důsledku nesprávné instalace.

Aby se zabránilo poškození, které by mohlo mít vliv na vaši záruku, doporučujeme do potrubí namontovat filtr.

CZ

**POZNÁMKA:** Před připojením k produktu je nutné důkladně propláchnout přívod vody, aby se zbavil úlomků, měděných pilin atd. Nerespektování těchto pokynů bude mít za následek poškození elektromagnetického ventilu.

Je nutné postupovat přesně podle pokynů uvedených v tomto návodu a instalační příručce. Jejich nedodržení může mít za následek nesprávnou funkci, škodu na majetku nebo úraz. Na tento výrobek se doporučuje namontovat během instalace uzavírací ventil. Společnost Dyson neodpovídá za žádnou škodu na majetku nebo úraz ani za ztrátu obchodní příležitosti nebo zisku z podnikání, pokud jste vy, váš personál, instalační nebo servisní technici nepostupovali podle pokynů uvedených v tomto návodu a instalační příručce.

## PÉČE O OSOUŠEČ RUKOU

### ⚠ VAROVÁNÍ

Tento výrobek se nesmí používat v umyvadlech uzavřených zátkou. Před otevřením přívodu vody se přesvědčte, že ve výpustném otvoru nejsou žádné cizí předměty a voda může volně odtékat.

### POUŽITÍ

Vložte ruce pod osoušeč, který se automaticky spustí a vytvoří plochy proudícího vzduchu, které z vašich rukou setřou vodu.

Pro nejrychlejší osušení:

- Ruce a prsty napněte rovnoběžně s povrchem přístroje, asi 5 mm od štěrbin, a protahujte je proudem vzduchu od zápěstí po konečky prstů.
- Obracejte je, abyste osušili obě strany, a pomalým a plynulým pohybem sušte každou stranu rukou přibližně 2,5 sekundy.
- Ruce držte rovně s prsty sevřenými a palce držte uvnitř, aby proudem vzduchu prošla celá ruka.

## PRŮVODCE ŘEŠENÍM PROBLÉMŮ

### ⚠ VAROVÁNÍ: NEBEZPEČÍ ÚRAZU ELEKTRICKÝM PROUDEM!

Problém	Postup
Osoušeč rukou se nespustí.	Zkontrolujte funkčnost pojistky nebo elektrického jističe přívodu elektrického proudu. Tento úkon musí provést kvalifikovaný elektrikář. Přesvědčte se, že je sejmuta ochranná krytka na čištění a senzory jsou čisté a nezakryté. Pokud je k dispozici bezpečný způsob spínání, zapněte a vypněte zařízení. Pokud bezpečný způsob k dispozici není, musí tento úkon provést kvalifikovaný elektrikář.
Osoušeč rukou se nepravidelně zapíná a vypíná.	Přesvědčte se, že jsou senzory čisté a nic je nezakrývá. Zkontrolujte, zda je spolehlivě připojen kabel senzoru z kohoutku. Tento úkon musí provést kvalifikovaný elektrikář.
Osoušeč rukou se při použití občas vypne, ale po nějaké době se opět spustí.	Zkontrolujte, zda není přívod vzduchu znečištěný nebo zaprášený. Odstraňte prach z přívodu vzduchu. Přesvědčte se, že se v přívodu vzduchu nenacházejí žádné cizí předměty a že je kolem něj dostatek místa (viz návod k instalaci).

Doba sušení osoušečem rukou se prodloužila.	Zkontrolujte, zda není na mřížce přívodu vzduchu prach a pokud ano, odstraňte jej. Zkontrolujte a podle potřeby vyměňte filtr. Přesvědčte se, že je hadice spolehlivě připojena k základně kohoutku a že těsní. Tento úkon musí provést kvalifikovaný elektrikář.
Z osoušeče rukou neustále proudí vzduch.	Přesvědčte se, že jsou senzory čisté a nic je nezakrývá.
Z osoušeče rukou neproudí vzduch.	Zkontrolujte funkčnost pojistky nebo elektrického jističe přívod elektrického proudu. Tento úkon musí provést kvalifikovaný elektrikář. Přesvědčte se, že je vzduchová hadice spolehlivě připojena k základně kohoutku a že těsní. Tento úkon musí provést kvalifikovaný elektrikář. Zkontrolujte, zda je spolehlivě připojen kabel senzoru z kohoutku. Tento úkon musí provést kvalifikovaný elektrikář.

## KOHOUTEK

Problém	Postup
Z kohoutku neustále teče voda.	Přesvědčte se, že jsou senzory čisté a nic je nezakrývá.
Z kohoutku neteče voda.	Přesvědčte se, že je zapnuto napájení a přívod vody a že je otevřený uzavírací ventil. Tento úkon musí provést kvalifikovaný elektrikář. Přesvědčte se, že v perlátoru nejsou nečistoty, sejměte jej a podle potřeby jej vyčistěte nebo vyměňte.
Voda z kohoutku je příliš horká nebo studená.	Volejte zákaznickou linku společnosti Dyson.

Pokud máte další dotazy, volejte zákaznickou linku společnosti Dyson.

## POUŽITÍ V PROSTORÁCH PRO PŘÍPRAVU POTRAVIN

V prostředí pro přípravu potravin je požadována speciální instalace, při které se musí plášť motoru a hadice zcela uzavřít do čističného krytu, nebo je třeba plášť motoru umístit na opačnou stranu zdi, aby byl pod přístrojem dostatečný prostor pro mytí (v případě potřeby), a instalace musí být provedena tak, aby byl přístroj umístěn alespoň 2,5 m od nekrytých potravin nebo nekrytých povrchů, které jsou ve styku s potravinami.

## ČIŠTĚNÍ

Osoušeč rukou se musí denně čistit. Senzory otřete měkkou textilií a neabrazivním čisticím prostředkem, pak na ně nasadte ochrannou krytku na čištění, aby se neaktivoval výstup vzduchu a vody. Vyčistěte všechny povrchy kohoutku, umyvadlo, zrcadlo a stěny nebo pracovní desky. Až budete hotovi, NEZAPOMĚTE sejmout ochrannou krytku na čištění. PRAVIDELNĚ čistěte přívody vzduchu na základně pláště motoru (pod umyvadlem). Přesvědčte se, že výpustný otvor v umyvadle není ucpaný a voda může volně odtékat.

## DŮLEŽITÉ INFORMACE

Neumývejte zařízení tlakovou vodou. Všechny čisticí chemické látky se musí používat přesně v souladu s pokyny výrobce (včetně náležitého ředění). Pokud na zařízení zůstane dlouhou dobu čisticí chemický prostředek, vytvoří se povlak. Pak může dojít ke snížení účinnosti antibakteriálních povrchů. Všechny chemikálie určené k použití se musí nejdříve odzkoušet na méně viditelné ploše, aby se ověřila jejich vhodnost. Do styku s výrobkem se nesmí dostat žádné škodlivé kapaliny (kromě čisticích chemikálií), zejména oleje a výrobky na bázi alkoholu.

## POKYNY TÝKAJÍCÍ SE VODY

Tento osoušeč rukou má stupeň krytí IP35. Při použití tlakového mycího zařízení může vniknout voda dovnitř krytu. Poškození vodou způsobené nesprávným čištěním má za následek zánik záruky.

## AUTOMATICKÉ PROPLACHOVÁNÍ

Výrobek je vybaven funkcí automatického proplachování vodou, jež se aktivuje 24 hodin po posledním použití. Doba proplachování činí 60 sekund. Díky tomu nedochází ke stání vody a množení bakterií. Ujistěte se, že výrobek je nainstalovaný nad fungujícím umyvadlem s připojeným a průchozím odtokem vody.

## POKYNY K VÝMĚNĚ ELEKTROMAGNETICKÉHO VENTILU

Může se stát, že bude nutné vyměnit elektromagnetický ventil v osoušeči rukou. Pokud máte dojem, že tento případ nastal, volejte zákaznickou linku společnosti Dyson. Osoušeč rukou se musí před výměnou elektromagnetického ventilu odpojit od elektrické sítě a přívodu vody. Nedodržení této zásady může způsobit vážný úraz nebo škodu na majetku.

## ÚDRŽBA FILTRU

Pravidelně kontrolujte přívod vzduchu, zda není zaprášený nebo znečištěný. K odstranění prachu a nečistot postačí otřít přívod vzduchu měkkou textilií. Pokud se přívod vzduchu zanechá, může být zapotřebí důkladnější čištění, případně výměna filtru.

V prostředích s častým použitím jednotky je vhodná sada pro výměnu filtru Dyson, která obsahuje vše potřebné pro výměnu filtru HEPA na místě. Další informace získáte na zákaznické lince společnosti Dyson.

Čištění nebo výměnu filtru je nutné provádět přesně podle pokynů přiložených k sadě pro výměnu filtru. V případě pochybností se poraďte s kvalifikovaným elektrikářem nebo volejte zákaznickou linku společnosti Dyson.

CZ

## SERVIS

Pokud osoušeč rukou vyžaduje servisní zásah, volejte zákaznickou linku společnosti Dyson. Také navštivte webové stránky [www.dyson.com](http://www.dyson.com).

## INFORMACE K LIKVIDACI

Výrobky společnosti Dyson jsou vyrobeny z velmi dobře recyklovatelných materiálů. Pokud je to možné, nechte výrobek recyklovat.

## VAŠE ZÁRUKA

### PODMÍNKY PĚTILETÉ ZÁRUKY SPOLEČNOSTI DYSON

Pokud jste svůj přístroj zaregistrovali online, začíná záruka platit dnem zakoupení. Doklad o koupi důkladně uschovejte. Pokud nebudete mít doklad o koupi, začne záruka platit 90 dnů po datu výroby přístroje dle záznamů společnosti Dyson.

Bude-li jednotka prodána na území EU, tato záruka bude platná pouze v případě, (i) že jednotka bude namontována a používána v zemi, kde byla zakoupena, nebo (ii) že jednotka bude namontována a používána v Rakousku, Belgii, Francii, Německu, Irsku, Itálii, Nizozemsku, Španělsku nebo Velké Británii a že se příslušný model v dané zemi prodává ve verzi pro stejné jmenovité napětí. Bude-li tato jednotka prodána v zemi mimo EU, tato záruka bude platná pouze v případě, že jednotka bude namontována a používána v zemi, kde byla zakoupena.

### NA CO SE ZÁRUKA VZTAHUJE

#### PĚTILETÁ ZÁRUKA

Na všechny továrně zabudované díly vašeho osoušeče rukou platí pětiletá záruka na vady materiálu a zpracování za předpokladu, že je přístroj používán v souladu s návodem na použití a instalační příručkou.

Chcete-li získat více informací, kontaktujte zákaznickou linku společnosti Dyson.

V případě závad na elektroinstalaci v záruční době provede společnost Dyson opravu, aniž by si účtovala náklady na práci.

V případě výměny pláště motoru, filtru a solenoidu nejsou hrazeny náklady na práci.

Chcete-li získat více informací, kontaktujte zákaznickou linku společnosti Dyson.

V případě výměny filtru společnost Dyson poskytne sadu pro výměnu filtru, kterou zákazník nainstaluje na místě.

- Veškeré vrácené a vyměněné součásti se stávají majetkem společnosti Dyson.
- Výměna kterékoli části vašeho přístroje v rámci záruky neprodlužuje platnost záruky.
- Záruka poskytuje výhody, které jdou nad rámec vašich spotřebitelských práv a nemají na ně žádný vliv.

### NA CO SE ZÁRUKA NEVZTAHUJE

Společnost Dyson neposkytuje záruku na opravu ani výměnu přístroje, na kterém vznikla vada v důsledku:

- Poškození při nehodě, nedbalého užití nebo zanedbání péče, neúmyslného či úmyslného nesprávného použití, nedbalosti, vandalizmu, neopatrného užívání nebo manipulace s instalací v rozporu s příručkou obsluhy společnosti Dyson.
- Použití součástí nesmontovaných nebo neinstalovaných v souladu pokyny společnosti Dyson.
- Použití jiných než originálních součástí a příslušenství značky Dyson.

- Nesprávné instalace nebo instalace, která přesně neodpovídá pokynům pro instalaci dodaným společností Dyson (s výjimkou instalace provedené společností Dyson).
- Oprav či úprav neprovedených v souladu s pokyny společnosti Dyson.
- Poškození způsobené externími vlivy, např. dopravou, počasím, výpadky elektrické energie nebo přepětím.
- Běžného opotřebení (např. pojistky apod.).
- Poškození způsobené čištěním, které nebylo provedeno v souladu s pokyny tohoto návodu: například čištění chemickými prostředky nebo výrobky uvedenými v seznamu výrobků, které přístroj poškozují.
- Poškození způsobené vniknutím vody v důsledku čištění či údržby v rozporu s tímto návodem.
- Jakéhokoliv poškození vlivem elektřiny, zaplavení vodou nebo poškození konstrukce, přičemž se vylučují i veškeré ztráty obchodních příležitostí i výnosů následkem poruchy produktu.. Máte-li jakékoli pochybnosti ohledně rozsahu záruky, kontaktujte prosím společnost Dyson (podrobné údaje naleznete na zadní straně).

### SHRNUTÍ ZÁRUČNÍHO KRYTÍ

- Před zahájením prací na vašem přístroji od společnosti Dyson nebo před dodáním jakýchkoli dílů pro výměnu je nutné předložit doklad o (původním i jakémkoli dalším) dodání/nákupu. Bez předložení těchto dokladů bude oprava účtována jako mimozáruční. Doklad o koupi nebo doručení si uschovejte.
- S výhradou výše uvedených výjimek musí být všechny práce v rámci této záruky provedeny společností Dyson nebo jejími autorizovanými zástupci.

### DŮLEŽITÉ INFORMACE O OCHRANĚ ÚDAJŮ

#### PŘI REGISTRACI VÝROBKU SPOLEČNOSTI DYSON

- Bude třeba, abyste nám poskytli základní kontaktní údaje, abychom mohli registrovat váš výrobek a udržovat záruku na něj.
- Po registraci budete mít možnost si vybrat, zda od nás chcete dostávat různá sdělení. Pokud se přihlásíte k odběru sdělení od společnosti Dyson, budeme vám zasílat podrobnosti o speciálních nabídkách a zprávy o našich novinkách. Údaje, které nám sdělíte, nikdy neprodáme třetím osobám a budeme je používat pouze v souladu s našimi zásadami ochrany osobních údajů, které jsou k dispozici na našem webu [privacy.dyson.com](http://privacy.dyson.com).



# DE/AT/CH/LU

## WICHTIGE SICHERHEITSHINWEISE

### LESEN SIE DIESE ANWEISUNGEN UND BEWAHREN SIE SIE AUF.

LESEN SIE VOR DER INSTALLATION BZW. BENUTZUNG DIESES GERÄTS ZUNÄCHST ALLE ANWEISUNGEN UND WARNHINWEISE IN DEN VORLIEGENDEN BEDIENUNGS- UND INSTALLATIONSHINWEISEN.

UM DAS RISIKO EINES BRANDES, ELEKTRISCHEN SCHOCKS ODER DER VERLETZUNG VON PERSONEN ZU REDUZIEREN, BEACHTEN SIE BITTE FOLGENDES:

1. Dieses Gerät sollte nicht von Personen mit eingeschränkten physischen, sensorischen oder motorischen Fähigkeiten bzw. nicht von unerfahrenen und ungeschulten Personen verwendet werden. Dies gilt auch für Kinder. In diesen Fällen sollte eine Einweisung bzw. Aufsicht durch einen Sicherheitsbeauftragten erfolgen.
2. Achten Sie darauf, dass das Gerät ausschließlich zum Waschen und Trocknen von Händen eingesetzt wird. Verwenden Sie dieses Gerät nur in der vom Hersteller vorgesehenen Weise. Wenden Sie sich bei Fragen direkt an den Hersteller.
3. Schalten Sie vor der Wartung den Strom an der Stromtafel aus. Stellen Sie sicher, dass der Schalter gesperrt ist, um zu vermeiden, dass der Strom versehentlich eingeschaltet werden kann. Wenn die Vorrichtung zur Stromabschaltung nicht verriegelt werden kann, bringen Sie ein deutlich erkennbares Warnschild fest an der Schalttafel an.

Es sollte darauf geachtet werden, dass Kinder nicht mit dem Gerät spielen.

**VERWENDEN SIE KEINE DRUCKWASSERWÄSCHE AN DIESEM GERÄT ODER IN SEINER UNMITTELBAREN UMGEBUNG.**

## ! ACHTUNG

UM DAS RISIKO VON BRÄNDEN BZW. STROMSCHLÄGEN ZU REDUZIEREN, VERWENDEN SIE DIESES GERÄT NICHT ZUSAMMEN MIT GERÄTEN MIT KONTAKTLOSER GESCHWINDIGKEITSSTEUERUNG.

ALLE MONTAGE- UND REPARATURARBEITEN (KLEMPNERARBEITEN UND VERKABELUNG) MÜSSEN VON EINER QUALIFIZIERTEN PERSON ODER EINEM SERVICETECHNIKER VON DYSON IN ÜBEREINSTIMMUNG MIT DEN LOKALEN VORSCHRIFTEN UND REGELUNGEN DURCHGEFÜHRT WERDEN.

## ! ACHTUNG

Ihr Händetrockner darf ausschließlich in Innenräumen montiert werden. Die Betriebsumgebungstemperatur liegt zwischen 0°C (32°F) und 40°C (104°F). Um das Risiko von Bränden bzw. Stromschlägen zu reduzieren, sollten den internen Mechanismen und Komponenten dieses Geräts keinerlei Feuchtigkeit ausgesetzt werden.

## VIELEN DANK, DASS SIE SICH FÜR EINEN DYSON AIRBLADE WASH+DRY HÄNDETROCKNER ENTSCHIEDEN HABEN.

## KUNDENDIENST VON DYSON

Für Ihren Händetrockner gilt ab Kauf vorbehaltlich der Garantiebestimmungen eine eingeschränkte Garantie von 5 Jahren.

Registrieren Sie Ihre Garantie jetzt unter [www.dyson.de](http://www.dyson.de).

Wenden Sie sich bei Fragen zu Ihrem Händetrockner telefonisch an den Kundendienst von Dyson und geben Sie die Seriennummer sowie das Datum und den Ort des Kaufs Ihres Geräts an.

Notieren Sie Ihre Seriennummer für künftige Rückfragen hier.

Ihre Seriennummer finden Sie unten rechts an der Rückwand, auf dem Registrierungsblatt im Karton sowie nach dem Auspacken des Geräts auf dem großen Informationsaufkleber am Wasserhahn.



Nur für Illustrationszwecke.

Zusammen mit dem Händetrockner-Paket erhalten Sie eine umfassende Installationsanleitung. Diese Anleitung enthält ausführliche Informationen zur richtigen Installation des Geräts. Diese Anleitung einschließlich der Verlegung der elektrischen Kabel ist unbedingt zu beachten. Schäden durch eine fehlerhafte Installation sind durch Ihre Garantie nicht abgedeckt.

DE  
AT  
CH  
LU

Der Einsatz eines Leitungs filters wird zur Vermeidung von Beschädigungen empfohlen, die sich auf die Garantie auswirken können.

**HINWEIS:** Stellen Sie sicher, dass die Wasserzufuhr von jeglichem Schmutz, Kupferspänen usw. gereinigt wurde, bevor Sie sie an das Produkt anschließen. Wird dies nicht beachtet, kann das Magnetventil beschädigt werden. Die Anweisungen in dieser Bedienungsanleitung und der Installationsanleitung müssen in vollem Umfang befolgt werden. Die Nichtbeachtung kann zu fehlerhaftem Betrieb, zu Sachschäden und zu Verletzungen führen. Wir empfehlen, bei der Installation dieses Produkts ein Sperrventil anzubringen. Dyson übernimmt keine Haftung für Sachschäden oder Verletzungen oder für Geschäfts- oder Einnahmeverluste, wenn Sie, Ihre Mitarbeiter oder die Installations- bzw. Servicetechniker die Anweisungen in dieser Bedienungsanleitung sowie der Installationsanleitung nicht befolgen.

## PFLEGE IHRES DYSON AIRBLADE HÄNDETROCKNERS

### ACHTUNG

Dieses Produkt darf nur mit Waschbecken verwendet werden, die Abflüsse mit einer möglichst großen Öffnung aufweisen. Es ist darauf zu achten, dass die Waschbecken nicht mit einem Stopfen verschlossen sind.

### ANWENDUNG

Halten Sie Ihre Hände mittig unter den Dyson Händetrockner, um Ihre Hände zu waschen. Anschließend bewegen Sie sie links und rechts nach außen und halten Sie unter den "Flügeln". Das Gerät bläst automatisch Luft auf Ihre Hände, um sie zu trocknen.

Für beste Ergebnisse bei der Handtrocknung:

- Halten Sie Ihre Hände flach und parallel zur Geräteoberfläche ungefähr 5 mm vom Luftstrom entfernt. Bewegen Sie Ihre Hände durch den Luftstrom, von den Handgelenken bis zu den Fingerspitzen.
- Gleiten Sie Ihre Hände langsam und mit konstanter Geschwindigkeit durch den Luftstrom. Wechseln Sie beim Trocknen zwischen der Handfläche und dem Handrücken.
- Halten Sie Ihre Hände flach und halten Ihre Finger leicht gespreizt, sodass auch die Fingerzwischenräume getrocknet werden können.

## FEHLERSUCHE UND -BEHEBUNG

### ACHTUNG: STROMSCHLAGGEFAHR!

Problem	Aktion
Der Händetrockner startet nicht.	Prüfen Sie, ob die Sicherung bzw. der Trennschalter funktioniert und ob das Gerät an die Stromversorgung angeschlossen ist. Dies muss von einem qualifizierten Elektriker durchgeführt werden. Vergewissern Sie sich, dass die Reinigungskappe abgenommen wurde und dass die Sensoren sauber und frei sind. Wenn eine abgesicherte Schaltung vorhanden ist, schalten Sie das Gerät ein und wieder aus. Ist eine sichere Methode nicht gegeben, müssen Sie diese Aufgabe von einem Elektriker durchführen lassen.
Der Händetrockner schaltet sich von allein ein und aus.	Prüfen Sie, ob die Sensoren sauber sind. Prüfen Sie, ob das Sensorkabel aus dem Wasserhahn richtig angeschlossen wurde. Dies muss von einem qualifizierten Elektriker durchgeführt werden.
Der Händetrockner schaltet sich während des Trocknens manchmal ab, aber nach einer gewissen Zeit schaltet er sich dann auch wieder ein.	Prüfen Sie, ob der Lufteinlass sauber und staubfrei ist. Entfernen Sie jeglichen Staub aus dem Lufteinlass. Stellen Sie sicher, dass der Lufteinlass nicht verstopft ist und über genügend lichten Raum verfügt (siehe Installationsanweisungen).
Die Trockenzeit des Händetrockners hat sich verlängert.	Prüfen Sie den Einlass auf Staub und ggf. machen Sie ihn frei. Inspizieren Sie den Filter und tauschen Sie ihn ggf. aus. Tragen Sie dabei immer saubere Einweghandschuhe um nicht den Filter zu kontaminieren. Stellen Sie sicher, dass der Schlauch ordnungsgemäß am Wasserhahn angeschlossen wurde und keine Undichtigkeit festzustellen ist. Dies muss von einem qualifizierten Elektriker durchgeführt werden.
Aus dem Händetrockner tritt kontinuierlich Luft aus.	Prüfen Sie, ob die Sensoren sauber sind.

DE  
AT  
CH  
LU

Es kommt keine Luft aus dem Händetrockner.	Prüfen Sie, ob die Sicherung bzw. der Trennschalter funktioniert und ob das Gerät an die Stromversorgung angeschlossen ist. Dies muss von einem qualifizierten Elektriker durchgeführt werden. Vergewissern Sie sich, dass der Luftschlauch ordnungsgemäß am Wasserhahn angebracht wurde und dass kein Wasser austritt. Dies muss von einem qualifizierten Elektriker durchgeführt werden. Prüfen Sie, ob das Sensorkabel aus dem Wasserhahn richtig angeschlossen wurde. Dies muss von einem qualifizierten Elektriker durchgeführt werden.
--	--

## WASSERHAHN

Problem	Aktion
Das Wasser fließt kontinuierlich aus dem Wasserhahn heraus.	Prüfen Sie, ob die Sensoren sauber sind.
Es kommt kein Wasser aus dem Hahn.	Prüfen Sie, ob die Strom- und Wasserversorgung angeschlossen und ob das Sperrventil geöffnet ist. Dies muss von einem qualifizierten Elektriker durchgeführt werden. Prüfen Sie, ob die Mischdüse frei von Ablagerungen ist, bei Bedarf reinigen / ersetzen Sie diese.
Das Wasser aus dem Wasserhahn ist zu warm oder zu kalt.	Wenden Sie sich an den Kundendienst von Dyson.

Wenn Sie weitere Fragen haben, wenden Sie sich bitte an den Kundendienst von Dyson.

## EINSATZ IN BEREICHEN, IN DENEN LEBENSMITTEL ZUBEREITET WERDEN

Bei Einsatz in Umgebungen für die Lebensmittelzubereitung ist eine spezielle Installation erforderlich. Dazu müssen sich der Motorbehälter und der Schlauch vollständig in einem reinigungsfähigen Gehäuse befinden oder der Motorbehälter an der Rückseite einer Wand angebracht sein. Es muss genug Platz für die Reinigung unter dem Behälter vorhanden sein. Das Gerät muss so installiert sein, dass es sich mindestens 2,5 m von freiliegenden Lebensmitteln oder Flächen entfernt befindet, die mit freiliegenden Lebensmitteln in Kontakt stehen.

## REINIGUNG

Der Händetrockner sollte täglich gereinigt werden. Wischen Sie die Sensoren mit einem weichen Tuch und einem milden Reinigungsmittel ab. Platzieren Sie die Reinigungskappe auf den Sensoren, damit weder Luft noch Wasser aktiviert werden können. Reinigen Sie den Wasserhahn, das Waschbecken, den Spiegel sowie Wände und Oberflächen.

DENKEN SIE DARAN, anschließend die Reinigungskappe zu entfernen. Reinigen Sie REGELMÄSSIG die Lufteinlässe an der Basis der Motorschaufel (unter dem Waschbecken). Stellen Sie sicher, dass der Abfluss Ihres Waschbeckens frei ist und das Wasser somit gut ablaufen kann.

## WICHTIGE INFORMATIONEN

Das Gerät nicht unter Druck abwaschen. Alle Reinigungsmittel sollten genau entsprechend den Anweisungen des Herstellers verwendet werden (einschließlich der richtigen Verdünnung). Wenn eine Reinigungskemikalie zu lange auf der Maschine verbleibt, bildet sich darauf ein Film. Dies kann die Wirksamkeit reduzieren und die antibakteriellen Oberflächen beschädigen. Alle für den Einsatz vorgesehenen Chemikalien sollten zunächst in einem weniger kritischen Bereich ausprobiert werden, um ihre Eignung zu überprüfen. Es ist auch darauf zu achten, dass keine schädlichen Flüssigkeiten (außer den Reinigungskemikalien) mit dem Gerät in Kontakt kommen, insbesondere keine Öle und alkoholhaltigen Produkte.

## WASSERRICHTLINIEN

Dieser Händetrockner verfügt über eine IP35-Zertifizierung. Durch die Verwendung von Hochdruckreinigern kann Wasser in das Gehäuse gelangen. Wasserschäden durch eine unsachgemäße Reinigung führen zum Erlöschen der Gewährleistung.

## AUTOMATISCHE SPÜLUNG

Das Gerät verfügt über eine automatische Wasserspülung, die 24 Stunden nach der letzten Betätigung 60 Sekunden lang aktiviert wird. Dies verringert Wasserstauungen und Bakterienvermehrung im Inneren des Produkts. Bitte stellen Sie sicher, dass das Gerät stets über einem funktionstüchtigen Waschbecken montiert wird, das über einen freien und angeschlossenen Ablauf verfügt.

## RICHTLINIEN FÜR DAS AUSTAUSCHEN DER MAGNETSPULE

Möglicherweise muss die Magnetspule an Ihrem Händetrockner ausgetauscht werden. Wenn Sie vermuten, dass dies der Fall ist, wenden Sie sich bitte an den Kundendienst von Dyson.

Für den Austausch der Magnetspule muss der Händetrockner von der Strom- und Wasserversorgung getrennt werden. Sollte dies nicht befolgt werden, könnte es zu schweren Verletzungen und/oder Sachschäden führen.

## WARTUNG DER FILTER

Überprüfen Sie regelmäßig den Lufteinlass, um sicherzustellen, dass sich dort kein Staub und Schmutz abgelagert. Ein einfaches Abwischen mit einem weichen Tuch sollte genügen, um den Staub und Verschmutzungen zu entfernen.

Wenn der Lufteinlass verstopft ist, muss das Gerät gründlicher gereinigt oder ggf. der Filter ausgetauscht werden.

Ein Dyson-Filterwechsel-Kit enthält alle Komponenten, die Sie ggf. zum Wechsel des HEPA-Filters Ihres Geräts vor Ort benötigen. Für weitere Informationen wenden Sie sich bitte an den Kundendienst von Dyson.

Die Reinigung oder der Austausch der Filter kann bei sorgfältigem Befolgen der Anweisungen selbst durchgeführt werden. Im Zweifelsfall ziehen Sie einen qualifizierten Techniker zu Rate oder wenden Sie sich an den Kundendienst von Dyson.

## SERVICE

Wenn Servicearbeiten an Ihrem Händetrockner erforderlich sind, wenden Sie sich an den Kundendienst von Dyson. Besuchen Sie auch unsere Webseite unter [www.dyson.de](http://www.dyson.de).

## HINWEISE ZUR ENTSORGUNG

Die Produkte von Dyson bestehen aus hochwertigem, wiederverwendbarem Material. Entsorgen Sie dieses Produkt auf verantwortungsvolle Art.

## IHRE GARANTIE

### ALLGEMEINE BEDINGUNGEN DER 5-JAHRES-GARANTIE VON DYSON

Um die auf 5 Jahre begrenzte Dyson Garantie zu erhalten, müssen Sie das Gerät online registrieren. In diesem Fall beginnt Ihre Garantie mit dem Kaufdatum. Bitte bewahren Sie Ihren Kaufnachweis auf. Wenn Sie keinen Kaufnachweis vorlegen können, beginnt Ihre Garantie 90 Tage nach dem Fertigungsdatum entsprechend den Aufzeichnungen von Dyson.

Wenn dieses Gerät innerhalb der EU verkauft wird, gilt diese Garantie nur, (i) wenn das Gerät in dem Land, in dem es verkauft wurde, installiert wurde und verwendet wird oder (ii) wenn das Gerät in Belgien, Deutschland, Frankreich, Großbritannien, Irland, Italien, den Niederlanden, Österreich oder Spanien installiert wurde und verwendet wird und das gleiche Modell wie dieses Gerät in dem jeweiligen Land mit der jeweiligen Nennspannung verkauft wird. Wenn dieses Gerät außerhalb der EU verkauft wird, gilt diese Garantie nur, wenn das Gerät in dem Land, in dem es verkauft wurde, installiert wurde und verwendet wird.

### WAS WIRD ABGEDECKT

#### 5 JAHRE GARANTIE

Für alle werkseitig eingebauten Teile Ihres Händetrockners gilt eine Gewährleistung von fünf Jahren auf Material- und Verarbeitungsfehler, sofern das Gerät gemäß der Bedienungs- und Montageanleitung eingesetzt wird.

Weitere Informationen hierzu erhalten Sie vom Dyson Kundendienst.

Bei Fehlern der Elektrik führt Dyson die Reparatur innerhalb des Garantiezeitraums kostenlos durch.

Für den Austausch der Motoreinheit, des Filters und der Magnetspule gilt keine Garantie auf die Arbeitsleistung. Bei einem Versagen dieser Teile erhält der Kunde Ersatzteile zur Montage vor Ort.

Weitere Informationen hierzu erhalten Sie vom Dyson Kundendienst.

Wenn ein Filter ausgetauscht werden muss, erhält der Kunde von Dyson ein Filterwechsel-Kit zur Montage vor Ort.

- Alle an Dyson zurückgesendeten und ersetzten Teile werden Eigentum von Dyson.
- Durch den Ersatz eines Teils Ihres Geräts während der Garantielaufzeit wird die Garantiedauer nicht verlängert.
- Die Garantie bietet zusätzliche Vorteile, die Ihre gesetzlich festgelegten Rechte als Kunde ergänzen, diese jedoch in keiner Weise berühren.

### WAS WIRD NICHT ABGEDECKT

Dyson übernimmt keine Garantie für die Reparatur oder den Ersatz eines Produkts, sofern der Defekt auf Folgendes zurückzuführen ist:

- Unfallschäden, die durch unsachgemäße Verwendung oder Pflege, unbeabsichtigten oder vorsätzlichen Missbrauch, Vernachlässigung, Vandalismus sowie unvorsichtigen Umgang mit dem Gerät, der nicht mit der Dyson Bedienungsanleitung konform ist, entstanden sind.

- Verwendung von Teilen, die nicht gemäß der Richtlinien von Dyson montiert oder eingebaut wurden.
- Verwendung von Teilen und Zubehör anderer Hersteller.
- Eine fehlerhafte Installation bzw. eine Installation, bei der die von Dyson bereitgestellten Installationsanleitungen nicht strikt eingehalten werden (außer wenn Dyson die Installation selbst vornimmt).
- Reparaturen oder Änderungen, die nicht im Einklang mit den Anweisungen von Dyson durchgeführt wurden.
- Schäden durch äußere Ursachen wie Transport, Wetter, Stromausfälle oder Spannungsspitzen.
- Normaler Verschleiß (z. B. Sicherungen etc.).
- Schäden aufgrund von unsachgemäßer Reinigung, die nicht den Anweisungen dieser Anleitung entspricht: zum Beispiel durch die Reinigung mit Chemikalien oder Produkten, die als schädlich für das Gerät aufgelistet wurden.
- Schäden durch Wassereintritt durch eine Reinigung oder Behandlung, die nach den Anleitungen in diesem Handbuch nicht zulässig ist.
- Elektrische Schäden, Überschwemmungen- oder Strukturschäden sowie Geschäfts- oder Einnahmeverluste infolge von Produktfehlern. Wenn Sie sich nicht sicher sind, was von Ihrer Gewährleistung abgedeckt wird, wenden Sie sich bitte an Dyson (Details auf dem hinteren Deckblatt).

## ZUSAMMENFASSUNG

- Sie müssen einen Kauf- bzw. Liefernachweis (Originalnachweis und alle folgenden) vorlegen, bevor Arbeiten an Ihrem Dyson Gerät vorgenommen werden können bzw. bevor etwaige Ersatzteile geliefert werden. Ohne diesen Beleg werden Ihnen die Kosten sämtlicher anfallenden Arbeiten in Rechnung gestellt. Bitte bewahren Sie Ihren Kaufbeleg oder Lieferschein daher sorgfältig auf.
- Gemäß den oben genannten Ausschlüssen werden sämtliche im Rahmen dieser Garantie auszuführenden Arbeiten durch Dyson oder seine autorisierten Partner ausgeführt.

## DER SCHUTZ IHRER DATEN

### REGISTRIERUNG IHRES DYSON PRODUKTS

- Sie müssen Kontaktinformationen angeben, damit Sie Ihr Produkt registrieren und wir Garantieleistungen ausführen können.
- Bei Ihrer Registrierung können Sie auswählen, ob Sie Mitteilungen von uns erhalten möchten. Wenn Sie sich für den Erhalt der Mitteilungen von Dyson entscheiden, senden wir Ihnen Informationen zu besonderen Angeboten und Neuigkeiten zu unseren aktuellen Innovationen zu. Ihre Informationen werden nicht an Dritte weitergegeben und von uns ausschließlich in Übereinstimmung mit den auf unserer Website [privacy.dyson.com](http://privacy.dyson.com) angegebenen Datenschutzrichtlinien verwendet.

# DK

## VIGTIGE SIKKERHEDSANVISNINGER

### LÆS OG GEM DISSE ANVISNINGER

**FØR MONTERING OG BRUG AF DETTE APPARAT SKAL DU LÆSE ALLE ANVISNINGER OG ADVARSLER I DENNE INSTALLATIONSVEJLEDNING OG BRUGERVEJLEDNINGEN.**

**FØLGENDE RETNINGSLINJER SKAL OVERHOLDES FOR AT REDUCERE RISIKOEN FOR BRAND, ELEKTRISK STØD OG PERSONSKADE:**

1. Apparatet er ikke beregnet til brug af personer (inklusive børn) med nedsatte fysiske, sensoriske eller logiske evner, eller af personer uden den nødvendige erfaring og viden, med mindre de er blevet instrueret i brugen af apparatet af en person, som er ansvarlig for deres sikkerhed.
2. Håndtørreteren må ikke bruges til andre formål end vask og tørring af hænder. Brug kun apparatet efter producentens hensigt. Kontakt producenten, hvis du har spørgsmål.
3. Før servicering skal strømmen slås fra på servicepanelet. Sørg for, at kontakten er låst for at forhindre, at der ved et uheld bliver tændt for strømmen. Hvis kontakten til strømafbrydelse ikke kan låses, skal der fastgøres en tydelig advarsel – f.eks. et mærkat – på servicepanelet.

Børn bør være under opsyn for at sikre, at de ikke leger med apparatet.

**BRUG IKKE EN HØJTRYKSRENSER TIL RENGØRING AF ELLER I NÆRHEDEN AF DETTE APPARAT.**

### ADVARSEL

**MED HENBLIK PÅ AT REDUCERE RISIKOEN FOR BRAND ELLER ELEKTRISK STØD MÅ DENNE ENHED IKKE TILSLUTTES ET APPARAT TIL ELEKTRONISK SPÆNDINGSREGULERING**

**AL INSTALLATION OG REPARATION (BLIKKENS LAGER- OG ELEKTRIKERARBEJDE) SKAL UDFØRES AF EN AUTORISERET PERSON ELLER EN DYSON-SERVICETEKNIKER I OVERENSSTEMMELSE MED GÆLDENDE, LOKALE REGLER.**

### FORSIGTIG

Håndtørreteren bør placeres indendørs. Driftstemperaturområde: 0° C (32° F) til 40° C (104° F). Med henblik på at mindske faren for brand eller elektrisk stød må apparatets interne dele/komponenter ikke udsættes for fugt.

## TAK, FORDI DU VALGTE AT KØBE EN DYSON AIRBLADE WASH+DRY-HÅNDTØRRER

### DYSON KUNDESERVICE

Din håndtørreter er dækket af vilkårene i den begrænsede garanti i fem år fra købsdatoen.

Registrer din garanti nu på [www.dyson.com](http://www.dyson.com).

Hvis du har spørgsmål angående din håndtørreter, kan du ringe til Dysons helpline og oplyse dit serienummer samt detaljer om, hvor og hvornår du købte apparatet.

Noter dit serienummer her til fremtidig brug.

Dit serienummer findes på bagpladens nederste højre hjørne, på registreringsarket i emballagen og på det store mærkat, der sidder rundt om vandhanen, når apparatet er pakket ud.



Denne illustration er kun et eksempel.

I emballagen til håndtørreteren er der vedlagt en omfattende installationsvejledning. Denne indeholder detaljerede oplysninger om, hvordan apparatet skal installeres. Disse retningslinjer SKAL følges, herunder ledningsføringen. Din garanti dækker ikke skader, som skyldes forkert installation.

Det anbefales at montere et filter i ledningen for at forhindre skader, der kan påvirke garantien.

DK

**BEMÆRK:** Sørg for, at vandforsyningen er helt skyllet for snavs, kobberfyldninger osv. før tilslutning til produktet. Undladelse af dette vil beskadige cylinderspølen. Instruktionerne i denne brugervejledning og i installationsvejledningen skal følges nøje, da der ellers er risiko for funktionssvigt samt skader på ejendom og/eller personer. Det anbefales at montere en afspærringsventil ved installation af apparatet. Dyson er ikke ansvarlig for skader på ejendom eller personer eller tab af forretning eller omsætning, hvis du, dine medarbejdere, din installatør eller servicetekniker ikke har fulgt instruktionerne i denne brugervejledning og installationsvejledningen.

## VEDLIGEHOLDELSE AF DIN HÅNDTØRRER

### ADVARSEL

Dette apparat må ikke bruges over vaske med prop. Før der åbnes for vandet, skal du sørge for, at afløbet er fri for enhver hindring, og at vandet frit kan løbe ud.

### BRUGERVEJLEDNING

Anbring dine hænder midt under vandhanen. Vandet bliver automatisk ved med at løbe, så længe hænderne forbliver under hanen.

Den bedste tørretid opnås som følger:

- Anbring dine hænder på den ene eller den anden side af midtervandhanen for at aktivere håndtørreren, der skaber luftstrømme, som skraber vandet af dine hænder.
- Bevæg hænderne langsomt frem og tilbage gennem luftstrømmen og vend dem, så både håndflader og håndrygge udsættes for luftstrømmen.
- Hold hænderne fladt og parallelt med apparatets overflade, ca. 5 mm fra bladet, og træk hænderne gennem luftstrømmen fra håndleddet til fingerspidserne.

### VEJLEDNING TIL PROBLEMLØSNING

#### ADVARSEL: RISIKO FOR ELEKTRISK STØD.

Problem	Handling
Håndtørreren starter ikke.	Kontroller, at sikringen/strømafbryderen fungerer korrekt, og at elforsyningen er slået til. Kræver en uddannet elektriker. Sørg for, at rengøringshætten er fjernet, og at følerne er rene og fri for hindringer. Hvis der findes en kontakt, skal du tænde og slukke for apparatet. Hvis der ikke findes en kontakt, skal en uddannet elektriker udføre denne opgave.
Håndtørreren tænder og slukker tilfældigt.	Sørg for, at følerne er rene og fri for hindringer. Kontroller, at vandhanens følerkabel er sikkert forbundet. Kræver en uddannet elektriker.
Håndtørreren slukker somme tider under brug, men begynder at fungere igen efter et stykke tid.	Kontroller, at luftindtaget er rent og frit for støv. Fjern eventuelt støv fra luftindtaget. Sørg for, at luftindtaget er frit for hindringer, og at der er tilstrækkelig plads omkring det (se installationsvejledningen).

Det tager længere tid for håndtørre- ren at tørre.	Efterse indtaget for støv, og fjern det om nødvendigt. Efterse filteret, og udskift det om nødvendigt. Sørg for, at slangen er korrekt monteret til bunden af vandhanen, og at der ikke er nogen utætheder. Kræver en uddannet elektriker.
Der kommer hele tiden luft fra håndtørre- ren.	Sørg for, at følerne er rene og fri for hindringer
Der kommer ingen luft fra håndtørre- ren.	Kontroller, at sikringen/strømafbryderen fungerer korrekt, og at elforsyningen er slået til. Kræver en uddannet elektriker. Sørg for, at luftslangen er korrekt monteret til bunden af vandhanen, og at der ikke er nogen utætheder. Kræver en uddannet elektriker. Kontroller, at vandhanens følerkabel er sikkert forbundet. Kræver en uddannet elektriker.

## VANDHANE

Problem	Handling
Vandet løber hele tiden fra vandhanen.	Sørg for, at følerne er rene og fri for hindringer
Der kommer ikke vand fra vandhanen.	Sørg for, at der tændt for strømmen, åbnet for vandet og at afspærringsventilen er åben. Kræver en uddannet elektriker. Sørg for, at luftkanalen er fri for snavs, fjern og rengør/udskift om nødvendigt.
Vandet fra vandhanen er for varmt eller koldt.	Kontakt da Dysons Helpline.

Hvis du har yderligere spørgsmål, bedes du kontakte Dyson Helpline.

## BRUG I OMRÅDER, HVOR DER TILBEREDES FØDEVARER.

En særlig installation er påkrævet i miljøer med fødevarerfremstilling. Denne skal være tætsluttet om både motorhus og slange i et renseligt materiale eller have motorhuset placeret på den modsatte side af en væg med tilstrækkelig plads under selve huset til grundig rengøring (hvis relevant). Enheden skal i dette tilfælde være placeret mindst 2,5 meter fra alle utildækkede fødevarer samt evt. utildækkede overflader, hvor fødevarerfremstilling finder sted.

## RENGØRING

Håndtørre-  
ren bør rengøres dagligt.

Aftør følerne med en blød klud med et rengøringsmiddel, der ikke sliber, og placer derefter en rengøringshætte over følerne for at forhindre, at luft og vand aktiveres.

Rengør alle vandhanens overflader, vask, spejl og evt. vægge eller bordflader.

HUSK at fjerne rengøringshætten efter rengøring.  
Rengør **REGELMÆSSIGT** luftindtaget i bunden under motoren (under vasken). Sørg for at vaskens afløb er fri for blokeringer, så vandet frit kan løbe ud.

## VIGTIGE OPLYSNINGER

Undlad at bruge en højtryksrenser på apparatet.

Alle rengøringsmidler skal bruges præcis som anvist af producenten (herunder i en passende opløsning).

Hvis et rengøringsmiddel sidder for længe på apparatet, vil der dannes en hinde. Dette kan reducere effekten af de anti-bakterielle overflader.

Alle potentielle rengøringsmidler bør først afprøves på et skjult område for at sikre deres egnethed. Det bør desuden sikres, at andre skadelige væsker (udover rengøringsmidler) ikke kommer i kontakt med apparatet, specielt olie og alkoholbaserede produkter.

## RETNINGSLINJER VED RENGØRING MED VAND

Denne håndtørre-  
ren er IP35-certificeret.

Brug af højtryksrenser kan presse vand ind i apparatet.

Vandskader forårsaget af forkert rengøring vil ugyldiggøre din garanti.

## AUTOMATISK VANDSKYL

Produktet er udstyret med automatisk vandskyl, som aktiveres i 60 sek. 24 timer efter sidste brug. Dette hjælper med at reducere stillestående vand og bakteriespredning i produktet.

Sørg for, at produktet altid er installeret over en fungerende vaskekumme med tilsluttet afløb.

## VEJLEDNING I UDSKIFTNING AF CYLINDERSPOLE

Det kan være nødvendigt at udskifte cylinderspølen i din håndtørre-  
ren. Hvis du har mistanke om, at det er tilfældet, skal du kontakte Dyson Helpline.

Under udskiftning af cylinderspølen skal strøm- og vandforsyning være frakoblet håndtørre-  
ren. Hvis det ikke er tilfældet, kan der opstå alvorlige skader på personer og ejendom.

## VEDLIGEHOLDELSE AF FILTER

Kontroller luftindtaget regelmæssigt for at sikre, at det er frit for støv og snavs. Det bør være tilstrækkeligt at tørre indtaget med en blød klud for at fjerne støv og snavs.

Hvis luftindtaget bliver tilstoppet, kan det blive nødvendigt at rengøre yderligere eller at udskifte filteret.

På steder, hvor apparatet bruges meget, vil et Dyson filterudskiftnings-  
sæt indeholde alt, der er nødvendigt for at udskifte apparatets HEPA-filter på stedet. Kontakt Dyson Helpline, hvis du har brug for flere oplysninger.

Rengøring eller udskiftning af filteret i din håndtørre-  
ren udføres ved nøje at følge instruktionerne, som følger med filterudskiftnings-  
sættet. Hvis der opstår tvivl, kontakt en autoriseret elektriker eller Dyson Helpline for hjælp.

## SERVICEEFTERSYN

Hvis din håndtørre-  
ren har brug for et serviceeftersyn, skal du ringe til Dyson Helpline. Besøg også [www.dyson.com](http://www.dyson.com).

DK

## OPLYSNINGER OM BORTSKAFFELSE

Dysons produkter er fremstillet af genanvendelige materialer af høj kvalitet. Genbrug, hvor det er muligt.

## DIN GARANTI

### VILKÅR OG BETINGELSER FOR DYSONS 5 ÅRS GARANTI.

Hvis du har registreret din enhed online, vil din garanti gælde fra købsdatoen. Gem venligst dit købsbevis. Hvis du ikke har et købsbevis, vil din garanti gælde fra 90 dage efter den fremstillingsdato, som fremgår af Dysons optegnelser.

Hvor dette apparat sælges inden for EU, vil denne garanti kun gælde, (i) hvis apparatet installeres og anvendes i det land, hvor det er købt, eller (ii) hvis apparatet installeres og anvendes i Østrig, Belgien, Frankrig, Tyskland, Irland, Italien, Holland, Spanien eller England at den samme model som dette apparat sælges med den samme spænding i det pågældende land. Hvor dette apparat sælges uden for EU, vil denne garanti kun gælde, hvis apparatet installeres og anvendes i det land, hvor det er købt.

## HVAD ER DÆKKET

### 5 ÅRS GARANTI

Alle fabriksdele til din håndtørrer er dækket mod fabriksfejl, materialer og udførelse i fem år fra garantiens startdato, når apparatet bruges i overensstemmelse med brugervejledningen. Ring venligst til Dysons Helpline, hvis du har brug for flere oplysninger.

I tilfælde af at der opstår elektriske fejl, vil Dyson inden for garantiperioden udføre den nødvendige reparation uden at kræve betaling for arbejdstid.

Udskiftning af samling af motorhus, filter og spole er ikke omfattet af denne arbejdstid. Hvis disse dele går i stykker, vil reservedele blive leveret, så kunden kan installere dem på stedet.

Ring venligst til Dysons Helpline, hvis du har brug for flere oplysninger.

Når et filter skal skiftes, vil Dyson levere et filterudskiftningssæt, som kunden skal installere på stedet.

- Enhver reservedel, som returneres og udskiftes af Dyson, tilhører Dyson.
- Reparation eller udskiftning af enheden. Under garantien forlænger ikke garantiperioden.
- Garantien giver fordele, som er udover, men som ikke påvirker de lovmæssige rettigheder, du har som forbruger.

## HVAD ER IKKE DÆKKET?

Dyson garanterer ikke reparation eller udskiftning af et produkt på grund af:

- Hændelige skader, fejl opstået som følge af fejlagtig brug eller vedligeholdelse, bevidst eller ubevidst misbrug, forsømmelse, hærværk, skadesløs betjening eller håndtering af enheden, der ikke er i overensstemmelse med brugervejledningens beskrivelse.
- Anvendelse af dele, der ikke er samlet eller installeret i henhold til Dysons instruktioner.
- Anvendelse af dele og tilbehør, som ikke er originale Dyson-komponenter.
- Forkert installation eller installation, som ikke er foretaget i overensstemmelse med Dysons installationsvejledning (undtagen hvis apparatet er installeret af Dyson).
- Reparationer eller ændringer, der ikke er udført i overensstemmelse med Dysons anvisninger.
- Skader forårsaget af eksterne kilder såsom transport, vejrforhold, elektriske udfald eller strømstød.
- Normal slitage (f.eks. på sikringer).

- Skader på grund af rengøring, som ikke er udført i overensstemmelse med anvisningerne i denne brugervejledning: f.eks. rengøring med kemikalier eller produkter, der er angivet som skadelig for armaturet.
- Skade som følge af vandindtrængen forårsaget af rengøring eller anden handling som forbydes i denne vejledning.
- Enhver elektrisk-, vand- eller bygningssskade, eller noget tab af omsætning eller indtjening som følge af fejl på apparatet. Kontakt venligst Dyson (se kontaktoplysninger på bagsiden), hvis du er i tvivl om, hvad din garanti dækker.

## OPSUMMERING AF DÆKNINGEN

- Du skal fremlægge leverings-/købsdokumentation (både den originale og efterfølgende), før der kan udføres nogen former for arbejde på dit Dyson-apparat, eller før der kan leveres nye dele. Uden denne dokumentation vil det udførte arbejde eller de leverede dele blive faktureret. Opbevar kvitteringen eller følgesedlen.
- Bortset fra undtagelserne ovenfor vil alt arbejde udført i henhold til denne garanti blive udført af Dyson eller dennes autoriserede repræsentanter.

## VIGTIGE OPLYSNINGER OM DATABESKYTTELSE

### NÅR DU REGISTRERER DIT DYSON-PRODUKT:

- Du skal give os grundlæggende kontaktoplysninger for at kunne registrere dit produkt og give os mulighed for at understøtte din garanti.
- Når du registrerer dig, vil du få mulighed for at vælge, om du vil modtage kommunikation fra os. Hvis du vælger at modtage kommunikation fra Dyson, vil vi sende dig oplysninger om særlige tilbud og nyheder om vores seneste innovationer. Vi vil aldrig sælge dine oplysninger til tredjeparter og bruger kun de oplysninger, du deler med os, som det er defineret i vores politik for beskyttelse af personlige oplysninger, som findes på vores hjemmeside [privacy.dyson.com](https://www.dyson.com/privacy)



# ES

## INSTRUCCIONES IMPORTANTES DE SEGURIDAD

### LEA Y GUARDE ESTAS INSTRUCCIONES

ANTES DE INSTALAR O UTILIZAR ESTA UNIDAD, LEA LAS INSTRUCCIONES COMPLETAS Y ETIQUETAS DE PRECAUCIÓN INCLUIDAS EN ESTA GUÍA DE INSTALACIÓN Y EL MANUAL DE USUARIO.

PARA REDUCIR EL RIESGO DE INCENDIO, DESCARGA ELÉCTRICA O LESIONES, TENGA EN CUENTA LO SIGUIENTE:

1. Este aparato no deben usarlo personas (incluyendo niños) con una discapacidad física, sensorial o de razonamiento, o personas que carecen del suficiente conocimiento y experiencia salvo que hayan recibido la supervisión o instrucción necesaria relativa al uso de la máquina por parte de una persona responsable de su seguridad.
2. No permita que la unidad se use para otro propósito que no sea el de lavar y secar las manos. Use esta unidad solo de la manera indicada por Dyson. Si tiene preguntas, llame al servicio de atención al cliente de Dyson.
3. Antes de realizar las tareas de mantenimiento, apague la unidad desde el panel de servicio. Asegúrese de que el interruptor quede bloqueado, para evitar que se vuelva a conectar la corriente accidentalmente. Si no consigue bloquear los interruptores de desconexión de la corriente, fije un dispositivo de advertencia visible, por ejemplo, una etiqueta, al panel de servicio.
4. Los niños deberían ser supervisados para asegurarse de que no jueguen con el aparato.

NO UTILICE NINGÚN EQUIPO DE LAVADO A PRESIÓN PARA LIMPIAR ESTA UNIDAD O CERCA DE LA MISMA.

### ⚠️ ADVERTENCIA

PARA REDUCIR EL RIESGO DE INCENDIO O DESCARGA ELÉCTRICA, NO USE ESTE APARATO CON NINGÚN DISPOSITIVO DE CONTROL DE VELOCIDAD DE ESTADO SÓLIDO.

TODO EL TRABAJO DE INSTALACIÓN Y MANTENIMIENTO (INSTALACIÓN ELÉCTRICA Y DE CAÑERÍAS) DEBE REALIZARLO UNA PERSONA CUALIFICADA O UN INGENIERO DEL SERVICIO DE MANTENIMIENTO DE DYSON CONFORME CON LOS CÓDIGOS Y NORMAS LOCALES VIGENTES.

### ⚠️ PRECAUCIÓN

El secador de manos debe instalarse en un espacio cerrado. La temperatura ambiente de funcionamiento debe estar comprendida entre 0 °C (32 °F) y 40 °C (104 °F). Para reducir el riesgo de incendio o descarga eléctrica, no exponga los mecanismos o componentes internos de este aparato a la humedad.

## GRACIAS POR COMPRAR EL SECADOR DE MANOS DYSON AIRBLADE WASH+DRY

### SERVICIO DE ATENCIÓN AL CLIENTE DE DYSON

El secador de manos está cubierto durante 5 años a partir de la fecha de compra, según los términos de la garantía limitada.

Registre ahora su garantía en [www.dyson.com](http://www.dyson.com).

Si tiene alguna pregunta acerca de su secador de manos, póngase en contacto con el servicio de atención al cliente de Dyson con el número de serie y los detalles de dónde y cuándo compró el aparato.

Apunte su número de serie aquí para una futura referencia.

El número de serie se encuentra en la esquina inferior derecha de la placa de especificaciones, en una hoja de registro en la caja y también en la etiqueta de información grande que se encuentra alrededor del grifo cuando se desembala la unidad.



Esta imagen tiene sólo fines ilustrativos.

Se incluye una guía de instalación junto con el secador de manos. Esta contiene información detallada sobre cómo instalar correctamente la unidad. Dichas instrucciones DEBEN seguirse rigurosamente, incluso la conexión de los cables eléctricos. Su garantía no cubre los daños causados por una instalación incorrecta. Se recomienda la colocación de un filtro en la línea para evitar daños que puedan afectar a la garantía.

ES

NOTA: Asegúrese de que el suministro de agua esté completamente vaciado de residuos, depósitos de cobre, etc. antes de conectarlo al producto. No hacerlo podría dañar la válvula solenoide.

Deben seguirse todas las instrucciones recogidas en este manual y en la guía de instalación, pues el no hacerlo puede derivar en un funcionamiento incorrecto, daños materiales y/o personales. Se recomienda instalar una válvula de aislamiento en este producto durante la instalación. Dyson no se hace responsable de ningún daño material o personal o pérdida de negocio o ingresos ocasionado si usted, su personal, su instalador o servicio técnico no respetan las instrucciones establecidas en este manual y la guía de instalación.

## MANTENIMIENTO DEL SECADOR DE MANOS

### ADVERTENCIA

Este producto no se debe utilizar en lavabos con el tapón puesto. Antes de activar el flujo de agua, asegúrese de que el sumidero esté libre de obstrucciones y que el agua se pueda drenar de forma segura.

### MODO DE EMPLEO

Coloque las manos debajo del secador de manos Dyson y creará automáticamente láminas de aire que eliminarán el agua de las manos.

Para un tiempo de secado óptimo:

- Extienda las manos y colóquelas en paralelo a la superficie de la máquina, a unos 5 mm del filo, y páselas bajo la corriente de aire desde las muñecas hasta la punta de los dedos.
- Mueva las manos de atrás adelante lentamente por la corriente de aire, y gírelas para que tanto el dorso como la palma se espongan a la corriente.
- Extienda las manos juntando todos los dedos para asegurarse de que la mano al completo pase por la corriente de aire.

## GUÍA DE RESOLUCIÓN DE PROBLEMAS

### ADVERTENCIA: RIESGO DE DESCARGA ELÉCTRICA.

Problema	Acción
El secador de manos no se enciende.	Revise que el disyuntor y los fusibles estén funcionando y que el suministro eléctrico esté conectado. Esto debe ser realizado por un electricista cualificado. Asegúrese de quitar la tapa de limpieza y de que los sensores estén limpios y sin obstrucciones. Si se encuentra disponible algún dispositivo interruptor seguro, encienda y apague la unidad. En caso contrario, un electricista cualificado debe realizar esta operación.

El secador de manos se enciende y apaga de manera irregular.	Asegúrese de que los sensores están limpios y libres de cualquier obstrucción. Compruebe que el cable del sensor del grifo está firmemente conectado. Esto debe ser realizado por un electricista cualificado.
El secador de manos se apaga ocasionalmente cuando está en uso, pero se vuelve a encender después de un tiempo.	Compruebe que la entrada de aire está limpia y libre de polvo. Si hay polvo en la entrada de aire, límpiela. Asegúrese de que la entrada de aire esté libre de obstrucciones y tenga suficiente espacio alrededor (ver las instrucciones de instalación).
El tiempo de secado del secador de manos ha aumentado.	Inspeccione la entrada por si tuviera polvo y retírelo. Revise el filtro y cámbielo si es necesario. Asegúrese de que la manguera está firmemente fijada a la base del grifo y no presenta fugas. Esto debe ser realizado por un electricista cualificado.
El aire no deja de salir continuamente del secador.	Asegúrese de que los sensores están limpios y libres de cualquier obstrucción.
No sale aire del secador.	Revise que el disyuntor y los fusibles estén funcionando y que el suministro eléctrico esté conectado. Esto debe ser realizado por un electricista cualificado. Asegúrese de que la manguera de aire está firmemente fijada a la base del grifo y no presenta fugas. Esto debe ser realizado por un electricista cualificado. Compruebe que el cable del sensor del grifo está firmemente conectado. Esto debe ser realizado por un electricista cualificado.

## GRIFO

Problema	Acción
El agua sale continuamente del grifo.	Asegúrese de que los sensores están limpios y libres de cualquier obstrucción.
No sale agua del grifo.	Asegúrese de que la fuente de alimentación y el suministro de agua están encendidos y que la válvula de aislamiento está abierta. Esto debe ser realizado por un electricista cualificado. Asegúrese de que el aireador no tiene suciedad; retírelo y límpielo o sustitúyalo si fuera necesario.
El agua que sale del grifo está muy caliente o muy fría.	Contacte con el servicio de atención al cliente.

Si tiene alguna otra pregunta, póngase en contacto con el servicio de atención al cliente de Dyson.

## USO EN ZONAS DE MANIPULACIÓN DE ALIMENTOS

Los entornos donde se preparan alimentos requieren una instalación especial: el conjunto del motor y el tubo flexible deben encerrarse por completo en una cubierta limpiable, o bien el conjunto del motor debe ubicarse al otro lado de una pared; es necesario dejar espacio suficiente para limpiar por debajo de la unidad (en su caso) y esta debe situarse a una distancia mínima de 2,5 metros de alimentos sin cubrir o de superficies descubiertas que estén en contacto con alimentos.

## LIMPIEZA

El secador de manos debe limpiarse diariamente.

Limpie los sensores con un paño suave y un limpiador no abrasivo y coloque una tapa de limpieza sobre los sensores para evitar que se activen el aire y el agua.

Limpie todas las superficies del grifo, lavabo, espejo y cualquier pared o encimera.

Cuando finalice, RECUERDE retirar la tapa de limpieza.

Limpie las entradas de aire de la base del conjunto del motor (debajo del lavabo). Asegúrese de que no haya nada que bloquee el desagüe del lavabo y el agua se drene de forma fluida.

## INFORMACIÓN IMPORTANTE

No lave la unidad a presión.

Todos los productos de limpieza deben usarse siguiendo estrictamente las instrucciones del fabricante (incluida su dilución adecuada).

Si se deja un producto de limpieza demasiado tiempo en la unidad, se formará una película. Esto puede restar eficacia y dañar las superficies antimicrobianas.

Cualquier producto químico que se desee utilizar debe probarse primero en una zona poco visible para comprobar su adecuación. Se deben tomar medidas para evitar que cualquier fluido nocivo (distinto de los agentes de limpieza) entre en contacto con el aparato, concretamente aceites y productos con base de alcohol.

## DIRECTRICES SOBRE EL USO DEL AGUA

Este secador de manos cuenta con certificación IP35.

El lavado a presión puede filtrar agua dentro de la carcasa.

Los daños por agua derivados de una limpieza incorrecta anularán la garantía.

## FUNCIÓN DE VACIADO AUTOMÁTICO

La unidad está equipada con una función de limpieza automática fija, que se activa durante 60 segundos 24 horas después de su último uso. Ayuda a reducir el estancamiento del agua y la proliferación de bacterias dentro del producto.

Instale siempre la unidad sobre un lavabo adecuado con el desagüe libre y conectado.

## DIRECTRICES DE SUSTITUCIÓN DEL SOLENOIDE

Puede que sea necesario reemplazar el solenoide del secador de manos. Si sospecha que este es el caso, póngase en contacto con el servicio de atención al cliente de Dyson.

Para reemplazar el solenoide, debe desconectar el conducto del agua y la alimentación eléctrica del secador de manos. De lo contrario se podrían producir lesiones o daños graves a la propiedad.

## MANTENIMIENTO DEL FILTRO

Compruebe periódicamente que la entrada de aire no tiene polvo y suciedad. Solo frotar la entrada con un paño suave debería ser suficiente para eliminar el polvo y la suciedad.

Si la entrada de aire se obstruye, se requiere una limpieza más profunda o un cambio de filtro.

En caso de necesitarse para entornos de uso frecuente, el kit de cambio de filtro Dyson dispone de todo lo necesario para cambiar el filtro HEPA de la unidad in situ. Para más información, póngase en contacto con la línea directa de asistencia al cliente de Dyson.

La limpieza o sustitución del filtro en su secador de manos puede realizarse cuidadosamente siguiendo las instrucciones que aparecen en el kit de cambio de filtro. Si tiene alguna duda, consulte a un electricista cualificado o póngase en contacto con el servicio de atención al cliente de Dyson para solicitar asistencia.

## REPARACIÓN

Si el secador de manos requiere reparación, póngase en contacto con el servicio de atención al cliente de Dyson. También puede visitar el sitio web [www.dyson.com](http://www.dyson.com).

## INFORMACIÓN ACERCA DE LA ELIMINACIÓN DEL PRODUCTO

Los productos Dyson están fabricados con materiales reciclables de alta calidad. Por favor, deseché este producto de manera responsable y recíclelo en la medida de lo posible.

## SU GARANTÍA

### TÉRMINOS Y CONDICIONES DE LA GARANTÍA DE 5 AÑOS DE DYSON

Si ha registrado su unidad en línea, la garantía empezará a tener vigencia desde el día de la compra. Conserve su justificante de compra. Si no tiene el justificante de compra, la validez de la garantía empezará a contar a partir de los 90 días siguientes a la fecha de fabricación, según los registros de Dyson.

En los países dentro de la Unión Europea donde se venda esta unidad, esta garantía tendrá validez solo (i) si la unidad se instala y se usa en el país donde se vendió o (ii) si la unidad se instala y se usa en Austria, Bélgica, Francia, Alemania, Irlanda, Italia, Países Bajos, España o el Reino Unido y se vende el mismo modelo que esta unidad con el mismo voltaje en el país correspondiente. En los lugares fuera de la Unión Europea donde se venda esta unidad, esta garantía tendrá validez solo si la unidad se instala y se usa en el país donde se vendió.

### ¿QUÉ ESTÁ CUBIERTO?

### GARANTÍA DE 5 AÑOS

Todas las piezas de fábrica del secador de manos cuentan con una garantía por defectos de fabricación, de materiales o mano de obra si se utiliza conforme el manual del propietario y la guía de instalación por un período de 5 años a partir de la fecha de inicio de la garantía. Póngase en contacto con el servicio de atención al Cliente de Dyson para obtener más información.

En el caso de que se produzca algún fallo eléctrico durante el período de garantía, Dyson llevará a cabo las reparaciones necesarias sin coste de mano de obra.

La cobertura de la mano de obra no incluye el reemplazo del conjunto del cubo del motor, del filtro y del solenoide. En caso de que estas piezas fallen, se enviarán piezas de repuesto

para que el cliente las instale por su cuenta.

Póngase en contacto con el servicio de atención al Cliente de Dyson para obtener más información.

Cuando se necesite cambiar un filtro, Dyson proporcionará un kit de reemplazo de filtro para que lo instale el cliente en el lugar.

- Todas las piezas que se devuelvan a Dyson o que Dyson reemplace serán propiedad de Dyson.
- La reparación o sustitución de su aparato en garantía no extenderá del período de cobertura.
- La garantía proporciona ventajas adicionales y que no afectan a ninguno de sus derechos legales como consumidor.

## ¿QUÉ NO ESTÁ CUBIERTO?

Dyson no garantiza la reparación o el cambio del producto cuando el defecto que presenta es resultado de:

- Daño accidental, fallos ocasionados por uso o cuidado negligente, mal uso no intencional o deliberado, negligencia, vandalismo, uso descuidado o por el manejo de la unidad sin respetar las recomendaciones del manual de funcionamiento de Dyson.
- Uso de piezas no montadas o instaladas conforme a las instrucciones de Dyson.
- Uso de piezas y accesorios no originales de Dyson.
- Instalación defectuosa o que no siga con precisión las instrucciones de instalación de Dyson (excepto en los casos en que la instalación haya estado a cargo de Dyson).
- Reparaciones o alteraciones realizadas sin seguir las instrucciones de Dyson.
- Daños ocasionados por fuentes externas como transporte, condiciones atmosféricas, apagones eléctricos o subidas de tensión.
- Desgaste normal (p. ej., fusibles, etc.).
- Daño causado por tareas de limpieza que no se ajustan a las instrucciones de este manual: por ejemplo, limpieza con productos químicos o productos que pueden dañar la unidad.
- Daños ocasionados por la filtración de agua debido a una limpieza o tratamiento prohibido por este manual.
- Daños eléctricos, estructurales o por inundación, pérdida de la actividad comercial o de ganancias como resultado de un fallo del producto. Si tiene alguna duda acerca de la cobertura de la garantía, póngase en contacto con Dyson (encontrará los datos de contacto en la cubierta posterior del manual).

## GARANTÍA

- Debe facilitar el comprobante (la copia original y cualquier comprobante posterior) de entrega/compra antes de que se realice cualquier tipo de servicio en su aparato Dyson o antes de que se suministre cualquier pieza de repuesto. Sin este comprobante, se cobrará cualquier servicio realizado o pieza suministrada. Conserve el recibo o el resguardo de entrega.
- Conforme a las exclusiones anteriores, todos los servicios que vayan a ser realizados en virtud de esta garantía correrán a cargo de Dyson o de sus agentes autorizados.

## INFORMACIÓN DE PROTECCIÓN DE DATOS

### AL REGISTRAR SU PRODUCTO DYSON:

- Deberá proporcionarnos información de contacto básica acerca de usted para que podamos registrar su producto y prestarle garantía.
- Durante el registro tendrá la oportunidad de aceptar la recepción de nuestras comunicaciones. Si accede a recibir comunicaciones de Dyson, le enviaremos ofertas especiales y noticias sobre nuestras innovaciones más recientes. Nunca venderemos a terceros la información que comparta con nosotros y la utilizaremos siempre según lo estipulado en las políticas de privacidad publicadas en nuestra web: [privacy.dyson.com](https://www.dyson.com/privacy).

# FI

## TÄRKEITÄ TURVALLISUUSOHJEITA LUE JA SÄILYTÄ NÄMÄ OHJEET

**ENNEN LAITTEEN ASENNUSTA TAI KÄYTTÖÄ ON LUETTAVA KAIKKI TÄMÄN KÄYTTÖOPPAAN JA ASENNUSOPPAAN SISÄLTÄMÄT OHJEET JA VAROITUSMERKINNÄT.**

**TULIPALON, SÄHKÖISKUN JA HENKILÖVAHINKOJEN VAARAN VÄLTÄMISEKSI ON NOUDATETTAVA SEURAAVIA OHJEITA:**

1. Laitetta ei ole tarkoitettu sellaisten henkilöiden (ml. lasten) käyttöön, joiden fyysiset, sensoriset tai psyykkiset kyvyt ovat rajoittuneet tai joilla ei ole tarpeeksi kokemusta tai tietoa laitteen käytöstä, ellei laitteen käyttöä valvo tai opasta tällaisen henkilön turvallisuudesta vastaava toinen henkilö.
2. Laitetta ei saa käyttää mihinkään muuhun tarkoitukseen kuin käsien pesemiseen ja kuivaamiseen. Käytä laitetta ainoastaan Dysonin tarkoittamalla tavalla. Jos sinulla on kysyttävää, ota yhteys Dysonin asiakaspalveluun.
3. Katkaise virta sähkötaulusta, ennen kuin aloitat huollon. Varmista lukitsemalla, jotta virtaa ei voi kytkeä päälle vahingossa. Jos kytkimen lukitseminen ei ole mahdollista, kiinnitä sähkötauluun varoituskyltti tai muu huomiota herättävä varoitus.
4. Lapsia tulee valvoa, jotta he eivät leiki laitteella.

**ÄLÄ KÄYTÄ PAINEPESURIA LAITTEEN TAI SEN LÄHIYMPÄRISTÖN PUHDISTAMISEEN.**

### **! VAROITUS**

**TULIPALON TAI SÄHKÖISKUN VAARAN VÄLTÄMISEKSI ÄLÄ KÄYTÄ TÄTÄ LAITETTA MINKÄÄN PUOLIOHTEISEN NOPEUDENSÄÄTÖLAITTEEN KANSSA.**

**KAIKKI ASENNUS- JA KORJAUSTYÖT (PUTKISTO- JA SÄHKÖTYÖT) SAA SUORITTA A VAIN PÄTEVÄ ASENTAJA TAI DYSONIN HUOLTOINSINÖÖRI VOIMASSA OLEVIEN PAIKALLISTEN MÄÄRÄYSTEN JA SÄÄDÖSTEN MUKAISESTI.**

### **! HUOMIO**

Käsienkuivain on sijoitettava sisätiloihin. Ympäristön lämpötilan on oltava käytön aikana 0–40 °C. Laitteen sisäisiä mekanismeja/osia ei saa altistaa kosteudelle sähköiskun vaaran välttämiseksi.

## KIITOS, ETTÄ VALITSIT DYSON AIRBLADE WASH+DRY -KÄSIENKUIVAIMEN

### DYSONIN ASIAKASPALVELU

Takuu kattaa käsienkuivaimen 5 vuoden ajan ostopäivästä lähtien takuuehtojen mukaisesti.

Rekisteröi takuusi nyt osoitteessa [www.dyson.com](http://www.dyson.com).

Jos sinulla on kysyttävää käsienkuivaimesta, soita Dysonin asiakaspalveluun ja kerro laitteen sarjanumero sekä ostopäivämäärä ja -paikka.

Kirjoita sarjanumero tähän mahdollista tulevaa tarvetta varten.

Sarjanumero löytyy taustalevyn oikeasta alakulmasta, laatikon rekisteröintilomakkeesta sekä suuresta tietotarrasta, joka on laitteen etuosassa, kun laite puretaan pakkauksesta.



Tämä kuva on vain esimerkki.

Täydellinen asennusopas löytyy käsienkuivaimen pakkauksesta. Se sisältää yksityiskohtaista tietoa laitteen oikeasta asennuksesta. Näitä ohjeita (ml. sähköjohtojen reititys) TÄYTYY noudattaa tarkasti. Takuu ei kata virheellisen asennuksen aiheuttamia vaurioita.

Letkun suodattimen tarkoituksena on välttää vauriot, jotka saattaisivat vaikuttaa takuuseen.

**HUOMIO:** Varmista ennen tuotteeseen tehtävää kytkentää, että vedensyöttö on huuhdeltu täysin puhtaaksi jätteestä, kuparilastuista yms. Tämän toimenpiteen laiminlyönti aiheuttaa vaurioita solenoidiventtiiliin.

Tämän käyttöoppaan ja asennusoppaan ohjeita on noudatettava täsmällisesti.

Ohjeista poikkeaminen voi johtaa vialliseen toimintaan, henkilö- ja/tai aineellisiin vahinkoihin. On suositeltavaa asentaa sulkuventtiili tämän tuotteen asennuksen yhteydessä. Dyson ei ole velvollinen korvaamaan henkilö- tai aineellisia vahinkoja tai mitään liikevaihdon tai myyntitulojen menetyksiä, jos sinä, henkilökuntasi tai asennus- tai huoltoteknikot ette noudata käyttöohjeessa ja asennusoppaassa annettuja ohjeita.

FI

## KÄSIENKUIVAIMEN HOITO

### VAROITUS

Tätä tuotetta ei saa käyttää tulpalla varustetuissa altaissa. Varmista ennen vedentulon käynnistämistä, ettei viemäriaukossa ole tukkeita ja että vesi valuu viemäriin esteittä.

### KÄYTTÖOHJEET

Aseta kätesi hanan keskikohdan alapuolelle. Vesi virtaa automaattisesti niin kauan kuin pidät käsiä hanan alla.

Paras kuivusaikatulos:

- Aktivoi käsienkuivain asettamalla kätesi keskellä olevan hanan jommallekummalle puolelle, jolloin ilmavirta pyyhkii veden käsistäsi.
- Liikuta käsiäsi hitaasti eteen- ja taaksepäin ja käännä ne ympäri siten, että käsien molemmat puolet altistuvat ilmavirralle.
- Pidä kädet suorina ja kaikki sormet yhdessä, jotta ilmavirta osuu kaikkialle käsien alueelle.

### VIANMÄÄRITYSOPAS

#### VAROITUS: SÄHKÖISKUN VAARA.

Ongelma	Toimet
Käsienkuivain ei käynnisty.	Tarkista, että sulake/katkaisin toimivat ja että sähkön- ja vedenjakelu on kytketty. Suoritettava pätevän sähköasentajan toimesta. Varmista, että puhdistussuoja on poistettu ja että tunnistimet ovat puhtaat ja esteettömät. Jos virran voi kytkeä turvallisesti, käynnistä yksikkö ja sammuta se. Jos sammuta yksikkö ja käynnistä se uudelleen, on pätevän sähköasentajan suoritettava tämä toimenpide.
Käsienkuivain käynnistyy ja sammuu satunnaisesti.	Tarkista, että tunnistimet ovat puhtaat ja esteettömät. Tarkista, että hanan tunnistinkaapeli on kytketty oikein. Suoritettava pätevän sähköasentajan toimesta.
Käsienkuivain sammuu joskus käytön aikana, mutta se kytkeytyy päälle hetken kuluttua.	Tarkista, että ilmanottoaukko on puhdas ja pölytön. Poista mahdollinen pöly ilmanottoaukosta. Tarkista, että ilmanottoaukko on esteetön ja sen ympärillä on riittävästi tilaa (katso asennusohjeet).
Käsienkuivaimen kuivatusaika on pidentynyt.	Tarkista, että ilmanottoaukko on puhdas ja irrota se. Tarkista suodatin ja vaihda tarvittaessa. Tarkista, että letku on kiinnitetty hanan kantaan oikein ja että vuotoja ei esiinny. Suoritettava pätevän sähköasentajan toimesta.
Käsienkuivaimesta virtaa ilmaa jatkuvasti.	Tarkista, että tunnistimet ovat puhtaat ja esteettömät.

Käsienkuivaimesta ei tule ilmaa.	Tarkista, että sulake/katkaisin toimivat ja että sähkön- ja vedenjakelu on kytketty. Suoritettava pätevän sähköasentajan toimesta. Tarkista, että ilmaletku on kiinnitetty hanan kantaan oikein ja että vuotoja ei esiinny. Suoritettava pätevän sähköasentajan toimesta. Tarkista, että hanan tunnistinkaapeli on kytketty oikein. Suoritettava pätevän sähköasentajan toimesta.
----------------------------------	---

### HANA

Ongelma	Toimet
Hanasta virtaa vettä jatkuvasti.	Tarkista, että tunnistimet ovat puhtaat ja esteettömät.
Hanasta ei tule vettä.	Tarkista, että sähkön- ja vedenjakelu ovat päällä ja että sulkuventtiili on auki. Suoritettava pätevän sähköasentajan toimesta. Tarkista, että ilmastuslaitteessa ei ole roskia; poista ja puhdista/vaihda tarvittaessa.
Hanasta tuleva vesi on liian kuumaa tai kylmää.	Ota yhteys Dysonin asiakaspalveluun.

Jos sinulla on muuta kysyttävää, ota yhteys Dysonin asiakaspalveluun.

### KÄYTTÖ RUOANVALMISTUSTILOISSA

Ruoanvalmistusympäristöt edellyttävät erityistä asennusta, jossa moottorin kehikon ja letkun on oltava täysin puhdistettavan kotelon sisäpuolella tai jossa moottorin kehikon on oltava seinän vastakkaisella puolella, jossa alapuolelta tapahtuvaan (soveltuvin osin) puhdistukseen on riittävän suuri välitys ja jossa yksikkö on vähintään 2,5 metrin etäisyydellä suojaamattomasta ruoasta tai suojaamattoman ruoan kanssa kosketuksiin joutuvista pinnoista.

### PUHDISTUS

Käsienkuivain tulisi puhdistaa päivittäin.

Pyyhi tunnistimet pehmeällä liinalla ja hankaamattomalla puhdistusaineella ja laita sitten puhdistussuoja tunnistimien päälle estämään ilman- ja vedentulon käynnistyminen. Puhdista kaikki hanapinnat, allas, peili ja laidat sekä tasot. Kun olet valmis, MUISTA irrottaa puhdistussuoja.

Puhdista kaikki ilmanottoaukot ja moottorikotelo (altaan alla) SÄÄNNÖLLISESTI. Varmista, ettei viemäriaukossa ole tukkeita ja että vesi valuu viemäriin esteittä.

### TÄRKEÄÄ TIETOA

Älä pese laitetta painepesurilla.

Käytä puhdistuskemikaaleja tarkasti valmistajan ohjeiden mukaisesti (ml. laimennussuhde). Jos puhdistuskemikaali jätetään laitteen pinnalle liian pitkäksi aikaa, muodostuu kalvo. Kalvo voi vähentää mikrobintorjuntapintojen tehokkuutta ja vahingoittaa niitä. Kokeile käytettäviä kemikaaleja ensin huomaamattomaan kohtaan soveltuvuuden varmistamiseksi. On huolehdittava, ettei laitteen lähelle pääse vahingollisia nesteitä

(muuta kuin puhdistuskemikaaleja), erityisesti öljy- tai alkoholipohjaisia tuotteita.

## VETTÄ KOSKEVAT OHJEET

Käsienkuivaimella on IP35-sertifiointi.

Painepesurin käyttö voi työntää vettä kotelon sisään.

Virheellisestä puhdistuksesta johtuva vesivaurio mitätöi takuun.

## AUTOMAATTINEN HUUHTELU

Yksikkö on ohjelmoitu tekemään automaattinen huuhtelu yhden minuutin ajan 24 h viimeisen käyttökerran jälkeen. Tällä estetään veden seisomista ja bakteerien kertymistä tuotteeseen. Varmista aina, että viemärointi on toiminnassa ja yksikkö asennettu altaan ylle.

## SOLENOIDIN VAIHTO-OHJEET

Käsienkuivaimen solenoidi saatetaan joutua vaihtamaan. Jos epäilet sen tarvetta, ota yhteys Dysonin asiakaspalveluun.

Käsienkuivain on solenoidia vaihdettaessa irrotettava sähkön- ja vedenjakeluverkosta.

Tämän noudattamatta jättäminen saattaa aiheuttaa vakavan vammautumisen ja/tai vahingoittaa omaisuutta.

## SUODATTIMEN KUNNOSSAPITO

Tarkista ilmanottoaukko säännöllisesti ja varmista, että siinä ei ole pölyä tai roskia. Pöly ja roskat voidaan poistaa pyyhkimällä ilmanottoaukkoa pehmeällä kankaalla.

Mikäli ilmanottoaukko tukkeutuu, lisäpuhdistus tai suodattimen vaihto voi olla tarpeen.

Paljon käytetyissä tiloissa tarvittaessa käytettävä Dyson-suodatinvaihtopakkaus sisältää kaiken tarvittavan laitteen HEPA-suodattimen vaihtamiseen paikan päällä. Lisätietoja saat Dysonin asiakaspalvelusta.

Käsienkuivaimen suodattimen puhdistus ja vaihto voidaan suorittaa noudattamalla huolellisesti suodatinvaihtopakkauksen ohjeita. Jos et ole varma toimenpiteen suorittamisesta, ota yhteys pätevään sähköasentajaan tai pyydä lisätietoja Dysonin asiakaspalvelusta.

## HUOLTO

Jos käsienkuivaimesi tarvitsee huoltoa, soita Dysonin asiakaspalveluun. Vieraille myös verkkosivustolla osoitteessa [www.dyson.com](http://www.dyson.com).

## LAITTEEN HÄVITTÄMINEN

Dysonin tuotteet valmistetaan hyvälaatuisista, kierrätettävistä materiaaleista. Pyydämme, että hävität tuotteen vastuullisella tavalla ja kierrätät sen mahdollisuuksien mukaan.

## TAKUU

### DYSONIN MYÖNTÄMÄN 5 VUODEN TAKUUN EHDOT

Jos olet rekisteröinyt laitteesi verkossa, takuusi alkaa ostopäivästä. Säilytä ostotositteesi.

Jos hallussasi ei ole ostotositetta, takuu alkaa 90 päivää Dysonin tietojen mukaisen valmistuspäivän jälkeen.

Myytäessä tätä laitetta EU:n alueella takuu on voimassa vain, (i) jos laite on asennettu ja sitä käytetään sen myyntimaassa tai (ii) jos laite on asennettu ja sitä käytetään Itävallassa, Belgiassa, Ranskassa, Saksassa, Irlannissa, Italiassa, Alankomaissa, Espanjassa tai Yhdistyneessä kuningaskunnassa ja vastaavaa, samalla nimellisjännitteellä varustettua mallia

myydään kyseisessä maassa. Myytäessä tätä laitetta EU:n ulkopuolella takuu on voimassa vain, jos laite asennetaan ja sitä käytetään sen myyntimaassa.

## MITÄ TAKUU KATTA

### 5 VUODEN TAKUU

Takuu kattaa kaikki käsienkuivaimen tehdasosat alkuperäisvikojen, valmistusainevirheiden ja työvirheiden osalta 5 vuoden ajan takuukauden alusta lähtien, kun laitetta käytetään valmistajan käyttö- ja asennusoppaiden mukaisesti.

Lisätietoja saat Dysonin asiakaspalvelusta.

Jos esiintyy sähkövikoja, Dyson korjaa laitteen takuuajana veloittamatta tehdystä työstä.

Takuu ei kata moottorikotelon, suodattimen ja solenoidin vaihtotyötä. Jos näissä osissa ilmenee vikaa, toimitamme korvaavat osat asiakkaalle vaihdettaviksi paikan päällä.

Lisätietoja saat Dysonin asiakaspalvelusta.

Kun suodatin täytyy vaihtaa, Dyson toimittaa suodattimenvaihtosarjan asiakkaalle vaihdettavaksi paikan päällä.

- Kaikki palautetut ja Dysonin vaihtamat osat siirtyvät Dysonin omistukseen.
- Laitteen takuukorjaus tai -vaihto ei pidennä takuuajaa.
- Takuu tarjoo lisäetuja, jotka eivät vaikuta kuluttajan laillisiin oikeuksiin.

## MITÄ TAKUU EI KATA

Dysonin myöntämä takuu ei kata tuotteen korjausta tai vaihtoa, joka johtuu seuraavista syistä:

- Vahingot, huolimattomuudesta, tahattomasta tai tahallisesta väärinkäytöstä tai ilkeillä aiheutuneet vauriot tai vauriot, jotka ovat syntyneet Dysonin käyttöoppaan ohjeiden vastaisesta käytöstä tai käsittelystä.
- Sellaisten osien käytöstä syntyneet vauriot, jotka eivät ole Dysonin suosittelemia tai Dysonin ohjeiden mukaisesti asennettuja.
- Muiden kuin Dysonin alkuperäisten osien tai lisävarusteiden aiheuttamat vauriot.
- Viallinen asennus tai asennus, jossa ei ole noudatettu tarkasti Dysonin antamia asennusohjeita (ellei asennusta suorittanut Dyson).
- Dysonin ohjeiden vastaisesti suoritettavat korjaukset tai muutokset.
- Ulkoisista lähteistä kuten kuljetuksesta, säästä, sähkökatkoksista tai ylijännitteestä johtuvat vauriot.
- Normaali kuluminen (sulake, ym.).
- Vastoin tämän oppaan ohjeita tehdystä puhdistuksesta aiheutuneet vauriot: esimerkiksi vahingollisten kemikaalien luettelossa olevien aineiden käyttö laitteen puhdistukseen.
- Vauriot, jotka johtuvat veden pääsystä laitteen sisään, kun laitetta on puhdistettu tai hoidettu tässä käyttöoppaassa kielletyllä tavalla.
- Kaikenlaiset sähkö-, tulva- tai rakennevauriot tai liiketoiminnan tai tulojen menetys tuotevian vuoksi. Jos et ole varma siitä, mitä takuu kattaa, ota yhteys Dysoniin (tiedot löytyvät takakannesta).

## TAKUUN EHDOT

- Ennen huoltotoimenpiteitä tulee esittää ostokuitti (alkuperäinen ja mahdolliset huoltokuitit). Ilman kuittia huoltotyö veloitetaan. Säilytä kuitti tai toimitusvahvistus.
- Kaikki huoltotoimenpiteet suoritetaan Dysonin valtuuttamassa huoltoliikkeessä.

## TÄRKEITÄ TIETOSUOJATIETOJA

### DYSON-TUOTTEEN REKISTERÖINNIN YHTEYDESSÄ

- Tarvitsemme perusyhteystietosi tuotteen rekisteröimistä ja takuun tarjoamista varten.
- Voit valita rekisteröitymisen yhteydessä, haluatko saada Dysonilta tiedotteita. Jos sallit Dysonin lähettää tiedotteita, saat tietoja erikoistarjouksista sekä uusimmista innovaatioista. Dyson ei koskaan myy tietojasi kolmansille osapuolille, ja se käyttää antamiasi tietoja ainoastaan Dysonin sivustolla [privacy.dyson.com](https://privacy.dyson.com) olevien yksityisyydensuojakäytäntöjen mukaisesti.



# FR/BE/CH/LU

## CONSIGNES DE SÉCURITÉ IMPORTANTES

### LIRE ET CONSERVER CES CONSIGNES

**AVANT D'INSTALLER OU D'UTILISER CET APPAREIL, LISEZ TOUTES LES INSTRUCTIONS ET LES MISES EN GARDE FIGURANT DANS CE MANUEL ET DANS LES INSTRUCTIONS D'INSTALLATION.**

**AFIN DE LIMITER LES RISQUES D'INCENDIE, DE DÉCHARGE ÉLECTRIQUE OU DE BLESSURES, VEUILLEZ RESPECTER CE QUI SUIT :**

1. Cet appareil n'est pas prévu pour être utilisé par des personnes (enfants compris) dont les capacités physiques, sensorielles ou mentales sont réduites, ou manquant d'expérience ou de connaissances, sauf s'ils sont supervisés ou qu'ils ont reçu des instructions de la part d'une personne responsable de leur sécurité concernant l'utilisation de l'unité.
2. L'utilisation de l'appareil à des fins autres que le lavage et le séchage des mains est strictement interdite. L'appareil doit être utilisé exclusivement conformément aux instructions du fabricant.. Contactez le fabricant si vous avez la moindre question.
3. Coupez l'alimentation au panneau de service avant de procéder à l'entretien. Pour empêcher toute mise sous tension accidentelle, veillez à ce que le commutateur soit verrouillé. Si le dispositif de mise hors tension ne peut être verrouillé, fixez solidement une signalétique sur le panneau de service, telle qu'une étiquette bien visible.

Il convient de surveiller les enfants pour s'assurer qu'ils ne jouent pas avec l'appareil.

**N'UTILISEZ PAS D'APPAREIL DE LAVAGE HAUTE PRESSION POUR NETTOYER LE SÈCHE-MAINS OU SES ABORDS IMMÉDIATS.**

### **⚠ AVERTISSEMENT**

**AFIN DE LIMITER LES RISQUES D'INCENDIE OU DE DÉCHARGE ÉLECTRIQUE, N'UTILISEZ PAS CET APPAREIL AVEC UN DISPOSITIF DE COMMANDE DE VITESSE TRANSISTORISÉE.**

**TOUTE INSTALLATION OU RÉPARATION (PLOMBERIE ET SYSTÈME ÉLECTRIQUE) DOIT ÊTRE RÉALISÉE PAR UNE PERSONNE QUALIFIÉE OU PAR UN TECHNICIEN DE MAINTENANCE DYSON CONFORMÉMENT À LA RÉGLEMENTATION OU AUX CODES LOCAUX EN VIGUEUR.**

### **⚠ ATTENTION**

Le sèche-mains doit être installé à l'intérieur. Sa plage de températures de fonctionnement est comprise entre 0 °C et 40 °C. Pour limiter le risque d'incendie ou de décharge électrique, n'exposez pas les mécanismes/composants internes de l'appareil à l'humidité.

## MERCI D'AVOIR CHOISI LE SÈCHE-MAINS DYSON AIRBLADE WASH+DRY

### SERVICE CLIENTS DYSON

Le sèche-mains est garanti 5 ans à compter de la date d'achat, sous réserve des conditions de la garantie limitée.

Enregistrez votre garantie sur [www.dyson.com](http://www.dyson.com).

Si vous avez la moindre question concernant votre sèche-mains, appelez le Service Clients Dyson et communiquez-leur le numéro de série de l'appareil et les détails concernant la date et le lieu d'achat.

Notez votre numéro de série ici pour pouvoir vous y référer ultérieurement.

Le numéro de série se trouve en bas à droite de la plaque arrière, sur la fiche d'enregistrement fournie dans le carton, ainsi que sur l'autocollant d'information collé autour du robinet une fois l'appareil déballé.



À des fins d'illustration uniquement.

Un guide d'installation complet est fourni dans l'emballage du sèche-mains.

Il contient des instructions détaillées pour une installation correcte de l'appareil, qui DOIVENT être respectées dans leur intégralité, y compris le schéma de câblage électrique. Les dommages causés par une installation incorrecte ne sont pas couverts par la garantie.

L'installation d'un filtre en ligne est conseillée pour éviter tout dommage pouvant avoir des répercussions sur votre garantie.

REMARQUE : Avant le raccordement au produit, vérifiez que tous les débris, copeaux de cuivre, etc. sont éliminés de l'alimentation en eau. Dans le cas contraire, l'électrovanne sera endommagée.

Les instructions contenues dans ce manuel et dans le guide d'installation doivent être respectées dans leur intégralité sous peine d'entraîner un fonctionnement incorrect de l'appareil, des dommages matériels et/ou des blessures. Nous vous recommandons d'installer une vanne d'isolement sur le produit pendant son installation. Dyson décline toute responsabilité en cas de dommages matériels ou de blessures, de toute perte d'activité ou de revenus résultant du non-respect par vous-même,

FR  
BE  
CH  
LU

vosre personnel, vosre installateur ou vos techniciens de maintenance, des instructions contenues dans ce manuel et dans le guide d'installation.

## ENTRETIEN DE VOTRE SÈCHE-MAINS

### **⚠ AVERTISSEMENT**

Ce produit ne doit pas être utilisé dans les vasques équipées d'une bonde. Avant d'activer l'arrivée d'eau, vérifiez que l'orifice d'écoulement n'est pas obstrué et que l'eau peut s'y écouler librement.

### MODE D'EMPLOI

Placez vos mains sous le sèche-mains Dyson qui générera automatiquement des lames d'air pour sécher vos mains.

Pour un séchage rapide :

- Placez les mains d'un côté ou de l'autre de la partie centrale de l'appareil pour activer le sèche-mains. Des lames d'air vous balayent alors l'eau des mains.
- Déplacez les mains lentement dans le flux d'air à une vitesse constante. 2,5 secondes par côté et alternant la face et le dos des mains à chaque fois.
- Maintenez les mains plates, fermez les espaces entre les doigts et maintenez le pouce à l'intérieur afin d'assurer que la totalité de la main est tirée dans le flux d'air.

## GUIDE DE DÉPANNAGE

### **⚠ AVERTISSEMENT : RISQUE DE DÉCHARGE ÉLECTRIQUE !**

Problème	Action
Le sèche-mains ne démarre pas.	Vérifiez le fusible/disjoncteur et le branchement de l'alimentation électrique. Cette procédure doit être effectuée par un électricien qualifié. Vérifiez que le cache de nettoyage est bien retiré et que les capteurs sont propres et non obstrués. Si une méthode de mise hors tension sécurisée est disponible, allumez puis éteignez l'unité. Si aucune méthode de mise hors tension sécurisée n'est disponible, demandez à un électricien de réaliser cette tâche.
Le sèche-mains s'allume et s'éteint sans raison.	Vérifiez que les capteurs sont propres et non obstrués. Vérifiez que le câble des capteurs partant du robinet est bien branché. Cette procédure doit être effectuée par un électricien qualifié.

Des coupures surviennent lors de l'utilisation du sèche-mains mais son fonctionnement reprend après un certain temps.	Vérifiez que l'entrée d'air est propre et exempte de poussière. Éliminer la poussière de l'entrée d'air. Assurez-vous que l'entrée d'air n'est pas obstruée et que l'ouverture est suffisante (reportez-vous aux instructions d'installation).
Le temps de séchage du sèche-mains a augmenté.	Vérifiez l'absence de poussière au niveau de l'entrée d'air et nettoyez-la si nécessaire. Contrôlez le filtre et remplacez-le si nécessaire. Vérifiez que le flexible est correctement fixé à la base du robinet et qu'il ne présente aucune fuite. Cette procédure doit être effectuée par un électricien qualifié.
Le sèche-mains envoie de l'air en permanence.	Vérifiez que les capteurs sont propres et non obstrués.
Le sèche-mains ne produit aucun flux d'air.	Vérifiez le fusible/disjoncteur et le branchement de l'alimentation électrique. Cette procédure doit être effectuée par un électricien qualifié. Vérifiez que le flexible d'air est correctement fixé à la base du robinet et qu'il ne présente aucune fuite. Cette procédure doit être effectuée par un électricien qualifié. Vérifiez que le câble des capteurs partant du robinet est bien branché. Cette procédure doit être effectuée par un électricien qualifié.

## ROBINET

Problème	Action
De l'eau s'écoule en permanence du robinet.	Vérifiez que les capteurs sont propres et non obstrués.
L'eau ne s'écoule pas du robinet.	Vérifiez que les alimentations en eau et en électricité ne sont pas coupées et que la vanne d'isolement est ouverte. Cette procédure doit être effectuée par un électricien qualifié. Vérifiez l'absence de débris dans l'aérateur. Retirez-le et nettoyez/remplacez-le si nécessaire.
L'eau qui s'écoule du robinet est trop chaude ou trop froide.	Contactez le Service Clients Dyson.

Si vous avez d'autres questions, contactez le Service Clients Dyson

## UTILISATION DANS DES ZONES DE PRÉPARATION DES ALIMENTS

Une installation spéciale est requise dans les zones de préparation alimentaire. Le bloc moteur et le flexible doivent alors être complètement enfermés dans un boîtier nettoyable ou le bloc moteur doit être placé de l'autre côté de la paroi, l'espace au-dessous doit être suffisant pour permettre le nettoyage (le cas échéant) l'appareil doit être situé à au moins 2,5 mètres de toute nourriture non couverte ou de toute surface non couverte en contact avec des aliments.

## NETTOYAGE

Le sèche-mains doit être nettoyé tous les jours.

Essuyez les capteurs à l'aide d'un chiffon doux et d'un nettoyant non abrasif, puis placez le cache de nettoyage sur les capteurs pour éviter d'activer l'air ou l'eau.

Nettoyez toutes les surfaces du robinet, la vasque, le miroir, ainsi que les murs ou plans de travail, le cas échéant. Une fois que vous avez terminé, N'oubliez pas de retirer le cache de nettoyage.

Nettoyez RÉGULIÈREMENT les entrées d'air à la base du bloc moteur (sous la vasque).

Vérifiez que l'orifice d'écoulement n'est pas bouché pour garantir un bon écoulement de l'eau.

## INFORMATIONS IMPORTANTES

Ne procédez pas à un lavage sous pression.

Tous les nettoyants chimiques doivent être employés exactement comme indiqué par le fabricant (y compris la dilution appropriée).

Un nettoyant chimique laissé trop longtemps sur l'appareil entraîne la formation d'un film, qui peut réduire l'efficacité des surfaces antibactériennes et les endommager.

Tout produit chimique doit être testé sur une zone peu visible avant utilisation pour vérifier qu'il convient. Des précautions doivent être prises pour éviter que des liquides nocifs (autres que des nettoyants chimiques) n'entrent en contact avec le produit, en particulier des huiles et produits à base d'alcool.

## RECOMMANDATIONS CONCERNANT LE CONTACT AVEC L'EAU

Ce sèche-mains est certifié IP35.

L'utilisation de nettoyeurs à haute pression peut entraîner une pénétration d'eau dans le boîtier. Les dommages causés par l'eau suite à un nettoyage incorrect entraînent l'annulation de la garantie.

## RINÇAGE AUTOMATIQUE

L'appareil est équipé d'un système de rinçage automatique fixe qui s'active pendant 60 secondes, 24 heures après la dernière utilisation. Cette fonction permet de réduire la stagnation d'eau et la prolifération de bactéries dans le produit.

Veillez vous assurer que l'appareil est toujours installé au-dessus d'une cuvette fonctionnelle avec une évacuation libre et reliée au réseau.

## REPLACEMENT DU SOLÉNOÏDE

Il peut parfois être nécessaire de remplacer le solénoïde du sèche-mains. Dans ce cas, contactez le Service Clients Dyson.

Lors du remplacement du solénoïde, vous devez débrancher le sèche-mains de l'alimentation en eau et en électricité. Le non-respect de ces instructions peut provoquer des blessures et/ou des dommages matériels.

## ENTRETIEN DU FILTRE

Vérifiez régulièrement l'absence de poussière et de débris dans l'entrée d'air. Pour les éliminer, essuyez simplement l'entrée d'air à l'aide d'un chiffon doux.

Si l'entrée d'air est obstruée, il peut être nécessaire de procéder à un nettoyage plus poussé ou de remplacer le filtre.

Dans les environnements à usage intensif, prévoyez un kit de remplacement de filtre Dyson pour remplacer, si nécessaire, le filtre HEPA de l'appareil sur place. Contactez le Service Clients Dyson pour en savoir plus.

Le nettoyage ou le remplacement du filtre du sèche-mains peut être effectué en suivant scrupuleusement les instructions fournies dans le kit de remplacement du filtre. En cas de doute, demandez conseil à un électricien qualifié ou contactez le Service Clients Dyson pour toute demande d'assistance.

## RÉPARATIONS

Si votre sèche-mains nécessite une réparation, contactez le Service consommateurs Dyson. Consultez également le site [www.dyson.com](http://www.dyson.com).

## INFORMATIONS DE MISE AU REBUT

Les produits Dyson sont fabriqués à partir de matériaux recyclables de haute qualité. Recyclez-les si possible.

## VOTRE GARANTIE

### CONDITIONS GÉNÉRALE DE LA GARANTIE DYSON DE 5 ANS

Si vous avez enregistré votre appareil en ligne, la garantie prend effet à compter de la date d'achat. Veuillez conserver votre preuve d'achat. Si vous n'avez pas de preuve d'achat, la garantie prend effet à l'expiration d'une période de 90 jours à compter de la date de fabrication, sur la base des registres de Dyson.

Lorsque l'appareil est vendu dans l'UE, cette garantie n'est valable que (i) si l'appareil est installé et utilisé dans le pays dans lequel il a été vendu ou, (ii) si l'appareil est installé et utilisé en Autriche, en Belgique, en France, en Allemagne, en Irlande, en Italie, aux Pays-Bas, en Espagne ou au Royaume-Uni, si le même modèle est vendu à la même tension nominale dans le pays en question. Lorsque l'appareil est vendu en dehors de l'UE, cette garantie n'est valable que si l'appareil est installé et utilisé dans le pays dans lequel il a été vendu.

### CE QUI EST GARANTI

#### GARANTIE DE 5 ANS

Toutes les pièces d'origine de votre sèche-mains sont garanties contre les défauts d'origine, de matériau et de fabrication pendant une période de 5 ans à compter de la date d'effet de la garantie, sous réserve d'une utilisation conforme au mode d'emploi et au guide d'installation. Veuillez contacter le Service Clients Dyson pour de plus amples informations.

Dans les cas où des pannes électriques se produisent, Dyson effectuera la réparation sans frais de main-d'œuvre pendant la période de garantie.

La main-d'œuvre est facturée en cas de remplacement du bloc moteur, du filtre et du solénoïde. En cas de défaillance de ces pièces, des pièces de rechange, que le client devra installer lui-même sur site, seront fournies.

Veillez contacter le Service Clients Dyson pour de plus amples informations.

FR  
BE  
CH  
LU

Si le filtre nécessite un remplacement, Dyson fournira un kit de remplacement du filtre, que le client devra installer lui-même sur site.

- Toutes les pièces renvoyées et remplacées par Dyson deviennent la propriété de Dyson.
- Le remplacement sous garantie de toute pièce de votre appareil ne prolonge pas la période de garantie.
- La garantie offre des avantages qui viennent s'ajouter à vos droits légaux en tant que consommateur, sans aucune incidence sur ces droits.

## CE QUI N'EST PAS GARANTI

Dyson ne garantit pas la réparation ni le remplacement d'un produit dans les cas suivants :

- Dommages accidentels ou défauts causés par une mauvaise utilisation, un entretien incorrect, une utilisation abusive qu'elle soit délibérée ou non, une négligence, un acte de vandalisme, une utilisation dangereuse ou une manipulation non conforme aux instructions du mode d'emploi Dyson.
- Utilisation de pièces non assemblées ou installées conformément aux instructions de Dyson.
- Utilisation de pièces et accessoires autres que Dyson.
- Installation défectueuse ou qui ne respecte pas scrupuleusement les instructions d'installation fournies par Dyson (sauf si elle est effectuée par Dyson).
- Réparations ou modifications non conformes aux instructions de Dyson.
- Dommages provenant de causes externes telles que le transport, les conditions climatiques, des pannes électriques ou des surtensions.
- Usure normale (ex. fusibles, etc.).
- Dommages causés par un nettoyage non conforme aux instructions de ce manuel : par exemple, un nettoyage avec des produits ou des produits chimiques référencés comme nocifs pour l'unité.
- Dommages causés par une entrée d'eau en raison d'un nettoyage ou entretien interdit dans ce manuel.
- Tout dommage électrique, structurel ou dû à une immersion, ou toute perte d'activités ou de revenus résultant de la panne du produit. En cas de doute sur les éléments couverts par votre garantie, veuillez contacter Dyson (coordonnées en quatrième de couverture).

## RÉSUMÉ DE LA GARANTIE

- Pour qu'une intervention puisse être réalisée sur votre appareil, vous devez fournir une preuve d'achat /de livraison (document original et tout document ultérieur). Sans ce document, les interventions et pièces de rechange seront facturées. Veuillez conserver votre facture ou votre bon de livraison.
- Sous réserve des exclusions susmentionnées, toute intervention couverte par cette garantie sera effectuée par Dyson ou l'un de ses agents agréés.

## INFORMATIONS IMPORTANTES CONCERNANT LA PROTECTION DES DONNÉES

### LORS DE L'ENREGISTREMENT DE VOTRE PRODUIT DYSON :

- Vous devez nous fournir des coordonnées de base pour pouvoir enregistrer votre produit et nous permettre de vous offrir la garantie.
- Lors de votre enregistrement, vous aurez la possibilité d'indiquer si vous souhaitez ou non recevoir des communications de notre part. Si vous décidez de recevoir des communications de la part de Dyson, nous vous enverrons nos offres spéciales détaillées et des informations sur nos toutes dernières innovations. Nous ne vendrons jamais vos informations à des tiers et utiliserons les informations que vous partagez avec nous uniquement tel que défini dans nos politiques de confidentialité, disponibles sur notre site [Web privacy.dyson.com](http://Web.privacy.dyson.com).

# GR/CY

## ΣΗΜΑΝΤΙΚΕΣ ΟΔΗΓΙΕΣ ΓΙΑ ΤΗΝ ΑΣΦΑΛΕΙΑ

### ΔΙΑΒΑΣΤΕ ΚΑΙ ΦΥΛΑΞΤΕ ΑΥΤΕΣ ΤΙΣ ΟΔΗΓΙΕΣ

**ΠΡΙΝ ΤΗΝ ΕΓΚΑΤΑΣΤΑΣΗ Η ΧΡΗΣΗ ΑΥΤΗΣ ΤΗΣ ΣΥΣΚΕΥΗΣ, ΔΙΑΒΑΣΤΕ ΠΡΟΣΕΚΤΙΚΑ ΟΛΕΣ ΤΙΣ ΟΔΗΓΙΕΣ ΚΑΙ ΤΙΣ ΕΝΔΕΙΞΕΙΣ ΠΡΟΦΥΛΑΞΗΣ ΣΤΟΝ ΠΑΡΟΝΤΑ ΟΔΗΓΟ ΕΓΚΑΤΑΣΤΑΣΗΣ ΚΑΙ ΤΟ ΕΧΕΙΡΙΔΙΟ ΧΡΗΣΤΗ.**

**ΓΙΑ ΤΗ ΜΕΙΩΣΗ ΤΟΥ ΚΙΝΔΥΝΟΥ ΠΥΡΚΑΓΙΑΣ, ΗΛΕΚΤΡΟΠΛΗΞΙΑΣ Η ΤΡΑΥΜΑΤΙΣΜΟΥ, ΤΗΡΗΣΤΕ ΤΙΣ ΑΚΟΛΟΥΘΕΣ ΟΔΗΓΙΕΣ:**

1. Αυτή η συσκευή δεν προορίζεται για χρήση από άτομα (συμπεριλαμβανομένων των παιδιών) περιορισμένης σωματικής, αισθητηριακής ή λογικής ικανότητας ή στερούμενα της κατάλληλης εμπειρίας και γνώσης, εκτός αν βρίσκονται υπό την επίβλεψη ή έχουν λάβει τις κατάλληλες οδηγίες για τη χρήση της συσκευής από άτομο υπεύθυνο για την ασφάλειά τους.
2. Η μονάδα δεν πρέπει να χρησιμοποιείται για άλλους σκοπούς εκτός από το πλύσιμο και στέγνωμα των χεριών. Η συσκευή πρέπει να χρησιμοποιείται αποκλειστικά και μόνο σύμφωνα με τις προδιαγραφές της Dyson. Αν έχετε ερωτήσεις, επικοινωνήστε με τη γραμμή υποστήριξης της Dyson.
3. Πριν τη συντήρηση, απενεργοποιήστε την παροχή ρεύματος από τον πίνακα συντήρησης. Βεβαιωθείτε ότι ο διακόπτης είναι κλειδωμένος στη θέση του ώστε να μην υπάρχει κίνδυνος ενεργοποίησης της παροχής ρεύματος κατά λάθος. Αν δεν είναι δυνατό να κλειδωθούν τα μέσα απενεργοποίησης της παροχής ρεύματος, θα πρέπει να χρησιμοποιήσετε κατάλληλο και εμφανές προειδοποιητικό μέσο (όπως μια ετικέτα), το οποίο θα πρέπει να στερεωθεί καλά στον πίνακα συντήρησης.

Τα παιδιά πρέπει να επιβλέπονται για να διασφαλιστεί ότι δεν παίζουν με τη συσκευή.

**ΜΗ ΧΡΗΣΙΜΟΠΟΙΕΙΤΕ ΕΞΟΠΛΙΣΜΟ ΚΑΘΑΡΙΣΜΟΥ ΥΠΟ ΠΙΕΣΗ ΓΙΑ ΤΟΝ ΚΑΘΑΡΙΣΜΟ ΤΗΣ ΜΟΝΑΔΑΣ Η ΤΗΣ ΠΕΡΙΟΧΗΣ ΚΟΝΤΑ ΣΤΗΝ ΜΟΝΑΔΑ.**

## ⚠️ ΠΡΟΕΙΔΟΠΟΙΗΣΗ

**ΓΙΑ ΤΗ ΜΕΙΩΣΗ ΤΟΥ ΚΙΝΔΥΝΟΥ ΠΥΡΚΑΓΙΑΣ Η ΗΛΕΚΤΡΟΠΛΗΞΙΑΣ, ΜΗ ΧΡΗΣΙΜΟΠΟΙΕΙΤΕ ΑΥΤΗ ΤΗ ΣΥΣΚΕΥΗ ΜΕ ΟΠΟΙΑΔΗΠΟΤΕ ΣΥΣΚΕΥΗ ΕΛΕΓΧΟΥ ΤΑΧΥΤΗΤΑΣ ΣΤΕΡΕΑΣ ΚΑΤΑΣΤΑΣΗΣ**

**ΟΛΕΣ ΟΙ ΕΡΓΑΣΙΕΣ ΕΓΚΑΤΑΣΤΑΣΗΣ ΚΑΙ ΕΠΙΣΚΕΥΩΝ (ΥΔΡΑΥΛΙΚΟΥ ΚΑΙ ΗΛΕΚΤΡΟΛΟΓΟΥ) ΘΑ ΠΡΕΠΕΙ ΝΑ ΠΡΑΓΜΑΤΟΠΟΙΟΥΝΤΑΙ ΑΠΟ ΕΞΕΙΔΙΚΕΥΜΕΝΟ ΑΤΟΜΟ Η ΑΠΟ ΜΗΧΑΝΙΚΟ ΣΕΡΒΙΣ ΤΗΣ DYSON ΣΥΜΦΩΝΑ ΜΕ ΤΟΥΣ ΙΣΧΥΟΝΤΕΣ ΤΟΠΙΚΟΥΣ ΚΩΔΙΚΕΣ Η ΚΑΝΟΝΙΣΜΟΥΣ.**

## ⚠️ ΠΡΟΣΟΧΗ

Ο στεγνωτήρας χεριών πρέπει να είναι εγκατεστημένος σε εσωτερικό χώρο. Το εύρος θερμοκρασιών του περιβάλλοντος λειτουργίας είναι από 0°C (32°F) έως 40°C (104°F). Για να μειώσετε τον κίνδυνο πυρκαγιάς ή ηλεκτροπληξίας μην εκθέτετε τους εσωτερικούς μηχανισμούς/εξαρτήματα της παρούσας συσκευής σε υγρασία.

## ΕΥΧΑΡΙΣΤΟΥΜΕ ΠΟΥ ΕΠΙΛΕΞΑΤΕ ΤΟ ΣΤΕΓΝΩΤΗΡΑ ΧΕΡΙΩΝ ΜΕ ΒΡΥΣΗ DYSON AIRBLADE WASH+DRY

### ΕΞΥΠΗΡΕΤΗΣΗ ΠΕΛΑΤΩΝ DYSON

Ο στεγνωτήρας χεριών φέρει κάλυψη εγγύησης 5 ετών από την ημερομηνία αγοράς, με την επιφύλαξη των όρων της περιορισμένης εγγύησης. Καταχωρίστε την εγγύησή σας τώρα, στην διεύθυνση [www.dyson.com](http://www.dyson.com). Αν έχετε απορίες σχετικά με το στεγνωτήρα χεριών, επικοινωνήστε με τη γραμμή βοήθειας της Dyson. Πρέπει να έχετε τον αριθμό σειράς της συσκευής, καθώς και λεπτομέρειες σχετικά με το πού και πότε την αγοράσατε.

Σημειώστε εδώ τον αριθμό σειράς για μελλοντική χρήση.

Ο αριθμός σειράς βρίσκεται στην κάτω δεξιά γωνία της ετικέτας χαρακτηριστικών στο πίσω μέρος, σε ένα φύλλο εγγραφής που περιλαμβάνεται στη συσκευασία και, επίσης, στο μεγάλο αυτοκόλλητο πληροφοριών που βρίσκεται γύρω από τη βρύση, κατά την αποσυσκευασία της μονάδας.



Η εικόνα παρουσιάζεται ενδεικτικά.

Στη συσκευασία του στεγνωτήρα χεριών εσωκλείεται ένας λεπτομερής οδηγός εγκατάστασης. Περιέχει αναλυτικές πληροφορίες σχετικά με τη σωστή εγκατάσταση της μονάδας. ΠΡΕΠΕΙ να ακολουθήσετε τις οδηγίες επακριβώς, συμπεριλαμβανομένων των βημάτων για την όδευση των καλωδίων. Τυχόν ζημιά που προκαλείται από εσφαλμένη εγκατάσταση δεν καλύπτεται από την εγγύηση. Συστήνεται η τοποθέτηση φίλτρου γραμμής για την αποτροπή ζημιών που μπορούν να επηρεάσουν την εγγύηση.

GR  
CY

**ΣΗΜΕΙΩΣΗ:** Διασφαλίστε ότι η παροχή νερού έχει καθαριστεί πλήρως από υπολείμματα, ρινίσματα χαλκού, κ.λπ. Πριν τη σύνδεση στο προϊόν. Η μη τήρηση του ανωτέρω ενδέχεται να οδηγήσει σε βλάβη της ηλεκτρομαγνητικής βαλβίδας. Πρέπει να τηρήσετε πιστά τις οδηγίες του εγχειριδίου και του οδηγού εγκατάστασης, καθώς, διαφορετικά, ενδέχεται να προκύψει εσφαλμένη λειτουργία, υλικές ζημιές ή/και τραυματισμοί. Συνιστάται η τοποθέτηση βαλβίδας απομόνωσης σε αυτό το προϊόν κατά τη διάρκεια της εγκατάστασης. Η Dyson δεν θα φέρει ευθύνη για οποιαδήποτε ενδεχόμενη υλική ζημιά ή οποιονδήποτε τραυματισμό, ή απώλεια συναλλαγών ή εσόδων, σε περίπτωση που εσείς, το προσωπικό σας, το άτομο που έκανε την εγκατάσταση ή οι τεχνικοί συντήρησης δεν ακολούθησαν τις οδηγίες που περιλαμβάνονται σε αυτό το εγχειρίδιο και τον οδηγό εγκατάστασης.

## ΦΡΟΝΤΙΔΑ ΤΟΥ ΣΤΕΓΝΩΤΗΡΑ ΧΕΡΙΩΝ

### ⚠️ ΠΡΟΕΙΔΟΠΟΙΗΣΗ

Αυτό το προϊόν δεν πρέπει να χρησιμοποιείται σε νεροχύτες, όπου είναι τοποθετημένο πώμα. Πριν από την ενεργοποίηση της ροής του νερού να βεβαιώνετε ότι η οπή εκκένωσης είναι καθαρή από οποιαδήποτε εμπόδια και ότι το νερό μπορεί να αποστραγγίζεται ελεύθερα.

### ΤΡΟΠΟΣ ΧΡΗΣΗΣ

Τοποθετήστε τα χέρια σας κάτω από το στεγνωτήρα χεριών Dyson και θα δημιουργήσει αυτόματα ρεύματα αέρα για την απομάκρυνση του νερού από τα χέρια σας.

Για ταχύτερα αποτελέσματα στο στέγνωμα:

- Κρατήστε τα χέρια σας επίπεδα και παράλληλα με την επιφάνεια της συσκευής, σε απόσταση περίπου 5 mm από τη λεπίδα, μετακινώντας τα χέρια σας στη ροή αέρα από τους καρπούς μέχρι τις ακρες των δακτύλων.
- Μετακινήστε τα χέρια σας αργά στη ροή αέρα με σταθερή ταχύτητα, για περίπου 2,5 δευτερόλεπτα σε κάθε πλευρά, εναλλάσσοντας μεταξύ της επάνω και κάτω πλευράς κάθε φορά.
- Κρατήστε τα χέρια σας επίπεδα, κλείστε τα κενά μεταξύ των δακτύλων και τους αντίχειρες για να διασφαλίσετε ότι το χέρι σας περνά μέσα από τη ροή αέρα.

## ΟΔΗΓΟΣ ΑΝΤΙΜΕΤΩΠΙΣΗΣ ΠΡΟΒΛΗΜΑΤΩΝ

### ⚠️ ΠΡΟΕΙΔΟΠΟΙΗΣΗ: ΚΙΝΔΥΝΟΣ ΗΛΕΚΤΡΟΠΛΗΞΙΑΣ.

Πρόβλημα	Ενέργεια
Ο στεγνωτήρας χεριών δεν εκκινείται.	Ελέγξτε ότι η ασφάλεια/ο διακόπτης λειτουργούν και ότι η παροχή ηλεκτρικού ρεύματος είναι συνδεδεμένη. Η εγκατάσταση πρέπει να εκτελεστεί από επαγγελματία ηλεκτρολόγο. Βεβαιωθείτε ότι το κάλυμμα καθαρισμού έχει αφαιρεθεί και ότι οι αισθητήρες είναι καθαροί και χωρίς εμπόδια. Εάν διατίθεται ασφαλής μέθοδος μεταγωγής, ενεργοποιήστε και απενεργοποιήστε τη μονάδα. Εάν δεν διατίθεται ασφαλής μέθοδος μεταγωγής, αυτή η εργασία πρέπει να εκτελεστεί από ειδικευμένο ηλεκτρολόγο.
Ο στεγνωτήρας χεριών ενεργοποιείται και απενεργοποιείται σε τυχαία διαστήματα.	Βεβαιωθείτε ότι οι αισθητήρες είναι καθαροί και χωρίς οποιαδήποτε εμπόδια. Βεβαιωθείτε ότι το καλώδιο του αισθητήρα από τη βρύση είναι συνδεδεμένο με ασφάλεια. Η εγκατάσταση πρέπει να εκτελεστεί από επαγγελματία ηλεκτρολόγο.
Ο στεγνωτήρας χεριών μερικές φορές σταματά ξαφνικά όταν είναι σε χρήση, αλλά συνεχίζει τη λειτουργία του μετά από μια χρονική περίοδο.	Ελέγξτε ότι η είσοδος του αέρα είναι καθαρή και χωρίς σκόνη. Απομακρύνετε τη σκόνη από την εισαγωγή αέρα. Βεβαιωθείτε ότι η είσοδος του αέρα είναι ελεύθερη από εμπόδια και έχει επαρκές περιθώριο (βλέπε οδηγίες εγκατάστασης).
Ο χρόνος στεγνώματος του στεγνωτήρα χεριών έχει αυξηθεί.	Επιθεωρήστε την είσοδο για σκόνη και αφαιρέστε την. Επιθεωρήστε το φίλτρο και αλλάξτε το, εφόσον απαιτείται. Βεβαιωθείτε ότι ο σωλήνας είναι στερεωμένος με ασφάλεια στη βάση της βρύσης και ότι δεν υπάρχουν διαρροές. Η εγκατάσταση πρέπει να εκτελεστεί από επαγγελματία ηλεκτρολόγο.
Ο αέρας ρέει συνεχώς από το στεγνωτήρα χεριών.	Βεβαιωθείτε ότι οι αισθητήρες είναι καθαροί και χωρίς οποιαδήποτε εμπόδια.

Δεν εξέρχεται αέρας από το στεγνωτήρα χειρών.	Ελέγξτε ότι η ασφάλεια/ο διακόπτης λειτουργούν και ότι η παροχή ηλεκτρικού ρεύματος είναι συνδεδεμένη. Η εγκατάσταση πρέπει να εκτελεστεί από επαγγελματία ηλεκτρολόγο. Βεβαιωθείτε ότι ο σωλήνας είναι στερεωμένος με ασφάλεια στη βάση της βρύσης και ότι δεν υπάρχουν διαρροές. Η εγκατάσταση πρέπει να εκτελεστεί από επαγγελματία ηλεκτρολόγο. Βεβαιωθείτε ότι το καλώδιο του αισθητήρα από τη βρύση είναι συνδεδεμένο με ασφάλεια. Η εγκατάσταση πρέπει να εκτελεστεί από επαγγελματία ηλεκτρολόγο.
---	---

## ΒΡΥΣΗ

Πρόβλημα	Ενέργεια
Το νερό ρέει συνεχώς από τη βρύση.	Βεβαιωθείτε ότι οι αισθητήρες είναι καθαροί και χωρίς οποιαδήποτε εμπόδια.
Δεν ρέει νερό από τη βρύση.	Βεβαιωθείτε ότι οι παροχές ηλεκτρικού ρεύματος και νερού είναι ενεργοποιημένες και ότι η βαλβίδα απομόνωσης είναι ανοικτή. Η εγκατάσταση πρέπει να εκτελεστεί από επαγγελματία ηλεκτρολόγο. Βεβαιωθείτε ότι ο αεριστήρας είναι χωρίς θραύσματα, αφαιρέστε και καθαρίστε/αντικαταστήστε τον εφόσον είναι απαραίτητο.
Το νερό που προέρχεται από τη βρύση είναι υπερβολικά ζεστό ή κρύο.	Επικοινωνήστε με τη γραμμή βοήθειας της Dyson.

Αν έχετε περαιτέρω απορίες επικοινωνήστε με τη γραμμή βοήθειας της Dyson.

## ΧΡΗΣΗ ΣΕ ΧΩΡΟΥΣ ΠΑΡΑΣΚΕΥΗΣ ΤΡΟΦΙΜΩΝ

Στα περιβάλλοντα προετοιμασίας τροφίμων, απαιτείται ειδική εγκατάσταση, η οποία προβλέπει την πλήρη κάλυψη του κάδου με μοτέρ και του εύκαμπτου σωλήνα με καθαριζόμενο περίβλημα ή την τοποθέτηση του μοτέρ στην αντίθετη πλευρά του τοίχου με επαρκές διάκενο για τον καθαρισμό κάτω από αυτό (εφόσον μπορεί να εφαρμοστεί). Η εν λόγω εγκατάσταση πρέπει να βρίσκεται σε ελάχιστη απόσταση 2,5 μέτρων από απροστάτευτα τρόφιμα ή επιφάνειες επαφής τροφίμων χωρίς κάλυψη.

## ΚΑΘΑΡΙΣΜΟΣ

Ο στεγνωτήρας χειρών πρέπει να καθαρίζεται καθημερινά. Σκουπίστε τους αισθητήρες με ένα μαλακό πανί και μη επιθετικό καθαριστικό και στη συνέχεια τοποθετήστε το κάλυμμα καθαρισμού επάνω από τους αισθητήρες για να αποτρέψετε την ενεργοποίηση του αέρα και του νερού. Καθαρίστε όλες τις επιφάνειες της βρύσης, το νιπτήρα, τον καθρέφτη και τα τοιχώματα ή την επιφάνεια πάγκου. Μόλις ολοκληρώσετε, ΘΥΜΗΘΕΙΤΕ να αφαιρέσετε το κάλυμμα καθαρισμού.

Καθαρίζετε ΤΑΚΤΙΚΑ τις εισόδους αέρα στη βάση του κάδου μοτέρ (κάτω από το νιπτήρα). Διασφαλίστε ότι η οπή αποστράγγισης στο νιπτήρα δεν φέρει εμπόδια ώστε να μην εμποδίζεται η αποστράγγιση του νερού.

## ΣΗΜΑΝΤΙΚΗ ΠΛΗΡΟΦΟΡΙΑ

Μην καθαρίζετε το μηχάνημα με διάταξη καθαρισμού υπό πίεση. Τα καθαριστικά χημικά πρέπει να χρησιμοποιούνται σύμφωνα με τις οδηγίες του αντίστοιχου παρασκευαστή (συμπεριλαμβανόμενης της κατάλληλης αραίωσης). Εάν το χημικό καθαριστικό παραμείνει στο μηχάνημα για μεγάλο χρονικό διάστημα, θα σχηματιστεί λεπτή μεμβράνη. Αυτό μπορεί να μειώσει την αποτελεσματικότητα και να προκαλέσει ζημιά στις αντιμικροβιακές επιφάνειες. Τα χημικά που προορίζονται για χρήση, πρέπει να ελέγχονται πρώτα σε κάποια δυσδιάκριτη περιοχή για να επιβεβαιωθεί η καταλληλότητά τους. Επιδεικνύετε προσοχή ώστε να αποτρέψετε την επαφή επιβλαβών υγρών (με την εξαίρεση των χημικών καθαριστικών) με το προϊόν, ιδιαίτερα ελαίων και προϊόντων με βάση την αλκοόλη.

## ΓΕΝΙΚΕΣ ΟΔΗΓΙΕΣ ΓΙΑ ΤΗ ΧΡΗΣΗ ΝΕΡΟΥ

Αυτός ο στεγνωτήρας χειρών διαθέτει πιστοποίηση IP35. Αν χρησιμοποιηθεί νερό υπό πίεση, υπάρχει κίνδυνος εισχώρησης του νερού στο εσωτερικό του περιβλήματος. Σε περίπτωση ζημιάς που προκαλείται από νερό εξαιτίας εσφαλμένου καθαρισμού, η εγγύηση ακυρώνεται.

## ΑΥΤΟΜΑΤΗ ΕΚΠΛΥΣΗ ΚΥΚΛΟΥ ΛΕΙΤΟΥΡΓΙΑΣ

Η μονάδα είναι εξοπλισμένη με σταθερή αυτόματη έκπλυση νερού, η οποία ενεργοποιείται για 60 δευτερόλεπτα, 24 ώρες μετά την τελευταία χρήση. Αυτό μειώνει το φαινόμενο λιμνάζοντος νερού και την ανάπτυξη βακτηρίων στο προϊόν. Διασφαλίστε ότι η μονάδα εγκαθίσταται πάντα επάνω από λειτουργικό νιπτήρα με ελεύθερη και συνδεδεμένη αποχέτευση.

## ΓΕΝΙΚΕΣ ΟΔΗΓΙΕΣ ΓΙΑ ΤΗΝ ΑΝΤΙΚΑΤΑΣΤΑΣΗ ΤΗΣ ΗΛΕΚΤΡΟΜΑΓΝΗΤΙΚΗΣ ΒΑΛΒΙΔΑΣ

Ενδέχεται να χρειαστεί να αντικαταστήσετε την ηλεκτρομαγνητική βαλβίδα στο στεγνωτήρα χειρών. Αν θεωρείτε ότι αυτό είναι απαραίτητο επικοινωνήστε με τη γραμμή βοήθειας της Dyson. Κατά την αντικατάσταση της ηλεκτρομαγνητικής βαλβίδας, ο στεγνωτήρας χειρών πρέπει να αποσυνδεθεί από την παροχή ηλεκτρικού ρεύματος και νερού. Σε αντίθετη περίπτωση, θα μπορούσε να προκληθεί σοβαρός τραυματισμός και/ή υλικές ζημιές.

## ΣΥΝΤΗΡΗΣΗ ΦΙΛΤΡΟΥ

Ελέγχετε τακτικά την είσοδο αέρα για να διασφαλίσετε ότι είναι χωρίς σκόνη και θραύσματα. Αρκεί να σκουπίσετε την είσοδο με ένα μαλακό πανί για να απομακρύνετε τη σκόνη και τα θραύσματα. Αν η είσοδος αέρα φράξει, ίσως χρειαστεί να καθαρίσετε ξανά το φίλτρο ή να το αλλάξετε. Αν η συσκευή τοποθετηθεί σε περιβάλλοντα εντατικής χρήσης, το κιτ αντικατάστασης φίλτρου Dyson περιλαμβάνει ό,τι είναι απαραίτητο για να αλλάξετε επιτόπου το φίλτρο HEPA. Επικοινωνήστε με τη γραμμή βοήθειας της Dyson για περισσότερες πληροφορίες. Ο καθαρισμός ή η αντικατάσταση του φίλτρου στο στεγνωτήρα χειρών μπορεί να πραγματοποιηθεί ακολουθώντας προσεκτικά τις οδηγίες που περιλαμβάνονται στο κιτ αντικατάστασης φίλτρου. Για οποιαδήποτε απορία, απευθυνθείτε σε επαγγελματία ηλεκτρολόγο ή επικοινωνήστε με τη γραμμή βοήθειας της Dyson για τεχνική υποστήριξη.

## ΣΕΡΒΙΣ

Αν ο στεγνωτήρας χεριών χρειάζεται σέρβις, καλέστε στη γραμμή βοήθειας της Dyson. Μπορείτε επίσης να επισκεφθείτε την ιστοσελίδα [www.dyson.com](http://www.dyson.com).

## ΠΛΗΡΟΦΟΡΙΕΣ ΑΠΟΡΡΙΨΗΣ

Τα προϊόντα της Dyson κατασκευάζονται από υψηλής ποιότητας ανακυκλώσιμα υλικά. Ανακυκλώστε, εάν είναι δυνατό.

## Η ΕΓΓΥΗΣΗ ΣΑΣ

### ΟΡΟΙ ΚΑΙ ΠΡΟΫΠΟΘΕΣΕΙΣ ΙΣΧΥΟΣ ΤΗΣ ΕΓΓΥΗΣΗΣ 5 ΕΤΩΝ ΤΗΣ DYSON

Εάν καταχωρήσατε τη μονάδα σας μέσω Internet, η ημερομηνία έναρξης ισχύος της εγγύησης θα είναι η ημερομηνία αγοράς. Διατηρήστε την απόδειξη αγοράς. Αν δεν έχετε την απόδειξη αγοράς, η εγγύηση τίθεται σε ισχύ 90 ημέρες από την ημερομηνία κατασκευής του προϊόντος, σύμφωνα με τα αρχεία της Dyson.

Στις περιπτώσεις όπου η παρούσα μονάδα πωλείται εντός της ΕΕ, η παρούσα εγγύηση ισχύει μόνο (i) εάν η μονάδα εγκαθίσταται και χρησιμοποιείται στη χώρα στην οποία πωλήθηκε ή (ii) εάν η μονάδα εγκαταστάθηκε στην Αυστρία, το Βέλγιο τη Γαλλία, Γερμανία, Ιρλανδία, Ιταλία, Ολλανδία, Ισπανία ή Ηνωμένο Βασίλειο και το ίδιο μοντέλο με αυτή τη μονάδα πωλείται στην ίδια ονομαστική τάση στη σχετική χώρα. Στις περιπτώσεις όπου η παρούσα μονάδα πωλείται εκτός ΕΕ, η παρούσα εγγύηση ισχύει μόνο εφόσον η μονάδα εγκαθίσταται και χρησιμοποιείται εντός της χώρας στην οποία πωλήθηκε.

## ΤΙ ΚΑΛΥΠΤΕΙ Η ΕΓΓΥΗΣΗ

### ΕΓΓΥΗΣΗ 5 ΕΤΩΝ

Όλα τα εργοστασιακά εξαρτήματα του στεγνωτήρα χεριών συνοδεύονται από εγγύηση διάρκειας 5 ετών, από την έναρξη ισχύος της, έναντι αρχικών ελαττωμάτων, υλικών και κατασκευής, εφόσον χρησιμοποιούνται σύμφωνα με το εγχειρίδιο χρήστη και τον οδηγό εγκατάστασης.

Επικοινωνήστε με τη γραμμή βοήθειας της Dyson για περισσότερες πληροφορίες.

Σε περιπτώσεις ηλεκτρικών βλαβών, η Dyson κατά το διάστημα ισχύος της εγγύησης θα προβεί σε επισκευή χωρίς χρέωση εργασίας.

Η αντικατάσταση του συγκροτήματος κάδου μοτέρ, φίλτρου και ηλεκτρομαγνητικής βαλβίδας δεν καλύπτονται ως προς το κόστος εργασίας. Σε περίπτωση αστοχίας αυτών των εξαρτημάτων, θα παρασχεθούν ανταλλακτικά προς εγκατάσταση από τον πελάτη στην εγκατάστασή του.

Επικοινωνήστε με τη γραμμή βοήθειας της Dyson για περισσότερες πληροφορίες.

Όταν απαιτείται αλλαγή φίλτρου, η Dyson θα παρέχει κιτ αλλαγής φίλτρου για την επί τόπου τοποθέτηση από τον Πελάτη.

- Κάθε εξάρτημα το οποίο επιστρέφεται και αντικαθίσταται από τη Dyson, καθίσταται ιδιοκτησία της Dyson.
- Η επισκευή ή αντικατάσταση της συσκευής που καλύπτεται με εγγύηση δεν παρατείνει την συνολική διάρκεια της εγγύησης.
- Η εγγύηση παρέχει επιπλέον προνόμια που δεν επηρεάζουν τα νομοθετημένα δικαιώματα του καταναλωτή.

## ΤΙ ΔΕΝ ΚΑΛΥΠΤΕΙ Η ΕΓΓΥΗΣΗ

Η Dyson δεν εγγυάται την επισκευή ή αντικατάσταση ενός προϊόντος, όταν το ελάττωμα οφείλεται σε:

- Τυχαιά βλάβη ή φθορά που προκλήθηκε από απρόσεκτη χρήση ή φροντίδα, ακούσιο ή εκούσιο λανθασμένο χειρισμό, αμέλεια, βανδαλισμό, απρόσεκτη λειτουργία ή χειρισμό της συσκευής, που δεν είναι συμβατή με το εγχειρίδιο χρήσης της Dyson.
- Συναρμολόγηση ή εγκατάσταση εξαρτημάτων με τρόπο μη συμβατό με τις οδηγίες της Dyson.
- Χρήση ανταλλακτικών και αξεσουάρ που δεν ανήκουν στα γνήσια εξαρτήματα Dyson.
- Εσφαλμένη εγκατάσταση ή εγκατάσταση που δεν ακολουθεί επακριβώς τις οδηγίες εγκατάστασης που παρασχέθηκαν από την Dyson (εκτός εάν η εγκατάσταση εκτελέστηκε από την Dyson).
- Επισκευές ή τροποποιήσεις που εκτελέστηκαν με τρόπο μη σύμφωνο προς τις οδηγίες της Dyson.
- Ζημιές που προκαλούνται από εξωτερικά αίτια, όπως μεταφορά, καιρικές συνθήκες, διακοπές ρεύματος ή υπερτάσεις.
- Φυσιολογική φθορά από τη χρήση (π.χ. ασφάλεια κ.λπ.)
- Φθορά που οφείλεται σε πρακτικές καθαρισμού που δεν συμμορφώνονται με τις οδηγίες του παρόντος εγχειριδίου: για παράδειγμα, καθαρισμός με χημικά ή προϊόντα, τα οποία αναγράφονται ως επιβλαβή για τη μονάδα.
- Ζημιά που προκαλείται από την εισχώρηση νερού κατά τον καθαρισμό ή τη μεταχείριση της συσκευής με τρόπο που απαγορεύεται σύμφωνα με το παρόν εγχειρίδιο.
- Κάθε ηλεκτρική βλάβη, πλημμυρισμός ή δομική φθορά, ή οποιαδήποτε απώλεια εργασιών ή εσόδων που προκαλείται από αστοχία του προϊόντος. Αν έχετε κάποια απορία σχετικά με την κάλυψη που σας παρέχει η εγγύησή σας, επικοινωνήστε με την Dyson (περισσότερες πληροφορίες στο οπισθόφυλλο).

## ΟΙ ΟΡΟΙ ΚΑΛΥΨΗΣ ΣΥΝΟΠΤΙΚΑ

- Οφείλετε να παράσχετε τεκμηρίωση (και της αρχικής και κάθε επακόλουθης) παράδοσης/αγοράς πριν την εκτέλεση εργασιών στη συσκευή Dyson ή πριν την παροχή ανταλλακτικών. Χωρίς τα ανωτέρω αποδεικτικά, οι εργασίες επισκευής και τα παραδιδόμενα ανταλλακτικά υπόκεινται σε χρέωση. Διατηρήστε την απόδειξη ή το δελτίο αποστολής σας.
- Χωρίς ζημία των ανωτέρω εξαιρέσεων, κάθε εργασία που εκτελείται στα πλαίσια της παρούσας εγγύησης θα εκτελεστεί από τη Dyson ή τους εξουσιοδοτημένους αντιπροσώπους της.

## ΔΙΑΦΥΛΑΞΗ ΠΡΟΣΩΠΙΚΩΝ ΔΕΔΟΜΕΝΩΝ

### ΚΑΤΑ ΤΗΝ ΕΓΓΡΑΦΗ ΤΟΥ ΠΡΟΪΟΝΤΟΣ DYSON:

- Θα χρειαστεί να μας παράσχετε βασικά στοιχεία επικοινωνίας για την εγγραφή του προϊόντος σας και για να μας επιτρέψετε να υποστηρίξουμε την εγγύησή σας.
- Κατά την εγγραφή σας, θα έχετε τη δυνατότητα να επιλέξετε κατά πόσο θα λαμβάνετε μηνύματα επικοινωνίας από εμάς. Εάν επιλέξετε να λαμβάνετε μηνύματα επικοινωνίας από την Dyson, θα λαμβάνετε λεπτομέρειες ειδικών προσφορών και ειδήσεις των τελευταίων καινοτομιών μας. Σε καμία περίπτωση δεν θα προβούμε σε πώληση των πληροφοριών σας σε τρίτα μέρη και θα χρησιμοποιήσουμε τις πληροφορίες που κοινοποιείτε σε εμάς αποκλειστικά σύμφωνα με τα όσα ορίζονται από τις πολιτικές απορρήτου μας, στις οποίες μπορείτε να ανατρέξετε μέσω του ιστότοπού μας [privacy.dyson.com](http://privacy.dyson.com).



# HR

## VAŽNE SIGURNOSNE UPUTE

### PROČITAJTE I SPREMITE OVE UPUTE

**PRIJE INSTALIRANJA ILI UPOTREBE OVOG PROIZVODA PROČITAJTE SVE UPUTE I UPOZORENJA U OVOM PRIRUČNIKU I NAPOMENAMA O INSTALACIJI.**

**DA BISTE SMANJILI RIZIK OD POŽARA, ELEKTRIČNOG UDARA ILI OSOBNIH OZLJEDA, PRIDRŽAVAJTE SE SLJEDEĆIH STAVKI:**

1. Ovaj uređaj nije namijenjen upotrebi od strane osoba sa smanjenim fizičkim, osjetilnim ili sposobnostima rasuđivanja (uključujući i djecu), ili osoba s nedostatkom iskustva ili znanja, osim ako ih osoba zadužena za njihovu sigurnost nadzire ili im je pružila upute koje se odnose na sigurnu upotrebu uređaja.
2. Ne dopustite da se ova jedinica rabi u bilo koje druge svrhe osim pranja i sušenja ruku. Ovu jedinicu koristite isključivo na način koji je predvidjela tvrtka Dyson. Ako imate pitanja, kontaktirajte proizvođača.
3. Prije servisiranja na servisnoj ploči isključite napajanje. Provjerite je li sklopka blokirana kako biste spriječili slučajno uključivanje napajanja. Ako nije moguće zaključati sklopku za isključivanje napajanja, na servisnu ploču dobro pričvrstite vidljivo upozorenje, primjerice oznaku.

Djecu je potrebno nadgledati kako bi se spriječilo njihovo igranje ovim uređajem.

**NE UPOTREBLJAVAJTE OPREMU ZA ČIŠĆENJE MLAZOM NA OVOM PROIZVODU ILI U NJEGOVOJ BLIZINI.**

### **!** UPOZORENJE

**DA BISTE SMANJILI OPASNOST OD POŽARA ILI ELEKTRIČNOG UDARA, NEMOJTE KORISTITI OVAJ UREĐAJ S BILO KAKVIM UREĐAJEM ZA UPRAVLJANJE BRZINOM ČVRSTE VEZE.**

**INSTALACIJU I POPRAVKE (VODIINSTALATERSKE I ELEKTRIČNE) TREBA IZVESTI KVALIFICIRANA OSOBA ILI SERVISNI INŽENJER TVRTKE DYSON U SKLADU S VAŽEĆIM LOKALNIM PRAVILIMA I PROPISIMA.**

### **!** PAŽNJA

Vaše sušilo za ruke mora se postaviti u zatvorenom prostoru. Raspon radne temperature je od 0°C (32°F) do 40°C (104°F). Da biste spriječili rizik od požara ili strujnog udara, ne izlažite vlazi unutarnje mehanizme i komponente ovog uređaja.

## ZAHVALJUJEMO VAM NA KUPNJI SLAVINE DYSON AIRBLADE WASH+DRY SA SUŠILOM ZA RUKU

### KORISNIČKA PODRŠKA TVRTKE DYSON

Vaše sušilo za ruke ima jamstvo od 5 godina od datuma kupnje, prema uvjetima u ograničenom jamstvu.

Registrirajte svoje jamstvo na [www.dyson.com](http://www.dyson.com).

Ako imate bilo kakva pitanja o svojem sušilu za ruke, nazovite korisničku podršku tvrtke Dyson te navedite serijski broj i pojedinosti o mjestu i vremenu kupnje uređaja.

Svoj serijski broj upišite ovdje radi budućih potreba.

Vaš serijski broj nalazi se u donjem desnom kutu stražnje ploče, na registracijskom listu u kutiji i na naljepnici s podacima koja je nalijepljena oko slavine kada je izvadite iz pakiranja.



Ova ilustracija služi isključivo kao primjer.

Sveobuhvatni vodič za ugradnju isporučen je u pakiranju sušila za ruku. On sadrži detaljne informacije o pravilnoj ugradnji aparata i njih se MORATE u potpunosti pridržavati, uključujući upute za postavljanje električnih kabela. Oštećenja prouzrokovana nepravilnom ugradnjom nisu pokrivena jamstvom. Preporučuje se postavljanje ugrađenog filtra kako bi se spriječila oštećenja koja mogu utjecati na jamstvo.

**NAPOMENA:** prije priključivanja na proizvod dovod vode mora biti potpuno ispran od otpada, bakrenih strugotina itd. U protivnom biste mogli oštetiti elektromagnetni ventil.

Upute u ovom priručniku i vodiču za ugradnju moraju se slijediti u potpunosti jer u suprotnom može doći do nepravilnog funkcioniranja, oštećenja imovine i/ili osobne ozljede. Preporučuje se postavljanje izolacijskog ventila tijekom ugradnje ovog proizvoda. Tvrtka Dyson neće se smatrati odgovornom za bilo kakvu štetu na imovini, nastale ozljede ili gubitak poslovanja ili prihoda ako se vi, vaše osoblje ili serviseri niste pridržavali uputa navedenih u ovom priručniku i vodiču za instalaciju.

HR

## ODRŽAVANJE SUŠILA ZA RUKE

### ⚠ UPOZORENJE

Ovaj proizvod ne smije se koristiti u odvodima kod kojih je postavljen čep. Prije uključivanja protoka vode provjerite je li odvodni otvor čist i slobodan, te da voda slobodno otječe.

### UPOTREBA

Stavite ruke ispod središta sušila za ruke Dyson i automatski će se stvarati mlazovi zraka koji će uklanjati vlagu s ruku.

Za najbolje rezultate sušenja:

- Šake držite ravno i paralelno s površinom uređaja, oko 5 mm od oštrice i povlačite ih kroz protok zraka od šaka do vrhova prstiju.
- Polako pomičite ruke kroz mlaz zraka konstantnom brzinom od oko 2,5 sekunde po svakoj strani i svaki put okrenite drugu stranu ruku.
- Držite šake ravno, zatvorite prostor između prstiju i uvucite palce kako biste osigurali da cijela šaka prolazi kroz mlaz zraka.

## VODIČ ZA RJEŠAVANJE PROBLEMA

### ⚠ UPOZORENJE: OPASNOST OD UDARA ELEKTRIČNE STRUJE.

Problem	Radnja
Sušilo za ruke se ne pokreće.	Provjerite je li osigurač ispravan i je li dovod napajanja priključen. Radove mora izvršiti kvalificirani električar. Provjerite je li uklonjen čep za čišćenje i da su senzori čisti i bez zaprječenja. Ako je dostupan siguran način isključivanja, isključite i ponovno uključite jedinicu. Ako nije dostupan siguran način, taj zadatak mora obaviti kvalificirani električar.
Sušilo za ruke se nepravilno uključuje i isključuje.	Provjerite jesu li senzori čisti i bez zaprječenja. Provjerite je li kabel senzora iz slavine dobro pričvršćen. Radove mora izvršiti kvalificirani električar.
Sušilo za ruke ponekad prekida s radom dok se koristi, ali nastavlja nakon nekog vremena.	Provjerite je li uvod zraka čist i bez prašine. Uklonite svu prašinu s ulaza za zrak. Provjerite da nema zaprječenja u uvodu zraka i da ima dovoljno slobodnog prostora (pogledajte upute za instalaciju).

Vrijeme sušenja sušila za ruke je dulje nego prije.	Pregledajte ima li na ulazu prašine i uklonite je. Pregledajte filter i po potrebi promijenite. Osigurajte da crijevo bude sigurno pričvršćeno na postolje slavine i da nema curenja. Radove mora izvršiti kvalificirani električar.
Zrak neprestano izlazi iz sušila za ruke.	Provjerite jesu li senzori čisti i bez zaprječenja.
Iz sušila za ruke ne izlazi zrak.	Provjerite je li osigurač ispravan i je li dovod napajanja priključen. Radove mora izvršiti kvalificirani električar. Provjerite je li crijevo dobro učvršćeno na osnovu slavine i da nema curenja. Radove mora izvršiti kvalificirani električar. Provjerite je li kabel senzora iz slavine dobro pričvršćen. Radove mora izvršiti kvalificirani električar.

## SLAVINA

Problem	Radnja
Voda neprestano izlazi iz slavine.	Provjerite jesu li senzori čisti i bez zaprječenja.
Iz slavine ne izlazi voda.	Provjerite jesu li dovodi napajanja i vode uključeni i je li izolacijski ventil otvoren. Radove mora izvršiti kvalificirani električar. Osigurajte da aerator bude slobodan od otpadaka, prema potrebi uklonite i očistite/zamijenite.
Voda iz slavine je previše vruća ili previše hladna.	Kontaktirajte korisničku podršku tvrtke Dyson.

Ako imate bilo kakva dodatna pitanja, kontaktirajte korisničku podršku tvrtke Dyson.

## UPOTREBA U PODRUČJIMA ZA PRIPREMU HRANE

U područjima za pripremu hrane potrebna je posebna instalacija koja mora potpuno obuhvatiti kućište motora i crijevo u kućištu koje se može čistiti ili postavite kućište motora na suprotnu stranu zida, te osigurajte dovoljnu udaljenost ispod njega (ako je to primjenjivo). Jedinica mora biti udaljena najmanje 2,5 m od nepokrivenih namirnica ili površina koje su u kontaktu s hranom.

## ČIŠĆENJE

Sušilo za ruke mora se svakodnevno čistiti.

Obrišite senzore mekom krpom i neabrazivnim sredstvom za čišćenje, a zatim postavite kapicu za čišćenje na senzore kako biste spriječili aktiviranje zraka i vode.

Očistite sve površine slavine, slivnika, zrcala i zidove ili radne plohe. Nakon završetka NE ZABORAVITE ukloniti kapicu za čišćenje.

REDOVITO ČISTITE ulaze za zrak na dnu kućišta motora (ispod slivnika). Osigurajte da otvor za čep u slivniku ne bude začepljen kako bi se voda mogla slobodno odlijevati.

## VAŽNE INFORMACIJE

Nemojte prati uređaj aparatima za čišćenje pod tlakom.

Sva sredstva za čišćenje treba koristiti strogo prema uputama proizvođača (uključujući i odgovarajuće razrjeđivanje).

Ako se kemikalije za čišćenje predugo ostave na uređaju, na njemu će se stvoriti film.

Time se mogu smanjiti učinkovitost i oštetiti antibakterijske površine.

Sve kemikalije namijenjene za upotrebu najprije se moraju ispitati na neprimjetnim površinama kako bi se potvrdila njihova prikladnost. Pripazite da bilo kakve štetne tekućine, osim kemikalija za čišćenje, ne dođu u kontakt s proizvodom, posebice ulja i proizvodi na bazi alkohola.

## SMJERNICE U VEZI S VODOM

Ovo sušilo za ruke ima IP35 certifikaciju.

Upotreba visokotlačnih perača može izazvati prodiranje vode u kućište.

Oštećenja od vode izazvana nepravilnim čišćenjem poništavaju jamstvo.

## UREĐAJ ZA AUTOMATSKO ISPIRANJE

Jedinica je opremljena fiksnim automatskim uređajem za ispiranje vodom koji se aktivira na 60 sekundi 24 sata nakon posljednje uporabe. To pomaže u sprječavanju stagnacije vode i razvoja bakterija u proizvodu.

Jedinica se uvijek mora montirati iznad funkcionalnog spremnika sa slobodnim i spojenim ispuhom.

## SMJERNICE ZA ZAMJENU ELEKTROMAGNETNOG VENTILA

Možda ćete morati zamijeniti elektromagnetni ventil na sušilu za ruke. Ako mislite da je to u pitanju, kontaktirajte korisničku podršku tvrtke Dyson.

Prilikom zamjene releja, sušilo za ruke mora se odvojiti od električnog napajanja i dovoda vode. U protivnom možete prouzročiti ozbiljne ozljede i/ili oštećenja imovine.

## ODRŽAVANJE FILTRA

Redovno provjeravajte uvod zraka kako biste se uvjerali da u njemu nema prašine i nečistoća. Branje uvodnika mekanom krpom trebalo bi biti dovoljno za uklanjanje prašine i nečistoća. Ako se uvod zraka zapriječi, moglo bi biti potrebno dodatno čišćenje ili promjena filtra.

Ako se koristi u okruženjima s učestalom upotrebom, Dyson komplet za izmjenu filtra pruža sve što vam je potrebno za izmjenu HEPA filtra vašeg uređaja na samoj lokaciji. Više informacija možete dobiti od korisničke službe tvrtke Dyson.

Čišćenje ili zamjena filtra sušila za ruke Dyson može se izvesti pažljivim praćenjem uputa iz kompleta za zamjenu filtra. U slučaju nedoumice potražite savjet kvalificiranog električara ili kontaktirajte korisničku podršku tvrtke Dyson radi pomoći.

## SERVISIRANJE

Ako je vašem sušilu za ruke Dyson potrebno servisiranje, obratite se službi korisničke podrške tvrtke Dyson. Uz posjetite i web-mjesto na adresi [www.dyson.com](http://www.dyson.com).

## INFORMACIJE O ODLAGANJU

Proizvodi tvrtke Dyson izrađeni su od materijala visoke kvalitete koji se mogu reciklirati. Ovaj proizvod odbacite odgovorno i reciklirajte kad je to moguće.

## VAŠE JAMSTVO

### UVJETI I ODREDBE PETOGODIŠNJEG JAMSTVA TVRTKE DYSON

Ako ste svoj proizvod registrirali putem interneta, jamstvo počinje vrijediti od datuma kupnje. Sačuvajte dokaz o kupnji. Ako nemate dokaz o kupnji, jamstvo počinje 90 dana nakon datuma proizvodnje koji je zabilježen u evidenciji tvrtke Dyson.

Kada se ovaj proizvod prodaje u Europskoj uniji, ovo jamstvo vrijedi samo (i) ako se on instalira i koristi u državi u kojoj je prodan ili (ii) ako se instalira i koristi u Austriji, Belgiji, Francuskoj, Njemačkoj, Irskoj, Italiji, Nizozemskoj, Španjolskoj ili Ujedinjenom Kraljevstvu, a u predmetnoj se državi prodaje isti model koji koristi jednaki nominalni napon. Kada se ovaj proizvod prodaje izvan Europske unije, ovo jamstvo vrijedi samo ako se proizvod instalira i koristi u državi u kojoj je prodan.

### ŠTO JE POKRIVENO

#### PETOGODIŠNJIM JAMSTVOM

Svi tvornički dijelovi sušila za ruke imaju jamstvo na originalne nedostatke, materijal i rad uz uvjet da se uređaj koristi uskladu s uputama za korisnike i vodičem za instalaciju u trajanju od 5 godina od početka jamstvenog razdoblja.

Više informacija možete dobiti putem telefonske linije za pomoć tvrtke Dyson.

U slučaju kvara zbog električnih sklopova, tvrtka Dyson će tijekom jamstvenog razdoblja izvesti popravke bez naplate radova.

Zamjene sklopa kućišta motora, filtra i elektromagnetnog ventila nisu pokrivena u smislu rada. Ako se ti dijelovi pokvare, bit će osigurati rezervni dijelovi koje kupac treba zamijeniti na mjestu instalacije.

Više informacija možete dobiti putem telefonske linije za pomoć tvrtke Dyson.

U slučaju da je potrebna zamjena filtra, tvrtka Dyson osigurat će zamjenski komplet filtra koji kupac treba instalirati na mjestu korištenja.

- Svi dijelovi vraćeni tvrtki Dyson radi zamjene postaju vlasništvo tvrtke Dyson.
- Zamjena bilo kojeg dijela vašeg uređaja pod jamstvom neće produljiti trajanje jamstva.
- Jamstvo daje pogodnosti koje su dodatak zakonskim pravima koja imate kao kupac i ne utječu na njih.

### ŠTO NIJE POKRIVENO

Dyson ne jamči popravak ni zamjenu proizvoda ako su uzroci kvara sljedeći:

- Slučajno oštećivanje, neispravnosti izazvane nemarnom upotrebom ili održavanjem, nehota ili namjerna pogrešna upotreba, nemark, vandalizam, neoprezno rukovanje ili upravljanje uređajem koje nije u skladu s priručnikom za rukovanje tvrtke Dyson.
- Korištenja dijelova koji nisu sastavljeni ili postavljeni u skladu s Dysonovim uputama.
- Korištenja dijelova i dodataka koji nisu originalne Dysonove komponente.
- Neispravno postavljanje ili postavljanje koje nije potpuno u skladu s uputama za postavljanje koje isporučuje tvrtka Dyson (osim kada osoblje tvrtke Dyson postavlja proizvod).
- Popravci ili izmjene koji nisu provedeni u skladu s uputama tvrtke Dyson.
- Oštećenja iz vanjskih izvora, poput prijevoza, vremenskih uvjeta, pada napona ili strujnih oscilacija.
- Uobičajeno trošenje materijala uslijed korištenja (npr. osigurači itd.)
- Oštećenje nastalo čišćenjem koje nije u skladu s uputama u ovom priručniku: primjerice čišćenje kemikalijama ili proizvodima koji su opisani kao štetni za uređaj.

- Štete uzrokovane prodorom vode zbog čišćenja ili održavanja koje je ovim uputama zabranjeno.
- Sva oštećenja povezana s električnom energijom i poplavama, strukturalna oštećenja te gubitak poslovanja ili prihoda prouzročen kvarom proizvoda. Ako niste sigurni što je pokriveno jamstvom, obratite se tvrtki Dyson (pojediniosti se nalaze na stražnjem omotu).

## SAŽETAK INFORMACIJA NA KORICAMA

- Morate osigurati dokaz o (originalnoj i svakoj naknadnoj) isporuci/kupnji prije nego što bude moguće izvođenje bilo kakvih radova na uređaju Dyson ili isporuke bilo kakvih zamjenskih dijelova. Bez tih dokaza zaračunat će se svi obavljene radovi i isporučeni dijelovi. Čuvajte potvrdu ili obavijest o isporuci.
- Podložno gornjim izmjenama, sve radove koje treba provesti prema ovom jamstvu provest će tvrtka Dyson ili njezini ovlašteni zastupnici.

## VAŽNE INFORMACIJE O ZAŠTITI PODATAKA

### PRILIKOM REGISTRACIJE PROIZVODA TVRTKE DYSON:

- Morat ćete nam dati osnovne kontaktne informacije za registraciju proizvoda i omogućavanje pružanja podrške u okviru jamstva.
- Nakon registracije imat ćete mogućnost odabrati želite komunicirati s nama. Ako se odlučite za komunikaciju s tvrtkom Dyson, poslat ćemo vam pojediniosti posebne ponude i novosti o najnovijim inovacijama. Mi nikada ne prodajemo informacije trećim stranama i koristimo samo informacije koje ste vi podijelili s nama kao što je definirano na našem web-mjestu [privacy.dyson.com](https://www.dyson.com/privacy)

# HU

## FONTOS BIZTONSÁGI ELŐÍRÁSOK

### OLVASSA EL ÉS ŐRIZZE MEG EZT AZ ÚTMUTATÓT

**A KÉSZÜLÉK ÜZEMBE HELYEZÉSE VAGY HASZNÁLATA ELŐTT OLVASSA EL AZ EBBEN A KÉZIKÖNYVBEN ÉS A TELEPÍTÉSI MEGJEGYZÉSEKben TALÁLHATÓ ELŐÍRÁSOKAT ÉS FIGYELMEZTETŐ JELZÉSEKET.**

**A TŰZ, AZ ÁRAMÜTÉS VAGY A SZEMÉLYI SÉRÜLÉS KOCKÁZATÁNAK CSÖKKENTÉSE ÉRDEKÉBEN TARTSA BE AZ ALÁBBIKAT:**

1. Az egységet nem használhatják olyan személyek (gyermeket is beleértve), akik csökkent fizikai, érzékelési vagy mentális képességekkel rendelkeznek, vagy hiányzik az egység működtetéséhez szükséges tapasztalatuk és tudásuk, kivéve ha a biztonságukért felelős személyek felügyeletet biztosítanak számukra, vagy ellátják őket instrukciókkal.
2. A készüléket kézmosásra és -szárításra szabad csak használni. Más célú használata tilos. A készüléket kizárólag a gyártó által előírt módon használja. Kérdéseivel forduljon a gyártóhoz.
3. Karbantartás előtt kapcsolja ki a szervizpanelen az áramellátást. A véletlen bekapcsolás megakadályozása érdekében reteszelve a kapcsolót. Amennyiben a lekapcsoló eszköz nem reteszeltető, jól látható figyelmeztetésként rögzítsen például egy címkét a szervizpanelhez.

Ügyeljen arra, hogy a gyermekek ne játszanak az egységgel.

**NE HASZNÁLJON NAGYNYOMÁSÚ MOSÓBERENDEZÉST A KÉSZÜLÉK TISZTÍTÁSÁRA VAGY A KÉSZÜLÉK KÖZELÉBEN.**

## ⚠ FIGYELMEZTETÉS

**A TŰZ ÉS ÁRAMÜTÉS KOCKÁZATÁNAK CSÖKKENTÉSE ÉRDEKÉBEN NE HASZNÁLJA A BERENDEZÉST FÉLVEZETŐS SEBESSÉGVÉZÉRLŐ ESZKÖZZEL**

**MINDEN TELEPÍTÉSI ÉS JAVÍTÁSI (VÍZSZERELÉSI ÉS ELEKTROMOS) MUNKÁT SZAKKÉPZETT SZEMÉLYNEK VAGY A DYSON VÁLLALAT KARBANTARTÓ MÉRNÖKÉNEK KELL VÉGREHAJTANIA A HELYI ELŐÍRÁSOK VAGY RENDELKEZÉSEK SZERINT.**

## ⚠ VIGYÁZAT

A kézzárítót épületen belül kell felszerelni. Az üzemi hőmérséklet-tartomány 0–40 °C. A tűz vagy az elektromos áramütés veszélyének csökkentése érdekében ne tegye ki az egység belső szerkezeteit /alkatrészeit nedvességnak.

## KÖSZÖNJÜK, HOGY A DYSON AIRBLADE WASH+DRY MOSDÓ-KÉZSZÁRÍTÓT VÁLASZTOTTA A DYSON ÜGYFÉLSZOLGÁLATA

A kézzárítóra 5 éves támogatást nyújtunk a vásárlás napjától kezdődően, a korlátozott garanciális feltételekben előírtak szerint.

Regisztrálja garanciáját most a következő webcímen: [www.dyson.com](http://www.dyson.com).

Ha kérdése van a kézzárítóval kapcsolatban, hívja a Dyson ügyfélszolgálatát, és adja meg a készülék sorozatszámát, valamint a vásárlás helyét és időpontját.

Jegyezze fel ide a sorozatszámot szükség esetére.

Készüléke sorozatszámát a készülék hátoldalán a jobb alsó sarokban, a dobozban található regisztrációs lapon vagy készülék kicsomagolásakor a csap körül található nagyméretű címkén találja meg.



Ez az illusztráció csak szemléltetési célt szolgál.

A kézzárító csomagjában átfogó szerelési útmutató is található. Az útmutató részletesen leírja a készülék helyes felszerelésének lépéseit, amelyeket pontosan be KELL tartani, beleértve az elektromos kábelek vezetését is. A garancia nem terjed ki a helytelen felszerelésből eredő károkra.

Javasolt szűrő szerelése a vezetékbe, hogy megakadályozza a garanciát befolyásoló esetleges károkat.

**MEGJEGYZÉS:** győződjön meg róla, hogy a vízbetápot teljesen átöblítette, nem található benne törmelék, rézforgács- stb. Ennek elmulasztása esetén károsodhat a mágnesszelep.

A jelen kézikönyv és a szerelési útmutató utasításait pontosan be kell tartani, mert ennek elmulasztása hibás működéshez, anyagi kárhoz vagy személyi sérüléshez vezethet. Az üzembe helyezéskor ajánlott egy leválasztó szelepet felszerelni a termékre. A Dyson nem vonható felelősségre olyan személyi sérülés, anyagi kár, illetve üzleti veszteség vagy bevételkiesés esetén, amelyet Ön vagy az Ön munkatársai, az üzembe helyezést végző szakember vagy karbantartó mérnök a jelen kézikönyv vagy a szerelési útmutató utasításának be nem tartásával idéz elő.

HU

## A KÉZSZÁRÍTÓ KARBANTARTÁSA

### ⚠ FIGYELMEZTETÉS

Ez a termék nem használható olyan mosdókagylók esetén, amelyek dugóval rendelkeznek. A vízáramlás megnyitása előtt biztosítsa, hogy a lefolyónyílást semmi ne zárja el és a víz szabadon lefolyhat.

### HASZNÁLAT

Helyezze kezét a Dyson kézzárító alá, ezzel automatikusan létrehozza az erős levegőáramokat, amelyek lefűjják a vizet a kezéről.

A leggyorsabb kézzárítás érdekében:

- Tartsa az ujjait kinyújtva és párhuzamosan a készülék felületével, kb. 5 mm-re a légáramtól, és húzza át rajta a kezét a csuklójától az ujjhegyekig.
- Mozgassa lassan a kezét a levegőáramban, egyenletes sebességgel, kb. 2,5 másodperc alatt oldalanként, közben váltogatva az első és hátsó oldalakat.
- Tartsa az ujjait kinyújtva és összezárva, és tartsa a hüvelykujját is a többi ujj mellett, hogy az egész kezét érhesse a légáram.

### HIBAEELHÁRÍTÁSI ÚTMUTATÓ

#### ⚠ FIGYELEM! ÁRAMÜTÉS VESZÉLYE!

Probléma	Művelet
A kézzárító nem indul el.	Ellenőrizze, hogy a biztosíték nem olvadt ki, az áramköri megszakító működik, ill. az elektromos betáp és a víz csatlakoztatását. Ezt képzett villanyszerelő végezze. Gondoskodjon arról, hogy a tisztító sapka el legyen távolítva, és hogy az érzékelők tiszták és takarásmentesek legyenek. Ha van lehetőség az egység biztonságos be- és kikapcsolására, akkor végezze el azt. Ha biztonságos mód nem érhető el, akkor bízva a feladatot képzett villanyszerelőre.
A kézzárító kiszámíthatatlan módon kapcsol be és kapcsol ki.	Ellenőrizze, hogy az érzékelők tiszták és semmi nem takarja azokat. Ellenőrizze, hogy a csaptól kiinduló érzékelő kábel szilárdan van csatlakoztatva. Ezt képzett villanyszerelő végezze.
A kézzárító a használat során néha kikapcsol, de egy idő után folytatja a működését.	Ellenőrizze, hogy a légbeszívó nyílás tiszta és pormentes. Távolítsa el a port a légbeszívó nyílásból. Ellenőrizze, hogy a légbeszívó nyílást nem zárja el semmi és megfelelő szabad térrel rendelkezik (lásd a telepítési utasításokat).

A kézzárító szárítási ideje megnövekedett.	Ellenőrizze, hogy a légbeszívó nyílás nem poros, illetve távolítsa el a port. Vizsgálja meg a szűrőt és cserélje ki, ha szükséges. Ellenőrizze, hogy a tömlő szilárdan rögzül a csap alapjához és nem észlelhető szivárgás. Ezt képzett villanyszerelő végezze.
A levegő folyamatosan áramlik a kézzárítóból.	Ellenőrizze, hogy az érzékelők tiszták és semmi nem takarja azokat.
Nem áramlik ki levegő a kézzárítóból.	Ellenőrizze, hogy a biztosíték nem olvadt ki, az áramköri megszakító működik, ill. az elektromos betáp és a víz csatlakoztatását. Ezt képzett villanyszerelő végezze. Ellenőrizze, hogy a tömlő szilárdan rögzül a csap alapjához és nem észlelhető szivárgás. Ezt képzett villanyszerelő végezze. Ellenőrizze, hogy a csaptól kiinduló érzékelő kábel szilárdan van csatlakoztatva. Ezt képzett villanyszerelő végezze.

### CSAP

Probléma	Művelet
A víz folyamatosan folyik a csapból.	Ellenőrizze, hogy az érzékelők tiszták és semmi nem takarja azokat.
Nem folyik víz a csapból.	Ellenőrizze, hogy az elektromos tápellátás és a vízellátás be van kapcsolva és a leválasztó szelep nyitva van. Ezt képzett villanyszerelő végezze. Ellenőrizze, hogy a szellőző mentes a törmelékektől, és távolítsa el a törmelékét és tisztítsa meg / cserélje ki, ha szükséges.
A csapból folyó víz túl meleg vagy túl hideg.	Lépjön kapcsolatba a Dyson ügyfélszolgálatával.

Ha bármilyen egyéb kérdése van, kérjük lépjen kapcsolatba a Dyson ügyfélszolgálatával.

### A KÉSZÜLÉK HASZNÁLATA ÉLELMISZER-ELŐKÉSZÍTŐ HELYSÉGEKBE

Ételkészítési környezetben speciális telepítés szükséges, mivel teljesen körül kell venni a motortartályt és a tömlőt egy tisztítható burkolattal, illetve a motortartálynak a fal túloldalán kell lennie, továbbá elegendő teret kell hagyni az alsó tisztításhoz (ha ez szükséges), és biztosítani kell, hogy az egység legalább 2,5 méterre legyen a fedetlen élelmiszerektől vagy a fedetlen élelmiszerekkel érintkező felületektől.

## TISZTÍTÁS

A kézsárítót naponta kell tisztítani.

Törölje le az érzékelőket puha ruhával és nem csiszoló hatású tisztítószerszel, majd helyezze a tisztítósapkát az érzékelőkre, hogy a levegő és a víz ne kapcsoljon be.

Tisztítsa meg a csap, a mosdókagyló és a tükör felületeit, valamint a falakat és pultot. A tisztítás befejezése után NE FELEJTSE EL levenni a tisztítósapkát.

RENDSZERES IDŐKÖZÖNKÉNT tisztítsa meg a levegőbemeneteket a motorburkolat alaplemezen (a mosdókagyló alatt). Ellenőrizze, hogy a mosdókagyló lefolyónyílását semmi nem zárja el, és hogy így a víz szabadon le tud folyni.

## FONTOS TUDNIVALÓK

Ne használjon nagy nyomású vízugarat.

Minden tisztító vegyszert a gyártó utasításait pontosan betartva kell használni (beleértve a megfelelő hígítást).

Ha a tisztítószert túl hosszú ideig marad a készüléken, filmréteget képez. Ez csökkentheti a hatékonyságot, és károsíthatja az antimikrobiális felületeket.

A használni kívánt vegyszereket első alkalommal a készülék egy kevésbé szem előtt lévő részén kell kipróbálni. A tisztításhoz használt vegyszereken kívül óvni kell a készüléket minden káros hatású folyadéktól, különösen az olajoktól és az alkoholtartalmú anyagoktól.

## VÍZHASZNÁLATRA VONATKOZÓ IRÁNYELVEK

Ez a kézsárítót IP35 tanúsítással rendelkezik.

Magasnyomású mosókészülék használatakor víz juthat a burkolat alá.

A helytelen tisztítás okozta vízkár érvénytelenné teszi a garanciát.

## AUTOMATIKUS ÜZEMI ÖBLÍTÉS

Az egységet nem kikapcsolható automatikus vízöblítéssel látták el, amely 24 órával az utolsó használat után kapcsol be 60 másodpercre. Ez segít csökkenteni a vízpangás és a baktériumok elszaporodásának kockázatát a termékben.

Ügyeljen arra, hogy az egység alatt lévő kagyló mindig használatra kész legyen, átjárható és csatlakoztatott lefolyóval.

## A MÁGNESZELEP CSERÉJÉVEL KAPCSOLATOS IRÁNYELVEK

Szükség lehet a kézsárítót mágnesszelepeinek cseréjére. Ha azt feltételezi, hogy erre van szükség, forduljon a Dyson ügyfélszolgálatához.

A mágnesszelep cseréje esetén a kézsárítót le kell választani az elektromos és a vízhálózatról. Ennek elmulasztása súlyos sérülésekhez vezethet és/vagy anyagi károkat okozhat.

## A SZŰRŐ KARBANTARTÁSA

Rendszeresen ellenőrizze a levegőbevezetőt és gondoskodjon arról, hogy az portól és törmelékektől mentes legyen. A por és a törmelék hatékony eltávolításához törölje le a bevezetőt egy puha törölruhával.

Ha a levegőbemenet eltömődik, alaposabb tisztításra vagy szűrőcserére lehet szükség.

Nagy forgalmú helyeken, szükség esetén a Dyson szűrőcserélő készlet teszi lehetővé a készülék HEPA szűrőjének helyszíni cseréjét. További információért keresse fel a Dyson ügyfélszolgálatát.

A kézsárítót szűrőjének tisztítását és cseréjét a szűrőcserélő készletben megadott utasításokat pontosan követve kell elvégezni. Bármilyen kétség esetén tanácsért forduljon szakképzett villanyszerelőhöz vagy a Dyson ügyfélszolgálatához.

## SZERVIZELÉS

Ha a kézsárítót javításra szorul, forduljon a Dyson ügyfélszolgálatához. Látogasson el a [www.dyson.com](http://www.dyson.com) weboldalra is.

## HULLADÉKKEZELÉSI TUDNIVALÓK

A Dyson termékei nagymértékben újrahasznosítható anyagokból készülnek. Kérjük, készüléke hulladékkezelését körültekintően végezze, és lehetőleg gondoskodjon az újrahasznosításáról.

## AZ ÖN GARANCIÁJA

### A DYSON 5 ÉVES KORLÁTOZOTT GARANCIÁJÁNAK FELTÉTELEI.

A garancia a vásárlás napján lép érvénybe, ha készülékét online regisztrálta. Kérjük, őrizze meg a vásárlást igazoló bizonylatot. Ha nem rendelkezik vásárlást igazoló bizonylattal, a garancia 90 nappal a Dyson által nyilvántartott gyártási idő után lép érvénybe.

Ha a készüléket az EU-n kívül értékesítik, akkor a garancia csak akkor érvényes, ha azt (i) az értékesítés országában telepítik és használják, illetve (ii) azt Ausztriában Belgiumban, Franciaországban, Németországban, Írországon, Olaszországban, Hollandiában vagy az Egyesült Királyságban telepítik és használják, és ha az adott országban ezzel a termékkel azonos feszültségű terméket forgalmazunk. Ha a készüléket az EU-n kívül értékesítik, akkor a garancia csak akkor érvényes, ha azt az értékesítés országában telepítik és használják.

## AMIT FEDEZ

### AZ 5 ÉVES GARANCIA

A kézsárítót valamennyi gyári alkatrészére jótállást biztosítunk, a gyártáskor keletkező anyag- vagy szerelési hibákra, amennyiben a készüléket a garancia megkezdésétől számított 5 évig a kézikönyvben és telepítési útmutatóban előírtaknak megfelelően használják. További információért keresse fel a Dyson ügyfélszolgálatát.

Elektromos meghibásodás esetén a Dyson a garanciális időszak alatt a javítást munkadíj felszámolása nélkül végzi.

A motoregység, a szűrő és a mágnesszelep cseréjének munkadíja nem fedezett. Ha ezek az alkatrészek meghibásodnak, a vevő cserealkatrészeket kap, amelyeket saját telephelyén kell felszerelnie.

További információért keresse fel a Dyson ügyfélszolgálatát.

Ha a szűrőt kell cserélni, akkor a Dyson szűrőcserélő készletet biztosít, amit a vevőnek kell a helyszínen beszereznie.

- Bármely a vállalatnak elküldött és a Dyson által pótolt alkatrész a Dyson tulajdonába kerül.
- A készülék bármely alkatrészének cseréje nem jár a garancia időtartamának meghosszabbításával.
- A garancia plusz szolgáltatásokat jelent és nem befolyásolja a vásárló alapvető törvény adta jogait.

### AMIT NEM FEDEZ

A Dyson által vállalt termékjavítási- vagy cseregarancia nem vonatkozik az alábbi esetekre:

- Baleset következtében történt meghibásodások, gondatlan vagy szándékos rendeltetésellenes használat, felelőtlen, vandál vagy gondatlan használat vagy kezelés és a Dyson használati útmutatóban leírtaknak ellentmondó használat miatt bekövetkezett meghibásodások.

- Olyan alkatrészek használata, amelyek összeszerelése vagy beszerelése nem a Dyson utasításai szerint történt.
- Olyan alkatrészek és kiegészítők használatából adódó károsodások, amelyek nem eredeti Dyson termékek.
- Hibás telepítés vagy a Dyson által mellékelte szerelési utasításokat nem pontosan követő üzembe helyezés (kivéve, ha az üzembe helyezést a Dyson végzi).
- A Dyson utasításaival ellentétes javítások és módosítások.
- Külső körülmények – például szállítás, időjárás, áramkimaradás vagy áramingadozás – okozta kár.
- Normál kopás és elhasználódás (pl. biztosíték- stb.).
- Kézikönyvünk előírásainak meg nem felelő módon végzett tisztítás által okozott kár: például a készülékre ártalmasnak minősített vegyszerekkel vagy egyéb termékekkel végzett tisztítás.
- Vízbeszivárgás okozta kár, amely a jelen kézikönyvben tiltottként feltüntetett tisztítási módszer vagy kezelési mód következménye.
- Bármely elektromos, elárasztással vagy szerkezettel kapcsolatos sérülések; és a termék meghibásodása miatt az üzleti tevékenységgel vagy árbevétellel kapcsolatos veszteségek. Ha bármilyen kétsége merül fel azzal kapcsolatban, hogy mi tartozik a jótállás hatálya alá, forduljon a Dyson vállalathoz (elérhetőségei a hátsó borítón).

## TOVÁBBI TUDNIVALÓK

- Mutassa be (mind az eredeti, mind az esetleges későbbi) kiszállítást/vásárlást igazoló iratot a Dyson készüléken elvégzendő minden munka, illetve alkatrészátadás előtt a szerviz munkatársának. Ennek hiányában az elvégzett munkákért és az alkatrészekért a szerviz munkadíjat számolhat fel. Őrizze meg a bizonylatot vagy szállítólevelet.
- A fenti kivételektől eltekintve minden garanciális javítási munkát a Dyson vagy szerződött partnere fog elvégezni az Ön készülékén.

## FONTOS ADATVÉDELMI INFORMÁCIÓK

### A MEGVÁSÁROLT DYSON-TERMÉK REGISZTRÁLÁSÁKOR:

- Meg kell adnia az alapvető kapcsolattartási adatait, hogy regisztrálhassa a terméket, és lehetővé tegye számunkra a garanciavállalást.
- Regisztráláskor választhat, hogy szeretne-e hírlevelet kapni tőlünk. Ha feliratkozik a Dyson hírleveleire, el fogjuk küldeni Önnek a különleges ajánlatainkkal és a legújabb innovációinkkal kapcsolatos részletes tájékoztatásokat és híreket. Adatait soha nem értékesítjük harmadik feleknek, és az Ön által megadott adatokat kizárólag a webhelyünkön elérhető adatvédelmi szabályzatban foglaltaknak megfelelően használjuk: [privacy.dyson.com](https://www.privacy.dyson.com).



# ID

## PETUNJUK KESELAMATAN PENTING BACA DAN SIMPAN PETUNJUK INI

**SEBELUM MEMASANG ATAU MENGGUNAKAN UNIT INI, BACA SEMUA PETUNJUK DAN TANDA PERINGATAN DI DALAM PANDUAN PEMASANGAN INI DAN BUKU PETUNJUK PEMILIK.**

**UNTUK MEMINIMALKAN RISIKO KEBAKARAN, SENGATAN LISTRIK, ATAU CEDERA BADAN, PERHATIKAN YANG BERIKUT INI:**

1. Unit ini tidak dimaksudkan untuk digunakan oleh orang (termasuk anak-anak) dengan keterbatasan kemampuan fisik, panca indra, atau akal, atau kurang pengalaman dan pengetahuan, kecuali jika mereka telah diberi pengarahan atau petunjuk mengenai cara menggunakan peralatan tersebut oleh bertanggung jawab atas keselamatan mereka.
2. Jangan gunakan unit untuk tujuan selain membasuh dan mengeringkan tangan. Gunakan unit ini hanya dengan cara yang ditunjukkan oleh Dyson. Bila Anda memiliki pertanyaan, hubungi produsen.
3. Sebelum memperbaiki, matikan daya listrik di panel servis. Pastikan sakelar dikunci untuk mencegah daya dihidupkan secara tidak disengaja. Jika sakelar pematian daya tidak dapat dikunci, pasang alat peringatan yang jelas, seperti tag, di panel servis.

Anak-anak harus diawasi agar tidak bermain-main dengan unit ini.

**JANGAN GUNAKAN PERALATAN PENCUCI BERTEKANAN APA PUN UNTUK MELAKUKAN PEMBERSIHAN PADA ATAU DI DEKAT UNIT INI.**

### PERINGATAN

**UNTUK MENGURANGI RISIKO KEBAKARAN ATAU SENGATAN LISTRIK, JANGAN GUNAKAN UNIT INI DENGAN PERANGKAT PENGONTROL KECEPATAN SOLID-STATE APA PUN.**

**SEMUA PEKERJAAN PEMASANGAN DAN PERBAIKAN (PEMIPAAN DAN LISTRIK) HARUS DILAKUKAN OLEH TEKNISI LISTRIK BERKUALIFIKASI ATAU INSINYUR SERVIS DYSON SESUAI DENGAN UNDANG-UNDANG ATAU PERATURAN SETEMPAT YANG BERLAKU.**

### HATI-HATI

Mesin pengering tangan harus diletakkan di dalam ruangan. Suhu lingkungan operasi berkisar 0°C (32°F) hingga 40°C (104°F). Untuk meminimalkan risiko kebakaran atau sengatan listrik, jauhkan mekanisme/komponen internal unit ini dari udara lembap.

## TERIMA KASIH TELAH MEMBELI MESIN PEMBASUH DAN PENGERING TANGAN DYSON AIRBLADE WASH+DRY LAYANAN PELANGGAN DYSON

Mesin pengering tangan Anda bergaransi 5 tahun dari tanggal pembelian, tergantung pada ketentuan garansi terbatas yang berlaku.

Daftarkan garansi Anda sekarang di [www.dyson.com](http://www.dyson.com).

Jika ada pertanyaan tentang pengering tangan Anda, hubungi Saluran Bantuan Dyson dengan memberitahukan nomor seri dan perincian tempat dan waktu pembelian unit.

Catat nomor seri di sini untuk rujukan mendatang.

Nomor seri Anda dapat ditemukan di sudut kanan bawah pelat belakang, pada lembar registrasi di dalam kotak, dan juga pada stiker informasi besar yang dapat ditemukan di sekitar keran ketika unit dibuka kemasannya.



Ilustrasi ini hanya sebagai contoh.

Panduan pemasangan lengkap disertakan dalam kemasan pengering tangan. Panduan berisi informasi terperinci tentang pemasangan unit yang benar, dan HARUS dipatuhi sepenuhnya, termasuk perutean kabel listrik. Kerusakan yang disebabkan oleh pemasangan yang tidak sesuai tidak dilindungi oleh garansi Anda. Pemasangan filter sebaris disarankan untuk mencegah adanya kerusakan yang dapat memengaruhi garansi Anda.

**CATATAN:** Pastikan saluran masuk air benar-benar bersih dari serpihan, kikiran tembaga, dll. sebelum disambungkan dengan produk. Jika tidak dilakukan, katup solenoid bisa rusak.

Petunjuk dalam buku petunjuk ini dan panduan pemasangan harus diikuti sepenuhnya, karena kelalaian untuk melakukannya dapat mengakibatkan pengoperasian yang tidak sesuai dan kerusakan pada properti dan/atau cedera badan. Disarankan agar katup isolasi dipaskan dengan produk ini selama pemasangan. Dyson tidak bertanggung jawab atas kerusakan properti, cedera badan, atau kerugian bisnis atau pendapatan, jika Anda, staf Anda, teknisi pemasangan atau servis Anda tidak mengikuti petunjuk yang diberikan di buku petunjuk ini dan panduan pemasangan.

## MERAWAT MESIN PENGERING TANGAN ANDA

### ⚠ PERINGATAN

Produk ini tidak untuk digunakan di wastafel yang dilengkapi penyumbat. Sebelum menyambungkan aliran air, pastikan bahwa lubang saluran tidak terhalang oleh benda apa pun, dan air dapat dikuras dengan lancar.

### PETUNJUK PENGGUNAAN

Letakkan tangan Anda di bawah pengering tangan Dyson dan alat ini secara otomatis akan mengembuskan udara untuk mengikis air dari tangan Anda.

Untuk hasil waktu pengeringan terbaik:

- Jaga agar tangan tetap rata dan sejajar dengan permukaan alat, kira-kira 5 mm dari bilah, tarik tangan Anda melalui aliran udara dari pergelangan tangan ke ujung jari.
- Gerakkan tangan Anda perlahan melalui aliran udara dengan kecepatan yang konsisten, kira-kira 2,5 detik per sisi, bergantian antara depan dan belakang setiap waktu.
- Jaga agar tangan tetap rata, tutup celah di antara jari-jari Anda dan jaga jempol ke dalam untuk memastikan seluruh tangan Anda ditarik melalui aliran udara.

### PANDUAN PEMECAHAN MASALAH

#### ⚠ PERINGATAN: RISIKO TERSENGAT LISTRIK!

Masalah	Tindakan
Mesin pengering tangan tidak dapat dijalankan.	Periksa apakah sekering/pemutus arus berfungsi dan sumber daya listrik tersambung. Tindakan ini harus dilakukan oleh teknisi listrik yang berkualifikasi. Pastikan tutup pembersih dilepaskan dan sensor dalam keadaan bersih dan tidak terhalang. Jika metode pengaman sakelar tersedia, matikan dan hidupkan unit. Jika metode pengaman sakelar tidak tersedia, matikan tindakan ini harus dilakukan oleh teknisi listrik yang berkualifikasi.
Mesin pengering tangan mati dan hidup secara tiba-tiba.	Pastikan sensor dalam keadaan bersih dan tidak terhalang. Pastikan kabel sensor dari keran terhubung dengan baik. Tindakan ini harus dilakukan oleh teknisi listrik yang berkualifikasi.
Mesin pengering tangan terkadang berhenti saat digunakan, tetapi kemudian beroperasi kembali setelah beberapa saat.	Pastikan saluran masuk udara dalam keadaan bersih dan tidak berdebu. Bersihkan semua debu dari saluran masuk udara. Pastikan saluran masuk udara tidak terhalang dan memiliki jarak yang cukup (lihat petunjuk pemasangan).

Waktu kering pengering tangan semakin lama.	Periksa jika ada debu di kisi-kisi saluran masuk dan hilangkan. Periksa filter dan ganti jika diperlukan. Pastikan selang terpasang dengan kencang padaudukan keran dan tidak ada kebocoran. Tindakan ini harus dilakukan oleh teknisi listrik yang berkualifikasi.
Udara terus keluar dari pengering tangan.	Pastikan sensor dalam keadaan bersih dan tidak terhalang.
Udara tidak keluar dari pengering tangan.	Periksa apakah sekering/pemutus arus berfungsi dan sumber daya listrik tersambung. Tindakan ini harus dilakukan oleh teknisi listrik yang berkualifikasi. Pastikan selang udara terpasang dengan kencang padaudukan keran dan tidak ada kebocoran. Tindakan ini harus dilakukan oleh teknisi listrik yang berkualifikasi. Pastikan kabel sensor dari keran terhubung dengan baik. Tindakan ini harus dilakukan oleh teknisi listrik yang berkualifikasi.

## TAP (KERAN)

Masalah	Tindakan
Air terus keluar dari keran.	Pastikan sensor dalam keadaan bersih dan tidak terhalang.
Tidak ada air yang keluar dari keran.	Pastikan sumber daya listrik dan pasokan air dihidupkan dan katup isolasi dibuka. Tindakan ini harus dilakukan oleh teknisi listrik yang berkualifikasi. Periksa apakah ada serpihan pada aerator, hilangkan dan bersihkan atau ganti bila perlu
Air yang keluar dari keran terlalu panas atau terlalu dingin.	Hubungi Saluran Bantuan Dyson.

Jika Anda memiliki pertanyaan lebih jauh, hubungi Saluran Bantuan Dyson.

## PENGGUNAAN DI AREA PENYIAPAN MAKANAN

Untuk lingkungan persiapan makanan diperlukan pemasangan khusus, yang harus sepenuhnya menutupi kotak motor dan selang di wadah yang dapat dibersihkan atau memiliki kotak motor di sisi balik dinding, sediakan area terbuka yang memadai untuk membersihkan bagian bawah (jika memungkinkan), dan pastikan unit tersebut minimal 2,5 meter dari makanan yang terbuka atau permukaan terbuka yang tersentuh makanan.

## PEMBERSIHAN

Mesin pengering tangan harus dibersihkan setiap hari.

Seka sensor menggunakan kain lembut dan bahan pembersih halus, lalu tempatkan penutup pembersih pada sensor untuk mencegah air dan udara diaktifkan. Bersihkan semua permukaan keran, wastafel, cermin, dan setiap dinding atau bagian atas counter. Setelah selesai INGAT untuk melepaskan tutup pembersihan. Bersihkan saluran masuk udara padaudukan bucket motor (di bawah wastafel) SECARA TERATUR. Pastikan lubang sumbat di wastafel tidak terhalang sehingga air dapat mengalir dengan lancar.

## INFORMASI PENTING

Jangan bersihkan mesin dengan udara bertekanan.  
Semua bahan kimia pembersih harus digunakan secara benar sebagaimana ditunjukkan dalam petunjuk produsen (termasuk pengencer yang sesuai).  
Jika bahan pembersih tertinggal di mesin terlalu lama, lapisan tipis akan terbentuk. Hal ini dapat mengurangi keefektifan dan merusak permukaan antibakteri.  
Bahan kimia apa pun yang ingin digunakan harus diuji terlebih dahulu di area yang tidak mencolok untuk memastikan kesesuaiannya. Selain bahan kimia pembersih, tangani cairan berbahaya secara hati-hati agar tidak mengenai produk.

## PANDUAN AIR

Pengering tangan ini memiliki sertifikasi IP35.  
Penggunaan pencuci tekanan dapat memberi tekanan pada air di dalam casing. Kerusakan air yang disebabkan oleh pembersihan yang tidak sesuai dapat membatalkan garansi.

## PENGGELONTORAN TUGAS OTOMATIS

Unit dilengkapi dengan penggelontoran air otomatis, yang diaktifkan selama 60 detik 24 jam setelah penggunaan terakhir. Ini membantu mengurangi berhentinya air dan berkembangbiaknya bakteri di dalam produk.  
Pastikan unit ini selalu dipasang pada bak fungsional dengan drainase yang bebas dan terhubung.

## PANDUAN PENGGANTIAN SOLENOID

Solenoid pada pengering tangan dapat diganti, bila perlu. Jika Anda menduga ini masalahnya, hubungi Saluran Bantuan Dyson.  
Saat mengganti solenoid, pengering tangan harus diputus dari sumber daya listrik dan pasokan air. Kelalaian untuk melakukan hal ini dapat mengakibatkan cedera badan dan/atau kerusakan harta benda.

## PERAWATAN FILTER

Periksa saluran udara secara teratur agar saluran masuk udara bebas dari debu dan serpihan. Cukup seka saluran masuk dengan kain lembut untuk membersihkan debu dan serpihan.

Jika saluran masuk udara tersumbat, filter mungkin perlu dibersihkan lebih lanjut atau diganti.

Jika diperlukan untuk lingkungan dengan tingkat penggunaan tinggi, kit penggantian filter Dyson menyediakan semua yang diperlukan untuk mengganti unit filter HEPA di tempat.

Hubungi Saluran Bantuan Dyson untuk mendapatkan informasi lebih lanjut.

Pembersihan atau penggantian untuk mesin pengering tangan Anda dapat dilakukan dengan mengikuti secara saksama petunjuk yang diberikan pada kit penggantian filter.

Jika ada keraguan, hubungi teknisi listrik berkualifikasi atau hubungi Saluran Bantuan Dyson untuk mendapatkan bantuan.

## SERVIS

Jika mesin pengering tangan perlu diservis, silakan hubungi Saluran Bantuan Dyson. Juga kunjungi situs web di [www.dyson.com](http://www.dyson.com).

## INFORMASI PEMBUANGAN

Produk-produk Dyson terbuat dari bahan daur ulang kelas tinggi. Sedapat mungkin, lakukanlah daur ulang.

## GARANSI

### SYARAT DAN KETENTUAN GARANSI 5 TAHUN DYSON

Jika Anda telah mendaftarkan unit secara online, garansi akan berlaku mulai dari tanggal pembelian. Simpan bukti pembelian. Jika Anda tidak memiliki bukti pembelian, garansi akan berlaku 90 hari setelah tanggal produksi, sesuai dengan catatan Dyson.

## CAKUPAN GARANSI

### GARANSI 5 TAHUN

Semua suku cadang pabrik untuk pengering tangan Anda dilindungi garansi terhadap cacat material dan pengerjaan asli bila digunakan sesuai dengan buku petunjuk pemilik dan panduan pemasangan selama periode 5 tahun dari tanggal berlaku garansi.

Hubungi Saluran Bantuan Dyson untuk mendapatkan informasi lebih lanjut.

Dalam kasus di mana terjadi kegagalan listrik, Dyson akan, selama masa garansi berlangsung melakukan perbaikan tanpa biaya tenaga kerja.

Penggantian unit bucket motor, saringan dan solenoida tidak tercakup dalam tenaga kerja. Jika bagian ini gagal, bagian pengganti akan disediakan agar dipasang di tempat oleh pelanggan.

Hubungi Saluran Bantuan Dyson untuk mendapatkan informasi lebih lanjut.

Jika penggantian filter diperlukan, Dyson akan memberikan kit penggantian filter untuk dipasang di tempat oleh pelanggan.

- Semua suku cadang yang dikembalikan dan telah diganti oleh Dyson akan menjadi milik Dyson.
- Suku cadang pengganti pada unit yang digaransi tidak menambah periode garansi.
- Garansi memberikan manfaat yang merupakan tambahan dan tidak memengaruhi hak menurut undang-undang yang Anda miliki sebagai konsumen.

## APA SAJA YANG TIDAK TERMASUK DALAM CAKUPAN GARANSI

Dyson tidak menjamin perbaikan atau penggantian produk sebagai akibat:

- Kerusakan yang tidak disengaja, kerusakan yang disebabkan oleh kelalaian dalam penggunaan atau perawatan, kesalahan penggunaan baik yang disengaja maupun tidak disengaja, pengabaian, pengrusakan, pengoperasian atau penanganan unit secara sembrono yang tidak sesuai dengan Petunjuk Penggunaan Dyson.
- Penggunaan suku cadang yang tidak dirakit atau dipasang sesuai petunjuk dari Dyson.
- Penggunaan suku cadang dan aksesori yang bukan komponen asli Dyson.
- Pemasangan yang salah, atau pemasangan yang tidak persis mengikuti petunjuk pemasangan yang disediakan oleh Dyson (kecuali jika dipasang oleh Dyson).
- Perbaikan atau perubahan yang dilakukan selain dari yang sesuai dengan petunjuk oleh Dyson.
- Kerusakan dari sumber luar seperti pemindahan, cuaca, pemadaman listrik, atau lonjakan tegangan.
- Keausan dan robekan yang normal (contoh: sekring)
- Kerusakan yang disebabkan oleh pembersihan yang tidak sesuai dengan petunjuk dalam buku petunjuk ini: misalnya, membersihkan dengan bahan kimia atau produk yang terdaftar merusak unit.
- Kerusakan yang disebabkan oleh rembesan air karena pembersihan atau perlakuan yang dilarang dalam buku petunjuk ini.
- Kerusakan listrik, banjir, atau kerusakan struktural, atau segala kerugian bisnis atau pendapatan akibat dari kegagalan produk. Jika Anda memiliki keraguan mengenai cakupan garansi, silakan hubungi Dyson (keterangan di penutup belakang).

## RINGKASAN CAKUPAN

- Anda wajib memberikan bukti penyerahan/pembelian (baik asli maupun salinannya) sebelum pekerjaan perbaikan dapat dilakukan atas peralatan Dyson Anda atau jika suku cadangnya belum tersedia. Tanpa bukti tersebut, pekerjaan apa pun yang dilakukan akan dikenai biaya. Simpan bukti pembelian dan nota penyerahan Anda.
- Semua pekerjaan akan dilakukan oleh Dyson atau agen resminya.

## INFORMASI PELINDUNGAN DATA PENTING

Saat mendaftarkan Produk Dyson:

- Anda akan diminta memberikan informasi kontak pribadi Anda untuk mendaftarkan produk dan memperoleh dukungan garansi dari kami.
- Setelah mendaftar, Anda punya kesempatan untuk memilih apakah Anda ingin menerima komunikasi dari kami atau tidak. Jika Anda memilih untuk menerima komunikasi dari Dyson, kami akan mengirimkan Anda informasi penawaran istimewa dan kabar inovasi terbaru kami. Kami tidak pernah menjual informasi Anda kepada pihak ketiga dan hanya menggunakan informasi yang Anda berikan kepada kami sesuai ketentuan kebijakan privasi yang dapat dilihat di situs web kami [privacy.dyson.com](http://privacy.dyson.com).

ID

## מידע חשוב בנושא הגנה על נתונים

### בעת רישום מוצר DYSON שברשותך:

- יהיה עליך לספק לנו פרטי קשר בסיסיים כדי לרשום את המוצר שלך ולאפשר לנו לתמוך באחריות שלך.
- כאשר תירשם, תהיה לך הזדמנות לבחור אם ברצונך שניצור איתך קשר. אם תסכים לקבל הודעות מ-Dyson, משלח לך פרטים על הצעות מיוחדות וחדשות לגבי החידושים האחרונים שלנו. לעולם לא נמכור את המידע שלך לצד שלישי, ונשתמש במידע שאתה משתף איתנו רק כפי שהוגדר על-ידי מדיניות הפרטיות שלנו, אשר זמינה באתר האינטרנט שלנו [privacy.dyson.com](https://privacy.dyson.com).

## הנחיות לשטיפה במים

למייבש הידיים הזה יש אישור IP35. שימוש בלחץ מים עלול לגרום לחדירת מים לתוך המארז. זקקי מים הנגרמים בשל ניקוי שגוי יבטלו את האחריות.

## הדחה אוטומטית

היחידה מצוידת בהדחת מים אוטומטית קבועה, הפועלת למשך 60 שניות, 24 שעות לאחר השימוש האחרון בה. פעולה זו מסייעת בצמצום המים העומדים ומונעת שגשוג של חיידקים בתוך המוצר. הקפד להתקין את היחידה תמיד מעל לכיור תקין עם חיבור לניקוז חופשי.

## הנחיות להחלפת סולנואיד

ייתכן שתידרש החלפת הסולנואיד במייבש הידיים שברשותך. אם אתה חושד שיש בכך צורך, פנה אל מוקד התמיכה של Dyson. בעת החלפת הסולנואיד, יש לנתק את מייבש הידיים מאספקת החשמל והמים. אי ניתוקו מחשמל וממים עלול לגרום לפגיעה חמורה ו/או לנזק לרכוש.

## תחזוקת מסנן

בדוק בקביעות את כוונס האוויר כדי לוודא שהינו נקי מאבק ומלכלוך. ניוגוב הכוונס במטלית רכה אמור להספיק להסרת אבק ולכלוך. אם כוונס האוויר נסתם, יש להמשיך בניקוי או להחליף מסנן. אם המכשיר מותקן בסביבות שנועשה בהן שימוש רב, ערכת החלפת מסנן של Dyson מספקת את כל הדרוש להחלפת מסנן HEPA של המכשיר במקום. פנה אל מוקד התמיכה של Dyson לקבלת מידע נוסף. ניתן לבצע ניקוי או החלפה של מסנן למייבש הידיים שברשותך תוך הקפדה על מילוי ההוראות שבערכת החלפת המסנן. במידה של ספק, יש להיוועץ בחשמלאי מוסמך או לפנות אל מוקד התמיכה של Dyson לקבלת תמיכה.

## קבלת שירות

אם נדרש שירות למייבש הידיים, נא לפנות אל מוקד התמיכה של Dyson. בנוסף, בקר באתר [www.dyson.com](http://www.dyson.com).

## מידע אודות השלכה לאשפה

מוצרי Dyson יוצרו מחומרים מובחרים הניתנים למיחזור. מחזור כאשר ניתן.

## האחריות

תנאים והתניות לאחריות יצרן של Dyson למשך 5 שנים  
אם רשמת את המכשיר שלך באופן מקוון, האחריות תתחיל מתאריך הרכישה. שמור את הוכחת הרכישה. אם אין בידך הוכחה לרכישה, האחריות שלך תחל 90 יום לאחר תאריך הייצור, בהתאם לתיעוד של חברת Dyson כאשר יחידה זו נמכרת מחוץ למדינות האיחוד האירופי, אחריות זו תקפה רק אם היחידה מותקנת ונעשה בה שימוש במדינה שבה היא נמכרת.  
כאשר יחידה זו נמכרת במדינות האיחוד האירופי, אחריות זו תקפה רק (א) אם היחידה מותקנת ונעשה בה שימוש במדינה שבה היא נמכרת, או (ב) אם היחידה מותקנת ונעשה בה שימוש אוסטרליה, בלגיה, צרפת, גרמניה, אירלנד, איטליה, הולנד, ספרד או בריטניה ואם הדגם הזהה ליחידה נמכר באותו דירוג מתח במדינה הרלוונטית.

## האחריות כוללת

### 5 שנות אחריות

האחריות מכסה פגמים בייצור של כל החלקים של מייבש הידיים וכן גם חומרים ועבודה לתקופה של 5 שנים מתחילת האחריות, כאשר משתמשים במכשיר בהתאם למדריך השימוש וההתקנה. לקבלת מידע נוסף, פנה אל מוקד התמיכה של Dyson. במקרים של כשל בפעולה החשמלית, Dyson תבצע את התיקון ללא חיוב עבור עבודה במהלך תקופת האחריות. החלפת מכלול תושבת המנוע, המסנן והסולנואיד אינה נכללת במסגרת העבודה. אם חלקים אלה מתקלקלים, יסופקו חלקי חילוף להתקנה באתר על-ידי הלקוח. לקבלת מידע נוסף, פנה אל מוקד התמיכה של Dyson. אם יש צורך להחליף את המסנן, Dyson תספק ערכה להחלפת מסנן, שבעזרתה יותקן המסנן באתר על ידי הלקוח.

- חלקים שיוחזרו או יוחלפו על ידי חברת nosyD ייפכו לרכושה של חברת Dyson.
- החלפה של כל חלק מהיחידה במסגרת האחריות לא תאריך את תקופת האחריות.
- האחריות מספקת יתרונות נוספים ואינה משפיעה על זכויות המעוגנות בחוק המגיעות לך כצרכן.

## האחריות אינה כוללת

Dyson אינה אחראית לתיקון או להחלפה של מוצר כאשר הפגם נובע מ:

- נזק מקרי, תקלות כתוצאה משימוש או טיפול רשלניים, שימוש בלתי הולם בכוונה או שלא בכוונה, הזנחה, ונדלזים, הפעלה רשלנית של המכשיר או טיפול רשלני בו שלא בהתאם למדריך ההפעלה של Dyson.
- שימוש בחלקים שלא הורכבו או הותקנו בהתאם להוראות של חברת Dyson.
- התקנה לקויה או התקנה שאינה תואמת במדויק להוראות ההתקנה שסופקו על ידי Dyson (למעט במקרים שהותקנו על ידי Dyson).
- תיקונים או שינויים שבוצעו שלא בהתאם להוראות שנתנה Dyson.
- נזק ממקורות חיצוניים כגון העברת המכשיר, מזג האוויר, הפסקות חשמל או תנודות מתח.
- בלאי סביר (כגון נתיך וכדומה).
- נזק שנגרם על-ידי ניקוי שאינו בהתאם להוראות במדריך זה: לדוגמה, ניקוי באמצעות חומרים כימיים או מוצרים שמצוינים כמזיקים ליחידה.
- מכניסת מים הנגרם בשל ניקוי או טיפול האסורים במדריך זה.
- נזקים חשמליים, הצפות או נזקים מבניים, או אובדן ימי עסקים או הכנסה כלשהי שהינם תוצאה של כשל במוצר. פנה ל-Dyson (פרטים על-גבי הכריכה האחורית).

## סיכום האחריות

- יש להציג הוכחה של משלוח/קנייה (הן הקנייה המקורית והן קניות אביזרים בהמשך) לפני שניתן יהיה לבצע כל עבודה שהיא על מכשיר Dyson שלך או לפני שיוספקו חלקי חילוף. ללא הצגת הוכחה כזו, יהיה צורך בתשלום עבור כל עבודה שתיעשה וכל חלק שיוספק. יש לשמור את הקבלה או את תעודת המשלוח.
- למעט המקרים החריגים המתוארים לעיל, כל העבודות המכוסות במסגרת אחריות זו יבוצעו על-ידי חברת Dyson או הסוכנים המורשים שלה.

## תחזוקה של מייבש הידיים

### ⚠ אזהרה

אין להשתמש במוצר זה בכיורים שמותאם להם פקק. לפני הזרמת מים, יש לוודא שהכיוור נקי מחסימות והמים יכולים להתנקז בחופשיות.

### אופן השימוש

מקם את ידך מתחת למייבש הידיים של Dyson והוא יתחיל לפעול אוטומטית, תוך יצירת גלי אוויר שיסלקו את המים מידיך.

לזמן הייבוש הטוב ביותר:

- השאר את ידך אנכיות ומקבילות למשטח המכשיר, במרחק של כ-5 מ"מ מהלהב, תוך הזזת הידיים דרך זרימת האוויר מפרקי כף היד ועד קצות האצבעות.
- הזז את ידך לאט דרך זרימת האוויר תוך שמירה על מהירות עקבית, כ-2.5 שניות לכל צד, והחלף בין הצד הקדמי לגב כף היד בכל פעם.
- השאר את ידך אנכיות, סגור את המרווחים בין האצבעות והכנס את האגודלים כדי לוודא שכל ידך עוברת דרך זרימת האוויר.

### מדריך פתרון בעיות

### ⚠ אזהרה: סכנת התחשמלות!

בעיה	פעולה
מייבש הידיים אינו פועל.	בדוק את פעולתו של הנתב/המפסק האוטומטי ואת החיבורים לחשמל ולמים. לביצוע על-ידי חשמלאי מוסמך בלבד. ודא שהסרת את כיסוי הניקוי והחיישנים נקיים ואינם חסומים. אם קיימת שיטה להפעלה בטוחה, הפעל וכבה את היחידה. אם לא קיימת שיטה להפעלה בטוחה, פעולה זו צריכה להתבצע על-ידי חשמלאי מוסמך בלבד.
מייבש הידיים נדלק ונכבה באופן לא סדיר.	ודא שהחיישנים נקיים ואינם חסומים. בדוק שכבל החיישנים מהברז מחובר כראוי. לביצוע על-ידי חשמלאי מוסמך בלבד.
מייבש הידיים מפסיק לעיתים את פעולתו בזמן השימוש אך מתחיל מחדש לאחר זמן מה.	בדוק שכונס האוויר נקי וחופשי מאבק. הסר אבק מכונס האוויר. ודא שכונס האוויר אינו חסום ויש לו מרווח מספיק (ראה הוראות התקנה).
זמן הייבוש של מייבש הידיים נהיה ארוך יותר.	בדוק הימצאות אבק בכונס האוויר והסר אותו. בדוק את המסנן והחלף במידת הצורך. ודא שהצניור מחובר כראוי לבסיס הברז ואין נזילות. לביצוע על-ידי חשמלאי מוסמך בלבד.
אוויר יוצא בצורה רציפה לאורך פרקי זמן ארוכים.	ודא שהחיישנים נקיים ואינם חסומים.

לא יוצא אוויר ממייבש הידיים.	בדוק את פעולתו של הנתב/המפסק האוטומטי ואת החיבורים לחשמל ולמים. לביצוע על-ידי חשמלאי מוסמך בלבד. ודא שצניור האוויר מחובר כראוי לבסיס הברז ואין נזילות. לביצוע על-ידי חשמלאי מוסמך בלבד. בדוק שכבל החיישנים מהברז מחובר כראוי. לביצוע על-ידי חשמלאי מוסמך בלבד.
------------------------------	--

### ברז

בעיה	פעולה
מים זורמים מהברז ללא הרף.	ודא שהחיישנים נקיים ואינם חסומים.
אין זרימת מים מהברז.	ודא שאספקות המים והחשמל מחוברות ושסתום הבידוד פתוח. לביצוע על-ידי חשמלאי מוסמך בלבד. ודא שהפילטר נקי מלכלוך, הסר ונקה/החלף אותו במידת הצורך.
המים שמגיעים מהברז חמים מידי או קרים מידי.	פנה אל מוקד התמיכה של Dyson.

בשאלות נוספות תוכל לפנות אל מוקד התמיכה של Dyson.

### שימוש באזורים המיועדים להכנת מזון

בסביבות המיועדות להכנת מזון נדרשת התקנה מיוחדת, שבה יש לכסות את תושבת המנוע והצניור בשלמותם בתוך מארז שניתן לניקוי או למקם את תושבת המנוע בצד השני של הקיר, לספק מקום מספיק לניקוי מתחתיה (אם רלוונטי) ולוודא שהיחידה נמצאת במרחק של 2.5 מ' לפחות ממזון לא מכוסה או ממשטחים לא מכוסים שבאים במגע עם מזון.

### ניקוי

יש לנקות את מייבש הידיים יומיומ.

נגב את החיישנים עם מטלית רכה וחומר ניקוי לא שוחק, ולאחר מכן הנח מכסה ניקוי על החיישנים כדי למנוע הפעלה של האוויר והמים.

נקה את כל משטחי הברז, הכיור, המראה ואת כל הקירות או הדלפקים. לאחר שתסיים, זכור להסיר את מכסה הניקוי.

נקה באופן קבוע את כונסי האוויר שבבסיס תושבת המנוע (מתחת לכיור). ודא שחור הניקוח בכיור נקי מחסימות ושהמים מתנקזים בחופשיות.

### מידע חשוב

אין לשטוף במים בלחץ גבוה את המכשיר.

יש להשתמש בכל הכימיקלים לניקוי בדיוק כפי שמצוין בהוראות היצרן (לרבות דילול מתאים).

אם משאירים חומר כימי לניקוי על המכשיר למשך זמן רב מדי, ייווצר ציפוי דק שלו. הדבר עלול להפחית את יעילות המשטחים נוגדי החיידקים.

יש לנסות תחילה כל חומר ניקוי כימי, שבו מתכוונים להשתמש, באזור לא בולט, כדי לוודא את התאמתו. יש לדאוג ולמנוע מגע של נוזלים מזיקים (מלבד חומרי ניקוי כימיים) במוצר, ובמיוחד שמנים ומוצרים המבוססים על אלכוהול.



## הוראות בטיחות חשובות

### קרא ושמור הוראות אלה

**לפני התקנת היחידה או שימוש בה, יש לקרוא את כל ההוראות וסימוני האזהרה שבמדריך למשתמש זה ובהערות להתקנה.**

- כדי לצמצם את הסיכון לשריפה, להתחשמלות או לפגיעה בבני אדם, יש לציית להוראות אלה:**
1. יחידה זו אינה מיועדת לשימוש בני אדם (לרבות ילדים) בעלי יכולות גופניות, תחושתיות או חשיבתיות מופחתות, או חסרי ניסיון וידע, אלא אם כן הם נתונים תחת השגחה או ניתנה להם הדרכה לגבי השימוש ביחידה על ידי האדם האחראי לבטיחותם.
  2. אין לאפשר שימוש במכשיר למטרה אחרת כלשהי למעט שטיפת ידיים וייבוש ידיים. יש להשתמש במכשיר זה רק באופן שאליו התכוון היצרן. אם מתעוררות אצלך שאלות, פנה למוקד התמיכה של היצרן.
  3. לפני ביצוע פעולות שירות, יש לכבות את המכשיר בלוח השירות. יש לוודא שהמתג נעול כדי למנוע הדלקה של היחידה בטעות. אם לא ניתן לנעול את האמצעי לכיבוי היחידה, יש להצמיד היטב התקן אזהרה בולט, כגון תגית, ללוח השירות.
- יש להשגיח על הילדים כדי לוודא שאינם משחקים במכשיר.
- אין להשתמש בציוד לשיפה באמצעות לחץ מים לצורך ניקוי היחידה או סביבותיה.**

### ⚠ אזהרה

**כדי לצמצם את הסיכון לשריפה או להתחשמלות, אין להשתמש ביחידה זו כאשר התקן הבקרה פועל**

**כל עבודות ההתקנה והתיקונים (צנרת וחשמל) צריכות להתבצע על ידי חשמלאי מוסמך או על ידי טכנאי שירות של חברת DYSON ובהתאם לקודים ולתקנות המקומיים העדכניים.**

### ⚠ אזהרה

**יש למקם את מייבש הידיים שברשותך בתוך מבנה סגור. טווח טמפרטורת סביבת הפעלה הוא 0°C (32°F) עד 40°C (104°F). לצמצום סכנת שריפה או התחשמלות, אין לחשוף ללחות את המנגנונים/הרכיבים הפנימיים של מכשיר זה.**

## תודה על שבחרת לקנות את מייבש הידיים DYSON AIRBLADE WASH+DRY שירות הלקוחות של DYSON

מייבש הידיים שברשותך כולל 5 שנות אחריות מתאריך הרכישה, בכפוף לתנאי האחריות המוגבלת. הירשם כעת לקבלת אחריות באתר: [www.dyson.co.il](http://www.dyson.co.il). אם יש לך שאלה הנוגעת למייבש הידיים שברשותך, פנה למוקד של Dyson כשבידך המספר הסידורי של היחידה ופרטי המקום והמועד שבהם רכשת את היחידה.

רשום את המספר הסידורי של המכשיר כאן, לשימוש עתידי:

ניתן לאתר את המספר הסידורי של המכשיר בפניה הימנית התחתונה על גבי הלוח האחורי, בגליון הרישום הנמצא באריזה, או על גבי מדבקת המידע הגדולה הנמצאת סביב הברז בעת הוצאת היחידה מהאריזה.



איור זה נועד למטרות הדגמה בלבד.

מדריך התקנה מקיף מצורף לאריזה של מייבש הידיים. מדריך זה מכיל מידע מפורט על אופן ההתקנה הנכון של המכשיר, וחובה לפעול לפיו באופן מלא, לרבות הניתוב של כבלי החשמל. נזק שייגרם בשל התקנה שגויה, לא יכוסה במסגרת האחריות. מומלץ שיהיה פתח איוורור ייעודי, כדי למנוע נזק שעלול לפגוע באחריות שלך. הערה: ודא שהזנת המים נקייה מפסולת, שבבי נחושת וכדומה לפני החיבור למוצר. אי ביצוע פעולה זו יגרום נזק לשסתום הסולנואיד.

יש לפעול באופן מלא בהתאם להוראות שבמדריך זה ובמדריך ההתקנה. אי-מילוי ההוראות עלול לגרום להפעלה שגויה, לנזק לרכוש ו/או לפגיעה. במועד ההתקנה, מומלץ להתאים למוצר זה שסתום בידוד. Dyson לא תישא באחריות במקרה של נזק כלשהו לרכוש, במקרה של פגיעה, בגין אובדן עסקים או הכנסות כלשהם, אם אתה, הצוות שלך, המתקין או מהנדסי השירות לא פעלתם בהתאם להוראות המפורטות במדריך זה ובמדריך ההתקנה.



# IS

## MIKILVÆGAR ÖRYGGISLEIÐBEININGAR

### LESIÐ OG GEYMIÐ ÞESSAR LEIÐBEININGAR

**LESIÐ ALLAR LEIÐBEININGAR OG VARÚÐARMERKINGAR Í ÞESSUM  
UPPSETNINGARLEIÐBEININGUM OG Í EIGANDAHANDBÓKINNI ÁÐUR EN  
TÆKIÐ ER SETT UPP OG NOTAÐ.**

**FYLGIÐ EFTIRFARANDI VARÚÐARRÁÐSTÖFUNUM TIL AÐ DRAGA ÚR  
ELDHÆTTU, HÆTTU Á RAFLOSTI EÐA MEIÐSLUM:**

1. Þetta tæki er ekki ætlað til notkunar af fólki (þ.m.t. börnum) með skerta líkamlega eða andlega getu eða sem skortir reynslu eða þekkingu til að nota tækið, nema það fái aðstoð eða handleiðslu um notkun tækisins frá aðila sem ber ábyrgð á öryggi þess.
2. Tækið má ekki nota í neinum öðrum tilgangi en að þvo og þurrka hendur. Einungis má nota tækið á þann hátt sem Dyson ætlast til. Ef spurningar vakna skal hafa samband við þjónustuver Dyson.
3. Slökkva skal á handþurrkunni á þjónustuspjaldinu áður en hún er þriffin. Læsa skal rofanum til að koma í veg fyrir að rafmagni sé hleypt óvart á. Ef ekki er hægt að læsa rofanum skal festa greinilegan viðvörarmiða við þjónustuspjaldið.

Þess skal gætt að börn leiki sér ekki að tækinu.

**NOTIÐ EKKI ÞRÝSTIHREINSUNARBÚNAÐ TIL AÐ ÞRÍFA TÆKIÐ EÐA  
NÁLÆG SVÆÐI.**

### ⚠ VIÐVÖRUN

**TIL AÐ DRAGA ÚR HÆTTU Á ELDSVOÐA EÐA RAFLOSTI SKAL EKKI NOTA ÞETTA  
TÆKI MEÐ HRAÐASTÝRINGARTÆKI ÁN HREYFANLEGRA HLUTA**

**VIÐURKENNDIR FAGAÐILAR EÐA VIÐGERÐARFAGMENN FRÁ DYSON ÆTTU  
AÐ FRAMKVÆMA ALLA VINNU VIÐ UPPSETNINGU OG VIÐGERÐIR (PÍPU- OG  
RAFLAGNIR) Í SAMRÆMI VIÐ VIÐEIGANDI REGLUR OG REGLUGERÐIR.**

### ⚠ VIÐVÖRUN

Handþurrkan er ætluð til notkunar innandyrna. Umhverfishiti við notkun skal vera á bilinu 0 °C (32 °F) til 40 °C (104 °F). Til að draga úr hættu á eldsvoða og raflosti skal gæta þess að láta innri vélbúnað og íhluti ekki komast í snertingu við raka.

## TAKK FYRIR AÐ VELJA DYSON AIRBLADE WASH+DRY-KRANA MEÐ HANDÞURRKA

### ÞJÓNUSTA VIÐ VIÐSKIPTAVINI DYSON

Handþurrkunni fylgir takmörkuð ábyrgð sem gildir í 5 ár frá kaupdegi og er háð skilmálum ábyrgðarinnar.

Skráið ábyrgðina núna á [www.dyson.com](http://www.dyson.com).

Ef einhverjar spurningar vakna um handþurrkuna skal hringja í þjónustuver Dyson og gefa upp raðnúmer hennar og upplýsingar um hvar og hvenær hún var keypt.

Skráið raðnúmerið hér til síðari nota.

Raðnúmerið er að finna neðst hægra megin á undirstöðuplötunni, á skráningarblaði í kassanum og einnig á stórum upplýsingamiða sem er á krananum þegar tækið er tekið úr umbúðunum.



Þessi mynd er einungis til upplýsingar.

Ítarlegar uppsetningarleiðbeiningar fylgja með í umbúðum handþurrkunnar.

Í leiðbeiningunum er að finna ítarlegar upplýsingar um rétta uppsetningu tækisins. Þeim VERÐUR að fylgja í hvívetna, m.a. um lögn á rafmagnsköplum.

Ábyrgðin tekur ekki til skemmda sem rekja má til rangrar uppsetningar.

Mælt er með að setja síu í vatnslögnina til að koma í veg fyrir skemmdir sem gætu haft áhrif á ábyrgðina.

ATHUGIÐ: Gangið úr skugga um að óhreinindi, koparflísar o.s.frv. hafi að fullu verið hreinsað úr vatnslögninni áður en hún er tengd við vöruna. Ef það er ekki gert getur segullíðalokinn skemmt.

Fylgja verður leiðbeiningunum í þessari handbók og í uppsetningarleiðbeiningunum í hvívetna. Ef það er ekki gert getur það leitt til rangrar virkni, eignaskemmda og/eða meiðsla á fólki. Mælt er með því að einangrunarloki sé settur upp með vörunni við uppsetningu. Dyson ber ekki ábyrgð á neinum eignaskemmdum eða meiðslum á fólki eða nokkru rekstrar- eða tekjutapi ef þú, starfsfólk þitt, uppsetningaraðilinn eða þjónustuaðilar hafið ekki fylgt leiðbeiningunum í þessari handbók og í uppsetningarleiðbeiningunum.

## MEÐHÖNDLUN HANDÞURRKUNNAR

### ⚠ VIÐVÖRUN

Ekki skal nota þessa vöru í vaski með tappa. Áður en vatnsflæðið er sett af stað skal tryggja að engin fyrirstaða sé í niðurfallinu og að afrennsli vatns sé hindrunarlaust.

### NOTKUN

Setjið hendurnar undir miðjan kranann. Þá streymir vatn sjálfkrafa úr krananum, eins lengi og höndunum er haldið þar.

Fljótleg og góð þurrkun:

- Setjið hendurnar hvora sínum megin við miðkranann til að kveikja á handþurrkunni og þá myndast lofttungur sem skafa vatnið af höndunum.
- Færið hendurnar hægt fram og aftur í gegnum loftstrauminn og snúið þeim til að þurrka bæði lófa og handarbak.
- Hafið hendurnar flatar, leggið fingurna og þumlauna þétt saman til að tryggja að allur handarflöturinn fari í gegnum loftstrauminn.

## LEIÐBEININGAR UM BILANAGREININGU

### ⚠ VIÐVÖRUN: HÆTTA Á RAFLOSTI.

Vandamál	Aðgerð
Handþurrkan fer ekki í gang.	Athugið hvort öryggi/útsláttarrofi virkar og gætið þess að rafstraumur og vatnsinntak sé tengt. Viðurkenndur rafvirki verður að gera þetta. Gætið þess að hreinsunarhettan sé ekki á og að skynjararnir séu hreinir og án fyrirstöðu. Ef örugg rofastilling er tiltæk skal kveikja og slökkva á tækinu. Ef öruggur rofi er ekki tiltækur verður viðurkenndur rafvirki að sinna þessu verki.
Handþurrkan kveikir og slekkur óreglulega á sér.	Gætið þess að skynjararnir séu hreinir og lausir við hindranir. Gætið þess að skynjaraleiðslan frá krananum sé tryggilega tengd. Viðurkenndur rafvirki verður að gera þetta.
Handþurrkan slekkur stundum á sér þegar hún er í notkun en fer svo aftur í gang skömmu síðar.	Gætið þess að loftinntakið sé hreint og laust við ryk. Fjarlægjið ryk af loftinntakinu. Gætið þess að engar hindranir séu fyrir loftinntakinu og að fríbil þess sé nægilegt (sjá leiðbeiningar um uppsetningu).

Handþurrkan er lengur að þurrka en áður.	Athugið hvort ryk er á inntakinu og fjarlægjið það. Skoðið síuna og skiptið um síu ef þörf krefur. Gætið þess að slangan sé tryggilega fest við neðri hluta kranans og að hvergi finnist leki. Viðurkenndur rafvirki verður að gera þetta.
Loft streymir stöðugt úr handþurrkunni.	Gætið þess að skynjararnir séu hreinir og lausir við hindranir.
Ekkert loft kemur úr handþurrkunni.	Athugið hvort öryggi/útsláttarrofi virkar og gætið þess að rafstraumur og vatnsinntak sé tengt. Viðurkenndur rafvirki verður að gera þetta. Gætið þess að loftslangan sé tryggilega fest við neðri hluta kranans og að hvergi finnist leki. Viðurkenndur rafvirki verður að gera þetta. Gætið þess að skynjaraleiðslan frá krananum sé tryggilega tengd. Viðurkenndur rafvirki verður að gera þetta.

## KRANI

Vandamál	Aðgerð
Vatn rennur stöðugt úr krananum.	Gætið þess að skynjararnir séu hreinir og lausir við hindranir.
Ekkert vatn kemur úr krananum.	Gætið þess að kveikt sé á raf- og vatnsstraumi og að einangrunarlokinn sé opinn. Viðurkenndur rafvirki verður að gera þetta. Gætið þess að sigtið í krananum sé laust við óhreinindi; fjarlægjið það og hreinsið eða skiptið um það ef þörf krefur.
Vatnið sem kemur úr krananum er of heitt eða of kalt.	Hafið samband við þjónustuver Dyson.

Ef frekari spurningar vakna skal hafa samband við þjónustuver Dyson.

## NOTKUN ÞAR SEM MATVÆLAVINNSLA FER FRAM

Í aðstæðum þar sem matvælaframleiðsla fer fram er þörf á sérstakri uppsetningu. Koma verður mótörhulsunni og slöngunni í heild sinni fyrir í húsi sem hægt er að þrifa eða hafa mótörhulsuna hinum megin við vegg, tryggja nægt fríbil undir henni til þrifa (ef við á) og tryggja að einingin sé í að a.m.k. 2,5 metra fjarlægð frá óvörðum matvælum eða óvörðum svæðum þar sem unnið er með matvæli.

## HREINSUN

Handþurrkuna skal þrifa daglega. Þurrkið af skynjurunum með mjúkum klúti og hreinsiefnum sem ekki innihalda svarfefni. Setjið því næst hreinsunarhettu yfir skynjarana til að hindra að loft eða vatn virkist. Hreinsið alla yfirborðsfleti krana, vasks og spegils og vegg- og borðplötur. Eftir þrif: MUNIÐ að fjarlægja hreinsunarhettuna. Hreinsið öll loftinntök neðst á mótörhylkinu (undir vaskinum) REGLULEGA. Gætið þess að engin fyrirstaða sé í niðurfallinu og að afrennsli vatns sé hindrunarlaust.

## MIKILVÆGAR UPPLÝSINGAR

Þrýstipvoði ekki vélina. Öll hreinsiefni verður að nota nákvæmlega eins og segir til um í leiðbeiningum framleiðanda þeirra (þ. á m. um rétta blöndun). Ef hreinsiefni er látið standa of lengi á vélinni myndast þunn lag utan á henni. Þetta getur dregið úr skilvirkni örverueyðandi yfirborðs vélarinnar. Öll iðefni sem á að nota ætti að prófa fyrst á lítt áberandi stað til að staðfesta hentugleika þeirra. Auk hreinsiefnanna skal einnig gæta þess að engir skaðlegir vökvar komist í sneringu við vöruna, sérstaklega olíur og efni sem innihalda alkóhól.

## LEIÐBEININGAR UM NOTKUN VATNS

Þessi handþurrka er með IP35-vottun. Ef þrýstidæla er notuð getur vatn komist inn undir ytra byrðið. Ábyrgðin nær ekki yfir vatnsskemmdir sem upp koma vegna rangra aðferða við þrif.

## SJÁLFRÍK SKOLUN

Tækið er búið sjálfvirku skolonarkerfi sem er virkt í 60 sekúndur, sólarhring eftir síðustu notkun. Kerfið hjálpar til við að draga úr stöðnun vatns og útbreiðslu baktería í vörunni. Tryggið að tækið sé ávallt sett upp yfir vöskum sem eru í lagi og með tengdu frárennsli.

## LEIÐBEININGAR ÞEGAR SKIPT ER UM SEGULLIÐA

Nauðsynlegt getur verið að skipta um segulliða handþurrkunnar. Ef grunur leikur á um að þess þurfi skal hafa samband við þjónustuver Dyson. Þegar skipt er um segulliða verður að taka handþurrkuna úr sambandi við rafmagn og vatnsstreymi. Sé það ekki gert getur það valdið alvarlegum meiðslum og/eða eignatjóni.

## VIÐHALD SÍU

Skoðið loftinntakið reglulega til að tryggja að það sé laust við ryk og óhreinindi. Það ætti að nægja að þurrka inntakið með mjúkum klúti til að fjarlægja ryk og óhreinindi. Ef loftinntakið stíflast gæti verið þörf á frekari þrifum eða síuskiptum. Ef þurrkan er notuð á stöðum þar sem álag er mikið getur reynst hentugt að nota síuskiptiset frá Dyson þegar skipta þarf um HEPA-síu tækisins á staðnum. Frekari upplýsingar má fá í þjónustuveri Dyson. Hægt er að hreinsa eða skipta um síu í handþurrkunni með því að fara vandlega eftir leiðbeiningunum sem fylgja síuskiptisetinu. Ef einhver vafi kemur upp skal leita ráða hjá viðurkenndum rafvirkja eða hafa samband við þjónustuver Dyson.

## VIÐHALDSPJÓNUSTA

Þarfnist handþurrkan viðhalds skal hafa samband við þjónustuver Dyson. Skoðið einnig vefsvæðið [www.dyson.com](http://www.dyson.com).

## UPPLÝSINGAR UM FÖRGUN

Vörur frá Dyson eru gerðar úr hágæða endurvinnanlegum efnum. Endurvinnið eins og kostur er.

## ÁBYRGÐIN

### ÁKVÆÐI OG SKILMÁLAR 5 ÁRA ÁBYRGÐAR DYSON.

Ef tækið hefur verið skráð á netinu tekur ábyrgðin gildi á kaupdegi. Geymið innkaupkvittunina. Ef innkaupkvittun er ekki fyrir hendi tekur ábyrgðin gildi 90 dögum eftir framleiðsludag skv. skráum Dyson.

Ef tækið er selt innan Evrópusambandsins heldur ábyrgðin aðeins gildi sínu (i) ef tækið er sett upp og notað í því landi þar sem það var selt eða (ii) ef tækið er sett upp og notað í Austurríki, Belgíu, Frakklandi, Þýskalandi, Írlandi, Ítalíu, Hollandi, Spáni eða Bretlandi, og sama gerð tækisins er seld með sömu málsþennu í viðkomandi landi. Ef þetta tæki er selt utan Evrópusambandsins verður það að vera sett upp og notað í því landi þar sem það var selt til að ábyrgðin haldi gildi sínu.

## UMFANG ÁBYRGÐAR

### 5 ÁRA ÁBYRGÐ

Allir varahlutir Dyson handþurrkunnar eru í ábyrgð gegn upprunalegum göllum, efni og vinnu, séu þeir notaðir í samræmi við eigandahandbókina og uppsetningarleiðbeiningarnar í fimm ár frá upphafsdegi ábyrgðarinnar.

Frekari upplýsingar má fá í þjónustuveri Dyson.

Ef bilun kemur upp í rafkerfi mun Dyson annast viðgerð án kostnaðar vegna vinnu meðan á ábyrgðartímanum stendur.

Ábyrgð vegna vinnu gildir ekki ef skipta þarf um mótórhylki, síu eða segulliða. Bili þessir íhlutir mun viðskiptavinurinn fá nýja íhluti sem hann verður sjálfur að sjá um uppsetningu á.

Frekari upplýsingar má fá í þjónustuveri Dyson.

Þegar skipta þarf um síu mun Dyson láta í té síuskiptiset sem viðskiptavinur þarf að setja upp.

- Allir hlutir sem er skilað eða skipt út af Dyson verða eign Dyson.
- Viðgerð eða skipti á einingunni undir ábyrgð framlengir ekki ábyrgðartímabilið.
- Ábyrgðin felur í sér viðbótarréttindi sem hafa ekki áhrif á nein lögvarin réttindi sem þú gætir átt sem neytandi.

## HVAÐ ÁBYRGÐIN NÆR EKKI YFIR

Dyson ábyrgist ekki viðgerðir eða skipti á vöru þar sem bilunin er vegna:

- Skemmda vegna óhappa, bilana sem stafa af gáleysi í notkun eða umhirðu, misnotkunar án ásetnings eða af ásetningi, vanrækslu, skemmdarverka, ógætilegrar notkunar eða meðhöndlunar tækisins sem ekki er í samræmi við handbók Dyson.
- Notkunar varahluta sem ekki eru settir saman eða settir upp í samræmi við fyrirmæli frá Dyson.
- Notkunar varahluta og aukabúnaðar sem eru ekki ósviknir varahlutir frá Dyson.
- Rangrar uppsetningar, eða uppsetningar þar sem fyrirmælunum frá Dyson er ekki fylgt nákvæmlega (nema í þeim tilvikum þegar Dyson sá um uppsetninguna).
- Viðgerða eða breytinga sem ekki samræmast leiðbeiningum frá Dyson.
- Skemmda af ytri orsökum, t.d. vegna flutninga, veðurs, rafmagnsleysis eða yfirspennu í rafkerfi.
- Eðlilegs slits (t.d. öryggi, o.s.frv.).

- Skemmda vegna þrifa sem ekki eru samkvæmt leiðbeiningum í þessari handbók, t.d. hreinsun með efnum eða vörum sem eru skaðleg fyrir tækið.
- Skemmda af völdum vatns sem kemst í tækið vegna hreinsunar eða meðferðar sem er bönnuð í þessari handbók.
- Sérhver skemmd í rafkerfi, vegna flóðs eða á byggingu vörunnar, eða sérhvert rekstrar- eða tekjutap sem hlýst af bilun tækisins. Ef vafi leikur á um hvað fellur undir ábyrgð skal hafa samband við Dyson (upplýsingar á baksíðunni).

## SAMANTEKT Á UMFANGI ÁBYRGÐAR

- Leggja verður fram sönnun á afhendingu/kaupum (bæði upprunalega og síðari) áður en vinna getur hafist við tækið frá Dyson eða áður en útvegaðir eru varahlutir. Án þessarar sönnunar þarf að greiða fyrir varahluti og vinnu. Haltu til haga kvittun eða afhendingarskjali.
- Með fyrirvara um ofangreinda fyrirvara mun Dyson eða viðurkenndir umboðsaðilar þess annast alla vinnu sem tengist ábyrgð þessari.

## UM ÞÍNA PERSÓNUVERND

### VIÐ SKRÁNINGU Á DYSON-VÖRUNNI

- Þú þarft að gefa okkur upp helstu samskiptaupplýsingar við skráningu á vörunni til að við getum sinnt ábyrgð okkar á henni.
- Þegar þú skráir þig býðst þér að velja hvort þú vilt að við sendum þér upplýsingar síðar. Ef þú velur að fá upplýsingar frá Dyson munum við senda þér upplýsingar um sértillboð og fréttir sem tengjast nýjustu tækninýjungunum okkar. Við seljum upplýsingarnar þínar aldrei til þriðja aðila og notum þær upplýsingar sem þú deilir með okkur aðeins í samræmi við persónuverndarstefnuna sem hægt er að nálgast á vefsíðu okkar [privacy.dyson.com](https://www.privacy.dyson.com).

# IT/CH

## NORME DI SICUREZZA IMPORTANTI

### LEGGERE E CONSERVARE QUESTE ISTRUZIONI

**PRIMA DI INSTALLARE O UTILIZZARE LA PRESENTE UNITÀ, LEGGERE TUTTE LE ISTRUZIONI E LE AVVERTENZE RIPORTATE NEL MANUALE UTENTE E NELLA GUIDA D'INSTALLAZIONE.**

**PER RIDURRE IL RISCHIO DI INCENDI, SCOSSE ELETTRICHE O LESIONI PERSONALI, TENERE PRESENTE QUANTO RIPORTATO DI SEGUITO:**

1. L'unità non deve essere utilizzata da persone (bambini inclusi) con ridotte capacità fisiche, motorie o mentali, né da persone che non possiedono l'esperienza e le conoscenze necessarie, senza supervisione e senza che siano state fornite loro le necessarie istruzioni per l'uso da parte di una persona responsabile della loro sicurezza.
2. L'unità deve essere utilizzata esclusivamente per lavarsi e asciugarsi le mani. Utilizzare questa unità esclusivamente nel modo indicato da Dyson. In caso di domande, contattare il produttore.
3. Prima di eseguire la manutenzione, spegnere l'apparecchio dal quadro generale. Assicurarsi che l'interruttore sia bloccato per evitare che l'apparecchio venga attivato in modo accidentale. Quando ciò non è possibile, fissare saldamente al quadro generale un dispositivo di segnalazione ben visibile, ad esempio una targhetta.

I bambini devono essere sorvegliati per controllare che non giochino con l'unità.

**NON UTILIZZARE APPARECCHIATURE DI LAVAGGIO A PRESSIONE PER LA PULIZIA DI QUESTA UNITÀ O DELL'AMBIENTE CIRCOSTANTE.**

### **⚠ AVVERTENZA**

**PER RIDURRE IL RISCHIO DI INCENDI O SCOSSE ELETTRICHE, NON UTILIZZARE L'UNITÀ CON UN DISPOSITIVO A STATO SOLIDO PER IL CONTROLLO DELLA VELOCITÀ**

**TUTTI I LAVORI DI INSTALLAZIONE E MANUTENZIONE (DI NATURA IDRAULICA ED ELETTRICA) DEVONO ESSERE ESEGUITI DA PERSONALE QUALIFICATO O DA UN TECNICO DELL'ASSISTENZA DYSON CONFORMEMENTE ALLE NORME O AI REGOLAMENTI LOCALI CORRENTI.**

### **⚠ ATTENZIONE**

L'asciugamani ad aria deve essere collocato in un luogo al coperto. La temperatura ambiente di esercizio varia tra 0°C (32°F) e 40°C (104°F). Per ridurre il rischio di incendi o scosse elettriche, non esporre i meccanismi/componenti interni dell'unità all'umidità.

## GRAZIE PER AVER SCELTO DI ACQUISTARE UN ASCIUGAMANI AD ARIA DYSON AIRBLADE WASH+DRY ASSISTENZA CLIENTI DYSON

Ai sensi dei termini della garanzia limitata, l'asciugamani ad aria Dyson è coperto da una garanzia di 5 anni valida a partire dalla data d'acquisto.

Registra la garanzia adesso su [www.dyson.it](http://www.dyson.it).

In caso di dubbi sull'asciugamani ad aria, chiamare il Centro Assistenza Dyson tenendo a portata di mano il numero di serie dell'unità e le informazioni su luogo e data di acquisto.

Annotare qui il numero di serie per farvi riferimento in futuro.

Il numero di serie si trova nell'angolo inferiore destro della contropiastra, sul modulo di registrazione all'interno della confezione e sul grande adesivo informativo presente intorno al rubinetto una volta disimballata l'unità.



Immagine a scopo puramente illustrativo.

Nella confezione dell'asciugamani ad aria è inclusa una guida di installazione completa che contiene informazioni dettagliate sulla corretta installazione dell'unità, incluse quelle relative all'instradamento dei cavi elettrici, alle quali È NECESSARIO attenersi. La garanzia non copre i danni derivanti da un'installazione non corretta. Il montaggio di un filtro in linea è consigliato per evitare eventuali danni che potrebbero influire sulla validità della garanzia.

IT  
CH

NOTA: prima di effettuare il collegamento al prodotto, assicurarsi che la fornitura d'acqua sia completamente priva di detriti, trucioli di rame ecc. In caso contrario l'elettrovalvola verrà danneggiata.

È necessario attenersi scrupolosamente alle istruzioni contenute nel presente manuale e nella guida d'installazione. La mancata osservanza di tali indicazioni potrebbe causare un funzionamento errato del prodotto, danni materiali e/o lesioni personali. In fase di installazione, si consiglia di installare una valvola di isolamento insieme al prodotto. Dyson non potrà essere ritenuta responsabile di danni materiali o lesioni personali, qualsiasi perdita di affari o mancato reddito, nel caso in cui l'utente, un suo dipendente, un addetto all'installazione o un tecnico dell'assistenza non rispetti le istruzioni contenute nel presente manuale e nella guida d'installazione.

## MANUTENZIONE DELL'ASCIUGAMANI AD ARIA

### ⚠ AVVERTENZA

Il presente prodotto non deve essere utilizzato in lavandini dotati di tappo. Prima di attivare il flusso d'acqua, assicurarsi che il buco di scarico sia libero da ostruzioni e che l'acqua scorra liberamente.

### ISTRUZIONI DI UTILIZZO

Posizionare le mani sotto il centro del rubinetto: l'acqua inizierà automaticamente a scorrere fino a quando non si ritireranno le mani.

Per ottenere i migliori tempi di asciugatura:

- Posizionare le mani ai lati del rubinetto centrale per attivare l'asciugamani ad aria che crea flussi d'aria in grado di rimuovere letteralmente l'acqua dalle mani.
- Muovere lentamente le mani avanti e indietro e ruotarle per asciugare sia il palmo sia il dorso.
- Tenere le mani in posizione orizzontale, avvicinando le dita l'una all'altra e tenendo i pollici rivolti verso l'alto, in modo tale che l'intera mano si asciughi con il flusso d'aria.

## GUIDA ALLA RISOLUZIONE DEI PROBLEMI

### ⚠ AVVERTENZA: RISCHIO DI SCOSSE ELETTRICHE.

Problema	Azione
L'asciugamani ad aria non si avvia.	Verificare che il fusibile/interruttore automatico funzioni e che l'alimentazione elettrica sia collegata. Il collegamento deve essere effettuato da un elettricista qualificato. Assicurarsi che il cappuccio di protezione sia stato rimosso e che i sensori siano puliti e liberi da ostruzioni. Se è disponibile un metodo di attivazione sicuro, spegnere e riaccendere l'unità. Se non è disponibile alcun metodo di attivazione sicuro, è necessario che se ne occupi un elettricista qualificato.
L'asciugamani ad aria si accende e si spegne in modo irregolare.	Assicurarsi che i sensori siano puliti e liberi da ostruzioni. Verificare che il cavo del sensore proveniente dal rubinetto sia collegato saldamente. Il collegamento deve essere effettuato da un elettricista qualificato.
Talvolta, l'asciugamani ad aria cessa di funzionare quando è in uso, ma si riattiva dopo un certo periodo di tempo.	Verificare che la presa d'aria sia pulita e priva di polvere. Rimuovere la polvere dalla presa d'aria. Assicurarsi che la presa d'aria sia libera da ostruzioni e che lo spazio intorno ad essa sia sufficiente (vedere le istruzioni di installazione).



Il tempo di asciugatura dell'asciugamani ad aria è aumentato.	Ispezionare la presa d'aria per rilevare l'eventuale presenza di polvere e rimuoverla. Ispezionare il filtro e sostituirlo in caso di necessità. Assicurarsi che il tubo flessibile sia collegato saldamente alla base del rubinetto ed escludere la presenza di perdite. Il collegamento deve essere effettuato da un elettricista qualificato.
Dall'asciugamani ad aria esce continuamente aria.	Assicurarsi che i sensori siano puliti e liberi da ostruzioni.
Dall'asciugamani ad aria non esce aria.	Verificare che il fusibile/interruttore automatico funzioni e che l'alimentazione elettrica sia collegata. Il collegamento deve essere effettuato da un elettricista qualificato. Assicurarsi che il tubo flessibile dell'aria sia collegato saldamente alla base del rubinetto ed escludere la presenza di perdite. Il collegamento deve essere effettuato da un elettricista qualificato. Verificare che il cavo del sensore proveniente dal rubinetto sia collegato saldamente. Il collegamento deve essere effettuato da un elettricista qualificato.

## RUBINETTO

Problema	Azione
L'acqua fuoriesce continuamente dal rubinetto.	Assicurarsi che i sensori siano puliti e liberi da ostruzioni.
L'acqua non fuoriesce dal rubinetto.	Assicurarsi che l'alimentazione elettrica e la fornitura dell'acqua siano attivate e che la valvola di isolamento sia aperta. Il collegamento deve essere effettuato da un elettricista qualificato. Verificare che l'aeratore sia libero da residui; rimuovere e pulire/sostituire in caso di necessità.
L'acqua proveniente dal rubinetto è eccessivamente calda o fredda.	Contattare il Centro Assistenza Dyson.

In caso di ulteriori domande, contattare il Centro Assistenza Dyson.

## UTILIZZO IN AREE PREPOSTE ALLA PREPARAZIONE DI ALIMENTI

Per gli ambienti in cui vengono trattati alimenti, è richiesta un'installazione speciale, che preveda l'inclusione del cestello del motore e del tubo flessibile in un alloggiamento facile da pulire oppure in cui il cestello del motore sia posizionato dall'altro lato della parete, vi sia abbastanza spazio per pulire la parte sottostante (se presente) e l'unità sia a una distanza di almeno 2,5 metri dagli alimenti non coperti o da superfici non coperte che vengono a contatto con gli alimenti.

## PULIZIA

L'asciugamani ad aria deve essere pulito quotidianamente.

Pulire i sensori utilizzando un panno morbido e un detergente non abrasivo, poi posizionare il cappuccio di protezione sui sensori per prevenire l'attivazione di aria e acqua.

Pulire tutte le superfici del rubinetto, il lavandino, lo specchio e ogni parete o superficie di lavoro. Una volta terminato, RICORDARE di rimuovere il cappuccio di protezione.

Pulire REGOLARMENTE le prese d'aria sulla base del cestello del motore (sotto al lavandino).

Verificare che lo scarico del lavandino sia libero da ostruzioni e che l'acqua scorra liberamente.

## INFORMAZIONI IMPORTANTI

Non lavare a pressione l'apparecchio.

Tutti i prodotti chimici di pulizia devono essere utilizzati esattamente come indicato dalle istruzioni del produttore (compresa una corretta diluizione).

Se un prodotto di pulizia viene lasciato sull'apparecchio per troppo tempo, si forma una patina. Questo potrebbe ridurre l'efficacia delle superfici antibatteriche e danneggiarle. Qualsiasi prodotto chimico destinato all'uso deve essere testato prima su un'area poco visibile affinché ne venga confermata l'idoneità. Oltre ai prodotti chimici di pulizia, occorre fare attenzione per evitare che qualsiasi tipo di liquido dannoso, in particolare oli e prodotti a base di alcool, entri in contatto con il prodotto.

## LINEE GUIDA PER L'ACQUA

L'asciugamani ad aria è dotato di certificazione IP35.

L'uso di un lavatore a pressione può provocare la penetrazione di acqua all'interno del rivestimento.

I danni provocati dall'acqua a causa di un metodo di pulizia non corretto rendono nulla la garanzia.

## SCARICO AUTOMATICO

L'unità è dotata di un sistema di scarico automatico dell'acqua, che si attiva per 60 secondi.

24 ore dopo l'ultimo utilizzo. In questo modo si evitano il ristagno dell'acqua e la proliferazione dei batteri all'interno delle tubazioni.

Verificare sempre che l'unità sia collegata a un sistema di drenaggio aperto.

## LINEE GUIDA PER LA SOSTITUZIONE DEL SOLENOIDE

Sull'asciugamani ad aria, potrebbe rendersi necessario sostituire il solenoide. In tal caso, contattare il Centro Assistenza Dyson.

Durante la sostituzione del solenoide, è necessario scollegare l'asciugamani ad aria dall'alimentazione di rete e dalla fornitura dell'acqua. La mancata osservanza di questa indicazione può causare lesioni gravi e/o danni materiali.

## MANUTENZIONE DEL FILTRO

Controllare regolarmente la presa d'aria per assicurarsi che sia libera da polvere e residui. Dovrebbe essere sufficiente pulire la presa con un panno morbido.

Se la presa d'aria si ostruisce, potrebbe essere necessaria un'ulteriore pulizia o la sostituzione del filtro.

In caso di ambienti a elevato utilizzo, un kit per la sostituzione del filtro Dyson fornisce tutto quello che serve per cambiare il filtro HEPA dell'unità in loco. Per ulteriori informazioni, contattare il Centro Assistenza Dyson.

La pulizia o la sostituzione del filtro dell'asciugamani ad aria Dyson può essere effettuata seguendo attentamente le istruzioni contenute nel kit di sostituzione del filtro. In caso di dubbi, rivolgersi a un elettricista qualificato o contattare il Centro Assistenza Dyson per richiedere assistenza.

## MANUTENZIONE

Se l'asciugamani ad aria necessita di un intervento di manutenzione, chiamare il Centro Assistenza Dyson. Visitare inoltre il sito Web [www.dyson.it](http://www.dyson.it).

## INFORMAZIONI SULLO SMALTIMENTO

I prodotti Dyson sono realizzati con materiali riciclabili di qualità elevata. Se possibile, riciclare il prodotto.

## GARANZIA

### TERMINI E CONDIZIONI DELLA GARANZIA DI 5 ANNI DI DYSON.

Se si è registrata il prodotto online, la garanzia comincerà a partire dalla data di acquisto. Conservare la prova d'acquisto. Se non si dispone della prova d'acquisto, la garanzia comincerà 90 giorni dopo la data di produzione, in base ai registri Dyson.

Nel caso in cui tale apparecchio sia venduto all'interno dell'UE, la presente garanzia sarà valida soltanto (i) se l'unità è installata e impiegata nel paese in cui è stata venduta, oppure (ii) se l'unità è installata e impiegata in Austria, Belgio, Francia, Germania, Irlanda, Italia, Paesi Bassi, Spagna o Regno Unito e lo stesso modello dell'apparecchio è venduto alla stessa tensione nominale nel paese in questione. Nel caso in cui tale prodotto sia venduto al di fuori dell'UE, la presente garanzia sarà valida soltanto se l'unità sarà installata e impiegata nel paese in cui è stata venduta.

### ELEMENTI INCLUSI NELLA GARANZIA

#### 5 ANNI DI GARANZIA

Tutti i componenti dell'asciugamani ad aria sono coperti da garanzia contro difetti originali, materiali e di fabbricazione, ove l'utilizzo del dispositivo sia conforme al manuale d'uso e alla guida di installazione; tale garanzia dura per un periodo di 5 anni.

Per ulteriori informazioni, chiamare il Centro Assistenza Dyson.

Se dovessero verificarsi guasti elettrici durante il periodo di garanzia, Dyson eseguirà le riparazioni senza applicare costi di manodopera.

La sostituzione del gruppo del cestello del motore, del filtro e del solenoide non è inclusa nei costi di manodopera. Se tali parti dovessero subire guasti, verranno inviati componenti sostitutivi che sarà responsabilità del cliente installare.

Per ulteriori informazioni, chiamare il Centro Assistenza Dyson.

Ove fosse necessaria la sostituzione del filtro, Dyson fornirà un kit apposito che sarà responsabilità del cliente installare.

- Qualsiasi parte restituita e sostituita da Dyson diverrà proprietà di Dyson.
- La riparazione o la sostituzione dell'apparecchio in garanzia non estenderà il periodo di garanzia.
- La garanzia prevede benefici ulteriori che non modificano i diritti garantiti dalla legge ai consumatori.

### ELEMENTI ESCLUSI DALLA GARANZIA

Dyson non garantisce la riparazione o la sostituzione di un prodotto nel caso in cui il guasto sia dovuto a:

- Danno accidentale, guasti causati da utilizzo o gestione negligente, uso improprio volontario o involontario, incuria, vandalismo, funzionamento o movimentazione imprudente dell'unità non in conformità a quanto previsto dal Manuale d'uso di Dyson.
- Uso di parti non assemblate o installate in conformità alle istruzioni di Dyson.
- Uso di parti e accessori che non siano componenti originali Dyson.
- Installazione difettosa o non effettuata seguendo esattamente le istruzioni fornite da Dyson (ad eccezione delle installazioni effettuate da Dyson).
- Riparazioni o alterazioni compiute non in conformità con le istruzioni di Dyson.
- Danni derivanti da sorgenti esterne, come trasporto, clima, interruzioni della corrente elettrica e sovraccarichi di alimentazione.
- Usura e difetti causati da impiego normale (ad esempio fusibili, ecc.).
- Danni causati da procedure di pulizia non in linea con le istruzioni contenute nel presente manuale (ad esempio: pulizia con prodotti chimici o altri prodotti indicati come dannosi per l'unità).
- Danni causati dall'ingresso dell'acqua per pulizia o trattamenti proibiti in questo manuale.
- Qualsiasi danno elettrico, da allagamento o strutturale, oppure qualsiasi perdita economica o mancato guadagno derivante dal malfunzionamento del prodotto. Per qualsiasi dubbio relativamente agli elementi coperti dalla garanzia, contattare Dyson (i dettagli sono riportati nella copertina posteriore).

### SINTESI DELLA COPERTURA

- È necessario presentare la prova (sia originale che qualsiasi successiva) della consegna/dell'acquisto prima che possa essere effettuato qualsiasi intervento sul vostro apparecchio Dyson. Senza questa prova, ogni intervento o fornitura di pezzi saranno a pagamento. Si prega di conservare eventuali ricevute o prove dell'avvenuta consegna.
- Tutti gli interventi saranno compiuti da Dyson o da suoi agenti autorizzati.

### INFORMAZIONI IMPORTANTI SULLA TUTELA DEI DATI

#### QUANDO VIENE REGISTRATO IL PRODOTTO DYSON:

- Per effettuare la registrazione del prodotto e consentire il riconoscimento della garanzia, è necessario che l'utente fornisca i dati di contatto principali.
- In fase di registrazione, l'utente ha l'opportunità di scegliere se desidera o meno ricevere comunicazioni da noi. Se l'utente acconsente alla ricezione di comunicazioni da Dyson, provvederemo a inviare i dettagli di offerte speciali e news sulle innovazioni più recenti. Non affidiamo mai a terzi le informazioni ricevute e utilizziamo unicamente quelle che l'utente condivide con noi in conformità alle norme sulla privacy disponibili sul nostro sito Web: [privacy.dyson.com](http://privacy.dyson.com).

## 安全に関する重要な確認事項

### 本取扱説明書を注意して読み、大切に保管してください。

本製品の取り付けや使用前に、本取扱説明書および取り付けガイドに記載された手順と注意マークの項目をすべてお読みください。

火災、感電、または怪我を未然に防ぐために、以下の点に注意してください。

1. 本製品は、安全責任担当者から本製品の使用に関して監督や指示を受けないかぎり、お子様や、身体・知覚・思考能力が著しく低下している方が単独で使うことは絶対にお止めください。
2. 本製品は、手洗いと乾燥を目的として作られていますので、それ以外の目的ではご使用にならないでください。本製品は、弊社の意図する方法においてのみ使用してください。ご不明な点がございましたら、弊社までお問い合わせください。
3. 保守点検を行う前に、配電盤の電源をオフにしてください。誤って電源スイッチをオンにしないようにスイッチにロックがかかっていることを確認してください。電源をオフにするスイッチをロックできない場合は、その旨がわかるような警告を配電盤に貼り付けるなどしてください。
4. お子様の本製品で遊ばないように十分注意してください。

本製品または周囲を清掃する際は、高圧洗浄機を使用しないでください。

### 警告

火災、感電のリスクを低減するため、本製品をソリッドステート速度制御装置と併用しないでください。

すべての取り付けや修理作業（配管や電気配線）は、資格を有する方が販売国の規制に従って行ってください。

### 注意

本製品は屋内に設置してください。動作温度は0°C～40°Cです。火災や感電のリスクを低減するため、本製品の内部機構/部品を水分や湿気にさらさないでください。

## このたびは、ダイソンの AIRBLADE WASH+DRYハンドドライヤーをお買い上げいただき、誠にありがとうございます。

お買い上げいただいたハンドドライヤーは、5年間の部品保証登録が、保証条件に従い購入日から適用されます。

今すぐ <https://www.dyson.co.jp/> から部品保証を行ってください。

本製品に関してご不明点がございましたら、<ダイソンお客様相談室>まで電話でお問い合わせください。その際、シリアル番号と本製品を購入された販売代理店、お買い上げ年月日をお知らせください。

今後の参考のために、シリアル番号を控えておいてください。



シリアル番号は、本製品のモーターバケットの右端、蛇口周辺にある大きなステッカー上、また箱の中に入っている登録シートに貼付されている製品ラベルに記載されています。



製品ラベルサンプルイメージ（詳細は実物と異なります）

本製品には、取り付けガイドが同梱されています。取り付けガイドには電線の配線方法を含めた、順守いただきたい正しい本製品の取り付け方が説明されております。誤った取り付け方をしたために損傷が起きた場合は、保証適用外となります。取扱説明書および取り付けガイドの手順に従わない場合は、誤動作、設備の損傷、負傷が起こる可能性があります。部品保証に影響を及ぼす可能性がある損傷を防ぐため、インラインフィルターの取り付けを推奨しております。

注意：本製品を接続する前に、給水管の中に塵や赤銅屑等が、完全に洗浄されている状態であるか確認してください。洗浄されていない場合、電磁弁を損傷します。お客様自身や本製品を取り付けされる方、または、修理技術者の方が取扱説明書及び取り付けガイドに記載された手順を順守されなかった場合、弊社では施設の損傷または怪我、もしくは取引上の収益や損失に関して責任を負いません。

## ハンドドライヤーのお手入れ

### ⚠ 警告

本製品は、止水栓付きのシンクでは使用できません。水流を確保する前に、排水口から異物が取り除かれ、水がきちんと排水されることを確認してください。

### 使用方法

蛇口の真下に手をかざすと、自動的に水が流れ、離すと水が止まります。蛇口の側面に手をかざすと、本製品が作動し、空気がシート状に噴射され、手についた水を削ぎ落とします。

手をゆっくり前後に動かします。手の平と手の甲を相互にかざしながら、両面を乾かします。

手を水平に保ちながら、指の間隙を閉じて、送風が親指から手の平と手の甲の全体にかかっていることを確認してください。

### トラブルシューティング・ガイド

#### ⚠ 警告：感電の危険があります。

問題	解決策
ハンドドライヤーがスタートしない	電源が確実に繋がっていて、ブレーカーが落ちていないことを確認してください。これは、電気技師の資格のある方が行ってください。 お手入れ用のキャップが取り外されており、センサーに汚れがついていないことを確認してください。
ハンドドライヤーのオン/オフが不規則に切り替わる	センサーに汚れがついておらず、異物が詰まっていないことを確認してください。蛇口からのセンサーケーブルがしっかりと接続されていることを確認してください。これは、電気技師の資格のある方が行ってください。
使用中にハンドドライヤーが中断することがあるが、しばらくすると再び作動する	吸気口に汚れやホコリがないことを確認してください。 吸気口にホコリが詰まっている場合は、取り除いてください。 吸気口に異物が詰まっておらず、十分な隙間があることを確認してください。(別紙取り付けガイド参照)。
乾燥に必要な時間が長くなった	吸気口の格子にホコリが詰まっていないか点検し、取り除いてください。フィルターを点検し、必要に応じて交換してください。 空気ホースがモーターバケットのバックパネルの上部にしっかりと装着され、漏れが見当たらないことを確認してください。これは、電気技師の資格のある方が行ってください。

送風が止まらない	センサーに汚れがついておらず、異物が詰まっていないことを確認してください。
ハンドドライヤーが送風されない	電源が確実につながっていて、ブレーカーが落ちていないことを確認してください。これは、電気技師の資格のある方が行ってください。 空気ホースがモーターバケットのバックパネルの上部にしっかりと装着され、漏れが見当たらないことを確認してください。これは、電気技師の資格のある方が行ってください。 蛇口からのセンサーケーブルがしっかりと接続されていることを確認してください。これは、電気技師の資格のある方が行ってください。

## 蛇口

問題	解決策
蛇口から水が止まらない	センサーに汚れがついておらず、異物が詰まっていないことを確認してください。
蛇口から水が出てこない	電源供給および水道供給に問題がないか、電気技師の資格のある方、もしくはその他の資格のある方が確認を行ってください。エアレーターに詰まりがないことを確認してください。必要であれば、お手入れ、交換を行ってください。
蛇口から出る水が熱すぎたり、冷たすぎたりする	<ダイソンお客様相談室>にご連絡ください。

その他のお問い合わせにつきましては、<ダイソンお客様相談室>にご連絡ください。

## 食品を扱う空間での使用

食品を扱う特別な空間においては、特別な取り付けが必要となります。特別な取り付けとは、モーターバケットとホースを清掃可能なシンク下のスペースに完全に収納するか、モーターバケットを壁の裏側に取り付けることをいいます。更に、本製品は、箱などに入っていないむき出しの食品や、食品が接触するテーブルなどの表面から、少なくとも2.5メートル離れた場所に取り付ける必要があります。

## 清掃

本製品は毎日お手入れする必要があります。センサーを柔らかい布と研磨剤の入っていない洗浄剤を使って拭き取り、空気と水がオンにならないようセンサーにクリーニングキャップをかぶせます。すべての蛇口の表面、シンク、鏡、壁、カウンター表面をお手入れします。お手入れが完了したら、クリーニングキャップを忘れずに取り外します。モーターバケットのベース部分（シンク下）の吸気口は、定期的に清掃してください。排水口に異物がなく、水がきちんと排水されることを確認します。

## 重要な情報

本製品を加圧洗浄しないでください。すべての洗浄剤は、弊社の指示どおりに使用する必要があります（適切な希釈を含む）。洗浄剤が本製品に長期に渡り残留していると、膜が形成されます。これは、表面の抗菌加工の効果が低減する原因になります。化学薬品を使用する場合は、製品の一部分で適合性を確認してください。化学洗浄剤以外にも、油やアルコール系の製品など、有害となる液体が本製品に付着しないようご注意ください。

## 水に関するガイドライン

本製品はIP35認定を受けています。高圧洗浄機を使うと、水がケース内部に浸透する可能性があります。間違ったお手入れが原因で水による損傷が起きた場合は、保証は無効になる場合があります。

## 自動洗浄

本製品には自動洗浄機能が搭載されており、最後に製品を使用してから24時間後に60秒間自動洗浄のため作動します。自動洗浄を行うことで、本体の内部で止水域や雑菌が繁殖することを抑制できます。本製品が、排水口と接続されたシンクに取り付けられていることを確認してください。

## 電磁弁の交換ガイドライン

本製品の電磁弁を交換する必要がある場合があります。ご不明な点がある場合は<ダイソンお客様相談室>にご連絡ください。電磁弁を交換する際には、本製品を電源および水道管の接続を取り外さなければなりません。これを怠ると、重大な事故や設備の損傷につながる可能性があります。

## フィルターの保守点検

吸気口を定期的に確認し、ゴミやホコリがないようにしてください。柔らかい布で吸気口を拭きただけでゴミやホコリは十分に取り除けます。吸気口が詰まると、さらなるクリーニングかフィルターの交換が必要になる場合があります。本製品の使用頻度が高く、本製品のHEPAフィルターの交換が必要な際は、弊社製（純正）フィルター交換キットをご利用ください。詳細は、<ダイソンお客様相談室>にご連絡ください。本製品のフィルタークリーニングまたは交換は、フィルター交換キットの手順に従って行ってください。ご不明な点がある場合は、資格のある電気技師に相談するか、または<ダイソンお客様相談室>にご連絡ください。

## 保守点検

本製品の保守点検が必要な場合は、<ダイソンお客様相談室>にご連絡ください。あるいは、弊社の公式サイト<https://www.dyson.co.jp/>にアクセスしてください。

## 廃棄に関する情報

弊社の製品は、リサイクル可能な素材で作られています。本製品を廃棄される場合は、適切にリサイクルを行なってください。

## 保証内容

### 5年間の部品保証利用規約

お買い上げいただいた本製品を弊社の公式サイトからご登録いただくと、お客様の部品保証が購入いただいた日から適用されます。保証をお受けになるには、製品のシリアルナンバーを弊社の公式サイト<https://www.dyson.co.jp/>からご登録ください。

本製品の販売場所がEU圏外の場合の保証は、本製品が販売国で取り付け、および、使用される場合に限り有効となります。

### 保証適用範囲

#### 5年間部品保証

本製品の材料、部品または製造工程に起因する不具合が生じた場合、本製品が取扱説明書や取り付けガイドに従って使用されている条件で、5年間の部品保証が適用されます。

詳細については、<ダイソンお客様相談室>にご連絡ください。

フィルター交換が必要な場合、弊社からお客様が現場で取り付けを行うためのフィルター交換キットをご提供いたします。

修理のために取り外した部品は、弊社で引き取らせていただきます。

部品の交換・装着により、保証期間が延長されることはありません。

保証は、各種サービスをお約束するもので、お客様の法律上の権利を制限するものではありません。

#### 保証範囲外

弊社では、欠陥の理由が以下の場合には修理または交換を保証しません。

偶発的な損傷、不注意な使用または過失による故障、作為または不作為による悪用、放置、破壊行為、取り付けガイドに従わない本製品の不注意による操作もしくは取り扱い。

弊社の指示に従って組み立てまたは取り付けを行わなかった部品の使用。

弊社の純正品ではない部品および付属品の使用。

取り付けミス、または弊社が提供する取り付けガイドに正確に従わない取り付け。

弊社の指示に従わずに行った修理または改造。

輸送、天候、停電または電力サージなどの外部要因による損傷。

通常使用による摩耗（ヒューズなど）。

取り付けガイドの手順に従わずに掃除することで生じた損傷。例えば、本製品に有害としてリストに記載された化学物質または製品を用いて掃除する場合など。

取り付けガイドで禁止された掃除方法や取り扱い方法によって水が浸入したために生じる損傷。

感電、浸水もしくは構造による損傷。なお、製品の故障によって生じる事業もしくは収益の損失は、保証の範囲外です。保証対象範囲に関してご不明な点がある場合は、<ダイソンお客様相談室>にご連絡ください（詳細は裏表紙に記載）。

#### 保証に関する注意事項

本製品をオンラインでご登録いただいた場合、お客様の部品保証はご購入日から始まりません。購入証明書を保管しておいてください。購入証明書がない場合、弊社の記録に従い、製造日から90日後が部品保証の開始日となります。この部品保証は、本製品が販売国で取り付けおよび使用される場合に限り有効となります。

上記の免責を条件として、本部品保証に基づいて実施されるすべての作業は、正規代理店および資格のある電気技師によって行われます。

## お客様の個人情報について

### 弊社製品を登録する場合：

- お客様には、製品を登録して保証を適用するために、基本的な連絡先情報をご提供いただく必要があります。
- 登録の際、弊社からのお知らせの受け取りを希望されるかどうかを選択してください。お知らせを受け取る選択をされると、特別キャンペーンや最新技術に関するニュースなどの詳細をお送りいたします。弊社がお客様の個人情報を第三者に販売することはなく、弊社のプライバシーポリシーで定義されている情報のみを使用します。プライバシーポリシーは、弊社の公式サイトでご確認いただけます。 <http://privacy.dyson.com>

## 중요 안전 지침

### 이 설명서를 읽고 보관해 두십시오.

본 제품을 설치 또는 사용하기 전에 설명서와 제품에 표시된 모든 안내 및 주의사항을 읽어주십시오.

화재의 위험, 감전 또는 부상을 방지하려면 다음 사항을 준수하십시오.

1. 다이슨 제품의 안전한 사용을 위해 사용자의 관리 또는 지시하에 사용되는 것이 아니라면, 어린이들이나 신체적, 감각적, 논리적 능력의 결핍 또는 경험과 지식이 부족한 사람의 사용을 금하여 주십시오.
2. 다이슨 핸드 드라이어를 손 세척 및 건조 이외의 다른 목적으로 사용하지 마십시오. 다이슨이 의도한 방식으로만 이 제품을 사용하십시오. 문의 사항이 있으면 다이슨 헬프라인에 문의하십시오.
3. 정비 이전에 배전반의 스위치를 끄십시오. 갑작스럽게 스위치가 켜져 전원이 들어오는 것을 방지하기 위해 스위치가 꺼져 있는지 확인합니다. 만약 스위치를 꺾음에도 전원을 차단할 수 없을 경우 꼬리표와 같이 눈에 잘 띄는 경고장치를 배전반에 부착하십시오.

어린이가 제품을 가지고 놀지 않도록 주의하십시오.

이 장치 위나 가까이에서 압력 세척기를 사용하여 세척하지 마십시오.

### ⚠ 경고

화재 또는 감전 우려가 있으므로 전자식 속도 제어 장치와 이 장치를 혼용하지 마십시오.

모든 설치 및 수리 (배관 및 전기 관련) 작업은 현지 규정이나 법규에 따라 전문가 또는 다이슨 서비스 엔지니어가 수행해야 합니다.

### ⚠ 주의

핸드 드라이어는 반드시 실내에 설치해야 합니다. 작동 온도 범위는 0° C(32° F) ~ 40° C(104° F) 사이입니다. 화재나 감전의 위험을 줄이기 위해 이 제품의 내부 기계장치나 부품을 습기에 노출시키지 마십시오.

## 다이슨 AIRBLADE WASH+DRY 핸드 드라이어를 선택하고 구입해 주셔서 감사합니다.

### 다이슨 고객 관리

핸드 드라이어는 보증 약관에 따라 다이슨 제품 구입일로부터 5년간 보증됩니다. 다음 웹사이트에서 기기를 등록하십시오. [www.dyson.com](http://www.dyson.com). 다이슨 핸드 드라이어에 대한 문의사항이 있으면 일련번호와 이 제품을 구입한 장소와 구입 날짜를 확인하여 다이슨 헬프라인으로 문의하시기 바랍니다.

향후 문의를 위해 일련번호를 적어 두십시오.

일련번호는 백플레이트 우측 아래 구석, 제품 박스의 등록정보 안내 또한 제품 포장을 풀었을 때 제품 주변의 커다란 정보 스티커에 명시되어 있습니다.



이 그림은 예시용으로만 제공된 것입니다.

핸드 드라이어 포장에는 자세한 설치 설명서가 포함되어 있습니다. 여기에는 전기 케이블의 배치를 포함하여 제품의 올바른 설치를 위해 그대로 따라야 하는 자세한 정보가 들어 있습니다. 잘못된 설치로 인한 손상에 대해서는 보증이 적용되지 않습니다. 보증에 영향을 미칠 수 있는 손상을 방지하기 위해 인라인 필터를 맞추는 것이 좋습니다.

참고: 제품을 연결하기 전에 급수를 통해 잔해, 구리 철심을 완전하게 비워냈는지 확인하십시오. 그렇지 않으면 솔레노이드 밸브가 손상됩니다.  
 이 설명서와 설치 안내서의 지침을 엄격하게 준수해야 합니다. 그렇지 않은 경우 잘못된 사용으로 인한 재산 피해 및/또는 부상을 초래할 수 있습니다. 설치 시 본 제품에 차단 밸브를 장착하는 것이 좋습니다. 귀하 혹은 귀사의 직원, 설치 또는 서비스 엔지니어가 본 설명서 및 설치 설명서에 명시된 지시 사항을 준수하지 않은 경우 다이슨은 개인 부상, 사업적 또는 재산 피해에 대해 책임을 지지 않습니다.

## 핸드 드라이어 관리 요령

### ⚠ 경고

본제품은 플러그가 꽂힌 세면대에서 사용하지 마십시오. 물을 사용하기 전 배수구의 이물을 제거하고 배수상태를 확인합니다.

### 사용 방법

수도꼭지의 중앙 아래에 손을 대면 자동으로 물이 흐르고 손을 다른 곳으로 움직이면 멈춥니다.

최상의 건조 방법:

- 수도꼭지의 측면에 손을 대면 핸드 드라이어가 작동하며 바람이 손의 물기를 제거합니다.
- 손을 천천히 앞뒤로 움직입니다. 손등과 손바닥을 뒤집어 양쪽 모두 건조합니다.
- 손을 평평하게 유지하고 손가락 사이를 벌리지 않은 채 바람의 흐름이 손 전체를 따라 흐르도록 합니다.

## 문제 해결 지침

### ⚠ 경고: 감전 위험.

문제	조치
핸드 드라이어가 작동하지 않습니다.	퓨즈/회로 차단기가 작동 중인지 전원이 연결된 상태인지 상태인지 확인합니다. 반드시 자격을 갖춘 전기 기술자가 수행해야 합니다. 청소 캡이 제거되고 센서를 막는 물체가 없고 깨끗한지 확인합니다. 안전하게 끌 수 없는 경우 전기 기술자가 이를 실시해야 합니다.
핸드 드라이어가 비정상적으로 켜지거나 꺼집니다.	센서가 깨끗하고 이물질이 끼지 않았는지 확인합니다. 본체의 센서케이블이 확실하게 연결되어있는지 확인합니다. 반드시 자격을 갖춘 전기 기술자가 수행해야 합니다.
핸드 드라이어가 사용 중에 가끔씩 작동을 멈추었다가 다시 작동합니다.	공기 흡입구를 먼지가 막고있지 않는지 확인하고 제거합니다. 공기 흡입구가 이물로 막히지 않아야 하며 충분한 간격을 두어야 합니다. (설치설명서 참조)
건조 시간이 증가하였습니다.	공기 흡입구를 먼지가 막고있지 않는지 확인하고 제거합니다. 필터를 점검하고 필요한 경우 교환합니다. 바람 호스가 수도꼭지 아랫부분에 단단히 연결 되어있는지 새는 부분이 없는지 확인합니다. 반드시 자격을 갖춘 전기 기술자가 수행해야 합니다.
핸드 드라이어에서 바람이 계속 나옵니다.	센서가 깨끗하고 이물질이 끼지 않았는지 확인합니다.



핸드 드라이어에서 바람이 나오지 않습니다.	퓨즈/회로 차단기가 작동 중인지 전원이 연결된 상태인지 상태인지 확인합니다. 반드시 자격을 갖춘 전기 기술자가 수행해야 합니다. 바람 호스가 수도꼭지 아랫부분에 단단히 연결 되어있는지 새는 부분이 없는지 확인합니다. 반드시 자격을 갖춘 전기 기술자가 수행해야 합니다. 본체의 센서케이블이 확실하게 연결 되어있는지 확인합니다. 반드시 자격을 갖춘 전기 기술자가 수행해야 합니다.
-------------------------	--

### 수도꼭지

문제	조치
수도꼭지에서 물이 계속 나옵니다.	센서가 깨끗하고 이물질이 끼지 않았는지 확인합니다.
수도꼭지에서 물이 나오지 않습니다.	전기 및 수도공급이 잘 되고 있는지 차단밸브가 열려 있는지 확인합니다. 반드시 자격을 갖춘 전기 기술자가 수행해야 합니다. 통기장치에 이물질이 없는지 확인하고 필요한 경우 제거/청소/교환합니다.
수도꼭지에서 나오는 물이 너무 뜨겁거나 차갑습니다.	다이슨 헬프라인에 문의하십시오.

추가 질문이 있는 경우 다이슨 헬프라인에 문의하십시오.

### 식품 조리 공간에서의 사용

식품조리환경에서는 모터 버킷과 호스를 청소가 가능한 하우징에 완전히 밀봉하거나 모터버킷을 벽의 반대편 혹은 하단 청소를 위해 적절한 간격을 유지합니다. (해당하는 경우) 또한, 장치가 아무것도 덮여 있지 않은 음식이나 음식 접촉면으로부터 최소 2.5m 이상 떨어져 있어야 하는 등의 특별한 설치가 요구 됩니다.

### 청소

핸드 드라이어는 매일 청소해야 합니다. 센서는 부드러운 천과 비마모성 세척제를 사용하여 닦아 주고 공기와 물이 작동되지 않도록 센서 위에 청소 캡을 덮어 주십시오. 수도꼭지 표면, 세면대, 거울 및 벽과 카운터탑을 모두 청소합니다. 청소 완료 후에는 반드시 청소 캡을 분리해야 합니다. 모터 버킷 베이스(세면대 아래)의 공기 흡입구를 정기적으로 청소합니다. 세면대 플러그 홀이 막히지 않았는지 물이 잘 흐르는지 확인합니다.

### 중요 정보

기계에 압력을 가하여 청소하지 마십시오. 제조사의 설명서(적절한 희석 비율 포함)에 표시된 대로 모든 화학 세제를 정확하게 사용해야 합니다. 화학 세제가 기계에 너무 오래 남아 있으면 얇은 막이 형성됩니다. 이로 인해 항균성 표면의 효력이 저하되고 손상될 수 있습니다. 모든 화학 세제는 적합성을 확인하기 위해 눈에 띄지 않는 부분에 먼저 시험적으로 사용해야 합니다. 화학 세제 외에도 특히 유성 및 알코올 기반 제품과 같은 어떠한 유해한 액체도 제품에 닿지 않도록 주의하십시오.

### 물 관련 지침

본 다이슨 핸드 드라이어는 IP35 인증을 받았습니다. 압력 세척 장비의 사용으로 케이스 내부에 물이 들어갈 수 있습니다. 잘못된 물 청소로 인한 손상은 보증을 무효화합니다.

### 자동 워터 플러시

이 장치에는 마지막 사용 24시간 후에 60초 동안 작동하는 고정식 자동 워터 플러시 장치가 장착되어 있습니다. 이를 통해 제품 내부에 물이 고이는 현상과 박테리아 증식을 방지합니다. 항상 장치가 가동하는 세면대에 설치되어 있는지, 확인하십시오.

### 솔레노이드 교체 지침

다이슨 핸드 드라이어의 솔레노이드를 교체할 필요가 있습니다. 이런 경우 다이슨 헬프라인에 문의하십시오. 솔레노이드를 교체할 때 다이슨 핸드 드라이어의 전원 및 급수를 끊어야 합니다. 공급을 끊지 않으면 심각한 부상 또는 재산 피해를 초래할 수 있습니다.

### 필터 유지 보수

먼지 및 이물질이 끼지 않았는지 공기 흡입구를 정기적으로 확인합니다. 부드러운 천으로 공기 흡입구를 닦아내면 충분히 먼지와 이물질을 제거할 수 있습니다. 공기 흡입구가 막혔을 경우에는 세부적인 청소 또는 필터의 교환이 필요할 수 있습니다. 사용 빈도가 높은 경우 현장에서 HEPA 필터를 교환할 수 있도록 교환 키트를 제공 받을 수 있습니다. 자세한 내용은 다이슨 헬프라인에 연락하십시오. 필터의 청소 또는 교환은 필터 교환용 키트와 함께 제공되는 설명서를 준수하여 수행할 수 있습니다. 불명확한 점이 있는 경우 자격을 갖춘 전기 기술자와 상담하거나 지원요청을 위해 다이슨 헬프라인에 연락하십시오.

### 수리

핸드 드라이어를 수리해야 하는 경우 다이슨 헬프라인으로 연락해 주십시오. 또한 [www.dyson.com](http://www.dyson.com) 웹사이트를 방문하십시오.

### 폐기 정보

다이슨 제품은 재활용 가능한 소재로 만들어집니다. 제품의 폐기는 신중하게 하시고 가급적 재활용하시기 바랍니다.

## 사용자 보증

### 다이슨 5년 품질보증 약관

제품을 온라인으로 등록한 경우 보증은 구입일로부터 시작됩니다. 구입 영수증을 보관하시기 바랍니다. 구입 영수증이 없는 경우, 보증은 다이슨의 기록에 따라 제조 날짜의 90일 이후부터 시작됩니다.

제품이 EU 역외 지역에서 판매되는 경우 본 보증은 제품이 판매된 곳과 동일한 국가 내에서 설치 및 사용된 경우에만 적용됩니다.

## 보증 내용

### 5년 보증

핸드 드라이어 제조 과정에서 사용된 모든 부품은 사용 설명서 및 설치 지침에 따라 사용할 경우 품질보증 시작일로부터 5년간 본래의 불량이나 재질 및 작업상의 오류가 없습니다.

자세한 내용은 다이슨 헬프라인에 전화하십시오.

정전이 발생하는 경우, Dyson은 보증 기간 동안 추가 인건비 없이 수리를 수행할 수 있도록 처리할 것입니다.

모터 버킷 조립부품, 필터 및 솔레노이드 교체 시 이에 대한 비용은 인건비에 포함되지 않습니다. 부품이 고장날 경우, 대체 부품은 고객이 현장에서 제공해야 합니다.

자세한 내용은 다이슨 헬프라인에 전화하십시오.

필터 교체가 필요한 경우 다이슨은 고객이 현장에서 설치할 수 있는 필터 교체 키트를 제공합니다.

- 반환 및 교환되는 모든 부품은 다이슨의 소유 자산이 됩니다.
- 보증에 해당되는 기기의 모든 부품의 교체는 보증 기간을 연장하지 않습니다.
- 본 보증이 제공하는 혜택은 소비자의 법률적 권리에 추가되지만 그 권리에 영향을 미치지 않습니다.

## 보증 범위 예외

다이슨은 다음의 결과로 인한 제품의 수리나 교체를 보증하지 않습니다.

- 부적절한 사용이나 관리, 고의 혹은 비고의적인 오용, 방치, 파손 행위, 부주의한 사용 또는 다이슨 사용 설명서를 따르지 않은 제품의 조작으로 인한 우연한 손상, 결함
- 다이슨 설명서에 따라 조립 또는 설치되지 않은 부품의 사용
- 다이슨 정품 부품이 아닌 부품이나 부속품을 사용한 경우
- 잘못된 설치 또는 다이슨이 제공하는 설치 지침을 정확하게 따르지 않은 설치(다이슨이 설치한 곳은 제외)
- 다이슨의 설명에 따르지 않은 수리 또는 제품 변경
- 운반, 날씨, 정전, 전력 서지 등 외부적인 요인으로 발생하는 손상
- 정상적인 마모나 손상(예: 퓨즈 등)
- 본 설명서의 설명에 부합하지 않은 청소로 인한 손상(예: 제품에 유해하다고 지정된 화학 물질이나 제품으로 세척한 경우)
- 청소 또는 이 설명서에서 금한 잘못된 관리 방법에서 비롯된 물 유입으로 인한 손상
- 전기, 침수 또는 구조적 손상, 또는 제품 고장으로 인한 사업이나 매출 손실 보증 범위와 관련하여 의문 사항이 있는 경우 저희 다이슨으로 문의하시기 바랍니다(뒷 표지의 세부 정보 확인)

## 보증 범위 요약

- 다이슨 제품에 대한 작업을 수행하기 전에 (원본 및 일체 후속) 배송/구입 증명서를 제공해야 합니다. 해당 증명서가 없는 경우 수행되는 작업에 대해 요금이 부과됩니다. 영수증 또는 배송 증명서를 보관하십시오.
- 모든 작업은 다이슨 또는 공인 대리점에 의해 수행됩니다.

## 개인정보보호 관련

### 다이슨 제품을 등록하는 경우

- 품질 보증서에 따른 당사의 서비스를 이용하려면 기본 연락처 정보를 제공해야 합니다.
- 등록 시 당사의 마케팅 자료 수신 여부를 선택할 수 있습니다. 다이슨의 마케팅 자료 수신을 선택하면, 특가 판매 상세 정보 및 최신 업데이트 뉴스를 보내 드립니다. 귀하의 정보를 절대로 제3자에게 양도하지 않습니다. 당사에 제공해주신 정보는 다음 사이트에서 볼 수 있는 당사의 개인정보보호정책에 따라 사용됩니다 [privacy.dyson.com](https://privacy.dyson.com).

MY

## PANDUAN KESELAMATAN PENTING SILA BACA DAN SIMPAN PANDUAN INI

**SEBELUM MEMASANG ATAU MENGGUNAKAN UNIT INI, BACA SEMUA ARAHAN DAN TANDA-TANDA AMARAN DALAM MANUAL INI SERTA NOTA PEMASANGAN.**

**BAGI MENGURANGKAN RISIKO KEBAKARAN, RENJATAN ELEKTRIK ATAU KECEDEeraan TERHADAP INDIVIDU, PATUHI PERKARA-PERKARA BERIKUT:**

1. Unit ini tidak dinasihatkan untuk kegunaan individu (termasuk kanak-kanak) yang kurang upaya dari segi fizikal, deria atau akal, atau kurang pengalaman dan pengetahuan, melainkan mereka diawasi atau diberi arahan berkenaan penggunaan unit ini oleh orang yang bertanggungjawab menjaga keselamatan mereka.
2. Jangan guna unit ini untuk tujuan selain membasuh dan mengeringkan tangan. Guna unit ini hanya seperti yang dinasihatkan oleh pengilang. Jika anda ada sebarang pertanyaan, sila hubungi pengilang.
3. Matikan kuasa pada panel servis sebelum menjalankan servis. Pastikan suis dikunci untuk mengelakkan kuasa daripada dihidupkan secara tidak sengaja. Sekiranya alat untuk mematikan kuasa tidak dapat dikunci, pasang peranti amaran yang jelas, seperti tag, pada panel servis.

Kanak-kanak perlu diawasi untuk memastikan mereka tidak bermain dengan unit ini.

**JANGAN GUNAKAN PERALATAN CUCIAN BERTEKANAN UNTUK MEMBERSIHKAN UNIT INI ATAU BERHAMPIRAN UNIT INI.**

### **! AMARAN**

**BAGI MENGURANGKAN RISIKO KEBAKARAN ATAU RENJATAN ELEKTRIK, JANGAN GUNA PERALATAN INI DENGAN SEBARANG PERANTI KAWALAN KELAJUAN KEADAAN PEPEJAL.**

**SEMUA KERJA PEMASANGAN DAN PEMBAIKAN (KERJA PERPAIPAN DAN ELEKTRIK) MESTI DIJALANKAN OLEH ORANG YANG BERTAULIAH ATAU JURUTERA SERVIS DYSON MENGIKUT KOD ATAU PERATURAN SEMASA TEMPATAN.**

### **! AWAS**

Pengering tangan anda harus dipasang di dalam bangunan. Julat suhu operasi adalah 0°C (32°F) sehingga 40°C (104°F). Bagi mengurangkan risiko kebakaran atau renjatan elektrik, jangan dedahkan mekanisme/komponen dalaman unit ini kepada lembapan.

## TERIMA KASIH KERANA MEMILIH UNTUK MEMBELI PENGERING TANGAN DYSON AIRBLADE WASH+DRY

### PERKHIDMATAN PELANGGAN DYSON

Pengering tangan anda dilindungi jaminan selama 5 tahun dari tarikh pembelian, tertakluk kepada syarat-syarat jaminan terhad.

Daftar jaminan anda di: [www.dyson.com](http://www.dyson.com).

Jika anda ada sebarang pertanyaan mengenai pengering tangan anda, sila hubungi Talian Bantuan Dyson dan memberi nombor siri serta butir-butir tempat dan masa anda membeli unit tersebut.

Catitkan nombor siri anda di sini untuk rujukan di masa hadapan.

Nombor siri anda boleh didapati di sudut bawah kanan plat belakang, pada helaian pendaftaran di dalam kotak, dan juga pada pelekat maklumat besa yang boleh didapati pada pili sewaktu anda membuka bungkusan unit ini.



Ilustrasi ini adalah contoh sahaja.

Panduan pemasangan lengkap dilampirkan bersama bungkusan alat pengering tangan ini. Panduan ini mengandungi maklumat terperinci mengenai cara pemasangan unit yang betul bagi unit ini, yang MESTI dipatuhi sepenuhnya, termasuk penghalaan kabel elektrik. Kerosakan yang disebabkan oleh pemasangan yang tidak betul tidak dilindungi oleh jaminan anda.

Anda dinasihatkan supaya memasang penapis dalam saluran bagi mencegah sebarang kerosakan yang boleh menjejaskan jaminan anda.

MY

NOTE: Pastikan anda memegang saluran air sepenuhnya sehingga bebas daripada bendasing, isian kuprum dsb. sebelum menyambungkan produk. Kegagalan untuk berbuat demikian akan merosakkan injap solenoid.

Arahan di dalam manual ini dan panduan pemasangan mesti diikuti sepenuhnya, kerana kegagalan berbuat demikian boleh menyebabkan operasi yang tidak betul, kerosakan harta benda dan/atau kecederaan diri. Disarankan supaya injap pemencilan dipasang pada produk ini semasa pemasangan. Dyson tidak akan bertanggungjawab atas sebarang kerosakan harta benda atau kecederaan diri, atau apa-apa kerugian perniagaan atau pendapatan, jika anda, kakitangan anda, pemasang atau jurutera servis anda tidak mengikuti arahan yang diberikan dalam manual dan panduan pemasangan ini.

## MENJAGA PENGERING TANGAN ANDA

### ⚠️ AMARAN

Produk ini tidak boleh digunakan dalam sinki yang dipasang penyumbat. Sebelum memasukkan aliran air, pastikan lubang sumbat bebas daripada sebarang halangan dan air boleh disalurkan secara bebas.

### CARA PENGGUNAAN

Letakkan tangan anda di bawah pengering tangan Dyson dan ia akan menghasilkan aliran udara untuk meniup air daripada tangan anda.

Untuk pengeringan paling pantas:

- Letakkan tangan anda mendatar dan sejajar dengan permukaan peralatan, kira-kira 5mm dari bilah, sambil menarik tangan anda melalui aliran udara dari pergelangan tangan hinggalah ke hujung jari.
- Gerakkan tangan anda dengan perlahan-lahan melalui aliran udara pada kelajuan yang konsisten, dengan menggilirkan depan dan belakang tangan, kira-kira 2.5 saat setiap permukaan.
- Pastikan tangan anda mendatar, rapatkan jari anda dan pastikan ibu jari juga di - rapatkan supaya seluruh tangan ditarik melalui aliran udara ini.

## PANDUAN PENYELESAIAN MASALAH

### ⚠️ AMARAN: RISIKO RENJATAN ELEKTRIK!

Masalah	Tindakan
Alat pengering tangan gagal dihidupkan.	Periksa dan pastikan fuis/pemutus litar berfungsi dan kuasa disambungkan. Mesti dilakukan oleh juruelektrik yang bertauliah. Pastikan penutup pembersihan ditanggalkan dan sensor dalam keadaan bersih dan tidak terhalang. Jika terdapat kaedah pensuisan yang selamat sedia ada, hidupkan dan matikan unit. Jika kaedah yang selamat tidak didapati, juruelektrik bertauliah mesti melaksanakan tugas ini.
Alat pengering tangan hidup dan mati dengan tidak menentu.	Pastikan sensor bersih dan bebas daripada sebarang halangan. Periksa untuk memastikan kabel sensor daripada pili disambungkan dengan selamat. Mesti dilakukan oleh juruelektrik yang bertauliah.

Kadangkala alat pengering tangan mati semasa sedang digunakan tetapi akan berfungsi semula selepas beberapa ketika.	Periksa salur masuk udara adalah bersih dan bebas daripada sebarang habuk. Keluarkan sebarang habuk daripada salur masuk, jika ada. Pastikan salur masuk udara bebas daripada sebarang halangan dan mempunyai pelepasan yang mencukupi (lihat arahan pemasangan).
Masa pengeringan alat pengering tangan meningkat.	Pastikan gril salur masuk bebas daripada habuk. Periksa penapis dan tukar jika perlu. Pastikan hos udara dipasang dengan selamat ke pangkal pili dan tiada kebocoran berlaku. Mesti dilakukan oleh juruelektrik yang bertauliah.
Udara keluar berterusan daripada alat pengering tangan.	Pastikan sensor bersih dan bebas daripada sebarang halangan.
Tiada udara keluar daripada alat pengering tangan.	Periksa dan pastikan fuis/pemutus litar berfungsi dan kuasa disambungkan. Mesti dilakukan oleh juruelektrik yang bertauliah. Pastikan hos udara dipasang dengan rapi pada dasar kepala pili dan tiada kebocoran berlaku. Mesti dilakukan oleh juruelektrik yang bertauliah. Periksa untuk memastikan kabel sensor daripada pili disambungkan dengan selamat. Mesti dilakukan oleh juruelektrik yang bertauliah.

## PILI

Masalah	Tindakan
Air mengalir berterusan daripada kepala paip.	Pastikan sensor bersih dan bebas daripada sebarang halangan.
Tiada air keluar daripada kepala paip.	Pastikan bekalan kuasa dan air dihidupkan dan injap pemencilan terbuka. Mesti dilakukan oleh juruelektrik bertauliah. Pastikan alat pengudaraan ini bebas daripada serpihan, keluarkan dan bersihkan/gantikan jika perlu.
Air yang keluar daripada kepala paip terlalu panas atau sejuk.	Hubungi Talian Bantuan Dyson.

Jika anda ada sebarang pertanyaan lanjut, sila hubungi Talian Bantuan Dyson.

## PENGGUNAAN DI KAWASAN PENYEDIAAN MAKANAN

Untuk persekitaran persediaan makanan, pemasangan khas diperlukan, yang mesti meliputi baldi motor dan hos sepenuhnya dalam perumah yang boleh dibersihkan atau memasang baldi motor pada permukaan belakang dinding, memberikan ruang lega yang mencukupi untuk pembersihan bahagian di bawah (jika berkenaan) dan memastikan unit berada sekurang-kurangnya 2.5 meter dari makanan yang tidak ditutup atau permukaan makanan yang tidak tertutup.

## PEMBERSIHAN

Alat pengering tangan hendaklah dibersihkan setiap hari.

Lap sensor menggunakan kain yang lembut dan pembersih tidak-kasar kemudian letakkan penutup pembersihan kepada sensor untuk mengelakkan udara dan air daripada diaktifkan. Bersihkan semua permukaan pili, sink, cermin dan mana-mana dinding atau rak. Apabila selesai **JANGAN LUPA** untuk menanggalkan penutup pembersihan. Bersihkan salur masuk udara pada dasar baldi motor (di bawah sink) **SECARA TETAP**. Pastikan lubang sumbat dalam singki tidak tersumbat supaya air boleh mengalir dengan bebas.

## MAKLUMAT PENTING

Jangan mencuci pengering tangan ini dengan peralatan cucian bertekanan.

Semua bahan kimia pembersihan perlu digunakan betul-betul seperti yang dinyatakan oleh arahan pengilang (Termasuk pencairan yang sewajarnya).

Sekiranya produk pencuci dibiarkan pada mesin terlalu lama, satu lapisan akan terbentuk.

Ini boleh mengurangkan keberkesanan permukaan anti-mikrob.

Mana-mana bahan kimia yang hendak digunakan hendaklah terlebih dahulu diuji di kawasan yang tidak menarik perhatian untuk mengesahkan kesesuaian. Selain daripada bahan kimia pembersihan, perlu juga berhati-hati supaya mengelak daripada sebarang cecair berbahaya tersentuh dengan produk, khususnya produk berasaskan minyak dan alkohol.

## GARIS PANDUAN AIR

Alat pengering tangan ini mempunyai pensijilan IP35.

Penggunaan pencuci tekanan boleh menyebabkan air masuk ke dalam perumah.

Kerosakan oleh air yang disebabkan oleh pembersihan yang tidak betul akan mengakibatkan jaminan anda tidak sah.

## TUGAS PENGEPAMAN AUTOMATIK

Unit ini dilengkapi dengan pengepaman air automatik yang tetap yang diaktifkan selama 60 saat setiap 24 jam selepas penggunaan terakhir. Ini membantu mengurangkan genangan air dan pembiakan bakteria di dalam produk.

Sila pastikan bahawa unit ini sentiasa dipasang pada besen yang berfungsi dengan saluran yang bersambung dan tidak tersumbat.

## GARIS PANDUAN PENGGANTIAN SOLENOID

Solenoid pada pengering tangan anda mungkin perlu diganti. Jika anda mengesyaki ini diperlukan, sila hubungi Talian Bantuan Dyson

Apabila menggantikan solenoid, alat pengering tangan mesti diputuskan daripada punca elektrik dan bekalan air. Kegagalan untuk berbuat demikian boleh menyebabkan kecederaan serius dan/atau kerosakan harta benda.

## PENYENGGARAAN PENAPIS

Periksa salur masuk udara dengan kerap untuk memastikan ia bebas daripada habuk dan bendasing. Mengelap injap masuk dengan kain lembut sudah memadai untuk menyingkirkan habuk dan bendasing.

Sekiranya salur masuk udara tersumbat, anda mungkin perlu mencuci sekali lagi atau menukar penapis.

Jika diperlukan untuk persekitaran dengan kadar penggunaan tinggi, kit pengganti penapis Dyson menyediakan segala kelengkapan yang anda perlukan untuk menukar penapis HEPA unit anda di tapak. Hubungi Talian Bantuan Dyson untuk mendapatkan maklumat lanjut.

Pembersihan atau penggantian penapis untuk pengering tangan anda harus dijalankan dengan berhati-hati mengikut arahan yang diberikan dalam kit penukaran penapis.

Jika ragu-ragu, rujuk juruelektik bertauliah atau hubungi Talian Bantuan Dyson untuk mendapatkan sokongan.

## SERVIS

Jika pengering tangan anda memerlukan servis, sila hubungi Talian Bantuan Dyson. Anda boleh juga melayari laman web Dyson di [www.dyson.com](http://www.dyson.com).

## MAKLUMAT PELUPUSAN

Produk Dyson diperbuat daripada bahan boleh kitar semula gred tinggi. Sila lupuskan produk ini secara bertanggungjawab dan kitar semula sekiranya boleh.

## JAMINAN ANDA

### TERMA DAN SYARAT JAMINAN 5 TAHUN DYSON

Jika anda telah mendaftarkan unit anda dalam talian, jaminan anda akan bermula dari tarikh pembelian. Sila simpan bukti pembelian anda. Jika anda tidak mempunyai bukti pembelian, jaminan anda akan bermula 90 hari selepas tarikh pembuatan, mengikut rekod Dyson. Apabila unit ini dijual di luar wilayah UE, jaminan ini hanya sah jika unit dipasang dan digunakan di negara tempat unit dijual.

## APA YANG DILINDUNGI

### JAMINAN 5 TAHUN

Semua bahagian pengering tangan anda yang dikilang dijamin bagi kecacatan bahan dan mutu kerja asal apabila digunakan berlandaskan manual dan panduan pemasangan pemilik bagi tempoh 5 tahun dari permulaan jaminan anda.

Sila hubungi Talian Bantuan Dyson untuk maklumat lanjut:

Sekiranya berlaku kegagalan elektrik, dalam tempoh jaminan berkenaan, Dyson akan menjalankan pembaikan tanpa mengenakan upah kerja.

Penggantian pemasangan baldi motor, penapis dan solenoid tidak dilindungi untuk upah kerja. Jika bahagian-bahagian ini gagal, alat gantinya akan disediakan untuk dipasang di tapak oleh pelanggan sendiri.

Sila hubungi Talian Bantuan Dyson untuk maklumat lanjut:

Jika penapis perlu ditukar, Dyson akan menyediakan kit penukaran penapis yang akan dipasang di tapak oleh pelanggan.

- Mana-mana bahagian yang dikembalikan dan digantikan semula oleh Dyson akan menjadi hak milik Dyson.

- Penggantian mana-mana bahagian unit di bawah Jaminan tidak akan melanjutkan tempoh jaminan.
- Jaminan ini menyediakan faedah tambahan kepada dan tidak menjejaskan apa-apa hak berkanun yang anda mungkin ada sebagai pengguna.

## PERKARA YANG TIDAK DILINDUNGI

Dyson tidak menjamin pembaikan atau penggantian produk akibat:

- Kerosakan yang tidak disengajakan kemalangan, kerosakan yang disebabkan oleh penggunaan atau penjagaan yang cuai, penyalahgunaan secara tidak sengaja atau sengaja, pengabaian, vandalisme, operasi secara cuai atau pengendalian unit yang tidak berlandaskan dengan manual operasi Dyson.
- Penggunaan bahagian yang tidak disambung atau dipasang mengikut arahan Dyson.
- Penggunaan alat ganti dan aksesori yang bukan komponen tulen Dyson.
- Pemasangan yang tidak betul, atau pemasangan yang tidak mengikut arahan pemasangan yang dibekalkan oleh Dyson dengan tepat (kecuali jika dipasang oleh Dyson).
- Pembaikan atau apa-apa pindaan yang dijalankan selain daripada yang berlandaskan arahan oleh Dyson.
- Kerosakan daripada sumber luar seperti transit, cuaca, gangguan bekalan elektrik atau lonjakan kuasa.
- Kerosakan haus dan lusuh biasa (cth. fuis, dll.).
- Kerosakan yang disebabkan oleh pembersihan yang tidak selaras dengan arahan dalam manual ini: contohnya, pembersihan dengan bahan kimia atau produk yang disenaraikan sebagai berbahaya kepada unit.
- Kerosakan yang disebabkan oleh kemasukan air kerana pembersihan atau rawatan yang dilarang dalam manual ini.
- Sebarang kerosakan elektrik, kebanjiran atau kerosakan struktur, atau apa-apa kerugian perniagaan atau pendapatan akibat kegagalan produk. Jika anda tidak pasti tentang apa yang dilindungi dalam jaminan anda, sila hubungi Dyson (butiran pada muka belakang).

## RUMUSAN PERLINDUNGAN

- Anda perlu menyediakan bukti (salinan asal dan juga sebarang salinan berikutnya) penghantaran/pembelian sebelum sebarang kerja boleh dijalankan ke atas perkakas Dyson atau sebelum sebarang alat ganti dibekalkan. Tanpa bukti ini, sebarang kerja yang dijalankan atau alat ganti yang dibekalkan akan dikenakan bayaran. Sila simpan resit atau nota penghantaran anda.
- Tertakluk pada pengecualian di atas, semua kerja yang dilakukan di bawah jaminan ini akan dilakukan oleh Dyson atau ejennya yang sah.

## MAKLUMAT PERLINDUNGAN DATA PENTING

Sewaktu mendaftarkan produk Dyson anda

- Anda perlu memberi kepada kami maklumat hubungan asas untuk mendaftar produk anda dan membolehkan kami menyokong jaminan anda.
- Sewaktu anda mendaftar, anda akan diberi pilihan sama ada ingin menerima komunikasi daripada kami. Jika anda memilih untuk menerima komunikasi daripada Dyson, kami akan menghantar butiran tawaran istimewa dan berita inovasi terbaru kami. Kami tidak sekali-kali menjual maklumat anda kepada pihak ketiga dan hanya menggunakan maklumat yang anda kongsi dengan kami sebagaimana yang ditakrifkan oleh dasar privasi yang boleh didapati di laman web kami: [privacy.dyson.com](http://privacy.dyson.com).

NL

## BELANGRIJKE VEILIGHEIDSINSTRUCTIES

### LEES EN BEWAAR DEZE INSTRUCTIES

**LEES ALLE INSTRUCTIES EN WAARSCHUWINGEN IN DEZE GEBRUIKSHANDLEIDING EN DE INSTALLATIEGIDS ALVORENS DIT APPARAAT TE INSTALLEREN OF GEBRUIKEN.**

**HOUD REKENING MET HET VOLGENDE OM BRAND, ELEKTRISCHE SCHOKKEN OF PERSOONLIJK LETSEL TE VOORKOMEN:**

1. Dit apparaat is niet bedoeld voor gebruik door personen (inclusief kinderen) met beperkte fysieke, zintuiglijke of verstandelijke bekwaamheid, of gebrek aan ervaring en kennis, tenzij iemand die verantwoordelijk is voor hun veiligheid hen begeleidt of instrueert.
2. Dit apparaat mag uitsluitend worden gebruikt voor het wassen en drogen van handen. Gebruik dit apparaat alleen zoals bedoeld door Dyson. Indien u vragen hebt, neem dan contact op met de hulplijn van Dyson.
3. Schakel vóór onderhoudswerkzaamheden de spanning uit bij de hoofdschakelaar. Controleer of de schakelaar is vergrendeld om te voorkomen dat de spanning per ongeluk weer wordt ingeschakeld. Indien de toegang tot de hoofdschakelaar niet kan worden vergrendeld, bevestig dan een duidelijk zichtbare waarschuwing op de hoofdschakelaar.

Houd toezicht op kinderen om te zorgen dat zij het apparaat niet als speelgoed gebruiken.

**GEBRUIK GEEN HOGEDRUKSPUIT OM HET APPARAAT TE REINIGEN OF IN DE BUURT VAN HET APPARAAT TE REINIGEN.**

### WAARSCHUWING

**OM HET RISICO OP BRAND OF ELEKTRISCHE SCHOKKEN TE BEPERKEN, MAG DIT APPARAAT NIET GEBRUIKT WORDEN MET EEN SOLID-STATE SNELHEIDSREGELING**

**ALLE INSTALLATIE- EN REPARATIEWERKZAAMHEDEN (LOODGIETERSWERK EN BEDRADING) DIENEN TE WORDEN UITGEVOERD DOOR EEN GEKWALIFICEERD PERSOON OF DYSON ONDERHOUDSMONTEUR IN OVEREENSTEMMING MET GELDENDE PLAATSELIJKE REGELS OF VOORSCHRIFTEN.**

### LET OP

Uw handdroger dient binnenshuis te worden geplaatst. Omgevingstemperatuurbereik voor bedrijf 0 °C (32 °F) tot 40 °C (104 °F). Om brand of elektrische schokken te voorkomen, mogen de interne mechanismen/componenten van dit apparaat niet worden blootgesteld aan vocht.

## HARTELIJK DANK VOOR UW AANKOOP VAN EEN DYSON AIRBLADE WASH+DRY-HANDDROGER MET KRAAN

### DYSON KLANTENSERVICE

Uw handdroger heeft een garantie van 5 jaar vanaf het moment van aankoop, afhankelijk van de voorwaarden van de beperkte garantie.

Registreer uw garantie vandaag nog op [www.dyson.com](http://www.dyson.com).

Indien u vragen heeft over uw handdroger, bel dan de hulplijn van Dyson en geef uw serienummer door en gegevens over waar/wanneer u de handdroger gekocht hebt.

Noteer uw serienummer voor toekomstig gebruik.

U vindt uw serienummer rechtsonder op het plaatje aan de achterkant, op het registratieformulier in de doos, alsmede op de grote informatiesticker rondom de kraan als u het apparaat uitpakt.



Uitsluitend ter illustratie.

Een uitgebreide installatiegids is bijgevoegd in de verpakking van de handdroger. Hierin staat gedetailleerde informatie over de correcte installatie van het apparaat. Deze MOET exact opgevolgd worden, inclusief de plaatsing van de elektrische kabels. Schade die wordt veroorzaakt als gevolg van een incorrecte installatie wordt niet door uw garantie gedekt. Het wordt aanbevolen een in-line filter te plaatsen om schade te voorkomen die invloed kan hebben op de garantie.

NL

OPMERKING: zorg ervoor dat de watertoevoer volledig vrij is van vuil, kopervijlsel etc. voordat het product wordt gekoppeld. Als dit niet wordt gedaan, kan dit leiden tot schade aan de solenoïdeklep.

De instructies in deze handleiding en de installatiegids dienen volledig te worden opgevolgd. Indien dit niet wordt gedaan, kan dit resulteren in niet correct functioneren, materiële schade en/of persoonlijk letsel. Het wordt aanbevolen dit product tijdens de installatie te voorzien van een afsluitventiel. Dyson is niet aansprakelijk voor materiële schade, persoonlijk letsel, bedrijfsverlies of inkomstenderving bij u, uw installateur of technisch personeel als gevolg van het niet juist opvolgen van de instructies in deze handleiding en de installatiegids.

## UW HANDDROGER ONDERHOUDEN

### ⚠ WAARSCHUWING

Dit product dient niet te worden gebruikt in wasbakken met een plug. Voordat u het water laat stromen, moet u ervoor zorgen dat de afvoer niet verstopt is en het water vrij kan weglopen.

### GEBRUIK

Houd uw handen midden onder het kraantje. Het water blijft automatisch stromen zolang uw handen eronder blijven.

Voor de beste droogtijd resultaten:

- Houd uw handen elk aan een zijde van de middenaftakking om de handdroger te activeren zodat met luchtstromen het water van uw handen wordt geblazen.
- Beweeg uw handen langzaam voorwaarts en achterwaarts door de lucht en draai uw handen om zowel de voor- als achterzijde bloot te stellen aan de luchtstroom.
- Houd uw handen plat, sluit de gaten tussen uw vingers en houd uw duimen in zodat uw hele hand door de luchtstroom beweegt.

## HANDLEIDING VOOR HET OPLOSSEN VAN PROBLEMEN

### ⚠ WAARSCHUWING: KANS OP ELEKTRISCHE SCHOKKEN.

Probleem	Actie
De handdroger start niet.	Controleer of de zekering/aardlekschakelaar werkt en of de spanning en watertoevoer zijn aangesloten. Moet worden uitgevoerd door een gekwalificeerde elektricien. Controleer of het reinigingskapje is verwijderd en of de sensoren schoon en niet verstopt zijn. Schakel het apparaat uit en in, als dit op een veilige manier kan. Als dit niet op een veilige manier kan, moet een gekwalificeerde elektricien deze taak uitvoeren.
De handdroger wordt onregelmatig in- en uitgeschakeld.	Controleer of de sensoren schoon en niet verstopt zijn. Controleer of de sensorkabel vanaf de kraan stevig is aangesloten. Moet worden uitgevoerd door een gekwalificeerde elektricien
De handdroger wordt soms tijdens gebruik uitgeschakeld, maar dan wordt de werking na verloop van tijd weer hervat.	Controleer of de luchtinvoer schoon en stofvrij is. Verwijder stof uit de luchtinlaat. Controleer of de luchtinvoer niet verstopt is en voldoende vrije ruimte heeft (zie installatie-instructies).



De droogtijd van de handdroger is verlengd.	Controleer de inlaat op stof en verwijder dit eventueel. Controleer het filter en vervang dit indien nodig. Controleer of de slang stevig aan de onderzijde van de kraan is bevestigd en er zich geen lekkages voordoen. Moet worden uitgevoerd door een gekwalificeerde elektricien
Er stroomt doorlopend lucht uit de handdroger.	Controleer of de sensoren schoon en niet verstopt zijn.
Er stroomt geen lucht uit de handdroger.	Controleer of de zekering/aardlekschakelaar werkt en of de spanning en watertoevoer zijn aangesloten. Moet worden uitgevoerd door een gekwalificeerde elektricien. Controleer of de luchtslang stevig aan de onderzijde van de kraan is bevestigd en er zich geen lekkages voordoen. Moet worden uitgevoerd door een gekwalificeerde elektricien Controleer of de sensorkabel vanaf de kraan stevig is aangesloten. Moet worden uitgevoerd door een gekwalificeerde elektricien

## KRAAN

Probleem	Actie
Er stroomt doorlopend water uit de kraan.	Controleer of de sensoren schoon en niet verstopt zijn.
Er stroomt geen water uit de kraan.	Controleer of de spanning en watertoevoer zijn aangesloten en of het afsluitventiel geopend is. Moet worden uitgevoerd door een gekwalificeerde elektricien Controleer of de beluchter vrij is van vuil. Verwijder eventueel vuil en reinig of vervang de beluchter zo nodig.
Het water dat uit de kraan stroomt, is te warm of te koud.	Neem contact op met de Dyson Helpline.

Neem bij meer vragen contact op met de hulplijn van Dyson.

## GEBRUIK OP PLEKKEN WAAR VOEDSEL WORDT BEREID

Voor een omgeving van voedselbereiding is een speciale installatie vereist, die de motorbehuizing en slang volledig moet insluiten in een te reinigen behuizing of die de motorbehuizing aan de ommezijde van een wand heeft, die een adequate tussenruimte biedt voor reiniging eronder (indien van toepassing) en die zo is dat het apparaat op tenminste 2,5 meter van onafgedekt voedsel of onafgedekte oppervlakken die in contact staan met voedsel, staat.

## REINIGEN

De handdroger dient dagelijks te worden gereinigd.

Veeg de sensoren af met een zachte doek en niet-schurend reinigingsmiddel en plaats het reinigingskapje vervolgens over de sensoren om te voorkomen dat lucht en water wordt geactiveerd.

Reinig alle kraanoppervlakken, de wasbak, de spiegel en alle muren of werkoppervlakken. Wanneer u hiermee klaar bent, moet u eraan DENKEN om het reinigingskapje te verwijderen.

Reinig de luchtinlaten aan de onderzijde van de motorbehuizing **REGELMATIG** (onder wasbak). Controleer of de afvoer van de wasbak niet verstopt is zodat het water vrij kan weglopen.

## BELANGRIJKE INFORMATIE

Gebruik geen hogedruksluit op de machine.

Bij het gebruik van alle chemische reinigingsmiddelen dienen de instructies van de fabrikant exact te worden opgevolgd (inclusief het verdunnen indien aangegeven).

Als een chemisch reinigingsmiddel te lang op een machine wordt gelaten, zal er zich een dun laagje op afzetten. Dit kan de werkzaamheid van de antibacteriologische oppervlakken verminderen en deze beschadigen.

Alle chemische middelen die mogelijk worden gebruikt, dienen eerst op een onopvallende plek getest te worden om te zien of ze geschikt zijn. Men moet voorzichtig zijn om te vermijden dat schadelijke vloeistoffen (anders dan chemische reinigingsmiddelen) in contact worden gebracht met het product, met name bepaalde producten op olie- of alcoholbasis.

## WATERRICHTLIJNEN

Deze handdroger beschikt over een IP35-certificering.

Door het gebruik van de hogedruksluit kan er water in de behuizing doordringen.

Bij waterschade die wordt veroorzaakt door incorrecte reiniging zal uw garantie komen te vervallen.

## AUTOMATISCHE SPOELING

Het apparaat is uitgerust met een vaste automatische waterspoeling die 24 uur na het laatste gebruik wordt geactiveerd gedurende 60 seconden. Dit helpt bij het reduceren van stagnatie van water en verspreiding van bacteriën binnen het product.

Zorg ervoor dat het apparaat altijd wordt geïnstalleerd boven een functionele wasbak met een vrije en aangesloten afvoer.

## RICHTLIJNEN VOOR SOLENOÏDEVERVANGING

De solenoïde op uw handdroger moet wellicht worden vervangen. Als u vermoedt dat dit het geval is, neemt u contact op met de Dyson Benelux Helpdesk.

Wanneer u de solenoïde vervangt, moeten de spanning en watertoevoer naar de handdroger worden uitgeschakeld. Indien dit niet wordt gedaan, kan dit leiden tot ernstig letsel en/of materiële schade.

## ONDERHOUD VAN HET FILTER

Controleer regelmatig of de luchtinvoer vrij is van stof en vuil. Een zachte doek over de luchtinvoer halen zou moeten voldoen om stof en vuil te verwijderen.

Als de luchtinvoer verstopt raakt, moet er grondiger gereinigd worden of moet het filter mogelijk worden vervangen.

Indien nodig is er voor omgevingen met intensief gebruik een Dyson filtervervangingskit beschikbaar, die alles bevat om het HEPA-filter van uw apparaat op locatie te vervangen.

Neem contact op met de hulplijn van Dyson voor meer informatie.

Reiniging of vervanging van het filter voor uw handdroger kan worden uitgevoerd door de instructies in de filtervervangingskit nauwkeurig op te volgen. Bij enige twijfel, neem contact op met een gekwalificeerde electricien of met de Dyson Benelux Helpdesk voor ondersteuning.

## ONDERHOUD

Als uw handdroger onderhoud behoeft, neem dan contact op met de hulplijn van Dyson. Ga ook naar de website op [www.dyson.com](http://www.dyson.com).

## INFORMATIE OVER WEGGOOIEN

Dyson producten worden gemaakt van hoogwaardige recyclebare materialen. Werp dit product op verantwoorde wijze weg en recycle indien mogelijk.

## UW GARANTIE

### VOORWAARDEN VAN DE DYSON GARANTIE VAN 5 JAAR.

Als u uw apparaat online hebt geregistreerd, begint uw garantie op de dag van aankoop. Bewaar uw aankoopbewijs goed. Als u uw aankoopbewijs niet meer hebt, begint uw garantie 90 dagen na de productiedatum zoals deze bij Dyson vermeld staat.

Indien dit apparaat binnen de EU wordt verkocht, geldt deze garantie uitsluitend (i) als het apparaat wordt geïnstalleerd en gebruikt in het land waarin het werd verkocht, of (ii) als het apparaat wordt geïnstalleerd en gebruikt in België, Duitsland, Frankrijk, Ierland, Italië, Nederland, Oostenrijk, Spanje of het Verenigd Koninkrijk en als hetzelfde model als dit apparaat en met hetzelfde vermogen in het betreffende land wordt verkocht. Indien dit apparaat buiten de EU wordt verkocht, is de garantie alleen van kracht als dit apparaat wordt geïnstalleerd en gebruikt in het land waarin het werd verkocht.

### WAT WORDT GEDEKT DOOR DE GARANTIE

#### 5 JAAR GARANTIE

Alle fabrieksonderdelen van uw handdroger hebben een garantie voor originele defecten, materiaal en de afwerking gedurende vijf jaar vanaf de datum dat de garantie ingaat, mits het apparaat is gebruikt in overeenstemming met de instructies in de gebruikershandleiding en de installatiegids.

Neem voor meer informatie contact op met de Dyson Benelux Helpdesk.

Mochten zich tijdens de garantieperiode elektrische storingen voordoen, dan zal Dyson eventuele reparaties uitvoeren zonder dat arbeidskosten in rekening worden gebracht. Bij vervanging van de motorbehuizing, het filter en de solenoïde worden arbeidskosten in rekening gebracht. Als deze onderdelen defect raken, worden vervangende onderdelen geleverd die de klant ter plaatse kan monteren.

Neem voor meer informatie contact op met de Dyson Benelux Helpdesk.

Wanneer een filter vervangen moet worden, zorgt Dyson voor een filtervervangingskit die de klant ter plaatse kan installeren.

- Onderdelen die worden geretourneerd en door Dyson worden vervangen, worden eigendom van Dyson.
- Door reparatie of vervanging van uw apparaat wordt de garantieperiode niet verlengd.
- De garantie is een aanvulling op uw rechten op grond van de wet en beïnvloedt deze niet.

### WAT WORDT NIET GEDEKT DOOR DE GARANTIE

Dyson geeft geen garantie op reparaties of vervanging van producten als gevolg van de volgende oorzaken:

- Schade door ongelukken, onzorgvuldig gebruik of zorg, onbedoeld of opzettelijk verkeerd gebruik, nalatigheid, vandalisme, onvoorzichtig gebruik of gebruik dat niet geschiedt in overeenstemming met de Dyson gebruikshandleiding.
- Gebruik van onderdelen die niet in overeenstemming met de instructies van Dyson aangesloten of geplaatst zijn.
- Gebruik van andere dan originele Dyson onderdelen en accessoires.
- Onjuiste installatie of installatie waarbij de installatie-instructies van Dyson niet exact worden opgevolgd (met uitzondering van installaties die door Dyson worden uitgevoerd).
- Reparaties of aanpassingen die niet volgens de instructies van Dyson zijn uitgevoerd. Schade door externe oorzaken zoals vervoer, weer, stroomstoring of stroomschommelingen.
- Normale slijtage (bijv. zekering, etc.).
- Schade als gevolg van reiniging die niet volgens de instructies in deze handleiding is uitgevoerd: bijvoorbeeld, reiniging met chemische stoffen of producten waarvan is aangegeven dat deze schadelijk zijn voor het apparaat.
- Schade die wordt veroorzaakt door water dat is binnengedrongen door reiniging of behandeling op een manier die in deze handleiding is verboden.
- Schade van bouwkundige aard, of veroorzaakt door overspanning of overstrooming, of bedrijfsverlies of inkomstenderving als gevolg van productdefecten. Als u twijfels hebt over zaken die door deze garantie worden gedekt, neem dan contact op met Dyson (meer informatie is te vinden op de achterzijde van de omslag).

### OVERZICHT VAN DEKKING

- U dient uw aankoopbewijs en alle eventuele extra documentatie te laten zien voordat er enig onderhoud aan uw apparaat kan worden verricht. Zonder dit bewijs zijn wij verplicht kosten te berekenen. Bewaar uw aankoopbewijs en alle eventuele extra documentatie dus goed.
- Reparaties zullen worden uitgevoerd door Dyson of gecertificeerde agenten.

### BELANGRIJKE INFORMATIE OVER GEGEVENSBESCHERMING

#### BIJ HET REGISTREREN VAN UW DYSON PRODUCT

- U dient ons standaard contactgegevens te geven om uw product te registreren en om ons in staat te stellen om uw garantie te ondersteunen.
- Bij het registreren heeft u de mogelijkheid om te kiezen of u wel of niet communicatie van ons wilt ontvangen. Als u kiest voor het ontvangen van communicatie van Dyson, sturen wij u details van speciale aanbiedingen en nieuws van onze nieuwste innovaties. Wij verkopen uw gegevens nooit aan derden en wij gebruiken alleen gegevens die u met ons deelt zoals gedefinieerd in ons privacybeleid dat beschikbaar is op onze website [privacy.dyson.com](http://privacy.dyson.com).

# NO

## VIKTIGE SIKKERHETSINSTRUKSJONER

### LES OG TA VARE PÅ DISSE INSTRUKSJONENE

**FØR DU INSTALLERER ELLER BRUKER DENNE ENHETEN, MÅ DU LESE ALLE INSTRUKSJONER OG ADVARSLER I DENNE INSTALLASJONSVEILEDNINGEN OG I BRUKERHÅNDBOKEN.**

**SØRG FOR FØLGENDE FOR Å REDUSERE FAREN FOR BRANN, ELEKTRISK STØT ELLER PERSONSKADER:**

1. Dette produktet er ikke beregnet på å brukes av personer (deriblant barn) med reduserte fysiske, sensoriske eller mentale evner, eller med manglende erfaringer og kunnskaper, med mindre de er under oppsyn eller har fått instruksjoner om bruken av utstyret av en person som er ansvarlig for deres sikkerhet.
2. Enheten skal ikke brukes til noe annet enn å vaske og tørke hender. Denne enheten må bare brukes på den måten som er tiltenkt av Dyson. Hvis du har spørsmål, kan du ta kontakt med Dyson Helpline.
3. Før service må strømmen slås av på servicepanelet. Sørg for at bryteren er låst for å forhindre at strømmen slås på utilsiktet. Hvis bryteren som brukes for å slå av strømmen ikke kan låses, må du feste en godt synlig advarsel, for eksempel et merke, på servicepanelet.

Hold øye med barn for å være sikker på at de ikke leker med enheten.

**IKKE BRUK HØYTRYKKSUTSTYR TIL RENGJØRING PÅ ELLER I NÆRHETEN AV DENNE ENHETEN.**

### ADVARSEL

**FOR Å REDUSERE RISIKOEN FOR BRANN ELLER ELEKTRISK STØT, SKAL IKKE DETTE PRODUKTET BRUKES MED SOLID STATE-HASTIGHETSKONTROLLER**

**ALT INSTALLASJONS- OG REPARASJONSARBEID (RØRLEGGING OG ELARBEIDER) SKAL UTFØRES AV EN KVALIFISERT PERSON ELLER EN SERVICETEKNIKER FRA DYSON I SAMSVAR MED GJELDENDE LOKALE FORSKRIFTER OG REGLER.**

### FORSIKTIG

Håndtørkeren skal installeres innendørs. Temperaturen i driftsmiljøet varierer fra 0° C (32° F) til 40° C (104° F). For å redusere faren for brann eller elektrisk støt, må ikke de innvendige mekanismene/komponentene utsettes for fuktighet.

## TAKK FOR AT DU HAR VALGT Å KJØPE EN DYSON AIRBLADE WASH+DRY HÅNDTØRKER

### DYSON KUNDESERVICE

Håndtørkeren har fem års garanti fra kjøpsdatoen, med vilkårene som fremkommer av den begrensede garantien.

Registrer garantien nå på [www.dyson.com](http://www.dyson.com).

Hvis du har spørsmål om håndtørkeren, kan du ringe Dyson Helpline og oppgi serienummer og detaljer om hvor og når du kjøpte produktet.

Skriv ned serienummeret her for fremtidig referanse.

Du finner serienummeret nederst i høyre hjørne på bakplaten, på et registreringsark i esken, samt på et stort klistermerke som er festet til kranen, når den er pakket ut.



Denne illustrasjonen er bare et eksempel.

Det følger en omfattende installasjonsveiledning med håndtørkeren. Den inneholder detaljert informasjon om riktig installasjon av enheten, som MÅ følges nøye, inkludert plassering av elektriske ledninger. Skader som skyldes feilaktig installasjon dekkes ikke av garantien.

Det anbefales å montere et filter i røret for å unngå skade som kan innvirke på garantien.

NO

**MERK:** Påse at restavfall, kobberspon og lignende i vannforsyningen er fullstendig spylt ut før du kobler til produktet.

Instruksjonene i denne brukerhåndboken og i installasjonsveiledningen må følges nøye. Hvis dette ikke gjøres, kan det føre til feil, skade på eiendom og/eller på personer. Du anbefales å montere en isolasjonsventil med dette produktet under installasjonen. Dyson påtar seg ikke ansvaret for eventuelle skader på eiendom eller personer eller tap av omsetning eller inntekter hvis du, dine medarbeidere, din installatør eller serviceteknikere ikke har fulgt instruksjonene i denne brukerhåndboken og i installasjonsveiledningen.

## TA VARE PÅ HÅNDTØRKEREN DIN

### ⚠ ADVARSEL

Dette produktet kan ikke brukes på servanter der det er installert en plugg. Før du kobler til vannet, må du forsikre deg om at avløpshullet ikke er blokkert og at vannet kan renne fritt.

### SLIK BRUKES PRODUKTET

Plasser hendene under Dyson-håndtørkeren, og den vil automatisk blåse luft som skraper vannet av hendene.

For best tørketidsresultat:

- Hold hendene flate og parallelle til apparatoverflaten omtrent 5 mm fra bladet, mens du trekker hendene gjennom luftstrømmen fra håndleddene til fingertuppene.
- Beveg hendene dine sakte gjennom luftstrømmen mens du holder en jevn hastighet, ca. 2,5 sek. på hver side, mens du veksler mellom forsiden og baksiden hver gang.
- Hold hendene flatt, hold fingrene sammen og hold tommelen innovervendt for å sikre at hele hånden din trekkes gjennom luftstrømmen.

### FEILSØKINGSVEILEDNING

#### ⚠ ADVARSEL: FARE FOR ELEKTRISK STØT.

Problem	Handling
Håndtørkeren starter ikke.	Sjekk sikring/automatsikring og om strøm er tilkoblet. Må utføres av godkjent elektriker. Påse at rengjøringshetten er fjernet og at sensorene er rene og uhindret. Hvis enheten har en bryter, slå enheten på og av. Hvis ikke, overlat dette til en elektriker.
Håndtørkeren slår seg uregelmessig på og av.	Påse at sensorene er rene og uhindrede. Sjekk at sensorledningen fra kranen er godt tilkoblet. Må utføres av godkjent elektriker.
Håndtørkeren kobler seg av og på under bruk, men begynner å virke igjen etter en kort tid.	Kontroller at luftinntaket er rent og uten støv. Fjern eventuelt støv fra luftinntaket. Påse at luftinntaket ikke er blokkert og at det har nok klaring (se installasjonsveiledningen).
Tørketiden til håndtørkeren har økt.	Inspiser inntaket for støv, og fjern eventuelt dette. Inspiser filteret og skift det ut etter behov. Påse at slangen sitter godt festet til foten av kranen, og at det ikke er noen lekkasje. Må utføres av godkjent elektriker.
Luften strømmer fra håndtørkeren hele tiden.	Påse at sensorene er rene og uhindrede.

Det kommer ingen luft fra håndtørkeren.	Sjekk sikring/automatsikring og om strøm er tilkoblet. Må utføres av godkjent elektriker. Påse at luftslangen sitter godt festet til basen av kranen og at det ikke er noen lekkasje. Må utføres av godkjent elektriker. Sjekk at sensorledningen fra kranen er godt tilkoblet. Må utføres av godkjent elektriker.
---	--

## KRAN

Problem	Handling
Det renner vann fra kranen hele tiden.	Påse at sensorene er rene og uhindrede.
Det renner ikke noe vann fra kranen.	Påse at strøm- og vannforsyning er tilkoblet og slått på, og at isolasjonsventilen er åpen. Må utføres av godkjent elektriker. Påse at kranfilteret er rent. Ta det ut og rengjør/skift det etter behov.
Vannet fra kranen er altfor varmt eller kaldt.	Ta kontakt med Dyson Helpline.

Hvis du har andre spørsmål, kontakt Dyson Helpline.

## BRUK I OMRÅDER DER DET TILBREDES MATVARER

For miljøer der det forberedes mat, kreves en spesialinstallasjon som lukker motorbrønnen og slangen fullstendig inne i et hus som kan rengjøres, eller der motorbrønnen plasseres på baksiden av en vegg med tilstrekkelig klaring for å rengjøre under den (hvis aktuelt). Dette må være slik at enheten er minst 2,5 meter fra utildekkede matvarer eller utildekkede flater i kontakt med matvarer.

## RENGJØRING

Håndtørkeren bør rengjøres hver dag.

Tørk sensorer med en myk klut og et ikke-slipende rengjøringsmiddel og plasser så rengjøringssetten over sensorene, slik at luft og vann ikke blir aktivert.

Rengjør alle overflatene på kranen, servanten, speil og eventuelle vegger og benkeplater.

Når du er ferdig må du HUSKE å fjerne rengjøringssetten.

Reinig de luchtinlaten aan de onderzijde van de motorbehuizing REGELMATIG (onder wasbak). Controleer of de afvoer van de wasbak niet verstopt is zodat het water vrij kan weglopen.

## VIKTIG INFORMASJON

Maskinen må ikke vaskes med høytrykksspyler.

Alle rengjøringskjemikalier må brukes nøyaktig som angitt av produsenten (inkludert riktig oppløsning).

Hvis et rengjøringsmiddel blir værende på maskinen for lenge, dannes det en film. Dette kan redusere effektiviteten til de antimikrobiske overflatene.

Alle kjemikalier som skal brukes må først testes på et lite synlig område, for å kontrollere at de er egnede. I tillegg til rengjøringskjemikalier, må du unngå at skadelige væsker kommer i kontakt med produktet, spesielt oljer og alkoholbaserte produkter.

## RETNINGSLINJER FOR VANN

Denne håndtørkeren er sertifisert i henhold til IP35.

Bruk av høytrykksspyler kan presse vann inn i enheten.

Vannskader som skyldes feilaktig rengjøring, vil gjøre garantien ugyldig.

## AUTOMATISK VANNSKYLLING

Produktet er utstyrt med automatisk vannskylling som aktiveres i 60 sek. 24 timer etter siste gangs bruk. Dette bidrar til å redusere stillestående vann og bakteriespredning i produktet. Sørg for at produktet alltid er installert over en fungerende vask med tilsluttet avløp.

## RETNINGSLINJER FOR SKIFTE AV SOLENOID

Det kan bli behov for å skifte solenoiden på håndtørkeren. Hvis du mistenker at dette er tilfelle, kontakt Dyson Helpline.

Når du skal skifte solenoiden, må håndtørkeren kobles fra strømmettet og vannforsyningen. Hvis du ikke gjør dette, kan det føre til alvorlig skade på person og/eller eiendom.

## VEDLIKEHOLD AV FILTER

Sjekk luftinntaket jevnlig for å forsikre deg om at det er fritt for støv og rester. Det er nok å tørke inntaket med en myk klut for å fjerne støv og rester.

Hvis luftinntaket blir tilstoppet, kan det være nødvendig med grundigere rengjøring eller skifte av filter.

Hvis det er nødvendig å skifte filter i områder med mye bruk, har et filtersett fra Dyson alt du trenger for å skifte enhetens HEPA-filter på stedet. Ta kontakt med Dyson Helpline for mer informasjon.

Rengjøring eller skifte av filter på håndtørkeren din kan utføres ved å følge instruksjonene i filtersettet nøye. Hvis du er i tvil, må du rådføre deg med en autorisert elektriker eller kontakte Dyson Helpline for å få hjelp.

## SERVICE

Hvis håndtørkeren din trenger service, kan du ringe Dyson Helpline. Du kan også gå til nettstedet [www.dyson.com](http://www.dyson.com).

## INFORMASJON OM AVFALLSHÅNDTERING

Dyson-produkter er laget av førsteklasses gjenvinnbare materialer. Resirkuler når det er mulig.

## DIN GARANTI

### BETINGELSER FOR DYSONS 5 ÅRS GARANTI.

Hvis du har registrert enheten på Internett, starter garantien fra kjøpedatoen.

Ta vare på kjøpebeviset. Hvis du ikke har kjøpebeviset, starter garantien 90 dager etter produksjonsdatoen i henhold til Dysons arkiver.

Der denne enheten selges innenfor EU er garantien gyldig kun (i) når enheten installeres og brukes i det landet der den ble solgt eller (ii), når enheten installeres og brukes i Østerrike, Belgia, Frankrike, Tyskland, Irland, Italia, Nederland, Spania eller Storbritannia, og når den samme modellen selges med samme spenningsverdi i det aktuelle landet. Der denne enheten selges utenfor EU er garantien gyldig kun når enheten installeres og brukes i det landet der den ble solgt.

## HVA SOM DEKKES

### 5 ÅRS GARANTI

Alle fabrikkdeler på din håndtørker garanteres mot opprinnelige defekter på materialer og utførelse i en periode på fem år fra starten på garantien, dersom den er brukt i samsvar med brukerhåndboken og installasjonsveiledningen.

Ring Dyson helpline for mer informasjon.

Ved eventuelle elektriske feil innenfor garantiperioden vil Dyson utføre reparasjon uten tillegg for arbeidslønn.

Arbeid og kostnader knyttet til utskifting av hele motordekslet, filter og magnetventil dekkes av kunden. Ved feil på disse delene vil Dyson skaffe nye deler som kunden kan installere på stedet.

Ring Dyson helpline for mer informasjon.

Der det er nødvendig med bytte av filter, vil Dyson skaffe et filtersett som kunden kan installere på stedet.

- Alle deler som returneres og skiftes ut av Dyson blir Dysons eiendom.
- Reparasjon eller utskifting av din enhet under garanti vil ikke forlenge garantiperioden.
- Garantien gir fordeler som kommer i tillegg til og ikke påvirker eventuelle lovbestemte rettigheter du har som forbruker.

### HVA SOM IKKE DEKKES

Dysons garanti omfatter ikke reparasjon og utskifting av et produkt når feil og mangler er et resultat av:

- Skade ved uhell, feil som oppstår som følge av feilaktig bruk eller vedlikehold, utilsiktet eller eller tilsiktet misbruk, forsømmelse, hærverk, uansvarlig bruk eller håndtering av enheten som ikke samsvarer med Dysons brukerhåndbok.
- Bruk av deler som ikke er satt sammen eller installert i henhold til Dysons instruksjoner.
- Bruk av deler og tilbehør som ikke er originaldeler fra Dyson.
- Feilaktig installasjon eller installasjon som ikke samsvarer nøyaktig med installasjonsinstruksjonene fra Dyson (unntatt hvis installert av Dyson).
- Reparasjoner eller endringer som ikke samsvarer med instruksjonene fra Dyson.
- Skader fra eksterne kilder som for eksempel flytting, værforhold, strømbrudd eller strømsvingninger.
- Normal slitasje (f.eks. sikringer osv.).
- Skader forårsaket av rengjøring som ikke er i tråd med instruksjonene i denne brukerhåndboken: for eksempel rengjøring med kjemikalier eller produkter som er oppført som skadelige for enheten.
- Skader som skyldes inntrengning av vann på grunn av rengjøring eller behandling som forbys i denne håndboken.
- Skader som skyldes elektrisitet, oversvømmelse eller strukturelle mangler, eller forretningstap eller tap av inntekt som følge av produktfeil. Hvis du er i tvil om hva som dekkes av garantien, kan du ta kontakt med Dyson (nærmere opplysninger på baksiden).

### SAMMENDRAG AV DEKNING

- Før det kan utføres arbeid på Dyson-produktet eller erstatningsdeler kan sendes, må du legge frem kjøpebevis/følgeseddel (både original og eventuelt etterfølgende).
- Alt arbeid i forbindelse med mangler utføres av Dyson eller Dysons autoriserte agenter.

## VIKTIG INFORMASJON OM DATABESKYTTELSE

### NÅR DU REGISTRERER DYSON-PRODUKTET DITT

- Du må oppgi grunnleggende kontaktopplysninger til oss for å registrere produktet ditt og gjøre det mulig å støtte garantien din.
- Når du registrerer deg, får du mulighet til å velge om du vil motta kommunikasjon fra oss. Hvis du velger å motta kommunikasjon fra Dyson, sender vi deg informasjon om spesialtilbud og nyheter om våre nyeste oppfinnelser. Vi vil aldri selge opplysningene dine til tredjeparter, og bare bruke opplysningene som du deler med oss, som definert av personvernerklæringene på nettstedet vårt [privacy.dyson.com](https://www.dyson.com/privacy).

PL

## WAŻNE INSTRUKCJE DOTYCZĄCE BEZPIECZEŃSTWA

### PRZECZYTAJ I ZACHOWAJ NINIEJSZĄ INSTRUKCJĘ

**PRZED ROZPOCZĘCIEM MONTAŻU I UŻYTKOWANIA TEGO URZĄDZENIA NALEŻY SIĘ ZAPOZNAĆ ZE WSZYSTKIMI INSTRUKCJAMI I ZNAKAMI OSTRZEGAWCZYMI ZAMIESZCZONYMI W NINIEJSZEJ INSTRUKCJI MONTAŻU I PODRĘCZNIKU UŻYTKOWNIKA.**

**ABY ZMNIJSZYĆ RYZYKO POŻARU, PORAŻENIA PRĄDEM ELEKTRYCZNYM LUB ODNIESIENIA OBRAŻEŃ CIAŁA, NALEŻY PRZESTRZEGAĆ PONIŻSZYCH ZALECEŃ.**

1. Niniejsze urządzenie nie jest przeznaczone do użytkowania przez osoby (w tym dzieci) o ograniczonych możliwościach fizycznych, czuciowych lub umysłowych lub nieposiadające doświadczenia i wiedzy odpowiednich do jego obsługi, o ile nie otrzymały one instrukcji dotyczących użytkowania urządzenia lub nie znajdują się pod opieką osoby odpowiedzialnej za ich bezpieczeństwo.
2. Urządzenia należy używać jedynie do mycia i suszenia rąk. Urządzenie należy użytkować wyłącznie zgodnie z przeznaczeniem określonym przez firmę Dyson. W razie pytań należy kontaktować się z infolinią firmy Dyson.
3. Przed przystąpieniem do serwisowania urządzenia wyłączyć zasilanie na panelu serwisowym. Zablokować wyłącznik, aby zapobiec przypadkowemu włączeniu zasilania. Jeśli wyłącznika zasilania nie da się zablokować, do panelu serwisowego należy porządnie przymocować rzucające się w oczy ostrzeżenie, na przykład tabliczkę.

Nie zezwalać dzieciom na zabawę urządzeniem.

**DO CZYSZCZENIA URZĄDZENIA I JEGO OKOLICY NIE NALEŻY UŻYWAĆ MYJEK CIŚNIENIOWYCH.**

## **!** OSTRZEŻENIE

**ABY ZMNIJSZYĆ RYZYKO POŻARU LUB PORAŻENIA PRĄDEM ELEKTRYCZNYM, NIE WOLNO KORZYSTAĆ Z URZĄDZENIA Z JAKIMKOLWIEK PÓŁPRZEWODNIKOWYM REGULATOREM PRĘDKOŚCI**

**WSZELKIE PRACE MONTAŻOWE I NAPRAWCZE (ZARÓWNO HYDRAULICZNE, JAK I ELEKTRYCZNE) POWINNY BYĆ WYKONYWANE PRZEZ WYKWALIFIKOWANĄ OSOBĘ LUB SERWISANTA FIRMY DYSON, ZGODNIE Z LOKALNYMI NORMAMI I PRZEPISAMI.**

## **!** PRZESTROGA

Suszarkę do rąk należy montować w pomieszczeniach zamkniętych. Zakres temperatury roboczej: od 0°C do 40°C. Aby zmniejszyć ryzyko pożaru lub porażenia prądem elektrycznym, nie wystawiać wewnętrznych mechanizmów/podzespołów urządzenia na działanie wilgoci.

## DZIĘKUJEMY ZA ZAKUP SUSZARKI DO RĄK DYSON AIRBLADE WASH+DRY

### DZIAŁ OBSŁUGI KLIENTA FIRMY DYSON

Ta suszarka do rąk jest objęta 5-letnią gwarancją, licząc od daty zakupu, zgodnie z warunkami ograniczonej gwarancji.

Zarejestruj teraz gwarancję w witrynie [www.dyson.com](http://www.dyson.com).

W razie pytań dotyczących suszarki do rąk należy się skontaktować z infolinią firmy Dyson, podając numer seryjny i informacje dotyczące miejsca i daty zakupu urządzenia.

Tutaj należy wpisać numer seryjny, aby móc później z niego korzystać.

Numer seryjny umieszczony jest w prawym dolnym rogu płyty tylnej, na karcie rejestracji w opakowaniu oraz na dużej naklejce informacyjnej, widocznej wokół zaworu urządzenia po jego rozpakowaniu.



Ta ilustracja służy wyłącznie jako przykład.

Szczegółowa instrukcja montażu znajduje się w opakowaniu suszarki do rąk.

Zawiera ona szczegółowe informacje na temat prawidłowego montażu urządzenia, łącznie z zaleceniami dotyczącymi prowadzenia przewodów elektrycznych, których przestrzeganie jest **OBOWIĄZKOWE**. Gwarancja nie obejmuje uszkodzeń powstałych w wyniku nieprawidłowego montażu.

W celu uniknięcia uszkodzeń mogących unieważnić gwarancję zaleca się zamocowanie wbudowanego filtra.

**UWAGA:** przed podłączeniem produktu należy się upewnić, że z przewodu doprowadzającego wodę wypłukano wszystkie zanieczyszczenia, drobinki miedzi itp. Niezastosowanie się do tego zalecenia spowoduje uszkodzenie zaworu elektromagnetycznego.

PL

Należy bezwarunkowo przestrzegać zaleceń podanych w tej instrukcji oraz w instrukcji montażu — zlekceważenie tego nakazu może spowodować nieprawidłowe działanie urządzenia, szkody materialne i/lub obrażenia ciała. Podczas montażu tego urządzenia zaleca się zamontowanie zaworu odcinającego. Firma Dyson nie ponosi odpowiedzialności za szkody materialne, obrażenia ciała, pogorszenie warunków prowadzenia działalności ani za utracone dochody w przypadku nieprzestrzegania zaleceń podanych w niniejszej instrukcji oraz w instrukcji montażu przez użytkownika, jego pracowników, instalatora lub serwisantów.

## KONSERWACJA SUSZARKI DO RĄK

### ⚠️ OSTRZEŻENIE

Nie można korzystać z urządzenia, gdy w umywalce jest założony korek. Przed uruchomieniem przepływu wody należy upewnić się, że odpływ jest drożny i że woda może służyć swobodnie.

### SPOSÓB UŻYTKOWANIA

Umieść dłoń pod środkiem baterii umywalkowej — nastąpi automatyczne uruchomienie przepływu wody, który zakończy się dopiero po cofnięciu dłoni.

Aby uzyskać optymalny czas suszenia:

- Umieść dłoń po obu stronach baterii umywalkowej w celu uruchomienia suszarki do rąk, która ściąga wodę z dłoni, wytwarzając strumienie powietrza.
- W strumieniu powietrza powoli przesuwaj dłoń do tyłu i do przodu, odwracając je, tak aby obie strony dłoni były wystawione na działanie strumienia powietrza.
- Ułóż dłoń płasko, palce zsuń razem i przyciągnij kciuki do dłoni, aby cała dłoń przechodziła przez strumień powietrza.

## WYKRYWANIE I USUWANIE USTEREK

### ⚠️ OSTRZEŻENIE: NIEBEZPIECZEŃSTWO PORAŻENIA PRĄDEM ELEKTRYCZNYM.

Problem	Rozwiązanie
Suszarka do rąk nie uruchamia się.	Sprawdź, czy włączony jest bezpiecznik/ wyłącznik oraz czy podłączone jest źródło zasilania i źródło wody. Czynność musi zostać przeprowadzona przez wykwalifikowanego elektryka. Upewnij się, że nakładka zabezpieczająca do czyszczenia jest zdjęta oraz że czujniki są czyste i niezastłonięte. Jeśli jest dostępna metoda bezpiecznego wyłączania, wówczas należy włączyć i wyłączyć urządzenie. W przeciwnym razie do wykonania tego zadania należy wezwać elektryka.

Suszarka do rąk włącza się i wyłącza w sposób nieregularny.	Sprawdź, czy czujniki są czyste i niezastłonięte. Sprawdź, czy kabel czujnika wychodzący z baterii umywalkowej jest dobrze podłączony. Czynność musi zostać przeprowadzona przez wykwalifikowanego elektryka.
Suszarka do rąk czasem wyłącza się podczas pracy i włącza się ponownie po upływie pewnego czasu.	Sprawdź, czy wlot powietrza nie jest zabrudzony ani zakurzony. Usunąć kurz z wlotu powietrza. Sprawdź, czy we wlocie powietrza nie ma przeszkód oraz czy wlot powietrza znajduje się w wystarczającym odstępnie (patrz instrukcja montażu).
Czas suszenia rąk wydłużył się.	Sprawdź, czy we wlocie powietrza znajduje się kurz. Jeśli tak — usuń go. Sprawdź filtr i w razie potrzeby go wymień. Upewnij się, że wąż jest dobrze przymocowany do podstawy baterii umywalkowej i że nie ma żadnych nieszczelności. Czynność musi zostać przeprowadzona przez wykwalifikowanego elektryka.
Strumień powietrza ciągle wypływa z suszarki do rąk.	Sprawdź, czy czujniki są czyste i niezastłonięte.
Powietrze nie wypływa z suszarki do rąk.	Sprawdź, czy włączony jest bezpiecznik/ wyłącznik oraz czy podłączone jest źródło zasilania i źródło wody. Czynność musi zostać przeprowadzona przez wykwalifikowanego elektryka. Upewnij się, że przewód powietrza jest dobrze przymocowany do podstawy baterii umywalkowej i że nie ma żadnych nieszczelności. Czynność musi zostać przeprowadzona przez wykwalifikowanego elektryka. Sprawdź, czy kabel czujnika wychodzący z baterii umywalkowej jest dobrze podłączony. Czynność musi zostać przeprowadzona przez wykwalifikowanego elektryka.



## ZAWÓR

Problem	Rozwiązanie
Woda ciągle wypływa z zaworu.	Sprawdź, czy czujniki są czyste i niezastonięte.
Woda nie wypływa z zaworu.	Upewnij się, że źródło zasilania i źródło wody są włączone oraz że zawór odcinający jest otwarty. Czynność musi zostać przeprowadzona przez wykwalifikowanego elektryka. Upewnij się, że napowietrzacz nie jest zanieczyszczony. W razie potrzeby wyjmij go i oczyść lub wymień.
Woda wypływająca z zaworu jest zbyt ciepła lub zbyt zimna.	Skontaktuj się z infolinią firmy Dyson.

W przypadku jakichkolwiek dodatkowych pytań należy skontaktować się z infolinią firmy Dyson.

## UŻYTKOWANIE W OBSZARACH PRZYGOTOWANIA ŻYWNOŚCI

Szczególne warunki montażu są wymagane w obszarach przygotowania żywności, gdzie wymagane jest całkowite zamknięcie komory silnika oraz węża w nadającej się do czyszczenia obudowie albo umieszczenie komory silnika po drugiej stronie ściany, zapewnienie odpowiedniej ilości wolnego miejsca do utrzymania czystości pod urządzeniem (jeśli dotyczy) oraz możliwości zamontowania urządzenia w odległości co najmniej 2,5 metra od niezabezpieczonej żywności lub niezabezpieczonych powierzchni mających kontakt z żywnością.

## CZYSZCZENIE

Suszarkę do rąk należy czyścić codziennie.

Wytrzyj czujniki miękką ściereczką i środkiem czyszczącym niepowodującym zarysowań, a następnie nałóż nakładkę zabezpieczającą do czyszczenia na czujniki, aby nie doszło do aktywacji powietrza i wody.

Wyczyść wszystkie powierzchnie baterii umywalkowej, umywalkę, lustro oraz wszystkie ściany i blaty. Po zakończeniu PAMIĘTAJ o zdjęciu nakładki zabezpieczającej do czyszczenia. **REGULARNIE** czyść wloty powietrza znajdujące się w podstawie komory silnika (pod umywalką). Upewnij się, że otwór odpływowy w zlewie jest drożny, tak aby woda mogła spływać swobodnie.

## WAŻNE INFORMACJE

Nie wolno myć urządzenia wodą pod ciśnieniem.

Środków chemicznych do czyszczenia należy używać zgodnie z zaleceniami producenta (uwzględniając odpowiednie rozcieńczenie).

Pozostawienie środka chemicznego do czyszczenia na powierzchni urządzenia przez zbyt długi czas może spowodować wytworzenie się na nim cienkiej powłoki. Może ona zmniejszyć skuteczność działania powierzchni antybakteryjnej oraz ją uszkodzić.

Przed użyciem środków chemicznych należy sprawdzić ich działanie na niewidocznych powierzchniach urządzenia. Nie należy narażać urządzenia na kontakt ze szkodliwymi płynami (innymi niż środki chemiczne do czyszczenia), zwłaszcza z produktami ropopochodnymi i produktami wytwarzanymi na bazie alkoholi.

## ZALECENIA DOTYCZĄCE WODY

Stopień ochrony suszarki do rąk to IP35.

Woda z myjki ciśnieniowej może zostać wtłoczona do wnętrza obudowy.

Uszkodzenia spowodowane zalaniem w wyniku nieprawidłowego czyszczenia spowodują utratę gwarancji.

## AUTOMATYCZNE PŁUKANIE

Urządzenie jest wyposażone w automatyczny mechanizm płukania, który włącza się na 60 sekund po 24 godzinach od ostatniego momentu użytkowania. Zapobiega to zastojom wody i pozwala ograniczyć rozwój bakterii wewnątrz urządzenia.

Urządzenie musi zawsze znajdować się nad działającą umywalką, do której jest podłączony drożny odpływ.

## WSKAZÓWKI DOTYCZĄCE WYMIANY ZAWORU ELEKTROMAGNETYCZNEGO

Konieczna może być wymiana zaworu elektromagnetycznego w suszarce do rąk. W takim przypadku należy skontaktować się z infolinią firmy Dyson.

Przed wymianą zaworu elektromagnetycznego należy odłączyć suszarkę do rąk od zasilania oraz odciąć źródło wody. Niezastosowanie się do tego zalecenia może spowodować poważne obrażenia ciała i/lub szkody materialne.

## KONSERWACJA FILTRA

Należy regularnie sprawdzać, czy we wlocie powietrza nie ma kurzu ani zanieczyszczeń.

Wycieranie wlotu miękką ściereczką powinno wystarczyć do usunięcia kurzu i zanieczyszczeń. Jeśli wlot powietrza jest częściowo lub całkowicie zatkany, może być konieczne dokładniejsze czyszczenie lub wymiana filtra.

W razie potrzeby w przypadku środowisk o wysokiej intensywności użytkowania urządzenia można skorzystać z zestawu do wymiany filtra firmy Dyson umożliwiającego wymianę filtra HEPA na miejscu. Szczegółowych informacji udziela infolinia firmy Dyson.

Czyszczenie lub wymianę filtra suszarki do rąk można wykonać, postępując dokładnie według instrukcji dołączonych do zestawu do wymiany filtra. W razie jakichkolwiek wątpliwości należy się skonsultować z uprawnionym elektrykiem lub infolinią firmy Dyson w celu otrzymania pomocy.

## SERWISOWANIE

Jeśli suszarka do rąk wymaga serwisowania, należy się skontaktować z infolinią firmy Dyson. Można również odwiedzić witrynę [www.dyson.com](http://www.dyson.com).

## INFORMACJE O UTYLIZACJI

Produkty firmy Dyson są wytwarzane z wysokiej jakości materiałów nadających się do recyklingu. Produkt należy utylizować odpowiedzialnie i oddać do powtórnego przetworzenia, jeśli jest to możliwe.

## GWARANCJA

### WARUNKI I ZAKRES 5-LETNIEJ GWARANCJI FIRMY DYSON.

Po rejestracji urządzenia na stronie internetowej gwarancja obowiązuje od daty zakupu. Zachować dowód zakupu. W przypadku braku dowodu zakupu okres gwarancyjny rozpoczyna się 90 od daty produkcji zgodnie z dokumentacją firmy Dyson.

W przypadku sprzedaży jednostki na terenie UE niniejsza gwarancja będzie ważna (i) w przypadku instalacji jednostki i korzystania z niej w kraju, w którym została sprzedana, lub (ii) w przypadku instalacji jednostki i korzystania z niej na terenie Austrii, Belgii, Francji, Irlandii, Holandii, Hiszpanii Niemiec, Wielkiej Brytanii lub Włoch oraz w przypadku sprzedaży takiego samego modelu jednostki o takim samym napięciu w odpowiednim kraju. W przypadku sprzedaży jednostki poza granicami UE niniejsza gwarancja będzie ważna jedynie w przypadku instalacji jednostki i korzystania z niej w kraju, w którym została sprzedana.

### GWARANCJA OBEJMUJE

#### 5-LETNIA GWARANCJA

Wszystkie montowane fabrycznie elementy suszarki do rąk będą sprawne i wolne od wad materiałowych oraz produkcyjnych przez pięć lat od początku okresu gwarancyjnego w przypadku użytkowania urządzenia zgodnie z wytycznymi podanymi w instrukcji i podręczniku montażu dla użytkownika.

Szczegółowych informacji udziela infolinia firmy Dyson.

W przypadku awarii elektrycznej firma Dyson przeprowadzi w trakcie okresu gwarancyjnego naprawę bez pobierania opłaty za robociznę.

Wymiana obudowy silnika, filtra ani zaworu elektromagnetycznego nie jest objęta gwarancją. W przypadku awarii części zamienne zostaną dostarczone do zamontowania na miejscu eksploatacji przez Klienta.

Szczegółowych informacji udziela infolinia firmy Dyson.

W przypadku konieczności wymiany filtra firma Dyson dostarczy zestaw do wymiany filtra do zamontowania na miejscu eksploatacji przez Klienta.

- Wszelkie części, które zostaną zwrócone lub wymienione przez firmę Dyson, stają się jej własnością.
- Naprawa lub wymiana urządzenia w okresie gwarancji nie przedłuża tego okresu.
- Gwarancja dostarcza korzyści wykraczające poza ustawowe prawa konsumenta i nie wpływa na te prawa w żaden sposób.

### GWARANCJA NIE OBEJMUJE

Firma Dyson nie gwarantuje naprawy lub wymiany produktu uszkodzonego wskutek:

- Przypadkowego uszkodzenia, nieprawidłowego albo nieostrożnego użycia lub konserwacji, użycia urządzenia niezgodnie z przeznaczeniem, niestaranności, nieostrożnej obsługi lub przenoszenia urządzenia niezgodnie z instrukcją obsługi.
- Użycia części zamontowanych niezgodnie z instrukcjami firmy Dyson.

- Użycia części i akcesoriów innych niż oryginalne części i akcesoria Dyson.
- Nieprawidłowego lub niezgodnego z instrukcjami dostarczonymi przez firmę Dyson montażu (z wyjątkiem montażu dokonanego przez firmę Dyson).
- Napraw lub zmian dokonanych niezgodnie z zaleceniami firmy Dyson.
- Uszkodzeń spowodowanych przez czynniki zewnętrzne, takie jak transport, czynniki atmosferyczne, przerwy w zasilaniu, przepięcia itp.
- Normalnego zużycia w trakcie eksploatacji (bezpieczniki itp.).
- Uszkodzenia spowodowanego czyszczeniem niezgodnym z zaleceniami podanymi w tej instrukcji: na przykład w wyniku czyszczenia środkami chemicznymi lub produktami wymienionymi jako szkodliwe dla urządzenia.
- Uszkodzeń spowodowanych wniknięciem wody podczas czyszczenia lub obsługą wymienioną w tej instrukcji jako zabroniona.
- Jakiegokolwiek uszkodzenia instalacji elektrycznej, konstrukcji lub zalania, bądź strat związanych z prowadzeniem działalności lub utraty przychodów w wyniku usterki urządzenia. W razie jakichkolwiek wątpliwości dotyczących zakresu ochrony gwarancyjnej należy skontaktować się z firmą Dyson (szczegóły na tylnej okładce).

### PODSUMOWANIE GWARANCJI

- Warunkiem przeprowadzenia jakichkolwiek prac serwisowych związanych z urządzeniem jest okazanie dowodu zakupu i karty gwarancyjnej firmy AGED. W przypadku braku tych dokumentów wszelkie prace będą dokonywane odpłatnie. Prosimy o zachowanie dowodu zakupu i karty gwarancyjnej firmy AGED.
- Wszelkie prace przeprowadzane będą przez autoryzowanych serwisantów Dyson.

### WAŻNE INFORMACJE DOTYCZĄCE OCHRONY DANYCH

#### W PRZYPADKU REJESTROWANIA PRODUKTU FIRMY DYSON

- Aby zarejestrować produkt i umożliwić nam obsługę gwarancyjną, należy podać podstawowe dane kontaktowe.
- Proces rejestracji obejmuje możliwość wyrażenia zgody na otrzymywanie od nas wiadomości. Jeśli wyrazisz zgodę na otrzymywanie wiadomości od firmy Dyson, wówczas będziemy wysyłać szczegółowe informacje o ofertach specjalnych i powiadomienia o naszych innowacjach. Danych kontaktowych nigdy nie sprzedamy innym firmom. Używamy ich tylko zgodnie z naszą polityką prywatności, która jest dostępna w naszej witrynie:
- [privacy.dyson.com](https://www.privacy.dyson.com).

# PT

## INSTRUÇÕES DE SEGURANÇA IMPORTANTES

### LEIA E GUARDE ESTAS INSTRUÇÕES

ANTES DE INSTALAR OU UTILIZAR ESTA UNIDADE, LEIA TODAS AS INSTRUÇÕES E MARCAÇÕES DE ALERTA PRESENTES NESTE MANUAL E NO GUIA DE INSTALAÇÃO.

PARA REDUZIR O RISCO DE INCÊNDIO, CHOQUE ELÉTRICO OU FERIMENTOS PESSOAIS, OBSERVE O SEGUINTE:

1. Esta unidade não se destina a ser usada por pessoas (incluindo crianças) com capacidades físicas, sensoriais ou de raciocínio reduzidas ou falta de experiência e conhecimento, a menos que sejam supervisionadas ou instruídas relativamente ao uso da unidade por uma pessoa responsável pela sua segurança.
2. Não permita que a unidade seja utilizada para outro fim que não a lavagem e secagem de mãos. Utilize esta unidade apenas da forma pretendida pela Dyson. Em caso de dúvida, contacte a Linha de Assistência da Dyson.
3. Antes de proceder à manutenção, desligue o equipamento no painel de serviço. Certifique-se de que o interruptor está bloqueado para evitar que a corrente seja ligada acidentalmente. Se não for possível bloquear os meios de desativação da corrente, prenda firmemente ao painel de manutenção um meio de aviso bem evidente, como uma etiqueta.

Deve-se vigiar as crianças para garantir que não brinquem com a unidade.

**NÃO USE QUALQUER EQUIPAMENTO DE LAVAGEM POR JATO DE ÁGUA PARA A LIMPEZA DESTA UNIDADE OU PRÓXIMO DA MESMA.**

### AVISO

PARA REDUZIR O RISCO DE INCÊNDIO OU CHOQUE ELÉTRICO, NÃO UTILIZE ESTA UNIDADE COM UM DISPOSITIVO DE CONTROLO DE VELOCIDADE DE ESTADO SÓLIDO.

TODOS OS TRABALHOS DE INSTALAÇÃO E REPARAÇÃO (CANALIZAÇÃO E ELÉTRICOS) DEVEM SER EXECUTADOS POR UMA PESSOA QUALIFICADA OU UM TÉCNICO DE MANUTENÇÃO DA DYSON, DE ACORDO COM OS REGULAMENTOS OU NORMAS LOCAIS ATUAIS.

### CUIDADO

O seu secador de mãos deve ficar colocado num espaço interior. Intervalo da temperatura ambiente 0°C (32°F) a 40°C (104°F). Para reduzir o risco de incêndio ou choque elétrico, não exponha os mecanismos/componentes internos desta unidade à humidade.

## OBRIGADO POR OPTAR PELA COMPRA DE UM SECADOR DE MÃOS DE TORNEIRA AIRBLADE WASH+DRY DA DYSON

### SERVIÇO DE APOIO AO CLIENTE DA DYSON

O seu secador de mãos possui uma garantia de 5 anos a partir da data da compra, sujeita aos termos da garantia limitada.

Registe já a sua garantia em [www.dyson.com](http://www.dyson.com).

Se tiver quaisquer dúvidas acerca do seu secador de mãos, ligue para a Linha de Assistência da Dyson com o seu número de série e pormenores sobre o local e a data de compra da sua unidade.

Anote aqui o seu número de série para consulta futura.

O seu número de série encontra-se no canto inferior direito da placa traseira, numa folha de registo na caixa e também num autocolante informativo à volta da torneira, que pode ser visto quando a unidade é desembalada.



Esta ilustração destina-se apenas a servir de exemplo.

A embalagem do secador de mãos inclui um guia de instalação pormenorizado. Este contém informações específicas sobre a instalação correta da unidade, às quais TEM de obedecer na totalidade, incluindo as que se referem ao encaminhamento dos cabos elétricos. Os danos causados por uma instalação incorreta não estão cobertos pela sua garantia.

A colocação de um filtro em linha é aconselhável para impedir que quaisquer danos possam afetar a sua garantia.

PT

NOTA: certifique-se de que o fornecimento de água foi completamente limpo de resíduos, limalhas de cobre, etc. antes de ligar ao produto. A não verificação disto danificará a válvula solenoide.

As instruções deste manual e do guia de instalação devem ser seguidas na totalidade, já que o incumprimento das mesmas pode resultar em funcionamento incorreto, danos materiais e/ou ferimentos pessoais. É recomendável que uma válvula de isolamento seja montada com este produto durante a instalação. A Dyson não poderá ser responsabilizada por quaisquer danos materiais ou ferimentos pessoais ou qualquer perda de negócios ou receitas, caso o adquirente, o seu pessoal, o seu instalador ou os técnicos de manutenção não tenham seguido as instruções contidas neste manual e no guia de instalação.

## CUIDADOS COM O SEU SECADOR DE MÃOS

### ⚠ AVISO

Este produto não se destina a ser utilizado em lavatórios onde exista um ralo vedado. Antes de ativar o caudal de água certifique-se de que o ralo vedado está livre de obstruções e que a água pode drenar livremente.

### COMO UTILIZAR

Coloque as suas mãos por baixo do secador de mãos da Dyson e este criará automaticamente lâminas de ar para tirar a água das suas mãos.

Para os melhores resultados de tempo de secagem:

- Mantenha as suas mãos abertas e paralelas à superfície do aparelho, a aproximadamente 5 mm da lâmina, movendo as suas mãos através do fluxo de ar, desde os pulsos até às pontas dos dedos.
- Mova as suas mãos lentamente através do fluxo de ar, mantendo uma velocidade consistente, aproximadamente 2,5 segundos para cada lado, alternando entre a frente e as costas das mãos.
- Mantenha as suas mãos abertas, feche as aberturas entre os seus dedos e junte os polegares para garantir que a mão toda se move através do fluxo de ar.

## GUIA DE RESOLUÇÃO DE PROBLEMAS

### ⚠ AVISO: RISCO DE CHOQUE ELÉTRICO.

Problema	Ação
○ secador de mãos não arranca.	Verifique se o fusível/disjuntor funcionam e se o fornecimento elétrico e de ar estão ligados. Tem de ser efetuado por um eletricista qualificado. Certifique-se de que a tampa de limpeza é removida e que os sensores estão limpos e desobstruídos. Caso se encontre disponível um método de ativação seguro, ligue e desligue o aparelho. Caso não se encontre disponível um método de ativação seguro, esta tarefa deve ser executada por um eletricista qualificado.
○ secador de mãos liga e desliga de forma irregular.	Certifique-se de que os sensores estão limpos e sem obstruções. Verifique se o cabo do sensor da torneira está bem ligado. Tem de ser efetuado por um eletricista qualificado.

O secador de mãos por vezes desliga quando está a ser usado, mas retoma a operação após algum tempo.	Verifique se a entrada de ar está limpa e sem poeira. Limpe qualquer pó na entrada. Certifique-se de que a entrada de ar está livre de obstruções e tem espaço suficiente (consulte as instruções de instalação).
O tempo de secagem do secador de mãos aumentou.	Inspecione se a entrada tem poeira e retire-a. Inspecione o filtro e, se necessário, mude-o. Certifique-se de que a mangueira está fixada à base da torneira e que não existem fugas. Tem de ser efetuado por um eletricista qualificado.
O ar sai continuamente do secador de mãos.	Certifique-se de que os sensores estão limpos e sem obstruções.
Não sai ar do secador de mãos.	Verifique se o fusível/disjuntor funcionam e se o fornecimento elétrico e de ar estão ligados. Tem de ser efetuado por um eletricista qualificado. Certifique-se de que a mangueira está bem fixada à base da torneira e que não existem fugas. Tem de ser efetuado por um eletricista qualificado. Verifique se o cabo do sensor da torneira está bem ligado. Tem de ser efetuado por um eletricista qualificado.

## TORNEIRA

Problema	Ação
A água sai continuamente da torneira.	Certifique-se de que os sensores estão limpos e sem obstruções.
Não sai água da torneira.	Certifique-se de que os fornecimentos elétrico e de água estão ligados, e que a válvula de isolamento está aberta. Tem de ser efetuado por um eletricista qualificado. Certifique-se de que o ventilador não tem resíduos. Se necessário, retire e limpe/ substitua.
A água que sai da torneira está excessivamente quente ou fria.	Contacte a Linha de Assistência da Dyson.

Se tiver dúvidas, contacte a Linha de Assistência da Dyson.

## UTILIZAÇÃO EM ÁREAS DE PREPARAÇÃO DE ALIMENTOS

É necessária uma instalação especial para ambientes de preparação de alimentos, que deve envolver completamente a caixa do motor e a mangueira num compartimento fácil de limpar ou ter a caixa do motor no lado inverso de uma parede, fornecer espaço adequado para

limpar por baixo (se aplicável) e de forma que a unidade esteja, pelo menos, a 2,5 metros de superfícies de contacto com alimentos tapados ou destapados.

## LIMPEZA

O secador de mãos deve ser limpo diariamente.

Limpe os sensores com um pano macio e um detergente não abrasivo, depois coloque a tampa de limpeza sobre os sensores para evitar que o ar e a água sejam ativados. Limpe todas as superfícies da torneira, lavatório, espelho e quaisquer paredes ou bancadas. Quando terminar LEMBRE-SE de remover a tampa de limpeza.  
Limpe REGULARMENTE as entradas de ar na base da caixa do motor (por baixo do lavatório). Certifique-se de que o ralo no seu lavatório não tem obstruções e que a água drena livremente.

## INFORMAÇÃO IMPORTANTE

Não lave a máquina com água sob pressão.

Todos os produtos químicos de limpeza devem ser usados exatamente conforme indicado nas instruções do fabricante (incluindo a diluição apropriada).

Se um produto de limpeza for deixado no aparelho por demasiado tempo, formar-se-á uma película. Isto poderá reduzir a eficiência e danificar as superfícies antimicrobianas.

Quaisquer produtos químicos destinados a utilização devem começar por ser testados numa área não exposta para confirmar a sua adequação. Deve tomar medidas para evitar que quaisquer fluidos nocivos (para além de produtos de limpeza) entrem em contacto com o produto, especialmente óleos e produtos à base de álcool.

## DIRETRIZES SOBRE ÁGUA

O secador de mãos tem uma certificação IP35.

A utilização de máquinas de lavagem à pressão pode provocar infiltrações de água no invólucro.

Os danos com água causados por uma limpeza incorreta invalidarão a sua garantia.

## DESCARGA DE SERVIÇO AUTOMÁTICA

A unidade está equipada com uma descarga de água fixa automática, que se ativa durante 60 segundos, 24 horas após a última utilização. Isto ajuda a reduzir a estagnação da água e proliferação de bactérias no produto.

Certifique-se de que a unidade é sempre instalada sobre um lavatório funcional com drenagem ligada e livre.

## DIRETRIZES PARA SUBSTITUIÇÃO DO SOLENOIDE

Pode ser necessário substituir o solenoide do seu secador de mãos. Se suspeita que é o caso, contacte a Linha de Assistência da Dyson.

Quando substituir o solenoide, o secador de mãos deve ser desligado do fornecimento de eletricidade e água. A incapacidade em fazê-lo pode causar ferimentos graves e/ou danos materiais.

## MANUTENÇÃO DOS FILTROS

Verifique regularmente a entrada de ar para garantir que está livre de poeira e resíduos.

A limpeza da entrada com um pano macio deve ser suficiente para tirar a poeira e resíduos.

Se a entrada de ar ficar entupida, poderá ser necessária uma limpeza mais metódica ou uma mudança de filtro.

Se for necessário para ambientes de grande utilização, um kit de mudança de filtro da Dyson proporciona-lhe tudo o que necessita para mudar o filtro HEPA da sua unidade no local.

Contacte a Linha de Assistência da Dyson para mais informações. A limpeza ou substituição do seu secador de mãos pode ser efetuada seguindo meticulosamente as instruções fornecidas no kit de mudança de filtro. Se tiver alguma dúvida, consulte um electricista qualificado ou a Linha de Assistência da Dyson para obter assistência.

## MANUTENÇÃO

Se o seu secador de mãos precisar de manutenção, ligue para a Linha de Assistência da Dyson. Visite também o website em [www.dyson.com](http://www.dyson.com).

## INFORMAÇÃO PARA ELIMINAÇÃO

Os produtos Dyson são fabricados com materiais recicláveis de alta qualidade. Quando tiver de eliminar este produto, faça-o de forma responsável enviando-o para reciclagem onde for possível.

## A SUA GARANTIA

### TERMOS E CONDIÇÕES DA GARANTIA DE 5 ANOS DA DYSON.

Se tiver registado a sua unidade on-line, a sua garantia começa a partir da data de compra. Conserve a sua prova de compra. Se não tiver a sua prova de compra, a sua garantia começa a contar 90 dias após a data de fabrico, segundo os registos da Dyson.

Se esta unidade for vendida na UE, esta garantia apenas será válida (i) se a mesma for instalada e utilizada no país em que foi vendida ou (ii) se a unidade for instalada e utilizada na Áustria, Bélgica, França, Alemanha, Irlanda, Itália, Holanda, Espanha ou Reino Unido e o mesmo modelo que esta unidade com a mesma tensão nominal no país relevante. Se esta unidade for vendida fora da UE, esta garantia apenas será válida se a mesma for instalada e utilizada no país em que foi vendida.

## O QUE ESTÁ COBERTO

### GARANTIA DE 5 ANOS

Todas as peças de fábrica do seu secador de mãos estão garantidas contra defeitos originais, de materiais e de fabrico, quando usadas em conformidade com o manual do proprietário e guia de instalação, por um período de 5 anos a contar da data de início da garantia. Ligue para a Linha de Assistência da Dyson para mais informações.

Nos casos em que ocorram falhas elétricas, a Dyson, durante o período de garantia, realizará a reparação sem cobrar a mão-de-obra.

A substituição da unidade da caixa do motor, o filtro e solenoide não estão cobertos quanto a mão-de-obra. Se estas peças avariarem, serão fornecidas peças sobresselentes para serem montadas no local pelo cliente.

Ligue para a Linha de Assistência da Dyson para mais informações.

Se for necessário mudar um filtro, a Dyson fornecerá um kit de mudança de filtro para ser instalado no local pelo cliente.

- Quaisquer peças que sejam devolvidas e substituídas pela Dyson tornar-se-ão propriedade da mesma.
- A substituição da sua unidade ao abrigo da garantia não ampliará o período da garantia.
- A garantia proporciona benefícios que são adicionais a quaisquer direitos legais que possa ter como consumidor e não afetará os mesmos.

## O QUE NÃO ESTÁ COBERTO

A Dyson não garante a reparação ou substituição de um produto em que o defeito seja resultado de:

- Danos acidentais, avarias causadas por utilização ou cuidados negligentes, má utilização intencional ou deliberada, negligência, vandalismo, utilização ou manuseamento imprudentes da unidade, que não estejam em conformidade com o Manual de Instruções da Dyson.
- Utilização de peças não montadas em conformidade com as instruções da Dyson.
- Utilização de peças e acessórios que não sejam componentes Dyson genuínos.
- Instalação defeituosa ou instalação que não cumpra fielmente as instruções de instalação fornecidas pela Dyson (exceto quando instalado pela Dyson).
- Reparações ou alterações executadas por outros, em desacordo com as instruções da Dyson.
- Danos resultantes de fontes externas, como o trânsito, o clima, as faltas de eletricidade ou os picos de corrente.
- Desgaste normal (por exemplo, fusíveis, etc.).
- Danos causados por uma limpeza que não está de acordo com as instruções neste manual: por exemplo, limpeza com produtos químicos ou outros referidos como nocivos para a unidade.
- Danos causados por infiltração de água resultante de procedimentos de limpeza ou tratamento desaconselhados neste manual.
- Quaisquer danos de inundação, elétricos ou estruturais ou qualquer perda de negócio ou receitas em resultado de falha do produto. Se tiver dúvidas quanto à cobertura da sua garantia, contacte a Dyson (informações na contracapa).

## RESUMO DA COBERTURA

- Tem de fornecer prova de compra/entrega (tanto a original, como no caso de qualquer subsequente) antes que possa ser executado qualquer trabalho no seu aparelho da Dyson. Sem essa prova, qualquer trabalho executado ou peças fornecidas serão cobráveis. Guarde o seu recibo ou nota de entrega.
- Qualquer reparação deverá ser realizada pelos serviços técnicos autorizados pela DYSON.

## INFORMAÇÃO IMPORTANTE EM RELAÇÃO À PROTEÇÃO DE DADOS

### AO REGISTRAR O SEU PRODUTO DYSON

- Vai precisar de nos fornecer informações de contacto básicas para registar o seu produto e permitir-nos suportar a sua garantia.
- Quando se registar, terá a oportunidade de escolher se gostaria de receber comunicações da nossa parte. Se optar por receber comunicações da Dyson, enviar-lhe-emos detalhes de ofertas especiais e notícias das nossas inovações mais recentes. Nunca venderemos as suas informações a terceiros e apenas utilizaremos informações que partilhe connosco conforme definido pelas nossas políticas de privacidade, que estão disponíveis no nosso website [privacy.dyson.com](http://privacy.dyson.com).

# RO/MD

## INSTRUCȚIUNI IMPORTANTE PRIVIND ȘIGURANȚA

### CITIȚI ȘI PĂSTRAȚI ACESTE INSTRUCȚIUNI

**ÎNAINTE DE A INSTALA SAU DE A UTILIZA ACEASTĂ UNITATE, CITIȚI TOATE INSTRUCȚIUNILE ȘI MARCAJELE DE AVERTIZARE DIN ACEST GHID DE INSTALARE ȘI DIN MANUAL.**

**PENTRU A REDUCE PERICOLUL DE INCENDIU, DE ELECTROCUTARE SAU DE RĂNIRE, RESPECTAȚI URMĂTOARELE:**

1. Această unitate nu este destinată utilizării de către persoane (inclusiv copii) cu capacități fizice, senzoriale sau mentale reduse sau lipsite de experiență și de cunoștințe, cu excepția cazurilor în care acestea au fost supravegheate sau instruite cu privire la utilizarea unității de către o persoană responsabilă pentru siguranța lor.
2. Nu permiteți utilizarea unității în alte scopuri decât cele de a spăla și de a usca mâinile. Utilizați această unitate numai în modul prevăzut de producător. Dacă aveți întrebări, contactați producătorul.
3. Înainte de a efectua operațiunile de service, întrerupeți alimentarea electrică de la tabloul electric. Asigurați-vă că întrerupătorul este blocat pentru a preveni pornirea accidentală a alimentării electrice. Dacă întrerupătorul nu poate fi blocat, prindeți un dispozitiv de avertizare vizibil, de exemplu o etichetă, pe tabloul electric.

Copiii trebuie să fie ținuți sub supraveghere pentru a vă asigura că nu se joacă cu unitatea.

**NU UTILIZAȚI PENTRU CURĂȚARE ECHIPAMENTE DE SPĂLARE CU PRESIUNE PE UNITATE SAU ÎN APROPIEREA ACESTEIA.**

### **⚠️ AVERTISMENT**

**PENTRU A REDUCE RISCUL DE INCENDIU SAU DE ELECTROCUTARE, NU UTILIZAȚI ACEASTĂ UNITATE ÎMPREUNĂ CU ORICE TIP DE DISPOZITIV DE CONTROL AL VITEZEI CU SEMICONDUCTOARE.**

**TOATE LUCRĂRILE DE INSTALAȚII ȘI DE REPARAȚII (INSTALAȚII DE APĂ, DE CANAL ȘI ELECTRICE) TREBUIE EFECTUATE DE CĂTRE O PERSOANĂ CALIFICATĂ SAU DE CĂTRE UN INGINER DE SERVICE DYSON ÎN CONFORMITATE CU CODURILE SAU REGULAMENTELE LOCALE CURENTE.**

### **⚠️ ATENȚIE**

Uscătorul de mâini trebuie să fie montat în spații interioare. Domeniul de temperatură ambientală de operare: de la 0 °C (32 °F) până la 40 °C (104 °F). Pentru a reduce riscul de incendiu sau de electrocutare, nu expuneți mecanismele/componentele interne ale acestei unități la umezeală.

## VĂ MULȚUMIM CĂ AȚI ALES SĂ ACHIZIȚIONAȚI UN USCĂTOR DE MĂINI INTEGRAT ÎN ROBINET DYSON AIRBLADE WASH+DRY

### ASISTENȚĂ CLIENȚI DYSON

Garanția uscătorului dvs. de mâini este de 5 ani de la data achiziției, conform clauzelor garanției limitate.

Înregistrați-vă acum garanția la [www.dyson.com](http://www.dyson.com).

Dacă aveți întrebări privind uscătorul dvs. de mâini, apelați Linia de asistență Dyson, furnizând numărul de serie și detalii privind locul și momentul achiziționării unității.

Consemnați numărul de serie aici pentru consultări ulterioare.



Numărul de serie poate fi găsit în colțul din dreapta jos al plăcuței posterioare, pe o fișă de înregistrare din cutie și de asemenea pe o etichetă mare cu informații care poate fi găsită în jurul robinetului în momentul scoaterii din ambalaj a unității.



Această ilustrație este furnizată în scopuri pur exemplificative.

În ambalajul uscătorului de mâini se găsește un ghid de instalare cuprinzător. Acesta conține informații detaliate privind instalarea corectă a unității, care **TREBUIE** să fie respectate întru totul, inclusiv cele privind dirijarea cablurilor electrice. Daunele cauzate de instalarea incorectă nu sunt acoperite de garanție. Se recomandă montarea unui filtru în linie pentru a preveni deteriorările care pot afecta garanția dvs.

RO  
MD

**NOTĂ:** Asigurați-vă că alimentarea cu apă a fost complet curățată de reziduuri, pilitură de cupru etc. înainte de conectarea la placa din spate. În caz contrar supapa cu solenoid se va deteriora.

Instrucțiunile din acest manual și din ghidul de instalare trebuie să fie respectate întru totul; în caz contrar, rezultatul va fi o funcționare incorectă, daune materiale și/sau răniri. Se recomandă prevederea acestui produs cu o supapă de izolare în timpul instalării. Dyson nu își asumă răspunderea pentru nicio daună materială sau răniri, respectiv pentru nicio pierdere de afaceri sau venit, dacă dumneavoastră, personalul dumneavoastră, instalatorul sau inginerii de service nu ați respectat instrucțiunile din acest manual și din ghidul de instalare.

## ÎNGRIJIREA USCĂTORULUI DE MÂINI

### ⚠️ AVERTISMENT

Acest produs nu trebuie utilizat în chiuvete prevăzute cu dop. Înainte de a da drumul la apă, asigurați-vă că orificiul de scurgere nu este astupat și că apa se poate scurge liber.

### MOD DE UTILIZARE

Așezați-vă mâinile sub uscătorul de mâini Dyson, iar acesta va porni automat, creând planuri de aer pentru a vă îndepărta apa de pe mâini.

Pentru rezultate optime de uscare:

- Țineți mâinile întinse și paralele cu suprafața aparatului, la aproximativ 5 mm de marginile aparatului, trecându-vă mâinile prin fluxul de aer de la încheieturi și până la vârful degetelor.
- Mișcați ușor mâinile prin fluxul de aer, menținând o viteză constantă, aprox. 2,5 secunde pe fiecare parte și alternați de fiecare dată între palmă și dosul palmei.
- Țineți mâinile întinse, cu toate degetele lipite, pentru a vă asigura că toată suprafața mâinilor trece prin fluxul de aer.

### GHID DE DEPANARE

#### ⚠️ AVERTISMENT: PERICOL DE ELECTROCUTARE!

Problemă	Măsură
Uscătorul de mâini nu pornește.	Verificați funcționarea siguranței/întrerupătorului de circuit și conectarea alimentării cu apă și cu energie. Operațiunea trebuie să fie efectuată de un electrician calificat. Asigurați îndepărtarea capacului de curățare și faptul că senzorii sunt curați și fără obstrucții. Dacă există o metodă sigură de pornire, porniți și opriți unitatea. Dacă această metodă sigură nu este disponibilă, operațiunea trebuie efectuată de un electrician calificat.

Uscătorul de mâini pornește și se oprește în mod neregulat.	Asigurați-vă că senzorii sunt curați și nu prezintă obstrucții. Verificați conectarea sigură a cablului senzorului de la robinet. Operațiunea trebuie să fie efectuată de un electrician calificat.
Uscătorul de mâini se oprește uneori atunci când este în uz, dar își reia funcționarea după o perioadă de timp.	Verificați ca admisia de aer să fie curată și fără praf. Îndepărtați praful din admisia de aer. Asigurați-vă că admisia de aer nu este blocată și are suficient spațiu liber (consultați instrucțiunile de instalare).
Timpul de uscare al uscătorului de mâini a crescut.	Controlați dacă admisia de aer prezintă praf și îndepărtați praful. Inspectați filtrul și înlocuiți-l dacă este necesar. Asigurați-vă că furtunul este atașat fix la baza robinetului și că nu sunt prezente scurgeri. Operațiunea trebuie să fie efectuată de un electrician calificat.
Aerul iese continuu din uscătorul de mâini.	Asigurați-vă că senzorii sunt curați și nu prezintă obstrucții.
Nu iese aer din uscătorul de mâini.	Verificați funcționarea siguranței/întrerupătorului de circuit și conectarea alimentării cu apă și cu energie. Operațiunea trebuie să fie efectuată de un electrician calificat. Asigurați-vă că furtunul de aer este atașat fix la baza robinetului și că nu sunt prezente scurgeri. Operațiunea trebuie să fie efectuată de un electrician calificat. Verificați conectarea sigură a cablului senzorului de la robinet. Operațiunea trebuie să fie efectuată de un electrician calificat.

### ROBINET

Problemă	Măsură
Apa curge continuu din robinet.	Asigurați-vă că senzorii sunt curați și nu prezintă obstrucții.
Nu curge apă din robinet.	Asigurați-vă că alimentarea cu energie și cea cu apă sunt pornite și că supapa de izolare este deschisă. Operațiunea trebuie să fie efectuată de un electrician calificat. Asigurați-vă că aeratorul nu prezintă reziduuri, îndepărtați și curățați/înlocuiți dacă este necesar.
Apa care curge din robinet este excesiv de caldă sau de rece.	Apelați Linia de asistență Dyson.



Dacă aveți întrebări suplimentare, apălați Linia de asistență Dyson.

## UTILIZAREA ÎN ZONE DE PREPARARE A MÂNCĂRII

Pentru mediile de preparare a mâncării este necesară o instalare specială, care trebuie să cuprindă complet unitatea motorului și furtunul într-o carcasă curățabilă- sau în care unitatea motorului să fie pe partea opusă a unui perete, în care să existe spațiu suficient pentru curățarea dedesubt (dacă este cazul) și în care unitatea să fie la cel puțin 2,5 metri față de alimente neacoperite sau față de suprafețe de contact cu alimente neacoperite.

## CURĂȚAREA

Uscătorul de mâini trebuie să fie curățat zilnic.

Ștergeți senzorii folosind o cârpă moale și o substanță de curățare neabrazivă, apoi poziționați capacul de curățare peste senzori pentru a preveni activarea aerului și apei.

Curățați toate suprafețele robinetului, chiuveta, oglinda și orice pereți sau suprafețe de lucru.

La finalizare, NU UITAȚI să scoateți capacul de curățare.

Curățați PERIODIC orificiile de aer de la baza unității motorului (sub chiuvetă). Asigurați-vă că gaura de scurgere din chiuveta dvs. nu prezintă niciun obstacol și că apa poate curge liber.

## INFORMAȚII IMPORTANTE

A nu se spăla sub presiune.

Toate substanțele chimice de curățare trebuie să fie utilizate exact conform instrucțiunilor producătorului (inclusiv cele privind diluarea adecvată).

Dacă o substanță chimică de curățare este lăsată prea mult timp pe aparat, se va forma o peliculă. Acest fenomen poate reduce eficiența și poate deteriora match source.

Toate substanțele chimice prevăzute pentru utilizare trebuie să fie mai întâi testate pe un loc mai puțin vizibil pentru a stabili dacă sunt adecvate. Aveți grijă să nu permiteți ca fluide dăunătoare (altele decât substanțele chimice de curățare) să intre în contact cu produsul, mai ales uleiurile și produsele pe bază de alcool.

## ÎNDRUMĂRI PRIVIND APA

Acest uscător de mâini are o certificare IP35.

Utilizarea aparatelor de spălare cu presiune poate conduce la pătrunderea forțată a apei în carcasă.

Daunele provocate de apă în urma unei curățări incorecte vor duce la pierderea garanției.

## CLĂTIRE AUTOMATĂ

Acest uscător de mâini este prevăzut cu un sistem fix de clătire automată ce se activează timp de 60 de secunde la 24 de ore de la ultima utilizare. Acesta ajută la reducerea stagnerii apei în echipament și la prevenirea dezvoltării de bacterii în interior.

Asigurați-vă că unitatea este întotdeauna instalată peste un bazin funcțional cu scurgere liberă și conectată.

## INSTRUCȚIUNI PENTRU ÎNLOCUIREA SOLENOIDULUI

Poate fi necesară înlocuirea solenoidului din uscătorul de mâini. Dacă suspectați că vă aflați în această situație, apălați Linia de asistență Dyson.

Atunci când se înlocuiește solenoidul, uscătorul de mâini trebuie deconectat de la rețeaua de alimentare cu electricitate și de la alimentarea cu apă. Nerespectarea acestei cerințe ar putea conduce la răniri grave și/sau la pagube materiale.

## ÎNȚREȚINEREA FILTRULUI

Verificați în mod regulat admisia de aer pentru a vă asigura că nu prezintă praf și reziduuri. Simpla ștergere a admisiei cu o cârpă moale ar trebui să fie suficientă pentru a îndepărta praful și reziduurile.

Dacă admisia de aer se înfundă, este posibil să fie necesară o curățare mai aprofundată sau schimbarea filtrului.

Dacă este necesar pentru medii cu o utilizare intensă, un kit de schimbare a filtrului Dyson vă oferă tot ce vă trebuie pentru a schimba filtrul HEPA al unității la fața locului. Apălați Linia de asistență Dyson pentru informații suplimentare.

Curățarea sau înlocuirea filtrelor pentru uscătorul de mâini se poate efectua urmând cu atenție instrucțiunile oferite în kitul de schimbare a filtrului. Dacă aveți dubii, consultați un electrician calificat sau apălați Linia de asistență Dyson pentru asistență.

## DEPANAREA

Dacă uscătorul dvs. de mâini necesită depanare, apălați Linia de asistență Dyson. Vizitați și site-ul web la [www.dyson.com](http://www.dyson.com).

## INFORMAȚII PRIVIND ELIMINAREA

Produsele Dyson sunt fabricate din materiale reciclabile într-o foarte mare măsură.

Reciclați dacă este posibil.

## GARANȚIA DVS.

### TERMENI ȘI CONDIȚII PENTRU GARANȚIA DYSON DE 5 ANI

Dacă v-ați înregistrat unitatea online, garanția dvs. va deveni valabilă începând cu data achiziționării. Păstrați dovada achiziției. Dacă nu aveți dovada achiziției, garanția va deveni valabilă la 90 de zile după data fabricării, conform datelor deținute de Dyson.

În cazul în care această unitate este comercializată în cadrul UE, prezenta garanție va fi valabilă numai (i) dacă unitatea este instalată și utilizată în țara în care a fost comercializată sau (ii) dacă unitatea este instalată și utilizată în Austria, Belgia, Franța, Germania, Irlanda, Italia, Olanda, Spania sau Regatul Unit și același model ca această unitate este comercializat la aceeași tensiune nominală în țara relevantă. În cazul în care această unitate este comercializată în afara UE, prezenta garanție va fi valabilă numai dacă unitatea este instalată și utilizată în țara în care a fost comercializată.

## OBIECTUL GARANȚIEI

### GARANȚIE DE 5 ANI

Toate piesele din fabrică ale uscătorului dvs. de mâini sunt garantate ca neavând defecte inițiale, materiale și de manoperă dacă sunt utilizate în conformitate cu manualul de utilizare și ghidul de instalare pe o perioadă de 5 ani de la data de începere a garanției. Apălați linia de asistență telefonică Dyson pentru informații suplimentare.

În momentele în care apar defecte electrice, în timpul perioadei de garanție, Dyson va efectua reparația fără a percepe tarif pentru manoperă.

Înlocuirea ansamblului graifărului, filtrului și solenoidului nu sunt acoperite pentru manoperă. Dacă aceste piese se defectează, se vor asigura piese de înlocuire pentru a fi montate la fața locului de către client.

RO  
MD

Apelați linia de asistență telefonică Dyson pentru informații suplimentare.

În cazul în care se solicită schimbarea filtrului, Dyson va pune la dispoziție un kit de schimbare a filtrului care să fie instalat de client la fața locului.

- Orice piese care sunt returnate și înlocuite de către Dyson vor deveni proprietatea Dyson.
- Repararea sau înlocuirea unității dvs. în cadrul garanției nu va duce la prelungirea perioadei de garanție.
- Garanția oferă avantaje ce vin să suplimenteze drepturile de consumator pe care le dețineți prin lege, fără a le afecta.

## ASPECTE CE NU FAC OBIECTUL GARANȚIEI

Dyson nu garantează repararea sau înlocuirea unui produs acolo unde defectul este ca urmare a:

- Daune accidentale, defecțiuni provocate în urma utilizării sau îngrijirii neglijente, utilizare incorectă, neintenționată sau deliberată, neglijență, vandalism, utilizare neprecaută sau manipularea unității fără a respecta manualul de utilizare Dyson.
- Utilizarea pieselor neasamblate sau neinstalate în conformitate cu instrucțiunile Dyson.
- Utilizarea pieselor și accesoriilor ce nu sunt componente Dyson autentice.
- Instalarea incorectă sau instalarea ce nu respectă precis instrucțiunile de instalare furnizate de Dyson (cu excepția cazurilor în care instalarea a fost efectuată de Dyson).
- Reparații sau modificări efectuate în alt mod decât în conformitate cu instrucțiunile din partea Dyson.
- Deteriorări provocate de surse externe, precum trafic, condiții meteo, pene electrice sau supratensiuni.
- Uzură normală (de ex. siguranțe etc.).
- Deteriorare cauzată de o procedură de curățare care nu este în conformitate cu instrucțiunile din acest manual: de exemplu, curățarea cu substanțe sau produse chimice enumerate ca fiind dăunătoare pentru unitate.
- Daune provocate de pătrunderea apei în urma curățării sau a unui tratament indicat ca fiind nepermis în acest manual.
- Orice deteriorare electrică, de inundare sau structurală sau orice pierdere a afacerii sau a venitului ca urmare a defectării produsului. Dacă aveți dubii privind aspectele ce fac obiectul garanției, luați legătura cu Dyson (detalii pe coperta din spate).

## REZUMATUL ACOPERIRII

- Trebuie să faceți dovada livrării/achiziției (atât inițiale, cât și ulterioare) înainte de desfășurarea oricărei lucrări la echipamentul Dyson sau înainte de furnizarea pieselor de schimb. Fără această dovadă, lucrările efectuate sau piesele furnizate vor fi contra cost. Păstrați chitanța sau avizul de expediție.
- Sub rezerva excluderilor de mai sus, toate lucrările efectuate în temeiul prezentei garanții vor fi efectuate de Dyson sau agenții săi autorizați.

## INFORMAȚII IMPORTANTE DESPRE CONFIDENȚIALITATE

### LA ÎNREGISTRAREA PRODUSULUI DVS. DYSON:

- Va trebui să ne furnizați informații de contact de bază pentru a vă înregistra produsul și pentru a ne permite să acceptăm garanția dvs.
- Când vă înregistrați, veți avea oportunitatea de a alege dacă doriți sau nu să primiți comunicări din partea noastră. Dacă optați pentru primirea de comunicări de la Dyson, vă vom trimite detalii despre oferte speciale și noutăți privind ultimele noastre inovări. Nu vă vom vinde niciodată informațiile către terți, iar informațiile pe care ni le oferiți vor fi utilizate astfel cum este stabilit în politicile noastre de confidențialitate care sunt disponibile pe site-ul nostru [web.privacy.dyson.com](http://web.privacy.dyson.com).

# RU

## ВАЖНЫЕ ИНСТРУКЦИИ ПО ТЕХНИКЕ БЕЗОПАСНОСТИ

### ПРОЧИТАЙТЕ И СОХРАНИТЕ ЭТИ ИНСТРУКЦИИ

**ПЕРЕД УСТАНОВКОЙ И ИСПОЛЬЗОВАНИЕМ ДАННОГО УСТРОЙСТВА ОЗНАКОМЬТЕСЬ СО ВСЕМИ ИНСТРУКЦИЯМИ И ПРЕДУПРЕЖДЕНИЯМИ В ДАННОМ РУКОВОДСТВЕ И ЗАМЕЧАНИЯХ ПО УСТАНОВКЕ.**

**В ЦЕЛЯХ СНИЖЕНИЯ РИСКА ВОЗНИКНОВЕНИЯ ПОЖАРА, ПОРАЖЕНИЯ ЭЛЕКТРИЧЕСКИМ ТОКОМ ИЛИ ПОЛУЧЕНИЯ ТРАВМ, СОБЛЮДАЙТЕ СЛЕДУЮЩИЕ ПРАВИЛА:**

1. Лица с ограниченными физическими, сенсорными или умственными способностями, а также лица, не имеющие достаточного опыта и знаний (в том числе дети), должны использовать данное устройство только в присутствии человека, отвечающего за их безопасность, и после получения соответствующих инструкций и разъяснений с его стороны.
2. Запрещается использовать устройство в иных целях, кроме мытья и сушки рук. Данное устройство должно использоваться только по прямому назначению в соответствии с указаниями производителя. По всем вопросам обращайтесь к производителю.
3. Перед обслуживанием устройства отключите его питание, нажав выключатель на распределительном щите. Чтобы предотвратить случайное включение питания, убедитесь, что выключатель заблокирован. Если заблокировать выключатель невозможно, закрепите на распределительном щите видимый на расстоянии опознавательный знак, например аварийный флажок.

Следите за детьми, чтобы они не играли с этим устройством.

**НЕ ИСПОЛЬЗУЙТЕ АППАРАТЫ ДЛЯ МОЙКИ ПОД ДАВЛЕНИЕМ ДЛЯ ОЧИСТКИ УСТРОЙСТВА ИЛИ ПОВЕРХНОСТИ РЯДОМ С НИМ.**

### **⚠ ПРЕДУПРЕЖДЕНИЕ**

**В ЦЕЛЯХ СНИЖЕНИЯ ОПАСНОСТИ ВОЗНИКНОВЕНИЯ ПОЖАРА ИЛИ ПОРАЖЕНИЯ ЭЛЕКТРИЧЕСКИМ ТОКОМ НЕ ИСПОЛЬЗУЙТЕ ЭТО УСТРОЙСТВО НИ С КАКИМ УСТРОЙСТВОМ РЕГУЛИРОВКИ СКОРОСТИ**

**ВСЕ РАБОТЫ ПО УСТАНОВКЕ И РЕМОНТУ (СПЕСАРНОМУ И ЭЛЕКТРИЧЕСКОМУ) ДОЛЖНЫ ПРОВОДИТЬСЯ КВАЛИФИЦИРОВАННЫМ СПЕЦИАЛИСТОМ ИЛИ ИНЖЕНЕРОМ DYSON С СОБЛЮДЕНИЕМ ТРЕБОВАНИЙ ВСЕХ ДЕЙСТВУЮЩИХ РЕГИОНАЛЬНЫХ НОРМ И ПОЛОЖЕНИЙ.**

### **⚠ ВНИМАНИЕ**

Сушилка для рук должна использоваться внутри помещения. Диапазон рабочих температур окружающей среды составляет от 0 °C (32 °F) до 40 °C (104 °F). В целях снижения опасности возникновения пожара или поражения электрическим током не подвергайте внутренние механизмы/компоненты устройства воздействию влаги.

## БЛАГОДАРИМ ЗА ВЫБОР СУШИЛКИ ДЛЯ РУК DYSON AIRBLADE WASH+DRY

### СЛУЖБА СЕРВИСА ДЛЯ КЛИЕНТОВ КОМПАНИИ DYSON

Гарантия на сушилку для рук действует в течение 5 лет с момента покупки согласно условиям ограниченной гарантии.

Зарегистрируйте гарантию на веб-сайте [www.dyson.com](http://www.dyson.com).

При возникновении вопросов по сушилке для рук обратитесь в службу поддержки компании Dyson. Вам необходимо будет указать серийный номер, а также дату и место приобретения устройства.

Запишите здесь серийный номер на будущее.

Серийный номер можно найти в правом нижнем углу заднего щитка, на регистрационном листе, вложенном в коробку, а также на большой информационной наклейке, прикрепленной вокруг крана.



Данный номер является образцом.

В упаковку сушилки для рук вложено подробное руководство по установке. В этом руководстве представлены подробные инструкции по правильной установке устройства, которых необходимо СТРОГО придерживаться. Это, в частности, касается указаний по подключению электрических кабелей. Гарантия не распространяется на неисправности, возникшие вследствие неправильной установки.

Крепеж встроенного фильтра предохраняет от любого повреждения, которое может привести к изменению условий гарантии.

RU

**ПРИМЕЧАНИЕ.** Перед подключением убедитесь, что в системе подачи воды нет грязи, медной стружки и т. д. В противном случае это может привести к повреждению электромагнитного клапана.

Необходимо строго выполнять инструкции, изложенные в этом руководстве и в руководстве по установке. В противном случае возможно возникновение неисправностей в работе устройства, причинение материального ущерба и/или личного вреда. Рекомендуется, чтобы клапан изоляции был смонтирован с данным изделием во время установки. Компания Dyson не несет ответственности за любой материальный ущерб или личный вред или за любые другие потери в бизнесе или доходах, причиненные в результате несоблюдения вами, вашими сотрудниками, специалистами по установке или сервисными инженерами инструкций, приведенных в этом руководстве и руководстве по установке.

## УХОД ЗА СУШИЛКОЙ ДЛЯ РУК

### **⚠ ПРЕДУПРЕЖДЕНИЕ**

Данное изделие не должно использоваться в раковинах с вставленной пробкой. Перед включением потока воды убедитесь, что отверстие под пробку свободно от любых посторонних предметов и вода может сливаться беспрепятственно.

### **ЭКСПЛУАТАЦИЯ**

Поместите руки под центр крана, и вода будет идти автоматически до тех пор, пока руки будут оставаться на том же месте.

Для быстрого высушивания:

- Держите руки ровно и параллельно поверхности устройства на расстоянии прибл. 5 мм, проводя руками через поток воздуха от запястий до кончиков пальцев.
- Медленно перемещайте руки через поток воздуха с постоянной скоростью, чередуя обе стороны при каждом перемещении таким образом, чтобы на каждую руку приходилось прибл. 2,5 секунды.
- Держите ваши ладони раскрытыми с сомкнутыми пальцами и не отводите большие пальцы, чтобы вся ладонь находилась в воздушном потоке.

## РУКОВОДСТВО ПО ВЫЯВЛЕНИЮ И УСТРАНЕНИЮ НЕИСПРАВНОСТЕЙ

### **⚠ ПРЕДУПРЕЖДЕНИЕ: ОПАСНОСТЬ ПОРАЖЕНИЯ ЭЛЕКТРИЧЕСКИМ ТОКОМ.**

Проблема	Действие
Сушилка для рук не включается.	Проверьте состояние плавкого предохранителя/автоматического выключателя, а также наличие подачи электропитания. Убедитесь, что кольцо для очистки снято, датчики чистые и ни чем не закрыты. Если доступен безопасный способ переключения, включите и выключите устройство. Если безопасный способ недоступен, эту задачу должен выполнить квалифицированный электрик.

Сушилка для рук включается и отключается хаотично	Убедитесь, что датчики чистые и не закрыты посторонними предметами. Убедитесь, что кабель датчика крана надежно подсоединен. Всё это должно быть выполнено квалифицированным электриком.
Сушилка для рук иногда выключается при использовании и возобновляет работу через некоторое время.	Убедитесь, что впускное отверстие для воздуха является чистым и не содержит пыли и посторонних предметов. Очистите впускное отверстие для воздуха от пыли при необходимости. Убедитесь, что впускное отверстие для воздуха не содержит посторонних предметов и находится на удалении от ближайшей поверхности согласно требованиям (см. инструкции по установке).
Возросло время сушки сушилки для рук.	Проверьте впускное отверстие на наличие пыли, и, если она есть, удалите ее. Проверьте фильтр и при необходимости замените. Убедитесь, что шланг надежно прикреплен к основанию крана, а также проверьте наличие утечек. Это должно быть выполнено квалифицированным электриком.
Воздух из сушилки для рук идет без остановки.	Убедитесь, что датчики чистые и не закрыты посторонними предметами.
Воздух из сушилки для рук не идет.	Проверьте состояние плавкого предохранителя/автоматического выключателя, а также наличие подачи электропитания. Убедитесь, что шланг для подачи воздуха надежно прикреплен к основанию крана, а также проверьте наличие утечек. Это должно быть выполнено квалифицированным электриком. Убедитесь, что кабель датчика крана надежно подсоединен. Всё это должно быть выполнено квалифицированным электриком.

## КРАН

Проблема	Действие
Вода из крана идет без остановки.	Убедитесь, что датчики чистые и не закрыты посторонними предметами.

Вода из крана не идет.	Убедитесь, что электропитание и водоснабжение подключено и клапан изоляции открыт. Это должно быть выполнено квалифицированным электриком. Убедитесь, что аэратор свободен от мусора, и при необходимости удалите и очистите/замените.
Вода, идущая из крана, очень горячая или холодная.	Обратитесь в службу поддержки компании Dyson.

При возникновении других вопросов обратитесь в службу поддержки компании Dyson.

## ИСПОЛЬЗОВАНИЕ В МЕСТАХ ПРИГОТОВЛЕНИЯ ПИЩИ

При использовании в зоне приготовления пищи требуется особая установка, при которой стакан электродвигателя и шланг необходимо полностью поместить в легко очищаемый корпус или разместить стакан электродвигателя за стеной, обеспечивая достаточное расстояние снизу для очистки (если применимо) и не приближая устройство менее чем на 2,5 метра к незакрытым пищевым продуктам или к контактирующим с ними поверхностям.

## ОЧИСТКА

Очистку сушилки для рук рекомендуется проводить ежедневно.

Протрите датчики с помощью мягкой ткани и неабразивного чистящего средства, затем поместите кольцо для очистки на датчики, чтобы предотвратить включение воды и воздуха.

Очистите все поверхности крана, раковину, зеркало и поверхности стен или стойки раковины. По завершении НЕ ЗАБУДЬТЕ снять кольцо для очистки.

РЕГУЛЯРНО очищайте впускные отверстия для воздуха в основании корпуса двигателя (под раковиной). Убедитесь, что сливное отверстие раковины свободно от посторонних предметов, и вода может сливаться беспрепятственно.

## ВАЖНАЯ ИНФОРМАЦИЯ

Запрещается мытье под высоким давлением.

Все чистящие средства должны использоваться строго в соответствии с указаниями изготовителя (включая указания по их растворению и разбавлению).

Если чистящее химическое средство слишком долго остается на корпусе устройства, образуется пленка. Это может привести к снижению эффективности антибактериальных покрытий.

Все чистящие средства необходимо предварительно опробовать в незаметных местах для проверки их пригодности. Не допускайте попадания на корпус устройства агрессивных жидкостей (помимо чистящих веществ), в частности, масел и спиртосодержащих веществ.

## УКАЗАНИЯ ПО ИСПОЛЬЗОВАНИЮ ВОДЫ

Сушилка для рук сертифицирована по стандарту IP35.

Использование моечного аппарата высокого давления может привести к попаданию воды внутрь корпуса устройства.

Гарантия не распространяется на повреждения, полученные в результате ненадлежащей очистки.

## ПРОМЫВАНИЕ В АВТОРЕЖИМЕ

Устройство оборудовано функцией автоматического промывания водой, которая активируется на 60 секунд через каждые 24 часа после последнего использования. Это помогает уменьшить застой воды и снизить риск распространения бактерий внутри изделия.

Убедитесь, что устройство всегда установлено поверх действующей раковины с открытой дренажной системой.

## ИНСТРУКЦИИ ПО ЗАМЕНЕ СОЛЕНОИДА

Существует вероятность необходимости замены соленоида сушилки для рук. В этом случае обратитесь в службу поддержки компании Dyson.

При замене соленоида сушилка для рук должна быть отсоединена от подачи электричества и воды. Неисполнение данного требования может привести к серьезному повреждению и/или материальному ущербу.

## ОБСЛУЖИВАНИЕ ФИЛЬТРОВ

Регулярно проверяйте впускное отверстие для воздуха на отсутствие пыли и мусора. Для очистки впускного отверстия от пыли и мусора достаточно протереть его мягкой тканью.

В случае засорения впускного отверстия для воздуха может потребоваться дополнительная очистка или замена фильтра.

В местах интенсивного использования устройства рекомендуется использовать комплект для замены фильтров Dyson класса HEPA, в который входит все необходимое для замены на месте. Для получения дополнительной информации обратитесь в службу поддержки компании Dyson.

При выполнении очистки или замены фильтра сушилки для рук необходимо строго следовать указаниям, приведенным в инструкциях к комплекту для замены фильтров.

При возникновении вопросов проконсультируйтесь у квалифицированного электрика либо обратитесь за помощью в службу поддержки компании Dyson.

## СЕРВИСНОЕ ОБСЛУЖИВАНИЕ

Если сушилке для рук требуется сервисное обслуживание, обратитесь в службу поддержки компании Dyson. Посетите также веб-сайт [www.dyson.com](http://www.dyson.com).

## ИНФОРМАЦИЯ ПО УТИЛИЗАЦИИ

Продукты Dyson производятся из материалов, пригодных для повторной утилизации. По возможности сдавайте устройство на переработку.

## ВАША ГАРАНТИЯ

### УСЛОВИЯ И ПОЛОЖЕНИЯ 5-ЛЕТНЕЙ ГАРАНТИИ DYSON

Если устройство зарегистрировано через Интернет, действие гарантии начинается с даты покупки. Сохраняйте документы, подтверждающие покупку. При отсутствии документов, подтверждающих покупку, гарантия начнет действовать по истечении 90 дней с момента производства в соответствии с записями компании Dyson.

Данная гарантия аннулируется, если устройство установлено или используется за пределами страны, в которой оно было приобретено.

## ЧТО ВХОДИТ В ГАРАНТИЮ

### ГАРАНТИЯ НА 5 ЛЕТ

В отношении всех заводских деталей сушилки для рук гарантируется отсутствие дефектов, связанных с материалами и изготовлением, в течение 5 лет с момента начала действия гарантии, при условии соблюдения инструкций, изложенных в руководстве по эксплуатации и в руководстве по установке устройства.

Для получения дополнительной информации обратитесь в службу поддержки компании Dyson.

В случаях повреждения электрооборудования в период действия гарантии компания Dyson выполнит ремонт без взимания оплаты за работу специалистов.

Замена модуля корзины двигателя, фильтра и электромагнитного клапана не выполняется специалистами в рамках гарантийного обслуживания.

При неработоспособности этих компонентов будет предоставлена замена для установки клиентом на месте.

Для получения дополнительной информации обратитесь в службу поддержки компании Dyson.

По вопросам приобретения фильтра, в случае возникновения необходимости его замены, вы можете обратиться в компанию Dyson.

- Любые заменяемые компоненты, которые были возвращены в компанию Dyson, становятся собственностью Dyson.
- Ремонт или замена вашего изделия Dyson в течение гарантийного срока не продлевает срок гарантии.
- Настоящая гарантия дает вам преимущества, являющиеся дополнением к вашим законным правам как потребителя, и никоим образом не влияет на эти права.

### ЧТО НЕ ВХОДИТ В ГАРАНТИЮ

Компания Dyson не гарантирует ремонт или замену изделий, дефекты которых появились в результате:

- случайного повреждения, неисправности, вызванной небрежным, неаккуратным, неосторожным использованием, либо преднамеренной порчей, вандализмом, неправильной эксплуатацией или обслуживанием устройства без соблюдения инструкции по эксплуатации Dyson;
- использования узлов, собранных и установленных с нарушением инструкций Dyson;
- использования деталей и компонентов, не являющихся оригинальными запчастями Dyson;
- неправильной установки или установки, которая не полностью соответствует инструкциям, предоставленным компанией dyson (за исключением случаев, когда устройство устанавливалось специалистами Dyson);
- ремонта или модификаций, которые противоречат инструкциям компании Dyson;
- повреждения в результате воздействия внешних источников, например, при перевозке, внешних погодных условий, перебоев в энергоснабжении или скачков напряжения в сети;
- обычного физического износа (например, предохранителей и т. п.);
- повреждения, вызванного очисткой, выполненной не по инструкциям данного руководства, например, если при очистке устройства использовались химические препараты или продукты, перечисленные в настоящей инструкции как оказывающие вредное воздействие на устройство;
- повреждения вследствие попадания внутрь устройства воды при использовании способа очистки, запрещенного данным руководством;
- любых повреждений электрической сети и резких перепадов напряжения,

затопления или структурных повреждений, а также потери бизнеса или дохода в результате неисправности изделия. По любым вопросам относительно содержания гарантии обращайтесь в компанию Dyson (подробности см. на обратной стороне обложки).

## ИНФОРМАЦИЯ О ГАРАНТИИ

- Вам потребуется предъявить (с помощью оригинала или копии) доказательство доставки/приобретения изделия перед любым сервисным обслуживанием, которое может быть произведено с вашим устройством, или перед предоставлением запчастей. Для получения дополнительной информации обратитесь в службу поддержки компании Dyson. Пожалуйста, сохраняйте ваш чек о приобретении.
- С учетом указанных выше ограничений все работы по данной гарантии будут произведены компанией Dyson или ее авторизованными представителями.

## ВАЖНАЯ ИНФОРМАЦИЯ О ЗАЩИТЕ ДАННЫХ

### ПРИ РЕГИСТРАЦИИ ПРОДУКЦИИ DYSON

- Вы должны будете предоставить нам основную контактную информацию для регистрации Вашего продукта.
- После регистрации Вы сможете выбрать, получать или не получать от нас сообщения. Если Вы подпишетесь на получение сообщений от Dyson, мы будем отправлять Вам сведения о специальных предложениях и последних инновациях. Мы никогда не продаем информацию клиентов третьим сторонам и используем ее только в соответствии с нашей политикой конфиденциальности, опубликованной на нашем веб-сайте: [privacy.dyson.com](https://www.dyson.com/privacy).



## الاستخدام في مناطق إعداد الطعام

بالنسبة إلى بيئات تحضير الطعام، فإنها تتطلب تثبيتاً خاصاً، حيث يجب أن تتضمن حاوية المحرك وخرطومًا في مبيت قابل للتنظيف أو وجود حاوية محرك على الجانب العكسي للجدار، وتوفير خلوص كافٍ للتنظيف من الأسفل (إن وجد) وأن تكون الوحدة على بعد 2.5 مترًا من أسطح الطعام غير المغطاة أو محتوى الأطعمة غير المغطاة.

## التنظيف

ينبغي تنظيف مجفف الأيدي يوميًا. قم بمسح المستشعرات باستخدام قطعة قماش ناعمة ومنظف غير كاشط ثم ضع غطاء التنظيف فوق المستشعرات لمنع تنشيط الهواء والماء. قم بتنظيف جميع أسطح الصنبور والحوض والمرآة وأي جدران أو أسطح عمل. عند الانتهاء تذكر إزالة غطاء التنظيف. نظف مداخل الهواء الموجودة على قاعدة حاوية المحرك (تحت الحوض) بانتظام. تأكد من أن مصفاة التصريف في الحوض خالية من أي انسدادات بحيث يمكن تصريف الماء بحرية.

## معلومات مهمة

تجنب غسل الجهاز من خلال الضغط. يجب استخدام جميع مواد التنظيف الكيميائية على النحو الموضح تمامًا في إرشادات الشركة المصنعة (بما في ذلك معدل التخفيف المناسب). في حالة ترك مادة التنظيف الكيميائية على الجهاز لفترة طويلة، ستكون طبقة رقيقة عليه. وقد يقلل ذلك من فعالية الأسطح المضادة للميكروبات وتعرضها إلى التلف. ينبغي أولاً اختبار أي مواد كيميائية مخصصة للاستخدام على منطقة غير ملحوظة للتأكد من مدى ملاءمتها. ينبغي توخي الحذر لتجنب ملامسة أي سوائل ضارة (غير مواد التنظيف الكيميائية) للمنتج، ولا سيما الزيوت والمنتجات الكحولية.

## الإرشادات المتعلقة بالمياه

مجفف الأيدي هذا حاصل على شهادة IP35. استخدام جهاز غسل يستخدم الضغط يمكن أن يدفع الماء بالقوة إلى داخل الغطاء الخارجي. سيؤدي التلف الناتج عن الماء بسبب التنظيف غير السليم إلى إبطال الضمان.

## الشطاف الآلي

تحتوي الوحدة على شطاف آلي ثابت يعمل بالماء، يتم تشغيله لمدة 60 ثانية كل 24 ساعة بعد آخر استخدام. ويساعد ذلك على تقليل ركود الماء وتكاثر البكتيريا داخل المنتج. يُرجى التأكد من تركيب الوحدة فوق حوض سليم متصل بصرف غير مسدود.

## إرشادات استبدال الملف اللولبي

قد يلزم استبدال الملف اللولبي في مجفف الأيدي الخاص بك. إذا كنت تظن أن ذلك ضروري، فيرجى الاتصال بخط المساعدة التابع لشركة Dyson. عند استبدال الملف اللولبي، يجب فصل مجفف الأيدي عن الكهرباء ومصدر الماء. وقد يؤدي عدم الالتزام بذلك إلى إصابة خطيرة أو إلحاق تلف بالممتلكات.

## صيانة المرشح

افحص مدخل الهواء بشكل منتظم لضمان خلوه من الغبار والرواسب. ما عليك سوى مسح مدخل الهواء بقطعة قماش ناعمة لإزالة الغبار والرواسب. في حال انسداد مدخل الهواء، قد يتطلب الأمر المزيد من التنظيف أو تغيير المرشح. إذا لزم إجراء ذلك في الأماكن التي يكثر فيها استخدام الجهاز، فإن مجموعة أدوات تغيير مرشح Dyson توفر كل ما يلزم لتغيير مرشح HEPA لجهازك في موقع التشغيل. اتصل بخط المساعدة التابع لشركة Dyson للحصول على مزيد من المعلومات. يمكن تنظيف المرشح أو استبداله لمجفف الأيدي باتباع الإرشادات المقدمة في مجموعة أدوات تغيير المرشح بدقة. في حال وجود أي شك لديك، عليك استشارة كهربائي متخصص أو الاتصال بخط المساعدة التابع لشركة Dyson للحصول على الدعم.

## الصيانة

إذا احتاج مجفف الأيدي إلى الصيانة، فيُرجى الاتصال بخط المساعدة التابع لشركة Dyson. تفضل أيضًا بزيارة موقع الإنترنت على [www.dyson.com](http://www.dyson.com).

## معلومات التخلص من الجهاز

إن منتجات Dyson مصنوعة من مواد عالية الجودة قابلة لإعادة التدوير. فقم بإعادة التدوير كلما كان ذلك ممكنًا.

## ضمانك

### بنود وشروط الضمان

لمعرفة البنود والشروط الخاصة بضمانك الرجاء الاتصال بالجهات التالية:  
(SA) شركة أحمد عبدالواحد التجارية (السعودية) أو  
شركة جمبو للإلكترونيات (الإمارات العربية المتحدة)  
الرجاء الاحتفاظ بالفاتورة لإثبات صحة الضمان.

### بنود وشروط الضمان

لمعرفة البنود والشروط الخاصة بضمانك الرجاء الاتصال بـ  
Dyson Professional, JLT، برج الريف، مجموعة و، مكتب 1902، صندوق بريد 5003350، الإمارات العربية المتحدة، دبي  
الرجاء الاحتفاظ بالفاتورة لإثبات صحة الضمان



## الاعتناء بمجفف الأيدي

### ⚠ تحذير

يجب عدم استخدام هذا المنتج في أحواض بها سدادات في مصفاة التصريف. قبل بدء تدفق المياه، تأكد أن مصفاة التصريف خالية من أي انسدادات وأنه يمكن تصريف هذا الماء بحرية.

### طريقة الاستخدام

ضع يديك تحت مجفف الأيدي من Dyson وسوف يعمل تلقائيًا، مكونًا تيارات من الهواء لإزالة المياه عن يديك.

للحصول على أفضل نتائج لوقت التجفيف:

- ضع يديك على بشكل مستقيم بمحاذاة سطح الجهاز، على مسافة 5 مم تقريبًا من الصفيحة، مع تدوير اليدين عبر تدفق الهواء من الرسغين إلى أطراف الأصابع.
- حرك يديك بشكل مستقيم بمحاذاة سطح الجهاز، على مسافة 5 مم تقريبًا من الصفيحة، مع تدوير اليدين عبر تدفق الهواء من الرسغين إلى أطراف الأصابع.
- حافظ على يديك مستقيمتين وأغلق الفجوات بين أصابعك مع ضم الإبهامين لضمان تجفيف اليدين بالكامل عبر تدفق الهواء.

### دليل استكشاف الأخطاء وإصلاحها

### ⚠ تحذير: خطر حدوث صدمة كهربائية.

أحيانًا يتوقف مجفف الأيدي فجأة أثناء استخدامه لكنه يستأنف العمل بعد فترة.	تحقق من نظافة مدخل الهواء وخلوه من الأتربة. أزل أي أتربة من مدخل الهواء. تأكد من خلو مدخل الهواء من أي انسدادات وصفائه بدرجة كافية (راجع إرشادات التركيب).
ازداد وقت التجفيف الذي يستغرقه مجفف الأيدي.	افحص المدخل لاكتشاف ما إذا كان به أتربة وقم بإزالة هذه الأتربة عند وجودها. افحص المرشح وقم بتغييره إذا تطلب الأمر ذلك. تأكد من أن الخرطوم مثبت بإحكام في قاعدة الصنبور وأنه لا يوجد أي تسريب. يجب أن يتم إجراء ذلك بواسطة كهربائي مؤهل.
يتدفق الهواء باستمرار من مجفف الأيدي.	تأكد من أن المستشعرات نظيفة وخالية من أي انسدادات
لا يوجد هواء يتدفق من مجفف الأيدي.	تحقق من أن قاطع الدائرة/قاطع التيار قيد العمل واتصال مصدر الطاقة والماء. يجب أن يتم إجراء ذلك بواسطة كهربائي مؤهل. تأكد من أن خرطوم الهواء مثبت بإحكام في قاعدة الصنبور وأنه لا يوجد أي تسريب. يجب أن يتم إجراء ذلك بواسطة كهربائي مؤهل. تحقق من أن كابل المستشعر محكم التوصيل من الصنبور يجب أن يتم إجراء ذلك بواسطة كهربائي مؤهل.

### الصنبور

المشكلة	الإجراء
يخرج الماء بشكل مستمر من الصنبور.	تأكد من أن المستشعرات نظيفة وخالية من أي انسدادات
الماء لا يخرج من الصنبور.	تأكد من أن مصدر الكهرباء والماء قيد التشغيل وأن صمام العزل مفتوح. يجب أن يتم إجراء ذلك بواسطة كهربائي مؤهل. تأكد من أن جهاز التهوية خال من الرواسب، وقم بإزالتها ونظفها / استبدله إذا لزم الأمر.
الماء الخارج من الصنبور شديد الحرارة أو البرودة.	اتصل بخطط المساعدة التابع لشركة Dyson.

إذا كانت لديك أية أسئلة أخرى، فالرجاء الاتصال بخطط المساعدة التابع لشركة Dyson.

المشكلة	الإجراء
فشل بدء تشغيل مجفف الأيدي.	تحقق من أن قاطع الدائرة/قاطع التيار قيد العمل واتصال مصدر الطاقة والماء. يجب أن يتم إجراء ذلك بواسطة كهربائي مؤهل. تأكد من إزالة غطاء التنظيف ونظافة المستشعرات وعدم انسدادها. في حالة توفر وسيلة آمنة لفصل التيار الكهربائي، قم بتشغيل الوحدة وإيقاف تشغيلها. في حالة عدم توفر وسيلة آمنة، يجب أن يقوم كهربائي متخصص بأداء هذه المهمة.
يتم تشغيل مجفف الأيدي وإيقاف تشغيله بصورة غير منتظمة.	تأكد من أن المستشعرات نظيفة وخالية من أي انسدادات تحقق من أن كابل المستشعر محكم التوصيل من الصنبور. يجب أن يتم إجراء ذلك بواسطة كهربائي مؤهل.

# شكرًا لاختيارك شراء مجفف الأيدي المزود بصنوبر AIRBLADE WASH+DRY من DYSON رعاية عملاء DYSON

يتمتع مجفف الأيدي بضمان لمدة 5 أعوام من تاريخ الشراء، وذلك وفقًا لشروط الضمان المحدود.

سجّل ضمانك الآن في موقع [www.dyson.com](http://www.dyson.com).

إذا كانت لديك أي استفسارات عن مجفف الأيدي، فيرجى الاتصال بخط المساعدة التابع لشركة Dyson مع تقديم الرقم المسلسل والتفاصيل المتعلقة بمكان ووقت شراء الوحدة.

دوّن الرقم المسلسل هنا للرجوع إليه في المستقبل.

يوجد الرقم المسلسل على الركن السفلي الأيمن من اللوحة الخلفية وعلى ورقة التسجيل في الصندوق وأيضًا على ملصق المعلومات الكبير الموجود حول الصنوبر عند إخراج الوحدة من العبوة.



تم تقديم هذا التوضيح على سبيل المثال فقط.

تم إرفاق دليل تركيب شامل مع عبوة مجفف الأيدي. يحتوي هذا الدليل على معلومات تفصيلية عن التركيب الصحيح للوحدة والتي يجب الالتزام بها بشكل كامل، بما في ذلك مسارات الكابلات الكهربائية. لا يغطي الضمان الأضرار الناجمة عن التركيب غير الصحيح.

يوصى بتركيب مرشح متوافق لمنع أي تلف قد يؤثر على الضمان. ملاحظة: تأكد من أن مصدر إمداد المياه خال من الرواسب وبرادة النحاس وغير ذلك، قبل توصيل المنتج. قد يؤدي عدم القيام بذلك إلى تلف الصمام ذي الملف الولبي. يجب اتباع الإرشادات الواردة في هذا الكتيب ودليل التركيب بحذافيرها؛ حيث قد

يؤدي عدم القيام بذلك إلى تشغيل غير صحيح أو إلحاق ضرر بالممتلكات و/أو التعرض لإصابة شخصية. ويوصى بتركيب صمام العزل مع هذا المنتج أثناء عملية التركيب. لا تتحمل شركة Dyson المسؤولية عن أي أضرار للممتلكات أو عن الإصابة الشخصية، أو أي خسارة للعمل أو الإيرادات، إذا لم تتبّع أنت أو موظفوك أو القائم بالتركيب أو مهندسو الصيانة الإرشادات الواردة في هذا الكتيب ودليل التركيب.

SA  
UAE  
BH  
EG  
KW  
LB  
OM  
QA

## يجب قراءة هذه الإرشادات والاحتفاظ بها

قبل تركيب هذه الوحدة أو استخدامها يرجى قراءة جميع الإرشادات والعلامات التحذيرية الواردة في دليل التركيب هذا وفي دليل المستخدم.

للحد من خطر الحريق أو الصدمة الكهربائية أو إصابة الأشخاص، يجب مراعاة ما يلي:

1. هذه الوحدة غير مخصصة للاستخدام من جانب الأشخاص (من بينهم الأطفال) من ذوي القدرات البدنية أو الحسية أو العقلية المحدودة، أو الذين يفتقرون إلى الخبرة والمعرفة، ما لم يُقدّم لهم الإشراف أو التوجيه بشأن استخدام الوحدة من جانب شخص مسؤول عن سلامتهم.
2. يجب عدم السماح باستخدام الوحدة لأي غرض بخلاف غسل الأيدي وتجفيفها. ويجب استخدام هذه الوحدة فقط بالطريقة المحددة من قبل Dyson. إذا كانت لديك أي استفسارات، فيُرجى الاتصال بخط المساعدة التابع لشركة Dyson.
3. قبل الصيانة، افصل التيار الكهربائي عن لوحة الأسلاك. تأكد من تأمين المفتاح لتجنب توصيل التيار الكهربائي دون قصد. وفي حال تعذر تأمين وسائل فصل التيار الكهربائي، يجب توصيل جهاز إنذار بارز بإحكام، مثل بطاقة مميزة، بلوحة الأسلاك.

تنبغي مراقبة الأطفال لضمان عدم عبثهم بالوحدة.

لا تستخدم أي معدات غسيل بالضغط لتنظيف هذه الوحدة أو بالقرب منها.

## ⚠ تحذير

للحد من خطر الحريق أو الصدمة الكهربائية، لا تستخدم هذه الوحدة مع أي جهاز إلكتروني للتحكم في السرعة.

يجب أن تتم جميع أعمال التركيب والإصلاح (الخاصة بالسباكة والكهرباء) بواسطة شخص مؤهل أو مهندس الصيانة التابع لشركة DYSON وفقاً للقوانين أو اللوائح المحلية الحالية.

## ⚠ تنبيه

يجب وضع مجفف الأيدي داخل المبنى. تتراوح درجة حرارة بيئة التشغيل من 0° مئوية (32° فهرنهايت) إلى 40° مئوية (104° فهرنهايت). للحد من خطر حدوث صدمة كهربائية أو حريق، يجب عدم تعريض الأجهزة/الأجزاء الداخلية في هذه الوحدة للرطوبة.

SE

# SE

## VIKTIGA SÄKERHETSINSTRUKTIONER LÄS OCH SPARA DESSA INSTRUKTIONER

LÄS ALLA INSTRUKTIONER OCH VARNINGAR I DEN HÄR INSTALLATIONSHANDBOKEN OCH I BRUKSANVISNINGEN INNAN DEN HÄR ENHETEN INSTALLERAS OCH ANVÄNDS.

NOTERA FÖLJANDE FÖR ATT MINSKA RISKEN FÖR BRAND, ELEKTRISK STÖT ELLER PERSONSKADOR:

1. Denna enhet är inte avsedd att användas av personer (inklusive barn) med nedsatt fysisk, motorisk eller mental förmåga, eller som saknar erfarenhet och kunskap, om de inte fått handledning eller anvisningar om hur enheten används av en person som ansvarar för deras säkerhet.
2. Låt inte enheten användas i något annat syfte än för att tvätta och torka händer. Använd denna enhet enbart på det sätt som tillverkaren avsett. Kontakta tillverkaren om du har frågor.
3. Bryt strömmen vid servicepanelen innan arbeten utförs på enheten. Se till att brytaren är låst för att förhindra att strömmen slås på igen oavsiktligt. Om strömbrytaren inte kan låsas ska en tydlig varning sättas fast på servicepanelen, t.ex. en skylt.

Barn bör övervakas för att försäkra sig om att de inte leker med enheten.

ANVÄND INGEN TRYCKTVÄTTSUTRUSTNING FÖR RENGÖRING AV, ELLER I NÄRHETEN AV, DENNA ENHET.

### VARNING

ANVÄND INTE DEN HÄR ENHETEN TILLSAMMANS MED NÅGOT HALVLEDARREGLAGE FÖR HASTIGHETSREGLERING FÖR ATT MINSKA RISKEN FÖR BRAND ELLER ELEKTRISK STÖT.

ALLA INSTALLATIONER OCH REPARATIONER (RÖR OCH EL) SKA UTFÖRAS AV EN KVALIFICERAD PERSON ELLER DYSONS SERVICETEKNIKER I ENLIGHET MED DE LOKALA REGLER OCH BESTÄMMELSER SOM GÄLLER VID TILFÄLLET.

### VARNING

Din handtork ska placeras inomhus. Temperaturintervallet för driftsmiljön är 0–40 °C. Utsätt inte den här enhetens invändiga mekanism/komponenter för fukt, för att minska risken för brand eller elektrisk stöt.

## TACK FÖR ATT DU VALT ATT KÖPA EN DYSON AIRBLADE WASH+DRY KRANHANDTORK DYSON KUNDTJÄNST

Din handtork har ett skydd på 5 år från inköpsdatum som lyder under villkoren i den begränsade garantin.

Registrera din garanti nu på [www.dyson.com](http://www.dyson.com).

Om du har frågor om din handtork kan du ringa Dysons hjälptelefon och ha information om serienummer samt var och när du köpt enheten.

Notera ditt serienummer här för framtida referens.

Ditt serienummer finns i det nedre högra hörnet på bakplattan, på ett registreringsblad i kartongen, samt på det stora informationsmärket som sitter runt kranen när enheten packas upp.



Bilden är endast avsedd som en illustration.

En omfattande installationsguide medföljer i handtorkens förpackning. Den innehåller detaljerad information om korrekt installation av enheten som MÅSTE följas helt och fullt, inklusive information om dragning av elkablarna. Skada orsakad av felaktig installation omfattas inte av garantin.

Montering av ett ledningsfilter rekommenderas för att förhindra eventuell skada som kan påverka din garanti.

SE

OBS! Se till att spola rent vattenmatningen helt från skräp, kopparspån osv. innan produkten ansluts. Annars kan det hända att magnetspolsventilen skadas. Instruktionerna i den här handboken och i installationsguiden måste följas i sin helhet, eftersom underlåtenhet att göra det kan resultera i felaktig funktion, skada på material och/eller person. Det rekommenderas att en isoleringsventil monteras tillsammans med den här produkten under installationen. Dyson kommer inte att ansvara för eventuell materiell eller personlig skada eller för förlorat arbete eller förlorad inkomst, om du, din personal, din installatör eller din servicetekniker inte följt instruktionerna i den här handboken och i installationsguiden.

## SKÖTSEL AV DIN HANDTORK

### ⚠ VARNING

Den här produkten ska inte användas över handfat som har bottenplugg. Se till att bottenventilen inte är blockerad och att vattnet kan rinna ur handfatet innan vattnet sätts på.

### ANVÄNDNING

Placera händerna under Dyson handtork för att få vattnet att flöda automatiskt så länge du håller kvar händerna.

För bästa torkningsresultat:

- Håll dina händer plant och parallellt mot apparatens yta, ca. 5 mm från bladet och för händerna genom luftflödet från vristen till fingerspetsen.
- Dra händerna sakta fram och tillbaka genom luften i en konstant hastighet på ca. 2,5 sekunder per sida och vänd på dem så att både handflatan och handryggen hamnar i luftflödet.
- Håll händerna plant, stäng mellanrummen mellan fingrarna och håll in tummarna för att se till att hela handen dras genom luftflödet.

### FELSÖKNINGSGUIDE

#### ⚠ VARNING! RISK FÖR ELEKTRISK STÖT.

Problem	Åtgärd
Handtorken startar inte.	Kontrollera att säkringen/strömbrytaren fungerar och att strömmen är ansluten. Måste utföras av en behörig elektriker. Kontrollera att rengöringslocket är borttaget och att sensorerna är rena och inte blockerade. Starta om enheten om det finns en säker omkopplingsmetod tillgänglig. Om det inte finns någon sådan metod tillgänglig måste en behörig elektriker utföra detta.
Handtorken slås på och stängs av av sig själv.	Kontrollera att sensorerna är rena och inte blockeras. Kontrollera att sensorkabeln från kranen är ordentligt ansluten. Måste utföras av en behörig elektriker.
Handtorken stannar ibland när den används, men startar igen efter en stund.	Kontrollera att luftintaget är rent och fritt från damm. Avlägsna eventuellt damm från luftintaget. Kontrollera att luftintaget inte är blockerat och att det har tillräckligt med utrymme (se installationsanvisningarna).

Handtorkens torktid har ökat.	Kontrollera om luftintaget är dammig och rengör det vid behov. Kontrollera filtret och byt ut det om det behövs. Kontrollera att slangen är ordentligt ansluten till kranens bas och att inget läckage förekommer. Måste utföras av en behörig elektriker.
Luft flödar kontinuerligt ut ur handtorken.	Kontrollera att sensorerna är rena och inte blockeras.
Det kommer ingen luft ur handtorken.	Kontrollera att säkringen/strömbrytaren fungerar och att strömmen är ansluten. Måste utföras av en behörig elektriker. Kontrollera att luftslangen är ordentligt ansluten till kranens bas och att inget läckage förekommer. Måste utföras av en behörig elektriker. Kontrollera att sensorkabeln från kranen är ordentligt ansluten. Måste utföras av en behörig elektriker.

## KRAN

Problem	Åtgärd
Vatten rinner hela tiden från kranen.	Kontrollera att sensorerna är rena och inte blockeras.
Det kommer inget vatten ur kranen.	Kontrollera att ström- och vattenmatning är påslagna och att isoleringsventilen är öppen. Måste utföras av en behörig elektriker. Kontrollera att strålsamlaren är fri från skräp och ta bort eventuellt skräp och rengör/byt ut den om det behövs.
Vattnet i kranen är för varmt eller för kallt.	Ring Dysons hjälptelefon.

Kontakta Dysons hjälptelefon om du har ytterligare frågor.

## ANVÄNDNING I UTRYMMEN DÄR MAT TILLREDS

En specialinstallation krävs i utrymmen där livsmedel tillreds. Där måste motortråget och slangen inneslutas i en tvättbar kåpa, eller så måste motortråget sitta på den andra sidan av en vägg med tillräckligt utrymme för rengöring undertill (om tillämpligt) och vara placerad så att enheten befinner sig minst 2,5 meter från oövertäckt mat eller oövertäckta ytor som kommer i kontakt med maten.

## RENGÖRING

Handtorken ska rengöras dagligen.

Torka av sensorerna med hjälp av en mjuk trasa och icke-slipande rengöringsmedel och sätt sedan på rengöringslocket på sensorerna för att förhindra att luft och vatten aktiveras.

Rengör alla kranytor, handfatet, spegeln och eventuella väggar eller tvättställ. När du är färdig ska du **KOMMA IHÅG** att ta bort rengöringslocket.

Rengör **REGELBUNDET** luffinlopp på motortrågets bas (under handfatet). Se till att bottenventilen i handfatet inte är blockerad så att vattnet kan rinna bort.

## VIKTIG INFORMATION

Rengör inte maskinen med högtryckstvätt.

Alla rengöringskemikalier ska användas exakt enligt tillverkarens instruktioner (inklusive lämplig utspädning).

Om en rengöringskemikalie lämnas för länge i maskinen bildas en hinna. Denna kan minska effektiviteten och skada de antimikrobiella ytorna.

Alla kemikalier som avses att användas ska först testas på en liten yta för att bekräfta att de är lämpliga. Var noggrann med att inte låta eventuella skadliga vätskor (förutom rengöringskemikalier) komma i kontakt med produkten, särskilt oljor och alkoholbaserade produkter.

## RIKTLINJER AVSEENDE VATTNET

Den här handtorken har en IP35-klassning.

Om trycktvättar används kan vatten pressas in under höljet.

Vattenskada till följd av felaktig rengöring ogiltigförklarar din garanti.

## AUTOMATISK VATTENSKÖLJNING

Produkten är försedd med automatisk vattensköljning som aktiveras under 60 sekunder, 24 timmar efter senaste användningen. Detta reducerar mängden stillastående vatten och bakteriespridning i produkten.

Se till att produkten alltid är installerad ovanför ett tvättställ med anslutet avlopp.

## RIKTLINJER FÖR BYTE AV MAGNETSPOLE

Det kan bli nödvändigt att byta din handtorks magnetpole. Ring Dysons hjälptelefon om du misstänker att det behövs.

När magnetpolen ska bytas måste handtorken vara bortkopplad från huvudströmmen och vattenmatningen. Om det inte görs kan det leda till allvarlig personskada och/eller materialskada.

## FILTERUNDERHÅLL

Kontrollera luftintaget regelbundet så att det är fritt från damm och skräp. Det bör vara tillräckligt att torka av intaget med en mjuk trasa för att få bort damm och skräp.

Om luftintaget blir igentäppt kan ytterligare rengöring eller ett filterbyte behövas.

I miljöer med hög användningsfrekvens ger en Dyson-sats för filterbyte dig allt som behövs för att byta enhetens HEPA-filer på plats. Ring Dysons hjälptelefon för att få mer information. Rengöring eller byte av din handtorks filter kan utföras genom att noggrant följa de instruktioner som medföljer filterbytessatsen. Kontakta en behörig elektriker eller Dysons hjälptelefon om du är tveksam.

## REPARATION

Ring Dysons hjälptelefon om din handtork behöver repareras. Besök också webbplatsen på [www.dyson.com](http://www.dyson.com).

## INFORMATION OM AVFALLSHANTERING

Dyson-produkter tillverkas av material som i hög grad är återvinningsbara. Kassera den här produkten på ett ansvarsfullt sätt och lämna den till återvinning om så är möjligt.

## GARANTI

### VILLKOR FÖR DYSONS 5-ÅRSGARANTI.

Om du registrerat din enhet online börjar garantin gälla från inköpsdatum.

Behåll inköpsbeviset. Har du inget inköpsbevis börjar garantin gälla 90 dagar efter tillverkningsdatum enligt Dysons redovisning.

När denna enhet säljs inom EU gäller denna garanti endast (i) om enheten installeras och används i det land där den sålts eller (ii), om enheten installeras och används i Österrike, Belgien, Frankrike, Tyskland, Irland, Italien, Nederländerna, Spanien eller Storbritannien och samma modell som denna enhet säljs med samma spänningsmärkning som i det berörda landet. När denna enhet säljs utanför EU gäller denna garanti endast om enheten installeras och används i det land där den sålts.

### VAD GARANTIN OMFATTAR

#### 5 ÅRS GARANTI

Alla fabriksdelar till din handtork garanteras vara fria från defekter vad gäller material och tillverkning om de används i enlighet med bruksanvisningen och installationsguiden under en tid av fem år från garantitidens start.

Ring Dysons hjälppnummer om du vill veta mer.

I de fall där strömfel sker kommer Dyson, under garantiperioden, att reparera utan arbetskostnad.

Arbetet vid byte av motortråg, filter och magnetspole täckts inte. Om funktionsfel sker på dessa delar erbjuds reservdelar som installeras på plats av kunden.

Ring Dysons hjälppnummer om du vill veta mer.

Om ett filterbyte krävs tillhandahåller Dyson en filterbytessats som installeras på plats av kunden.

- Delar som returneras och byts ut av Dyson tillfaller Dyson.
- Reparation eller utbyte av din enhet med stöd av garantin förlänger inte garantiperioden.
- Garantin ger förmåner som går utöver de eventuella lagstadgade rättigheter du kan ha som konsument.

### VAD GARANTIN INTE OMFATTAR

Dyson garanterar ej reparation eller utbyte av en produkt där felet beror på:

- Skada på grund av olyckshändelse, oförsiktighet, missbruk, vårdslöshet, misskötsel eller annan felaktig hantering som inte följer instruktionerna i bruksanvisningen från Dyson.
- Användning av delar som inte monterats eller installerats i enlighet med Dysons anvisningar.
- Användning av delar och tillbehör som inte är äkta Dyson-komponenter.
- Felaktig installation eller installation som inte exakt följer Dysons installationsanvisningar (såvida inte installationen gjorts av Dyson).

- Reparationer eller ändringar som utförs av annan än i enlighet med anvisningar från Dyson.
- Skador som har externa orsaker som transporter, väder, strömavbrott eller ojämn strömstyrka.
- Normalt slitage (säkringar osv).
- Skada som orsakas av rengöring som inte gjorts enligt anvisningarna i bruksanvisningen: t.ex. rengöring med kemikalier eller produkter som anges vara skadliga för enheten.
- Skada som orsakats av vatteninträngning på grund av rengöring eller behandling som är förbjuden enligt bruksanvisningen.
- All elektrisk skada, översvämningsskador eller ytskador eller förlust av inkomst eller vinst som en följd av produktfel. Om du är osäker på vad som täcks av garantin, kontakta Dyson (information finns på baksidan).

### SAMMANFATTNING AV GARANTIN

- Du måste kunna visa upp kvitto (både i original och eventuella följdkvitton) på köp/leverans innan något arbete kan utföras på din Dyson-produkt. Utan kvitto kommer arbetet att utföras mot en kostnad. Kom ihåg att spara ditt inköps- eller leveranskvitto.
- Allt arbete kommer att utföras av Dyson eller dess auktoriserade ombud.

### ANGÅENDE PERSONUPPGIFTER

#### VID REGISTRERING AV DIN DYSON-PRODUKT:

- Du behöver ge oss grundläggande kontaktuppgifter för att registrera din produkt och för att ge oss möjlighet att stötta dig genom garantin.
- När du registrerar dig kommer du att ha möjlighet att välja om du vill ha meddelanden från oss i framtiden eller inte. Om du registrerar dig för att få meddelanden från Dyson kommer vi att skicka information om specialerbjudanden och våra senaste innovationer. Vi säljer aldrig dina uppgifter till tredje parter och använder bara information som du ger oss i enlighet med våra integritetspolicier, vilka finns att läsa på vår webbplats [privacy.dyson.com](http://privacy.dyson.com).



# SK

## DÔLEŽITÉ BEZPEČNOSTNÉ POKYNY

### TIETO POKYNY SI PREČÍTAJTE A USCHOVAJTE

**PRED MONTÁŽOU ALEBO POUŽITÍM TOHTO ZARIADENIA SI PREČÍTAJTE VŠETKY POKYNY A VAROVNÉ OZNAČENIA V TEJTO INŠTALAČNEJ PRÍRUČKE A V NÁVODE NA OBSLUHU.**

**V ZÁUJME ZNÍŽENIA RIZIKA VZNIKU POŽIARU, ÚRAZU ELEKTRICKÝM PRÚDOM ALEBO ZRANENIA OSÔB DBAJTE NA TIETO SKUTOČNOSTI:**

1. Toto zariadenie nie je určené pre osoby (vrátane detí) s obmedzenými fyzickými, zmyslovými alebo duševnými schopnosťami, prípadne nedostatočnými skúsenosťami a vedomosťami, okrem prípadov, keď zariadenie používajú pod dohľadom alebo dostali pokyny na používanie zariadenia od osoby zodpovednej za ich bezpečnosť.
2. Dbajte na to, aby sa jednotka nepoužívala na iné účely, než na umývanie a sušenie rúk. Zariadenie používajte len spôsobom, ktorý určila spoločnosť Dyson. V prípade otázok sa obráťte na zákaznícku linku spoločnosti Dyson.
3. Zariadenie pred servisom odpojte od zdroja elektrickej energie. Skontrolujte, či je vypínač zablokovaný, aby nedošlo k náhodnému zapnutiu zariadenia. Ak sa vypínač nedá zablokovať, na servisný panel pripevnite nápadné upozornenie, napríklad štítok.

Dohliadnite, aby sa deti nehrali so zariadením.

**NA MIESTE UMIESTNENIA TOHTO ZARIADENIA ANI V JEHO BLÍZKOSTI NEPOUŽÍVAJTE ŽIADNE ZARIADENIE NA TLAKOVÉ UMÝVANIE.**

### VÝSTRAHA

**V ZÁUJME ZNÍŽENIA RIZIKA POŽIARU ALEBO ZÁSAHU ELEKTRICKÝM PRÚDOM NEPOUŽÍVAJTE TENTO PRÍSTROJ SPOLU SO ZARIADENÍM TUHEJ FÁZY NA KONTROLU RÝCHLOSTI.**

**VŠETKY MONTÁŽNE PRÁCE A OPRAVY (INŠTALATÉRSKE A ELEKTRIKÁRSKE) MUSÍ VYKONAŤ KVALIFIKOVANÁ OSOBA ALEBO SERVISNÝ TECHNIK SPOLOČNOSTI DYSON V SÚLADE S PLATNÝMI PREDPISMI ALEBO NARIADENIAMÍ.**

### UPOZORNENIE

Sušič rúk je určený pre interiéry. Rozsah prevádzkovej teploty je 0 °C až 40 °C. V záujme zníženia rizika požiaru alebo zásahu elektrickým prúdom nevystavujte vnútorné mechanizmy/komponenty prístroja vlhkosti.

## ĎAKUJEME, ŽE STE SA ROZHODLI PRE KÚPU KOHÚTIKOVÉHO SUŠIČA RÚK AIRBLADE WASH+DRY

### STAROSTLIVOSŤ SPOLOČNOSTI DYSON O ZÁKAZNÍKOV

Záruka na sušič rúk sa poskytuje na obdobie 5 rokov od dátumu zakúpenia, a to za podmienok obmedzenej záruky.

Záruku si môžete zaregistrovať na webovej lokalite [www.dyson.com](http://www.dyson.com).

Ak máte otázky súvisiace so sušičom rúk, zatelefonujte na zákaznícku linku spoločnosti Dyson a uveďte výrobné číslo zariadenia a informácie o tom, kde a kedy ste ho kúpili.

Tu si zapíšete výrobné číslo pre prípad potreby v budúcnosti.

Vaše sériové číslo nájdete v pravom dolnom rohu zadnej dosky, na registračnom formulári vo vnútri balenia alebo na veľkej informačnej nálepke okolo kohútika, ktorú uvidíte pri vybalovaní.



Obrázok slúži len ako príklad.

Všeobecný návod na montáž sušiča rúk nájdete v balení. Obsahuje podrobné informácie o správnej montáži zariadenia, ktoré **MUSÍTE** dodržať vrátane zapojenia elektrických káblov. Záruka sa nevzťahuje na poškodenie spôsobené nesprávnou montážou.

Aby sa zabránilo akémukoľvek poškodeniu, ktoré by mohlo mať vplyv na vašu záruku, odporúča sa nainštalovať priamy filter.

SK

**POZNÁMKA:** Pred pripojením produktu zabezpečte úplné prepláchnutie prívodu vody od odpadu, medených hoblín atď. Ak by sa prepláchnutie neuskutočnilo, mohlo byť dôjsť k poškodeniu solenoidového ventilu.

Pokyny v tomto návode a návode na montáž treba dôsledne dodržať. Nedodržanie týchto pokynov môže mať za následok nesprávne fungovanie, poškodenie majetku alebo úraz. Pri montáži prístroja sa odporúča namontovať izolačný ventil. Spoločnosť Dyson nenesie zodpovednosť za poškodenie majetku ani úraz či stratu podnikateľských príležitostí alebo zisku v prípade, že ste sa vy, vaši zamestnanci alebo montážni či servisní technici neriadili pokynmi v tomto návode a návode na montáž.

## ÚDRŽBA SUŠIČA RÚK

### ⚠ VÝSTRAHA

Tento výrobok sa nesmie používať v umývadlách so zátkou. Pred zapojením vody skontrolujte, či v odtokovom otvore nie sú nejaké prekážky a či voda môže voľne odtekať.

### NÁVOD NA POUŽITIE

Ruky umiestnite pod stred kohútika. Automaticky sa spustí voda, ktorá potečie dovedy, kým budete mať ruky pod zariadením.

Na dosiahnutie čo najkratšieho času sušenia:

- Posuňte ruky na druhú stranu stredného kohútika. Spustí sa sušič rúk, ktorý vytvorí prúd vzduchu na odstránenie vody z rúk.
- Pomaly pohybujte rukami vpred a vzad cez prúd vzduchu a otáčajte ich, aby sa vysušili dlane aj chrbty rúk.
- Ruky majte vystreté, spojte si prsty a priložte k nim aj palec, čím docielite, že prúd vzduchu vám osuší celú ruku.

### SPRIEVODCA RIEŠENÍM PROBLÉMOV

#### ⚠ VÝSTRAHA: NEBEZPEČENSTVO ZÁSAHU ELEKTRICKÝM PRÚDOM!

Problém	Riešenie
Sušič rúk sa nespustí.	Skontrolujte funkčnosť poistiek/ističa a pripojenie napájania a vody. Táto činnosť musí byť vykonaná kvalifikovaným elektrikárom. Skontrolujte, či ste odstránili krytku pri čistení a či sú snímače čisté a nič im neprekáža. Ak je k dispozícii bezpečný spôsob prepínania, jednotku zapnite alebo vypnite. Ak bezpečný spôsob nie je k dispozícii, túto úlohu musí vykonať kvalifikovaný elektrikár.
Sušič rúk sa nepravidelne zapína a vypína.	Skontrolujte, či sú snímače čisté a nie sú vedľa nich žiadne prekážky. Skontrolujte pevnosť pripojenia kábla snímača z kohútika. Táto činnosť musí byť vykonaná kvalifikovaným elektrikárom.
Sušič rúk sa počas prevádzky občas vypne a po určitom čase zase zapne.	Skontrolujte, či je prívod vzduchu čistý a či nie je zaprášený. Z prívodu vzduchu odstráňte prípadný prach. Skontrolujte, či na prívode vzduchu nie sú žiadne prekážky a či má dostatok voľného priestoru (pozri návod na montáž).

Čas sušenia prístroja sa predĺžil.	Skontrolujte, či vstup nie je zaprášený a oprášte ho. Skontrolujte filter a podľa potreby ho vymeňte. Skontrolujte, či je hadica pevne pripojená k podstavcu kohútika a nedochádza k únikom. Táto činnosť musí byť vykonaná kvalifikovaným elektrikárom.
Zo sušiča neustále prúdi vzduch.	Skontrolujte, či sú snímače čisté a nie sú vedľa nich žiadne prekážky.
Zo sušiča vôbec neprúdi vzduch.	Skontrolujte funkčnosť poistiek/ističa a pripojenie napájania a vody. Táto činnosť musí byť vykonaná kvalifikovaným elektrikárom. Skontrolujte, či je vzduchová hadica pevne pripojená k podstavcu kohútika a nedochádza k únikom. Táto činnosť musí byť vykonaná kvalifikovaným elektrikárom. Skontrolujte pevnosť pripojenia kábla snímača z kohútika. Táto činnosť musí byť vykonaná kvalifikovaným elektrikárom.

## KOHÚTIK

Problém	Riešenie
Z kohútika neustále tečie voda.	Skontrolujte, či sú snímače čisté a nie sú vedľa nich žiadne prekážky.
Z kohútika vôbec netečie voda.	Skontrolujte, či je zapnutý prívod elektriny a vody a či je otvorený izolačný ventil. Musí byť vykonaná kvalifikovaným elektrikárom. Skontrolujte, či nie je znečistený prevzdušňovač, podľa potreby ho vyčistite alebo vymeňte.
Voda tečúca z kohútika je príliš horúca alebo studená.	Obráťte sa na zákaznícku linku spoločnosti Dyson.

Ak máte ďalšie otázky, obráťte sa na zákaznícku linku spoločnosti Dyson.

## POUŽITIE V PRIESTOROCH NA PRÍPRAVU JEDLA

V prostredí stravovacích zariadení sa vyžaduje špeciálna inštalácia, v rámci ktorej sa puzdro motora a hadica úplne uzavrujú v čistiteľnom kryte, resp. puzdro motora je potrebné namontovať na opačnú stranu steny a zachovať primeraný voľný priestor na čistenie pod ním (ak je to potrebné). Zariadenie sa v každom prípade musí nachádzať najmenej 2,5 metra od nezakrytých potravín alebo nezakrytých povrchov, ktoré sú v kontakte s potravinami.

## ČISTENIE

Sušič rúk by sa mal čistiť každý deň.

Utrite snímače mäkkou handričkou a neabrazívnym čistiacim prostriedkom. Potom umiestnite

na snímače čistiacu krytku, aby sa zabránilo spusteniu vzduchu a vody. Vyčistite celý povrch kohútika, umývadlo, zrkadlo a všetky steny alebo horné časti pultu. Po dokončení NEZABUDNITE odstrániť krytku používanú pri čistení. PRAVIDELNE čistite prívody vzduchu v dolnej časti motorového priestoru (pod umývadlom). Skontrolujte, či je odtokový otvor voľný a voda môže bez problémov odtekať.

## DÔLEŽITÉ INFORMÁCIE

Neumývajte prístroj pod tlakom.

Všetky chemické čistiace prostriedky treba používať presne podľa pokynov výrobcu (vrátane vhodného riedenia).

Ak necháte chemický čistiaci prostriedok na povrchu prístroja príliš dlho, vytvorí sa povlak. Povlak môže spôsobiť zníženie účinnosti a poškodenie antibakteriálnych povrchov.

Každý chemický prostriedok, ktorý hodláte použiť, by ste najskôr mali vyskúšať na nenápadnom mieste. Je potrebné dbať na to, aby nedošlo ku kontaktu škodlivých kvapalín (iných ako sú čistiace chemikálie) s produktom, predovšetkým olejov a výrobkov na báze alkoholu.

## POKYNY NA PRÁCU S VODOU

Tento sušič rúk má certifikát IP35.

Napríklad pri použití tlakových umývadiel môže do skrine presiaknuť voda.

Poškodenie vodou spôsobené nesprávnym čistením ukončí platnosť záruky.

## AUTOMATICKÉ PREPLACHOVANIE

Výrobok je vybavený funkciou automatického preplachovania, ktoré sa aktivuje 24 hodín po poslednom použití. Doba preplachovania je 60 sekúnd. To umožňuje znížiť stagnáciu vody a množenie baktérií v produkte.

Zabezpečte, aby zariadenie bolo vždy nainštalované nad funkčným umývadlom s voľným a pripojeným odtokom.

## POKYNY NA VÝMENU ELEKTROMAGNETICKÉHO VENTILA

V určitých prípadoch sa musí vymeniť elektromagnetický ventil sušiča rúk. Vtedy sa obráťte na zákaznícku linku spoločnosti Dyson.

Pri výmene elektromagnetického ventilu musíte odpojiť sušič rúk od zdroja napájania elektrickým prúdom a vodou. V opačnom prípade môže dôjsť k zraneniu alebo hmotným škodám.

## ÚDRŽBA FILTRA

Pravidelne kontrolujte, či prívod vzduchu nie je zaprášený a zašpinený. Na odstránenie prachu a nečistôt postačí, ak prívod poutierate mäkkou handričkou.

Ak sa prívod upchá, budete ho musieť dôkladnejšie vyčistiť alebo vymeniť filter.

Ak si to prostredie s vysokou frekvenciou používania vyžaduje, súprava na výmenu filtra Dyson obsahuje všetko potrebné na výmenu filtra HEPA v zariadení priamo na mieste. Viac informácií získate na linke pomoci spoločnosti Dyson.

Čistenie alebo výmenu filtra sušiča rúk možno vykonať dôsledným dodržaním pokynov uvedených v súprave na výmenu filtra. V prípade pochybností sa obráťte na kvalifikovaného elektrikára alebo skontaktujte zákaznícku linku spoločnosti Dyson.

## SERVIS

Ak si sušič rúk vyžaduje servis, zavolajte na linku pomoci spoločnosti Dyson. Môžete navštíviť aj webovú lokalitu [www.dyson.com](http://www.dyson.com).

## INFORMÁCIE O LIKVIDÁCI

Výrobky spoločnosti Dyson sú vyrobené z materiálov s vysokým stupňom recyklácie. Zlikvidujte ich zodpovedne a podľa možností odovzdajte na recykláciu.

## ZÁRUKA

### ZMLUVNÉ PODMIENKY 5-ROČNEJ ZÁRUKY SPOLOČNOSTI DYSON

Ak ste si zariadenie zaregistrovali on-line, záruka začne platiť dňom jeho zakúpenia.

Odložte si doklad o nákupe. Ak ho nemáte, záruka začne plynúť 90 dní od dátumu výroby zariadenia podľa záznamov spoločnosti Dyson.

Ak bude jednotka predaná na území EÚ, táto záruka bude platná iba v prípade, (i) že jednotka bude namontovaná a používaná v zemi, kde bola zakúpená, alebo (ii) že jednotka bude namontovaná a používaná v Rakúsku, Belgicku, Francúzsku, Nemecku, Írsku, Taliansku, Holandsku, Španielsku alebo Veľkej Británii a že sa príslušný model v danej zemi predáva vo verzii pre rovnaké menovité napätie. Ak bude jednotka predaná v zemi mimo EÚ, táto záruka bude platná iba v prípade, že jednotka bude namontovaná a používaná v zemi, kde bola zakúpená.

### NA ČO SA ZÁRUKA VZŤAHUJE

#### 5-ROČNÁ ZÁRUKA

Na všetky výrobné súčasti sušiča rúk sa vzťahuje záruka na pôvodné nedostatky, materiál a spracovanie platná 5 rokov od začiatku záručnej lehoty v prípade použitia v súlade s návodom na použitie a inštalačnou príručkou.

Viac informácií získate na linke pomoci spoločnosti Dyson.

V prípadoch, keď príde k zlyhaniu elektroniky vám spoločnosť Dyson počas záručného krytia garantuje bezplatné vykonanie opravy.

Do tejto kategórie nespadá výmena zostavy motorovej vane, filtra a elektromagnetického ventilu. V prípade poruchy týchto súčastí zákazník dostane k dispozícii náhradné diely, ktoré si vymení priamo u seba.

Viac informácií získate na linke pomoci spoločnosti Dyson.

V prípade výmeny filtra spoločnosť Dyson poskytne súpravu na výmenu filtra, ktorú si zákazník nainštaluje na mieste.

- Všetky vrátené a vymenené súčasti sa stávajú majetkom spoločnosti Dyson.
- Oprava alebo výmena zariadenia v rámci záručného krytia nepredlžuje dobu jeho trvania.
- Záruka poskytuje dodatočné výhody a neovplyvňuje vaše zákonné spotrebiteľské práva.

## NA ČO SA ZÁRUKA NEVZŤAHUJE

Spoločnosť Dyson neposkytuje záruku na opravu ani výmenu produktu, na ktorom vznikla porucha v dôsledku:

- náhodného poškodenia, porúch spôsobených nedbalým používaním či údržbou, úmyselným či neúmyselným nesprávnym použitím, nedbalosťou, vandalizmom, neopatrnou prevádzkou alebo manipuláciou so zariadením spôsobom, ktorý nie je v súlade s návodom na použitie zariadenia Dyson;
- použitia dielov, ktoré nie sú zmontované alebo nainštalované v súlade s pokynmi spoločnosti Dyson;
- použitia dielov alebo príslušenstva, ktoré nie sú pôvodnými dielmi od spoločnosti Dyson;
- nesprávnej montáže alebo montáže, pri ktorej sa dôsledne nedodržiavali montážne pokyny spoločnosti Dyson (okrem prípadov, keď montáž vykonal zamestnanec spoločnosti);
- opráv či úprav nevykonaných v súlade s pokynmi spoločnosti Dyson;
- poškodenia v dôsledku vonkajších vplyvov, ako je preprava, počasie, výpadky či výkyvy elektrickej energie;
- bežného opotrebovania (napr. ističe atď.);
- poškodenia spôsobeného čistením, ktoré nebolo v súlade s pokynmi uvedenými v tomto návode, ako napríklad čistenie chemickými prípravkami alebo výrobkami uvedenými v zozname škodlivých prípravkov;
- poškodenia spôsobeného vniknutím vody v dôsledku čistenia alebo zaobchádzania zakázaného v návode.
- akéhokoľvek poškodenia týkajúceho sa elektriny, vody alebo štruktúrneho poškodenia. Spoločnosť neručí za stratu obchodnej príležitosti alebo zisku v dôsledku zlyhania výrobku. V prípade nejasností týkajúcich sa rozsahu záruky sa obráťte na spoločnosť Dyson (podrobné informácie nájdete na zadnej strane obalu).

### ZHRNUTIE ROZSAHU PÔSOBNOSTI ZÁRUKY

- Pred vykonaním akéhokoľvek úkonu na spotrebiči Dyson alebo pred dodaním náhradných dielov pre spotrebič Dyson sa musíte preukázať dokladom o jeho dodaní/zakúpení (originál dokladu a v prípade opätovného predaja aj ďalšie súvisiace doklady). Bez takých dokladov sa všetky práce na spotrebiči alebo dodané diely spolplatnia. Doklad o zakúpení alebo dodaní si uschovajte.
- Okrem vyššie uvedených výnimiek môže úkony v rámci tejto záruky vykonať jedine spoločnosť Dyson alebo jej autorizovaní zástupcovia.

### VAŠE OSOBNÉ ÚDAJE

#### REGISTRÁCIA VÁŠHO VÝROBKU DYSON:

- Na účely registrácie výrobku a poskytovania podpory týkajúcej sa záruky bude potrebné, aby ste nám poskytli svoje základné kontaktné údaje.
- Počas registrácie budete mať možnosť rozhodnúť sa, či si želáte od nás dostávať oznámenia. V prípade, že sa prihlásite na odber oznámení od spoločnosti Dyson, budeme vám posielat' podrobné informácie o špeciálnych ponukách a novinkách týkajúcich sa našich posledných inovácií. Vaše údaje nikdy nepredáme tretím stranám a informácie, ktoré s nami zdieľate, budeme používať iba v súlade s našimi postupmi pri ochrane osobných údajov, ktoré sú k dispozícii na našej webovej lokalite [privacy.dyson.com](http://privacy.dyson.com).

# SI

## POMEMBNA VARNOSTNA NAVODILA PREBERITE IN SHRANITE TA NAVODILA

**PRED NAMESTITVIJO ALI UPORABO TE NAPRAVE PREBERITE NAVODILA IN OPOZORILA V TEM PRIROČNIKU IN OPOMBAH ZA NAMESTITEV.**

**DA BI ZMANJŠALI NEVARNOST POŽARA, ELEKTRIČNEGA UDARA ALI TELESNIH POŠKODB, UPOŠTEVAJTE NASLEDNJE:**

1. Naprave ne smejo uporabljati osebe (vključno z otroki) z zmanjšanimi telesnimi ali zaznavnimi sposobnostmi oziroma z zmanjšano sposobnostjo presoje ter osebe s pomanjkanjem izkušenj in znanja, razen če napravo uporabljajo pod nadzorom ali po navodilih osebe, ki je zadolžena za njihovo varnost.
2. Zagotovite, da se bo enota uporabljala izključno za sušenje in umivanje rok. Napravo uporabljajte izključno za namene, ki jih je določil proizvajalec. Če imate kakršna koli vprašanja, se obrnite na proizvajalca.
3. Pred servisiranjem v omarici z varovalkami izklopite električno napajanje. Zagotovite, da je odklopnik zaklenjen, da preprečite, da bi se naprava nenamerno vklopila. Če se odklopnika ne da zakleniti, uporabite vidno opozorilo, kot je nalepka, in ga pritrdite na omarico z varovalkami.

Otroke nadzorujte, da se ne bi igrali z napravo.

**ZA ČIŠČENJE NAPRAVE ALI V NJENI OKOLICI NE UPORABLJAJTE TLAČNIH ČISTILNIH NAPRAV.**

### **!** OPOZORILO

**DA ZMANJŠATE NEVARNOST POŽARA ALI ELEKTRIČNEGA UDARA, NAPRAVE NE UPORABLJAJTE S KRMILNIMI NAPRAVAMI BREZ GIBLJIVIH DELOV.**

**MONTAŽO IN POPRAVILA (VODOVODARSKA IN ELEKTRIČNA DELA) MORA OPRAVITI USPOSOBLJENA OSEBA ALI SERVISNI INŽENIR PODJETJA DYSON SKLADNO Z VELJAVNIMI DRŽAVNIMI PREDPISI IN UREDBAMI.**

### **!** POZOR

Sušilnik za roke mora biti nameščen v zaprtih prostorih. Obratovalna temperatura znaša od 0 °C (32 °F) do 40 °C (104 °F). Da zmanjšate nevarnost požara ali električnega udara, notranjih mehanizmov/sestavnih delov naprave ne izpostavljajte vlagi.

## ZAHVALJUJEMO SE VAM ZA NAKUP DYSONOVEGA SUŠILNIKA ZA ROKE S PIPO AIRBLADE WASH+DRY

## DYSONOVA POMOČ UPORABNIKOM

Vaš sušilnik za roke Dyson krije 5-letna garancija, ki velja od datuma nakupa in po pogojih, določenih z omejeno garancijo.

Registrirajte garancijo na [www.dyson.com](http://www.dyson.com).

Če imate kakršna koli vprašanja o sušilniku za roke, se obrnite na Dysonovo telefonsko linijo za pomoč uporabnikom in nam sporočite serijsko številko ter podatke o tem, kje in kdaj ste kupili napravo.

Tukaj vpišite serijsko številko, če jo boste pozneje morda potrebovali.

Serijska številka je v spodnjem desnem kotu hrbtno plošče, na prijavnem obrazcu v škatli in na veliki nalepki s podatki v bližini pipe, ki jo boste našli, ko napravo odstranite iz embalaže.



Slika je zgolj informativna.

Sušilniku za roke je priložen izčrpen inštalacijski vodnik. Priročnik vsebuje podrobne informacije o pravilni inštalaciji enote, vključno s pravilno napeljavo električnih kablov, ki jih MORATE natančno upoštevati. Škode, ki bi lahko nastala zaradi nepravilne inštalacije, garancija ne krije.

Priporočamo montažo linijskega filtra, ki preprečuje morebitne poškodbe, ki bi vplivale na garancijo.

SI

OPOMBA: Preden priključite izdelek, zagotovite, da je dovod vode popolnoma očiščen, da v njem ni smeti, bakrenih opilkov itd. Če tega ne storite, boste poškodovali elektromagnetni ventil.

Navodila v tem priročniku in inštalacijskem vodniku je treba natančno upoštevati, sicer lahko pride do nepravilnega delovanja naprave, poškodbe lastnine ali telesnih poškodb. Priporočljivo je, da med inštalacijo na napravo namestite izolacijski ventil. Dyson ni odgovoren za nobeno materialno škodo ali telesne poškodbe, niti za nobeno poslovno izgubo oziroma izgubo dohodka, če vi, vaše osebje, vaš montažer ali inženirji storitev niste upoštevali navodil v tem priročniku in inštalacijskem vodniku.

## SKRBJ ZA VAŠ SUŠILNIK ZA ROKE

### ⚠ OPOZORILO

Izdelka ne smete uporabljati, če je odtok umivalnika zamašen s čepom. Preden odprete vodo, se prepričajte, da v odtoku ni nobenih ovir in da lahko voda nemoteno odteka.

### NAVODILA ZA UPORABO

Položite roke pod osrednji del pipe in voda bo samodejno pritekala, dokler rok ne boste umaknili.

Za najboljše rezultate sušenja:

- Premaknite roke na katero koli stran pipe in vklopil se bo sušilnik za roke, ki bo s plastmi zraka odstranil vodo z vaših rok.
- Počasi premikajte roke naprej in nazaj skozi zrak in jih pri tem obračajte, tako da jih zrak osuši z vseh strani.
- Dlani držite ravno, prste stisnite drug ob drugega in držite palce k dlani, saj tako poskrbite, da se celotna dlan premika skozi zračni tok.

### ODPRAVLJANJE TEŽAV

#### ⚠ OPOZORILO: NEVARNOST ELEKTRIČNEGA UDARA.

Težava	Dejanje
Sušilnik za roke se ne vklopi.	Preverite delovanje varovalke/prekinjala električnega toka in se prepričajte, da je naprava priklopljena na električno in vodovodno napeljavo. To mora izvesti usposobljen električar. Prepričajte se, da ni nameščen zaščitni pokrov in da so senzorji čisti in neovirani. Če je na voljo varna metoda preklopa, vklopite in izklopite enoto. Če varna metoda preklopa ni na voljo, naj to opravilo izvede usposobljen električar.
Sušilnik za roke se nenadzorovano vklaplja in izklaplja.	Preverite, če so senzorji čisti in neovirani. Prepričajte se, da je kabel senzorja pipe trdno priključen. To mora izvesti usposobljen električar.
Sušilnik za roke se občasno med uporabo izklopi, nato pa se čez nekaj časa ponovno vklopi.	Prepričajte se, da je odprtina za zrak čista in da na njej ni prahu. Z odprtine za prah odstranite morebitni prah. Zagotovite, da na odprtini za zrak ni nobenih ovir in da je okoli nje dovolj prostora (glejte navodila za namestitev).

Čas sušenja sušilnika za roke je daljši kot prej.	Preverite, ali je na odprtini za zrak prah, in ga odstranite. Preglejte filter in ga po potrebi zamenjajte. Prepričajte se, da je cev trdno pritrjena na dno pipe in da nikjer ne pušča. To mora izvesti usposobljen električar.
Iz sušilnika za roke nenehno piha zrak.	Preverite, če so senzori čisti in neovirani.
Iz sušilnika ne piha zrak.	Preverite delovanje varovalke/prekinjala električnega toka in se prepričajte, da je naprava priklopljena na električno in vodovodno napeljavo. To mora izvesti usposobljen električar. Prepričajte se, da je cev za zrak trdno pritrjena na dno pipe in da nikjer ne pušča. To mora izvesti usposobljen električar. Prepričajte se, da je kabel senzorja pipe trdno priključen. To mora izvesti usposobljen električar.

## PIPA

Težava	Dejanje
Iz pipe neprestano teče voda.	Preverite, če so senzori čisti in neovirani.
Iz pipe ne teče voda.	Prepričajte se, da sta vklopljeni električni in voda in da je odprt izolacijski ventil. To mora izvesti usposobljen električar. Prepričajte se, da na prezračevalniku ni umazanije, in ga po potrebi odstranite ter očistite/zamenjajte.
Voda iz pipe je pretirano vroča ali mrzla.	Pokličite Dysonovo telefonsko linijo za pomoč uporabnikom.

Če imate dodatna vprašanja, vas prosimo, da pokličete Dysonovo telefonsko linijo za pomoč uporabnikom.

## UPORABA V PROSTORIH ZA PRIPRAVO HRANE

V okoljih za pripravo hrane je potrebna posebna namestitve, ki mora v celoti ograditi ohišje motorja in cev z ogrođjem, ki ga je mogoče očistiti, oziroma mora biti ohišje motorja na nasprotni strani stene, da zagotavlja dovolj prostora za čiščenje spodaj (če je na voljo), enota pa mora biti vsaj 2,5 metra od nepokrite hrane ali nepokrite površine, ki so v stiku s hrano.

## ČIŠČENJE

Sušilnik za roke je treba čistiti vsak dan. Z mehko krpo in nežnim čistilnim sredstvom obrišite tipala, nato pa nanje namestite zaščitni pokrov, da preprečite vklop zraka in vode. Očistite vse površine pipe, odtok, ogledalo in stene ali zgornje dele pulta. Po čiščenju NE POZABITE odstraniti zaščitnega pokrova. REDNO čistite odprtine za zrak na dnu ohišja motorja (pod odtokom). Zagotovite, da v odprtini odtoka ni ovir in lahko voda nemoteno odteka.

## POMEMBNE INFORMACIJE

Naprave ne čistite s tlačnimi čistilnimi napravami.

Vse kemikalije za čiščenje uporabite skladno z navodili proizvajalca (vključno z ustreznim redčenjem).

Če čistilno sredstvo pustite predolgo na napravi, se bo ustvarila plast. Ta lahko zmanjša učinkovitost antibakterijskih površin.

Kemikalije, ki jih želite uporabiti, najprej preizkusite na neizpostavljeni površini, da preverite, ali so ustrezne. Poleg čistilnih kemikalij bodite pozorni tudi na to, da naprava ne pride v stik s škodljivimi tekočinami, zlasti olji in alkoholnimi izdelki.

## SMERNICE ZA UPORABO VODE

Ta sušilnik za roke ima certifikat IP35.

Pri uporabi tlačnih čistilnih naprav lahko voda vdre v ohišje.

Poškodbe zaradi vode, ki bi nastale pri nepravilnem čiščenju, bodo izničile garancijo.

## SAMODEJNO IZPLAKOVANJE

Enota je opremljena s samodejnim izplakovalnikom vode, ki se 24 ur po zadnji uporabi aktivira za 60 sekund. To pomaga odpravljati zastajanje vode in širjenje bakterij v enoti.

Enota mora biti vedno nameščena nad delujočim umivalnikom z neoviranim in priključenim odtokom.

## SMERNICE ZA ZAMENJAVO ELEKTROMAGNETA

Včasih je treba na sušilniku za roke zamenjati elektromagnet. Če menite, da je potrebna zamenjava, pokličite Dysonovo telefonsko linijo za pomoč uporabnikom.

Med zamenjavo elektromagneta mora biti sušilnik za roke izklopljen iz glavne električne in vodovodne napeljave. V nasprotnem primeru lahko pride do hudih telesnih poškodb ali poškodb lastnine.

## VZDRŽEVANJE FILTRA

Redno preverjajte odprtino za zrak in poskrbite, da na njej ni prahu ali umazanije. Prah in umazanijo lahko enostavno odstranite, tako da odprtino za zrak obrišete z mehko krpo.

Če se odprtina za zrak zamaši, jo je včasih treba dodatno očistiti ali zamenjati filter.

Če je sušilnik nameščen v prostorih, kjer se ga veliko uporablja, lahko filtre HEPA zamenjate na mestu ob pomoči Dysonovega kompleta orodja za menjavo filtrov. Za več informacij pokličite Dysonovo telefonsko linijo za pomoč uporabnikom.

Pri čiščenju ali menjavi filtra sušilnika za roke natančno upoštevajte navodila, priložena kompletu orodja za menjavo filtrov. Ob kakršnih koli nejasnostih se posvetujte z usposobljenim električarjem ali pokličite Dysonovo telefonsko linijo za pomoč uporabnikom.

## SERVISIRANJE

Če vaš sušilnik za roke potrebuje servisiranje, pokličite Dysonovo telefonsko linijo za pomoč uporabnikom. Ravno tako lahko obiščete spletno stran: [www.dyson.com](http://www.dyson.com).

## INFORMACIJE O ODSTRANJEVANJU

Dysonovi izdelki so izdelani iz materialov visoke kakovosti, ki jih je mogoče reciklirati. Izdelek odstranite odgovorno in ga reciklirajte, kadar je to mogoče.

## VAŠA GARANCIJA

### PRAVILA IN POGOJI DYSONOVE 5-LETNE GARANCIJE.

Garancijsko obdobje vam začne veljati z dnevom nakupa, če ste registrirali enoto na spletni strani. Shranite potrdilo o nakupu. Brez potrdila o nakupu bo garancijsko obdobje začelo veljati 90 dni po izdelavi izdelka, skladno z Dysonovo evidenco.

Če je bila enota prodana v državo članico ES, bo garancija veljavna le, (i) če je bila enota montirana in uporabljena v državi, kamor je bila prodana, ali (ii) če je bila enota montirana in uporabljena v Avstriji, Belgiji, Franciji, Nemčiji, na Irskem, v Italiji, na Nizozemskem, v Španiji ali Veliki Britaniji in če je takšna enota v prosti prodaji v državi in omrežna napetost v državi odgovarja nazivni napetosti enote. Če je bila ta enota prodana v državo, ki ni članica ES, bo ta garancija veljavna le, če je bila enota montirana in uporabljena v državi, kamor je bila prodana.

### KAJ KRIJE GARANCIJA

#### 5-LETNA GARANCIJA

Vsi tovarniški deli sušilnika imajo 5-letno garancijo, ki jo lahko uveljavite ob tovarniški napaki v materialu, izdelavi ali delovanju. Garancija ni veljavna, če sušilnik ni bil uporabljen skladno z uporabniški navodili in navodili za montažo.

Če imate dodatna vprašanja, se obrnite na Dysonovo številko za pomoč.

V primeru električne okvare bo Dyson v garancijskem roku opravil ustrezna popravila, uporabniku pa ne bo zaračunal stroške dela.

Stroški zamenjave sestava ohišja motorja, filtra in solenoida niso kriti z garancijo. Če katerikoli od naštetih sestavnih delov odpove, bo naročniku odposlan nov sestavni del, ki pa ga bo moral montirati sam.

Če imate dodatna vprašanja, se obrnite na Dysonovo številko za pomoč.

Če se ugotovi, da je potrebna zamenjava filtra, bo Dyson zagotovil komplet za zamenjavo filtra, ki ga bo lahko zamenjal naročnik na terenu.

- Vsi nadomestni deli, ki ji vrne ali zamenja podjetje Dyson, pripadajo Dysonu.
- Garancijsko obdobje se ne bo podaljšalo zaradi popravila ali zamenjave v garanciji.
- Garancija nudi dodatne ugodnosti, ki ne vplivajo na pravice, ki jih imate po zakonu kot potrošnik.

#### ČESA GARANCIJA NE KRIJE

Dysonova garancija ne krije popravila ali zamenjave izdelka, če je okvara nastala zaradi:

- naključne škode, okvar, ki so posledica malomarne uporabe ali vzdrževanja, namerne ali nenamerne nepravilne uporabe, vandalizma, neprevidne uporabe ali ravnanja z napravo, ki ni skladno z Dysonovim priročnikom za uporabo;
- uporabe delov, ki niso sestavljeni ali montirani skladno z Dysonovimi navodili;
- uporabe delov in nastavkov, ki niso originalni Dysonovi izdelki;
- nepravilne montaže ali montaže, ki ni popolnoma skladna s priloženimi Dysonovimi navodili za montažo (razen, če je montažo izvedel Dyson);
- popravil ali modifikacij, ki niso skladni z Dysonovimi navodili;
- škode zaradi zunanjih dejavnikov, kot so promet, vreme, električni izpadi ali napetostna nihanja;
- normalne obrabe (npr. varovalka- itd.);
- poškodb, povzročenih s čiščenjem, ki ni skladno z navodili v tem priročniku: npr. čiščenje s kemikalijami ali drugimi čistilnimi sredstvi, ki so znani kot nevarni za napravo.

- škode zaradi vdora vode, ki je rezultat čiščenja s postopki, ki so v priročniku izrecno prepovedani;
- električne okvare, poplave ali potresa, oz. izgub, povezanih s poslom ali izpadom dobička, ki so posledica okvare izdelka. Če niste prepričani, kaj vaša garancija krije, se obrnite na podjetje Dyson Dyson (podrobnosti na zadnji platnici).

### POVZETEK KRITJA

- Pred vsakim popravilom naprave Dyson oziroma pred dobavo nadomestnih delov morate predložiti dokazilo o dostavi/nakup (prvem in vseh morebitnih nadaljnjih). Brez dokazila se vse delo in dobavljeni nadomestni deli zaračunajo. Shranite račun ali dobavnico.
- Ob upoštevanju zgornjih izvetij bo vsa dela v okviru garancije izvedel Dyson ali njegovi pooblašeni zastopniki.

### VAROVANJE ZASEBNOSTI

#### PRI REGISTRACIJI IZDELKA DYSON

- Za registracijo in garancijo vašega izdelka potrebujemo vaše osnovne kontaktne podatke.
- Ob registraciji lahko izberete, ali želite prejemati naša obvestila. Če se boste odločili za prejetje obvestil podjetja Dyson, boste prejeli podrobnosti o posebnih ponudbah in novice o naših najnovejših inovacijah. Vaših podatkov ne bomo izročili tretjim osebam. Informacije, ki nam jih boste zaupali, bomo uporabili samo tako, kot je to določeno v pravilniku o zasebnosti na naši spletni strani [privacy.dyson.com](https://www.dyson.com/privacy).



# TH

## คำแนะนำด้านความปลอดภัยที่สำคัญ

### อ่านและเก็บรักษาวิธีการปฏิบัตินี้ไว้

อ่านคำแนะนำและข้อควรระวังทั้งหมดที่แสดงไว้ในคู่มือนี้และคู่มือการติดตั้ง ก่อนทำการติดตั้งหรือใช้อุปกรณ์

เพื่อลดความเสี่ยงในการเกิดเพลิงไหม้ไฟฟ้าช็อต หรือการบาดเจ็บ ให้ทำการสังเกตต่อไปนี้:

1. อุปกรณ์นี้ไม่ได้ออกแบบมาให้ใช้งานโดยบุคคล (รวมถึงเด็ก) ซึ่งมีความบกพร่องทางด้านกายภาพ ประสาทสัมผัส สติปัญญา หรือไม่มีประสบการณ์และความรู้ นอกเสียจากว่า บุคคลเหล่านี้ได้รับการควบคุมหรือให้คำแนะนำเกี่ยวกับการใช้อุปกรณ์โดยผู้รับผิดชอบความปลอดภัยของพวกเขา
2. ห้ามใช้เครื่องเป่ามือเพื่อวัตถุประสงค์อื่นนอกเหนือจากการล้างมือและเป่ามือให้แห้งเท่านั้น ใช้อุปกรณ์นี้ตามวิธีการที่กำหนดโดย Dyson เท่านั้น หากคุณมีข้อสงสัยประการใด กรุณาติดต่อสายด่วนของ Dyson
3. ก่อนการตรวจสอบ ให้ปิดสวิทช์การทำงานที่แผงควบคุมระบบบริการ ตรวจสอบให้แน่ใจว่ามีการล็อกสวิทช์ไว้แล้ว เพื่อป้องกันการเปิดสวิทช์การทำงานโดยไม่ได้ตั้งใจ หากไม่สามารถล็อกสวิทช์ได้ ให้แสดงการแจ้งเตือนบนอุปกรณ์ให้เห็นอย่างชัดเจน เช่น ป้ายแสดงคำเตือน ไว้ที่แผงควบคุมระบบบริการ
4. เด็กควรได้รับการดูแลไม่ให้เล่นกับอุปกรณ์

ห้ามใช้อุปกรณ์ทำความสะอาดแรงดันสูงเพื่อฉีดล้างทำความสะอาด หรือใช้งานใกล้กับตัวเครื่อง

### คำเตือน

เพื่อลดความเสี่ยงในการเกิดเพลิงไหม้ไฟไหม้หรือไฟฟ้าช็อต ห้ามใช้อุปกรณ์นี้ร่วมกับอุปกรณ์ควบคุมความเร็วโรตอลสแตตใด ๆ

งานติดตั้งและซ่อมแซมทั้งหมด (งานท่อและระบบไฟฟ้า) จะต้องดำเนินการโดยช่างที่มีคุณสมบัติเหมาะสมหรือวิศวกรฝ่ายบริการจาก DYSON และจะต้องเป็นไปตามระเบียบหรือข้อกำหนดท้องถิ่น

### ข้อควรระวัง

ควรติดตั้งเครื่องเป่ามือไว้ในอาคาร ช่วงอุณหภูมิแวดล้อมในการทำงานตั้งแต่ 0° เซลเซียส (32° ฟาเรนไฮต์) ถึง 40° องศาเซลเซียส (104° ฟาเรนไฮต์) เพื่อลดความเสี่ยงในการเกิดเพลิงไหม้หรือไฟฟ้าช็อต ห้ามให้กลไก/ส่วนประกอบภายในของอุปกรณ์นี้สัมผัสกับความชื้น

## ขอขอบคุณที่เลือกซื้อเครื่องเป่ามือ Dyson Airblade Wash+Dry

### ฝ่ายบริการลูกค้า DYSON

เครื่องเป่ามือของคุณได้รับความคุ้มครองจากการรับประกันเป็นเวลา 5 ปี นับตั้งแต่วันที่ซื้อ

อุปกรณ์ เื่อไขการรับประกันเป็นไปตามข้อกำหนดการรับประกันแบบจำกัด

ลงทะเบียนสมัครรับประกันได้แล้วที่ [www.dyson.com](http://www.dyson.com)

ถ้าคุณมีข้อสงสัยเกี่ยวกับเครื่องเป่ามือ คุณสามารถโทรศัพท์ติดต่อสายด่วนของ Dyson เพื่อขอความช่วยเหลือ โปรดแจ้งหมายเลขซีเรียล พร้อมระบุสถานที่และเวลาที่ซื้ออุปกรณ์

จดหมายเลขซีเรียลของอุปกรณ์ไว้ที่นี่เพื่อใช้อ้างอิงในอนาคต

หมายเลขซีเรียลของคุณจะอยู่ที่มุมขวากลางของแผ่นปิดด้านหลังเครื่อง บนเอกสารลงทะเบียนในกล่องบรรจุอุปกรณ์ และบนสติ๊กเกอร์ข้อมูลขนาดใหญ่ที่อยู่รอบก้นน้ำซึ่งจะเห็นเมื่อนำอุปกรณ์จากกล่องบรรจุ



ภาพประกอบนี้ใช้เพื่อแสดงเป็นตัวอย่างเท่านั้น

เราจะให้คู่มือการติดตั้งแบบละเอียดมาพร้อมในกล่องบรรจุเครื่องเป่ามือ คู่มือนี้ประกอบด้วยข้อมูลโดยละเอียดเกี่ยวกับวิธีการติดตั้งอุปกรณ์อย่างถูกต้อง ซึ่งจะต้องปฏิบัติตามอย่างเคร่งครัด รวมถึงการเดินสายไฟ การรับประกันจะไม่ครอบคลุมความเสียหายเนื่องจากการติดตั้งที่ไม่ถูกต้อง Dyson แนะนำให้ใช้

ขอแนะนำให้ทำการประกอบแผ่นกรองอากาศให้ถูกต้องเข้า

ที่ เพื่อป้องกันความเสียหายที่อาจจะมีผลกระทบต่อการทำงานของอุปกรณ์ของคุณ

TH

หมายเหตุ: ตรวจสอบให้แน่ใจว่า การเปิดน้ำเข้าเครื่องได้ทำการชะล้างเศษโลหะของแดง ฯลฯ ออกไปจากอุปกรณ์ แล้ว การไม่ได้ทำการตรวจสอบดังกล่าวอาจก่อให้เกิดความเสียหายกับวาล์วโซลินอยด์ได้

จะต้องดำเนินการตามคำแนะนำในคู่มือนี้และคู่มือการติดตั้งอย่างเคร่งครัด ไม่เช่นนั้นแล้ว อาจเป็นสาเหตุให้อุปกรณ์ทำงานไม่ถูกต้อง เกิดความเสียหายต่อทรัพย์สิน และ/หรือ ทำให้เกิดการบาดเจ็บได้ เราแนะนำให้ประกอบวาล์วตัดแยกกับผลิตภัณฑ์นี้ในระหว่างการติดตั้ง **Dyson** จะไม่รับผิดชอบความเสียหายที่เกิดต่อทรัพย์สินหรือผู้ใช้งาน หรือความสูญเสียในทางธุรกิจหรือรายได้ หากคุณ พนักงานของคุณ ผู้ติดตั้งหรือวิศวกรฝ่ายบริการของคุณไม่ปฏิบัติตามคำแนะนำที่ให้ไว้ในคู่มือนี้และคู่มือการติดตั้ง

## การดูแลเครื่องเป่ามือของคุณ

### ⚠ คำเตือน

ห้ามใช้ผลิตภัณฑ์นี้กับอ่างล้างมือที่ติดजूอ่างล้างหน้าอยู่ ก่อนเปิดน้ำ ตรวจสอบให้แน่ใจว่าระบายน้ำไม่มีสิ่งกีดขวางใด ๆ และน้ำสามารถระบายออกได้ง่าย

### วิธีใช้งาน

วางมือของคุณใต้เครื่องเป่ามือ **Dyson** และอุปกรณ์จะทำงานโดยอัตโนมัติ โดยจะสร้างม่านอากาศเพื่อเป่าน้ำออกจากมือของคุณ เพื่อผลลัพธ์ที่ดีที่สุดของระยะเวลาในการเป่ามือให้แห้ง

- วางมือให้แบนราบและขนานไปกับพื้นผิวของอุปกรณ์ ห่างจากช่องลมประมาณ 5 มม. เลื่อนข้อมือขึ้นลงไปยังปลายนิ้วอย่างช้า ๆ ผ่านม่านอากาศ
- เลื่อนมือไปข้างหน้าและถอยหลังผ่านม่านอากาศอย่างช้า ๆ ด้วยความเร็วประมาณ 2.5 วินาทีต่อข้าง พลิกมือเพื่อให้ฝ่ามือและหลังมือได้รับกระแสอากาศอย่างทั่วถึง
- วางมือให้แบนราบและปิดช่องว่างระหว่างนิ้ว และแนบนิ้วหัวแม่มือของคุณให้สนิทกับฝ่ามือของคุณ เพื่อให้แน่ใจว่า ฝ่ามือของคุณทั้งหมดจะเลื่อนผ่านกระแสลมได้อย่างทั่วถึง

## คำแนะนำในการแก้ไขปัญหา

### ⚠ คำเตือน: ระวังอันตรายจากไฟฟ้าช็อต!

ปัญหา	การดำเนินการ
เครื่องเป่ามือไม่ทำงาน	ตรวจสอบฟิวส์/เบรกเกอร์ที่ดวงจรว่ายังทำงานได้ดี และมีการเชื่อมต่อกับแหล่งจ่ายไฟและท่อจ่ายน้ำ จะต้องดำเนินการโดยช่างไฟฟ้าที่มีคุณสมบัติเหมาะสม ตรวจสอบให้แน่ใจว่าได้ถอดฝาครอบสำหรับทำความสะอาดแล้ว และเซ็นเซอร์สะอาดดีไม่มีสิ่งกีดขวาง หากสามารถเปิดปิดสวิตช์ได้อย่างปลอดภัย ให้เปิดและปิดเครื่องใหม่ หากไม่สามารถเปิดปิดสวิตช์ได้อย่างปลอดภัย จะต้องให้ช่างไฟฟ้าที่ผ่านการรับรองเป็นผู้ดำเนินการ
เครื่องเป่ามือเปิดและปิดอย่างไม่ถูกต้อง	ตรวจสอบให้แน่ใจว่าเซ็นเซอร์สะอาดและไม่มีสิ่งกีดขวางใด ๆ ตรวจสอบว่ามีการเชื่อมต่อสายเคเบิลของเซ็นเซอร์จากก๊อคน้ำอย่างแน่นหนาแล้วจะต้องดำเนินการโดยช่างไฟฟ้าที่มีคุณสมบัติเหมาะสม
บางครั้งเครื่องเป่ามืออาจมีการตัดไฟในระหว่างการใช้งาน และจะกลับมามีการทำงานใหม่อีกครั้งหลังจากผ่านไประยะเวลาหนึ่ง	ตรวจสอบว่าช่องดูดอากาศสะอาดและปราศจากฝุ่น กำจัดฝุ่นในช่องนำเข้าอากาศ ตรวจสอบให้แน่ใจว่าช่องดูดอากาศไม่มีสิ่งกีดขวางและมีระยะห่างเพียงพอ (ดูคำแนะนำในการติดตั้ง)
การเป่ามือให้แห้งใช้เวลานานขึ้น	ตรวจสอบว่าฝุ่นบดดูดอากาศ ภาควาด และทำความสะอาด ตรวจสอบตัวกรองและเปลี่ยน หากจำเป็น ตรวจสอบให้แน่ใจว่าได้ยึดท่อเข้ากับฐานของก๊อคน้ำอย่างแน่นหนา และไม่มีกรวยรั่วซึมเกิดขึ้น จะต้องดำเนินการโดยช่างไฟฟ้าที่มีคุณสมบัติเหมาะสม

เครื่องเป่ามือเป่าลมออกมาไม่หยุด	ตรวจสอบให้แน่ใจว่าเซ็นเซอร์สะอาดและไม่มีสิ่งกีดขวางใด ๆ
ไม่มีการเป่าลมออกจากเครื่องเป่ามือ	ตรวจสอบฟิวส์/เบรกเกอร์ที่ดวงจรว่ายังทำงานได้ดี และมีการเชื่อมต่อกับแหล่งจ่ายไฟและท่อจ่ายน้ำ จะต้องดำเนินการโดยช่างไฟฟ้าที่มีคุณสมบัติเหมาะสม ตรวจสอบให้แน่ใจว่าได้ยึดท่ออากาศเข้ากับฐานของก๊อกน้ำอย่างแน่นหนา และไม่มีกรร่วซึมเกิดขึ้น จะต้องดำเนินการโดยช่างไฟฟ้าที่มีคุณสมบัติเหมาะสม ตรวจสอบว่าการเชื่อมต่อสายเคเบิลของเซ็นเซอร์จากก๊อกน้ำอย่างแน่นหนาแล้วจะต้องดำเนินการโดยช่างไฟฟ้าที่มีคุณสมบัติเหมาะสม

## ก๊อกน้ำ

ปัญหา	การดำเนินการ
น้ำไหลออกมากจากก๊อกไม่หยุด	ตรวจสอบให้แน่ใจว่าเซ็นเซอร์สะอาดและไม่มีสิ่งกีดขวางใด ๆ
น้ำไม่ไหลออกมากจากก๊อก	ตรวจสอบให้แน่ใจว่าได้เปิดสวิตช์แหล่งจ่ายไฟและเปิดวาล์วน้ำ พร้อมเปิดวาล์วตัดแยกแล้ว จะต้องดำเนินการโดยช่างไฟฟ้าที่มีคุณสมบัติเหมาะสม ตรวจสอบว่าปากก๊อกน้ำไม่มีสิ่งสกปรก ถอดออกและทำความสะอาด / เปลี่ยนใหม่หากจำเป็น
น้ำที่ไหลออกมากจากก๊อกร้อนหรือเย็นเกินไป	โปรดติดต่อสายด่วนของ <b>Dyson</b>

หากคุณมีข้อสงสัยเพิ่มเติม กรุณาติดต่อสายด่วนของ **Dyson**

## การใช้งานในสถานที่เตรียมอาหาร

สำหรับสถานที่เตรียมอาหาร จำเป็นต้องมีการติดตั้งแบบพิเศษ โดยจะต้องติดตั้งกล่องมอเตอร์และสายในกล่องที่สามารถทำความสะอาดได้ หรือติดตั้งกล่องมอเตอร์ที่ผนังอีกฝั่งหนึ่งเพื่อให้มีพื้นที่ว่างเพียงพอสำหรับทำความสะอาดด้านล่าง (หากเป็นไปได้) และเพื่อให้อุปกรณ์อยู่ห่างจากอาหารที่ไม่มีกรปิดคลุม หรือพื้นผิวที่มีการสัมผัสอาหารซึ่งไม่ได้มีการปิดคลุมอย่างน้อย 2.5 เมตร

## การทำความสะอาด

ควรทำความสะอาดเครื่องเป่ามือทุกวัน

เช็ดเซ็นเซอร์โดยใช้ผ้านุ่ม ๆ และสารทำความสะอาดชนิดไม่มีฤทธิ์

ก๊อกร้อน โปรดสวมหน้ากากสำหรับทำความสะอาดปิดเซ็นเซอร์เอาไว้เพื่อป้องกันการทำงานของเครื่องเป่าและวาล์วน้ำ

ทำความสะอาดพื้นผิวก๊อก อ่าง กระบอก ผนัง และที่อปเคาน์เตอร์ให้ทั่ว เมื่อทำเสร็จแล้วโปรดอย่าลืมถอดฝาครอบสำหรับทำความสะอาดออก

ทำความสะอาดช่องลมเข้าที่ฐานของกล่องมอเตอร์ (ใต้อ่าง) เป็นประจำ ตรวจสอบบูรณะบายน้ำในอ่าง ว่าไม่มีสิ่งกีดขวางอุดตันการระบายน้ำ

## ข้อมูลสำคัญ

ห้ามใช้การฉีดน้ำแรงดันสูงในการทำความสะอาดเครื่อง

สารทำความสะอาดทุกชนิดจะต้องใช้ตามที่ระบุไว้ในคำแนะนำจากผู้ผลิต (และต้องใช้สัดส่วนในการเจือจางที่เหมาะสม)

หากมีสารทำความสะอาดค้างในเครื่องเป็นเวลานาน จะก่อให้เกิดเป็นแผ่นฟิล์มขึ้น ซึ่งอาจทำให้ประสิทธิภาพในการยับยั้งเชื้อแบคทีเรียที่พื้นผิวลดลง

ควรทำการทดสอบสารเคมีที่จะนำมาใช้ในบริเวณที่ไม่เป็นที่สังเกต เพื่อตรวจสอบความเหมาะสมในการใช้งาน ควรระมัดระวังไม่ให้สารเคมีที่เป็นอันตรายใด ๆ (นอกเหนือจากสารทำความสะอาด) สัมผัสกับผลิตภัณฑ์ โดยเฉพาะผลิตภัณฑ์ที่มีส่วนผสมของน้ำมันหรือแอลกอฮอล์

## คำแนะนำเกี่ยวกับการใช้น้ำ

เครื่องเป่ามือนี้ผ่านการรับรองมาตรฐาน IP35

การใช้เครื่องฉีดน้ำแรงดันสูงอาจทำให้น้ำเข้าไปตกค้างในตัวเครื่อง

ความเสี่ยงหากใช้น้ำซึ่งมีสาเหตุจากการทำความสะอาดที่ไม่ถูกต้องจะทำให้การรับประกันเป็นโมฆะ

## ระบบชำระล้างอัตโนมัติ

อุปกรณ์นี้มาพร้อมกับระบบชำระล้างอัตโนมัติที่ติดมาด้วย ซึ่งจะทำงานเป็นเวลา **60** วินาทีหลังจากการใช้ครั้งสุดท้าย **24**

ชั่วโมง ซึ่งจะช่วยลดปัญหาน้ำนิ่งขังและการขยายตัวของแบคทีเรียในตัวอุปกรณ์

ตรวจสอบให้แน่ใจว่าอุปกรณ์ได้รับการติดตั้งอยู่บนอ่างล้างมือสำหรับใช้งานซึ่งต่อท่อระบายน้ำทิ้งและระบบบำบัด

## คำแนะนำในการเปลี่ยนโซลินอยด์

ในบางครั้งอาจจำเป็นต้องเปลี่ยนโซลินอยด์ของเครื่องเป่ามือ ถ้าคุณสงสัยว่าจำเป็นต้องดำเนินการ โปรดติดต่อสายด่วนของ **Dyson**

ขณะเปลี่ยนโซลินอยด์ เครื่องเป่ามือจะต้องตัดการเชื่อมต่อกับแหล่งจ่ายไฟหลักและแหล่งจ่ายน้ำ หากไม่ทำตาม อาจทำให้เกิดการบาดเจ็บสาหัส และ/หรือ เกิดความเสียหายต่อทรัพย์สินได้

## การดูแลรักษาตัวกรอง

ตรวจสอบช่องดูดอากาศเป็นประจำเพื่อให้แน่ใจว่าปราศจากฝุ่นและเศษสิ่งอุด

ตัน การขีดของดูดอากาศด้วยผ้านุ่มก็เพียงพอแล้วสำหรับการกำจัดฝุ่นละอองและเศษสิ่งอุดตัน

หากช่องนำดูดอากาศอุดตัน อาจจะเป็นต้องทำความสะอาดเพิ่มเติมหรือเปลี่ยนตัวกรองใหม่

หากมีความจำเป็นในพื้นที่ที่มีปริมาณที่สูงในการใช้งาน เรามีชุดเปลี่ยนตัวกรอง **Dyson** ซึ่งประกอบด้วยทุกสิ่งที่คุณต้องการในการเปลี่ยนตัวกรอง

**HEPA** ของเครื่องเป่ามือถึงสถานที่ใช้งาน กรุณาติดต่อสายด่วนของ **Dyson** เพื่อรับข้อมูลเพิ่มเติม

การทำความสะอาดหรือการเปลี่ยนตัวกรองของเครื่องเป่ามือจะต้องดำเนินการอย่างระมัดระวัง ตามคำแนะนำที่ให้ไว้ในชุดเปลี่ยนตัวกรอง หากมีข้อ

สงสัยประการใด กรุณาปรึกษาช่างไฟฟ้าที่มีคุณสมบัติเหมาะสม หรือติดต่อสายด่วนของ **Dyson** เพื่อรับความช่วยเหลือหรือขอรับบริการ

## การตรวจสอบ

หากเครื่องเป่ามือของคุณต้องการบริการตรวจสอบ กรุณาติดต่อสายด่วนของ **Dyson** หรือเข้าเยี่ยมชมเว็บไซต์ได้ที่ [www.dyson.com](http://www.dyson.com)

## ข้อมูลการกำจัดวัสดุที่หมดสภาพการใช้งาน

ผลิตภัณฑ์ **Dyson** ผลิตโดยวัสดุรีไซเคิลชนิดรีไซเคิลเมื่อเป็นไปได้

## การรับประกันอุปกรณ์ของคุณ

## ข้อกำหนดและเงื่อนไขในการรับประกันอุปกรณ์ของ DYSON เป็นเวลา 5 ปี

ถ้าคุณลงทะเบียนอุปกรณ์ของคุณของออนไลน์แล้ว การรับประกันของคุณจะเริ่มนับตั้งแต่วันที่ซื้อ อุปกรณ์โปรดเก็บหลักฐาน การซื้อเอาไว้ ถ้าคุณไม่มี

หลักฐานการซื้อ อุปกรณ์ การรับประกันของคุณจะเริ่มนับขึ้น 90 วันหลังจากวันที่ผลิต โดยยึดตามข้อมูล ของ **Dyson**

## สิ่งที่อยู่ภายใต้ความคุ้มครอง

### การรับประกัน 5 ปี

ชิ้นส่วนของเครื่องเป่ามือทุกชิ้นจากโรงงานผ่านการรับประกันว่าจะไม่มีข้อบกพร่องในตัวอุปกรณ์ วัสดุที่ใช้ และงานฝีมือ เมื่อใช้งานโดยสอดคล้องกับคู่มือผู้ใช้งานและคู่มือการติดตั้งเป็นเวลา 5 ปี ตั้งแต่การเริ่มต้นการรับประกัน

โปรดติดต่อสายด่วนของ Dyson เพื่อขอรับข้อมูลเพิ่มเติม

ในกรณีที่เกิดไฟฟ้าดับ Dyson จะดำเนินการซ่อมแซมโดยไม่มีค่าแรงในช่วงเวลารับประกัน

การเปลี่ยนชิ้นส่วนมอเตอร์ตัวกรองและชุดลดแรงสั่นสะเทือนไฟฟ้าไม่ครอบคลุมสำหรับค่าแรง หากชิ้นส่วนเหล่านี้ใช้การไม่ได้ ชิ้นส่วนที่เหลือจะถูกจัดเตรียมไว้ในสถานที่ใช้งานโดยลูกค้าทำการติดตั้งด้วยตนเอง

โปรดติดต่อสายด่วนของ Dyson เพื่อขอรับข้อมูลเพิ่มเติม

เมื่อจำเป็นต้องเปลี่ยนตัวกรอง Dyson จะเตรียมชุดเครื่องมือสำหรับเปลี่ยนตัวกรองไว้ให้ ณ สถานที่ใช้งานเพื่อให้ลูกค้าดำเนินการติดตั้งเอง

เมื่อจำเป็นต้องเปลี่ยนตัวกรอง Dyson จะเตรียมชุดเครื่องมือสำหรับเปลี่ยนตัวกรองไว้ให้ ณ สถานที่ใช้งานเพื่อให้ลูกค้าดำเนินการติดตั้งเอง

- ชิ้นส่วนใดๆ ที่ส่งคืนหรือเปลี่ยนแทนโดย Dyson จะถือเป็นทรัพย์สินของ Dyson
- การเปลี่ยนชิ้นส่วนใดๆ ของอุปกรณ์ในระหว่างการรับประกันนี้ จะไม่ทำให้ระยะเวลาการรับประกันเพิ่มขึ้น
- การรับประกันนี้เป็นการให้สิทธิประโยชน์เพิ่มเติม และจะไม่มีผลกระทบต่อสิทธิ์ตามกฎหมายใดๆ ที่คุณมีในฐานะผู้บริโภค

## สิ่งที่ไม่อยู่ภายใต้ความคุ้มครอง

Dyson ไม่รับประกันการซ่อมหรือเปลี่ยนผลิตภัณฑ์ซึ่งเป็นผลมาจาก:

- ความเสียหายซึ่งเกิดจากอุบัติเหตุ ข้อผิดพลาดที่เกิดจากการปล่อยปลอะละเลยในการใช้งานหรือดูแลรักษา การใช้งานอย่างไม่เหมาะสมทั้งโดยตั้งใจและไม่ตั้งใจ การละเลย การทำลาย การใช้งานหรือหีบจับด้วยความประมาท ซึ่งไม่สอดคล้องกับข้อกำหนดที่ระบุไว้ในคู่มือการใช้งานของ Dyson
- การใช้อะไหล่ที่ไม่ได้ประกอบหรือติดตั้งตามคำแนะนำของ Dyson
- การใช้อะไหล่หรืออุปกรณ์เสริมที่ไม่ใช่ชิ้นส่วนของแท้จาก Dyson
- การติดตั้งที่ผิดพลาด หรือการติดตั้งที่ไม่เป็นไปตามคำแนะนำการติดตั้งของ Dyson (ยกเว้นว่าเป็นการติดตั้งโดย Dyson)
- การซ่อมแซมหรือดัดแปลงที่นอกเหนือจากคำแนะนำของ Dyson
- ความเสียหายจากสาเหตุภายนอกเช่นการขนส่ง สภาพอากาศ ไฟฟ้าดับ หรือไฟกระชาก
- การสึกหรอและเสียหายตามปกติ (เช่น พิวส์ และอื่น ๆ)
- ความเสียหายจากการทำความสะอาดด้วยวิธีการที่ไม่สอดคล้องกับคำแนะนำในคู่มือฉบับนี้ เช่น การทำความสะอาดด้วยเคมี หรือผลิตภัณฑ์ที่เป็นอันตรายต่ออุปกรณ์
- ความเสียหายจากน้ำเข้า ซึ่งมีสาเหตุมาจากการทำความสะอาดหรือการดูแลรักษาที่ไม่เหมาะสม ซึ่งคู่มือฉบับนี้ได้ห้ามไว้
- ความเสียหายจากไฟฟ้า การเกิดน้ำท่วมขัง หรือความเสียหายเชิงโครงสร้าง หรือการสูญเสียทางธุรกิจและรายได้ ซึ่งเป็นผลมาจากความล้มเหลวของผลิตภัณฑ์ ถ้าคุณมีข้อสงสัยเกี่ยวกับความคุ้มครองของการรับประกัน โปรดติดต่อ Dyson (ข้อมูลติดต่ออยู่ที่ปกด้านหลัง)

## สรุปสิทธิคุ้มครอง

- ท่านจะต้องแสดงหลักฐาน (ทั้งต้นฉบับและหลักฐานอื่นที่สร้างขึ้นในภายหลัง) เกี่ยวกับการส่งมอบ/ซื้อสินค้า ก่อนที่อุปกรณ์ Dyson ของท่านจะได้รับการดำเนินการใด ๆ หากไม่มีหลักฐานดังกล่าว ท่านจะต้องเสียค่าใช้จ่ายในการดำเนินการต่าง ๆ โปรดเก็บใบเสร็จหรือใบส่งสินค้าไว้
- งานซ่อมบำรุงทั้งหมดจะดำเนินการโดยเจ้าหน้าที่ของ Dyson หรือตัวแทนที่ได้รับอนุญาตแล้ว

## เกี่ยวกับความเป็นส่วนตัวของท่าน

### เมื่อทำการลงทะเบียนผลิตภัณฑ์ DYSON ของคุณ

- คุณจะต้องให้ข้อมูลการติดต่อที่สามารถติดต่อได้ เพื่อลงทะเบียนผลิตภัณฑ์ และให้เราช่วยเกี่ยวกับการประกันของคุณ
- เมื่อคุณลงทะเบียน คุณจะได้รับโอกาสที่จะเลือกรับหรือไม่รับการติดต่อสื่อสารจากทางเรา เมื่อคุณเลือกที่จะรับการติดต่อสื่อสารจาก Dyson เรา จะทำการส่งรายละเอียดข้อเสนอพิเศษของนวัตกรรมล่าสุดต่าง ๆ ของเราไปให้ เราไม่เคยขายข้อมูลของคุณให้กับผู้อื่น และเราใช้ข้อมูลเพียงแค่นี้ให้คุณให้กับเรา ตามที่เรากำหนดไว้ในนโยบายความเป็นส่วนตัวของเรา ซึ่งสามารถเข้าไปดูได้ที่เว็บไซต์ของเราที่ [privacy.dyson.com](https://www.privacy.dyson.com)

# TR

## ÖNEMLİ GÜVENLİK TALİMATLARI

### BU TALİMATLARI OKUYUN VE MUHAFAZA EDİN

**BU CİHAZI KURMADAN VEYA KULLANMADAN ÖNCE, BU KURULUM KILAVUZUNDAKİ VE KULLANMA KILAVUZUNDAKİ TÜM TALİMATLARI VE UYARI İŞARETLERİNİ DİKKATLİCE OKUYUNUZ.**

**YANGIN, ELEKTRİK ÇARPMASI VEYA FİZİKSEL YARALANMA RİSKLERİNİ AZALTMAK İÇİN, AŞAĞIDAKİ NOKTALARI GÖZ ÖNÜNDE BULUNDURUNUZ:**

1. Bu cihaz, fiziksel, algısal ve zihinsel kapasiteye ya da yeterli deneyim ve bilgiye sahip olmayan kişiler (çocuklar dahil) tarafından, söz konusu kişilerin güvenliğinden sorumlu kişinin cihazın kullanımıyla ilgili talimatları ve gözetimi olmaksızın kullanılamaz.
2. Ünite elleri yıkamak ve kurutmak dışında başka bir amaçla kullanılmamalıdır. Bu ürünü yalnızca Dyson tarafından amaçlandığı biçimde kullanın. Sorularınız olması halinde Dyson Müşteri Hizmetleri ile irtibat kurunuz.
3. Servis işlemleri öncesinde servis panelinden gücü kapatınız. Gücün yanlışlıkla açılmasını önlemek için güç anahtarını kilitlediğinizden emin olunuz. İlgili güç kapatma anahtarı kilitlenmiyorsa, servis paneline etiket gibi görünür bir uyarı işaretini sıkıca tutturunuz.

Makineyle oynamadıklarından emin olmak için çocuklar gözetim altında olmalıdır.

**BU ÜNİTENİN ÜZERİNDE VEYA YAKININDA TEMİZLİK AMAÇLI BASINÇLI YIKAMA DONANIMI KULLANMAYIN.**

### ⚠ UYARI

**YANGIN VEYA ELEKTRİK ÇARPMASI RİSKİNİ AZALTMAK İÇİN BU CİHAZI HERHANGİ BİR KATIHAL HIZ KONTROL CİHAZIYLA BİRLİKTE KULLANMAYIN**

**TÜM ELEKTRİK KURULUM VE ONARIM ÇALIŞMALARI (SU VE ELEKTRİK TEŞİSATI) GEÇERLİ YEREL KURAL VE YÖNETMELİKLERE UYGUN ŞEKİLDE KALİFİYE BİR KİŞİ VEYA DYSON SERVİS MÜHENDİSİ TARAFINDAN GERÇEKLEŞTİRİLMELİDİR.**

### ⚠ DİKKAT

El kurutma makineniz iç mekanlarda kullanım içindir. Çalışma ortam sıcaklığı 0°C (32°F) ila 40°C (104°F) arasındadır. Yangın veya elektrik çarpması tehlikesini en aza indirmek için, makinenin iç mekanizmalarını/parçalarını neme maruz bırakmayın.

**DYSON AIRBLADE WASH+DRY  
BATARYA TİPİ EL KURUTMA MAKİNESİ  
SATIN ALMAYI TERCİH ETTİĞİNİZ İÇİN  
TEŞEKKÜR EDERİZ.**

## DYSON MÜŞTERİ HİZMETLERİ

El kurutma makineniz, satın alma tarihinden itibaren, sınırlı garanti hükümlerine tabi olarak 5 yıllık garanti kapsamındadır.

Garanti için şu adresten cihazınızı hemen kaydedebilirsiniz [www.hakman.com.tr](http://www.hakman.com.tr). El kurutma makineniz ile ilgili bir sorunuz olursa, cihazınızın seri numarası ve ne zaman, nereden aldığınız gibi detaylarla birlikte Dyson Müşteri Hizmetleri'ni arayınız.

Cihazınızın seri numarasını ileride başvurmak üzere bir yere not ediniz.



Seri numarasını arka plakanın sağ alt köşesinde, kutudan çıkan kayıt formunda ve ambalajı açıldıktan sonra bataryanın etrafında bulunan büyük bilgi etiketinde bulabilirsiniz.



Bu çizim yalnızca örnek amaçlıdır.

Kapsamlı kurulum kılavuzu, el kurutma makinesi ambalajının içerisinde yer almaktadır. Bu kılavuzda, cihazın doğru kurulumuyla ilgili ayrıntılı bilgiler verilmiştir. Bu bilgilere, elektrik kablolarının bağlantılarıyla ilgili olanlar da dahil olmak üzere harfiyen UYULMALIDIR. Hatalı kurulumdan kaynaklanan zararlar garanti kapsamına girmez. Garantinizin geçerliliğini etkileyebilecek herhangi bir hasarı önlemek için iç filtre takılması tavsiye edilir.

TR

NOT: Ürünü bağlamadan önce su kaynağının tortu, bakır dolgu vb. parçalardan tamamen temizlendiğine emin olun. Aksi şekilde hareket etmeniz solenoid valfe zarar verir.

Bu el kitabı ve kurulum kılavuzundaki talimatlara harfiyen uyulmalıdır. Talimatlara uyulmaması hatalı çalışma, maddi zarar ve/veya fiziksel yaralanmalara neden olabilir. Kurulum esnasında bu ürüne bir kapama musluğu takılması önerilir. Siz, personeliniz, ürününüzü kuran kişi veya servis mühendislerinizin bu el kitabı ve kurulum kılavuzunda verilen talimatlara uymamasından kaynaklanan herhangi bir maddi zarar veya kişisel yaralanma ya da iş veya gelir kaybından Dyson sorumlu tutulamaz.

## EL KURUTMA MAKİNESİNİZİN BAKIMI

### ⚠ UYARI

Bu ürün bir fişin takılı olduğu lavabolarda kullanılmamalıdır. Su akışı öncesi tapa deliği tıkalı olmamalı ve su serbest şekilde tahliye olabilmelidir.

### KULLANIM

Ellerinizi musluğun tam altına yerleştirin. Elleriniz bu şekilde kaldığı sürece su otomatik olarak akacaktır.

En iyi kurutma süresi sonuçları için:

- Ellerinizi orta musluğun her iki yanından birisine yerleştirin. El kurutma makinesi çalışmaya başlayacak ve suyu ellerinizden sıyrarak bir hava akımı oluşturacaktır.
- Ellerinizi hava içerisinde yavaşça ileri ve geri hareket ettirin, ters çevirerek elinizin ön ve arka kısmının hava akışına maruz kalmasını sağlayın.
- Elinizin tümünün hava akışının içinden geçtiğinden emin olmak için ellerinizi düz tutun, parmaklarınızı arasını kapatın ve başparmağınızı içeride tutun.

## SORUN GİDERME REHBERİ

### ⚠ UYARI: ELEKTRİK ÇARPMASI RİSKİ!

Sorun	Eylem
El kurutma makinesi çalışmıyor.	Sigorta/devre kesicinin çalışıp çalışmadığını, güç ve su beslemesinin bağlı olup olmadığını kontrol edin. Bu işlem nitelikli bir elektrikçi tarafından yapılmalıdır. Temizlik başlığının sökölü ve sensörlerin temiz ve tıkanmamış olduğuna emin olun. Güvenli bir açma kapama yöntemi mevcutsa, cihazı açıp kapatın. Güvenli bir açma kapama yöntemi mevcut değilse bu işlemi kalifiye bir elektrikçi yapmalıdır.
El kurutma makinesi düzensiz şekilde açılıp kapanıyor.	Sensörlerin temiz olduğuna ve herhangi bir şekilde engellenmediğine emin olun. Musluktan gelen sensör kablosunun sıkıca bağlanmış olduğuna emin olun. Bu işlem nitelikli bir elektrikçi tarafından yapılmalıdır.
El kurutma makinesi çalışma sırasında bazen devreden çıkıyor ve bir süre sonra tekrar çalışmaya başlıyor.	Hava girişinin temiz ve tozdan temizlenmiş olduğuna emin olun. Hava girişinde toz varsa temizleyin. Hava girişinin engellenmediğine ve makinenin alt kısmında yeterli boşluk olduğuna emin olun (montaj talimatlarına bakınız).

El kurutma makinesinin kurutma süresi son zamanlarda arttı.	Giriş hattında toz olup olmadığını kontrol edin ve temizleyin. Filtreyi kontrol edin ve gerekirse değiştirin. Hortumun musluk kaidesine sıkıca bağlı olduğuna ve herhangi bir kaçak olmadığına emin olun. Bu işlem nitelikli bir elektrikçi tarafından yapılmalıdır.
El kurutma makinesinde hava akışı sürekli.	Sensörlerin temiz olduğuna ve herhangi bir şekilde engellenmediğine emin olun.
El kurutma makinesinden hava gelmiyor.	Sigorta/devre kesicinin çalışıp çalışmadığını, güç ve su beslemesinin bağlı olup olmadığını kontrol edin. Bu işlem nitelikli bir elektrikçi tarafından yapılmalıdır. Hava hortumunun musluk kaidesine sıkıca bağlı olduğuna ve herhangi bir kaçak olmadığına emin olun. Bu işlem nitelikli bir elektrikçi tarafından yapılmalıdır. Musluktan gelen sensör kablosunun sıkıca bağlanmış olduğuna emin olun. Bu işlem nitelikli bir elektrikçi tarafından yapılmalıdır.

## MUSLUK

Sorun	Eylem
Su musluktan sürekli olarak akıyor.	Sensörlerin temiz olduğuna ve herhangi bir şekilde engellenmediğine emin olun.
Musluktan su gelmiyor.	Güç ve su beslemelerinin açık ve kapama vanasının açık olduğuna emin olun. Bu işlem nitelikli bir elektrikçi tarafından yapılmalıdır. Havalandırma aygıtının temiz olduğuna emin olun ve gerekirse temizleyin/değiştirin.
Musluktan gelen su aşırı sıcak veya soğuk.	Dyson Müşteri Hizmetleri ile irtibata geçin.

İlave sorularınız olması halinde Dyson Müşteri Hizmetleri ile irtibata geçiniz.

## YİYECEK HAZIRLAMA ALANLARINDA KULLANIM

Yemek hazırlanan ortamlar için özel bir montaj yapılmalıdır. Bu montajda motor kovası ve hortum tamamen temizlenebilir bir muhafaza içinde saklanmalı veya motor kovası duvarın ters tarafında durmalıdır. Alt kısmın temizlenmesi için (geçerliyse) yeterli mesafe bırakılmalı ve ünite üstü açık gıdalardan veya üstü açık gıdayla temas eden yüzeylerden en az 2, 5 metre uzaklıkta olmalıdır.

## TEMİZLİK

Dyson el kurutma makinesi günlük olarak temizlenmelidir. Sensörleri yumuşak bir bez ve aşındırıcı olmayan bir temizleyiciye temizleyerek silin. Daha sonra temizlik kapağını sensörlerin üzerine yerleştirerek hava ve suyun aktif hale gelmesini engelleyin.

Lavabo, ayna, duvarlar ve tezgah üstleri gibi tüm yüzeyleri temizleyin. İşiniz bittiğinde temizlik kapağını çıkarmayı UNUTMAYIN. Motor kutusunun tabanında bulunan temiz hava girişlerini DÜZENLİ olarak temizleyin (lavabonun altında). Lavabonuzdaki giderin tıkalı olmadığından ve suyun serbestçe akabildiğinden emin olun.

## ÖNEMLİ BİLGİ

Makineyi basınçlı suyla yıkamayın. Tüm temizlik maddeleri, (uygun inceltme de dahil olmak üzere) üreticinin talimatlarına uygun şekilde kullanılmalıdır. Herhangi bir temizlik kimyasalı cihaz üzerinde uzun süre kalırsa ince bir tabaka oluşur. Bu durum, etkinliğin azalmasına ve antimikrobiyal yüzeylerin zarar görmesine neden olabilir. Cihazın temizliğinde kullanılmak istenen herhangi bir temizlik maddesi, cihaza uygunluğunun doğrulanması için öncelikle makinenin göze çarpmayan bir kısmında test edilmelidir. Başta yağlar ve alkol tabanlı ürünler olmak üzere zararlı sıvıların (temizlik kimyasalları hariç) ürünle temas etmemesine dikkat edilmelidir.

## SU KULLANIMIYLA İLGİLİ TALİMATLAR

Bu el kurutma makinesi IP35 sertifikasyonuna sahiptir. Basınçlı yıkayıcıların kullanımı makine muhafazası içerisine su girmesine neden olabilir. Yanlış temizlik uygulamaları sonucu suyun neden olduğu zarar, garantinizi geçersiz kılar.

## OTOMATİK SU BOŞALTMA SİSTEMİ

Ünite, son kullanımdan 24 saat sonra 60 saniye boyunca devreye giren sabit bir otomatik su boşaltma sistemi ile donatılmıştır. Bu sistem ürünün içindeki suyun uzun süre durağan kalmasını önler ve bakteri çoğalmasını azaltmaya yardımcı olur. Ünitenin daima, bağımsız ve kanalizasyona bağlı işlevsel bir lavabo sistemi üzerine takılı olduğundan emin olun.

## SOLENOİD DEĞİŞİMİYLE İLGİLİ TALİMATLAR

El kurutma makineniz üzerindeki solenoidi değiştirmeniz gerekebilir. Sorunun bu olduğundan şüphelenirseniz, Müşteri Hizmetleri Hattı ile irtibata geçiniz. Solenoid değiştirilirken, el kurutma makinesine verilen şebeke gerilimi ve su beslemesi kesilmelidir. Aksi halde ciddi yaralanmalar ve/veya maddi hasarlar meydana gelebilir.

## FİLTRE BAKIMI

Hava girişi, toz ve kire karşı düzenli olarak kontrol edilmelidir. Hava girişinin yumuşak bir bezle silinmesi toz ve kirin temizlenmesi için yeterli olacaktır. Hava girişi tıkanırsa, filtrenin daha fazla temizlenmesi ya da değiştirilmesi gerekebilir. Makine kullanımının yoğun olduğu ortamlarda bulunuyorsa, Dyson filtre değişim seti cihazınızın HEPA filtresinin yerinde değiştirilmesi için gereken her şeyi sağlar. Daha fazla bilgi için Dyson Müşteri Hizmetleri ile iletişime geçin. El kurutma makinenizin filtre temizliği veya değiştirilmesi, filtre değişim setinde verilen talimatların dikkatli bir biçimde uygulanmasıyla yapılabilir. Şüphede durumunda, uzman elektrik teknisyenine danışın veya destek için Dyson Müşteri Hizmetleri ile irtibata geçin.

## SERVİS

El kurutma makinenizin servise ihtiyacı varsa lütfen Dyson Müşteri Hizmetleri'ni arayın. Ayrıca, [www.hakman.com.tr](http://www.hakman.com.tr) adresinden web sitemizi de ziyaret edebilirsiniz.

## ELDEN ÇIKARMA BİLGİSİ

Dyson ürünleri yüksek sınıf geri dönüşümlü malzemelerden yapılmıştır. Lütfen bu ürünü sorumlu bir şekilde elden çıkarın ve mümkün olması halinde ürünün geri dönüşümünü sağlayın.

## GARANTİNİZ

### 5 YILLIK DYSON GARANTİSİNİN KAYIT VE ŞARTLARI:

Cihazınızı internette kaydedirdiyse, garantiniz satın alma tarihinden itibaren geçerli olacaktır. Lütfen satın alma belgenizi saklayın. Satın alma belgeniz yoksa, garantiniz Dyson kayıtlarına göre üretim tarihinden 90 gün sonra başlar. Bu ünite Avrupa Birliği dışında satıldığında, bu garanti sadece ünite satıldığı ülkede kurulduğu ve kullanıldığında geçerlidir.

## GARANTİ KAPSAMINA GİREN DURUMLAR

### 5 YIL GARANTİ

El kurutucunuzun tüm fabrika parçaları, garantinizin başlangıç tarihinden itibaren 5 yıl boyunca üreticinin kullanım kılavuzuna ve kurulum kılavuzuna uygun olarak kullanıldığında üretim hatası, malzeme ve işçiliğe karşı garantilidir.

Lütfen daha fazla bilgi için Dyson Müşteri Hizmetleri'ni arayın.

Elektrik arızalarının meydana geldiği durumlarda Dyson garanti süresi boyunca tamir işlemlerini işçilik ücreti almadan yapacaktır.

Motor çanağı düzeneğinin, filtrenin ve solenoidin değiştirilmesi bu işçilik kapsamına girmez.

Bu parçalar arızalanırsa yedek parçalar müşteri tarafından çalışma yerine getirilecektir.

Lütfen daha fazla bilgi için Dyson Müşteri Hizmetleri'ni arayın.

Bir filtre değişimi gerektiğinde, Dyson kurulum yerinde müşteri tarafından takılacak bir filtre değişim kiti sağlayacaktır.

- Dyson'a iade edilen ve Dyson tarafından değiştirilen tüm parçalar Dyson'ın malı olacaktır.
- Cihazınızın garanti kapsamında gerçekleştirilen onarımı veya değişimi, garantinin süresini uzatmaz.
- Bu garanti, tüketici olarak sahip olduğunuz haklara ek avantajlar sağlamakla birlikte bu haklardan herhangi birini etkilemez.

## GARANTİ KAPSAMINA GİRMİYEN DURUMLAR

Dyson, arıza aşağıdaki durumların sonucu olarak ortaya çıktığında ürünün onarımı veya değişimini garanti etmez:

- Kaza hasarı, ihmalkâr kullanım veya bakımın neden olduğu arızalar, kasıtlı veya kasıtlı olmayan yanlış kullanım, ihmal, şiddet içeren hareketler, cihazın Dyson Çalıştırma Kılavuzu'na uygun olmayan bir biçimde tutulması.
- Dyson talimatlarına göre monte edilmeyen veya takılmayan parçaların kullanımı.
- Orijinal Dyson bileşeni olmayan parçaların kullanımı.
- Hatalı kurulum veya Dyson tarafından verilen kurulum talimatlarına harfiyen uyulmadan yapılan kurulum (kurulumun Dyson tarafından yapıldığı yerler dışında).
- Dyson talimatlarına uygun olmayan şekilde gerçekleştirilen onarımlar ve cihaz üzerindeki değişiklikler.
- Taşıma, hava koşulları, elektrik kesintileri ve güç dalgalanması gibi harici kaynakların neden olduğu zarar.

- Normal aşınma ve yıpranma (örn. sigorta vs.).
- Bu kılavuzdaki talimatlar doğrultusunda uygulanmayan temizleme işlemlerinden kaynaklanan hasarlar: örneğin, cihazın zararlı olduğu belirtilen ürün veya kimyasallar kullanılarak ya da yüksek basınçlı su uygulanarak temizlenmesi.
- Bu kılavuzda yasaklanan durumlardan biri olan temizlik ve bakım nedeniyle cihaza su kaçması.
- Her tür elektrik hasarı, su taşması hasarı veya yapısal hasar veya ürünün arızalanması sonucunda yaşanan iş ve kar kaybı. Garantinizin kapsamında olup olmadığından emin olmadığınız durumlar için lütfen Dyson ile irtibata geçiniz (ayrıntılar için arka kapağa bakınız).

## GARANTİ KAPSAMI ÖZETİ

- Cihazınıza garanti kapsamında herhangi bir işlem uygulanmadan önce, ürünü satın aldığınızı gösteren evrakları yetkiliye sunmalısınız (Hem orijinal hem de herhangi müteakip). İlgili evrakların temin edilememesi durumunda yapılan işlem ücrete tabi olacaktır. Lütfen fatura veya teslimat fişini saklayın.
- Tüm işlemler Dyson ya da Dyson tarafından belirtilen yetkili teknik servis tarafından yapılacaktır.

## KİŞİSEL DOKUNULMAZLIĞINIZ HAKKINDA

### DYSON ÜRÜNÜNÜZÜN KAYDI:

- Ürününüzü kaydetmek ve garantinizi desteklememizi sağlamak için bize temel iletişim bilgilerinizi vermeniz gerekecek.
- Kayıt olduktan sonra tarafımızca sizinle iletişime geçilmesini isteyip istememeyi seçme fırsatınız olacak. Dyson'dan iletişimlerinizi almayı tercih ederseniz, size özel tekliflerimizin ayrıntılarını ve en son yeniliklerimize dair haberler göndereceğiz. Hiçbir zaman bilgilerinizi üçüncü şahıslara satmayacağız ve bizimle paylaştığınız bilgileri sadece, internet sitemizde
- [privacy.dyson.com](https://privacy.dyson.com) bulunan gizlilik politikamızda tanımlanan şekilde kullanacağız.



# TW/HK/MO

## 重要安全注意事項

### 請仔細閱讀並妥善保管說明手冊

在安裝或使用本產品前，請先閱讀本手冊和安裝說明的所有指示及警告提示

為了降低火災燃燒、電擊或人員受傷的危險，請遵守下列說明：

1. 本裝置不適合行動不便、知覺或推理障礙的人士使用，亦不適合缺乏使用經驗或一定程度認識者使用（包括兒童），除非在專人指導或監督，確保安全無虞的情況下方能使用。
2. 除了用來洗手和乾手，乾手機不得供作其他目的之用。只能按照製造商的指定方式使用本產品。如有疑問，請聯絡製造商。
3. 維修前，關閉位於服務面板的電源。確定開關已鎖定，以防止電源意外開啟。若無法鎖定電源關閉工具，則將顯眼的警告裝置（例如標籤）穩固鎖入服務面板。

請慎防兒童玩耍本產品。

請勿使用任何壓力清洗設備清潔產品本身或附近。

### 警告

為了降低火災燃燒或電擊的危險，請勿將本產品與任何固態速度控制裝置一起使用

所有的安裝與維修工作（配管及電線佈線）應由合格人員或戴森服務工程師按目前當地法規或條例的規定執行。

### 警告

乾手機應安裝於室內。操作環境溫度範圍介於 0° C (32° F) 至 40° C (104° F) 之間。為了降低起火燃燒或電擊的危險，請勿將本產品的內部結構/組件曝露於潮濕的環境中。

## 感謝您選購 Dyson Airblade Wash+Dry 乾手機

### 戴森客戶服務

您的乾手機享有自購買日起 5 年的保固服務，但需遵守有限保固條款的規定。

現在立即註冊保固，網址：[www.dyson.com](http://www.dyson.com)。

如果您對戴森乾手機有任何疑問，請撥打戴森服務專線，並提供您的序號及購買地點與時間等資訊。

在此記下您的序號以備日後參考。

可在背板的右下角、箱上的註冊表上找到序號，或於裝置開箱後，在水龍頭周圍的大型資訊貼紙上也可查閱序號。



本說明僅供示範之用。

乾手機包裝內附完整的安裝指南。裡面有正確安裝本裝置的詳細資訊，包括電線佈線等均須完全遵照指示。因安裝不正確造成的損壞不屬於保固範圍。Dyson 建議使用 15 安培斷路器與專用線路和中線。請洽詢合格的水電工來為您特定的安裝決定特定的需求。安裝工作和電線佈線必須由合格的水電工按照所有適用法律、法規和標準執行。建議裝配內置濾網，以免因有任何損壞而影響您的保固權益。

TW  
HK  
MO

備註：確保在連接至本產品之前，已完全沖掉給水管中的碎屑、銅末等雜物。否則會損壞電磁閥。

必須完全遵照本手冊和安裝指南的指示，否則可能導致操作不正確、財產損壞和/或人員受傷。建議在安裝期間於本產品安裝隔離閥。如果您、您的職員、安裝人員或維修工程師未遵照本手冊和本安裝指南的指示，戴森將不承擔任何財產損壞或人員受傷或是任何業務或收入損失的責任。

## 維護乾手機

### ⚠ 警告

本產品不可用於有柵式塞孔的水槽。在放出水流之前，請確定塞孔中沒有任何阻塞，同時水能夠順利排出。

## 如何使用

將您的雙手放置在戴森乾手機的下方，乾手機會自動啟動，產生的氣流會帶走您手上的水份。為獲得最佳的乾手時間效果：

- 將雙方放平，使其與乾手機表面平行，距窄風口約 5 mm，從手腕往指尖經氣流抽回雙手。
- 讓雙手勻速緩緩經過氣流，每次交替手掌和手背，每面用時約 2.5 秒。
- 將雙手放平，使手指併攏，並且拇指向內，確保整隻手都經過氣流。

## 問題解決指南

### ⚠ 警告：有電擊的危險。

問題	解決措施
乾手機無法啟動。	檢查保險絲/斷路器是否正常工作，以及電源是否已經連接。必須由合格電工來執行。請確定清潔蓋已經移除，同時感應器已清潔而且沒有阻塞。如果有安全的開關方式可以使用，請開啟裝置電源然後再關閉。如果沒有安全的方式，應請電工來執行此工作。
乾手機不規則地啟動及關閉。	請確保感應器是乾淨的，而且沒有任何障礙物。檢查感應器纜線是否確實與水龍頭連接。必須由合格電工來執行。
乾手機有時候會在使用時突然中斷，但在經過一些時間後即會恢復操作。	檢查入氣口是乾淨並且沒有灰塵。擦除入氣口的任何灰塵。請確定入氣口沒有阻塞而且有足夠的間隙 (請參閱安裝說明)。
乾手機吹乾手的時間增加了。	檢查入氣格柵是否有灰塵並擦除。檢查濾網並視乎需要更換。請確定軟管已確實連接至水龍頭的底部，而且沒有洩漏的情況。必須由合格電工來執行。
氣流持續不斷從乾手機冒出。	請確保感應器是乾淨的，而且沒有任何障礙物。
乾手機沒有氣流吹出。	檢查保險絲/斷路器是否正常工作，以及電源是否已經連接。必須由合格電工來執行。請確定通氣軟管已確實連接至水龍頭的底部，而且沒有洩漏的情況。必須由合格電工來執行。檢查感應器纜線是否確實與水龍頭連接。必須由合格電工來執行。

## 水龍頭

問題	解決措施
從水龍頭持續不斷冒出水來。	請確保感應器是乾淨的，而且沒有任何障礙物。
水龍頭沒有水流出。	請確定已開啟供電與供水，同時已經開啟隔離閥。必須由合格電工來執行。 請確定通風裝置沒有任何碎屑存在，若有需要，請去除並清潔/ 更換。
從水龍頭冒出的水過熱或過冷。	聯絡戴森服務專線。

如果您有任何進一步的問題，請聯絡戴森服務專線。

## 在食物準備區使用

對於食品準備環境，要求採取特殊安裝方式，其中必須將馬達箱與軟管完全封閉在可清潔的外殼之內，或將馬達箱置於牆壁反側，以提供充分的間隙便於清潔底側（若適用），並使得裝置與未覆蓋食品或未覆蓋的食品接觸面距離至少 2.5 公尺。

## 清潔

乾手機應每天清潔。

使用軟布與非研磨性的清潔劑擦拭感應器，然後將清潔蓋放在感應器上，以防止意外啟動水流和氣流。

清潔所有的水龍頭表面、水槽、鏡子以及任何牆壁或是工作檯面。完成時，請記得取下清潔蓋。定期清潔馬達箱底部的入氣口（在水槽下）。請確定水槽中的塞孔沒有阻塞，水可以順利排出。

## 重要資訊

請勿用壓力清洗機器。

所有化學清潔產品均應確實按照製造商說明手冊的指示使用（包括適當的稀釋）。

若清潔產品停留在機器上面的時間太長，就會產生一層薄膜。這可能會降低抗菌表面的效果。

打算使用任何化學產品之前，應先在不顯眼的區域測試，確定是否適合。應小心避免任何有害的液體（除了化學清潔劑以外）接觸到本產品。

## 用水指南

這台乾手機擁有 IP35 認證。

使用壓力清潔會迫使水份進入外殼。

因不正確清潔而導致產品因水受損會使保固失效。

## 自動例行沖洗

本設備配備有固定自動沖水裝置，於最後一次使用後 24 小時啟動 60 秒鐘。如此有助於降低產品內部發生死水壅塞與細菌滋生等現象。

請確保本設備始終安裝於功能運作良好且具有通暢排水管線的洗手台上方。

## 電磁閥更換指南

乾手機上的電磁閥可能需要更換。如果您認為需要更換，請聯絡戴森服務專線。

在更換電磁閥時，必須將乾手機的電源插頭拔掉，同時中斷給水連接。如不依照建議，可能會導致嚴重受傷和/ 或財產損失。

## 濾網維護

定期檢查入氣口，確保沒有灰塵和碎屑。只要用軟布擦拭入氣口即可去除灰塵和碎屑。

如果入氣口堵塞，可能需要進一步清潔或更換濾網。

若需要頻繁使用的環境，戴森濾網更換套件內含在現場更換裝置的 HEPA 濾網所需的全部物品。如需詳細資訊，請撥打戴森服務專線。

乾手機的濾網必須遵循濾網更換套件隨附的說明手冊，小心清潔或更換。如果有疑問，請洽合格電工或戴森服務專線，以尋求支援。

## 維修

如果乾手機需要維修，請撥打戴森服務專線。另外請瀏覽網站：[www.dyson.com](http://www.dyson.com)

## 棄置資訊

戴森產品是由高級的可回收材料所製造。請盡責地棄置本產品，並儘可能將其回收。

## 您的保固

戴森 5 年保固的條款和條件。

一旦您在線上註冊裝置之後，您的保固將於購買日期開始生效。請保留您的購買證明。如果您未能保留購買證明，您的保固將於製造日期（根據戴森的記錄）之後的 90 天開始生效。

倘若本裝置在銷售地以外的國家/地區安裝與使用，則本保固將失效。最終消費者依據產品銷售所適用的國家法規享有不可撤銷的合法權利，此類權利不受保固條款規定的影響。

## 保固範圍

### 5 年保固

在遵照用戶手冊以及安裝指南的情況下使用時，茲保證戴森乾手機的所有出廠零件在保固開始的 5 年期間不致出現原始瑕疵、材料與工藝方面的問題。

如需詳細資訊，請與戴森服務專線聯絡。

倘若發生電氣故障的情況，戴森將負責進行維修並且不收取任何人工費用（在保固期間）。

馬達箱組件、濾網及電磁閥的更換不在人工保固範圍內。倘若這些零件發生故障，我們會將替換件發送給客戶，供客戶於現場安裝。

如需詳細資訊，請與戴森服務專線聯絡。

倘若需要更換濾網，戴森將提供濾網更換套件讓客戶現場安裝。

- 任何退還並且由戴森所更換的零件將屬於戴森的財產。
- 更換仍在保固期間的任何裝置零件並不會延長保固的期間。
- 保固所提供的權益屬於額外性質，並不會影響用戶作為消費者所擁有的法定權利。

TW  
HK  
MO

## 排除內容

倘若因下列原因而導致瑕疵產生，戴森將不提供產品修理或更換的保固：

- 意外性損壞、因使用或保養疏忽所造成的故障、無意或蓄意濫用、疏忽、故意破壞、操作粗心或是處理裝置時未能遵照戴森操作手冊。
- 使用未依照戴森說明手冊組裝或安裝的零件。
- 使用非戴森原廠部件之零件與配件。
- 錯誤安裝，或者在安裝時未能確實遵照戴森所提供的安裝指示（由戴森服務人員安裝者除外）。
- 執行維修或變更時未能遵照戴森所提供的指示。
- 外力造成的損害，例如搬運、天氣、停電或電涌。
- 正常磨損（例如保險絲等）。
- 未遵守本手冊的說明，而在清洗時造成損壞：例如，以明列對本產品有害的化學產品或清潔產品清洗。
- 因本手冊禁止的清潔或處理方式造成進水導致的損壞。
- 任何電氣、進水或結構性損壞，或是因產品故障所導致的任何業務或收入損失。若您對保固範圍有疑問，請聯絡戴森（聯絡詳情位於封底）。

## 保修範圍概要

- 在對您的戴森裝置進行任何維護工作或提供任何更換零件之前，您必須提供（原始與任何後續）交貨/購買的證明。沒有此證明，執行的任何工作或提供的零件都將會收取費用。請保留您的收據或是送貨單。
- 除了上述排除之外，所有根據此保固所執行的處理將由戴森或是其授權的代理商執行。

## 註冊戴森產品時

- 您將需要提供我們基本的聯絡資訊，以註冊產品並讓我們得以支援您的保固。
- 您註冊時，將有機會選擇是否要接收我們的訊息。如果您選擇加入接收戴森的訊息，我們將會傳送特殊優惠的詳細資訊以及最新產品的新聞。我們絕不會將您的資訊賣給第三方，而且只會依據我們網站privacy.dyson.com上提供的隱私權政策所定義，來使用您分享給我們的資訊。

TW  
HK  
MO

UA

## ВАЖЛИВІ ПРАВИЛА БЕЗПЕКИ

### ПРОЧИТАЙТЕ ТА ЗБЕРЕЖІТЬ ЦІ ІНСТРУКЦІЇ

**ПЕРЕД УСТАНОВЛЕННЯМ ЧИ ВИКОРИСТАННЯМ ЦЬОГО ПРИЛАДУ ПРОЧИТАЙТЕ ВСІ ІНСТРУКЦІЇ ТА ОЗНАЙОМТЕСЯ З УСІМА ПОПЕРЕДЖУВАЛЬНИМИ ЗНАКАМИ, НАВЕДЕНИМИ В ЦЬОМУ ПОСІБНИКУ ТА ПОСІБНИКУ З УСТАНОВЛЕННЯ.**

**ЩОБ ЗМЕНШИТИ РИЗИК ВИНИКНЕННЯ ПОЖЕЖІ, УРАЖЕННЯ ЕЛЕКТРИЧНИМ СТРУМОМ АБО ОТРИМАННЯ ТІЛЕСНИХ УШКОДЖЕНЬ, ДОТРИМУЙТЕСЯ НАВЕДЕНИХ НИЖЧЕ ПРАВИЛ.**

1. Цей прилад не призначено для використання особами (зокрема дітьми) з обмеженими фізичними, сенсорними або розумовими можливостями, а також особами, яким бракує досвіду і знань. Такі особи можуть використовувати цей прилад тільки під наглядом або після інструктажу, проведеного відповідальним за їхню безпеку.
2. Прилад дозволяється використовувати лише за призначенням — для миття та сушіння рук. Використовуйте цей прилад лише в спосіб, передбачений виробником. З усіма запитаннями звертайтеся до виробника.
3. Перед обслуговуванням вимкніть живлення на електричному щиті. Переконайтеся, що вимикач заблоковано, щоб запобігти випадковому ввімкненню живлення. Якщо вимикач живлення заблокувати неможливо, надійно закріпіть на електричному щиті помітний попереджувальний знак, як-от ярлик.

Наглядайте за дітьми та не дозволяйте їм гратися з приладом.

**ДЛЯ ОЧИЩЕННЯ ЦЬОГО ПРИЛАДУ АБО ПОВЕРХОНЬ БІЛЯ НЬОГО НЕ ВИКОРИСТОВУЙТЕ АПАРАТИ ВИСОКОГО ТИСКУ АБО ІНШІ СХОЖІ АПАРАТИ.**

## ⚠ ПОПЕРЕДЖЕННЯ

**ЩОБ ЗМЕНШИТИ РИЗИК ВИНИКНЕННЯ ПОЖЕЖІ АБО УРАЖЕННЯ ЕЛЕКТРИЧНИМ СТРУМОМ, НЕ ВИКОРИСТОВУЙТЕ ЦЕЙ ПРИЛАД ІЗ НАПІВПРОВІДНИКОВИМИ РЕГУЛЯТОРАМИ ШВИДКОСТІ СТРУМУ.**

**УСІ РОБОТИ ЗІ ВСТАНОВЛЕННЯ ТА РЕМОНТУ (СЛЮСАРНІ ТА ЕЛЕКТРИЧНІ) МАЮТЬ ВИКОНУВАТИСЯ КВАЛІФІКОВАНИМ СПЕЦІАЛІСТОМ АБО ІНЖЕНЕРОМ З ОБСЛУГОВУВАННЯ КОМПАНІЇ DYSON ВІДПОВІДНО ДО ЧИННИХ МІСЦЕВИХ НОРМ І ПРАВИЛ.**

## ⚠ ЗАСТЕРЕЖЕННЯ

Сушарку для рук призначено для встановлення в приміщенні. Діапазон робочої температури становить від 0 °C (32 °F) до 40 °C (104 °F). Щоб зменшити ризик виникнення пожежі або ураження електричним струмом, не допускайте потрапляння вологи у внутрішні механізми та деталі приладу.

## ДЯКУЄМО, ЩО ПРИДБАЛИ СУШАРКУ ДЛЯ РУК DYSON AIRBLADE WASH+DRY СЛУЖБА ОБСЛУГОВУВАННЯ КЛІЄНТІВ КОМПАНІЇ DYSON

Гарантія на сушарку для рук дійсна протягом 5 років від дати покупки приладу відповідно до умов обмеженої гарантії.

Зареєструйте свою гарантію на такому веб-сайті: [www.dyson.com](http://www.dyson.com).

Якщо у вас виникли запитання щодо сушарки для рук, зверніться до Служби підтримки компанії Dyson, повідомивши серійний номер приладу та відомості про місце й дату його придбання.

Запишіть серійний номер приладу тут на випадок, якщо він знадобиться вам у майбутньому.



Серійний номер міститься в правому нижньому куті паспортної таблички, на реєстраційному аркуші в коробці, а також на великій інформаційній наклейці, яку ви побачите на крані, коли розпакуєте прилад.



Цю ілюстрацію наведено лише для прикладу.

Докладний посібник із встановлення приладу постачається в комплекті із сушаркою для рук. У ньому міститься детальна інформація щодо правильного встановлення приладу. Слід **ОБОВ'ЯЗКОВО** дотримуватися всіх рекомендацій, зокрема правил прокладання електричних кабелів. Збитки, які виникли внаслідок неналежного встановлення приладу, не покриваються гарантією. Рекомендовано обладнати виріб вбудованим фільтром, щоб уникнути пошкодження, які можуть вплинути на гарантійні зобов'язання виробника.

UA

**ПРИМІТКА.** Перш ніж під'єднати до виробу канал подачі води, переконайтеся, що його повністю промито від бруду, мідних ошукрок тощо. Недотримання цієї вимоги призведе до пошкодження соленоїдного клапана.

Слід обов'язково дотримуватись усіх інструкцій, наведених у цьому посібнику та в посібнику із встановлення приладу, оскільки їх недотримання може призвести до збоїв у роботі, матеріальних збитків і/або тілесних ушкоджень. Рекомендується, щоб запірний клапан був змонтований з виробом під час встановлення. Компанія Dyson не несе відповідальності за будь-які матеріальні збитки, тілесні ушкодження, а також за збитки, нанесені бізнесу, і втрату доходу, якщо власник приладу, його співробітники, спеціаліст із встановлення або інженери з обслуговування не дотримувались інструкцій, наведених у цьому посібнику або в посібнику із встановлення.

## ДОГЛЯД ЗА СУШАРКОЮ ДЛЯ РУК

### **⚠ ПОПЕРЕДЖЕННЯ**

Не встановлюйте прилад над раковинами, закритими пробкою. Перш ніж увімкнути подачу води, переконайтеся, що стічний отвір не закупорено і вода може вільно стікати.

### ЕКСПЛУАТАЦІЯ

Помістіть руки під сушарку для рук Dyson, і вона автоматично почне подачу потоків повітря, які здуватимуть воду з рук.

Дотримуйтеся наведених нижче порад для швидкого висушування.

- Тримайте долоні рівно та паралельно поверхні пристрою, на відстані приблизно 5 мм від пластини, просуваючи їх крізь потік повітря від зап'ястків до кінчиків пальців.
- Повільно й розмірено проводьте руками крізь потік повітря, поперемінно обертаючи їх долонями вгору та вниз. Час сушіння з кожного боку має становити приблизно 2,5 секунди.
- Тримайте долоні рівно, щільно зведіть пальці, поверніть великі пальці всередину, щоб крізь потік повітря проходила вся долоня.

## ПОСІБНИК З УСУНЕННЯ НЕСПРАВНОСТЕЙ

### **⚠ ПОПЕРЕДЖЕННЯ: РИЗИК УРАЖЕННЯ ЕЛЕКТРИЧНИМ СТРУМОМ!**

Проблема	Вирішення
Сушарка для рук не вмикається.	Перевірте справність запобіжника, автоматичного вимикача та наявність підключення подачі струму. Цю процедуру має проводити кваліфікований електрик. Переконайтеся, що ковпачок для чищення знято, датчики чисті та їх ніщо не перекриває. Якщо доступний безпечний спосіб перемикання, увімкніть і вимкніть прилад. В іншому випадку це завдання має виконувати кваліфікований електрик.
Сушарка для рук вмикається і вимикається з перебоями.	Переконайтеся, що датчики чисті та сторонні предмети не перешкоджають їх роботі. Переконайтеся, що кабель датчика від крана надійно під'єднано. Цю процедуру має проводити кваліфікований електрик.
Сушарка для рук під час використання іноді вимикається і відновлює роботу через деякий час.	Перевірте, чи впускний повітряний отвір вільний від бруду і пилу. Витріть із нього пил. Переконайтеся, що впускний повітряний отвір не закупорено сторонніми предметами і що він має достатню прохідність (див. інструкції з установлення).
Збільшився час сушіння сушаркою для рук.	Огляньте решітку впускного отвору та витріть наявний пил. Огляньте фільтр і замініть його за потреби. Переконайтеся, що шланг надійно під'єднано до основи крана і що немає течі. Цю процедуру має проводити кваліфікований електрик.
Сушарка для рук безперервно подає повітря.	Переконайтеся, що датчики чисті та сторонні предмети не перешкоджають їх роботі.

Сушарка для рук не подає повітря.	Перевірте справність запобіжника, автоматичного вимикача та наявність підключення подачі струму. Цю процедуру має проводити кваліфікований електрик. Переконайтеся, що повітряний шланг надійно під'єднано до основи крана і що немає течі. Цю процедуру має проводити кваліфікований електрик. Переконайтеся, що кабель датчика від крана надійно під'єднано. Цю процедуру має проводити кваліфікований електрик.
-----------------------------------	--

## КРАН

Проблема	Вирішення
Вода з крана подається безперервно.	Переконайтеся, що датчики чисті та сторонні предмети не перешкоджають їх роботі.
З крана не подається вода.	Переконайтеся, що подачу струму та води ввімкнено і що запірний клапан відкрито. Це має виконувати кваліфікований електрик. Переконайтеся, що пристрій для подачі повітря не засмічено. Зніміть і прочистіть або замініть за необхідності.
З крана подається надто гаряча або холодна вода.	Зверніться до Служби підтримки компанії Dyson.

З усіма запитаннями звертайтеся до Служби підтримки компанії Dyson.

## ВИКОРИСТАННЯ ПРИЛАДУ В ПРИМІЩЕННЯХ, ПРИЗНАЧЕНИХ ДЛЯ ПРИГОТУВАННЯ ЇЖІ

У випадку встановлення в приміщеннях, призначених для приготування їжі, застосовуються особливі вимоги. Консольний електродвигун і шланг необхідно розмістити в повністю закритому корпусі, що легко чиститься, або встановити консольний електродвигун на зовнішній стороні стіни, забезпечити належний простір для можливості очищення внизу (якщо застосовно). Крім того, прилад слід установлювати на відстані принаймні 2,5 метра від відкритих харчових продуктів або поверхонь, що з ними контактують.

## ЧИЩЕННЯ

Сушарку для рук потрібно чистити щодня. Протріть датчики м'якою тканиною та неабразивним миючим засобом, а потім накрийте їх ковпачком для чищення, щоб запобігти ввімкненню води та повітря. Протріть усі поверхні крана, раковини, дзеркала, усі стіни й стільницю. Після цього **ОБОВ'ЯЗКОВО** зніміть ковпачок для чищення. **РЕГУЛЯРНО** очищайте повітряні отвори, розташовані в основі консольного електродвигуна (під раковиною). Переконайтеся, що стічний отвір раковини не закупорено і вода може вільно стікати.

## ВАЖЛИВІ ВІДОМОСТІ

Забороняється мити прилад струменем води під тиском. Усі хімічні миючі засоби слід використовувати відповідно до інструкцій виробника (зокрема щодо правильного розведення засобу). Якщо на тривалий час залишити миючий засіб на приладі, утвориться плівка. Це може знизити ефективність антибактеріальних поверхонь. Усі миючі засоби спочатку слід випробувати в непримітних місцях, щоб переконатися в їх придатності. Окрім миючих засобів, слід також обережати прилад від контакту зі шкідливими рідинами, як-от маслами та засобами на спиртовій основі.

## ПРАВИЛА МИТТЯ ВОДОЮ

Сушарка для рук пройшла сертифікацію IP35. Використання миючих апаратів, які подають струмінь води під тиском, може спричинити потрапляння води всередину корпусу приладу. Пошкодження приладу водою через неправильне очищення призведе до припинення дії гарантії.

## ПРОМИВАННЯ В АВТОМАТИЧНОМУ РЕЖИМІ

Прилад обладнано стаціонарним механізмом автоматичного спускання води, що активується на 60 секунд через 24 години після останнього використання. Це допомагає запобігти застою води та розмноженню бактерій у виробі. Стежте за тим, щоб прилад був постійно встановлений над справною під'єднаною до каналізації раковиною з незасміченим зливом.

## ПРАВИЛА ЗАМІНИ СОЛЕНІДНОГО КЛАПАНА

Може виникнути необхідність замінити соленоїдний клапан у сушарці для рук. Якщо ви припускаєте, що виникла така необхідність, зверніться до Служби підтримки компанії Dyson. Під час заміни соленоїдного клапана сушарку для рук необхідно від'єднати від мереж електро- та водопостачання. Невиконання цієї вимоги може призвести до серйозних ушкоджень і/або матеріальних збитків.

## ДОГЛЯД ЗА ФІЛЬТРОМ

Постійно слідкуйте за тим, щоб повітряний отвір був чистим, без пилу і бруду. Щоб видалити пил і сміття, достатньо просто протерти отвір м'якою тканиною. Якщо повітряний отвір засмічений, необхідно добре прочистити або замінити фільтр. Якщо прилад встановлено в приміщеннях, що інтенсивно експлуатуються, скористайтеся комплектом для заміни фільтра Dyson. Він містить усе необхідне, щоб замінити фільтр класу HEPA безпосередньо на місці. Щоб дізнатися більше, зверніться до Служби підтримки компанії Dyson. Очищення та заміну фільтра в сушарці для рук необхідно виконувати з чітким дотриманням інструкцій, що постачаються з комплектом для заміни фільтра. У разі виникнення будь-яких сумнівів зверніться по консультацію до кваліфікованого електрика або до Служби підтримки компанії Dyson.

## ОБСЛУГОВУВАННЯ

Із запитом на обслуговування звертайтеся в Службу підтримки компанії Dyson.  
Також завітайте на веб-сайт [www.dyson.com](http://www.dyson.com).

## ІНФОРМАЦІЯ ПРО УТИЛІЗАЦІЮ

Продукцію компанії Dyson виготовлено з високоякісних матеріалів, придатних для вторинної переробки. Здавайте її на переробку, якщо є така можливість.

## ВАША ГАРАНТІЯ

**Умови 5-річної гарантії компанії Dyson**

Якщо ви зареєстрували свій прилад через Інтернет, термін дії вашої гарантії розпочинається з дати покупки приладу. Зберігайте доказ придбання приладу. У разі відсутності у вас такого доказу придбання дія вашої гарантії розпочинається через 90 днів після дати виробництва приладу згідно з виробничими записами Dyson. Якщо цей прилад продається в межах Європейського Союзу, ця гарантія вважатиметься чинною лише за таких умов: (i) прилад встановлений і використовується в країні, де його придбано, або (ii) прилад встановлений і використовується в Австрії, Бельгії, Великобританії, Ірландії, Іспанії, Італії, Нідерландах, Німеччині або Франції, а у відповідній країні продається ідентична цьому приладу модель із такою ж номінальною напругою. Якщо прилад продається в країні, що не входить до складу Європейського Союзу, ця гарантія вважатиметься чинною лише за умови, що прилад встановлений і використовується в країні, у якій його продали.

## ГАРАНТІЙНІ ЗОБОВ'ЯЗАННЯ

### 5-РІЧНА ГАРАНТІЯ

Гарантія поширюється на всі фабричні недоліки деталей сушарки для рук, а також на дефекти матеріалів або виробництва за умов дотримання інструкцій з експлуатації та посібника з установавання протягом п'яти років із дати початку дії гарантії.

Щоб дізнатися більше, зателефонуйте в службу підтримки компанії Dyson.

У разі пошкодження електрообладнання компанія Dyson протягом терміну дії гарантії здійснить ремонт без стягнення плати за роботу.

За заміну консольного електродвигуна, фільтра та соленоїдного клапана плата за роботу стягується. У разі виходу з ладу цих компонентів компанія надасть запасні частини, які клієнт має встановити на об'єкті.

Щоб дізнатися більше, зателефонуйте в службу підтримки компанії Dyson.

Якщо необхідно замінити фільтр, компанія Dyson надасть спеціальний набір, який клієнт зможе встановити на місці.

- Усі деталі, що повертаються компанії Dyson чи замінюються нею, переходять у власність компанії Dyson.
- Заміна будь-якої деталі приладу за гарантією не є підставою для подовження гарантійного терміну.
- Гарантія надає вам переваги, що доповнюють ваші законні права споживача, і жодним чином не зачіпає їх.

## ОБМЕЖЕННЯ ГАРАНТІЇ

Компанія Dyson не гарантує ремонт або заміну приладу в таких випадках:

- Випадкові пошкодження, поломки, що сталися через недбале користування або догляд, ненавмисне або навмисне порушення правил експлуатації, недбалість, вандалізм, необачне використання та поведіння з кріпленням із порушенням правил посібника з експлуатації Dyson.
- Використання деталей, що зібрані або встановлені з порушенням інструкцій Dyson.
- Використання деталей і приладдя, відмінних від ориганіальних деталей і приладдя Dyson.
- Неправильне встановлення або встановлення з порушенням інструкцій із монтажу, наданих компанією Dyson (окрім випадків встановлення співробітниками компанії Dyson).
- Ремонтні роботи або модифікації конструкції з порушенням інструкцій компанії Dyson.
- Пошкодження внаслідок зовнішніх чинників, як-от транспортування, погодних умов, відключення постачання електроенергії або стрибків напруги.
- Звичайний фізичний знос (наприклад, запобіжника тощо).
- Пошкодження внаслідок чищення з порушенням інструкції цього посібника, зокрема чищення хімічними речовинами або засобами, зазначеними як шкідливі для приладу.
- Пошкодження від потрапляння води всередину корпусу приладу під час його очищення або обслуговування, забороненого згідно з цим посібником.
- Будь-яке пошкодження через електричний струм і затоплення, псування конструкції, збитки від втрати в бізнесі чи доходів через поломку приладу. Якщо виникли сумніви щодо випадків, на які поширюється гарантія, зверніться до компанії Dyson (докладні відомості див. на звороті обкладинки).

## СУМАРНИЙ ОГЛЯД ГАРАНТІЙНОГО ПОКРИТТЯ

- Перед виконанням будь-яких робіт, пов'язаних із вашим приладом Dyson, або до поставки будь-яких деталей на заміну ви маєте надати доказ доставки/придбання (первинного придбання і/або перепродажу). У разі відсутності такого доказу ви будете зобов'язані оплатити послуги чи надані деталі. Зберігайте квитанцію або накладну.
- З урахуванням наведених вище винятків усі передбачені цією гарантією роботи виконуються співробітниками компанії Dyson або її уповноваженими агентами.

## КОНФІДЕНЦІЙНІСТЬ ІНФОРМАЦІЇ

Під час реєстрації виробу Dyson потрібно виконати описані нижче дії.

- Для реєстрації виробу та отримання гарантійної підтримки вам слід надати свої основні контактні дані.
- В процесі реєстрації ви зможете обрати, чи бажаєте отримувати інформацію від нас. Якщо ви обрали отримання інформації від компанії Dyson, ми надсилатимемо докладні відомості про спеціальні пропозиції та новини про наші останні винаходи. Ми ніколи не продаємо інформацію третім сторонам і використовуємо надані вами відомості лише відповідно до положень політики конфіденційності, які розміщено на нашому сайті [privacy.dyson.com](http://privacy.dyson.com).



# USEN

## IMPORTANT SAFETY INSTRUCTIONS

### READ AND SAVE THESE INSTRUCTIONS

**BEFORE INSTALLING OR USING THIS UNIT READ ALL INSTRUCTIONS AND CAUTIONARY MARKINGS IN THIS MANUAL AND THE INSTALLATION NOTES.**

**TO REDUCE THE RISK OF FIRE, ELECTRIC SHOCK OR INJURY TO PERSONS, OBSERVE THE FOLLOWING:**

1. This unit is not intended for use by persons (including children) with reduced physical, sensory or reasoning capabilities, or lack of experience and knowledge, unless they have been given supervision or instruction concerning use of the unit by a person responsible for their safety.
2. Do not allow the unit to be used for any purpose other than washing and drying hands. Use this unit only in the manner intended by the manufacturer. If you have questions, contact the manufacturer.
3. Before servicing, switch the power off at the service panel. Ensure the switch is locked to prevent the power from being switched on accidentally. If the means of switching off the power cannot be locked, securely fasten a prominent warning device, such as a tag, to the service panel.

Children should be supervised to ensure that they do not play with the unit.

**DO NOT USE ANY PRESSURE WASHING EQUIPMENT FOR CLEANING ON OR NEAR THIS UNIT.**

### **⚠ WARNING**

**TO REDUCE THE RISK OF FIRE OR ELECTRIC SHOCK, DO NOT USE THIS APPLIANCE WITH ANY SOLID-STATE SPEED CONTROL DEVICE**

**WARNING: RISK OF ELECTRIC SHOCK!**

**ALL ELECTRICAL REPAIR WORK MUST BE DONE BY QUALIFIED ELECTRICIAN(S) OR DYSON SERVICE TECHNICIAN IN ACCORDANCE WITH ALL FEDERAL, STATE AND LOCAL LAWS AND APPLICABLE CODES AND STANDARDS, INCLUDING FIRE-RATED CONSTRUCTION. IF CASING IS REMOVED OR HANDLED IMPROPERLY THE INTERNAL COMPONENTS OF THE UNIT MAY CAUSE HARM OR BECOME PERMANENTLY DAMAGED.**

### **⚠ CAUTION**

Your hand dryer should be located indoors. Operating temperature range 32°F (0°C) to 104°F (40°C). To reduce the risk of fire or electric shock, do not expose the internal mechanisms/components of this unit to moisture.

## THANK YOU FOR CHOOSING TO BUY A DYSON AIRBLADE WASH+DRY HAND DRYER

### DYSON CUSTOMER CARE

Your hand dryer is warranted for 5 years from the date of purchase, subject to the terms of the limited warranty.

Register your warranty now at [www.dyson.com](http://www.dyson.com).

If you have any questions about your hand dryer, call the Dyson Helpline with your serial number and details of where and when you bought the unit.

Note your serial number here for future reference.

Your serial number can be found on the bottom right hand corner of the backplate, on a registration sheet in the box, and also on the large information sticker which can be found around the tap when the unit is unpacked.



This illustration is for example purposes only.

A comprehensive installation guide is enclosed with the hand dryer packaging. This contains detailed information on the correct installation of the unit, which **MUST** be adhered to completely, including routing of electrical cables. Damage caused by incorrect installation is not covered by your warranty. The fitting of an in-line filter is advised to prevent any damage that may affect your guarantee.

US
USES
AR
CL
GT
MX
PA

NOTE: Ensure that the water feed is completely flushed of debris, copper filings etc. prior to connecting to the product. Failure to do so will damage the solenoid valve. The instructions in this manual and the installation guide must be followed completely, as failure to do so may result in incorrect operation, damage to property and/or personal injury. It is recommended that an isolation valve is fitted with this product during installation. Dyson will not be held liable for any damage to property or personal injury, or any loss of business or revenue, if you, your staff, your installer or service technician have not followed the instructions given in this manual and the installation guide.

## LOOKING AFTER YOUR HAND DRYER

### WARNING

This product is not to be used in sinks where a plug is fitted. Before engaging the water flow ensure that the plughole is clear of any obstructions and that water can drain freely.

### HOW TO USE

Place your hands beneath the center of the tap and water will flow automatically for as long as the hands remain in place.

For best dry time results:

- Place your hands to either side of the center tap to activate the hand dryer, creating sheets of air to scrape water from your hands.
- Move your hands backwards and forwards slowly through the air, turning them over so both back and front are exposed to the airflow.
- Keep your hands flat, close the gaps between your fingers and keep your thumbs in to ensure that the whole of your hand is drawn through the airflow.

## TROUBLESHOOTING GUIDE

### WARNING: RISK OF ELECTRIC SHOCK!

Problem	Action
The hand dryer fails to start.	Check fuse/circuit breaker is working and that the power is connected. Must be performed by a qualified electrician. Ensure the cleaning cap is removed and that the sensors are clean and unobstructed. If a safe method of switching is available, turn the unit on and off. If a safe method is not available, a qualified electrician must perform this task.
The hand dryer is turning on and off erratically.	Ensure sensors are clean and free from obstructions. Check that the sensor cable from the tap is securely connected. Must be performed by a qualified electrician.
The hand dryer sometimes cuts out when in use but resumes operation after a period of time.	Check the air inlet is clean and free of dust. Remove any dust from the air inlet. Ensure that the air inlet is free from obstructions and has sufficient clearance (see installation instructions).
The dry time of the hand dryer has increased.	Inspect the inlet grille for dust and remove. Inspect filter and change if required. Ensure that the hose is securely attached to the base of the tap and no leaks are present. Must be performed by a qualified electrician.

- US
- USES
- AR
- CL
- GT
- MX
- PA

Air is continuously running from the hand dryer.	Ensure sensors are clean and free from obstructions.
There is no air coming from the hand dryer.	Check fuse/circuit breaker is working and that the power is connected. Must be performed by a qualified electrician. Ensure that the air hose is securely attached to the base of the tap and no leaks are present. Must be performed by a qualified electrician. Check that the sensor cable from the tap is securely connected. Must be performed by a qualified electrician.

## TAP

Problem	Action
Water is continuously coming from the tap.	Ensure sensors are clean and free from obstructions.
There is no water coming from the tap.	Ensure that the power and water supplies are turned on and that the isolation valve is open. Must be performed by a qualified electrician. Ensure that the aerator is free from debris, remove and clean/replace if necessary.
The water coming from the tap is overly hot or cold.	Contact the Dyson Helpline.

If you have any further questions please contact the Dyson Helpline.

## USE IN FOOD PREPARATION AREAS

For food preparation environments special installation is required, which must fully enclose the motor bucket and hose in a cleanable housing or have the motor bucket on the reverse side of a wall, provide adequate clearance for cleaning underneath (if applicable) and be such that the unit is at least 8 feet from uncovered food or uncovered food-contact surfaces.

## CLEANING

The hand dryer should be cleaned daily.  
Wipe sensors using a soft cloth and non-abrasive cleaner then place cleaning cap over sensors to prevent air and water from being activated.  
Clean all tap surfaces, sink, mirror and any walls or counter tops. When complete REMEMBER to remove cleaning cap.  
REGULARLY clean air inlets on base of motor bucket (under sink). Ensure plughole in sink is free from blockages so water can drain freely.

## IMPORTANT INFORMATION

Do not pressure wash the machine.  
All cleaning chemicals should be used exactly as indicated by the manufacturer's instructions (including appropriate dilution).  
If a cleaning product is left on the machine for too long, a film will form. This may reduce the effectiveness of the antimicrobial surfaces.  
Any chemicals intended for use should first be tested on an inconspicuous area to confirm suitability. Aside from cleaning chemicals, care should be taken to avoid any harmful fluids from coming into contact with the product, in particular oils and alcohol-based products.

## WATER GUIDELINES

This hand dryer has an IP35 certification.  
Use of pressure washers can force water inside the casing.  
Water damage caused by incorrect cleaning will invalidate your warranty.

## AUTOMATIC DUTY FLUSH

The unit is equipped with a fixed automatic water flush, which activates for 60 seconds 24 hours after last use. This helps reduce water stagnation and bacteria proliferation within the product.  
Please ensure that the unit is always installed over a functional basin with free and connected drainage.

## SOLENOID REPLACEMENT GUIDELINES

It may be necessary to replace the solenoid on your hand dryer. If you suspect this is the case, please contact the Dyson Helpline.  
When replacing the solenoid, the hand dryer must be disconnected from the mains electricity and water supply. Failure to do so could lead to serious injury and/or damage to property.

## FILTER MAINTENANCE

Regularly check the air inlet to ensure that it is free from dust and debris. Simply wiping the inlet with a soft cloth should be sufficient to remove dust and debris.  
If the air inlet gets clogged, further cleaning or a filter change might be required.  
If required for high usage environments, a Dyson filter change kit provides everything needed to change your unit's HEPA filter on site. Contact the Dyson Helpline for more information.  
Filter cleaning or replacement for your hand dryer can be carried out by carefully following the instructions given in the filter change kit. If in any doubt, consult a qualified electrician or contact the Dyson Helpline for support.

## SERVICING

If your hand dryer needs servicing, please call the Dyson Helpline. Also visit the website at [www.dyson.com](http://www.dyson.com).

## DISPOSAL INFORMATION

Dyson products are made from high grade recyclable materials. Recycle where possible.

## CONFORMITY INFORMATION

This equipment has been tested and found to comply with the limits for a Class B digital device, pursuant to part 15 of the FCC Rules. These limits are designed to provide reasonable protection against harmful interference in a residential installation. This equipment generates,

US
USES
AR
CL
GT
MX
PA

uses and can radiate radio frequency energy and, if not installed and used in accordance with the instructions, may cause harmful interference to radio communications. However, there is no guarantee that interference will not occur in a particular installation. If this equipment does cause harmful interference to radio or television reception, which can be determined by turning the equipment off and on, the user is encouraged to try to correct the interference by one or more of the following measures:

- Reorient or relocate the receiving antenna.
- Increase the separation between the equipment and receiver.
- Connect the equipment into an outlet on a circuit different from that to which the receiver is connected.
- Consult the dealer or an experienced radio/TV technician for help.

Changes or modifications not expressly approved by the party responsible for compliance could void the user's authority to operate the equipment.

## YOUR WARRANTY

### TERMS AND CONDITIONS OF THE DYSON 5 YEAR LIMITED WARRANTY.

If you have registered your unit online, your warranty will start from the date of purchase. Please retain your proof of purchase. If you do not have your proof of purchase, your warranty will start 90 days after the date of manufacture, according to Dyson's records. This warranty will be void if the unit is installed and used in a country outside the one in which it was sold.

## WHAT IS COVERED

### 5 YEAR LIMITED WARRANTY

All factory parts of your hand dryer are warranted against original defects, material and workmanship when used in accordance with the owner's manual and installation guide for a period of 5 years from the start of your warranty. Please call the Dyson Helpline for more information.

In instances where electrical failures occur, Dyson will, during the warranty period carry out the repair with no labour charge.

The replacement of the motor bucket assembly, filter and solenoid are not covered for labour. If these parts fail, replacement parts will be provided to be fitted on site by the customer.

Please call the Dyson Helpline for more information.

In the event of electrical failure, for five years from the start of the limited warranty, Dyson will perform the repairs without labor cost. After this period, the usual charges will apply. "Electrical failures" specifically exclude any plumbing-related failures. In cases where replacement of the faucet, motor hub assembly or solenoid is required, Dyson will provide replacement parts for you to make arrangements at your facility; This limited warranty does not cover any cost or labor charge related to faucet replacement, engine hub assembly, or solenoid.

- Any parts that are returned and replaced by Dyson will become the property of Dyson.
- The replacement of any part of your unit under warranty will not extend the period of warranty.
- This limited warranty provides benefits, which are additional to and do not affect any statutory rights you may have as a consumer. This limited warranty gives you legal rights, and you may have other rights which vary from state to state.

## WHAT IS NOT COVERED

Dyson shall not be liable for costs, damages or repairs incurred as a result of, due to, or from:

- Purchases of machines from unauthorized dealers.
- Careless operation or handling, misuse, abuse and/or lack of maintenance or use not in accordance with the Dyson Operating Manual.
- Use of parts not in accordance with the Dyson Operating Manual.
- Use of parts and accessories other than those produced or recommended by Dyson.
- External sources such as weather, electrical outages or power surges.
- Faulty installation or installation that does not precisely follow the installation instructions supplied by Dyson (except where installed by Dyson).
- Repairs or alterations carried out by unauthorized parties or agents.
- Normal wear and tear (e.g. fuse, etc.).
- Damage caused by cleaning which is not in line with the instructions in this manual. Do not use chemicals to clean the unit.
- Damage caused by water ingress due to cleaning or treatment prohibited in this manual.
- Any electrical, flooding or structural damage, or any loss of business or revenue as a result of product failure. If you are in any doubt as to what is covered by your warranty, please contact Dyson (details on the back cover).

## WARRANTY LIMITATIONS AND EXCLUSIONS

- Any implied warranties relating to your machine including but not limited to warranty of merchantability or warranty of fitness for a particular purpose, are limited to the duration of this warranty. This limitation is not allowed by some States, and so this limitation may not apply to you.
- Your remedy for breach of this warranty is limited to the warranty service described below. Dyson will not be liable for any consequential damages or incidental damages you may incur in connection with your purchase and use of your machine. This limitation is not allowed by some States and so this limitation may not apply to you.
- This limited warranty gives you specific legal rights. You may also have other rights which vary by State.
- This limited warranty is not transferable.

## WHEN REGISTERING YOUR DYSON MACHINE

- You will need to provide us with basic contact information to register your machine and enable us to support your warranty.
- When you register, you will have the opportunity to choose whether you would like to receive communications from us. If you opt-in to communications from Dyson, we will send you details of special offers and news of our latest innovations. We never sell your information to third parties and only use information that you share with us as defined by our privacy policies which are available on our website at [privacy.dyson.com](http://privacy.dyson.com).

US  
USES  
AR  
CL  
GT  
MX  
PA

# USES/AR/CL/GT/MX/PA

## INSTRUCCIONES IMPORTANTES DE SEGURIDAD

### LEA Y GUARDE ESTAS INSTRUCCIONES

ANTES DE INSTALAR O USAR ESTA UNIDAD, LEA TODAS LAS INSTRUCCIONES Y SEÑALES DE ADVERTENCIA EN ESTE MANUAL Y LAS NOTAS DE INSTALACIÓN.

CON OBJETO DE REDUCIR EL RIESGO DE INCENDIO, CHOQUE ELÉCTRICO, O DAÑOS PERSONALES, TENGA EN CUENTA LO SIGUIENTE:

1. Esta unidad no está diseñada para ser utilizada por personas (incluyendo niños) con una discapacidad física, sensorial o de razonamiento, o la falta de experiencia y conocimiento, a menos que se les haya dado supervisión o instrucción sobre el uso de la unidad por una persona responsable de su seguridad.
2. No permita que la unidad se use con otro fin que no sea lavar y secar las manos. Use esta unidad solo en la forma indicada por el fabricante. Si tiene preguntas, comuníquese con el fabricante.
3. Antes de realizar el mantenimiento, apague la unidad en el panel de servicio. Asegúrese de que el interruptor esté bloqueado para evitar que se encienda la unidad accidentalmente. Si no se puede bloquear el interruptor de desconexión, coloque de forma segura un dispositivo de advertencia, como una etiqueta, al panel de servicio.

Los niños deben ser supervisados para asegurarse de que no juegan con la unidad.

**NO UTILICE NINGÚN EQUIPO DE LAVADO A PRESIÓN PARA LA LIMPIEZA EN O CERCA DE ESTA UNIDAD.**

## ⚠️ ADVERTENCIA

PARA REDUCIR EL RIESGO DE INCENDIO O CHOQUE ELÉCTRICO, NO UTILICE ESTA UNIDAD CON NINGÚN DISPOSITIVO DE CONTROL DE VELOCIDAD DE ESTADO SÓLIDO.

**ADVERTENCIA: ¡RIESGO DE CHOQUE ELÉCTRICO!**

TODO EL TRABAJO DE REPARACIÓN ELÉCTRICA DEBE REALIZARLO UN ELECTRICISTA CALIFICADO O LOS INGENIEROS DE SERVICIO DE DYSON DE ACUERDO A LAS LEYES LOCALES, ESTATALES Y FEDERALES Y LAS NORMAS Y CÓDIGOS APLICABLES, INCLUSO LAS REGULACIONES RELACIONADAS CON LA CONSTRUCCIÓN PRUEBA DE FUEGO. SI LA CARCASA SE QUITA O SE MANEJA INCORRECTAMENTE, LAS PIEZAS INTERNAS DE LA UNIDAD PUEDEN CAUSAR DAÑOS O DETERIORARSE DE MANERA PERMANENTE.

## ⚠️ ADVERTENCIA

Su secador de manos debe estar ubicado en el interior. Rango de temperatura de funcionamiento 32 ° F (0 ° C) a 104 ° F (40 ° C). Para reducir el riesgo de incendio o choque eléctrico, no exponga los componentes internos y mecanismos de esta unidad a la humedad.

## GRACIAS POR ELEGIR COMPRAR UN SECADOR DE MANOS DYSON AIRBLADE WASH+DRY

### SERVICIO DE ATENCIÓN AL CLIENTE DYSON

El secador de manos está cubierto durante 5 años a partir de la fecha de compra, según los términos de la garantía limitada.

Registre su garantía ahora en [www.dyson.com](http://www.dyson.com).

Si tiene alguna duda acerca de su secador de manos, llame a la línea directa de Asistencia al Cliente de Dyson con el número de serie e información de cuándo y dónde compró la unidad.

Anote aquí su número de serie para futuras consultas.

Su número de serie se encuentra en el extremo inferior derecho de la placa posterior, en la hoja de registro de la caja y también en la etiqueta grande de información que se ubica alrededor de la grifería cuando se desembala la unidad.



Esta ilustración es sólo un ejemplo.

Encontrará una guía de instalación completa en el embalaje del secador de manos. Este manual contiene información detallada sobre la instalación correcta de la unidad, que DEBE ser adherido completamente, incluyendo el enrutamiento de cables eléctricos. Los daños causados por una instalación incorrecta no están cubiertos por su garantía.

US  
USES  
AR  
CL  
GT  
MX  
PA

Se aconseja la colocación de un filtro en línea para prevenir cualquier daño que pueda afectar la garantía.

NOTA: Asegúrese que la alimentación de agua está completamente libre de residuos, limaduras de cobre, etc., antes de conectarlo al producto. No hacerlo dañará la válvula solenode.

Las instrucciones de este manual y de la guía de instalación deben seguirse completamente, ya que de lo contrario puede resultar en un funcionamiento incorrecto, daños a la propiedad o lesiones personales. Se recomienda instalar una válvula de aislamiento con el producto durante la instalación. Dyson no se hace responsable de ningún daño a la propiedad o lesión personal, o cualquier pérdida de negocios o de ganancias, si usted, su personal, su instalador o los técnicos de servicio no han seguido las instrucciones en este manual y la guía de instalación.

## CUIDADO DE SU SECADOR DE MANOS

### ADVERTENCIA

Este producto no debe utilizarse en lavamanos donde esté instalado un tapón fijo. Antes de conectar el flujo de agua asegúrese de que el desagüe esté libre de obstrucciones y que el agua pueda escurrir libremente.

## CÓMO USAR EL APARATO

Coloque las manos debajo del centro de la grifería y el agua correrá automáticamente mientras las manos permanezcan en ese lugar.

Para obtener los mejores resultados de tiempo de secado:

- Coloque las manos a ambos lados del grifo para activar el secador de manos, creando hojas de aire para raspar el agua de sus manos.
- Mueva las manos hacia atrás y adelante lentamente por el aire, volteándolas para que tanto el respaldo como el frente estén expuestos al flujo de aire.
- Mantenga las manos planas, cierre los espacios entre los dedos y mantenga los pulgares dentro para asegurarse de que toda su mano pase a través del flujo de aire.

## GUÍA DE RESOLUCIÓN DE PROBLEMAS

### ADVERTENCIA: ¡RIESGO DE CHOQUE ELÉCTRICO!

Problema	Acción
El secador de manos no se enciende.	Comprobar que el fusible / interruptor esté funcionando y la electricidad esté conectada. Debe ser realizado por un electricista calificado. Asegúrese de quitar la tapa de limpieza y de que los sensores estén limpios y sin obstrucciones. Si está disponible un método seguro de encender y apagar la unidad, encienda y apague la unidad. Si no hay un método seguro, un electricista calificado debe realizar esta tarea.

El secador de manos se enciende y apaga de manera irregular.	Asegúrese que los sensores estén limpios y libres de obstrucciones. Compruebe que el cable del sensor de la grifería esté conectado de forma segura. Debe ser realizado por un electricista calificado.
El secador de manos a veces se corta cuando está en uso pero regresa a la operación después de un período de tiempo.	Compruebe que la entrada de aire esté limpia y libre de polvo. Retire el polvo de la entrada de aire. Asegúrese de que la entrada de aire esté libre de obstrucciones y tenga espacio suficiente (ver instrucciones de instalación).
El tiempo de secado del secador de manos ha aumentado.	Inspeccione la rejilla de entrada para ver si hay polvo y retírelo. Inspeccione el filtro y cámbielo si es necesario. Asegúrese de que la manguera esté firmemente conectada a la base de la grifería y no hay fugas. Debe ser realizado por un electricista calificado.
El aire está funcionando continuamente del secador de manos.	Asegúrese que los sensores estén limpios y libres de obstrucciones.
No hay aire saliendo del secador de manos.	Comprobar que el fusible / interruptor esté funcionando y la electricidad esté conectada. Debe ser realizado por un electricista calificado. Asegúrese de que la manguera de aire esté firmemente conectada a la base de la grifería y no hay fugas. Debe ser realizado por un electricista calificado. Compruebe que el cable del sensor de la grifería esté conectado de forma segura. Debe ser realizado por un electricista calificado.

## GRIFERÍA

Problema	Acción
El agua sale continuamente de la grifería.	Asegúrese que los sensores estén limpios y libres de obstrucciones.
No hay agua saliendo de la grifería.	Asegúrese que las conexiones eléctricas y del agua estén abiertas y que la válvula de aislamiento esté abierta. Debe ser realizado por un electricista calificado. Asegúrese de que el aireador esté libre de residuos, retire y limpie / reemplace si es necesario.

US  
USES  
AR  
CL  
GT  
MX  
PA

El agua que sale de la grifería es demasiado caliente o fría.

Comuníquese con la Línea directa de asistencia al cliente de Dyson.

Si tiene más preguntas, comuníquese con la línea directa de Asistencia al Cliente de Dyson.

## USO EN ÁREAS DE PREPARACIÓN DE ALIMENTOS

Para los ambientes de preparación de comidas se requiere una instalación especial, que debe encerrar por completo el cubo del motor y la manguera en un bastidor limpiable o colocar el cubo del motor en el lado reverso de la pared, permitir un espacio adecuado para la limpieza por debajo (si corresponde) y ubicar la unidad al menos a 2.5 metros de alimentos no cubiertos o de las superficies de contacto con alimentos no cubiertos.

## LIMPIEZA

El secador de manos debe limpiarse diariamente.

Limpie los sensores con un paño suave y un limpiador no abrasivo y luego coloque la tapa de limpieza sobre los sensores para evitar que se activen el aire y el agua.

Limpie todas las superficies: de la grifería, la cubierta del lavamanos, espejo y las paredes. Cuando haya terminado, RECUERDE quitar la tapa de limpieza.

Limpie **REGULARMENTE** las entradas de aire en la base del cubo del motor (debajo del lavamanos). Asegúrese de que el desagüe del lavabo no tenga obstrucciones de manera tal que el agua pueda salir libremente.

## INFORMACIÓN IMPORTANTE

No lave la máquina a presión.

Todos los químicos de limpieza deben usarse exactamente como se indica en las instrucciones del fabricante (incluida la disolución correcta).

Si se deja una sustancia química de limpieza en la máquina por mucho tiempo, se formará una capa. Esto puede reducir la efectividad y dañar las superficies antimicrobianas.

Cualquier químico que se considere utilizar debe probarse primero en un área oculta para comprobar que sea apto. Se debe tener cuidado para evitar que líquidos dañinos (que no sean productos químicos de limpieza) entren en contacto con el producto, en particular aceites y productos a base de alcohol.

## TRATAMIENTO DEL AGUA

Este secador de manos tiene certificación IP35.

El uso de lavadoras de presión puede forzar la entrada de agua a la carcasa.

El daño causado por el agua debido a una limpieza incorrecta anulará su garantía.

## DESCARGA DE FUNCIONAMIENTO AUTOMÁTICO

El secador de manos de la unidad está equipado con descarga automática de agua, que se activa durante 60 segundos cada 24 horas después del último uso. Esta ayuda a reducir el estancamiento del agua y la proliferación de bacterias dentro del producto.

Asegúrese de que la unidad esté siempre instalada sobre un lavabo funcional con conexión a un drenaje libre.

## INSTRUCCIONES DE REEMPLAZO DE SOLENOIDES

Es posible que sea necesario reemplazar el solenoide de su secador de manos. Si cree que debe hacerlo, comuníquese con la línea directa de Asistencia al Cliente de Dyson.

Al reemplazar el solenoide, el secador de manos debe tener la conexión eléctrica y el suministro del agua desconectados. De lo contrario, puede generar lesiones graves y/o daños a la propiedad.

## MANTENIMIENTO DEL FILTRO

Revise con regularidad la entrada de aire para asegurarse de que no tenga polvo ni residuos. Simplemente limpiar la entrada de aire con un paño suave es suficiente para quitar el polvo y los residuos.

Si la entrada de aire sigue obstruida, es posible que deba limpiar más o cambiar el filtro.

Si se necesita en lugares de mucho uso, el kit de cambio de filtro Dyson proporciona todo lo necesario para cambiar los filtros HEPA de la unidad en el lugar. Comuníquese con la línea directa de Asistencia al Cliente de Dyson para obtener más información.

Para limpiar o reemplazar el filtro del secador de manos, se deben seguir cuidadosamente las instrucciones provistas con el kit de cambio de filtro. Si tiene dudas, consulte a un electricista calificado o comuníquese con la línea directa de Asistencia al Cliente de Dyson para solicitar ayuda.

## SERVICIO

Si su secador de manos necesita servicio, comuníquese con la Línea Directa de Asistencia al Cliente de Dyson. También puede visitar el sitio web: [www.dyson.com](http://www.dyson.com).

## INFORMACIÓN PARA DESECHAR EL PRODUCTO

Los productos Dyson están fabricados con materiales reciclables de alta calidad. Siempre que sea posible, recicle.

## INFORMACIÓN DE CONFORMIDAD

Se han realizado pruebas en este equipo que han permitido determinar que cumple con los límites establecidos para los dispositivos de Clase B, en base al artículo 15 de las Normas FCC. Estos límites están diseñados para brindar una protección razonable contra interferencias dañinas en instalaciones residenciales. Este equipo genera, utiliza y puede irradiar energía de radiofrecuencia y, si no se instala y utiliza según las instrucciones, puede causar interferencia dañina en las comunicaciones radiales. Sin embargo, no existe garantía alguna de que no se produzca interferencia en una instalación en particular. Si este equipo causa interferencias dañinas en la recepción de una radio o un televisor (que se puede determinar mediante el encendido y el apagado del equipo), se recomienda que el usuario trate de corregir la interferencia mediante la aplicación de una o más de las siguientes medidas:

- Cambie la orientación o la ubicación de la antena receptora.
- Aumente la distancia entre el equipo y el receptor.
- Conecte el equipo a una toma de corriente que se encuentre en un circuito distinto al que está conectado el receptor.
- Solicite ayuda al proveedor o a un técnico de radio o TV con experiencia.

Los cambios o modificaciones no aprobados por el grupo responsable de las reglas de conformidad pueden invalidar la autoridad del usuario en la operación del máquina.

## SU GARANTÍA

### TÉRMINOS Y CONDICIONES DE LA GARANTÍA DE 5 AÑOS DE DYSON

Si ha registrado su unidad en línea, la garantía empezará a tener vigencia desde el día de la compra. Conserve su factura de compra. Si no tiene la factura de compra, la validez de la garantía empezará a contar desde los 90 días posteriores a la fecha de fabricación, según los registros de Dyson.

US  
USES  
AR  
CL  
GT  
MX  
PA

Esta garantía no tendrá validez si la unidad se instala y se usa en otro país que no sea el país donde se vendió el producto.

## QUÉ ESTÁ CUBIERTO

### GARANTÍA LIMITADA DE 5 AÑOS

Todas las piezas de fábrica de su secador de manos tienen garantía por defectos de fábrica, de material y de mano de obra si se usa conforme el manual de usuario y la guía de instalación por un período de 5 años desde el inicio de la garantía.

Para obtener más información, llame a la línea directa de Asistencia al Cliente de Dyson. En el caso de fallas eléctricas, durante el período de garantía, Dyson realizará las reparaciones sin costos de mano de obra.

No se incluye en la cobertura de mano de obra el reemplazo del conjunto del cubo del motor, del filtro y del solenoide. Si estas piezas fallan, se enviarán piezas de repuesto para que el cliente las instale por su cuenta en el lugar.

Para obtener más información, llame a la línea directa de Asistencia al Cliente de Dyson. En el caso de fallas eléctricas, durante cinco años a partir del comienzo de la garantía limitada, Dyson realizará las reparaciones sin costo de mano de obra. Una vez terminado este período, se aplicarán los cargos habituales. La "fallas eléctricas" excluyen específicamente cualquier falla relacionada con plomería. En los casos en que se requiera el reemplazo de la grifería, el conjunto del cubo del motor o el solenoide, Dyson proporcionará las piezas de repuesto para que usted haga los arreglos en su establecimiento; esta garantía limitada no cubre ningún costo o cargo de mano de obra relacionado con el reemplazo de la grifería, el conjunto del cubo del motor o el solenoide. Cuando sea necesario el cambio de filtro, Dyson proporcionará un kit de cambio de filtro para que el cliente lo instale en el lugar.

- Todas las piezas que se devuelvan a Dyson o que Dyson reemplace serán propiedad de Dyson.
- El reemplazo de cualquier pieza de la unidad con garantía no extiende el período de la garantía.
- Esta garantía limitada proporciona beneficios adicionales que no afectan los derechos legítimos que puede tener como cliente. Esta garantía limitada le otorga derechos legales; además, usted puede tener otros derechos que varían de estado a estado.

### QUÉ NO ESTÁ CUBIERTO

Dyson no será responsable de los costos, los daños o las reparaciones originados como resultado de/debido a lo siguiente:

- Compras de máquinas de un proveedor no autorizado.
- Daño accidental, fallas ocasionadas por mal uso o desatención, mal uso no intencional o deliberado, negligencia, vandalismo, descuido en la operación o el manejo del artefacto sin respetar las recomendaciones del manual de funcionamiento de Dyson.
- Uso de piezas que no concuerden con lo establecido en el Manual de Operación de Dyson.
- El uso de partes y accesorios que no sean producidos o recomendados por Dyson.
- Motivos externos como el clima, las interrupciones eléctricas o las sobrecargas de energía.
- Instalación defectuosa o que no sigue con precisión las instrucciones de instalación de Dyson (excepto en los casos en que la instalación haya estado a cargo de Dyson).
- Reparaciones o alteraciones realizadas por terceros o agentes no autorizados.
- Desgaste normal (por ejemplo, fusibles, etc.).
- Daños causados por una limpieza que no está de acuerdo con las instrucciones de este manual. No use productos químicos para limpiar la unidad.
- Daño causado por ingreso de agua debido a tareas de limpieza o tratamientos prohibidos en este manual.

- Daños eléctricos, estructurales o por inundación, pérdida de la actividad comercial o de ganancias como resultado de una falla del producto. Si tiene alguna duda sobre la cobertura de la garantía, comuníquese con Dyson (consulte los detalles en la contratapa).

## LIMITACIONES Y EXCLUSIONES DE LA GARANTÍA

- Cualquier garantía implícita relacionada con su máquina, incluyendo pero sin limitarse a una garantía de comerciabilidad o garantía de idoneidad para un propósito en particular, se limita a la duración de esta garantía. Esta limitación no está permitida por algunos estados, por lo que esta limitación puede no aplicarse a usted.
- El recurso por el incumplimiento de esta garantía se limita al servicio de garantía que se describe a continuación. Dyson no es responsable por ningún daño indirecto o daño inherente en el que pueda incurrir en conexión con la adquisición y uso de su máquina. Esta limitación no está permitida por algunos estados y, por lo tanto, podría no aplicarse en su caso.
- Esta garantía le otorga derechos legales específicos. Usted podría también tener otros derechos los cuales varían de acuerdo al estado.
- Esta garantía limitada no es transferible.

## CUANDO REGISTRE SU APARATO DYSON

- Deberá suministrarnos información básica de contacto para registrar su producto y para que podamos respaldar su garantía.
- Cuando se registre, tendrá la posibilidad de elegir si quiere recibir comunicaciones de nosotros. Si acepta recibir comunicaciones de Dyson, le enviaremos detalles de ofertas especiales y noticias sobre nuestras más recientes innovaciones. Nunca venderemos su información a terceros. Usaremos la información que comparta con nosotros únicamente de la manera que se define en nuestras políticas de privacidad, que están disponibles en nuestro sitio web [privacy.dyson.com](http://privacy.dyson.com).

US

USES

AR

CL

GT

MX

PA