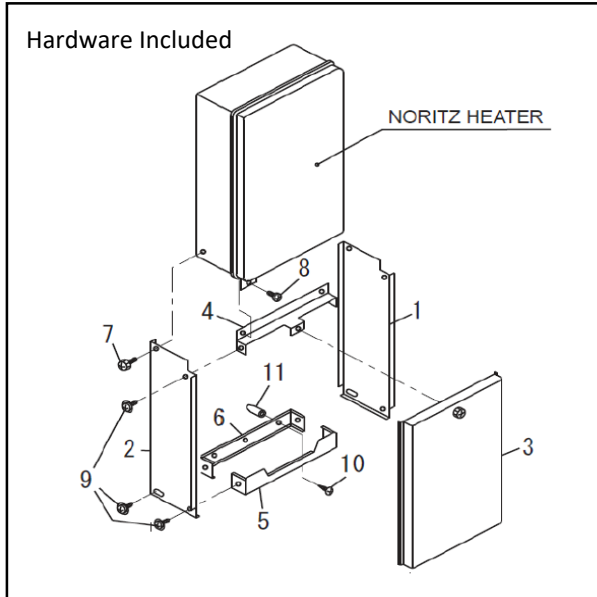


Tankless Water Heater Accessories

Specification Sheet

Pipe Cover

- Made of durable powder coated steel (or stainless steel for selected models)
- Conceals the piping underneath the water heater to provide a cleaner installation
- Compatible with all Noritz water heater models and requires light assembly



NORITZ PIPE COVER MODEL (PC-)													
	1S	2S	2S-GRY	3S	3S-SUS	4S-SUS	5S	5S-GRY	6S	7S	8S	9S	10S
Color	White	White	Gray	White	Stainless Steel	Stainless Steel	White	Grey	Grey	White	Grey	White	Grey
Compatible Model	NR500D	NR83DVC/OD	NC1990D	NRC98	NCC199DV	NC380SV	NR98DVC	NC199DVC	NCC199CDV	NCC300	NRCP1112	NRCP111	NRCR92
	NR660D	NR98SV/OD		NRC111	NCC199OD				EZ111DV		NRCP982	NRCP98	NRCR111
	NRC66								EZ98DV				
	NRC71												
Width	13.3"	13.3"	13.3"	17.8"	17.8"	18.3"	13.3"	13.3"	18.5"	19.1"	17.3"	17.3"	18.5"
Height	17.5"	17.5"	17.5"	17.5"	17.5"	17.5"	17.5"	17.5"	17.1"	22.4"	16.5"	16.5"	17.1"
Depth	6"	8.7"	8.7"	8.7"	8.7"	11.8"	9.6"	9.6"	13"	14.4"	14.9"	14.9"	14.3"

Hardware	Quantity included												
1 Left Side	1	1	1	1	1	1	1	1	1	1	1	1	1
2 Right Side	1	1	1	1	1	1	1	1	1	1	1	1	1
3 Front	1	1	1	1	1	1	1	1	1	1	1	1	1
4 Top Bracket	1	1	1	1	1	1	1	1	1	1	1	1	1
5 Bottom Front Bracket	1	1	1	1	1	1	1	1	1	1	1	1	1
6 Bottom Back Bracket	1	1	1	1	1	1	1	1	1	1	1	1	1
7 Panel Screw	2	2	2	2	2	2	2	2	2	2	0	0	2
8 Truss Screw Small	2	2	2	2	2	2	2	2	0	2	0	0	0
9 Tapping Screw	6	6	6	6	6	8	6	6	10	8	12	12	14
10 Screw	2	2	2	2	2	0	2	2	2	2	1	1	2
11 Wall Anchor	2	2	2	2	2	0	2	2	2	2	2	2	2

* For 8S and 9S, hardware are slightly different. Refer to the installation manual.