



OUTDOOR GRILL

36 & 48" BE models

GRIL EXTÉRIEUR

Modèles 36 et 48" BE

**INSTALLATION GUIDE / USER GUIDE
GUIDE D'INSTALLATION / GUIDE D'UTILISATION**

US CA

Safety and warnings	3
Grill models	6
Product dimensions	7
Installation	
Locating grill / built-in clearances	8
Built-in construction details	13
Gas hook-up	15
Leak testing	18
Electrical connection	19
Burner adjustment	20
Radiant assembly	21
Installer checklist	22
Using the grill	
Lighting instructions	24
Grilling	25
Using the grates	32
Using the charcoal insert	33
Using the rotisserie	34
Accessories	39
Care & maintenance	40
Troubleshooting	44
Warranty and Service	45

IMPORTANT!
SAVE THESE INSTRUCTIONS

The models shown in this user guide may not be available in all markets and are subject to change at any time. For current details about model and specification availability in your country, visit our website listed on the back cover or contact your DCS by Fisher & Paykel dealer.

A MESSAGE TO OUR CUSTOMERS

Thank you for selecting this DCS Evolution Series Grill. This installation and user guide contains valuable information on how to properly install, operate and maintain your new appliance for years of safe and enjoyable cooking.

Please fill out and submit your Product Registration by visiting our website at www.dcsappliances.com and selecting "Support" on the home page and then selecting "Product Registration". In addition, keep this guide handy, as it will help answer questions that may arise as you use your new appliance.

For your convenience, product questions can be answered by a DCS Customer Care Representative at www.dcsappliances.com, or email: customer.care@fisherpaykel.com.

Please write the model, code, and serial numbers on this page for reference (this can be found on the inside, right side panel behind the drip pan handle. See page 22.)

MODEL NUMBER _____ CODE _____ SERIAL NUMBER _____

IMPORTANT!

DO NOT discard any packing material (box, pallet, straps) until the unit has been inspected. Inspect the product to verify that there is no shipping damage. If any damage is detected, call the shipper and initiate a damage claim. DCS by Fisher & Paykel is not responsible for shipping damage.

To reduce the risk of fire, electrical shock, injury to persons, or damage when using the appliance, follow the important safety instructions listed below:

⚠ WARNING!



Hot Surface Hazard

Accessible parts may become hot during use.

Do not touch surface units or areas near units of the grill.

Hood must be opened before lighting the grill.

Never let clothing or other flammable materials come in contact with or get too close to any grate, burner or hot surface until it has cooled. Fabric may ignite and result in fire or personal injury.

Never lean over an open grill. When lighting a burner, always pay close attention to what you are doing. Be certain you are pushing the burner knob when you attempt to light the grill.

When using the grill, do not touch the grill burner, grate, or immediate surrounding area as these areas become extremely hot and could cause burns.

Grease is flammable. Never operate the grill without a grease tray. Let hot grease cool before attempting to handle it. Avoid letting grease deposits collect in the drip pan.

Clean the grill with caution. Avoid steam burns; do not use a wet sponge or cloth to clean the grill while it is hot. Some cleaners produce noxious fumes or can ignite if applied to a hot surface.

Use only dry potholders; moist or damp potholders on hot surfaces may cause burns from steam. Do not use a towel or bulky cloth in place of potholders. Do not let potholders touch hot portions of the grill or burner grate.

To avoid burns when cooking, use long handled BBQ tools.

Failure to follow this advice may result in burns and scalds or serious injury.

⚠ WARNING!



Explosion Hazard

If you smell gas, do not use the appliance.

Do not use water on grease fires, a violent steam explosion may result. Turn all burners off, then smother fire or flame or use dry chemical or foam-type extinguisher.

Do not heat unopened food containers such as cans - Build up of pressure may cause container to burst and result in injury.

Failure to follow this advice may result in injury or death.

⚠ WARNING!



Fire Hazard

Do not operate the grill under unprotected combustible construction. Use only in well ventilated areas. Do not use in buildings, garages, sheds, breezeways, covered structures or other such enclosed areas. This unit is for outdoor use only.

Never leave the grill unattended when in use.

Never store a spare LP cylinder under or near this unit.

Never fill the tank beyond $\frac{3}{4}$ full.

Failure to follow this advice may result in death or serious injury.

⚠ WARNING!



Electrical Shock Hazard

This appliance is equipped with a three-prong or four-prong grounding plug for your protection against shock hazard and should be plugged directly into a properly grounded power outlet. Do not under any circumstances cut or remove the grounding prong from this plug.

Failure to follow this advice may result in death or electrical shock.

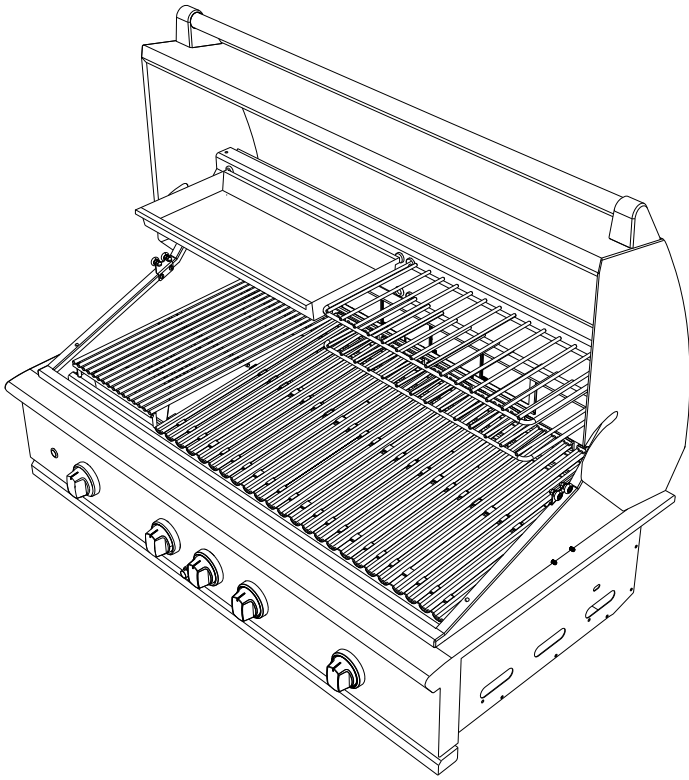
IMPORTANT SAFETY INSTRUCTIONS!

- After a period of storage or non-use (such as over the winter), the gas grill should be checked for gas leaks, deterioration, proper assembly, and burner obstructions before using.
- Always use a covered hand when opening the grill hood and only do so slowly to allow heat and steam to escape.
- After lighting burners, make sure burners are operating normally (see page 20).
- Do not use aluminium foil to line drip pans or grill grates or radiants. This can severely upset combustion air flow or trap excessive heat in the control area. The result of this can be melted knobs or damaged ignition components.
- Do not operate with a damaged cord or plug, after the appliance malfunctions or after the appliance has been damaged in any manner. Contact the manufacturer for repair.
- Do not let the rotisserie cord hang over the edge of a table or touch hot surfaces.
- Do not use an outdoor cooking appliance for purposes other than intended.
- Do not use lighter fluid in the charcoal burner insert or on the gas burners.
- Be sure all grill controls are turned off and the grill is cool before using any type of aerosol cleaner on or around the grill. The chemical that produces the spraying action could, in the presence of heat, ignite or cause metal parts to corrode.
- Never grill without the drip pan and grease tray in place and hooked into the front of the grease tray (see Fig. 34 on page 40 for diagram). Without it hot grease could leak downward and produce a fire or explosion hazard.
- If you are using griddle plates, do not place them side by side on the grill or on top of the Infrared Hybrid Burner.
- Never use the grill in a windy area.
- Do not try lighting this appliance without reading the “LIGHTING INSTRUCTIONS” section of this manual.
- Do not locate, store or operate the grill on an inclined plane.
- Keep any electrical supply cord, or the rotisserie motor cord away from the heated areas of the grill and water (pools, fountains, puddles).
- Never use a dented or rusty LP tank. Keep the ventilation openings of the cylinder enclosure free and clear from debris.
- Have an ABC rated Fire Extinguisher accessible - never attempt to extinguish a grease fire with water or other liquids.
- Do not move the appliance during its use.
- Do not operate in enclosed areas. This could result in carbon monoxide build-up which would result in injury or death.
- When using a grill, be sure that all parts of the unit are firmly in place and that the grill is stable (can't be tipped over).
- To put out flare-ups, adjust the controls to lower the temperature
- Do not ignite the grill burners while the rotisserie burner is lit.
- Never attach or disconnect an LP cylinder, or move or alter gas fittings when the grill is in operation or is hot.
- CALIFORNIA PROPOSITION 65-WARNING: the burning of gas cooking fuel generates some by-products which are on the list of substances which are known by the State of California to cause cancer or reproductive harm. California law requires businesses to warn customers of potential exposure to such substances. To minimize exposure to these substances, always operate this unit according to the manual, ensuring you provide good ventilation when cooking with gas.
- This outdoor cooking gas appliance is not intended to be installed in or on recreational vehicles, trailers and/or boats.
- This product must be installed by a licensed plumber or gas fitter when installed within the Commonwealth of Massachusetts.

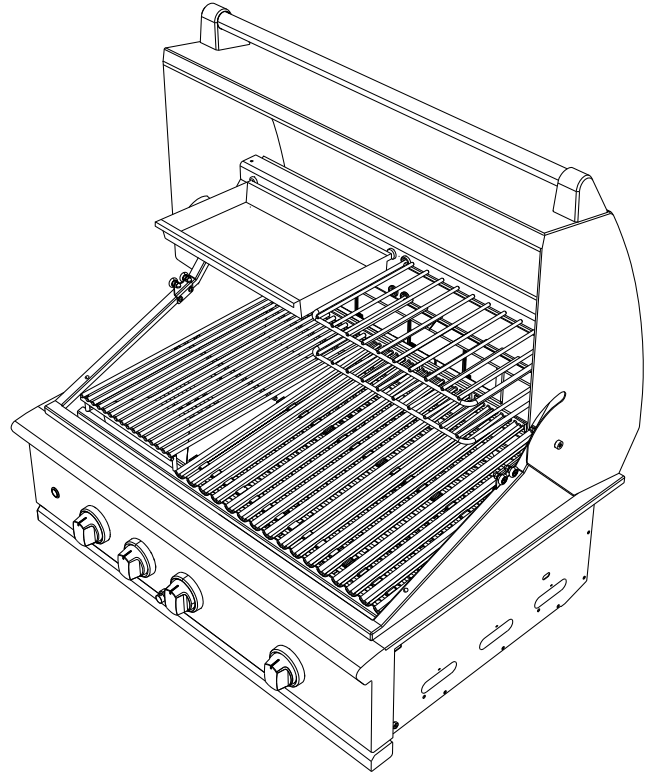
IMPORTANT SAFETY INSTRUCTIONS!

- Certain Liquid Propane dealers may fill liquid propane cylinders for use in the grill beyond cylinder filling capacity. This “overfilling” may create a dangerous condition. “Overfilled” tanks can build up excess pressure. As a safety device, the tank pressure relief valve will vent propane gas vapor to relieve this excess pressure. This vapor is combustible and therefore can be ignited. To reduce this danger, you should take the following safety precautions:
 - When you have your tank filled, be sure you tell the supplier to fill it to no more than $\frac{3}{4}$ (75%) of its total capacity.
 - If you own or use a spare tank, or have a disconnected tank, you should NEVER store it near or under the grill unit or heat box, or near any other ignition or heat source. A metallic sticker with this warning is provided with the grill. Install this sticker close to your barbeque grill.
 - Do not store a full tank in direct sunlight.
- Push in and turn the selected control knob to HI/SEAR position. Release the knob when the burner lights. If burner does not light in four to five seconds, turn knob “OFF” and wait five minutes before trying again so any accumulated gas may dissipate.
- Before each use, inspect the gas supply piping or hose prior to turning the gas “ON”. If there is evidence of cuts, wear, or abrasion, it must be replaced prior to use.
- Follow the installation instructions within this manual. Have your grill installed by a qualified installer. Have the installer show you where the gas supply shut-off valve is located so that you know where and how to shut off the gas to the grill. If the connections are not perfectly sealed, you can have a small leak and therefore a faint gas smell. Some leaks can only be found with the burner control in the “ON” position - this must be done by a qualified technician.
- Children should not be left alone or unattended in an area where the grill is being used. Never allow them to sit, stand or play on or around the grill at any time. When in use, portions of the grill get hot enough to cause severe burns.
- Do not store items of interest to children around or below the grill.
- Clean and perform general maintenance on the grill twice a year. Watch for corrosion, cracks, or insect activity. Check the regulator, hoses, burner ports, air shutter, and venturi/valve section carefully. Always turn off gas at the source (tank or supply line) prior to inspecting parts.
- Never use the grill burners while the rotisserie burner is lit.

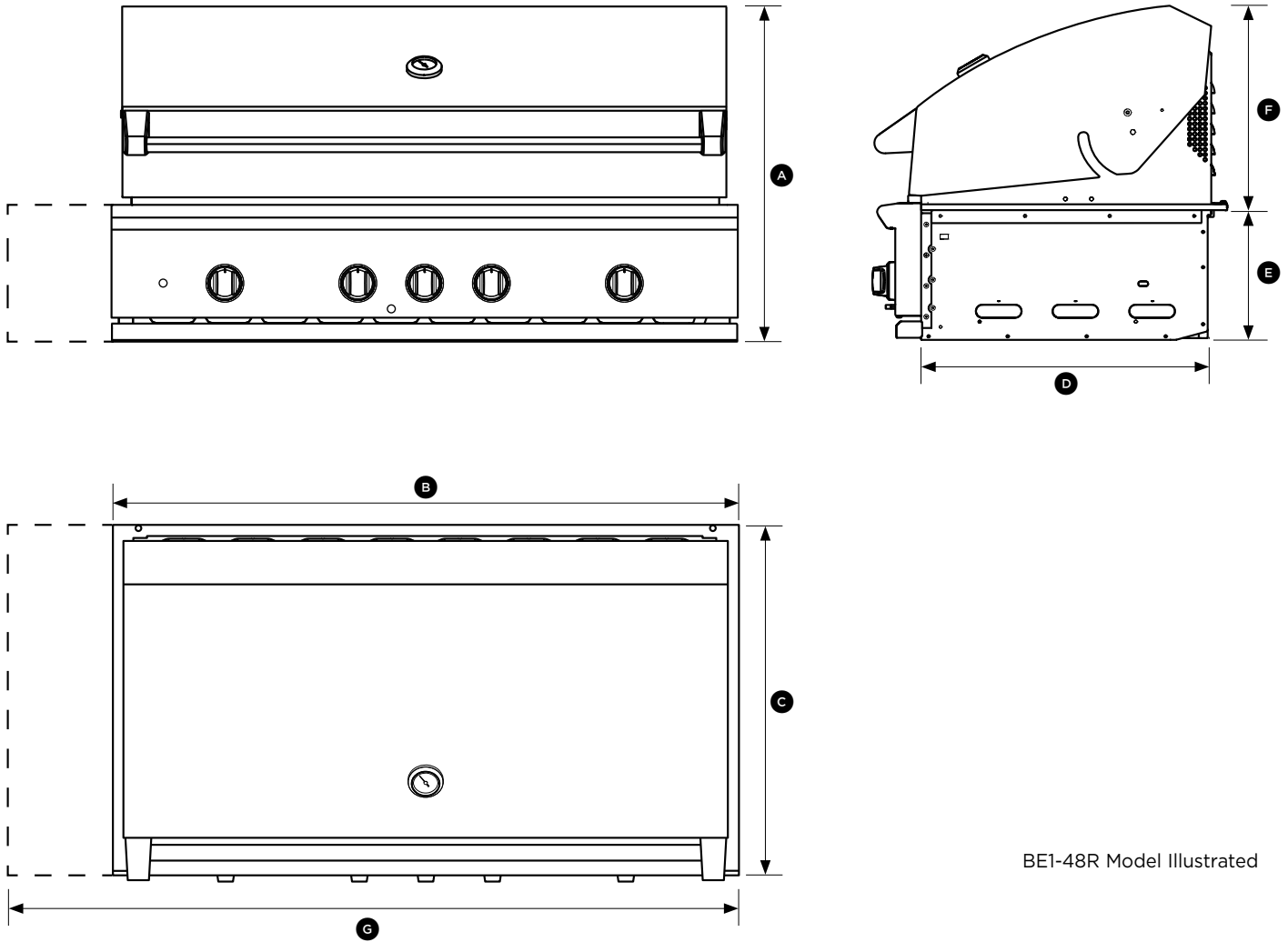
GRILL MODELS



BE1-48R



BE1-36R



BE1-48R Model Illustrated

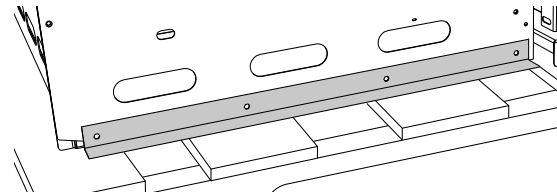
PRODUCT DIMENSIONS	BE1-48R	BE1-36R
	Inches (mm)	Inches (mm)
(A) Overall height of grill	27 1/4" (692)	27 1/4" (692)
(B) Overall width of grill	47 15/16" (1217)	35 15/16" (912)
(C) Overall depth of grill (excluding handle and dials)	26 7/8" (682)	26 7/8" (682)
(D) Depth of chassis	22" (559)	22" (559)
(E) Height of chassis	9 15/16" (252)	9 15/16" (252)
(F) Height of hood	17 7/16" (443)	17 7/16" (443)
(G) Overall width of grill with storage unit attached	53 15/16" (1369)	23 7/16" (1065)

INSTALLATION

Locating Grill/Built-in Clearances

IMPORTANT!

Before installation, remove shipping brackets from the grill. Loosen the four screws. Slide the shipping bracket off and re-tighten the screws.



Location

When determining a suitable location, take into account concerns such as exposure to wind, proximity to traffic paths and keeping any gas or electrical supply lines as short as possible and away from heat sources. Locate the grill only in a well ventilated area. Do not build the grill under overhead unprotected combustible construction. Never locate the grill in a building, garage, breezeway, shed or other such enclosed areas. During heavy use, the grill will produce a lot of heat and smoke. Ensure that the grill is used in a well ventilated area.

If locating the grill in a windy area, try to locate the grill so the prevailing wind will blow air at the front of the grill as shown in Fig. 01b. This will assist the grill in venting hot air through the back of the grill. In addition, this will help keep any smoke from blowing at someone who is cooking on the grill. If you have to locate the grill in a windy area where the prevailing wind is at the rear of the grill (Fig. 01a), a windscreen must be installed. The windscreen should be set-up so that it blocks wind from entering the exhaust vent in the rear of the unit as shown in Fig. 01c. Location of the windscreen relative to rear of the grill must adhere to the clearances specified for combustible or non-combustible construction as defined in these instructions. Refer to following pages.

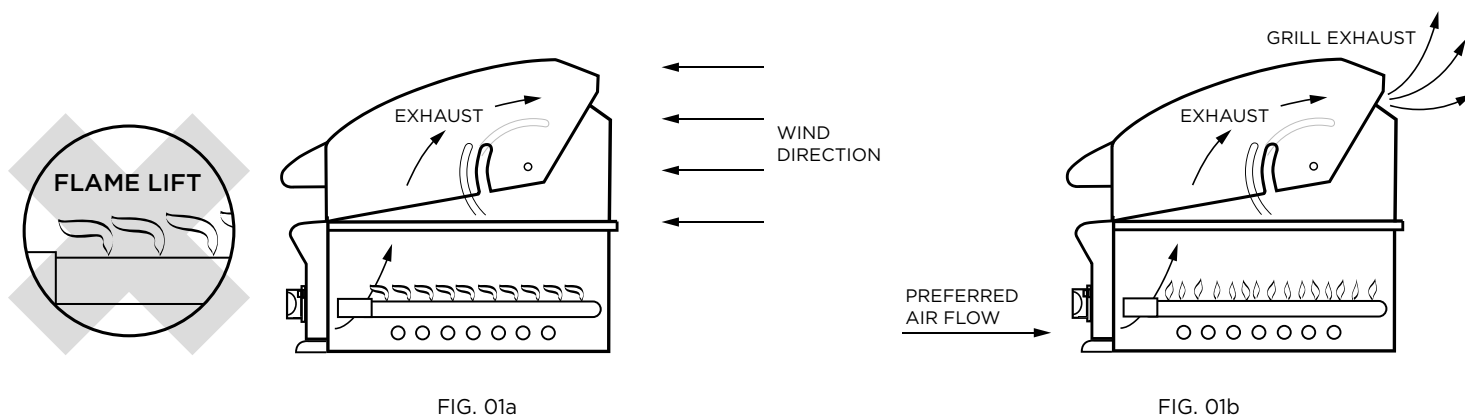
As a high-performance gas appliance, your grill requires significant amounts of air to support the combustion process. Your grill is designed to take air in through the valve panel area, and send the exhaust products out through the exhaust gap at the rear of the hood. Using your grill in windy conditions can disrupt the proper flow of air through your grill, leading to reduced performance, or in certain severe cases, causing heat buildup in the valve panel area. This can lead to problems such as having the knobs melt, or burn hazards when the valve panel surfaces become too hot to touch.

Please note that damage to your grill resulting from use in windy conditions, such as melted knobs or igniter wires, or valve panel discoloration from heat build-up, are excluded from warranty coverage.

Locating Built-in Clearances

IMPORTANT!

Gas fittings, regulator, and installer supplied shut-off valves must be easily accessible.



Wind hitting the grill while in use, (especially wind blowing into or across the hood gap) can cause poor performance and in some cases can cause the control panel to get dangerously hot.

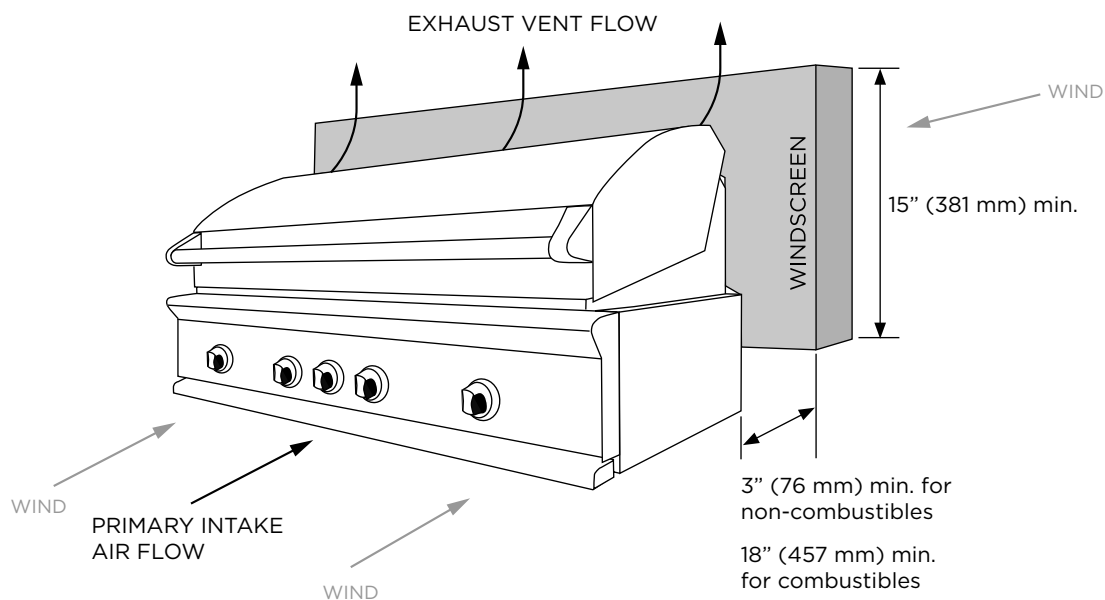


FIG. 01c

If wind is an issue, a windscreen should be added. The windscreen should be higher than the top of the opening in the back of the grill, with a minimum clearance of 3" (76mm) for non-combustibles, or 18" (457mm) for combustibles, from the back of the grill

INSTALLATION

Locating Built-in Clearances

Clearances to non-combustible construction*

A minimum of 3" (76mm) clearance from the back of the grill to non-combustible construction is required for the purpose of allowing the hood to open fully. It is desirable to allow at least 6" (153mm) rear and side clearance to non-combustible construction above the cooking surface for counter space. If you'll be using the rotisserie option, the space is essential for motor and skewer clearance. The grill can be placed directly adjacent to non-combustible construction below the cooking surface (Fig. 02).

Note: if intending to use the rotisserie, the minimum clearance will be from the rotisserie motor instead of the side of the grill.

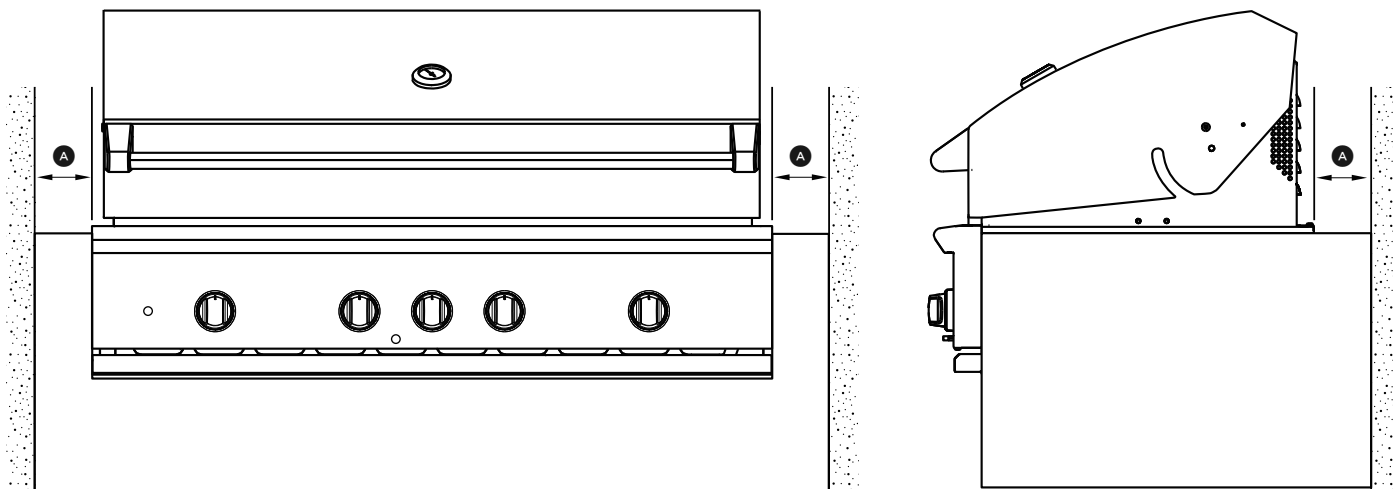



FIG. 02

PRODUCT DIMENSIONS	INCHES (MM)	
Ⓐ Minimum distance from non-combustible surface to grill	3" (76)	 = NON-COMBUSTIBLE SURFACE

***DEFINITION OF NON-COMBUSTIBLE MATERIAL** - Material which is not capable of being ignited and burned, such as materials consisting entirely of, or a combination of, steel, iron, brick tile, concrete, slate, and plaster.

General

The grill is designed for easy placement into built-in masonry enclosures. For non-combustible applications the grill drops into the opening shown in Fig. 05 and hangs from its side flanges. A deck is not required to support it from the bottom. When using the insulated jacket in a combustible enclosure application, see the Fig. 06. The insulation jacket assembly must be supported from the bottom by a ledge on each side and back or a solid deck.

A spirit level should be used to ensure that the unit is level both front-to-back and side-to-side. If it is not level, burner combustion may be erratic or the unit may not function efficiently for grease flow. If the floor is uneven, re-leveling may be required whenever a freestanding unit is moved.

IMPORTANT!

- **Failure to maintain required clearances creates a fire hazard that may result in property damage or serious personal injury.**
- **The grill is designed to function in an open area. Recommended minimum clearances should be maintained to all surfaces (combustible and non-combustible) for optimum performance. Non-combustible material within the minimum clearance area could result in discoloration or deterioration.**
- **If a non-combustible material such as stucco is covering a combustible material such as wood, the minimum clearance distance needs to be considered for wood. The presence of a non-combustible material inside the clearance zone does not eliminate the minimum clearance zone to combustible material.**

Locating Built-in Clearances

Clearances to combustible construction**

Minimum of 18" (457mm) from the sides and rear of grill must be maintained to adjacent vertical combustible construction, above the counter top level. Intense heat, and large volumes of smoke will exhaust from the rear of the grill (Fig. 01b). This may discolor or damage unprotected areas. Do not install under unprotected combustible construction without using a fire safe ventilation system.

A 18" (457mm) minimum clearance must be maintained under the counter top to combustible construction. The clearance can be modified by a use of an insulated jacket. Insulated jackets can be purchased from our website, www.dcsappliances.com.

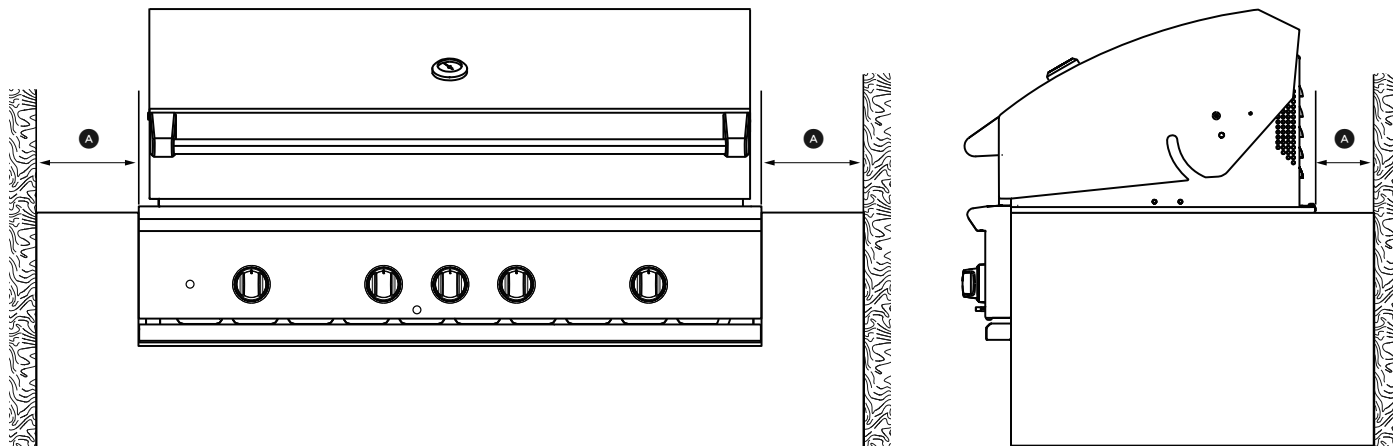


FIG. 03

PRODUCT DIMENSIONS	INCHES (MM)
Ⓐ Minimum distance from combustible surface to grill	18" (457)

= COMBUSTIBLE SURFACE

****DEFINITION OF COMBUSTIBLE MATERIAL** - Any materials of a building structure or decorative structure made of wood, compressed paper, plant fibers, vinyl/plastic or other materials that are capable of transferring heat or being ignited and burned. Such material shall be considered combustible even though flame-proofed, fire-retardant treated or surface-painted, or plastered.

IMPORTANT!

It is recommended that a minimum of two 12 1/4x12 1/4" (311 x 311mm) vents be provided in order to safely dissipate unburned gas vapors in the event of a gas supply leak. These are to be located on each side of the enclosure and within 5" (127mm) of the top.

Insulated jacket

If the grill is to be placed into a combustible enclosure, an approved insulated jacket is necessary. Insulated jackets are available from your dealer. Use only the DCS insulated jacket which has specifically been designed and tested for this purpose. Review the detail drawing shown (Fig. 06) and take into account the provisions shown for gas line hook-up clearance in the right rear corner. It is required that ventilation holes are provided in the enclosure to eliminate the potential build-up of gas in the event of a gas leak. The supporting ledges or deck must be level and flat and strong enough to support the grill and insulated jacket. The counter should also be level.

IMPORTANT!

Installing this product into a combustible enclosure without an insulated jacket could result in fire, property damage and personal injury.

INSTALLATION

Locating Built-in Clearances

Clearances to protected combustible construction***

A minimum of 12" (305mm) clearance from the sides and rear of grill must be maintained to adjacent vertical protected combustible construction. Intense heat, and large volumes of smoke will exhaust from the rear of the grill. This may discolor or damage unprotected areas. The 12" (305mm) includes 4" (102mm) min. non-combustible material plus an additional 8" (203mm) min. clearance between the grill and the protected combustible construction. This can be achieved by brick or concrete (Fig. 04a) or a metal stud finished with non-combustible substrate (Fig. 04b).

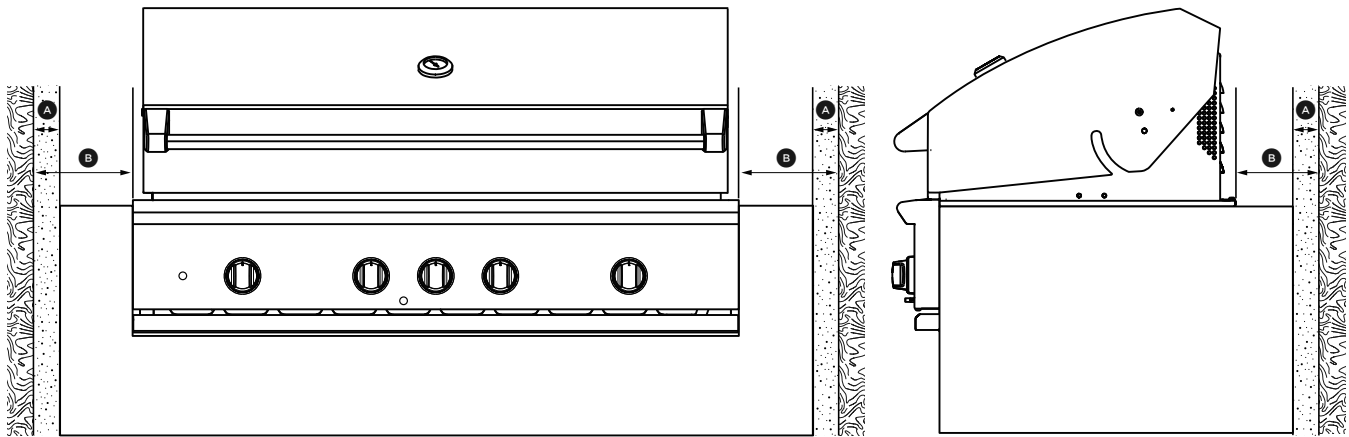


FIG. 04a

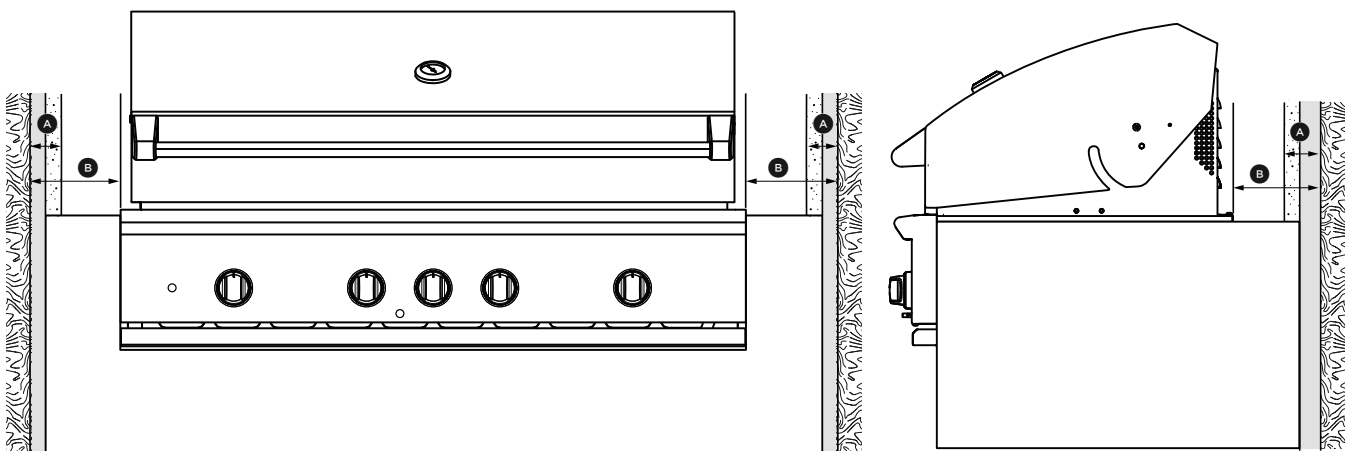


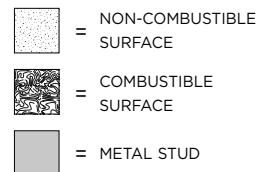
FIG. 04b

PRODUCT DIMENSIONS

- Ⓐ Minimum non-combustible surface width
- Ⓑ Minimum distance from combustible surface to grill

INCHES (MM)

- 4" (102)
- 12" (305)



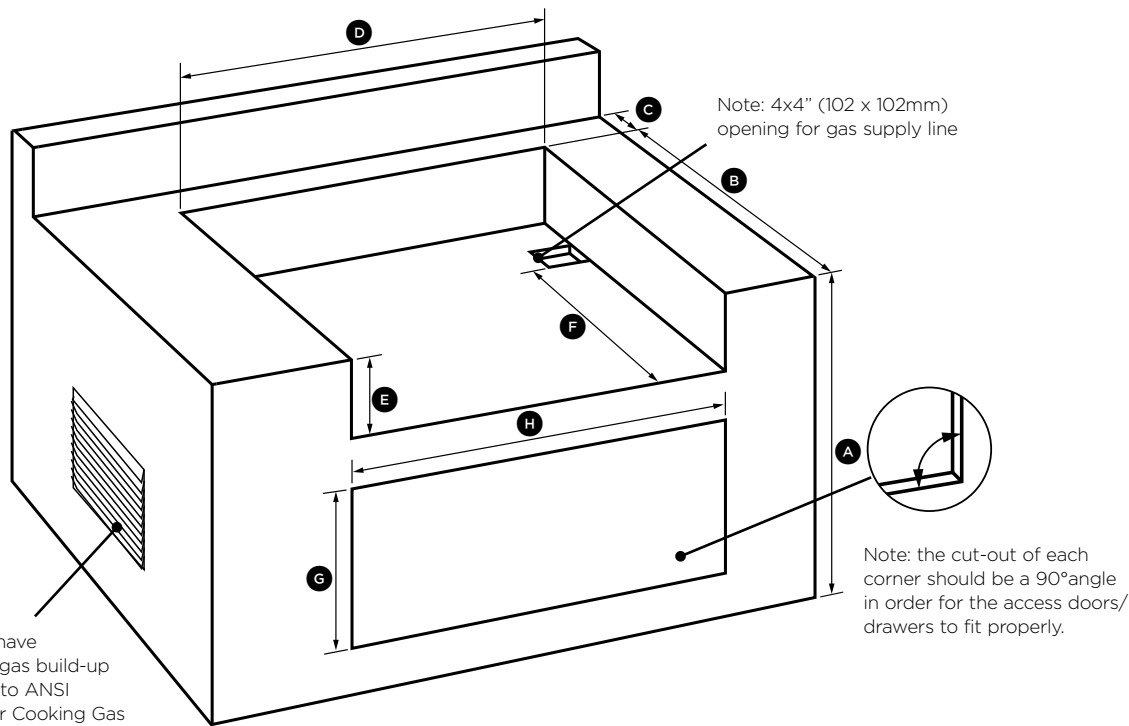
***DEFINITION OF PROTECTED COMBUSTIBLE SURFACE - A wall of non-combustible material in front a wall of combustible material, to act as a barrier. For definitions of non-combustible and combustible material, please refer to previous pages.

Built-in Construction Details

Standard layout for non-combustible cavity

IMPORTANT!

If installing the grill into a non-combustible enclosure, all combustible construction must still be outside the 18" (457mm) clearance zone. If your island is made of stucco over the top of wooden studs, the wood can not be inside the 18 inch clearance zone to combustible, even though the stucco is what is touching the grill area.



Note: the enclosure should have ventilation holes to prevent gas build-up in the event of a leak. Refer to ANSI Z21.58 Standard for Outdoor Cooking Gas Appliances, Section 1.7 Enclosures For Self Contained LP-Gas Supply Systems.

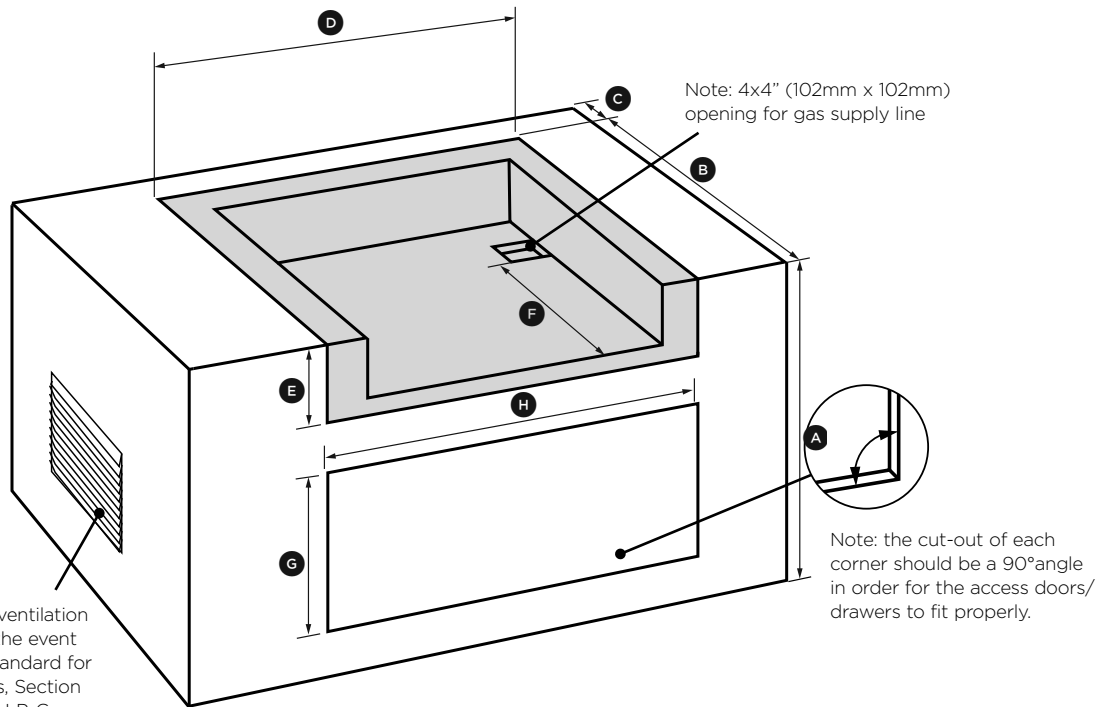
FIG. 05

CAVITY DIMENSIONS	BE1-48R Inches (mm)	BE1-36R Inches (mm)
Ⓐ Maximum height of enclosure shell	35 1/2" (902)	35 1/2" (902)
Ⓑ Depth of enclosure shell	22 3/4" (578)	22 3/4" (578)
Ⓒ Minimum depth for hood swing	3 3/4" (95)	3 3/4" (95)
Ⓓ Width of enclosure cavity	45 3/4" (1162)	34 1/2" (876)
Ⓔ Height of enclosure cavity	10 1/8" (257)	10 1/8" (257)
Ⓕ Depth to gas supply opening	18 1/2" (470)	18 1/2" (470)
Ⓖ Height of opening for access doors/drawers	20" (508)	20" (508)
Ⓗ Width of opening for access doors/drawers	46" (1168)	34" (864)

INSTALLATION

Built-in Construction Details

Standard layout for cavity including insulated jacket



Note: the enclosure should have ventilation holes to prevent gas build-up in the event of a leak. Refer to ANSI Z21.58 Standard for Outdoor Cooking Gas Appliances, Section 1.7 Enclosures For Self Contained LP-Gas Supply Systems.

FIG. 06

CAVITY DIMENSIONS	BE1-48R	BE1-36R
	Inches (mm)	Inches (mm)
Ⓐ Maximum height of enclosure shell	35 1/2" (902)	35 1/2" (902)
Ⓑ Depth of enclosure shell	22 3/4" (578)	22 3/4" (578)
Ⓒ Minimum depth for hood swing	3 3/4" (95)	3 3/4" (95)
Ⓓ Width of enclosure cavity	51 5/8" (1318)	40 1/2" (1029)
Ⓔ Height of enclosure cavity	11 1/8" (283)	11 1/8" (283)
Ⓕ Depth to gas supply opening	18 1/2" (470)	18 1/2" (470)
Ⓖ Height of opening for access doors/drawers	20" (508)	20" (508)
Ⓗ Width of opening for access doors/drawers	46" (1168)	34" (864)

ACCESS DOORS MODEL NUMBER	ACCESS DRAWERS MODEL NUMBER	CAVITY WIDTH	CAVITY HEIGHT
		Inches (mm)	Inches (mm)
ADN1-20x48	ADR2-48	46" (1168)	20" (508)
ADN1-20x36	ADR2-36	34" (864)	20" (508)
ADN1-20x30	ADR2-30	28" (711)	20" (508)
ADN1-20x24	ADR2-24	22" (559)	20" (508)

To order access drawers or doors, please visit www.dcsappliances.com for further details.

Gas Hook-up

Gas requirements

Verify the type of gas supply to be used, either natural or LP, and make sure the marking on the appliance rating plate agrees with that of the supply. The rating plate is located on the underside of the drip tray. Never connect an unregulated gas line to the appliance. You must use a gas regulator even if the supply is controlled.

An installer-supplied gas shut-off valve must be installed in an easily accessible location. All installer supplied parts must conform to local codes, or in the absence of local codes, with the National Electrical Code, ANSI/NFPA 70 or the Canadian Electrical Code, CSA C22.1, and the National Fuel Gas Code, ANSI Z223.1 or CSA-B149.1 Natural Gas Installation Code or CSA-B149.2 Propane Installation Code. In Massachusetts such shut-off valves should be approved by the Board of State Examiners or Plumbers & Gas Fitters.

All pipe sealants must be an approved type and resistant to the actions of LP gases. Never use pipe sealant on flare fittings. All gas connections should be made by a qualified technician and in accordance with local codes and ordinances. In the absence of local codes, the installation must comply with the National Fuel Gas Code ANSI Z223.1. Gas conversion kits are available from Customer care. When ordering gas conversion kits, have the model number, and the type of gas (natural or LP) from your grill.

Total gas consumption of the grill with all burners on HI

BE1-48R - 118,000 Btu/hr or 124.5 Mj/hr BE1-36R - 89,000 Btu/hr or 93.3 Mj/hr

The appliance and its individual shut-off valve must be disconnected from the gas supply piping system during any pressure testing of that system at test pressures in excess of 1/2 PSIG (3.5 kPa). The appliance must be isolated from the gas supply piping system by closing its individual manual shut-off valve during any pressure testing of the gas supply piping system at test pressures equal to or less than 1/2 PSIG (3.5 kPa). The installation of this appliance must conform with local codes or, in the absence of local codes, with the National Fuel Gas Code, ANSI Z223.1/NFPA 54. Installation in Canada must be in accordance with Natural Gas and Propane Installation Code, CSA B149.1, and/or Propane Storage and Handling Code, B149.2 and local codes.

Natural gas built-in hook-up

(This should be performed by a technician only.)

Connection: 1/2" NPT female. **Operating pressure:** 4.0" W.C. **Supply pressure:** 5" to 14" WC. If in excess of 14" W.C. a step down regulator is required. Check with your local gas utility company or local codes for instructions on installing gas supply lines. Be sure to check on type and size of run, and how deep to bury the line. If the gas line is too small, the grill will not function properly. Any joint sealant used must be an approved type and be resistive to the actions of LP gases.

To hook-up the fittings supplied with the grill

Assemble as shown (Fig. 07). Use threading compound on male threads only. Use a second pipe wrench to hold the grill inlet pipe to avoid shifting any internal gas lines of the grill. Ensure that the regulator arrow points in the direction of gas flow towards the unit, away from the supply. Do not forget to place the installer-supplied gas valve in an accessible location.

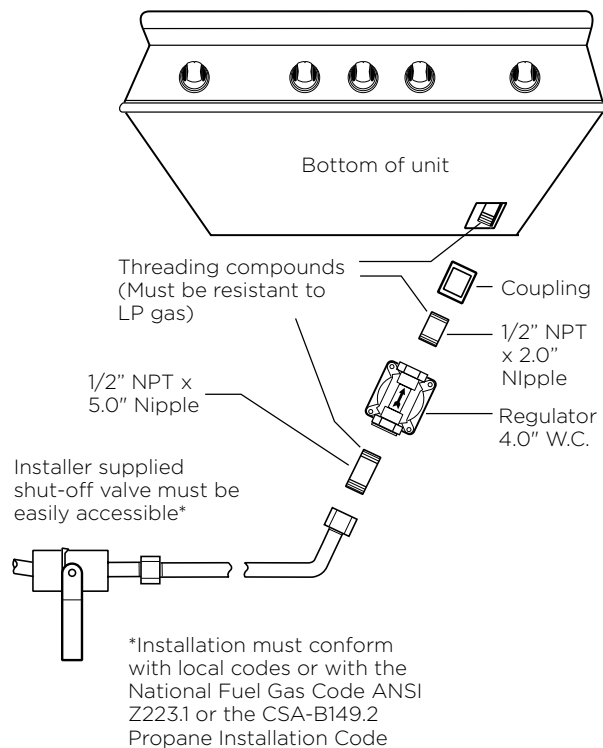


FIG. 07 Natural Gas

INSTALLATION

Gas Hook-up

LP cart hook-up

Grills orificed for use with LP gas come equipped with a high capacity hose/regulator assembly for connection to a standard 20 lb. LP cylinder (Type 1). The LP tank is not included. The grill system is leak tested, do not remove the Regulator/Hose assembly from the grill during cart installation.

Connection: LP Hose with a Type 1 quick disconnect and regulator is included. **Operating pressure:** 11.0" W.C. Note: all gas piping and connectors must conform to the Standard for Connectors for Outdoor Gas Appliances and Manufactured Homes, ANSI Z21.75/CSA 6.27.

To connect the LP regulator/hose assembly to the tank/valve assembly, first make sure the main valve on the tank is completely closed. Although the flow of gas is stopped when the Type 1 system is disconnected as part of its safety feature, you should always turn off the LP tank main valve (Fig. 08) after each use and during transport of the tank or unit. Insert the regulator inlet into the tank valve and turn to the black coupler clockwise until the coupler tightens up. Do not over tighten the coupler. Turn the main tank valve on and turn the burner control valves on the unit to the "HI" position for about 20 seconds to allow the air in the system to purge. Turn valves off and wait five minutes before attempting to ignite the burners.

To disconnect the coupler, first make sure the main tank valve is turned off. Grasp the coupler and turn counter clockwise. The inlet will then disengage. Remove the inlet from the tank valve opening if it has not already done so when it disengaged. Your local LP filling station should be equipped with the proper equipment to fill your tank.

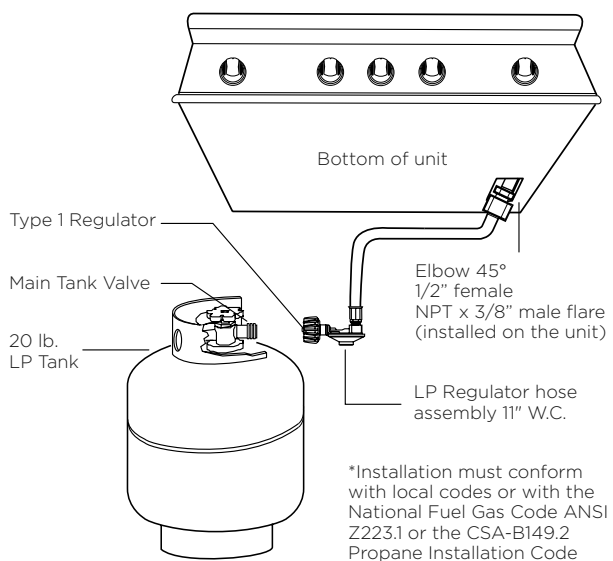


FIG. 08 LP Gas - Cart

IMPORTANT!

- Before connecting LP tank to regulator, check that all grill burners and rotisserie valves are in the OFF position and open grill hood.
- Do not place the Grill directly on the ground or any other flat surface without support. This will prevent damaging the regulator/hose assembly by the weight of the grill.
- Check the hose, regulator and connectors for damage. Look for cracks, abrasions, brittleness, holes, dents and nicks.
- Do not attempt to remove, repair, or replace the regulator/hose assembly by yourself. It must be done by a qualified licensed technician only.

LP tank requirements:

A dented or rusty LP tank may be hazardous and should be checked by your LP supplier. The cylinder that is used must have a collar to protect the cylinder valve. Never use a cylinder with a damaged valve. Always check for leaks after every LP tank change. The LP gas cylinder must be constructed and marked in accordance with the specifications for LP gas cylinders of the U.S. Department of Transportation (DOT or CAN/CSA-B339) and designed for use with a Type 1 system only. Do not change the regulator/hose assembly from that supplied with the unit or attempt to use a Type 1 equipped regulator/hose assembly with a standard 510 POL tank/valve assembly. The cylinder must be provided with a shut-off valve terminating in an LP gas supply cylinder valve outlet specified, as applicable, for connection Type 1. If the appliance is stored indoors, the cylinder must be disconnected and removed from the appliance. Cylinders must be stored outdoors in a well-ventilated area out of the reach of children.

Gas Hook-up

LP built-in hook-up

If the grill is to be installed in a built-in application, then the grill must be installed in accordance with the built-in installation guidelines and the LP regulator/hose assembly must be removed from the product.

Connection: LP Hose with a Type 1 quick disconnect and regulator is included. **Operating pressure:** 11.0" W.C. All gas piping and connectors must conform to the Standard for Connectors for Outdoor Gas Appliances and Manufactured Homes, ANSI Z21.75/CSA 6.27.

If you intend to operate your built-in grill on LP gas utilizing a 20v lb type 1 cylinder, then a built-in LP tank restraint must be installed prior to initial use of the grill. The Installer must supply 1/2" ID Flex hose and fixed pipe and a flare adaptor as indicated in Fig. 09.

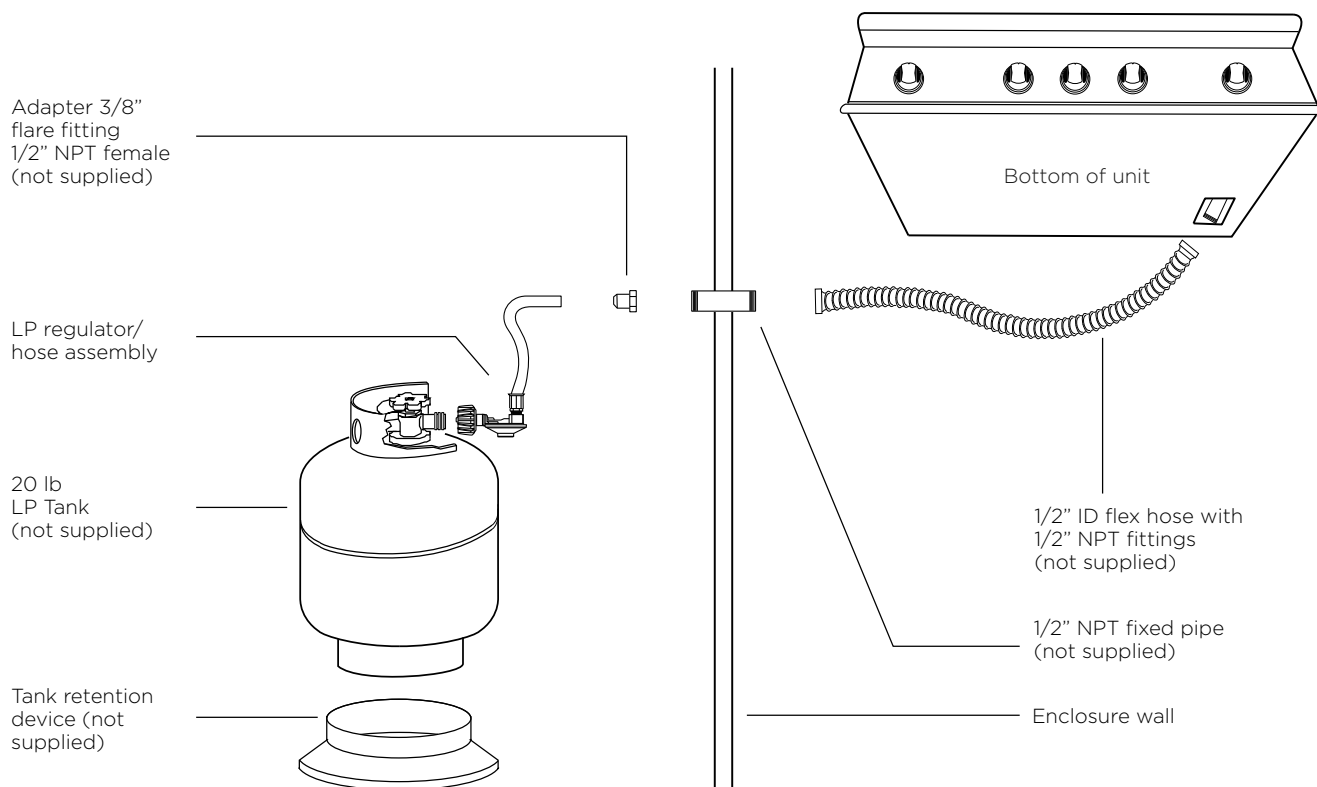


FIG. 09 LP Gas - Built-in

Note: when an LP unit is being directly connected to an LP house system, you must follow the natural gas hook up guidelines.

The installer must provide the proper gas regulator to reduce the gas pressure to 11" W.C.

IMPORTANT!

Gas piping and connectors must be clamped within the the enclosure to avoid contact with moving parts and hot surfaces. Where the gas piping passes through an opening in the enclosure, the piping must be protected for a distance of at least 2" (50mm) either side of the opening.

INSTALLATION

Leak Testing

IMPORTANT!

Gas leak testing must be carried out by a qualified technician.

General

Regularly check the whole system for leaks, or immediately check if the smell of gas is detected.

Before Testing

Do not smoke while leak testing. Extinguish all open flames. Never leak test with an open flame.

Make a soap solution of one part liquid detergent and one part water. You will need a spray bottle, brush, or rag to apply the solution to the fittings. For LP units, check with a full cylinder.

To Test

Make sure all control valves are in the "OFF" position. Turn the gas supply "ON". Check all connections from the supply line, or LP cylinder. Apply the soap solution around the connection, tubing and end of the manifold. Soap bubbles will appear where a leak is present. If a leak is present, immediately turn off gas supply, tighten any leaking connections, turn gas on, and recheck.

If you cannot stop a gas leak turn off the gas supply and call your local gas utility, or the dealer you purchased the appliance from. Only those parts recommended by the manufacturer should be used on the grill. Substitution can void the warranty.

IMPORTANT!

- **Do not use the grill until all connections have been checked and do not leak.**
- **Check all gas supply fittings for leaks before each use. Keep a spray bottle of soapy water near the gas supply shut-off valve. Spray all the fittings, bubbles indicate leaks**

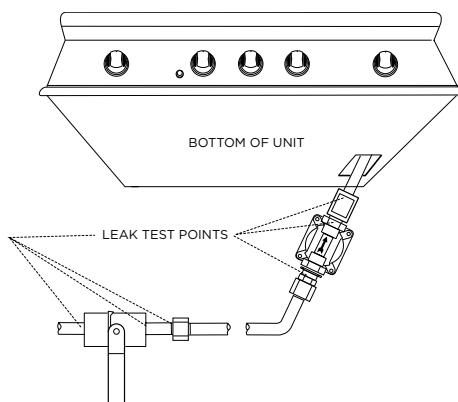


FIG. 10 Nat. Gas

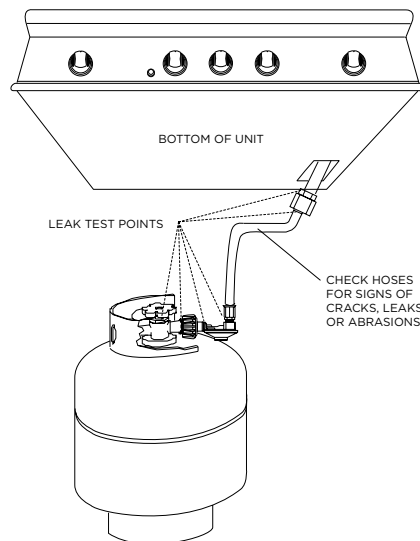


FIG. 11 LP Gas - cart

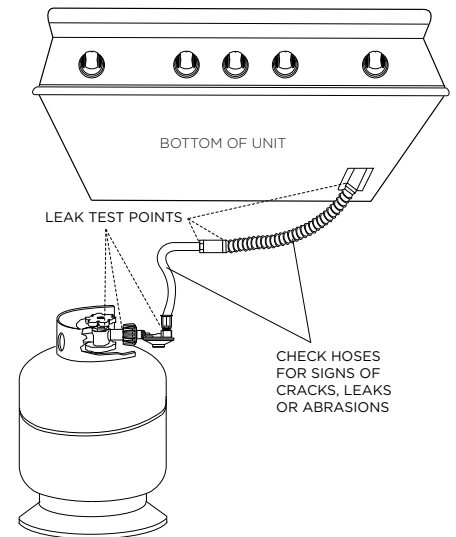


FIG. 12 LP Gas - built-in

Electrical Connection

All units are supplied with a 12V power transformer to operate the products ignition and dial illumination features. The transformer is sealed in a box with an attached power supply cord.

Use only a Ground Fault Interrupter (GFI) protected circuit with this product.

An outdoor 120VAC 15A GFI electrical outlet should be installed by a qualified electrician either inside the island enclosure for built-in units, or near the location where a free-standing unit will be used. For built-in products, the supplied 12V transformer should be connected during installation.

Installation

The transformer must be secured below the product in a dry location away from any excessive heat. Be sure to provide adequate access to facilitate service if the transformer or connections require maintenance. For 2-pin connector models, multiple DCS Series 9 products may be connected to a single transformer by purchasing and installing a DCS approved power splitter.

Dial halos

When a dial is in use, an orange halo around that dial will illuminate. This will change from orange to white if the dial is turned to off but another dial remains active. If all dials are turned OFF, all halos will dim. Multiple DCS Series 9 products may be linked together to allow for cross-product halo illumination.

Linking 3-pin connector models

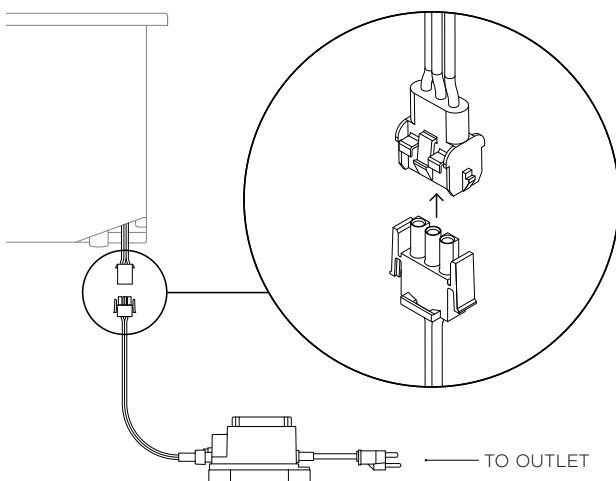
An approved DCS interconnectivity kit is required to enable this functionality.

Linking 2-pin connector models

An approved DCS retro-fit kit and the interconnectivity kit are required to enable this functionality.

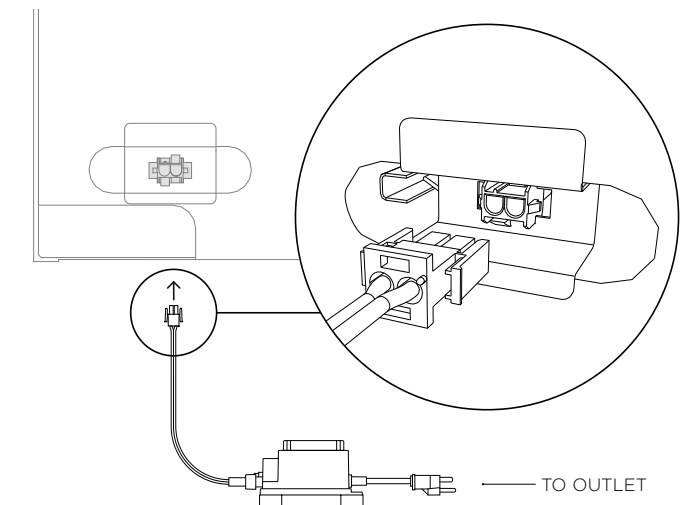
The DCS retro-fit kit, interconnectivity kit and power splitter can be purchased separately from your local DCS dealer. The retro-fit kit must be installed by a Fisher & Paykel trained and supported service technician.

3-pin connector models



3-PIN MODELS - PROFILE VIEW

2-pin connector models



2-PIN MODELS - REAR VIEW

If the ignition or dial halos fail to operate, a connection may have come loose during installation or the GFI may have tripped requiring a reset. Refer to the troubleshooting section further guidance.

INSTALLATION

Burner Adjustment

IMPORTANT!

Before lighting, inspect the gas supply piping or hose prior to turning the gas "on". If there is evidence of cuts, wear, or abrasion, it must be replaced prior to use.

Grill burner air adjustment

Each grill burner is tested and adjusted at the factory prior to shipment; however, variations in the local gas supply or a conversion from one gas to another may make it necessary to adjust the burners. The flames of the burners (except the rotisserie burner) should be visually checked and compared to that of the drawing in Fig.14. Flames should be blue and stable with no yellow tips (LP units may have some yellow tipping), excessive noise or lifting. If any of these conditions exist, check if the air shutter or burner ports are blocked by dirt, debris, spider webs, etc. If cleaning the burner ports and air shutter does not improve performance, you can alter the air shutter adjustment. The amount of air which enters a burner is governed by a metal cup at the inlet of the burner called an air shutter. It is locked in place by a screw which must be loosened prior to lighting the burner for adjustment.

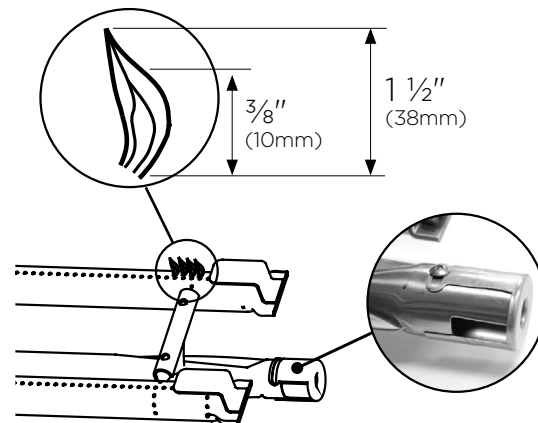


FIG. 14

Grill burner flame height

Before beginning, ensure the grill is OFF and cool. To access the grill burner air shutters, first remove the grates and radiants from the firebox, then remove the grill burner using instructions shown on page 41. With a screw driver, loosen the lock screw on the face of the air shutter slightly so that the air shutter can be adjusted.

To adjust

- ① Be careful as the burner may be very hot.
- ② If the flame is yellow, indicating insufficient air, turn the air shutter counter-clockwise to allow more air to the burner.
- ③ If the flame is noisy and tends to lift away from the burner, indicating too much air, turn the air shutter clockwise.

Note: reinstall the U-burner, ensuring the burner is level. Light the burner and check the flame. If the color of the flame is blue and the height is stable, remove the burner and tighten the air shutter screw. If the flames show instability or an inconsistent color, repeat the above procedure to readjust the air shutter.

Low flame setting adjustment

The valves on the grill feature an adjustable low setting. Due to fluctuations in gas pressure, heating value or gas conversion, you may feel it necessary to increase or decrease gas flow in the low position. We do not recommend adjusting the infrared rotisserie burner.

To adjust

- ① Light the burner.
- ② Turn the control knob to the lowest setting (counter-clockwise).
- ③ Remove the knob.
- ④ While holding the valve shaft with pliers, insert a thin, flat tipped screwdriver into the shaft and while viewing the burner adjust to a minimum stable flame.

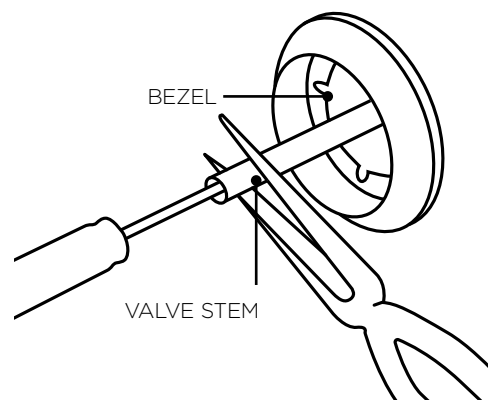
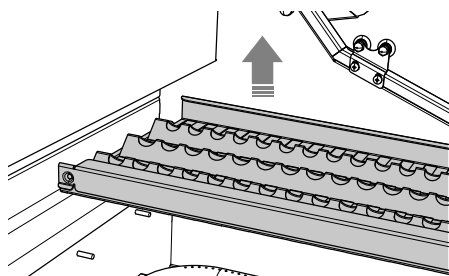


FIG. 15

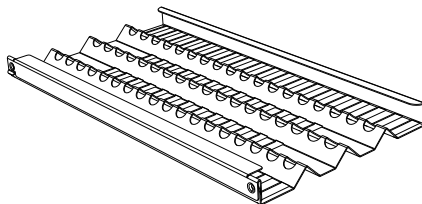
Radiant Assembly

IMPORTANT!

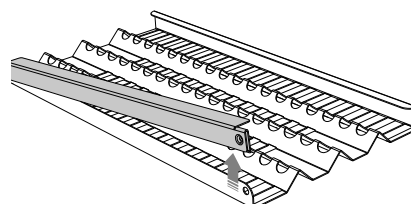
Before assembling the radiant, check that the radiant trays have not moved during transit. They should sit securely on their locating pins in the base of the grill.



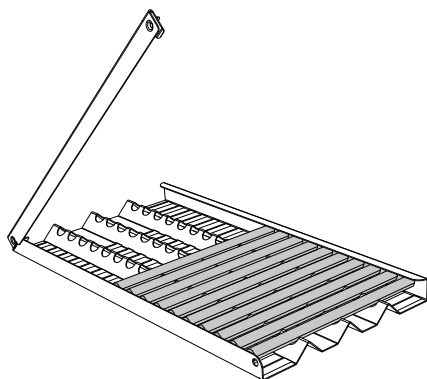
① Locate the radiant in the unit.



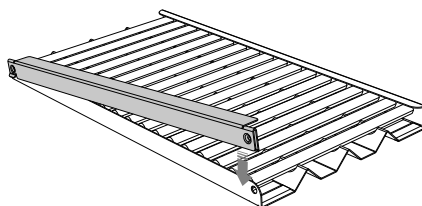
② Unpack ceramic rods and remove radiant from the unit.



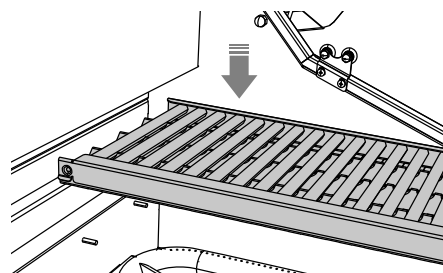
③ Unlock radiant end cap by pushing it up with two fingers.



④ Place the 18 ceramic rods onto the radiant.



⑤ Lock radiant end cap.



⑥ Place the assembled radiant into the unit.

If a ceramic rod breaks

- ① Unlock radiant end cap by pushing it up with two fingers.
- ② Replace broken ceramic rod.
- ③ Lock radiant end cap.

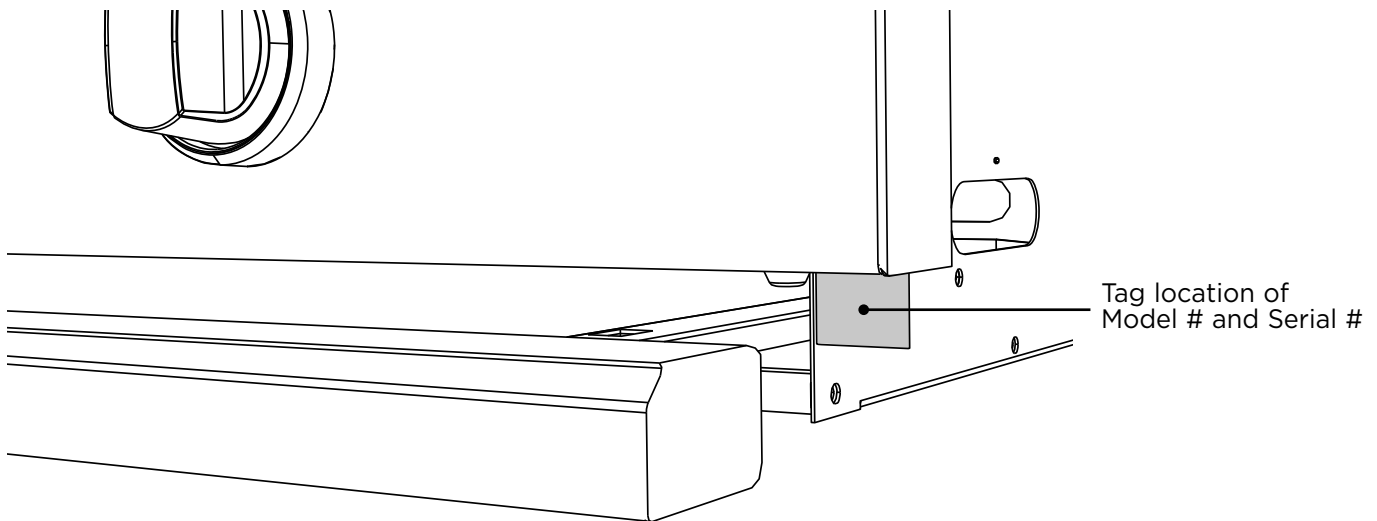
To order a replacement ceramic rod, please visit www.dcsappliances.com

INSTALLATION

✓ Installer Checklist

- | | | |
|--|--|---|
| <input type="checkbox"/> Specified clearances maintained to combustibles | <input type="checkbox"/> Air shutters adjusted | <input type="checkbox"/> Check match lighting |
| <input type="checkbox"/> Verified proper enclosure ventilation | <input type="checkbox"/> Low flame setting satisfactory | <input type="checkbox"/> Internal lighting is functioning correctly |
| <input type="checkbox"/> All internal packaging and any adhesive residue removed. To remove stubborn residue, use rubbing alcohol or a commercially available adhesive remover | <input type="checkbox"/> Drip pan in place properly and sliding freely | <input type="checkbox"/> Transformer is tidy and mounted securely, in a suitable location |
| <input type="checkbox"/> Removed shipping bracket | <input type="checkbox"/> Pressure regulator connected and set for 4.0" C.E. Natural, 11.0" C.E. LP gas | Please leave these instructions with the user. |
| <input type="checkbox"/> Knobs turn freely, bezels centered | <input type="checkbox"/> Manual shut-off valve installed and accessible | User, please retain these instructions for future reference. |
| <input type="checkbox"/> Halo lighting is functioning correctly | <input type="checkbox"/> Unit tested and free of leaks | |
| <input type="checkbox"/> Each burner lights satisfactorily - individually or with adjacent burner lit | <input type="checkbox"/> User informed of gas supply shut-off valve location | |
| | <input type="checkbox"/> All radiant trays are assembled and put in place | |

Contact DCS at www.dcsappliances.com if any of the listed items are missing. Please be prepared with your Model #, Serial # and description of item(s) that are missing.



IMPORTANT!

Read all installation instructions in this manual to see if the unit has been correctly installed. Ensure that installation has been completed correctly before use.

USING THE GRILL

Lighting Instructions

Grill lighting instructions

IMPORTANT!

Open the grill hood before lighting. Turn all knobs to "OFF". Turn the main gas supply on. If you smell gas, shut-off gas supply and call for customer care.

Pushing in on the burner knob will activate the Grill Igniter, and then turning the knob from the "OFF" position will allow the flow of gas to the burner.

The Grill Igniter will glow orange, but there will be no clicking sound during ignition. Push in and hold the selected burner knob for two seconds. Verify that the hot surface igniter is glowing. Turn the burner knob to "SEAR" position. Release the knob when the burner lights. If burner does not light in four to five seconds, turn knob "OFF" and wait five minutes before trying again so any accumulated gas may dissipate.

IMPORTANT!

Only light one burner at a time.

Grill match lighting

If the burner will not light after several attempts, then the burner can be match lit. If you have attempted to light the burner with the ignition, allow five minutes for any accumulated gas to dissipate. Keep your face as far away from the outdoor appliance as possible and hold a paper book match over the hole located on the top left for burner on the left, or the right hole for the right burner (Fig. 16). Push and turn the control knob which is centered on the burner where the lit match is located, to "SEAR". If the burner does not light in four to five seconds, turn knob off, wait five minutes and try again.

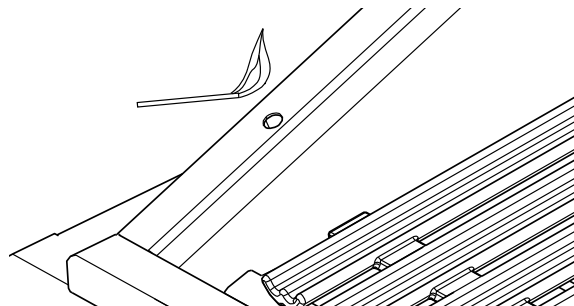


FIG. 16

Improper lighting procedures can cause the LP tank flow control to activate resulting in reduced heat output. If this is suspected the flow control will need to be reset.

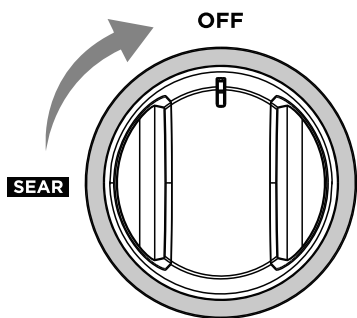
See the Quick Start Guide for how to use the griddle and Infrared Hybrid Burner.

Refer to the Troubleshooting section of the user guide if you encounter any difficulties lighting your grill.

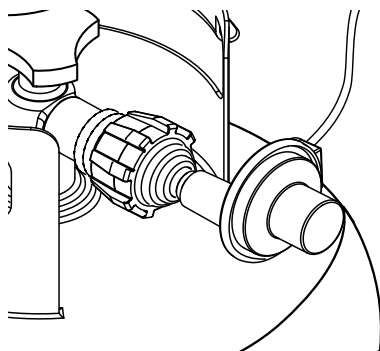
Resetting the flow control

IMPORTANT!

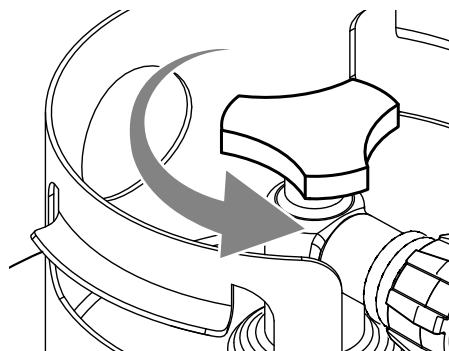
Failure to follow the steps in the order shown may cause the Flow Limiting Device to activate resulting in extremely low gas flow and irregular operation



① All knobs must be in the OFF position.



② Attach regulator hose assembly to the tank.



③ Open the LP tank valve. (Two full turns min).

Grilling

Grill

Each grill section consists of a large stainless steel burner, stainless steel heat baffles, a series of ceramic rods encased in a stainless steel radiant, and a stainless steel heat retaining grate. Each burner is rated at 25,000 Btu/hr or 26,5MJ/h. Below the burners there is a stainless steel heat baffle which reflects usable heat upward into the cooking area and reduces temperatures of the drip pan below. Above the burners are stainless steel radiants which encase the ceramic rods and protect the grill burner ports from blockage (Fig. 17).

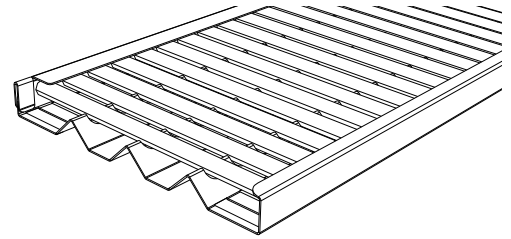


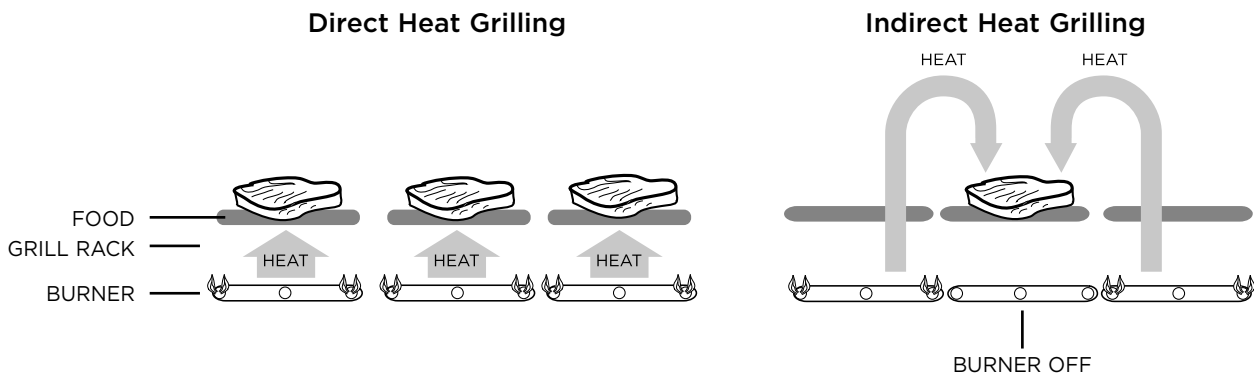
FIG. 17

The grill is supplied with radiant ceramic rods. Because of the porosity of ceramic rods, performance is superior in the rods' ability to capture heat as it rises from the grill burners. They also possess the thermal mass needed for even cooking performance. Flare ups are controlled because the radiant ceramic rods keeps grease from getting to the flames and igniting. The intense heat produced by this system produces true grilled flavor as fats and juices are brought to the surface of the food and caramelized. Discoloration of the grates is normal after use.

Direct/indirect cooking notes

Direct cooking involves placing food on grates over lighted burners. Use this method for foods that take less than 20 minutes to cook or to sear larger items at the start of the cooking process that will then be indirectly cooked to finish. Place items on the preheated surface and leave until they no longer stick. Never spray water on the grill or into grease. The patented Grease Management System™ reduces flare-ups by channeling grease away from the flame. Use a meat thermometer to achieve desired doneness and remove items one degree below how you would like to enjoy them, as the resting period before carving or consuming will raise the temperature.

Indirect cooking method is a popular alternative to direct heat grilling. Indirect cooking uses heat from an adjacent heat source to cook food and, in many cases, reduces the possibility of overcooked or overly browned food. Foods most appropriate for indirect grilling included breads, thicker pieces of chicken or steaks. Indirect cooking involves placing the food to the side of or above the heat source instead of directly over the flame and then closing the grill top to create an oven effect. All the items you usually oven-roast can be grilled to perfection using indirect heating. Preheat the burners surrounding the food to be cooked. Use your secondary cooking tray to hold food and add water or chicken broth to the tray to prevent the natural juices from burning or evaporating.



IMPORTANT!

- **Season your grates before first use and then periodically to protect the grate surface from corrosion, and to stop food sticking. See 'Care and Maintenance'. To season the grates, pour a tablespoon of vegetable oil on a soft cloth and rub on both sides of the grates. Only a light coating is needed and some smoke may be visible during the preheating.**
- **Grilling requires high heat for searing and proper browning. Most foods are cooked at the "MEDIUM" to "LOW" heat setting for the entire cooking time. However, when grilling large pieces of meat or poultry, it may be necessary to turn the heat to a lower setting after the initial browning. This cooks the food through without burning the outside. Foods cooked for a long time or basted with a sugary marinade may need a lower heat setting near the end of the cooking time.**

USING THE GRILL

Grilling

Secondary cooking

Two racks and one tray have been provided for secondary cooking. These can be utilized for warming, smoking, roasting or slow-cooking food. Before using the secondary cooking surfaces with the grill hood down, ensure that the height and width of food or cooking pans is not excessive. When closing the hood there is a chance that food or cooking pans may be dislodged if these items are too big. 20lbs is the maximum weight of food that should be placed in the secondary cooking area.

The secondary cooking racks and tray can be placed in four possible positions. When inserting the racks and trays above the grill, they will click into place.

Note: all trays and racks are dishwasher safe.

IMPORTANT!

Do not use the rotisserie burner when the secondary cooking racks or trays are in place. Before using the rotisserie burner, ensure that these racks and trays are removed.

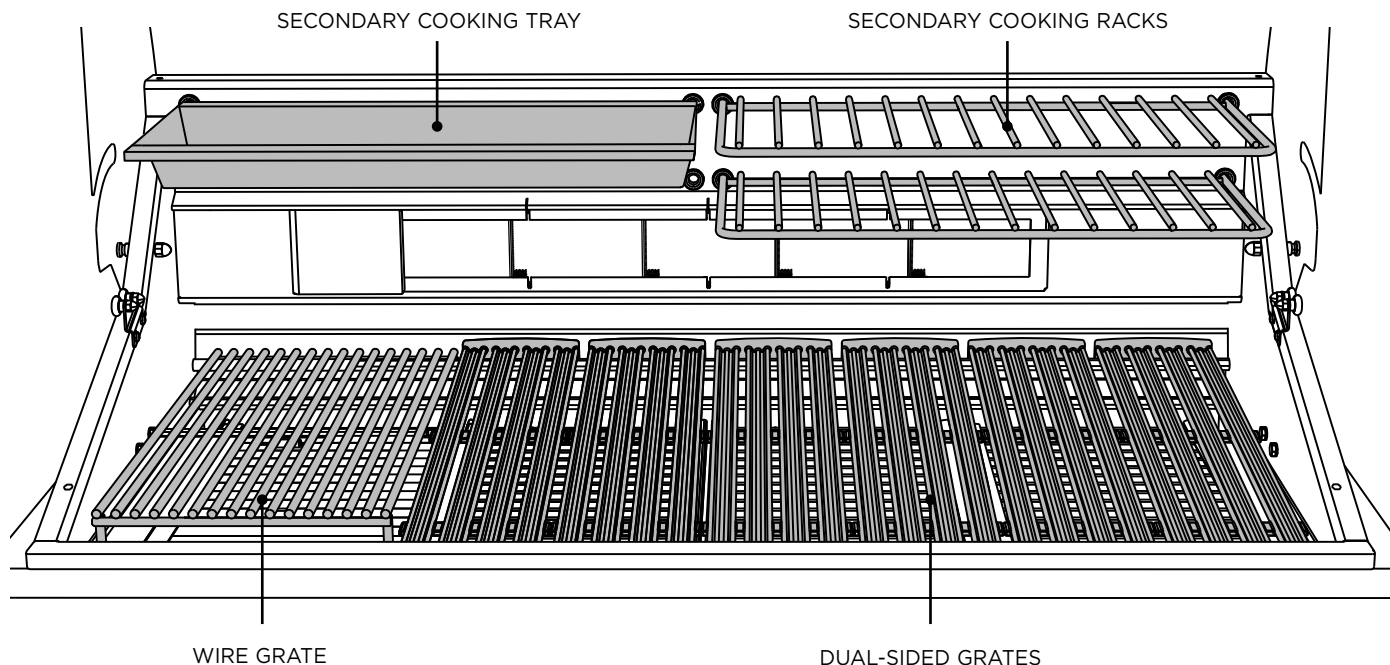


FIG. 18

Internal lighting

To add to the convenience of your grilling experience, the grill has internal lighting set inside the grill hood. This helps to help illuminate the cooking surface in low light. To turn on the lighting, push the LIGHT button on the left-hand side on the control panel. To turn it off, press the button again. For guidance on how to replace the light bulbs, please see the care and maintenance section. Replacement light bulbs are not covered by warranty.

Halo lighting

As an added feature, the grill is fitted with halo lighting. When the grill is switched on, the halo will turn white (Fig. 19), when a knob is turned away from the 'OFF' position, the halo will turn orange (Fig. 20).

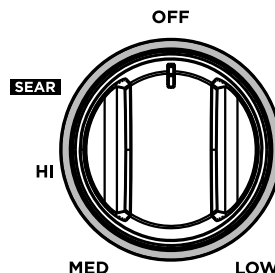


FIG. 19 White Halo

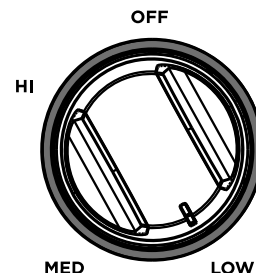


FIG. 20 Orange Halo

Grilling

- ① Ensure that the drip pan and grease tray are in place.
- ② Light the grill burners following the lighting instructions.
- ③ Once you have verified the burners are lit, put the hood down to preheat for five to 10 minutes.
- ④ Place the food on the grill and cook to the desired doneness. Adjust heat setting, if necessary. The control knob may be set to any position between “SEAR” and “LOW”
- ⑤ When you have finished using the grill, turn the control knobs to “OFF” and shut off the main gas supply.
- ⑥ Allow the grill to cool and clean the grates, drip pan and grease tray after each use.

Note: if using LP gas, your preheat time may be shorter than recommended. To prevent overcooking or burning, you may want to lower the heat settings.

Using the temperature gauge

When preheating the grill, use the temperature gauge in the hood to check if the grill has reached the desired heat setting.

Note: the temperature gauge only indicates air temperature inside the grill. For food safety and optimal cooking performance, use a meat probe to check the temperature of meat while cooking and to ensure desired internal temperatures are reached.



Wire grate

Designed to be used in conjunction with the charcoal insert, the wire grate fits on top of the insert to provide the perfect surface for smoking your food. Smoke meat straight on the grate for an intense flavour or use the grate to hold a tray of water under the meat to help even out the temperature and keep the meat moist. If you do not wish to use the charcoal insert, the wire grate is still excellent for normal grilling.

Note: the grate can only be used in a flat position (see page 32).

Dual-sided grates

Whether you or your guests crave seafood, steak or veggies, the double-sided grates provide varying surfaces for varying textures. The “W”-shaped side creates nice sear lines for steaks, chicken and chops and routes oil and grease away from the food. The opposite “radius” side offers more surface area for support and handling of delicate items like scallops. (See below for a sample list of which foods to cook on which side of the grate.)

"W" SHAPED GRATE		RADIUS GRATE	
• Chicken (bone-in and boneless cuts)		• Delicate fish fillets	
• Steaks		• Lobster meat	
• Chops		• Shrimp	
• Burgers		• Scallops	
• Ribs		• Clams	
• Kabobs		• Mussels	
• Steak cuts of fish like tuna and swordfish		• Suckling pig	
• Whole fish		• Turkey legs	
• Game		• Indirect cooking and smoking	
• Oysters		• Potatoes	
• Large slices of whole vegetables		• Smaller vegetables or slices	
• Fruit		• Roasted peppers	
• Bread		• Roasted whole garlic	
• Sausages		• Pizza dough and flat breads	
• Hot dogs		• Crab cakes	

USING THE GRILL

Grilling hints

The doneness of meat, whether rare, medium or well done, can depend on the thickness of the cut. The cooking time of meat is dependent on the kind of meat, size, shape and cut along with the temperature of the meat when cooking begins. Expert chefs say it is impossible to have a rare doneness with a thin cut of meat. When defrosting meats, it is recommended to defrost overnight in a refrigerator as opposed to a microwave. This will ensure meat retains its juices. Use a spatula instead of tongs or a fork to turn the meat, as a spatula will not puncture the meat and let the juices run out. To get the juiciest meats, add seasoning or salt after the cooking is finished and turn the meat only once (juices are lost when the meat is turned several times). Turn the meat just after the juices begin to bubble to the surface. Trim any excess fat from the meat before cooking. To prevent steaks or chops from curling during cooking, slit the fat around the edges at two-inch intervals.

The cuts, temperatures, weights and grilling times in the following charts are meant to serve as a guideline. Environmental factors such as wind, outside temperature and altitude can affect cooking times, so should be taken into consideration. The USDA's definition of medium doneness is used for the cooking times of beef and lamb, unless otherwise stated. Before carving, let roasts and other large cuts of meat (including thick steaks) rest for 5 to 10 minutes after cooking. The internal temperature will increase slightly during this time.

For indirect cooking, we suggest placing the meat in the secondary cooking area in the lower or upper position depending on size and desired temperature.

Cooking Chart - Main Grill and Charcoal Insert

BEEF:

FOOD TYPE		THICKNESS	WEIGHT	METHOD	TEMP CONTROL DIAL	APPROX TIME (HRS/MINS)
Steak	New York Strip	1" Thick		Direct	High Heat	6-8 min
	Porterhouse	1" Thick		Direct	High Heat	6-8 min
	Rib-Eye	1" Thick		Direct	High Heat	6-8 min
	T-Bone	1" Thick		Direct	High Heat	6-8 min
Ground Beef Patty			5 oz	Direct	Medium Heat	8-10 min
Fajitas		3/4" Thick	3 lb	Direct	Medium Heat	20 min
Finger Rib			2 lb	Direct/Indirect	Medium Heat	1-2 hours
Brisket			3-5 lb	Direct/Indirect	Low Heat	2-3 hours

LAMB:

FOOD TYPE		THICKNESS	WEIGHT	METHOD	TEMP CONTROL DIAL	APPROX TIME (HRS/MINS)
Chop		1" Thick		Direct	High Heat	6-8 min
Leg of Lamb Roast			3-7 lb	Direct/Indirect	Low	2-3 hours
Rack of Lamb			1-2 lb	Direct/Indirect	Medium Heat	15-20 min

PORK:

FOOD TYPE		THICKNESS	WEIGHT	METHOD	TEMP CONTROL DIAL	APPROX TIME (HRS/MINS)
Hot Dog			2-4 oz	Direct/Indirect	Medium Heat	5 min
Bratwurst			4 oz Link	Direct/Indirect	Medium Heat	10-15 min
Ribs: Baby Back			3-5 lb	Direct/Indirect	Low Heat	3-4 hours
Spare Ribs			3-5 lb	Direct/Indirect	Low Heat	4-6 hours
Boston Butt/Shoulder			3-7 lb	Direct/Indirect	Low Heat	4-6 hours

Grilling

Cooking Chart - Main Grill and Charcoal Insert

POULTRY:

FOOD TYPE		THICKNESS	WEIGHT	METHOD	TEMP CONTROL DIAL	APPROX TIME (HRS/MINS)
Chicken Breast	Boneless		6 -7 oz	Direct/Indirect	Medium Heat	10-12 min
Chicken Thigh	Boneless		3-5 oz	Direct/Indirect	Medium Heat	10-12 min
Chicken Whole			3-5 lb	Indirect/Rotisserie	Medium Heat	1-2 hours
Duck Whole			3-5 lb	Indirect/Rotisserie	Medium Heat	1-2 hours
Turkey Whole			10-12 lb	Indirect/Rotisserie	Medium Heat	2-3 hours

SEAFOOD:

FOOD TYPE		THICKNESS	WEIGHT	METHOD	TEMP CONTROL DIAL	APPROX TIME (HRS/MINS)
Fish Fillet/Steak:	Halibut	½ -1" Thick		Direct	Medium-High Heat	6-10 min
	Snapper	½ -1" Thick		Direct	Medium-High Heat	6-10 min
	Salmon	½ -1" Thick		Direct	Medium-High Heat	6-10 min
	Sea Bass	½ -1" Thick		Direct	Medium-High Heat	6-10 min
	Swordfish	½ -1" Thick		Direct	Medium-High Heat	6-10 min
	Tuna	½ -1" Thick		Direct	Medium-High Heat	6-10 min
	Trout	½ -1" Thick		Direct	Medium-High Heat	6-10 min
Shrimp			2-4 oz	Direct	Medium-High Heat	4-5 min
Fish Whole			3-5 lb	Indirect	Low-Medium Heat	20-30 min

VEGETABLES:

FOOD TYPE		THICKNESS	WEIGHT	METHOD	TEMP CONTROL DIAL	APPROX TIME (HRS/MINS)
Aubergine		1" Thick Slices		Direct	Low-Medium Heat	4-6 min
Asparagus		½" Stem Diameter		Direct	Low-Medium Heat	4-6 min
Corn on the Cob		Whole		Direct/Indirect	Low-Medium Heat	20-25 min
Mushroom - Portobello		Whole		Direct	Low-Medium Heat	8-10 min
Onion		½" Thick Slices		Direct	Low-Medium Heat	10-12 min
Peppers		Halved		Direct	Low-Medium Heat	8-10 min
Potato		½" Thick Slices		Direct	Low-Medium Heat	10-15 min
Tomato		Halved		Direct	Low-Medium Heat	4-6 min
Zucchini		1" Thick Slices		Direct	Low-Medium Heat	4-6 min
Sweet Potato		1" Thick Slices		Direct	Low-Medium Heat	10-12 min

FRUIT:

FOOD TYPE		THICKNESS	WEIGHT	METHOD	TEMP CONTROL DIAL	APPROX TIME (HRS/MINS)
Bananas		Halved		Direct	Low-Medium Heat	5-6 min
Peaches		Halved		Direct	Low-Medium Heat	6-8 min
Apricots		Halved		Direct	Low-Medium Heat	6-8 min
Nectarines		Halved		Direct	Low-Medium Heat	6-8 min
Pineapple		½" Thick Slices		Direct	Low-Medium Heat	5-6 min

* Slow cooking of some meat cuts may require surfaces to be seared over direct high heat prior to indirect cooking.

USING THE GRILL

Grilling

Cooking Chart - Smoking

BEEF:

FOOD TYPE	THICKNESS	WEIGHT	METHOD	TEMP CONTROL DIAL	APPROX TIME (HRS/MINS)
Brisket		4-6 lb	Indirect	Low Heat	6-8 hours

LAMB:

FOOD TYPE	THICKNESS	WEIGHT	METHOD	TEMP CONTROL DIAL	APPROX TIME (HRS/MINS)
Leg of Lamb Roast		3-7 lb	Direct/Indirect	Low Heat	2-3 hours

PORK:

FOOD TYPE	THICKNESS	WEIGHT	METHOD	TEMP CONTROL DIAL	APPROX TIME (HRS/MINS)
Ribs: Baby Back		3-5 lb	Indirect	Low Heat	4-5 hours
Spare Ribs		3-5 lb	Indirect	Low Heat	5-6 hours
Boston Butt/Shoulder		3-7 lb	Indirect	Low Heat	6-8 hours

POULTRY:

FOOD TYPE	THICKNESS	WEIGHT	METHOD	TEMP CONTROL DIAL	APPROX TIME (HRS/MINS)
Chicken Whole		3-5 lb	Indirect	Low Heat	2-4 hours
Duck Whole		3-5 lb	Indirect	Low Heat	2-4 hours
Turkey Whole		10-12 lb	Indirect	Low Heat	8-10 hours

SEAFOOD:

FOOD TYPE	THICKNESS	WEIGHT	METHOD	TEMP CONTROL DIAL	APPROX TIME (HRS/MINS)
Fish Fillet/Steak:	Salmon	½ -1" Thick	Indirect	Low Heat	1 hour
	Swordfish	½ -1" Thick	Indirect	Low Heat	1 hour
	Tuna	½ -1" Thick	Indirect	Low Heat	1 hour
	Trout	½ -1" Thick	Indirect	Low Heat	1 hour
	Mackerel	½ -1" Thick	Indirect	Low Heat	1 hour
Shrimp		2-4 oz	Indirect	Low Heat	1 hour
Fish Whole		3-5 lb	Indirect	Low Heat	3-4 hours

VEGETABLES:

FOOD TYPE	THICKNESS	WEIGHT	METHOD	TEMP CONTROL DIAL	APPROX TIME (HRS/MINS)
Aubergine	1" Thick Slices		Indirect	Low Heat	1 hour
Corn on the Cob	Whole		Indirect	Low Heat	1 ½ hours
Mushroom - Portobello	Whole		Indirect	Low Heat	1 ½ hours
Onion	Whole/halved		Indirect	Low Heat	2 hours
Peppers	Whole/halved		Indirect	Low Heat	1 ½ hours
Potato	Whole/halved		Indirect	Low Heat	2 hours
Tomato	Whole/halved		Indirect	Low Heat	45 minutes
Zucchini	Halved lengthwise		Indirect	Low Heat	1 hour
Sweet Potato	Whole/halved		Indirect	Low Heat	2 hours

Grilling

Meat Temperatures

The “Remove” temperature on the left is the target temperature to remove from heat source. The “Ideal” temperature on the right is the ideal internal temperature after resting. These temperatures are all Fahrenheit. Note, these are not USDA Recommendations. The USDA temperatures are conservatively 10° - 15° higher because of food safety however most professional chefs will not cook a medium-rare steak to 150°F.

FOOD TYPE	RARE		MEDIUM-RARE		MEDIUM		MEDIUM-WELL	
	REMOVE	IDEAL	REMOVE	IDEAL	REMOVE	IDEAL	REMOVE	IDEAL
Beef Steaks	125°	130°	130°	135°	140°	145°	155°	160°
Beef Roasts	120°	125°	125°	130°	135°	145°	150°	160°
Lamb Chops	125°	130°	130°	135°	135°	145°	155°	160°
Lamb Roast	120°	130°	125°	130°	135°	145°	150°	160°
Pork Chops			125°	130°	135°	140°	145°	150°
Pork Roasts			125°	130°	135°	140°	145°	150°
Veal Chops			130°	135°	140°	145°	155°	160°
Veal Roasts			125°	130°	135°	145°	150°	160°

FOOD TYPE	RESTING TIME	REMOVE	IDEAL INTERNAL TEMPERATURE
Whole Chicken - Roasted	5 minutes	160° - 165°	165° - 170°
Whole Turkey - Roasted*	20-60 minutes	150° - 170°	165° - 170°

* A large Turkey can take 60 minutes of resting with a temperature shift of 20° or more

USING THE GRILL

Grate positions

As well as moving the grates to be positioned to your preference along the grill, the dual-sided grates can also be placed flat or in an angled position. If the grates are hot, please use the multi-tool to move the grates or re-position them. Placing the grates in an angled position (Fig. 21), allows fat and grease to run off food and into the grease management system. It also allows for a slightly slower cooking, than if the grate was placed flat (Fig. 22). If you are using a griddle plate please ensure that the plate is flat or tilted at an upward angle, and not tilted down. Wire grates can only be used in the flat position as shown in Fig. 23.

Dual-sided grates

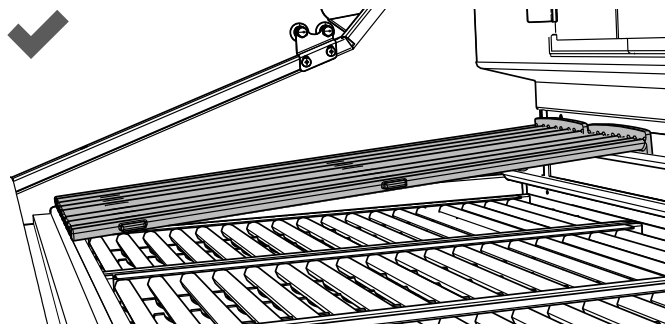


FIG. 21

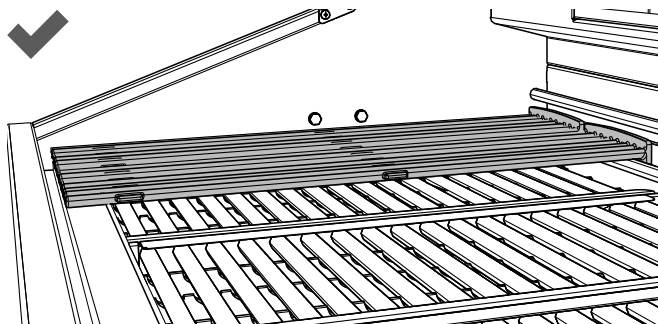


FIG. 22

Wire grates

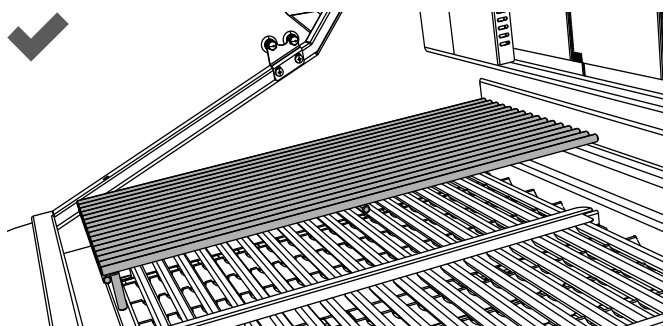


FIG. 23

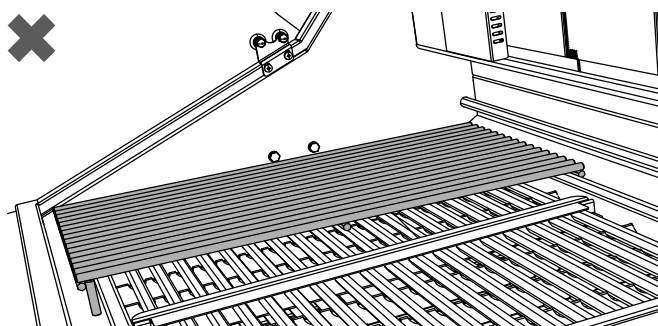


FIG. 24

Using the multi-tool:

The multi-tool is an accessory that comes included with the grill. This can be used to lift and move grates, lift the charcoal burner lid and adjust the charcoal burner venting filters. It can be used to scrape grease and fat residues into the hole which filters grease down into the drip pan.

To adjust grates using the multi-tool

- ① Grip the multi-tool handle, with the flat-edged end at the top.
- ② Rotate the multi-tool 90 degrees and insert the flat-edge end into the center grate slot, making sure the end is below the middle horizontal bar of the grate. Note: there is greater balance and control of the grate when the multi-tool is centered.
- ③ Rotate the multi-tool back 90 degrees. The notches in the flat-edged end will lock the grate into place.
- ④ Carefully lift the grate out of the grill or into your desired position.
- ⑤ Rotate the multi-tool again to remove it from the grate.

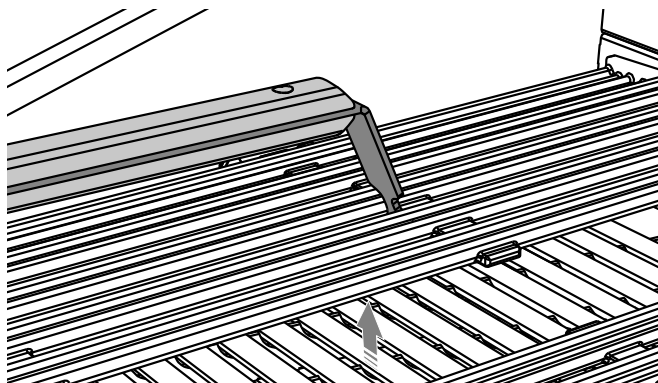


FIG. 25

IMPORTANT!

Take care when using the multi-tool to move the grates. The hot and heavy grates can cause injury.

Charcoal insert

IMPORTANT!

Do not use lighter-fluid in the charcoal insert or on the grill. The solid fuel will ignite from the burners, it does not need to be lit by a match or butane lighter.

- ① Place charcoal, woodchips or briquettes into the insert. Be careful not to overload with solid fuel (one layer of briquettes is recommended).
- ② Remove the grates and ceramic rods. Place the charcoal insert on top of the burner. The insert will clip onto barbs in the frame of the grill.
- ③ Light the grill burners following the lighting instructions on page 24. Turn the control knob to "SEAR".
- ④ Wait eight to 10 minutes, allow smoke to get to your desired preference. The solid fuel should begin to grey around the edges.
- ⑤ Shut off the burner, the solid fuel will continue to burn and smoke.
- ⑥ When you have finished using the grill, turn the control knobs to "OFF".
- ⑦ Allow the grill to cool and clean the grates, drip pan and grease tray after each use. The multi-tool can be used to scrape out the bottom of the insert. See Care and Maintenance on page 43 for more instructions on cleaning the charcoal insert.

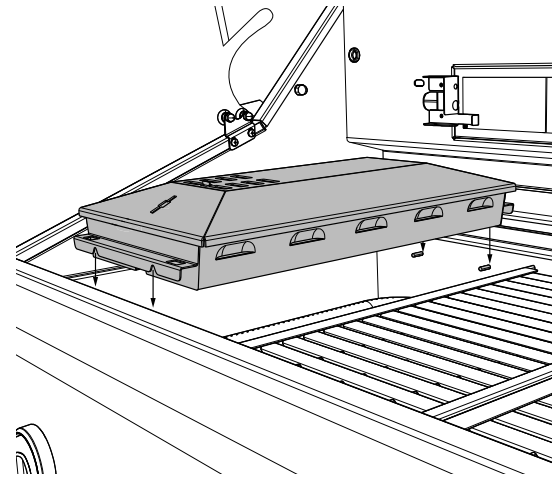


FIG. 26

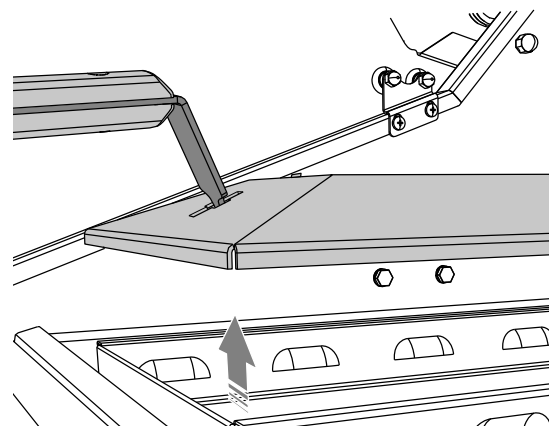


FIG. 27

Adjusting the charcoal insert

The heat and burn rate of the charcoal insert can be controlled by adjusting insert to reduce the level of oxygen supplied to the fire and slow the cooking rate. Removing the lid provides an excellent cooking surface for direct grilling. Note: the wire grate must be used in conjunction with the charcoal insert for direct grilling. There is also a venting adjustment on the top of the insert lid, it is recommended that the vents are modified prior to cooking. If the lid or vents have to be adjusted during cooking, please use the multi-tool as the charcoal burner insert will be hot.

Using wood and charcoal

- Wood should be soaked briefly in water beforehand
- Larger wood chunks burn slower than smaller chips, giving a longer smoking time
- Different wood types (and charcoal types) impart different flavours to the food
- Charcoal and wood can be added periodically to the tray as required to extend the cooking time

IMPORTANT!

When using multiple grill accessories (e.g. charcoal insert, griddle plate etc), at least one of the two center burners should remain accessory-free.

IMPORTANT!

When connecting your rotisserie motor, first connect the motor to the grill and then plug the grill into the outlet.

General

The grill rotisserie system is designed to cook items from the back using infrared heat. The location of the burner allows the placement of the secondary cooking tray beneath the food to collect juices and drippings for basting and gravy. To flavor the contents of the cooking tray, you can add herbs, onion, garlic, or spices. Hams are especially good with the addition of pineapple slices and brown sugar to the cooking tray. The rotisserie burner is an infrared type which provides intense searing radiant heat. Preferred by chefs over other methods, this intense heat is magnificent for searing in the meat's natural juices and nutrient.

The orange/red glow will even out in about five minutes. The rotisserie motor is equipped with metal gears and is capable of turning a cut of meat or poultry that weighs up to 50 lb. The rotisserie motor on the grills is secured down to a cast rotisserie block with two black screw-down knobs. The rotisserie block is in turn bolted to the side panel. The rotisserie rod is assembled into the motor assembly by placing the pointed end into the motor, and resting the handle end on the support at the left side of the grill. With the rod pushed as far as possible into the motor, the round end of the rod should rest on the rollers.

The motor is equipped with a halogen bulb to provide light when other sources of light are not sufficient. Use only a 50W (or its equivalent) Max. Halogen Narrow Flood replacement bulb.

IMPORTANT!

Halogen lamps are constructed of a glass bulb with a pressurized internal filament tube that operates at high temperatures and could unexpectedly shatter. Should the outer bulb break, particles of extremely hot glass could be discharged into the fixture enclosure and/or surrounding environment, thereby creating a risk of personal injury or fire. When replacing the bulb, let the bulb cool, and assure that power to the light has been turned off. Never allow the hot bulb to come into contact with water. DO NOT TOUCH the light bulb when in use. It may be hot enough to cause injury.

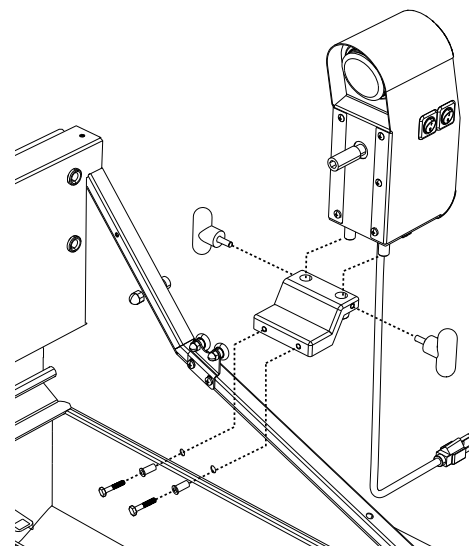


FIG. 28

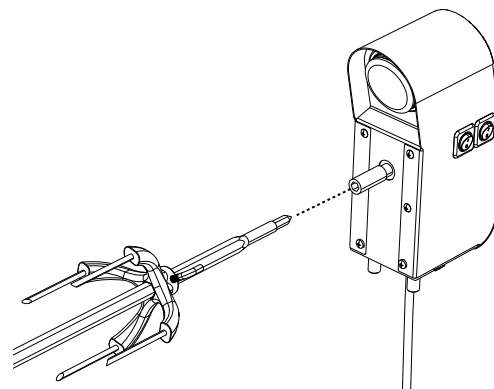


FIG. 29

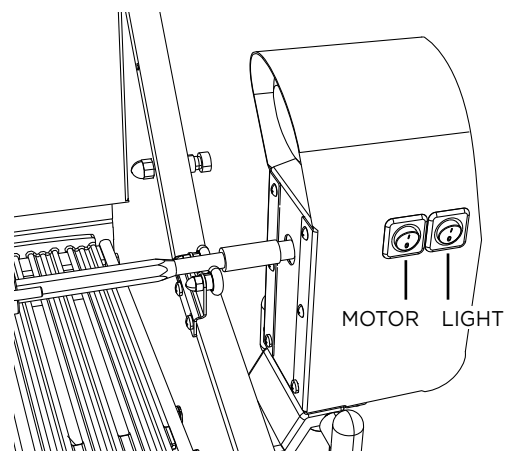


FIG. 30

IMPORTANT!

Do not use the rotisserie burner when the secondary cooking racks or trays are in place. Before using the rotisserie burner, ensure that these racks and trays are removed.

Preparation

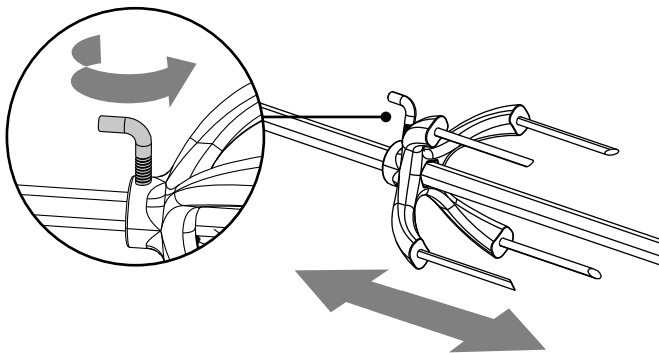
Recommended: dental floss or butcher string, scissors, secondary cooking tray, pliers, meat probe, foil, and hot pads.

Working area

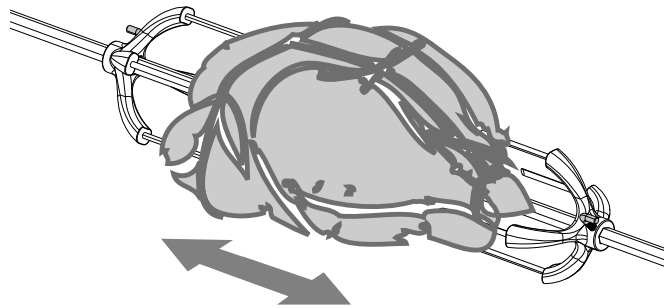
Allow enough space to accommodate food and rotisserie rod assembly in a clean environment.

Meat preparation

Tie meat with butcher string or dental floss in three areas. Purchase a roast that is equally balanced from top to bottom in size to ensure meat will cook evenly while on the Rotisserie. For Poultry, tie wings and legs to the body using dental floss or butcher string to prevent flopping around while turning.



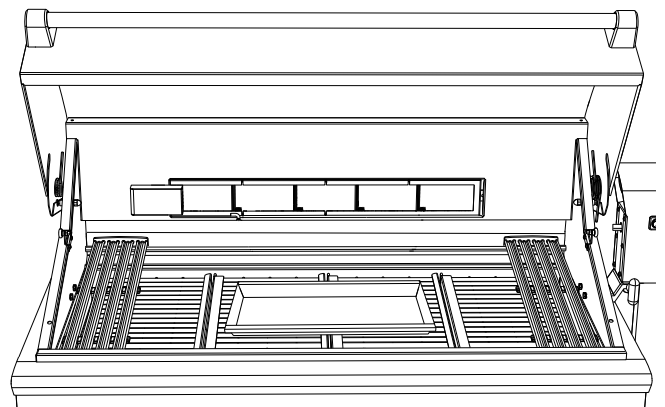
- ① Determine the center placement for the food, put first prong on the rod, turn 'L'- shaped screw to tighten.



- ② Center tied meat/poultry on the rod, place second prong, turn 'L'- shaped screw to tighten.



- ③ Pick up the rod, rotate it to check for balance. If unbalanced, adjust prongs and food. Take pliers and tighten the 'L'- shaped screws on both prongs.



- ④ Remove secondary cooking racks. To catch meat drippings, place secondary cooking tray onto grates or ceramic radiant rods depending on your preference. Note: grates must first be removed if placing tray on ceramic radiant rods.

USING THE ROTISSERIE

To light the rotisserie burner before cooking

The location of the rotisserie burner makes it more susceptible to strong wind conditions, more so than the protected grill burners. For this reason you should avoid operating the rotisserie during windy conditions. As an added safety feature we've equipped the burner with an automatic safety valve which will not allow gas to flow to the rotisserie burner unless the following conditions are present with the knob on:

- ① The safety valve button is pressed, and held down.
- ② The safety valve thermocouple has been sufficiently heated to keep safety valve open.
Note: the Grill Igniter will glow orange, but there will be no clicking sound during ignition.

Push in and hold the selected burner knob for two seconds. Verify that the hot surface igniter is glowing. Turn the burner knob to "HI" position. Then press and hold the safety valve button in for 10 seconds or until the burner remains lit. Once lit, turn control knob to desired setting. If burner does not light, turn knob "OFF" and wait five minutes before trying again so any accumulated gas may dissipate.

- If relighting a hot burner, wait five minutes.
- Never leave the control knob on if rotisserie is not in use.
- Never light the grill burners under the rotisserie while the rear rotisserie burner is lit.

Manual lighting

To manually light the rotisserie, place a butane lighter near the tip of the thermocouple. Push in and turn the control knob to "HI". Hold the safety valve button in for 10 seconds or until the burner remains lit. Once lit, turn control knob to desired setting. If the burner does not light, release the safety valve button and turn the control knob to "OFF" and wait 5 minutes before trying again.

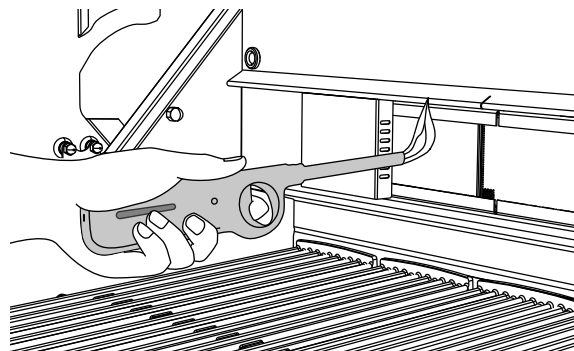


FIG. 31

IMPORTANT!

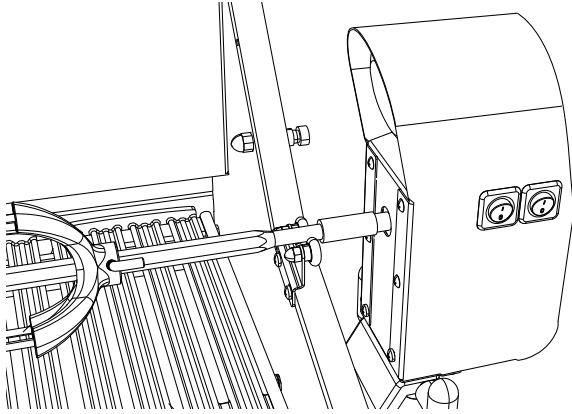
Keep hands and face away from front of burner! Stand to the side when lighting. Once lit move hand away quickly.

IMPORTANT!

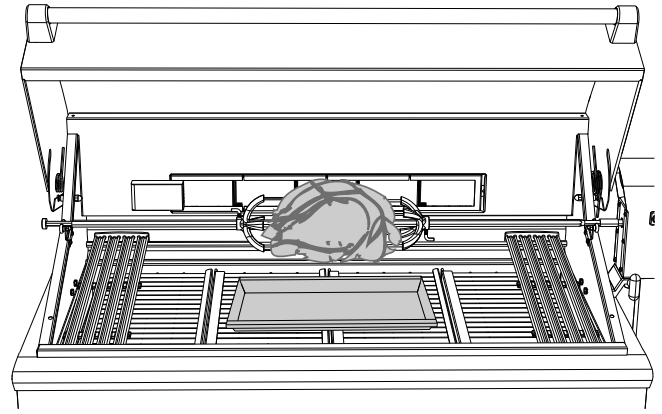
Electrical Grounding Instructions: this appliance (rotisserie motor) is equipped with a three-prong (grounding) plug for your protection against shock hazard and should be plugged directly into a properly grounded three-prong receptacle or a three-prong grounded extension cord rated for the power of the rotisserie motor and approved for outdoor use with a W-A marking. Do not cut or remove the grounding prong from this plug. Use only a ground fault interrupter (GFI) protected circuit.

The rotisserie motor must be electrically grounded in accordance with local codes or, in the absence of local codes, with the National Electrical Code, ANSI/NFPA 70. Keep the rotisserie motor electric cord away from the heated surfaces of the grill. When not in use, remove and store the motor in a dry location. To protect against electric shock, do not immerse the cord or plug in water or other liquid. Unplug rotisserie unit from the outlet when not in use and before cleaning. Allow the rotisserie to cool before putting on or taking off parts.

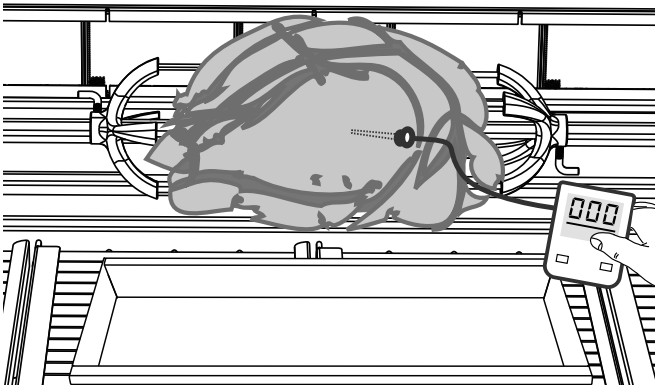
Grilling



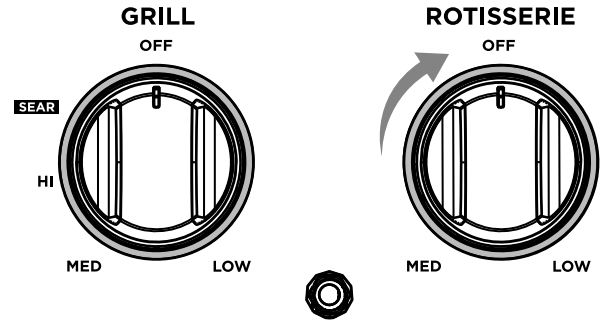
- ① Place prepared rod into motor, lay across and into the rollers on other side.



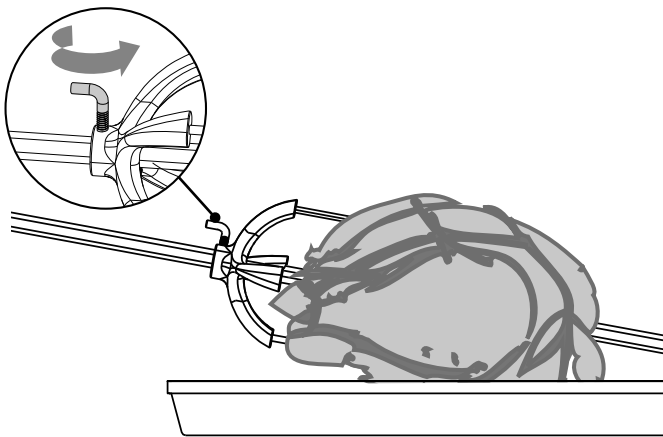
- ② Once placement has been verified, ignite burner and start rotisserie motor. Turn the control knob to the desired setting.



- ③ To check temperature of the meat, turn off motor and turn temperature to low while using a meat probe.



- ④ Once finished, turn the motor and rotisserie knob to "OFF". If you have finished using the appliance altogether, turn the main gas supply off too.



- ⑤ Remove the rod and place meat or poultry on pan then remove prongs. Take care as the rod will be hot.

IMPORTANT!

The prongs are very sharp. Keep hands away from tips when removing the food.

Note: cover with foil for a 15 to 20 minute waiting time. Meat will carve better and juices will go back into the meat.

USING THE ROTISSERIE

Rotisserie rod storage

The rotisserie rod can be stored in the tray located under the grill head. When storing the rotisserie rods, please use two hands to store it correctly and ensure it is locked into place. Please use two hands to remove the rod from its storage compartment, taking care to ensure it does not drop.

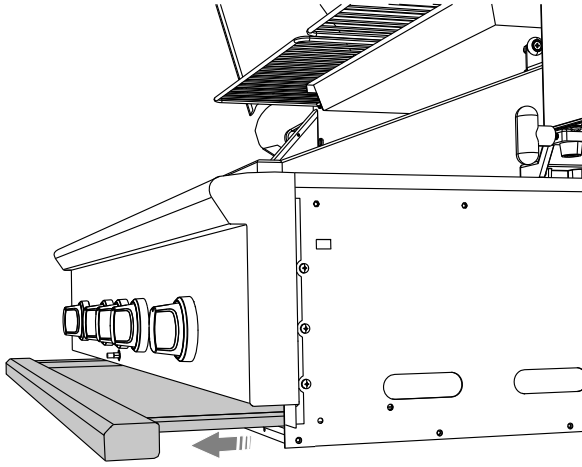


FIG. 32

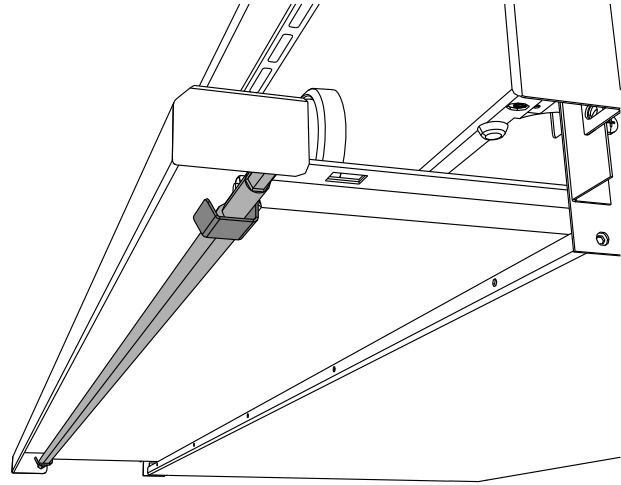


FIG. 33

Using the rod storage unit

- ① Slide out the drip tray that sits underneath the control panel.
- ② Locate hooks under front lip of the drip tray.
- ③ Place rotisserie rod onto hooks.
- ④ Slide the drip tray back into place.

The following accessories can be purchased separately from authorized DCS dealers.

Grill covers

To ensure high performance and longevity of your grill, we recommend purchasing a grill cover. Particularly if your grill is going to be stored outside.

Storage unit

The unit can be bolted onto either side of the grill. Please note, if you are using the rotisserie, the storage unit will need to be installed on the opposite side to where the motor sits. You can install up to two storage units on the grill, however, as the storage unit is attached at the same location as the rotisserie motor, installing two storage units will mean that the rotisserie motor cannot be installed.

All removable parts of the storage unit are dishwasher safe. Please see the storage unit quick start guide for install instructions, use and care and further information.

Griddle plate

The griddle plate can be purchased separately. Do not place griddle plates side-by-side. Please see the griddle plate quick start guide for install instructions, use and care and further information.

Infrared hybrid burner

Provides an additional cooking option. Please see the IR burner quick start guide for install instructions, use and care and further information.

Insulated jacket

We recommend purchasing a DCS insulated jacket if installing your grill into a combustible enclosure, as it will reduce the risk of fire, property damage and personal injury. Please see the insulated jacket quick start guide for install instructions, use and care and further information.

CARE AND MAINTENANCE

IMPORTANT!

Before each use, inspect the gas supply piping or hose prior to turning the gas “on”. If there is evidence of cuts, wear, or abrasion, on the piping or hose it must be replaced prior to use.

Regulator and hose replacement

The pressure regulator and hose assembly supplied with the unit must be used. If replacements are needed, contact customer care at www.dcsappliances.com. Do not use the grill if the odor of gas is present. If the unit is LP, screw the regulator into the tank and leak check the hose and regulator connections with a soap and water solution before operating the grill. Turn all knobs to “OFF” then turn on the gas supply. If LP, check that there is gas in the tank.

IMPORTANT!

- **Always keep your face and body as far away from the grill as possible when lighting.**
- **Do not leave the grill unattended while cooking.**
- **Keep a spray bottle of soapy water near the gas supply valve and check connections before each use.**
- **Do not attempt to light the grill if the odor of gas is present.**
- **Wait five minutes before relighting a hot grill.**

Grill grates

Method 1

Turn U-burners on “HI” for 15-20 minutes to burn any remaining food particles. After turning the grill “OFF”, use a bristle barbecue brush to remove any remaining food particles or ash.

Method 2

The easiest way to clean the grill is immediately after cooking is completed and after turning off the flame. Wear a barbecue mitt to protect your hand from the heat and steam. Dip a soft brass bristle barbecue brush in a mixture of two cups of tap water and ½ cup of vinegar and scrub the hot grill. Dip the brush frequently in the bowl of water and vinegar. Steam, created as water contacts the hot grill, assists the cleaning process by softening any food particles. The food particles will fall onto the ceramic rods and burn or fall into the drip pan. If the grill is allowed to cool before cleaning, this process will be more difficult.

Method 3

Take about one foot of aluminum foil, crumpled up in a ball and rub it over cooled grates to release food particles.

Note: grill grates must be re-seasoned after cleaning to prevent rust stains.

Drip pan and grease tray

The full width drip pan with grease tray will collect grease from the grill section and boil overs and spills from the side burners. Allow the pan and its contents to cool before attempting to clean. Clean grease from the pan often to avoid the possibility of a grease fire.

Ceramic rods

It is not necessary to remove the ceramic rods for cleaning. They burn themselves clean during the next cooking operation. Periodically the trays holding the ceramic rods need to be turned over, and shaken free of debris for a thorough cleaning. How often you use the grill and the amount and type of food cooked will determine when it is necessary to clean the trays. If grease can be seen on the top of the tubes or if there are a lot of flare-ups during cooking, the tubes need to be turned over and heated on “HI” for 30 minutes; longer for heavy soil.

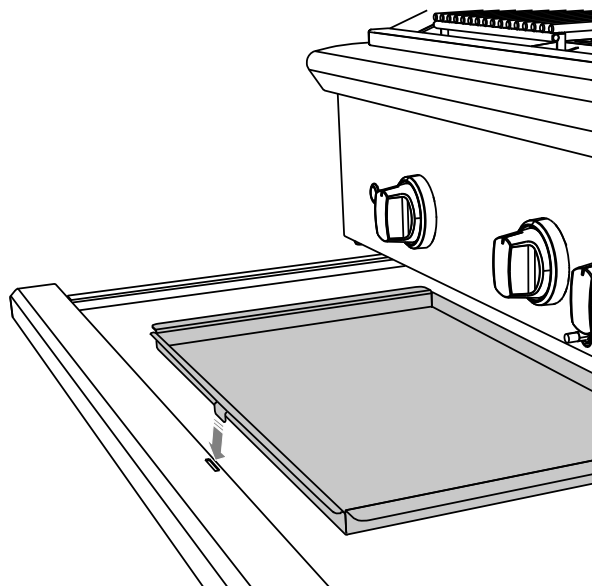


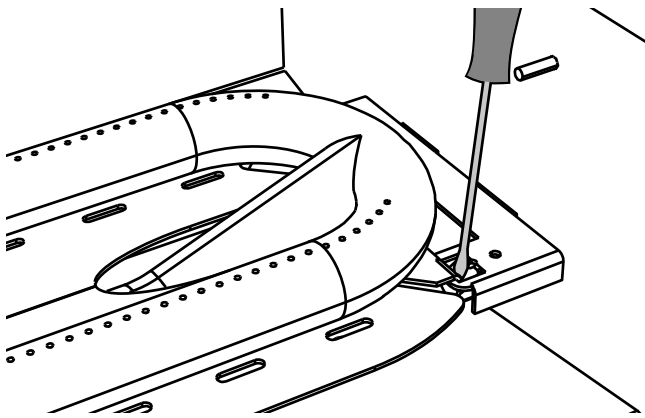
FIG. 34

304 Stainless steel

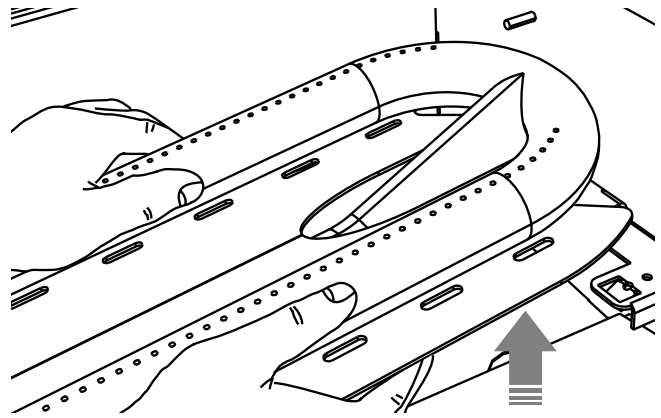
The grill is made from non-rusting and non-magnetic stainless steel. After initial usage, areas of the grill may discolor from the intense heat given off by the burners, this is normal. There are many different stainless steel cleaners available. Always use the mildest cleaning procedure first, scrubbing in the direction of the grain. To touch up noticeable scratches in the stainless steel, sand very lightly with wet 100 grit emery paper in the direction of the grain. Specks of grease can gather on the surfaces of the stainless steel and bake on to the surface and give the appearance of rust. For removal use an abrasive pad (Scotch Brite is good) in conjunction with a stainless steel cleaner. Always rub in the direction of the grain.

Note: stainless steel tends to corrode in presence of chlorides and sulfides especially in coastal areas. To ensure corrosion prevention, wash all stainless steel surfaces every three to four weeks with fresh water and stainless cleaner. Keep grill covered when not in use.

Removing the U-burners for cleaning



- ① Ensure gas supply has been turned off. Remove the grill grates, then lift out the grill radiant tray. Use a screw driver to pry open the slot to release the u-burner.



- ① Grip the u-burner and press downwards with your thumbs on the bracket in the back while lifting up on the u-burner. Pull it up and slightly to the rear of the unit so the burner air shutter head comes off the brass orifice at the front, angle the burner sideways, and remove.

IMPORTANT!

When re-installing the u-burner after cleaning, ensure that it is completely level and locked in place. This is needed to ensure your grill provides an even cooking performance.

Grill burner cleaning

Clean the exterior of the burner with a stainless steel wire brush. Clear stubborn scale with a metal scraper. Clear any clogged ports with a straightened paper clip. Never use a wooden toothpick as it may break off and clog the port. Shake out any debris through the air shutter. Use a flashlight to inspect the burner inlet to ensure it is not blocked. If obstructions can be seen, use a metal wire coat hanger that has been straightened (see Fig. 35).

Orifice cleaning

With the burner removed, remove the orifice and shine a flashlight through the opening to ensure there is no blockage. Use a needle to clear any debris. Be extremely careful not to enlarge the hole or break off the needle.

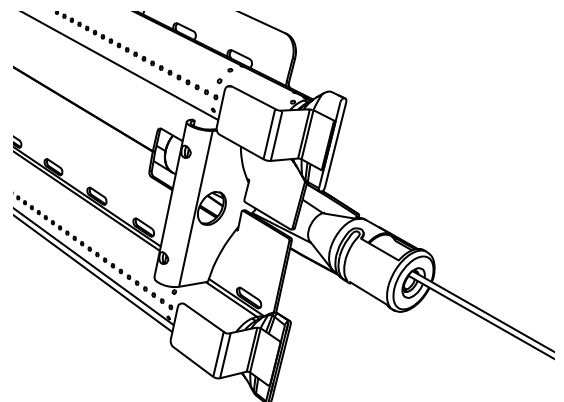


FIG. 35

Burner alignment

IMPORTANT!

Center the burner onto the orifice properly before lighting the grill to prevent fire hazard or explosion.

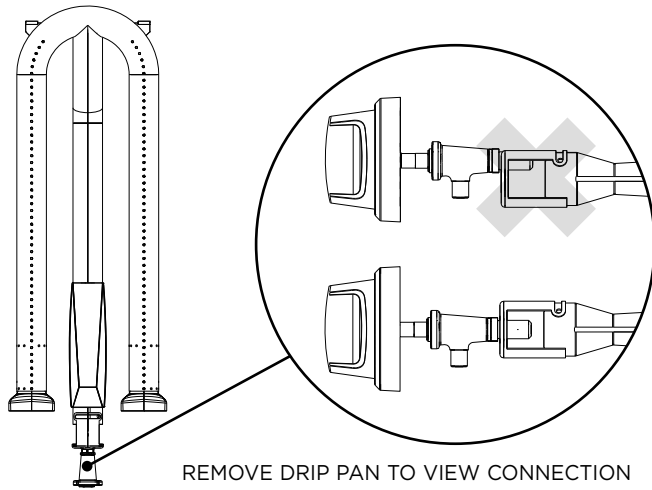


Fig. 36

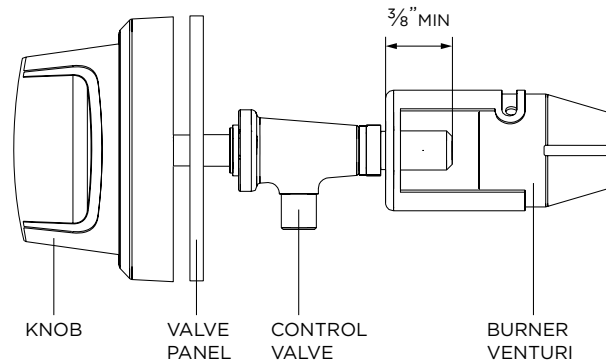


Fig. 37

Be careful not to misalign the air shutters' original position (unless readjusting). Lower the rear of the burner into the cutouts on the support channel at the rear of the burner box. Make sure it is level and does not rock. Light all of the burners and check that the flame is blue, stable and even. If adjustments are necessary, refer to page 20. Complete these adjustments prior to cooking.

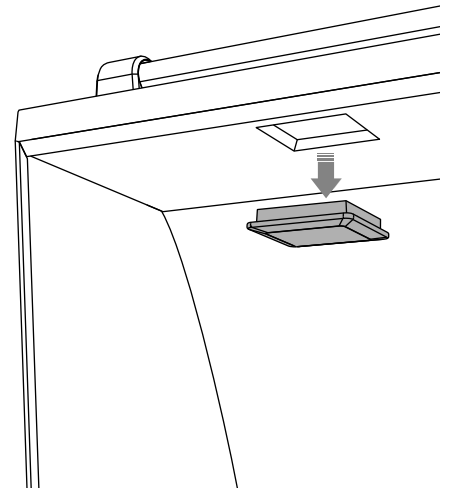
Replace internal lighting bulbs

Note: replacement bulbs are halogen, 12 volt, 10W max, T3 type with a G4 bi-pin base.

- ① Carefully remove the light bulb covers using your fingers or a screwdriver.
- ② Remove the light bulb and replace with a new bulb. Use gloves when handling the halogen bulbs as oils from finger-tips could damage the bulb.
- ③ Reinsert the light bulb cover. It should click back into place.

Cleaning light bulb covers

- ① Carefully remove the light bulb covers using your fingers or a screwdriver.
- ② Clean the covers and remove grease with a cloth, warm water and dishwashing liquid.
- ③ Reinsert the light bulb cover. It will click back into place.



IMPORTANT!

Halogen lamps are constructed of a glass bulb with a pressurized internal filament tube that operates at high temperatures and could unexpectedly shatter. Should the outer bulb break, particles of extremely hot glass could be discharged into the fixture enclosure and/or surrounding environment, thereby creating a risk of personal injury or fire. When replacing the bulb, let the bulb cool, and assure that power to the light has been turned off. Never allow the hot bulb to come into contact with water. **DO NOT TOUCH** the light bulb when in use. It may be hot enough to cause injury.

Care of the multi-tool

- Wash the multi-tool with hot soapy water after each use.
- To protect the condition of the natural wood handle, do not store while wet or in direct sunlight.

IMPORTANT!

Take care when handling and cleaning the multi-tool, as it has sharp edges that could cause injury.

Cleaning the charcoal insert:

- ① Once cooled, remove the charcoal insert from inside the grill and dispose of the ash safely.
- ② Scrape off any possible food residue using the multi-tool.
- ③ Clean off the carbon deposit on the bottom of the insert using a bristle barbecue brush.
- ④ Wash the insert with hot soapy water.

IMPORTANT!

Please do not touch or move the charcoal insert while the coals are burning. Please wait until the coal or ash has cooled before cleaning out the charcoal insert. Dispose of the ash in a fireproof container.

Cleaning secondary cooking surfaces (tray and racks)

- ① Wait until trays and/or racks have fully cooled before removing from the grill.
- ② Place in dishwasher. All trays and racks are dishwasher safe.

If handwashing is preferred:

- ① Wait until trays and/or racks have fully cooled before removing from the grill.
- ② Wash in hot soapy water using a non-abrasive pad.

TROUBLESHOOTING

Before calling for service

If the grill does not function properly, use the following checklist before contacting your dealer for service. You may save the cost of a service call. Troubleshooting is for general purposes only. If the problem persists and you feel you require service, contact your dealer or the nearest authorized agency to perform service. Only authorized agencies can perform warranty service. Contact DCS at www.dcsappliances.com

PROBLEM	POSSIBLE CAUSES	WHAT TO DO
Grill won't light when the control knob is pushed	<ul style="list-style-type: none"> • Gas supply is turned off • Power supply is off 	<ul style="list-style-type: none"> • Check gas supply, • Check that the grill is connected to a live AC power source • Check GFI outlet, reset if tripped • Check power supply fuse, replace if blown
Low heat with knob in "HI/SEAR" position	<ul style="list-style-type: none"> • Grill may be in a dusty area • If using LP gas, tank may be empty • If only one burner is low, a port may be obstructed 	<ul style="list-style-type: none"> • Move to a less dusty area if possible • Check gas supply • See page 41 for instructions on cleaning the orifice and burner • Preheat grill for a full 15 minutes
Burner flame is yellow or orange in conjunction with the odor of gas	<ul style="list-style-type: none"> • Gas supply is turned off 	<ul style="list-style-type: none"> • Check gas supply • Check that the grill is connected to a live AC power source • Check GFI outlet, reset if tripped • See page 36 for instructions on manually lighting the rotisserie
Rotisserie wont hold flame once button is released	<ul style="list-style-type: none"> • 	<ul style="list-style-type: none"> • Continue holding safety valve button in depressed position until burner remains lit when released
Dial lights and grill lights don't turn on	<ul style="list-style-type: none"> • Power supply is off • GFI has tripped (Ground Fault Interrupter) • Transformer fuse has blown 	<ul style="list-style-type: none"> • Check that the grill is connected to a live AC power source • Check GFI outlet, reset if tripped • Check power supply fuse, replace if blown
Internal light not working	<ul style="list-style-type: none"> • Bulb has blown 	<ul style="list-style-type: none"> • Remove glass lens, replace with 12v G4 halogen bulb

Before you call for service or assistance

Check the things you can do yourself. Refer to the installation instructions and your user guide and check that:

- ① Your product is correctly installed.
- ② You are familiar with its normal operation.
- ③ Model Number (can be found on the inside, right side panel behind the drip pan handle. See page 22.)
- ④ Serial Number (can be found on the inside, right side panel behind the drip pan handle. See page 22.)
- ⑤ Code (can be found on the inside, right side panel behind the drip pan handle. See page 22.)
- ⑥ Date of installation

If after checking these points you still need assistance or parts, please refer to the Service & Warranty book for warranty details and your nearest Authorized Service Centre, Customer Care, or contact us through our website www.dcsappliances.com or email: customer.care@fisherpaykel.com.

Complete and keep for safe reference:

Model _____

Serial No. _____

Purchase Date _____

Purchaser _____

Dealer _____

Suburb _____

Town _____

Country _____

Sécurité et avertissements	3
Modèles de gril	6
Dimensions du produit	7
Installation	
Repérage de la grille / dégagements intégrés	8
Détails de construction intégrés	13
Branchement au gaz	15
Test de fuite	18
Connexion électrique	19
Réglage du brûleur	20
Assemblage radiant	21
Liste de contrôle d'installateur	22
Utilisation du gril	
Instructions d'allumage	24
Grillage	25
En utilisant les grilles	32
Utilisation de l'insert de charbon de bois	33
Utilisation de la rôtissoire	34
Accessoires	39
Entretien et maintenance	40
Dépannage	44
Garantie et réparation	45

IMPORTANT!

CONSERVEZ CES INSTRUCTIONS

Les modèles présentés dans ce guide de l'utilisateur peuvent ne pas être disponibles sur tous les marchés et peuvent être modifiés à tout moment. Pour les détails actuels sur la disponibilité des modèles et des spécifications dans votre pays, veuillez visiter notre site Web figurant au dos de la couverture ou contactez votre revendeur Fisher & Paykel.

UN MESSAGE À NOS CLIENTS

Merci d'avoir choisi ce gril DCS Evolution Series. Ce guide d'installation et d'utilisation contient des informations précieuses sur la façon d'installer, d'utiliser et d'entretenir correctement votre nouvel appareil pour des années de cuisson sûre et agréable.

S'il vous plaît remplir et soumettre votre enregistrement de produit en visitant notre site Web à www.dcsappliances.com et en sélectionnant "Support" sur la page d'accueil, puis en sélectionnant "Enregistrement du produit". De plus, gardez ce guide à portée de main, car il vous aidera à répondre aux questions qui pourraient se poser lorsque vous utiliserez votre nouvel appareil.

Pour plus de commodité, vous pouvez répondre aux questions sur les produits auprès d'un représentant du service à la clientèle de DCS à www.dcsappliances.com ou par courriel à: customer.care@fisherpaykel.com.

Veuillez écrire le modèle, le code et les numéros de série sur cette page pour référence (ceci peut être trouvé sur le côté intérieur droit, derrière la poignée de la lèchefrite Voir page 22.)

NUMÉRO DE MODÈLE _____ CODE _____ NUMÉRO DE SÉRIE _____

IMPORTANT!

NE PAS jeter les matériaux d'emballage (boîte, palette, sangles) avant que l'unité ait été inspectée. Inspectez le produit pour vérifier qu'il n'y a aucun dommage d'expédition. Si un dommage est détecté, appelez l'expéditeur et engagez une réclamation pour dommages. DCS par Fisher & Paykel n'est pas responsable des dommages d'expédition.

Pour réduire les risques d'incendie, d'électrocution, de blessures corporelles ou de dommages lors de l'utilisation de l'appareil, suivez les consignes de sécurité importantes ci-dessous:

⚠ ATTENTION!



Danger de surface chaude

Les pièces accessibles peuvent devenir chaudes pendant l'utilisation.

Ne touchez pas les unités de surface ou les zones proches des unités du grill.

Le couvercle doit être ouvert avant d'allumer le grill.

Never let clothing, pot holders or other flammable materials come in contact with or approchez-vous trop de la grille, du brûleur ou de la surface chaude jusqu'à ce qu'elle soit refroidie. Le tissu peut s'enflammer et entraîner des blessures.

Ne jamais se pencher sur un grill ouvert. Lorsque vous allumez un brûleur, portez toujours une attention particulière à ce que vous faites. Assurez-vous que vous appuyez sur le bouton du brûleur lorsque vous tentez d'allumer le grill.

Lorsque vous utilisez le grill, ne touchez pas le brûleur du grill, la grille ou la zone environnante, car ces endroits deviennent extrêmement chauds et peuvent causer des brûlures.

La graisse est inflammable. N'utilisez jamais le grill sans un bac à graisse. Laisser refroidir la graisse chaude avant d'essayer de la manipuler. Évitez de laisser les dépôts de graisse s'accumuler dans la lèchefrite. Nettoyez le grill avec précaution. Évitez les brûlures de vapeur; N'utilisez pas d'éponge ou de chiffon humide pour nettoyer le grill lorsqu'il est chaud. Certains nettoyants produisent des vapeurs nocives ou peuvent s'enflammer s'ils sont appliqués sur une surface chaude.

Utilisez uniquement des poignées sèches; Les poignées humides ou humides sur des surfaces chaudes peuvent causer des brûlures causées par la vapeur. Ne pas utiliser une serviette ou un chiffon volumineux à la place des poignées. Ne laissez pas les maniques toucher les parties chaudes du grill ou de la grille du brûleur.

Pour éviter les brûlures lors de la cuisson, utilisez des outils à barbecue à long manche. Le non-respect de ce conseil peut entraîner des brûlures et des échaudures ou des blessures graves.

⚠ ATTENTION!



Risque d'explosion

Si vous sentez une odeur de gaz, n'utilisez pas l'appareil.

N'utilisez pas d'eau sur les feux de graisse, une violente explosion de vapeur pourrait en résulter. Éteignez tous les brûleurs, puis étouffez le feu ou les flammes ou utilisez un extincteur à poudre chimique ou un extincteur à mousse.

Ne chauffez pas de récipients alimentaires non ouverts, tels que des canettes. -

L'accumulation de pression peut provoquer l'éclatement du récipient et entraîner des blessures. Le non-respect de ce conseil peut entraîner des blessures ou la mort.

⚠ ATTENTION!



Risque d'incendie

Ne faites pas fonctionner le grill sous une construction combustible non protégée.

Utiliser seulement dans des zones bien ventilées. Ne pas utiliser dans les bâtiments, les garages, les hangars, les coursives, les structures couvertes ou d'autres espaces fermés. Cette unité est pour l'usage extérieur seulement.

Ne laissez jamais le grill sans surveillance lorsqu'il est utilisé.

N'entreposez jamais une bouteille de GPL de rechange sous ou à proximité de cette unité. Ne remplissez jamais le réservoir au-delà des 3/4.

Le non-respect de ce conseil peut entraîner la mort ou des blessures graves.

⚠ WARNING!



Danger de choc électrique

Cet appareil est équipé d'une prise de terre à trois ou quatre broches pour votre protection contre les risques d'électrocution et doit être branché directement dans une prise de courant correctement mise à la terre. Ne coupez ou ne retirez en aucun cas la broche de mise à la terre de cette prise.

Le non-respect de ce conseil peut entraîner la mort ou un choc électrique.

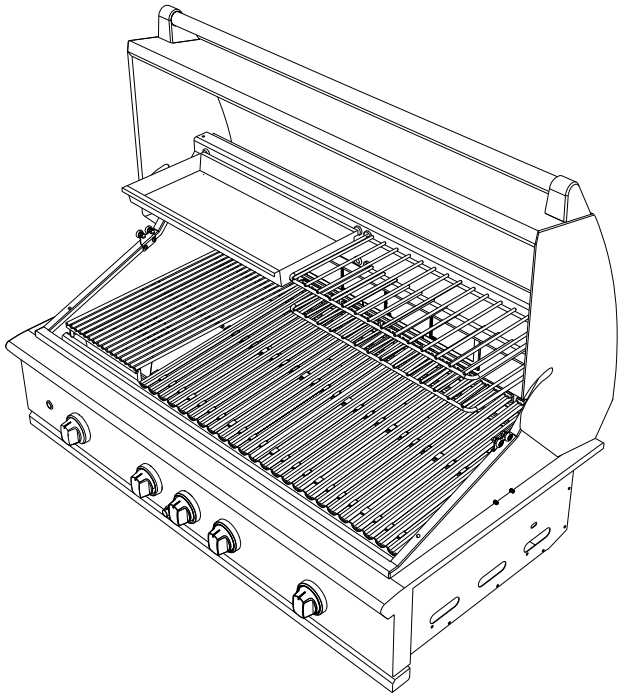
CONSIGNES DE SÉCURITÉ IMPORTANTES!

- Après une période de stockage ou de non-utilisation (par exemple pendant l'hiver), vérifiez les fuites de gaz, la détérioration, le bon montage et les obstructions du brûleur avant d'utiliser le gril à gaz.
- Toujours utiliser une main couverte lors de l'ouverture du couvercle du barbecue et ne le faire que lentement pour permettre à la chaleur et à la vapeur de s'échapper.
- Après avoir allumé les brûleurs, assurez-vous que les brûleurs fonctionnent normalement (voir page 20).
- N'utilisez pas de papier d'aluminium pour recouvrir les bacs d'égouttement ou les grilles ou les radiants. Cela peut gravement perturber le flux d'air de combustion ou emprisonner une chaleur excessive dans la zone de contrôle. Le résultat de ceci peut être des boutons fondus ou des composants d'allumage endommagés.
- Ne pas utiliser avec un cordon ou une prise endommagée ou après un dysfonctionnement de l'appareil ou s'il a été endommagé de quelque manière que ce soit. Contactez le fabricant pour réparation.
- Ne laissez pas le cordon de la rôtissoire pendre sur le bord d'une table ou toucher des surfaces chaudes.
- N'utilisez pas d'appareil de cuisson extérieur à d'autres fins que celles prévues.
- N'utilisez pas de briquet dans l'insert du brûleur à charbon ou sur les brûleurs à gaz.
- Assurez-vous que toutes les commandes du gril sont éteintes et que le gril est froid avant d'utiliser tout type de nettoyant aérosol sur ou autour du gril. Le produit chimique qui produit l'action de pulvérisation peut, en présence de chaleur, s'enflammer ou provoquer la corrosion des parties métalliques.
- Ne jamais griller sans le bac collecteur en place et accroché à l'avant du bac à graisse (voir la figure 34 à la page 40 pour le schéma). Sans cela, la graisse chaude pourrait couler vers le bas et provoquer un incendie ou une explosion.
- Ne faites pas fonctionner le gril sous une construction combustible non protégée. Utilisez seulement dans des zones bien ventilées. Ne pas utiliser dans les bâtiments, les garages, les hangars, les coursives, les structures couvertes ou d'autres espaces fermés. Cette unité est pour l'usage extérieur seulement.
- Si vous utilisez des plaques de cuisson, ne les placez pas côte à côte sur le gril ou sur le brûleur hybride infrarouge.
- N'utilisez jamais le gril dans un endroit venteux.
- Ne pas placer, entreposer ou faire fonctionner la grille sur un plan incliné.
- Gardez tout cordon d'alimentation électrique ou le cordon du moteur de tournebroche à l'écart des zones chauffées du barbecue et de l'eau (piscines, fontaines, flaques d'eau).
- N'utilisez jamais un réservoir de GPL bosselé ou rouillé. Maintenez les ouvertures de ventilation du boîtier du cylindre libres et dégagées des débris.
- Avoir un extincteur homologué ABC - ne jamais essayer d'éteindre un feu de graisse avec de l'eau ou d'autres liquides.
- Ne déplacez pas l'appareil pendant son utilisation.
- Cette unité est pour usage extérieur seulement! Ne pas utiliser dans des zones fermées. Cela pourrait entraîner une accumulation de monoxyde de carbone qui pourrait entraîner des blessures ou la mort.
- Lorsque vous utilisez un gril, assurez-vous que toutes les pièces de l'appareil sont bien en place et que le gril est stable (ne peut pas être renversé).
- Pour éteindre les poussées, réglez les commandes pour abaisser la température
- N'allumez pas les brûleurs du gril lorsque le brûleur de la rôtissoire est allumé.
- Cet appareil de cuisson au gaz pour l'extérieur n'est pas conçu pour être installé dans ou sur des véhicules récréatifs, des remorques et / ou des bateaux.

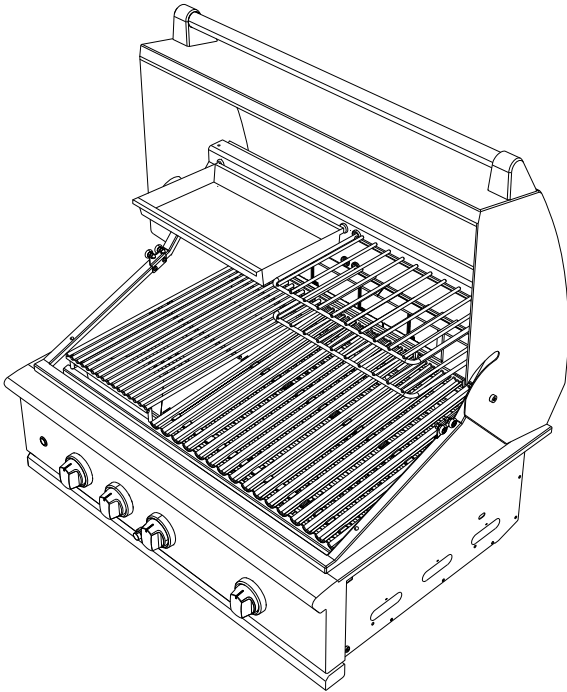
CONSIGNES DE SÉCURITÉ IMPORTANTES!

- **PROPOSITION 65 DE LA CALIFORNIE AVERTISSEMENT:** La combustion du combustible de cuisson au gaz génère certains sous-produits qui figurent sur la liste des substances reconnues par l'État de Californie comme pouvant causer le cancer ou des problèmes de reproduction. La loi californienne oblige les entreprises à avertir les clients de l'exposition potentielle à de telles substances. Pour minimiser l'exposition à ces substances, utilisez toujours cet appareil conformément au manuel, en veillant à assurer une bonne ventilation lors de la cuisson au gaz
- Ce produit doit être installé par un plombier ou un installateur de gaz agréé lorsqu'il est installé dans le Commonwealth du Massachusetts.
- Certains revendeurs de propane liquide peuvent remplir des bouteilles de propane liquide pour une utilisation dans le grill au-delà de la capacité de remplissage du réservoir. Ce "sur-remplissage" peut créer une situation dangereuse. Les réservoirs «trop remplis» peuvent accumuler une surpression. En tant que dispositif de sécurité, la soupape de surpression du réservoir évacue la vapeur de gaz propane pour soulager cette surpression. Cette vapeur est combustible et peut donc être enflammée. Pour réduire ce danger, vous devez prendre les précautions de sécurité suivantes:
 - Lorsque vous avez rempli votre réservoir, assurez-vous de dire au fournisseur de ne pas remplir plus de 3/4 (75%) de sa capacité totale.
 - Si vous possédez ou utilisez un réservoir de rechange, ou avez un réservoir déconnecté, vous ne devez JAMAIS l'entreposer à proximité ou sous l'unité de grill ou la boîte de chauffage, ou à proximité de tout autre source d'ignition ou de chaleur. Un autocollant métallique avec cet avertissement est fourni avec le grill. Installez cet autocollant près de votre barbecue.
 - Ne stockez pas un réservoir plein à la lumière directe du soleil.
- Enfoncez et tournez le bouton de commande sélectionné en position HI / SEAR. Relâchez le bouton lorsque le brûleur s'allume. Si le brûleur ne s'allume pas dans les quatre à cinq secondes, tournez le bouton «OFF» et attendez cinq minutes avant d'essayer à nouveau afin que tout gaz accumulé puisse se dissiper.
- Avant chaque utilisation, inspectez la tuyauterie d'alimentation en gaz ou le tuyau avant d'allumer le gaz. S'il y a des signes de coupures, d'usure ou d'abrasion, il faut le remplacer avant de l'utiliser.
- Suivez les instructions d'installation de ce manuel. Faites installer votre grill par un installateur qualifié. Demandez à l'installateur de vous indiquer où se trouve la vanne d'arrêt d'alimentation en gaz afin de savoir où et comment couper le gaz au barbecue. Si les connexions ne sont pas parfaitement scellées, vous pouvez avoir une petite fuite et donc une légère odeur de gaz. Certaines fuites peuvent uniquement être détectées lorsque la commande du brûleur est en position "ON" - ceci doit être fait par un technicien qualifié.
- Les enfants ne devraient pas être laissés seuls ou sans surveillance dans une zone où le grill est utilisé. Ne jamais les laisser s'asseoir, se tenir debout ou jouer sur ou autour du grill à tout moment. En cours d'utilisation, certaines parties du grill deviennent suffisamment chaudes pour causer de graves brûlures.
- Ne stockez pas d'objets d'intérêt pour les enfants autour ou au-dessous du grill.
- Nettoyer et effectuer l'entretien général du barbecue deux fois par an. Surveillez la corrosion, les fissures ou l'activité des insectes. Vérifiez le régulateur, les tuyaux, les orifices du brûleur, le volet d'air et la section venturi / valve avec précaution. Éteignez toujours le gaz à la source (réservoir ou conduite d'alimentation) avant d'inspecter les pièces.
- N'utilisez jamais les brûleurs du grill lorsque le brûleur de la rôtissoire est allumé.

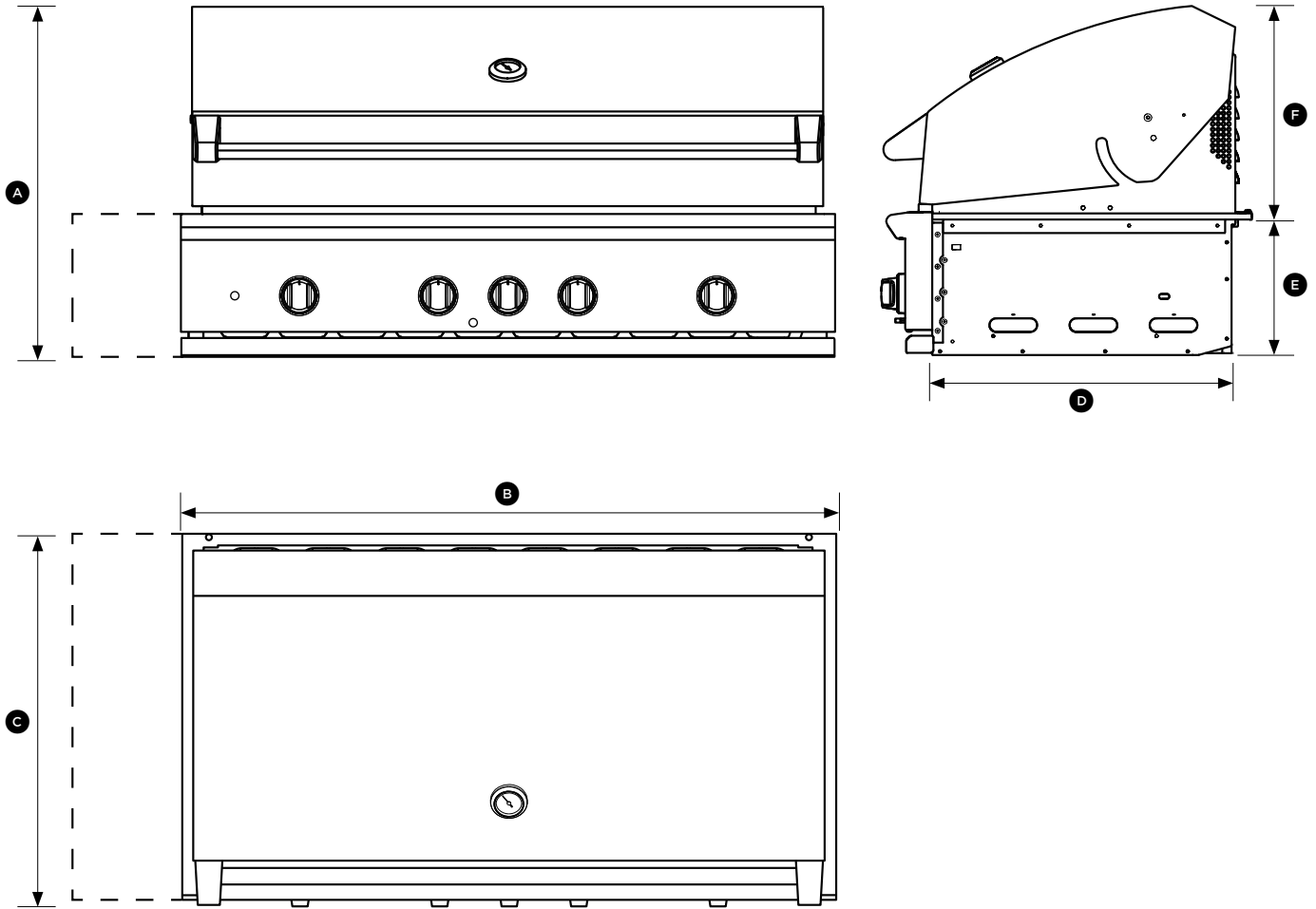
GRILL MODÈLES



BE1-48R



BE1-36R



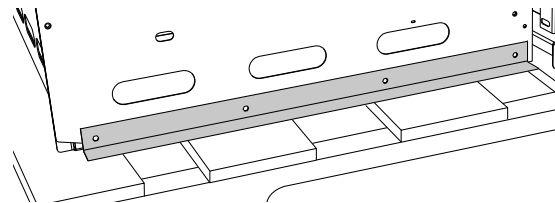
DIMENSIONS DU PRODUIT	BE1-48R	BE1-36R
	Pouces (mm)	Pouces (mm)
Ⓐ Hauteur totale de la grille	27 ¼ (692)	27 ¼ (692)
Ⓑ Largeur totale de la grille	47 15/16 (1217)	35 15/16 (912)
Ⓒ Profondeur totale de la grille (sauf poignée et cadrans)	26 7/8 (27)	26 7/8 (27)
Ⓓ Largeur du châssis	22 (559)	22 (559)
Ⓔ Hauteur du châssis	9 15/16 (252)	9 15/16 (252)
Ⓕ Hauteur du couvercle	17 7/16 (443)	17 7/16 (443)

INSTALLATION

Repérage des grilles / dégagements intégrés

IMPORTANT!

Avant toute installation, retirez les supports d'expédition du gril. Pour ce faire, desserrer les 4 vis sur le dessous du gril qui maintiennent les supports au gril. Retirez les supports en les faisant glisser et resserrer les vis.



Emplacement

Pour déterminer un emplacement approprié, vous devez tenir compte de plusieurs éléments : exposition au vent, proximité de chemins de circulation, nécessité de garder les conduites d'alimentation en gaz ou électrique le plus court possible et à l'écart de toute source de chaleur. Placez l'appareil dans un lieu bien aéré uniquement. Ne construisez pas le gril sous une enceinte combustible non protégée. Ne placez jamais le gril à l'intérieur d'un bâtiment, garage, abri, passage couvert ou autre lieu clos de ce type. Durant un usage intensif, le gril produit beaucoup de chaleur et de fumée : veillez à ce qu'il y ait assez d'espace pour que celle-ci puisse se dissiper.

Si on place le gril dans un endroit venteux, essayez de le placer de manière à ce que le vent dominant souffle de l'air sur l'avant du gril telle que l'indique la figure 01b. Ceci permettra le gril de ventiler de l'air chaud à travers l'arrière du gril. En outre, ceci empêchera de souffler toute la fumée vers quelqu'un qui cuisine sur le gril. Si le gril doit être placé dans un endroit venteux où le vent dominant se trouve à l'arrière du gril, il faut installer un coupe-vent. Le coupe-vent doit être fabriqué de manière à empêcher le vent d'entrer dans le conduit de sortie sur l'arrière de l'unité comme l'indique la (figure 01a). L'emplacement du coupe-vent relatif à l'arrière du gril se doit tenir aux dégagements pour les constructions combustibles et non combustibles comme définis dans ces instructions. Voyez les pages suivantes.

En qualité d'appareil à gaz de haute performance, le gril requiert de grandes quantités d'air pour supporter le processus de combustion. Votre gril est conçu pour aspirer l'air par la section du panneau de valves et pour envoyer les produits d'échappement à travers l'espace d'échappement sur l'arrière de la hotte. Utiliser le gril dans des conditions venteuses peut perturber le débit adéquat de l'air dans le gril, entraînant ainsi une moindre performance ou, dans certains cas graves, en provoquant une accumulation de chaleur dans la zone du panneau de valves. Ce qui peut provoquer des problèmes tels que la fonte des brûleurs ou des risques de brûlures lorsque les surfaces du panneau de valves deviennent trop chaudes au toucher.

Veillez noter que tout dommage du gril résultant de son utilisation dans des conditions venteuses, tel que la fonte des boutons ou des fils d'allumeurs, ou encore la décoloration du panneau de valves provoquée par l'accumulation de chaleur, est exclu de la couverture de garantie.

Repérage des grilles / dégagements intégrés

IMPORTANT!

Les robinets d'arrêt du gaz, le régulateur et les robinets d'arrêt fournis par l'installateur doivent être facilement accessibles.

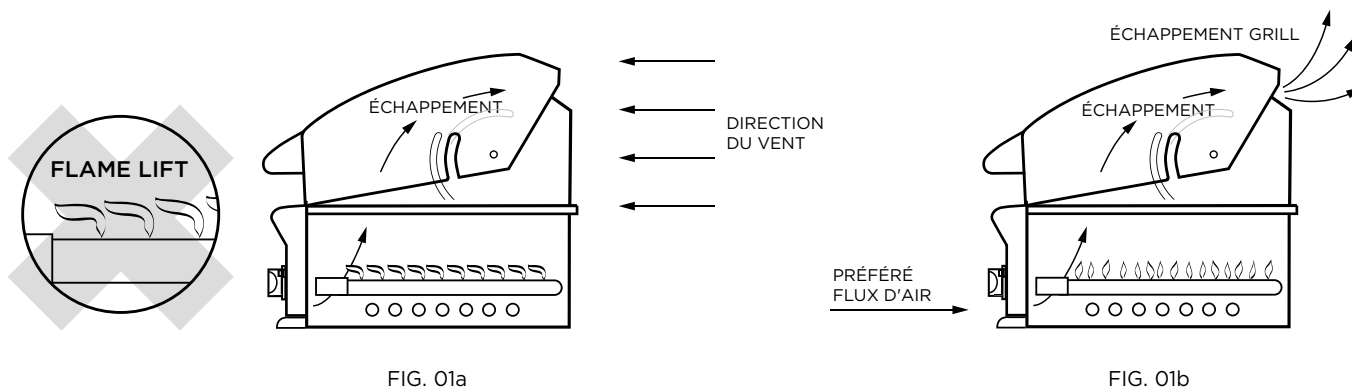


FIG. 01a

FIG. 01b

Le vent qui frappe le grill pendant son utilisation, particulièrement les vents soufflant dans ou sur cet espace de hotte, peut entraîner une performance médiocre et, dans certains cas, peut rendre le panneau de commande extrêmement chaud (figure 01a).

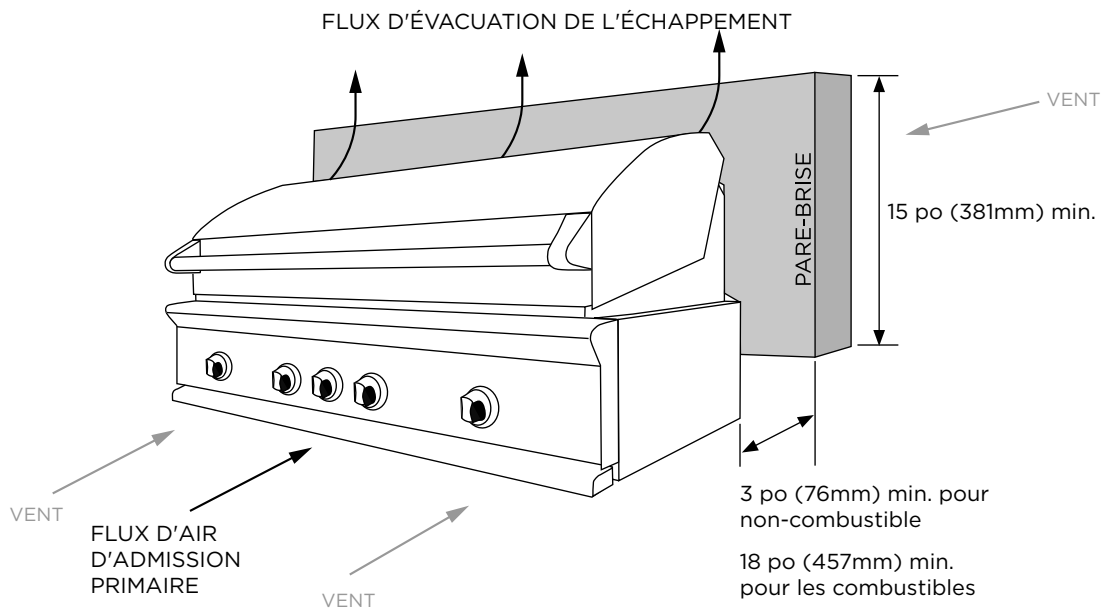


FIG. 01c

Si le vent est un problème, il faut ajouter un coupe-vent. Le coupe-vent doit être supérieur au haut de l'ouverture sur l'arrière du grill. Le dégagement entre le coupe-vent et le grill doit être 3 po (76mm) min. pour les matériaux non combustibles et 18 po (457mm) min. pour les matériaux combustible.

INSTALLATION

Localisation des dégagements intégrés

Dégagements à la construction incombustible*

Un dégagement d'au moins 3 po (76mm) entre l'arrière du gril et une construction incombustible est requis pour permettre l'ouverture complète du couvercle. Il est souhaitable de laisser au moins 6 po (153mm) de dégagement arrière et latéral à la construction incombustible au-dessus de la surface de cuisson pour l'espace de comptoir. Si vous utilisez l'option tournebroche, l'espace est essentiel pour le dégagement du moteur et des brochettes. Le gril peut être placé directement à côté d'une construction incombustible sous la surface de cuisson (Fig. 02).

Remarque: si vous avez l'intention d'utiliser la rôtissoire, le dégagement minimum sera celui du moteur de la rôtissoire au lieu du côté du gril.

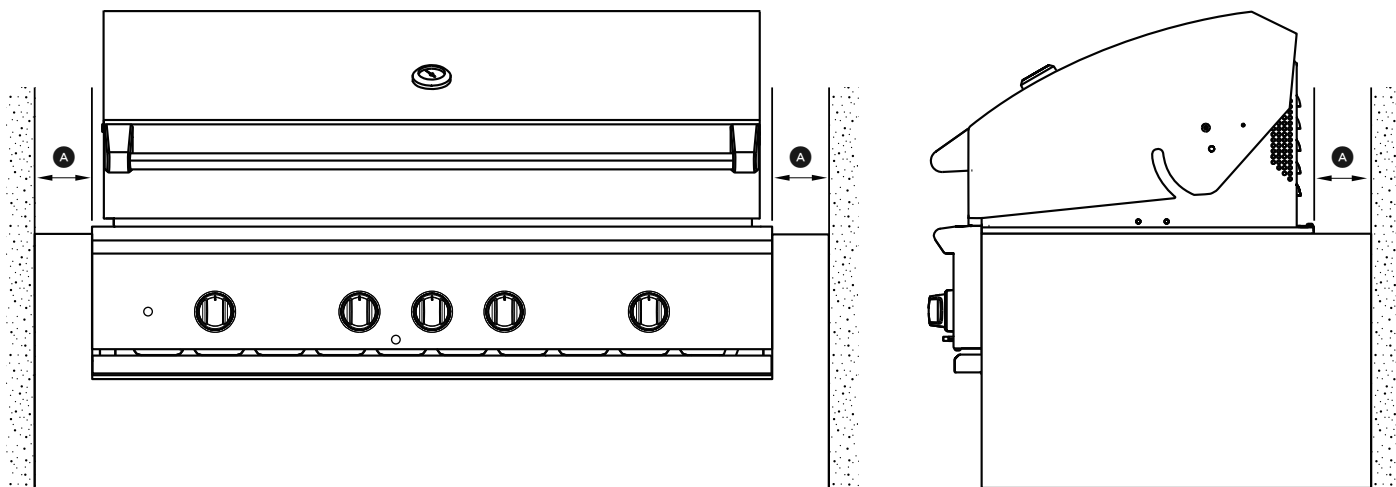



FIG. 02

DIMENSIONS DU PRODUIT

POUCES (MM)

Ⓐ Distance minimale de la surface non combustible à la grille

3 (76)

 = INCOMBUSTIBLE SURFACE

***DÉFINITION DU MATÉRIEL NON COMBUSTIBLE** - Matières qui ne peuvent pas être enflammées et brûlées, telles que les matériaux entièrement ou en combinaison avec de l'acier, du fer, des briques, du béton, de l'ardoise et du plâtre.

Général

Le gril est conçu pour un placement facile dans des enceintes de maçonnerie intégrées. Pour les applications non-combustibles, le gril tombe dans l'ouverture de la figure 05 et pend de ses brides latérales. Un deck n'est pas nécessaire pour le supporter depuis le bas. Lorsque vous utilisez la gaine isolante dans une enveloppe combustible, reportez-vous à la figure 06. La gaine isolante doit être supportée par le bas par un rebord de chaque côté et à l'arrière ou sur un pont solide.

Un niveau à bulle doit être utilisé pour s'assurer que l'unité est de niveau à la fois d'avant en arrière et d'un côté à l'autre. Si elle n'est pas de niveau, la combustion du brûleur peut être erratique ou l'unité peut ne pas fonctionner efficacement pour le flux de graisse. Si le sol est irrégulier, il peut être nécessaire de le niveler à chaque fois qu'une unité autoportante est déplacée.

IMPORTANT!

- **Le non-respect des dégagements requis crée un risque d'incendie pouvant entraîner des dommages matériels ou des blessures graves.**
- **Le gril est conçu pour fonctionner dans un espace ouvert. Les dégagements minimaux recommandés doivent être maintenus sur toutes les surfaces (combustibles et non combustibles) pour une performance optimale. Le matériau non combustible dans la zone de dégagement minimum peut entraîner une décoloration ou une détérioration.**
- **Si un matériau incombustible tel que le stuc recouvre un matériau combustible tel que le bois, la distance de dégagement minimale doit être prise en compte pour le bois. La présence d'un matériau incombustible à l'intérieur de la zone de dégagement n'élimine pas la zone de dégagement minimum par rapport aux matériaux combustibles.**

Localisation des dégagements intégrés

Dégagements à la construction combustible**

Un minimum de 18 po (457 mm) des côtés et de l'arrière du grillage doit être maintenu jusqu'à la construction combustible verticale adjacente, au-dessus du niveau du comptoir. Une chaleur intense et de grands volumes de fumée s'échappent de l'arrière de la grille (figure 01b). Cela peut décolorer ou endommager les zones non protégées. Ne pas installer sous une construction combustible non protégée sans utiliser un système de ventilation coupe-feu.

Un dégagement minimum de 18 po (457 mm) doit être maintenu sous le comptoir jusqu'à la construction combustible. Le jeu peut être modifié par l'utilisation d'une veste isolée. Les vestes isolées peuvent être achetées sur notre site Web, www.dcsappliances.com.

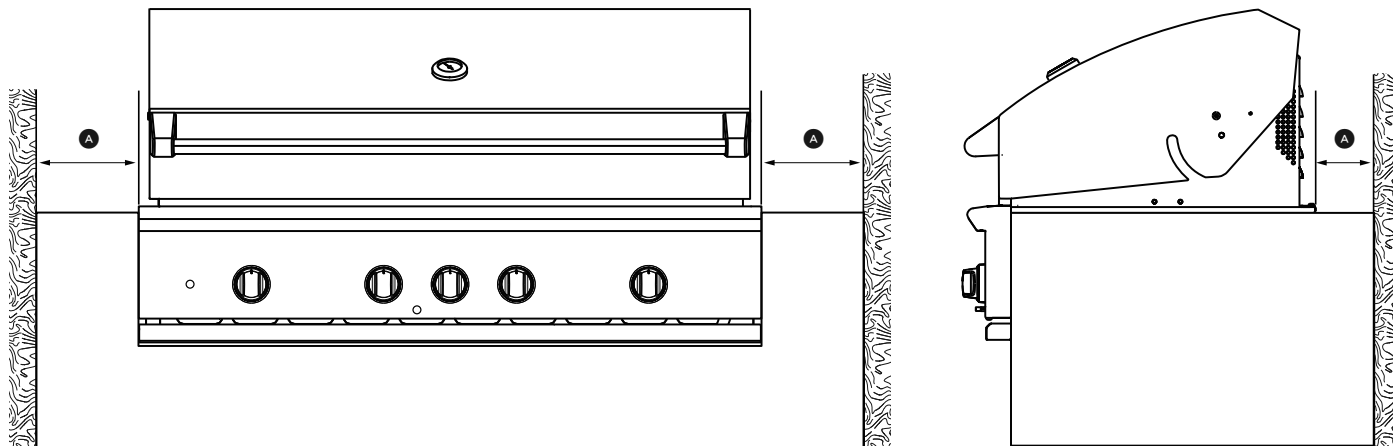



FIG. 03

DIMENSIONS DU PRODUIT	POUCES (MM)	 = COMBUSTIBLE SURFACE
Ⓐ Distance minimale de la surface combustible à la grill	18 (457)	

****DÉFINITION DU MATÉRIAU COMBUSTIBLE** - Tous les matériaux d'une structure de bâtiment ou d'une structure décorative faits de bois, de papier comprimé, de fibres végétales, de vinyle / plastique ou d'autres matériaux capables de transférer de la chaleur ou d'être enflammés et brûlés. Un tel matériau doit être considéré comme combustible même s'il est ignifugé, ignifuge ou peint en surface ou enduit.

IMPORTANT!

It is required that a minimum of two 12 1/4x12 1/4" (311 x 311mm) vents be provided in order to safely dissipate unburned gas vapors in the event of a gas supply leak. These are to be located on each side of the enclosure and within 5" (127mm) of the top.

Enveloppe isolée

Si le grill doit être placé dans une enceinte combustible, une enveloppe isolée homologuée est nécessaire. Des enveloppes isolées sont disponibles auprès de votre distributeur. Utilisez uniquement une enveloppe isolée DCS ayant été conçue et testée spécialement à cette fin. Analysez le schéma détaillé (Fig. 06) et tenez compte des dispositions à prendre pour le branchement de la conduite de gaz au coin droit arrière. Il est nécessaire de prévoir des trous de ventilation dans l'enceinte pour éviter le risque d'accumulation de gaz en cas de fuite. Les pièces d'appui ou la base de support doivent être de niveau et plates, et suffisamment solides pour supporter le grill et l'enveloppe isolée. Le comptoir doit aussi être de niveau.

IMPORTANT!

L'installation de ce produit dans une enceinte combustible sans enveloppe isolée pourrait entraîner un incendie, des dommages matériels et des blessures corporelles.

INSTALLATION

Localisation des dégagements intégrés

Dégagements à la construction combustible protégée***

Un dégagement d'au moins 12 po (305 mm) des côtés et de l'arrière du grillage doit être maintenu à la construction combustible adjacente protégée verticalement, une chaleur intense et de grands volumes de fumée s'échappant de l'arrière du gril. La hauteur de la surface protégée incombustible doit dépasser d'au moins 48 po (1220 mm) au-dessus de la paillasse. Le 12 po (305mm) comprend 4 po (102mm) min. matériau incombustible plus un dégagement minimum de 8 po (203 mm) entre le grillage et la construction combustible protégée, ce qui peut être réalisé avec de la brique ou du béton (Fig.04a) ou un goujon métallique avec un substrat incombustible (fig. 04b).

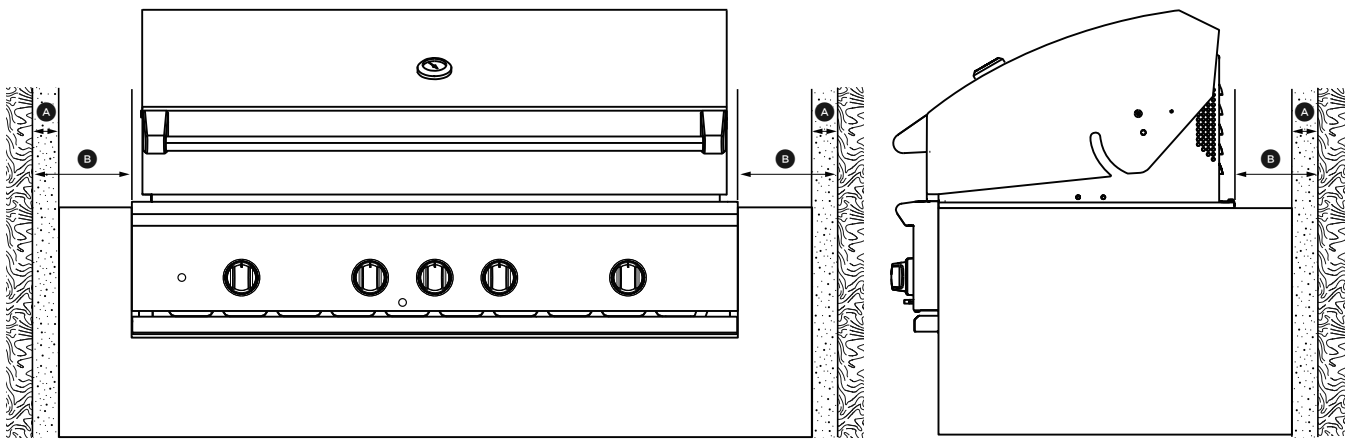


FIG. 04a

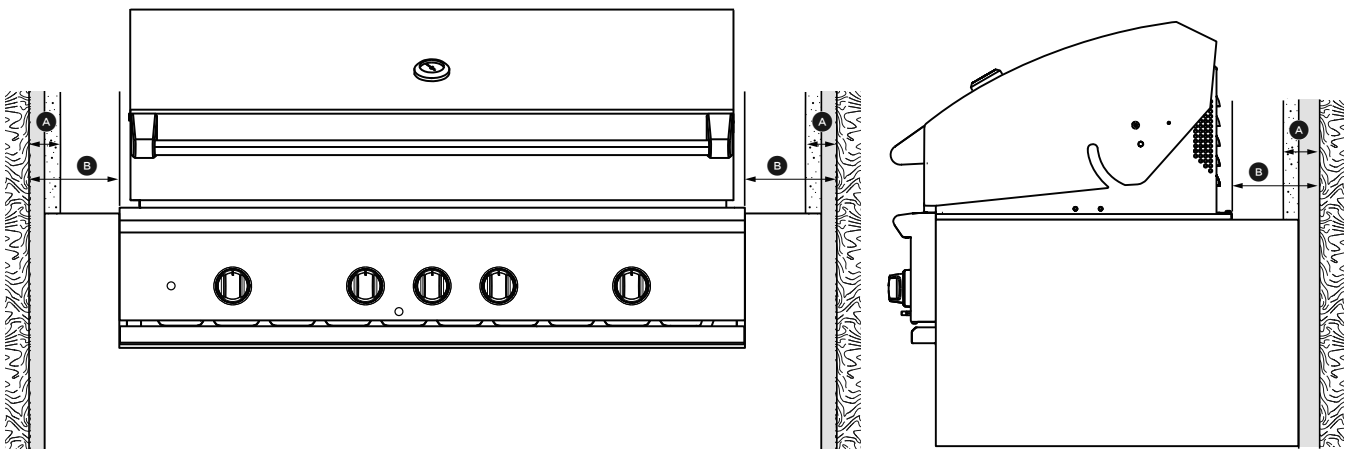
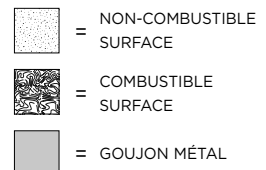


FIG. 04b

DIMENSIONS DU PRODUIT

POUCES (MM)

(A) Largeur minimale de la surface non combustible	4 (102)
(B) Distance minimale de la surface combustible à la grille	12 (305)



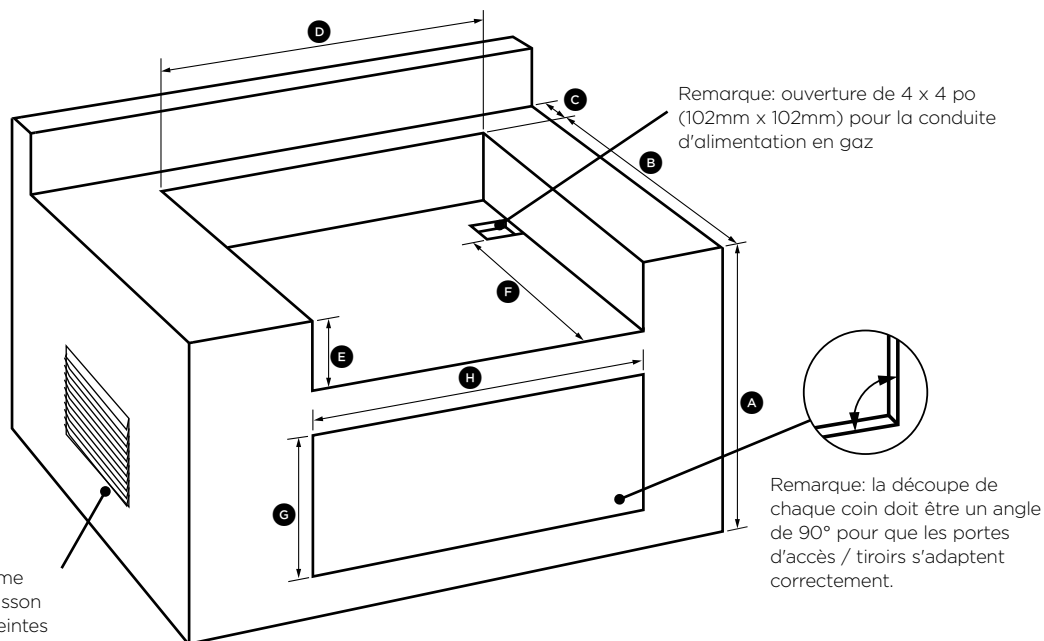
*****DÉFINITION DE LA SURFACE COMBUSTIBLE PROTÉGÉE** - Un mur de matériau incombustible devant une paroi de matériau combustible, servant de barrière. Pour les définitions de matériaux incombustibles et combustibles, veuillez vous reporter aux pages précédentes.

Détails de construction intégrés

Disposition standard pour une enceinte non combustible

IMPORTANT!

Si vous installez le gril dans une enceinte non combustible, toute construction combustible doit toujours être à l'extérieur de la zone de dégagement de 18 pouces. Si votre île est faite de stuc sur le dessus des montants en bois, le bois ne peut pas être à l'intérieur de la zone de dégagement de 18 pouces à combustible, même si le stuc est ce qui touche la zone du barbecue.



Remarque: reportez-vous à la norme ANSI Z21.58 pour Appareils de cuisson au gaz d'extérieur, Section 1.7 Enceintes pour systèmes autonomes d'alimentation en gaz de pétrole liquéfié.

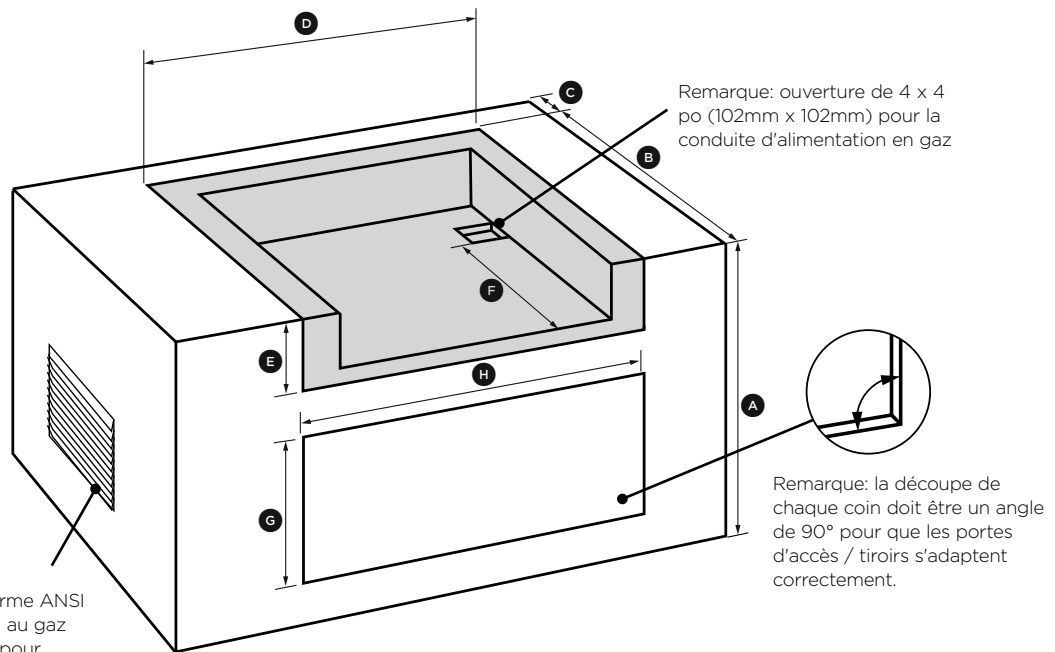
FIG. 05

DIMENSIONS DU CAVITÉ	BE1-48R	BE1-36R
	Pouces (mm)	Pouces (mm)
Ⓐ Hauteur maximale de la coque de l'enceinte	35 ½ (902mm)	35 ½ (902mm)
Ⓑ Profondeur de l'enveloppe de l'enceinte	22 ¾ (578mm)	22 ¾ (578mm)
Ⓒ Profondeur minimale pour l'oscillation du couvercle	3 ¾ (95mm)	3 ¾ (95mm)
Ⓓ Largeur de la cavité de l'enceinte	45 ¾ (1162mm)	34 ½ (876mm)
Ⓔ Hauteur de la cavité de l'enceinte	10 ⅛ (257mm)	10 ⅛ (257mm)
Ⓕ Profondeur à l'ouverture d'alimentation en gaz	18 ½ (470mm)	18 ½ (470mm)
Ⓖ Hauteur de l'ouverture pour les portes d'accès / tiroirs	20 (508mm)	20 (508mm)
Ⓗ Largeur d'ouverture pour portes d'accès / tiroirs	46 (1168mm)	34 (864mm)

INSTALLATION

Détails de construction intégrés

Disposition standard pour la cavité comprenant la veste isolée



Remarque: reportez-vous à la norme ANSI Z21.58 pour Appareils de cuisson au gaz d'extérieur, Section 1.7 Enceintes pour systèmes autonomes d'alimentation en gaz de pétrole liquéfié.

FIG. 06

DIMENSIONS DU CAVITÉ	BE1-48R	BE1-36R
	Pouces (mm)	Pouces (mm)
Ⓐ Hauteur maximale de la coque de l'enceinte	35 ½ (902mm)	35 ½ (902mm)
Ⓑ Profondeur de l'enveloppe de l'enceinte	22 ¾ (578mm)	22 ¾ (578mm)
Ⓒ Profondeur minimale pour l'oscillation du couvercle	3 ¾ (95mm)	3 ¾ (95mm)
Ⓓ Largeur de la cavité de l'enceinte	51 ⅝ (1318mm)	40 ½ (1029mm)
Ⓔ Hauteur de la cavité de l'enceinte	11 ⅞ (283mm)	11 ⅞ (283mm)
Ⓕ Hauteur de l'enceinte de l'enceinte	18 ½ (467mm)	18 ½ (467mm)
Ⓖ Hauteur de l'ouverture pour les portes d'accès / tiroirs	20 (508mm)	20 (508mm)
Ⓗ Largeur d'ouverture pour portes d'accès / tiroirs	46 (1168mm)	34 (864mm)

PORTES D'ACCÈS NUMÉRO DE MODÈLE	TIROIRS D'ACCÈS NUMÉRO DE MODÈLE	LARGEUR DE CAVITÉ	HAUTEUR DE LA CAVITÉ
		Pouces (mm)	Pouces (mm)
ADN1-20x48	ADR2-48	46 (1168)	20 (508)
ADN1-20x36	ADR2-36	34 (864)	20 (508)
ADN1-20x30	ADR2-30	28 (711)	20 (508)
ADN1-20x24	ADR2-24	22 (559)	20 (508)

To order access drawers or doors, please visit www.dcsappliances.com for further details.

Branchement du gaz

Exigences concernant le gaz

Vérifiez le type de gaz à utiliser (gaz naturel ou propane) et assurez-vous que les indications figurant sur la plaque signalétique de l'appareil sont conformes à celles de l'alimentation. L'étiquette de la plaque signalétique est située sur le côté inférieur de l'égouttoir. Ne connectez jamais un tuyau à gaz non régulé à l'appareil. Vous devez utiliser le détendeur de gaz fourni avec l'unité, même si l'alimentation est contrôlée.

Un robinet d'arrêt fourni par l'installateur doit être installé dans un endroit facilement accessible. Toutes les pièces fournies par l'installateur doivent être conformes aux codes en vigueur ou, en l'absence de tels codes, à la norme ANSI/NFPA 70 du National Electrical Code (Code national de l'électricité), ou norme ACNOR C22.1 du Code canadien de l'électricité, et norme ANSI Z223.1 du National Fuel Gas Code (Code national de gaz combustible), ou norme CSA-B149.1 du Code d'installation du gaz naturel ou norme CSA-B149.2 du Code d'installation du propane. Au Massachusetts, de tels dispositifs d'arrêt doivent être approuvés par le Board of State Examiners of Plumbers & Gas Fitters.

Tous les produits d'étanchéité utilisés doivent être approuvés et résister aux effets du propane. N'utilisez jamais ces produits sur des raccords évasés. Toutes les connexions de gaz doivent être effectuées par un technicien qualifié conformément aux codes et règlements en vigueur. En l'absence de codes locaux, l'installation doit être conforme à la norme ANSI Z223.1 du National Fuel Gas Code. Les kits de conversion au gaz sont disponibles. Contactez votre Centre de service à la clientèle DCS. Au moment de commander un kit de conversion au gaz, ayez sous la main le numéro de modèle et le type de gaz (naturel ou propane) de votre gril.

Consommation totale de gaz du gril, les brûleurs étant tous sur Hi

BH1-48RGI - 1118,000 Btu/hr or 124.5 Mj/hr BH1-36R - 89,000 Btu/hr or 93.3 Mj/hr L'appareil et son robinet d'arrêt individuel doivent être débranchés du système de tuyauterie d'alimentation en gaz pendant tout test de pression de ce système à des pressions d'essai supérieures à 1/2 PSIG (3,5 kPa). L'appareil doit être isolé de la tuyauterie d'alimentation en gaz système en fermant son robinet d'arrêt manuel individuel pendant tout test de pression du système de tuyauterie d'alimentation en gaz à des pressions d'essai égales ou inférieures à 1/2 PSIG (3,5 kPa). L'installation de cet appareil doit être conforme aux codes locaux ou, en l'absence de codes locaux, au Code national du gaz combustible, ANSI Z223.1 / NFPA 54. L'installation au Canada doit être conforme au Code d'installation du gaz naturel et du propane, CSA B149.1, et / ou le code de stockage et de manipulation du propane, B149.2 et les codes locaux.

Branchement du gaz naturel

(Ceci devrait être effectué par un technicien seulement).

Connexion: 1/2 "NPT femelle. **Pression de fonctionnement:** 4.0 "C.E. **Pression d'alimentation:** 5 "à 14" WC. Si plus de 14 "C.E. un régulateur abaisseur est requis. Vérifiez auprès de votre compagnie locale de distribution de gaz ou des codes locaux pour les instructions sur l'installation des lignes d'alimentation en gaz. Soyez sûr de vérifier sur le type et la taille de la course, et à quelle profondeur pour enterrer la ligne. Si la conduite de gaz est trop petite, la grille ne fonctionnera pas correctement. Tout produit d'étanchéité utilisé doit être approuvé et résister aux actions des gaz propulseurs.

Pour connecter les raccords fournis avec le gril

Assemblez comme indiqué (Fig. 07). Utilisez le composé à enfiler uniquement sur les filetages mâles. Utilisez une seconde clé à tube pour maintenir le tuyau d'entrée du gril afin d'éviter de déplacer les conduites de gaz internes du gril. Assurez-vous que la flèche du régulateur pointe dans la direction du flux de gaz vers l'unité, loin de l'alimentation. N'oubliez pas de placer la vanne de gaz fournie par l'installateur dans un endroit accessible.

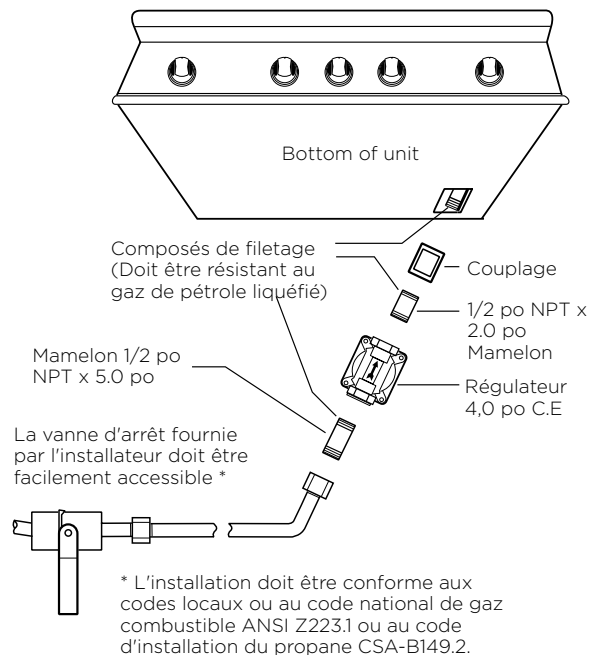


FIG. 07 Gaz naturel

INSTALLATION

Branchement de gaz

Si vous avez l'intention d'installer cette grille sur un chariot, vous devez utiliser un kit de stabilisation de chariot DCS (référence 591604), disponible sur www.dcsappliances.com

Raccordement de chariot LP

Les grils conçus pour être utilisés avec du gaz de pétrole liquéfié sont munis d'un ensemble tuyau / régulateur de grande capacité pour le raccordement à une bouteille de GPL standard de 20 lb (type 1). Le réservoir de GPL n'est pas inclus. Système de gril, est testé d'étanchéité. Ne retirez pas l'ensemble régulateur / tuyau du gril pendant l'installation du chariot.

Connexion: Tuyau LP avec un déconnexion rapide et un régulateur de type 1 inclus. **Pression de fonctionnement:** 11,0 po C.E. Remarque: tous les tuyaux et raccords de gaz doivent être conformes à la norme ANSI Z21.75 / CSA 6.27 relative aux connecteurs pour appareils au gaz et aux maisons usinées.

Pour raccorder l'ensemble régulateur / flexible LP à l'ensemble réservoir / vanne, assurez-vous d'abord que la vanne principale du réservoir est complètement fermée. Bien que le débit de gaz soit arrêté lorsque le système Type 1 est déconnecté dans le cadre de sa fonction de sécurité, éteignez toujours la vanne principale du réservoir de GPL (Figure 08) après chaque utilisation et pendant le transport du réservoir ou de l'unité. Insérez l'entrée du régulateur dans la valve du réservoir et tournez-la vers le coupleur noir dans le sens des aiguilles d'une montre jusqu'à ce que le coupleur se resserre. Ne serrez pas trop le coupleur. Ouvrez la soupape du réservoir principal et tournez les soupapes de commande du brûleur de l'unité sur la position «HI» pendant environ 20 secondes pour permettre à l'air du système de purger. Éteignez les vannes et attendez cinq minutes avant d'essayer d'allumer les brûleurs.

Pour déconnecter le coupleur, assurez-vous d'abord que la valve du réservoir principal est éteinte. Saisissez le coupleur et tournez dans le sens contraire des aiguilles d'une montre. L'entrée se désengagera alors. Retirez l'entrée de l'ouverture de la soupape du réservoir si cela n'a pas déjà été fait lors du désengagement. Votre station-service LP locale doit être équipée de l'équipement approprié pour remplir votre réservoir.

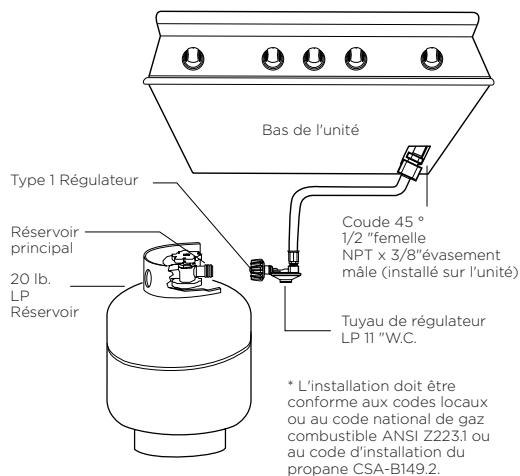


FIG. 08 LP Gaz - Chariot

IMPORTANT!

- **Avant de raccorder le réservoir de GPL au régulateur, vérifiez que tous les brûleurs du gril, les fumoirs et les robinets du tournebroche sont en position OFF et que le couvercle du barbecue est ouvert.**
- **Ne placez pas le gril directement sur le sol ou toute autre surface plane sans support. Cela évitera d'endommager l'ensemble régulateur / flexible par le poids du gril.**
- **Vérifiez que le tuyau, le régulateur et les connecteurs ne sont pas endommagés. Recherchez les fissures, les abrasions, la fragilité, les trous, les bosses et les entailles.**
- **Ne tentez pas d'enlever, de réparer ou de remplacer le régulateur / le tuyau par vous-même. Cela doit être fait par un technicien qualifié seulement.**

Exigences du réservoir de GPL

Un réservoir de GPL bosselé ou rouillé peut être dangereux et doit être vérifié par votre fournisseur de GPL. Le cylindre utilisé doit avoir un collier pour protéger la valve du cylindre. N'utilisez jamais un cylindre avec une valve endommagée. Toujours vérifier les fuites après chaque changement de réservoir de GPL. La bouteille de GPL doit être construite et marquée conformément aux spécifications des bouteilles de GPL du ministère des Transports des États-Unis (DOT ou CAN / CSA-B339) et conçue pour être utilisée avec un système de type 1 seulement. Ne remplacez pas l'ensemble régulateur / flexible par celui fourni avec l'unité ou n'essayez pas d'utiliser un ensemble régulateur / flexible équipé de type 1 avec un ensemble réservoir / vanne 510 POL standard. La bouteille doit être munie d'une soupape d'arrêt se terminant par une sortie de soupape de bouteille d'alimentation en GPL spécifiée, selon le cas, pour la connexion de type 1. Si l'appareil est entreposé à l'intérieur, la bouteille doit être déconnectée et retirée de l'appareil. Les bouteilles doivent être entreposées à l'extérieur dans un endroit bien ventilé hors de la portée des enfants.

Branchement de gaz

Branchement intégré LP

Si le grill doit être installé dans une application intégrée, le grill doit être installé conformément aux directives d'installation intégrées et l'ensemble régulateur / tuyau flexible doit être retiré du produit.

Connexion: Tuyau LP avec un déconnexion rapide et un régulateur de type 1 inclus. **Pression de fonctionnement:** 11.0 po C.E. Tous les tuyaux et raccords de gaz doivent être conformes à la norme ANSI Z21.75 / CSA 6.27 pour les raccords pour appareils à gaz extérieurs et les maisons préfabriquées.

Remarque: lorsqu'une unité LP est directement connectée à un système LP, vous devez suivre les consignes de branchement au gaz naturel.

Si vous avez l'intention de faire fonctionner votre barbecue intégré avec du gaz de pétrole liquéfié à l'aide d'un cylindre de 20 lb-pi de type 1, un dispositif de retenue de réservoir PL intégré doit être installé avant la première utilisation du barbecue. L'installateur doit fournir un tuyau flexible ID 1/2 et un tuyau fixe ainsi qu'un adaptateur d'évasement comme indiqué à la figure 09. L'installateur doit fournir le régulateur de gaz approprié pour réduire la pression du gaz à 11 po C.E.

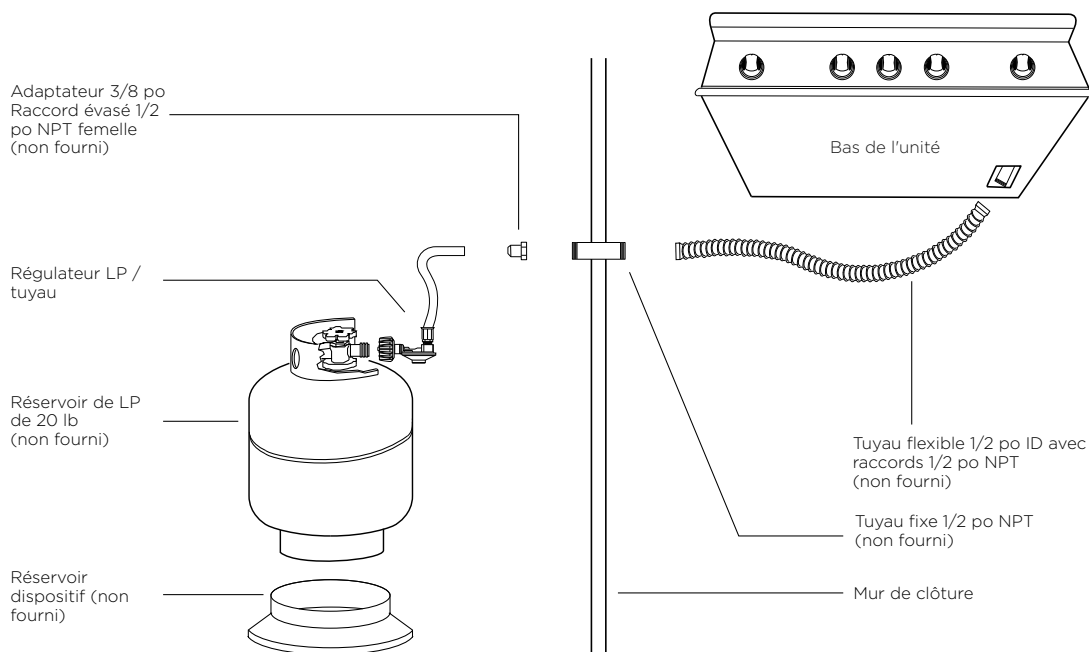


FIG. 09 LP Gaz - Intégré

IMPORTANT!

La tuyauterie de gaz et les connecteurs doivent être serrés dans l'enceinte pour éviter tout contact avec les pièces mobiles et les surfaces chaudes. Lorsque la tuyauterie de gaz traverse une ouverture dans l'enceinte, la tuyauterie doit être protégée sur une distance d'au moins 2 "(50 mm) de chaque côté de l'ouverture.

Test de fuite

IMPORTANT!

Les tests de fuite de gaz doivent être effectués par un technicien qualifié.

Général

Bien que toutes les connexions de gaz sur le gril soient testées en usine avant l'expédition, un contrôle complet du gaz doit être effectué sur le site d'installation en raison d'une mauvaise manipulation lors de l'expédition ou d'une pression excessive appliquée à l'unité sans le savoir. Vérifiez régulièrement l'étanchéité de l'ensemble du système ou vérifiez immédiatement si l'odeur de gaz est détectée.

Avant de tester

Ne pas fumer pendant les tests d'étanchéité. Éteignez toutes les flammes nues. Ne jamais tester les fuites avec une flamme nue.

Faire une solution savonneuse d'une partie de détergent liquide et une partie d'eau. Vous aurez besoin d'un flacon pulvérisateur, d'une brosse ou d'un chiffon pour appliquer la solution aux raccords. Pour les unités LP, vérifiez avec un cylindre plein. Le panneau de soupape doit être retiré pour vérifier les soupapes et les raccords. Retirez les boutons et le bouton de la soupape de sécurité, puis retirez les deux vis qui fixent le panneau de soupape à l'unité (vous aurez besoin d'un tournevis Philips pour cela). Tirez le panneau de la valve vers l'extérieur et débranchez les fils du module d'allumage. À l'arrière de l'appareil, retirez les vis qui maintiennent le panneau de service en place. Retirez le panneau de service.

Tester

Assurez-vous que toutes les vannes de contrôle sont dans la position "OFF". Activez l'alimentation en gaz. Vérifiez toutes les connexions à partir de la ligne d'alimentation ou de la bouteille de propane jusqu'à l'ensemble tuyau inclus. Appliquez la solution de savon autour de la connexion, de la vanne, du tube et de l'extrémité du collecteur. Évitez d'appliquer la solution savonneuse sur ou dans les commutateurs de vanne. Des bulles de savon apparaîtront lorsqu'une fuite est présente. En cas de fuite, couper immédiatement l'alimentation en gaz, serrer les raccords qui fuient, allumer le gaz et revérifier. Vérifiez toutes les connexions de gaz à la base des soupapes de contrôle où elles se vissent dans le tuyau du collecteur.

Pour vérifier le brûleur de la rôtissoire et la soupape de sécurité, le brûleur doit être allumé, puis vérifiez les connexions situées derrière le panneau de service. Si vous ne pouvez pas arrêter une fuite de gaz, fermez l'alimentation en gaz et appelez votre fournisseur de gaz local ou le revendeur auprès duquel vous avez acheté l'appareil. Seules les pièces recommandées par le fabricant doivent être utilisées sur le gril. La substitution peut annuler la garantie.

IMPORTANT!

- **N'utilisez pas le gril tant que toutes les connexions n'ont pas été vérifiées et ne fuient pas.**
- **Vérifiez tous les raccords d'alimentation en gaz pour les fuites avant chaque utilisation. Gardez un flacon pulvérisateur d'eau savonneuse près de la vanne d'arrêt d'alimentation en gaz. Vaporiser tous les raccords, les bulles indiquent des fuites.**

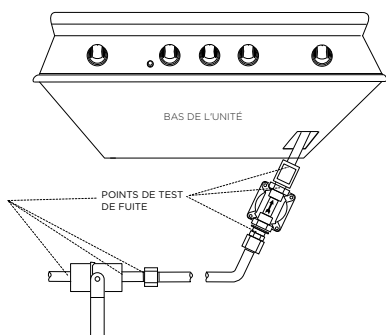


FIG. 10 Nat. Gas

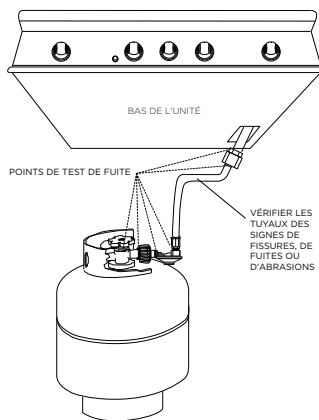


FIG. 11 LP Gas - Cart

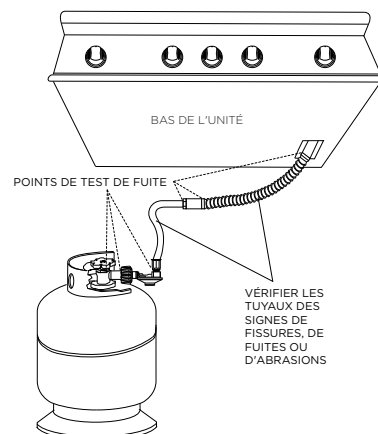


FIG. 12 LP Gas - Built-in

Raccordement électrique

Tous les appareils sont fournis avec un transformateur d'alimentation 12 V permettant le fonctionnement du dispositif d'allumage et des fonctions d'éclairage des boutons. Le transformateur est dissimulé dans un boîtier avec un cordon d'alimentation électrique raccordé.

Exigences électriques

Utilisez uniquement un circuit protégé par un disjoncteur différentiel de fuite à la terre (DDFT) avec ce produit.

Une prise électrique 120 V CA 15 A extérieure avec DDFT doit être installée par un électricien qualifié à l'intérieur de l'enceinte pour les appareils encastrés, ou à proximité du lieu d'utilisation pour un appareil non encastré. Pour les produits encastrés, le transformateur 12 V fourni doit être raccordé pendant l'installation.

Installation

Le transformateur doit être fixé sous le produit, dans un emplacement sec et éloigné de toute chaleur excessive. Assurez-vous de prévoir un accès adéquat pour faciliter l'entretien si le transformateur ou les raccordements devaient nécessiter des travaux de maintenance. Pour les modèles avec connecteur à 2 broches, il est possible de raccorder plusieurs produits DCS de Série 9 à un seul transformateur en se procurant et installant un séparateur d'alimentation approuvé par DCS.

Halos de boutons

Lorsqu'un bouton est en cours d'utilisation, un halo orange s'allume autour de ce bouton. Il passe d'orange à blanc si le bouton est tourné à la position off (ARRÊT), mais qu'un autre bouton demeure activé. Si tous les boutons sont tournés à la position OFF (ARRÊT), tous les halos sont atténués. Il est possible de relier plusieurs produits DCS de Série 9 afin de permettre l'illumination de halos entre les différents produits.

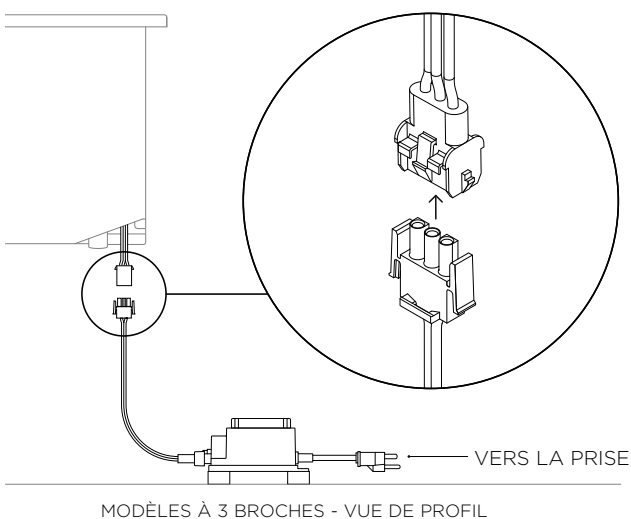
Liaison de modèles avec connecteur à 3 broches

Un ensemble d'interconnectivité DCS approuvé est requis pour l'utilisation de cette fonctionnalité.

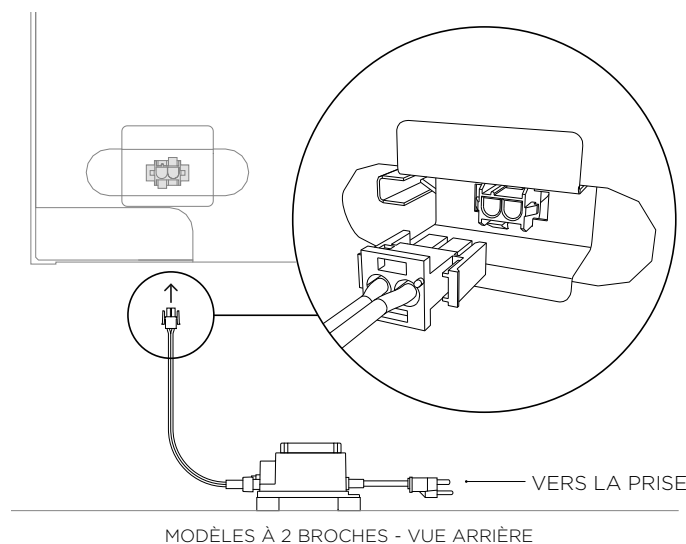
Liaison de modèles avec connecteur à 2 broches

L'ensemble de mise à niveau, l'ensemble d'interconnectivité et le séparateur d'alimentation DCS sont disponibles séparément auprès de votre détaillant DCS local. L'ensemble de mise à niveau doit être installé par un technicien de service formé et supporté par Fisher & Paykel.

Modèles avec connecteur à 3 broches



Modèles avec connecteur à 2 broches



Si le dispositif d'allumage ou les halos de boutons ne fonctionnent pas, il est possible qu'un branchement se soit desserré lors de l'expédition ou que le DDFT se soit déclenché et nécessite un réenclenchement. Reportez-vous à la section de dépannage de votre guide d'utilisation pour davantage d'instructions.

Réglage du brûleur

IMPORTANT!

Avant d'allumer, inspectez la tuyauterie d'alimentation en gaz ou le tuyau avant d'allumer le gaz. S'il y a des signes de coupures, d'usure ou d'abrasion, il faut le remplacer avant de l'utiliser.

Réglage de l'air du brûleur du grill

Chaque brûleur de grill est testé et réglé en usine avant l'expédition; cependant, des variations de l'alimentation locale en gaz ou une conversion d'un gaz à un autre peuvent rendre nécessaire l'ajustement des brûleurs. Les flammes des brûleurs (à l'exception du brûleur de la rôtissoire) doivent être vérifiées visuellement et comparées à celles du dessin de la figure 14. Les flammes doivent être bleues et stables, sans pointes jaunes (les unités LP peuvent avoir une pointe jaune), un bruit excessif ou un soulèvement. Si l'une de ces conditions existe, vérifiez si les orifices du volet d'air ou du brûleur sont obstrués par de la saleté, des débris, des toiles d'araignées, etc. Si les orifices du brûleur et le volet d'air n'améliorent pas les performances, vous pouvez modifier le réglage. La quantité d'air qui entre dans un brûleur est régie par une coupelle métallique à l'entrée du brûleur appelée volet d'air. Il est bloqué par une vis qui doit être desserrée avant d'allumer le brûleur pour le réglage.

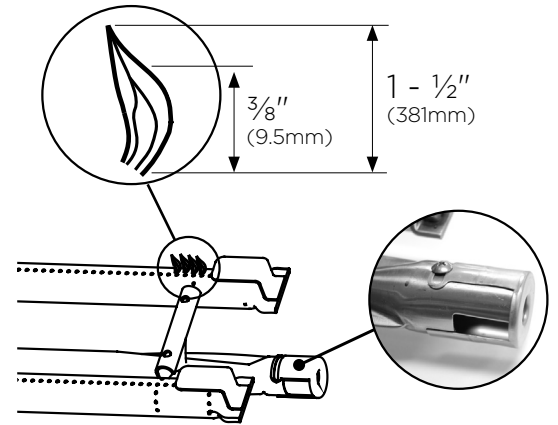


FIG. 14 Burner Flame Height

Hauteur de la flamme du brûleur

Avant de commencer, assurez-vous que le grill est éteint et refroidi. Pour accéder aux volets d'air du brûleur du grill, retirez d'abord les grilles et les radiants de la chambre de combustion, puis retirez le brûleur en suivant les instructions de la page 41. Avec un tournevis, desserrez la vis de obturateur d'air légèrement de sorte que l'obturateur d'air puisse être ajusté.

Ajuster

- ① Faites attention car le brûleur peut être très chaud.
- ② Si la flamme est jaune, indiquant un manque d'air, tournez l'obturateur d'air dans le sens antihoraire pour permettre plus d'air au brûleur.
- ③ Si la flamme est bruyante et a tendance à se détacher du brûleur, indiquant trop d'air, tournez le volet d'air dans le sens des aiguilles d'une montre.

Remarque: réinstallez le brûleur en U, en vous assurant que le brûleur est de niveau. Allumez le brûleur et vérifiez la flamme. Si la couleur de la flamme est bleue et que la hauteur est stable, retirez le brûleur et serrez la vis de l'obturateur d'air. Si les flammes montrent une instabilité ou une couleur incohérente, répétez la procédure ci-dessus pour réajuster l'obturateur d'air.

Réglage de la flamme faible

Les vannes sur le grill disposent d'un réglage bas réglable. En raison des fluctuations de la pression du gaz, de la valeur de chauffage ou de la conversion du gaz, vous pouvez ressentir le besoin d'augmenter ou de diminuer le débit de gaz en position basse. Nous ne recommandons pas de régler le brûleur de la rôtissoire infrarouge.

Ajuster

- ① Allumez le brûleur.
- ② Tournez le bouton de commande au réglage le plus bas (dans le sens inverse des aiguilles d'une montre).
- ③ Retirez le bouton.
- ④ Tout en maintenant l'arbre de la vanne avec une pince, insérez un tournevis à pointe plate et mince dans l'arbre et, tout en regardant le brûleur, réglez à une flamme stable minimum.

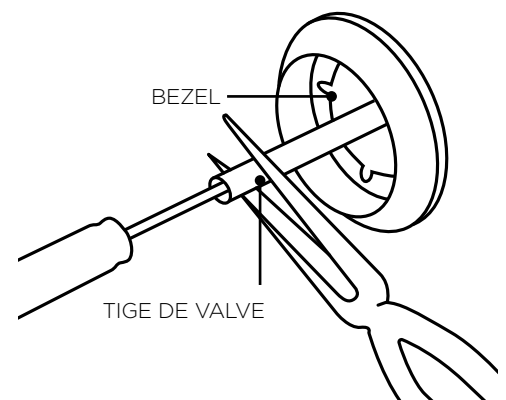
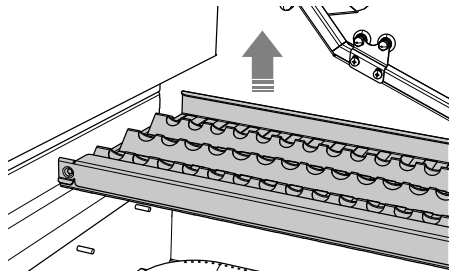


FIG. 15 Low setting adjustment

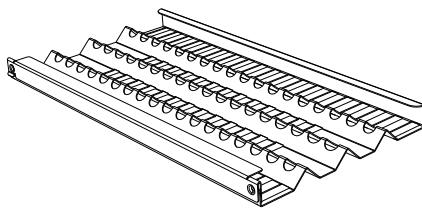
Assemblée radiante

IMPORTANT!

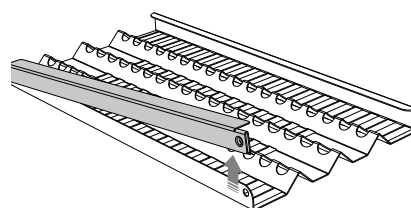
Avant d'assembler le radiant, vérifiez que les plateaux radiants n'ont pas bougé pendant le transport. Ils devraient s'asseoir solidement sur leurs goupilles de positionnement dans la base du grill.



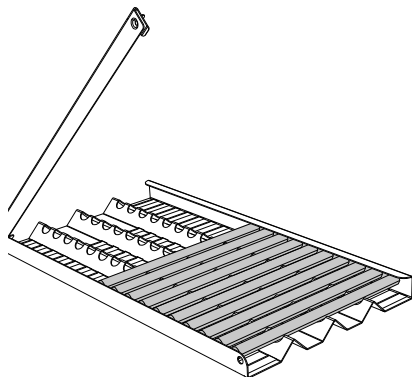
① Localisez le radiant dans l'unité.



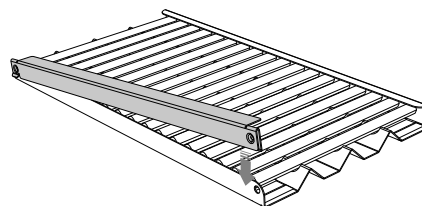
② Déballez les tiges en céramique et retirez le radiant de l'appareil.



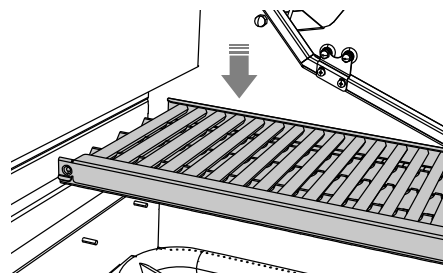
③ Déverrouillez le couvercle du radiant en le poussant de deux doigts



④ Placez les 18 tiges de céramique sur le radiant.



⑤ Verrouillez le couvercle du radiant



⑥ Placez le radiant assemblé dans l'appareil

Si une tige en céramique se casse

- ① Déverrouiller le capuchon radiant en le poussant avec deux doigts ou en utilisant une pince.
- ② Remplacez la tige en céramique brisée.
- ③ Verrouillez le couvercle du radiant.

INSTALLATION

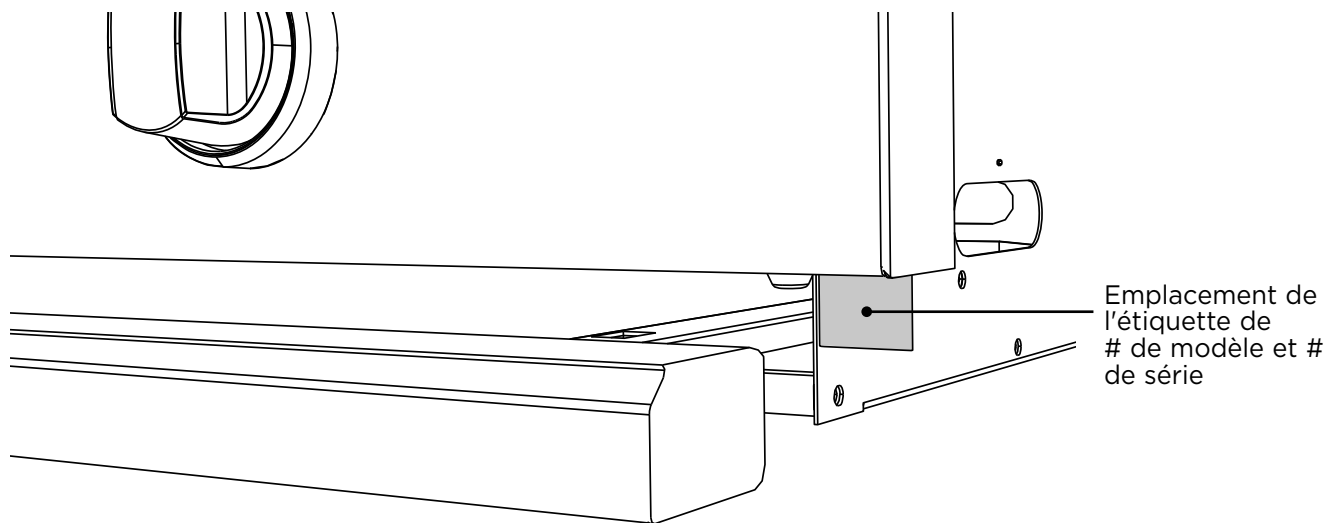
✓ Liste de vérification

- | | | |
|---|---|---|
| <input type="checkbox"/> Dégagements spécifiés maintenus aux combustibles. | <input type="checkbox"/> Chaque brûleur s'allume de manière satisfaisante, individuellement ou avec le brûleur adjacent allumé. | <input type="checkbox"/> Tous les radiants sont assemblés et mis en place. |
| <input type="checkbox"/> Ventilation correcte de l'enceinte. | <input type="checkbox"/> Volets d'air ajustés. | <input type="checkbox"/> Utilisateur informé du gaz
Emplacement de la vanne d'arrêt d'alimentation |
| <input type="checkbox"/> Tous les emballages internes et tous les résidus d'adhésif enlevés. Pour éliminer les résidus tenaces, utilisez de l'alcool à friction ou un dissolvant d'adhésif disponible dans le commerce. | <input type="checkbox"/> Réglage de la flamme faible satisfaisant. | <input type="checkbox"/> Vérifiez l'éclairage de match. |
| <input type="checkbox"/> Support d'expédition enlevé | <input type="checkbox"/> Drip pan en place correctement et glisser librement. | <input type="checkbox"/> L'éclairage interne fonctionne correctement. |
| <input type="checkbox"/> Les boutons tournent librement, les lunettes sont centrées. | <input type="checkbox"/> Régulateur de pression connecté et réglé pour 4" C.E. Naturel, 11" C.E. GPL. | <input type="checkbox"/> Le transformateur est rangé et monté solidement, dans un endroit approprié. |
| <input type="checkbox"/> L'éclairage de la lunette fonctionne correctement. | <input type="checkbox"/> Vanne d'arrêt manuelle installée et accessible. | |
| | <input type="checkbox"/> Unit tested and free of leaks. | |

S'il vous plaît laissez ces instructions avec l'utilisateur.

Veillez conserver ces instructions pour référence future.

Contactez DCS à l'adresse www.dcsappliances.com si l'un des éléments répertoriés est manquant. Veuillez vous préparer avec le numéro de modèle, le numéro de série et la description des articles manquants.



IMPORTANT!

Lisez toutes les instructions d'installation de ce manuel pour voir si l'unité a été correctement installée. Assurez-vous que l'installation a été effectuée correctement avant utilisation.

Instructions d'éclairage

Instructions d'allumage du gril

IMPORTANT!

Ouvrez le couvercle du gril avant de l'allumer. Tournez tous les boutons sur «OFF». Activez l'alimentation en gaz principale. Si vous sentez une odeur de gaz, coupez l'alimentation en gaz et appelez le service à la clientèle.

Si vous appuyez sur le bouton du brûleur, l'allumeur du gril sera activé, puis en tournant le bouton de la position «OFF», le gaz circulera vers le brûleur.

L'allumeur de gril s'allume en orange, mais il n'y aura pas de déclic lors de l'allumage. Ouvrez complètement le capot du barbecue. Enfoncez et maintenez le bouton du brûleur sélectionné pendant deux secondes. Vérifiez que l'allumeur à surface chaude est allumé. Tournez le bouton du brûleur sur la position "SEAR". Relâchez le bouton lorsque le brûleur s'allume. Si le brûleur ne s'allume pas dans les quatre à cinq secondes, tournez le bouton «OFF» et attendez cinq minutes avant d'essayer à nouveau afin que tout gaz accumulé puisse se dissiper.

Éclairage de match de gril

Si le brûleur ne s'allume pas après plusieurs tentatives, le brûleur peut s'allumer. Si vous avez essayé d'allumer le brûleur avec le contact, attendez cinq minutes pour que tout gaz accumulé se dissipe. Gardez votre visage le plus loin possible de l'appareil extérieur et tenez une allumette en papier par-dessus le trou situé en haut à gauche pour le brûleur à gauche ou le trou droit pour le brûleur droit (Fig. 16). Poussez et tournez le bouton de commande centré sur le brûleur où se trouve l'allumette allumée, pour "SEAR". Si le brûleur ne s'allume pas dans les quatre à cinq secondes, fermez le bouton, attendez cinq minutes et réessayez.

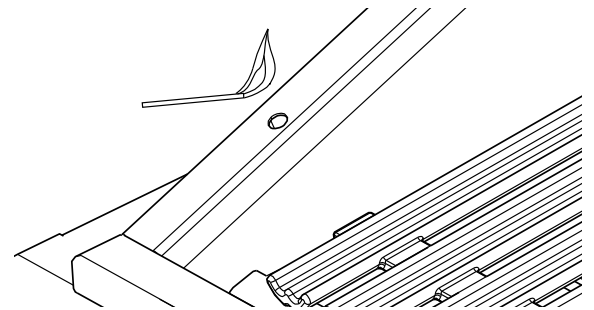


FIG. 16

Des procédures d'éclairage inadéquates peuvent entraîner l'activation du contrôle du débit du réservoir de GPL, ce qui réduit la production de chaleur. Si cela est suspecté, le contrôle de flux devra être réinitialisé.

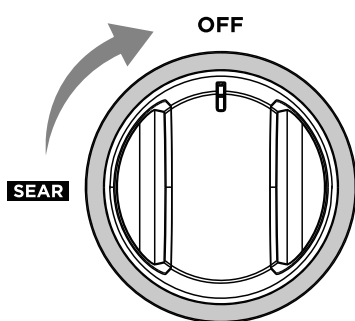
Consultez le Guide de démarrage rapide pour savoir comment utiliser la plaque de cuisson et le brûleur hybride infrarouge.

Reportez-vous à la section Dépannage si vous rencontrez des difficultés pour allumer votre gril.

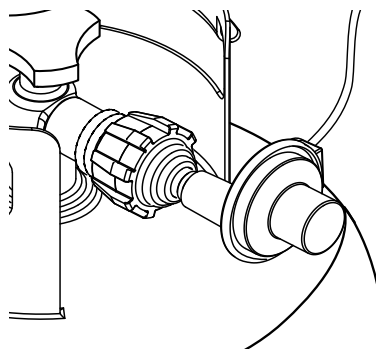
Réinitialiser le contrôle de flux

IMPORTANT!

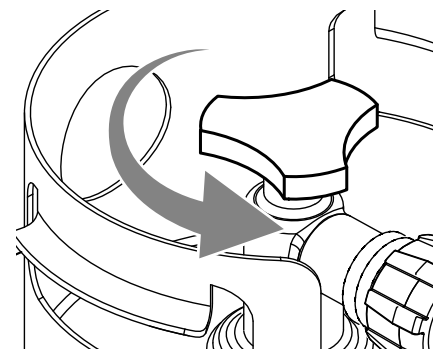
Le non-respect des étapes dans l'ordre indiqué peut entraîner l'activation du limiteur de débit, ce qui entraîne un débit de gaz extrêmement faible et un fonctionnement irrégulier



① Tous les boutons doivent être en position OFF.



② Fixez l'ensemble du tuyau du régulateur au réservoir.



③ Ouvrez la vanne du réservoir de GPL. (Deux tours complets min).

Grillage

Gril

Chaque section du gril consiste en un gros brûleur en acier inoxydable, une série d'écrans thermiques en acier inoxydable, une série de tiges en céramique encastrées dans une radiant en acier inoxydable, et une grille adiatthermique en acier inoxydable. Chaque brûleur est prévu pour 25 000 BTU/hr or 26.3MJ/h. Sous chaque brûleur se trouve un écran thermique en acier inoxydable qui réfléchit la chaleur utile vers le haut, vers la zone de cuisson, et réduit la température du ramasse-gouttes vers le bas. Au-dessus des brûleurs se trouvent des radiants en acier inoxydable qui entourent les tiges en céramique et protègent les ports du brûleur de tout blocage potentiel (fig. 17).

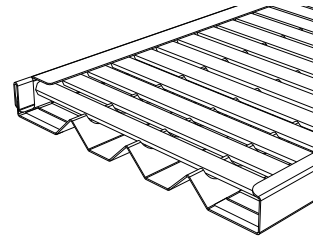


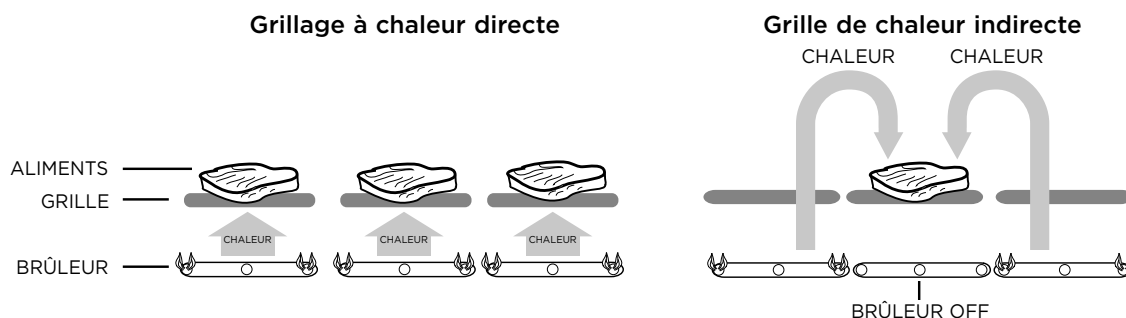
FIG. 17

Le gril est livré avec des tiges en céramique. Du fait de la porosité des tiges en céramique, leur rendement est meilleur car elles peuvent mieux capturer la chaleur émanant des brûleurs du gril. Les tubes possèdent aussi la masse thermique nécessaire pour assurer une performance de cuisson uniforme. Les éruptions de flammes sont contrôlées du fait que les tiges en céramique rayonnantes empêchent la graisse d'atteindre les flammes et de prendre feu. La chaleur intense engendrée par ce système produit une vraie saveur de grillade car les matières grasses et les jus sont amenés à la surface des aliments et caramélisés. La décoloration des grille est normale après utilisation.

Remarques sur la cuisson directe/indirecte

La cuisson directe implique de place les aliments sur les grilles sur les brûleurs allumés. Utilisez cette méthode pour les aliments qui prennent moins de 20 minutes à cuire ou pour saisir des aliments plus gros au début de la cuisson qui seront alors cuits indirectement pour finir. Placez les aliments sur la surface préchauffée et laissez-les jusqu'à ce qu'ils ne collent plus. Les retourner trop tôt ou trop souvent est l'une des erreurs de gril les plus courantes. Ne vaporisez jamais d'eau sur le gril ou dans la graisse. Le Grease Management System™ (Système de gestion de graisse) breveté réduit les flammes en canalisant la graisse à l'écart de la flamme. Utilisez une thermomètre pour viande pour obtenir la cuisson désirée et retirez les aliments un degré inférieur à la manière dont vous les appréciez étant donné que la période de repos avant de découper ou de consommer augmentera la température.

La méthode de cuisson indirecte est une alternative répandue par rapport à la méthode directe. Elle consiste à utiliser la chaleur provenant des brûleurs adjacents pour cuire les aliments, ce qui évite souvent de les cuire ou braiser excessivement. Les aliments les plus appropriés pour ce type de cuisson comprennent les pains et les morceaux plus épais de poulet ou de steak. La cuisson indirecte implique de placer les aliments sur les grilles lorsque les brûleurs en dessous ne sont pas allumés et de fermer le couvercle du gril pour créer un effet de four. Tous les aliments que vous rôtissez normalement au four peuvent être grillés à perfection avec la méthode de chauffage indirect. Préchauffez les brûleurs entourant les aliments à cuire. Utilisez le gril pour maintenir les aliments et ajoutez de l'eau ou du bouillon de poule dans le plat pour empêcher les jus naturels de brûler ou de s'évaporer.



IMPORTANT!

- **Traiter les grilles avant la première utilisation, puis périodiquement si nécessaire. Ce sera de les protéger contre corrosion et aider à arrêter de coller alimentaire.**
- **Pour traiter les grilles, versez une cuillère à soupe d'huile végétale sur un chiffon doux et frottez les deux côtés des grilles. Il suffit d'un léger film et de la fumée risque d'être visible pendant le préchauffage. La cuisson sur gril exige un feu vif pour rôtir les aliments et les braiser correctement. La plupart des aliments sont cuits à feu « MEDIUM » à « LOW » pendant tout le temps de cuisson. Cependant, pour griller de gros morceaux de viande ou de volaille, il peut s'avérer nécessaire de baisser le feu après le braisage initial. Cela permet de cuire la nourriture sans en brûler l'extérieur. Pour les aliments cuits pendant une longue durée ou arrosés d'une marinade sucrée, il est bon de réduire le feu vers la fin du temps de cuisson.**

UTILISER LE GRIL

Grillage

Cuisson secondaire

Deux grilles et un plateau ont été prévus pour la cuisson secondaire. Ceux-ci peuvent être utilisés pour réchauffer, fumer, rôtir ou faire cuire lentement des aliments. Avant d'utiliser les surfaces de cuisson secondaires avec le couvercle du barbecue, veillez à ce que la hauteur et la largeur des aliments ou des poêles ne soient pas excessives. Lors de la fermeture du couvercle, il est possible que des aliments ou des casseroles soient délogés si ces articles sont trop gros. 20lbs est le poids maximum de nourriture qui devrait être placé dans la zone de cuisson secondaire.

Les grilles de cuisson secondaires et le plateau peuvent être placés dans quatre positions possibles. Lorsque vous insérez les grilles et les plateaux au-dessus du gril, ils s'enclenchent.

Remarque: tous les plateaux et supports sont lavables au lave-vaisselle.

IMPORTANT!

N'utilisez pas le brûleur de la rôtissoire lorsque les grilles de cuisson secondaires ou les plateaux sont en place. Avant d'utiliser le brûleur de la rôtissoire, assurez-vous que ces grilles et plateaux sont retirés.

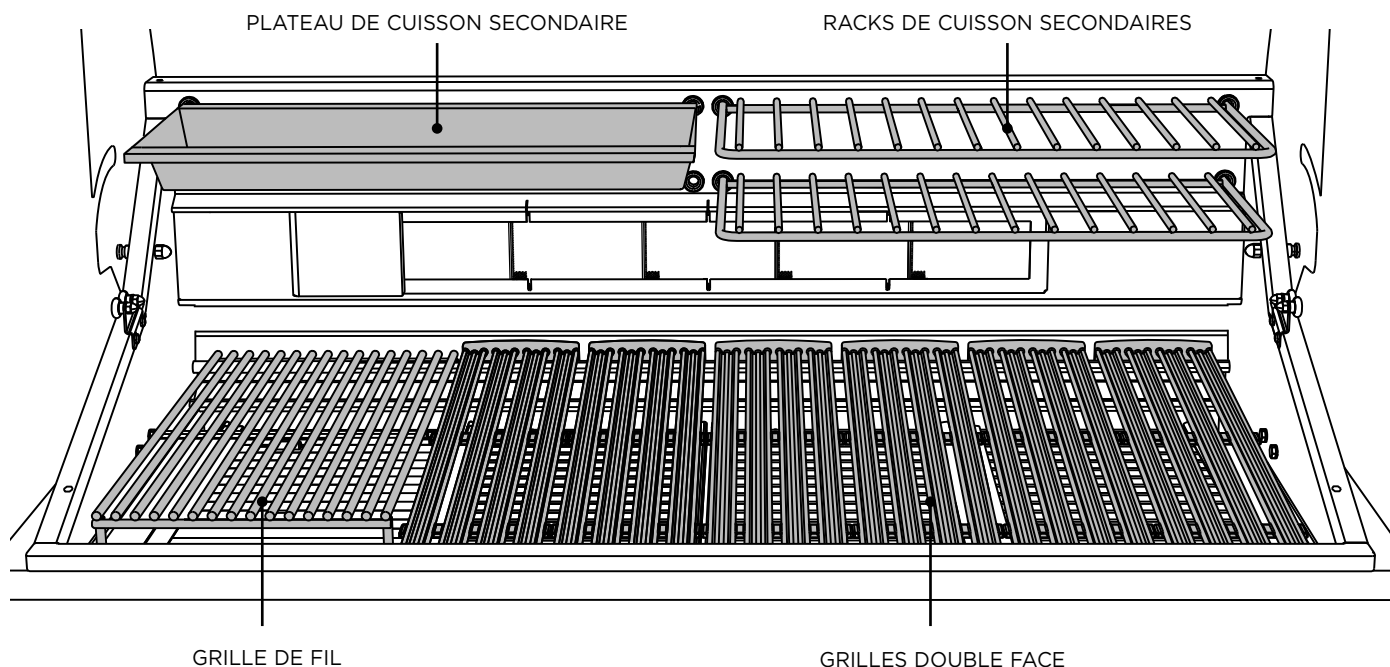


FIG. 18

Éclairage interne

Le grill a un éclairage interne, pour savoir comment remplacer les ampoules, consultez la section Entretien et maintenance. Les ampoules de rechange ne sont pas couvertes par la garantie.

Halo éclairage

Pour plus de sécurité, le barbecue est équipé d'un éclairage halo. Lorsque le grill est allumé, le halo devient blanc (Fig. 19), quand un bouton est tourné de la position 'OFF', le halo devient orange (Fig. 20).

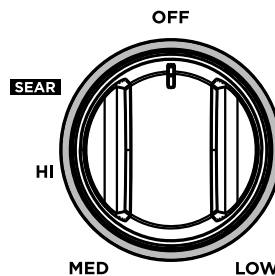


FIG. 19 Halo Blanc

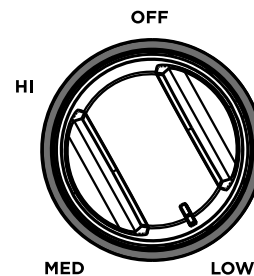


FIG. 20 Halo Orange

Grillage

- ① Vérifiez que le ramasse-gouttes et le récipient à graisse sont en place.
- ② Allumez les brûleurs du gril en suivant les instructions d'allumage.
- ③ Une fois que vous avez vérifié que les brûleurs sont allumés, mettez le couvercle vers le bas pour préchauffer pendant cinq à dix minutes.
- ④ Placer la nourriture sur le gril et cuire à la cuisson désirée. Ajuster le réglage de la chaleur, si nécessaire. Le bouton de commande peut être réglé sur n'importe quelle position entre "SEAR" et "LOW"
- ⑤ Lorsque vous avez fini d'utiliser le gril, tournez les boutons de commande sur "OFF" et coupez l'alimentation principale en gaz.
- ⑥ Laissez le gril refroidir et nettoyez les grilles, la lèchefrite et le bac à graisse après chaque utilisation.

Remarque: si vous utilisez du propane, le temps de préchauffage peut être plus court que celui recommandé. Pour éviter de trop cuire ou de brûler les aliments, réduisez le feu.

Utilisation de la jauge de température

Lorsque vous préchauffez le gril, utilisez la jauge de température dans le couvercle pour vérifier si le gril a atteint le réglage de chaleur désiré.

Remarque: la jauge de température indique seulement la température de l'air à l'intérieur du gril. Pour la sécurité alimentaire et les performances de cuisson optimales, utilisez une sonde à viande pour vérifier la température de la viande pendant la cuisson et pour vous assurer que les températures internes souhaitées sont atteintes.

Grille de fil

Conçu pour être utilisé en conjonction avec le brûleur à charbon, la grille de fil s'ajuste sur le dessus de l'insert pour fournir la surface parfaite pour fumer votre nourriture. Fumez la viande directement sur la grille pour une saveur intense ou utilisez la grille pour tenir un plateau d'eau sous la viande pour aider à égaliser la température et garder la viande humide. Si vous ne souhaitez pas utiliser le brûleur à charbon de bois, la grille de fil est toujours excellente pour les grillades normales.

Remarque: la grille ne peut être utilisée qu'à plat (elle repose sur la tige de support la plus haute à l'arrière du gril, voir page 32, fig. 21).

Grilles à double face

Que vous ou vos invités ayez envie de fruits de mer, de steak ou de légumes, les grilles à double face offrent différentes surfaces pour varier les textures. Le côté en forme de «W» crée de belles lignes de cuisson pour les steaks, le poulet et les côtelettes, et élimine l'huile et la graisse des aliments. Le côté "rayon" opposé offre plus de surface pour le soutien et la manipulation d'objets délicats comme les pétoncles. (Voir ci-dessous pour une liste d'exemples d'aliments à cuire sur quel côté de la grille.) Vous pouvez installer vos grilles, de sorte que les côtés qui sont présentés vers le haut, reflètent vos préférences de cuisson.

GRILLE EN FORME DE "W" 	GRILLE ARONDIE 
• Poulet (morceaux avec os et désossés)	• Filets de poisson délicats
• Steaks	• Chair de homard
• Côtelettes	• Crevette
• Hamburgers	• Coquilles Saint-Jacques
• Côtes	• Palourdes
• Brochettes	• Moules
• Darnes de poisson (thon et espadon par ex.)	• Cochon de lait
• Poisson entier	• Cuisses de dinde
• Gibier	• Cuisson et fumage indirects
• Huîtres	• Pommes de terre
• Grandes tranches de légumes et de champignons	• Petits légumes ou tranches
• Pain	• Ail entier rôti
• Saucisses	• Pâte à pizza et pains plats

UTILISER LE GRIL

Grillage

La cuisson de la viande, qu'elle soit rare, moyenne ou bien faite, peut dépendre de l'épaisseur de la coupe. Le temps de cuisson de la viande dépend du type de viande, de la taille, de la forme et de la coupe ainsi que de la température de la viande au début de la cuisson. Les chefs experts disent qu'il est impossible d'avoir une cuisson rare avec une fine coupe de viande. Lors de la décongélation des viandes, il est recommandé de décongeler pendant la nuit au réfrigérateur plutôt qu'au micro-ondes. Cela garantira que la viande conserve ses jus. Utilisez une spatule à la place d'une pince ou d'une fourchette pour retourner la viande, car une spatule ne perce pas la viande et laisse le jus s'écouler. Pour obtenir les viandes les plus juteuses, ajouter l'assaisonnement ou le sel après la cuisson et retourner la viande une seule fois (les jus sont perdus lorsque la viande est tournée plusieurs fois). Tournez la viande juste après que le jus commence à bouillonner à la surface. Coupez tout excès de graisse de la viande avant de la faire cuire. Pour éviter que les biftecks et les côtelettes ne se fritent pendant la cuisson, coupez la graisse autour des bords à intervalles de deux pouces.

Les coupes, les températures, les poids et les temps de cuisson dans les tableaux suivants sont destinés à servir de guide. Des facteurs environnementaux tels que le vent, la température extérieure et l'altitude peuvent avoir une incidence sur les temps de cuisson et devraient donc être pris en compte. La définition de la cuisson moyenne de l'USDA est utilisée pour les temps de cuisson du bœuf et de l'agneau, sauf indication contraire. Avant de découper, laissez les rôtis et les autres grosses pièces de viande (y compris les steaks épais) reposer pendant 5 à 10 minutes après la cuisson. La température interne augmentera légèrement pendant ce temps.

Pour la cuisson indirecte, nous suggérons de placer la viande dans la zone de cuisson secondaire dans la position inférieure ou supérieure selon la taille et la température désirée.

Tableau de cuisson - Gril principal et insertion de charbon de bois

DU BOEUF:

TYPE D'ALIMENTATION		ÉPAISSEUR	POIDS	MÉTHODE	TEMP CONTRÔLE CADRAN	APPROX TIME (HRS/MINS)
Bifteck	New York Strip	1 po Épais		Direct	Forte Chaleur	6-8 min
	Porterhouse	1 po Épais		Direct	Forte Chaleur	6-8 min
	Rib-Eye	1 po Épais		Direct	Forte Chaleur	6-8 min
	T-Bone	1 po Épais		Direct	Forte Chaleur	6-8 min
Paté de boeuf haché			5 oz	Direct	Moyen Chaleur	8-10 min
Fajitas		3/4 po Épais	3 lb	Direct	Moyen Chaleur	20 min
Côte de doigt			2 lb	Direct/Indirect	Moyen Chaleur	1-2 heures
Pointe de poitrine			3-5 lb	Direct/Indirect	Faible Chaleur	2-3 heures

AGNEAU:

TYPE D'ALIMENTATION		ÉPAISSEUR	POIDS	MÉTHODE	TEMP CONTRÔLE CADRAN	APPROX TIME (HRS/MINS)
Hacher		1 po Épais		Direct	Forte chaleur	6-8 min
Gigot d'agneau rôti			3-7 lb	Direct/Indirect	Faible Chaleur	2-3 heures
Carré d'agneau			1-2 lb	Direct/Indirect	Moyen Chaleur	15-20 min

PORC:

TYPE D'ALIMENTATION		ÉPAISSEUR	POIDS	MÉTHODE	TEMP CONTRÔLE CADRAN	APPROX TIME (HRS/MINS)
Hot-dog			2-4 oz	Direct/Indirect	Moyen Chaleur	5 min
Bratwurst			4 oz Link	Direct/Indirect	Moyen Chaleur	10-15 min
Côtes: Bébé Retour			3-5 lb	Direct/Indirect	Faible Chaleur	3-4 heures
Côtes levées de rechange			3-5 lb	Direct/Indirect	Faible Chaleur	4-6 heures
Boston Butt / épaule			3-7 lb	Direct/Indirect	Faible Chaleur	4-6 heures

Grillage

Tableau de cuisson - Gril principal et insertion de charbon de bois

LA VOLAILLE:

TYPE D'ALIMENTATION		ÉPAISSEUR	POIDS	MÉTHODE	TEMP CONTRÔLE CADRAN	APPROX TIME (HRS/MINS)
Poitrine de poulet	Sans os		6 -7 oz	Direct/Indirect	Moyen Chaleur	10-12 min
Cuisse de poulet	Sans os		3-5 oz	Direct/Indirect	Moyen Chaleur	10-12 min
Poulet Entier			3-5 lb	Indirect/Rotisserie	Moyen Chaleur	1-2 heures
Canard Entier			3-5 lb	Indirect/Rotisserie	Moyen Chaleur	1-2 heures
Dinde Entiere			10-12 lb	Indirect/Rotisserie	Moyen Chaleur	2-3 heures

FRUIT DE MER:

TYPE D'ALIMENTATION		ÉPAISSEUR	POIDS	MÉTHODE	TEMP CONTRÔLE CADRAN	APPROX TIME (HRS/MINS)
Filet de poisson / bifteck:	Flétan	½ -1 po Épais		Direct	Moyen-Forte Chaleur	6-10 min
	Snapper	½ -1 po Épais		Direct	Moyen-Forte Chaleur	6-10 min
	Saumon	½ -1 po Épais		Direct	Moyen-Forte Chaleur	6-10 min
	Loup de mer	½ -1 po Épais		Direct	Moyen-Forte Chaleur	6-10 min
	Espadon	½ -1 po Épais		Direct	Moyen-Forte Chaleur	6-10 min
	Thon	½ -1 po Épais		Direct	Moyen-Forte Chaleur	6-10 min
	Truite	½ -1 po Épais		Direct	Moyen-Forte Chaleur	6-10 min
Crevette			2-4 oz	Direct	Moyen-Forte Chaleur	4-5 min
Poisson entier			3-5 lb	Indirect	Faible-Moyen Chaleur	20-30 min

DES LÉGUMES:

TYPE D'ALIMENTATION		ÉPAISSEUR	POIDS	MÉTHODE	TEMP CONTRÔLE CADRAN	APPROX TIME (HRS/MINS)
Aubergine		1 po Épais Tranches		Direct	Faible-Moyen Chaleur	4-6 min
Asperges		½ po Tige Diamètre		Direct	Faible-Moyen Chaleur	4-6 min
Maïs en épi		Entier		Direct/Indirect	Faible-Moyen Chaleur	20-25 min
Champignon - Portobello		Entier		Direct	Faible-Moyen Chaleur	8-10 min
Oignon		½ po Épais Tranches		Direct	Faible-Moyen Chaleur	10-12 min
Poivrons		Moitié		Direct	Faible-Moyen Chaleur	8-10 min
Patate		½ po Épais Tranches		Direct	Faible-Moyen Chaleur	10-15 min
Tomate		Moitié		Direct	Faible-Moyen Chaleur	4-6 min
Courgette		1 po Épais Tranches		Direct	Faible-Moyen Chaleur	4-6 min
Patate douce		1 po Épais Tranches		Direct	Faible-Moyen Chaleur	10-12 min

FRUIT:

TYPE D'ALIMENTATION		ÉPAISSEUR	POIDS	MÉTHODE	TEMP CONTRÔLE CADRAN	APPROX TIME (HRS/MINS)
Bananes		Moitié		Direct	Faible-Moyen Chaleur	5-6 min
Les pêches		Moitié		Direct	Faible-Moyen Chaleur	6-8 min
Abricots		Moitié		Direct	Faible-Moyen Chaleur	6-8 min
Nectarines		Moitié		Direct	Faible-Moyen Chaleur	6-8 min
Ananas		½ po Épais Tranches		Direct	Faible-Moyen Chaleur	5-6 min

UTILISER LE GRIL

Grillage

Tableau de cuisson - Fumeur

DU BOEUF:

TYPE D'ALIMENTATION	ÉPAISSEUR	POIDS	MÉTHODE	TEMP CONTRÔLE CADRAN	APPROX TIME (HRS/MINS)
Pointe de poitrine		4-6 lb	Indirect	Faible Chaleur	6-8 heures

AGNEAU:

TYPE D'ALIMENTATION	ÉPAISSEUR	POIDS	MÉTHODE	TEMP CONTRÔLE CADRAN	APPROX TIME (HRS/MINS)
Gigot d'agneau rôti		3-7 lb	Direct/Indirect	Faible Chaleur	2-3 heures

PORC:

TYPE D'ALIMENTATION	ÉPAISSEUR	POIDS	MÉTHODE	TEMP CONTRÔLE CADRAN	APPROX TIME (HRS/MINS)
Côtes: Bébé Retour		3-5 lb	Indirect	Faible Chaleur	4-5 heures
Côtes levées de rechange		3-5 lb	Indirect	Faible Chaleur	5-6 heures
Boston Butt / épaule		3-7 lb	Indirect	Faible Chaleur	6-8 heures

POULTRY:

TYPE D'ALIMENTATION	ÉPAISSEUR	POIDS	MÉTHODE	TEMP CONTRÔLE CADRAN	APPROX TIME (HRS/MINS)
Poulet Entier		3-5 lb	Indirect	Faible Chaleur	2-4 heures
Canard Entier		3-5 lb	Indirect	Faible Chaleur	2-4 heures
Dinde Entier		10-12 lb	Indirect	Faible Chaleur	8-10 heures

FRUIT DE MER:

TYPE D'ALIMENTATION	ÉPAISSEUR	POIDS	MÉTHODE	TEMP CONTRÔLE CADRAN	APPROX TIME (HRS/MINS)
Filet de poisson / bifteck:	Saumon	½ -1 po Épais	Indirect	Faible Chaleur	1 heure
	Espadon	½ -1 po Épais	Indirect	Faible Chaleur	1 heure
	Thon	½ -1 po Épais	Indirect	Faible Chaleur	1 heure
	Truite	½ -1 po Épais	Indirect	Faible Chaleur	1 heure
	Maquereau	½ -1 po Épais	Indirect	Faible Chaleur	1 heure
Crevette		2-4 oz	Indirect	Faible Chaleur	1 heure
Poisson Entier		3-5 lb	Indirect	Faible Chaleur	3-4 heures

DES LÉGUMES:

TYPE D'ALIMENTATION	ÉPAISSEUR	POIDS	MÉTHODE	TEMP CONTRÔLE CADRAN	APPROX TIME (HRS/MINS)
Aubergine	1 po Épais Tranches		Indirect	Faible Chaleur	1 heures
Maïs en épi	Entier		Indirect	Faible Chaleur	1 ½ heure
Champignon - Portobello	Entier		Indirect	Faible Chaleur	1 ½ heures
Oignon	Entier/moitié		Indirect	Faible Chaleur	2 heures
Poivrons	Entier/moitié		Indirect	Faible Chaleur	1 ½ heures
Patate	Entier/moitié		Indirect	Faible Chaleur	2 heures
Tomate	Entier/moitié		Indirect	Faible Chaleur	45 minutes
Courgette	divisé en deux		Indirect	Faible Chaleur	1 heures
Patate Douce	Entier/moitié		Indirect	Faible Chaleur	2 heures

Grillage

Températures de la viande

La température "Remove" sur la gauche est la température cible à retirer de la source de chaleur. La température "idéale" à droite est la température interne idéale après repos. Ces températures sont toutes Fahrenheit. Notez que ce ne sont pas des recommandations de l'USDA. Les températures de l'USDA sont prudemment supérieures de 10° à 15° en raison de la salubrité des aliments, mais la plupart des chefs professionnels ne cuisent pas un steak mi-saignant à 150° F.

TYPE D'ALIMENTATION	SAIGNANT		MOYEN-SAIGNANT		MOYEN		MOYEN-BIEN	
	REMOVE	IDEAL	REMOVE	IDEAL	REMOVE	IDEAL	REMOVE	IDEAL
Du boeuf bifteck	125°	130°	130°	135°	140°	145°	155°	160°
Du boeuf Rôtis	120°	125°	125°	130°	135°	145°	150°	160°
Agneau Côtelettes	125°	130°	130°	135°	135°	145°	155°	160°
Agneau Rôtis	120°	130°	125°	130°	135°	145°	150°	160°
Porc Côtelettes			125°	130°	135°	140°	145°	150°
Porc Rôtis			125°	130°	135°	140°	145°	150°
Veau Côtelettes			130°	135°	140°	145°	155°	160°
Veau Rôtis			125°	130°	135°	145°	150°	160°

TYPE D'ALIMENTATION	TEMPS DE REPOS	RETIRER	TEMPÉRATURE INTERNE IDÉALE
Poulet Entier - Rôti	5 minutes	160° - 165°	165°- 170°
Dinde Entier - Rôti*	20-60 minutes	150° - 170°	165° - 170°

* Dinde peut prendre 60 minutes de repos avec un décalage de température de 20° ou plus

UTILISER LE GRIL

Positions de grille

En plus de déplacer les grilles à positionner selon vos préférences le long de la grille, les grilles à double face peuvent également être placées à plat ou en position inclinée. Si les grilles sont chaudes, utilisez l'outil multifonctions pour déplacer les grilles ou les repositionner. Placer les grilles dans une position angulaire (Fig. 21) permet à la graisse et à la graisse de s'écouler des aliments et de pénétrer dans le système de gestion des graisses. Il permet également une cuisson légèrement plus lente que si la grille était placée à plat (Fig. 22). Si vous utilisez une plaque chauffante, assurez-vous que la plaque est plate ou inclinée vers le haut et qu'elle n'est pas inclinée vers le bas. Les grilles métalliques ne peuvent être utilisées qu'à plat comme indiqué sur la Fig. 23

Grilles à double face

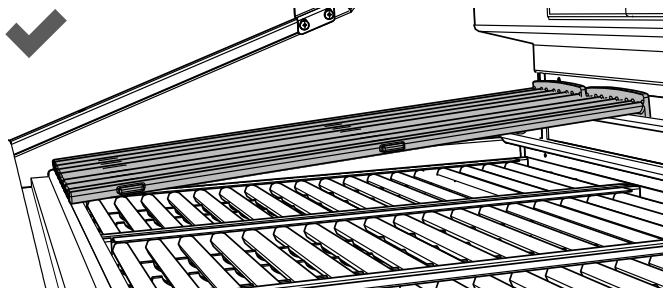


FIG. 21

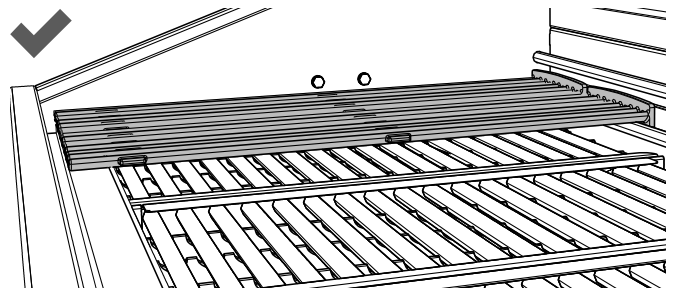


FIG. 22

Grilles de fil

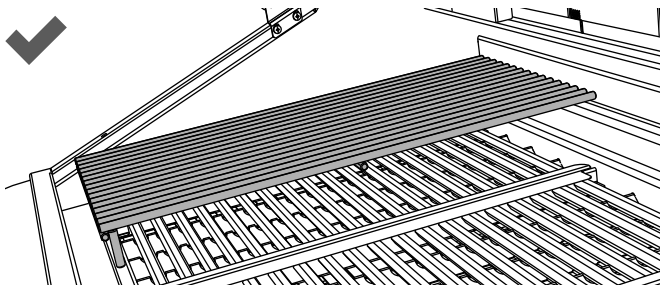


FIG. 23

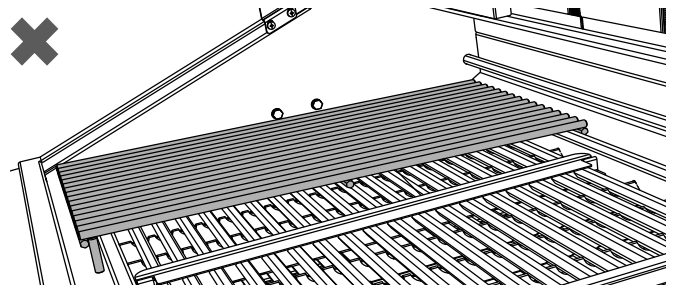


FIG. 24

En utilisant le multi-outil:

Le multi-outil est un accessoire fourni avec le gril. Ceci peut être utilisé pour soulever et déplacer les grilles, soulever le couvercle du brûleur à charbon de bois et ajuster les filtres de ventilation du brûleur à charbon. Il peut être utilisé pour gratter la graisse et les résidus de graisse dans le trou qui filtre la graisse dans la lèche-frite.

Pour ajuster les grilles à l'aide de l'outil multiple

- ① Saisir la poignée multi-outils, avec l'extrémité plate en haut.
- ② Faites pivoter l'outil multifonctions de 90 degrés et insérez l'extrémité à bord plat dans la fente de la grille centrale, en vous assurant que l'extrémité se trouve sous la barre horizontale centrale de la grille. Remarque: l'équilibre et le contrôle de la grille sont plus importants lorsque l'outil multifonctions est centré.
- ③ Faites pivoter le multi-outil de 90 degrés vers l'arrière. Les encoches à l'extrémité plate verrouillent la grille en place.
- ④ Soulevez délicatement la grille du gril ou dans la position souhaitée.
- ⑤ Tournez le multi-outil à nouveau pour l'enlever de la grille.

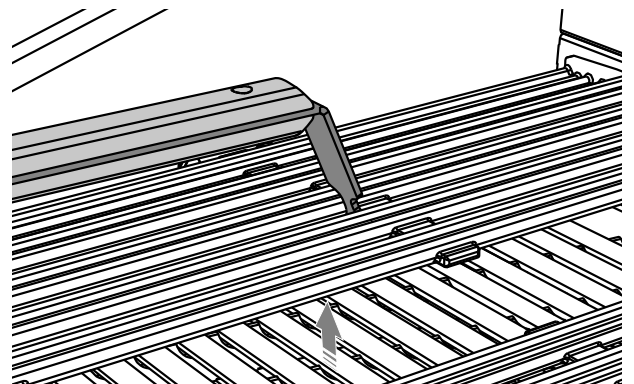


FIG. 25

IMPORTANT!

Faites attention lorsque vous utilisez l'outil multiple pour déplacer les grilles. Les grilles chaudes et lourdes peuvent causer des blessures.

Insert de charbon de bois

IMPORTANT!

N'utilisez pas de fluide plus léger dans l'insert de charbon ou sur le gril. Le combustible solide s'enflammera à partir des brûleurs, il n'a pas besoin d'être allumé par une allumette ou un briquet au butane.

- ① Placez du charbon de bois, des copeaux de bois ou des briquettes dans l'insert. Veillez à ne pas surcharger de combustible solide (une couche de briquettes est recommandé).
- ② Retirez les grilles et les tiges en céramique du brûleur extrême gauche. Placez l'insert de charbon sur le dessus du brûleur. L'insert se clipse sur les barbes dans le cadre du gril.
- ③ Allumez les brûleurs du gril en suivant les instructions d'allumage de la page 24. Tournez le bouton de commande sur "SEAR".
- ④ Attendez huit à dix minutes, laissez la fumée atteindre votre préférence. Le carburant solide devrait commencer à grisonner sur les bords.
- ⑤ Arrêtez le brûleur, le combustible solide continuera à brûler et à fumer.
- ⑥ Lorsque vous avez fini d'utiliser le gril, tournez les boutons de commande sur "OFF".
- ⑦ Laissez le gril refroidir et nettoyez les grilles, la lèchefrite et le bac à graisse après chaque utilisation. Le multi-outil peut être utilisé pour gratter le fond de l'insert. Voir Entretien et maintenance à la page 43 pour plus d'instructions sur le nettoyage de l'insert de charbon de bois.

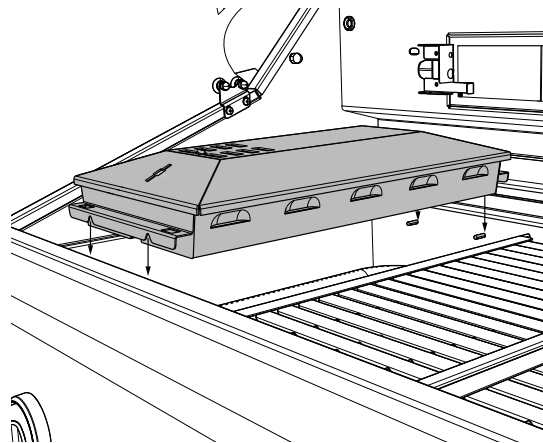


FIG. 26

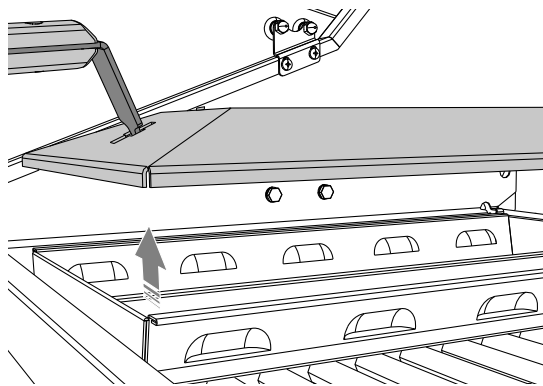


FIG. 27

Ajustement de l'insertion de charbon de bois

La chaleur et la vitesse de combustion de l'insert de charbon de bois peuvent être contrôlées en ajustant l'insert pour réduire le niveau d'oxygène fourni au feu et ralentir le taux de cuisson. Retrait du couvercle fournit une excellente surface de cuisson pour griller directement. Remarque: la grille de fil doit être utilisée conjointement avec l'insert de charbon pour griller directement. Il y a également un ajustement de ventilation sur le dessus du couvercle d'insert, il est recommandé que les événements soient modifiés avant la cuisson. Si le couvercle ou les événements doivent être ajustés pendant la cuisson, veuillez utiliser l'outil multiple car l'insert du brûleur à charbon sera chaud.

Utilisation de bois et de charbon de bois

- Le bois doit être préalablement trempé brièvement
- dans l'eau
- Les gros morceaux de bois brûlent plus lentement que les petits morceaux, ce qui donne plus de temps pour fumer
- Différents types de bois (et types de charbon de bois) confèrent des saveurs différentes à la nourriture
- Le charbon de bois et le bois peuvent être ajoutés périodiquement au bac selon les besoins pour prolonger le temps de cuisson

IMPORTANT!

Lors de l'utilisation de plusieurs accessoires de gril (par exemple, insert de charbon de bois, plaque de cuisson, etc.), au moins un des deux brûleurs centraux doit rester sans accessoire.

IMPORTANT!

Lorsque vous connectez votre moteur de tournebroche, connectez d'abord le moteur au grill, puis branchez le grill dans la prise.

Général

Le système de rôtissoire de grill est conçu pour cuire des articles de l'arrière utilisant la chaleur infrarouge. L'emplacement du brûleur permet de placer le bac de cuisson secondaire sous la nourriture pour recueillir les jus et les égouttures pour arrosage et sauce. Pour aromatiser le contenu du bac de cuisson, vous pouvez ajouter des herbes, de l'oignon, de l'ail ou des épices. Les jambons sont particulièrement bons avec l'ajout de tranches d'ananas et de sucre brun dans le bac de cuisson. Le brûleur de rôtissoire est un type infrarouge qui fournit une chaleur rayonnante intense. Préférée par les chefs par rapport à d'autres méthodes, cette chaleur intense est magnifique pour saisir les jus et les nutriments naturels de la viande.

La lueur orange / rouge disparaîtra dans environ cinq minutes. Le moteur de la rôtissoire est équipé d'engrenages en métal et est capable de transformer une viande ou une volaille pesant jusqu'à 50 lb. Le moteur de la rôtissoire sur les grilles est fixé à un bloc de rôtissoire avec deux boutons noirs. Le bloc de rôtisserie est à son tour boulonné sur le panneau latéral droit. La tige pour la rôtissoire est assemblée dans l'ensemble du moteur en plaçant l'extrémité pointue dans le moteur, et en appuyant l'extrémité de la poignée sur le support sur le côté gauche de la grille. Avec la tige poussée le plus loin possible dans le moteur, l'extrémité ronde de la tige doit reposer sur les rouleaux.

Le moteur est équipé d'une ampoule halogène pour fournir de la lumière lorsque les autres sources de lumière ne sont pas suffisantes. Utilisez seulement 50W (ou son équivalent) Max. Ampoule de remplacement Halogen Narrow Flood.

IMPORTANT!

Les lampes halogènes sont constituées d'une ampoule en verre munie d'un tube à filament interne sous pression qui fonctionne à des températures élevées et qui pourrait se briser de façon inattendue. Si l'ampoule extérieure se casse, des particules de verre extrêmement chaud pourraient être déchargées dans l'enceinte de l'appareil et / ou dans l'environnement environnant, créant ainsi un risque de blessure ou d'incendie. Lorsque vous remplacez l'ampoule, laissez l'ampoule refroidir et assurez-vous que l'ampoule est éteinte. Ne laissez jamais l'ampoule chaude entrer en contact avec de l'eau. NE TOUCHEZ PAS l'ampoule en cours d'utilisation. Il peut être assez chaud pour causer des blessures.

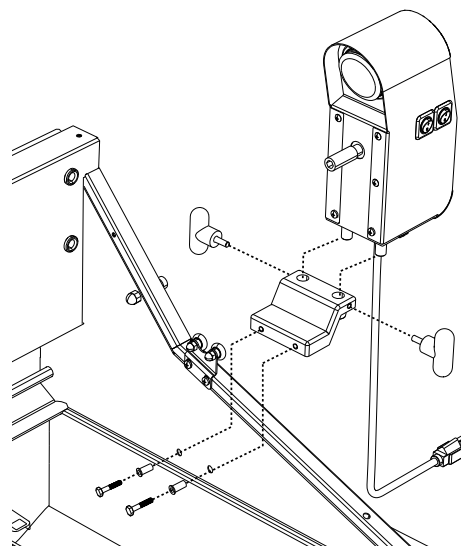


FIG. 28

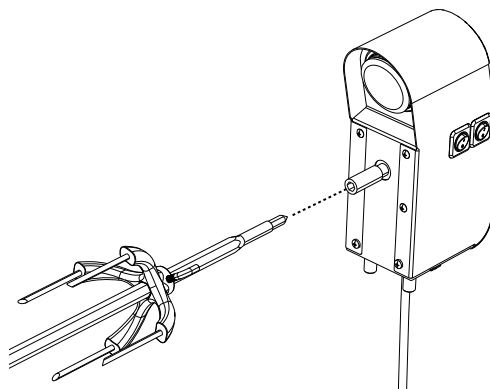


FIG. 29

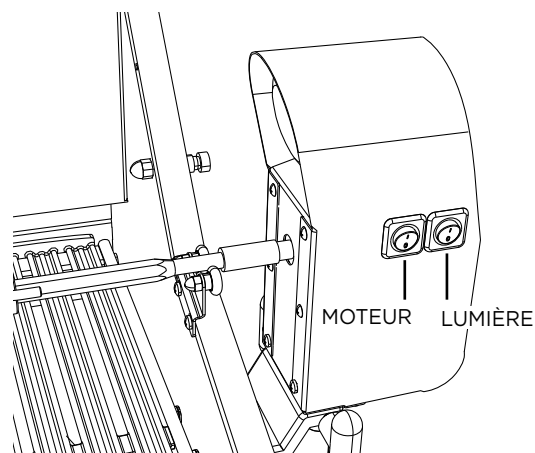


FIG. 30

IMPORTANT!

N'utilisez pas le brûleur de la rôtissoire lorsque les grilles de cuisson secondaires ou les plateaux sont en place. Avant d'utiliser le brûleur de la rôtissoire, assurez-vous que ces grilles et plateaux sont retirés.

Préparation

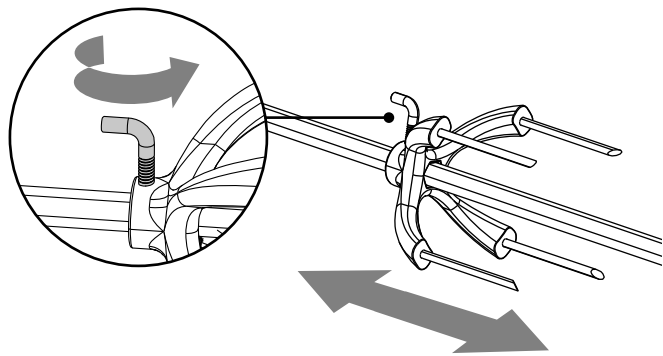
Recommandé: soie dentaire ou corde de boucher, ciseaux, lèchefrite (fond seulement), pince, thermomètre instantané, papier aluminium et poignées isolantes.

Zone de travail

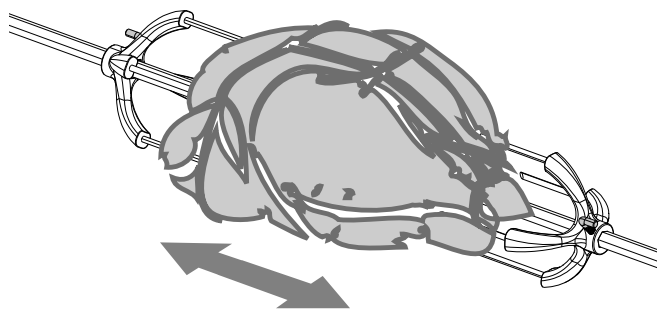
Prévoyez suffisamment d'espace pour accommoder les aliments et la rôtissoire dans un environnement propre.

Préparation de la viande

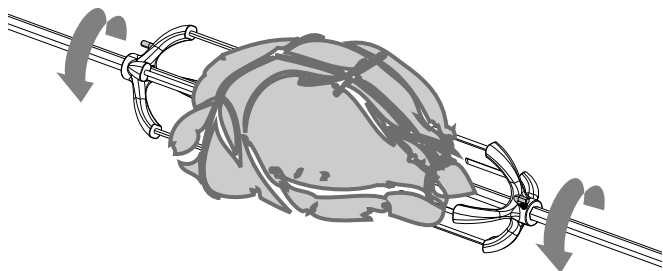
Attacher de la viande avec de la ficelle de boucherie ou de la soie dentaire dans trois zones. Achetez un rôti équilibré de haut en bas pour que la viande cuite uniformément sur la rôtissoire. Pour la volaille, attachez les ailes et les pattes au corps à l'aide de fil dentaire ou d'une ficelle de boucher pour éviter que le poisson ne se retourne pendant qu'il tourne.



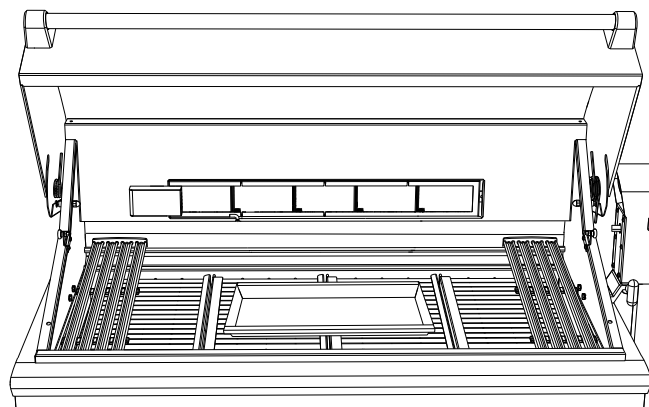
- ① Déterminez le centre de la pièce, placez les premières fourchettes sur le tournebroche et tournez la vis en forme de L pour serrer.



- ② Centrez la viande ou la volaille ficelée sur le tournebroche, placez les secondes fourchettes et tournez la vis en forme de L pour serrer



- ③ Saisissez le tournebroche et tournez-le pour vérifier que le tout est équilibré. Si ce n'est pas le cas, ajustez les fourchettes et les aliments de façon à équilibrer le tout. Serrez à l'aide d'une pince la vis en forme de L des deux côtés des fourchettes.



- ④ Retirer grilles et grilles de cuisson secondaires. Placer le bac de cuisson secondaire sur les tiges rayonnantes en céramique afin que le jus de viande puisse s'accumuler dans le bac.

UTILISATION DE LA ROTISSERIE

Pour allumer le brûleur de la rôtissoire avant la cuisson

L'emplacement du brûleur de la rôtissoire le rend plus sensible aux conditions de vent fort, plus que les brûleurs protégés du gril. Pour cette raison, évitez d'utiliser la rôtissoire lorsque le vent souffle. En tant que caractéristique de sécurité supplémentaire, nous avons équipé le brûleur d'une soupape de sécurité automatique qui ne permettra pas au gaz de s'écouler vers le brûleur de la rôtissoire à moins que les conditions suivantes ne soient présentes avec le bouton sur:

- ① Le bouton de la valve de sécurité est maintenu enfoncé.
 - ② Le thermocouple de la valve de sécurité est suffisamment réchauffé pour garder la valve ouverte.
- Remarque: l'allumeur de gril s'allume en orange, mais il n'y aura pas de cliquetis pendant l'allumage.

Enfoncez et maintenez le bouton du brûleur sélectionné pendant deux secondes. Vérifiez que l'allumeur à surface chaude est allumé. Tournez le bouton du brûleur sur la position "HI". Appuyez ensuite sur le bouton de la soupape de sécurité et maintenez-le enfoncé pendant 10 secondes ou jusqu'à ce que le brûleur reste allumé. Une fois allumé, tournez le bouton de commande au réglage désiré. Si le brûleur ne s'allume pas dans, tournez le bouton «OFF» et attendez cinq minutes avant d'essayer à nouveau afin que tout gaz accumulé puisse se dissiper.

- Si vous rallumez un brûleur chaud, attendez cinq minutes.
- Ne laissez jamais le bouton de commande allumé si la rôtissoire n'est pas utilisée.
- N'allumez jamais un brûleur sous la rôtissoire lorsque le brûleur de la rôtissoire est allumé.

Éclairage manuel

Pour allumer manuellement la rôtissoire, placez un briquet au butane près de la pointe du thermocouple. Enfoncez et tournez le bouton de commande sur "HI". Maintenez le bouton de la soupape de sécurité enfoncé pendant 10 secondes ou jusqu'à ce que le brûleur reste allumé. Une fois allumé, tournez le bouton de commande au réglage désiré. Si le brûleur ne s'allume pas, relâchez le bouton de la soupape de sécurité et tournez le bouton de commande sur "OFF" et attendez 5 minutes avant de réessayer.

IMPORTANT!

Gardez les mains et le visage éloignés de la partie avant du brûleur! Tenez-vous sur le côté lorsque vous allumez. Une fois que c'est allumé, retirez la main tout de suite.

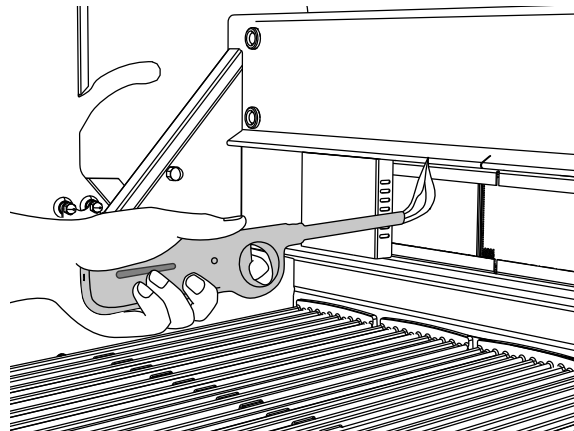


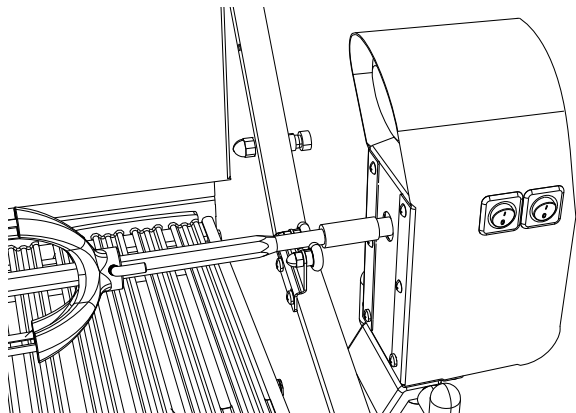
FIG. 31

IMPORTANT!

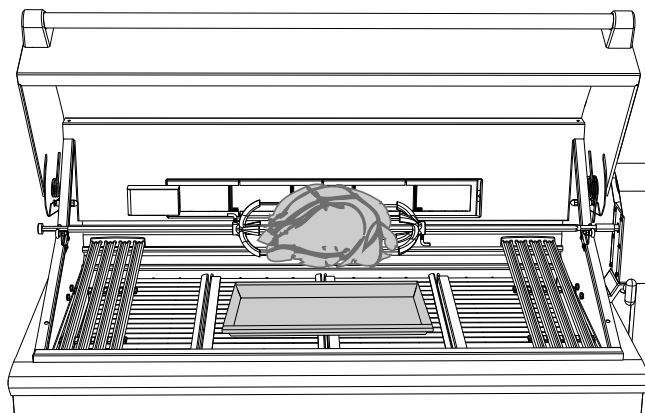
Instructions concernant la mise à la terre électrique : Cet appareil (moteur de rôtissoire) est équipé d'une fiche bipolaire avec terre pour vous protéger contre les risques d'électrocution. Elle doit être directement branché dans une prise triphasée correctement mise à la terre ou dans une rallonge triphasée mise à la terre prévu pour la puissance du moteur de la rôtissoire et homologué pour l'usage extérieur marquée W-A. Ne coupez pas ni ne retirez la broche de terre de cette fiche. Utiliser uniquement un circuit protégé par un interrupteur de défaut à la terre (GFI).

Le moteur de la rôtissoire doit être mis à la terre conformément aux codes locaux ou, en l'absence de codes locaux, au Code national de l'électricité, ANSI / NFPA 70. Tenir le cordon électrique du moteur de la rôtissoire à l'écart des surfaces chauffées. Lorsque vous ne l'utilisez pas, retirez et rangez le moteur dans un endroit sec. Pour protéger contre les chocs électriques, ne plongez pas le cordon ou la fiche dans l'eau ou tout autre liquide. Débranchez le tournebroche de la prise de courant lorsqu'il n'est pas utilisé et avant de le nettoyer. Laissez la rôtissoire refroidir avant de mettre ou de retirer des pièces.

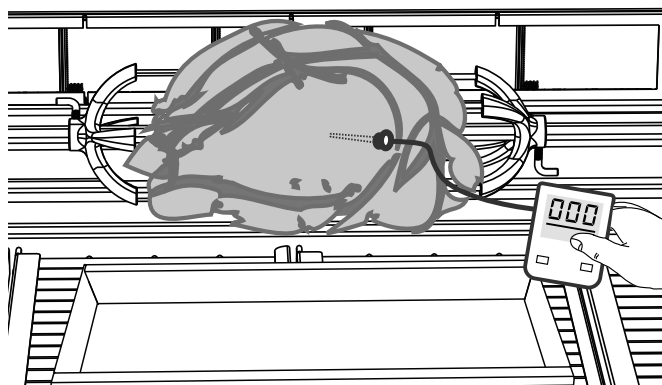
Grillage



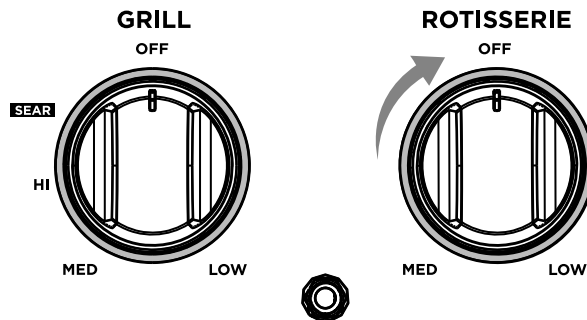
① Placer la tige préparée dans le moteur, poser en travers et dans les rouleaux de l'autre côté



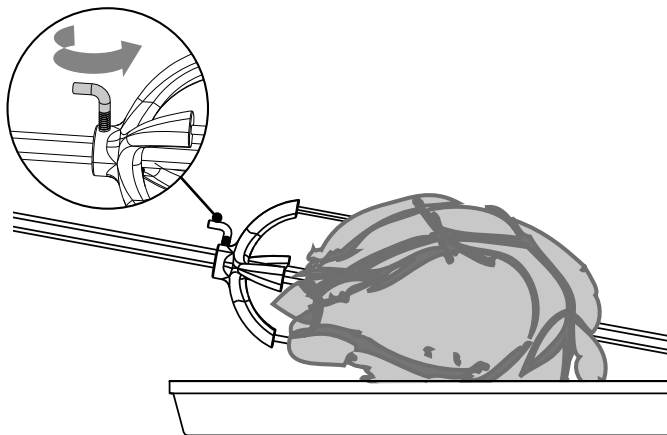
② Une fois la position vérifiée, allumer le brûleur et démarrer le moteur du tournebroche. Tournez le bouton de commande sur le réglage désiré.



③ Pour vérifier la température de la viande, éteindre le moteur et baisser la température à l'aide d'une sonde à viande.



④ Une fois terminé, tournez le bouton du moteur et de la rôtissoire sur "OFF". Si vous avez complètement terminé d'utiliser l'appareil, fermez également l'alimentation principale en gaz.



⑤ Retirez la tige et placez la viande ou la volaille sur la casserole, puis retirez les griffes. Faites attention car la tige sera chaude.

IMPORTANT!

Les griffes sont très pointues. Gardez les mains à l'écart des pointes lorsque vous retirez les aliments.

Remarque: couvrir de papier d'aluminium pendant 15 à 20 minutes d'attente. La viande se taillera mieux et les jus retourneront dans la viande.

Rangement de tige de rôtisserie

La tige de tournebroche peut être stockée dans le plateau situé sous la tête du grill. Lorsque vous stockez les tringles à rôtissoire, utilisez les deux mains pour les ranger correctement et assurez-vous qu'elles sont bien en place. S'il vous plaît utilisez deux mains pour retirer la tige de son compartiment de stockage, en veillant à ce qu'il ne tombe pas.

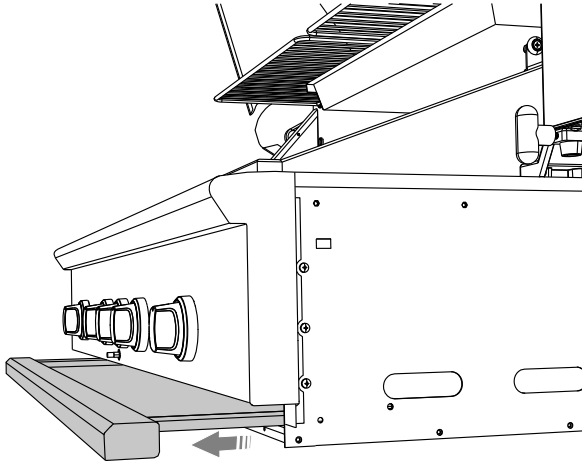


FIG. 32

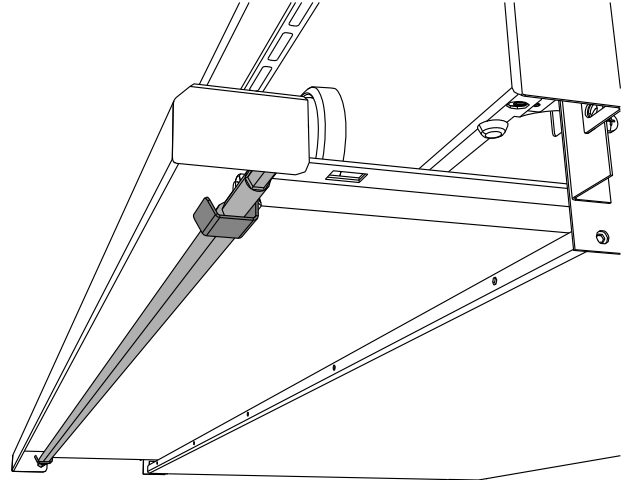


FIG. 33

Utilisation de l'unité de stockage de barre

- ① Faites glisser le bac d'égouttement qui se trouve sous le panneau de commande.
- ② Placer les crochets sous la lèvre avant du bac d'égouttement.
- ③ Placez la tige de rôtisserie sur les crochets.
- ④ Faites glisser le bac d'égouttage en place.

Les accessoires suivants peuvent être achetés séparément auprès des revendeurs agréés Fisher & Paykel.

Gril couvre

Pour assurer la haute performance et la longévité de votre gril, nous vous recommandons d'acheter une couverture de gril. Surtout si votre gril va être stocké à l'extérieur.

Unité de stockage

L'unité peut être boulonnée de chaque côté du gril. S'il vous plaît noter, si vous utilisez la rôtisserie, l'unité de stockage devra être installé sur le côté opposé à l'endroit où le moteur se trouve. Cependant, vous pouvez installer jusqu'à deux unités de stockage sur le gril, car l'unité de stockage est fixée au même endroit que le moteur du tournebroche, l'installation de deux unités de stockage signifie que le moteur du tournebroche ne peut pas être installé.

Toutes les parties amovibles de l'unité de stockage vont au lave-vaisselle. Veuillez consulter le guide de démarrage rapide de l'unité de stockage pour les instructions d'installation, l'utilisation et l'entretien ainsi que d'autres informations.

Plaque à gauffreuse

La plaque de cuisson peut être achetée séparément. Ne placez pas les plaques de cuisson côte à côte. Veuillez consulter le guide de démarrage rapide de la plaque chauffante pour les instructions d'installation, l'utilisation et l'entretien ainsi que d'autres informations.

Brûleur hybride infrarouge

Fournit une option de cuisson supplémentaire. Veuillez consulter le guide de démarrage rapide du brûleur IR pour les instructions d'installation, l'utilisation, l'entretien et d'autres informations.

Brûleur latéral

Fournit une option de cuisson supplémentaire pour les casseroles et poêles. S'il vous plaît voir le guide de démarrage rapide du brûleur latéral pour les instructions d'installation, l'utilisation et l'entretien et plus d'informations.

Veste isolée

Nous vous recommandons d'acheter une veste isolante si vous installez votre gril dans une enceinte combustible, car cela réduira les risques d'incendie, de dommages matériels et de blessures corporelles. Veuillez consulter le guide de démarrage rapide de la veste isolante pour les instructions d'installation, l'utilisation et l'entretien ainsi que d'autres informations.

IMPORTANT!

Avant chaque utilisation, inspectez la tuyauterie ou le tuyau d'alimentation en gaz avant d'allumer le gaz. S'il y a des signes de coupures, d'usure ou d'abrasion sur la tuyauterie ou le tuyau, il faut le remplacer avant de l'utiliser.

Remplacement du régulateur et du tuyau

Le régulateur de pression et le flexible fournis avec l'unité doivent être utilisés. Si des remplacements sont nécessaires, contactez le service clientèle sur www.dcsappliances.com. N'utilisez pas le gril si l'odeur du gaz est présente. Si l'unité est Ip, visser le régulateur dans le réservoir et vérifier les fuites des raccords du tuyau et du régulateur avec une solution de savon et d'eau avant d'utiliser le gril. Tournez tous les boutons sur "OFF" puis allumez l'alimentation en gaz. Si Ip, vérifiez qu'il y a du gaz dans le réservoir.

IMPORTANT!

- **Gardez toujours votre visage et votre corps le plus loin possible du gril lors de l'allumage.**
- **Ne laissez pas le gril sans surveillance pendant la cuisson.**
- **Gardez un flacon pulvérisateur d'eau savonneuse près de la soupape d'alimentation en gaz et vérifiez les connexions avant chaque utilisation.**
- **N'essayez pas d'allumer le gril si l'odeur de gaz est présente.**
- **Attendez cinq minutes avant de rallumer un gril chaud.**

Grilles de gril

Méthode 1

Tournez les brûleurs en U à "HI" pendant 15-20 minutes pour brûler les particules de nourriture restantes. Après avoir éteint le gril, utilisez une brosse à poils pour enlever les particules de nourriture ou les cendres restantes.

Méthode 2

La façon la plus simple de nettoyer le gril est de le faire immédiatement après la cuisson et après avoir éteint la flamme. Portez un gant de barbecue pour protéger votre main de la chaleur et de la vapeur. Trempez une brosse à poils doux en laiton dans un mélange de deux tasses d'eau du robinet et 1/2 tasse de vinaigre et frottez la grille chaude. Trempez la brosse fréquemment dans le bol d'eau et de vinaigre. La vapeur, créée lorsque l'eau entre en contact avec le gril chaud, facilite le processus de nettoyage en ramollissant les particules de nourriture. Les particules de nourriture tombent sur les tiges de céramique et brûlent ou tombent dans la lèchefrite. Si le gril est autorisé à refroidir avant le nettoyage, le nettoyage sera plus difficile.

Méthode 3

Prenez environ un pied de papier d'aluminium, froissé en boule et frottez-le sur les grilles refroidies pour libérer les particules de nourriture.

Remarque: les grilles grillées doivent être re-assaisonnées après le nettoyage pour éviter les taches de rouille.

Égouttoir et bac à graisse

La lèchefrite pleine largeur avec plateau à graisse recueillera la graisse de la section du gril et les débordements et les débordements des brûleurs latéraux. Laissez le récipient et son contenu refroidir avant d'essayer de nettoyer. Nettoyer la graisse de la poêle souvent pour éviter la possibilité d'un feu de graisse.

Tiges en céramique

Il n'est pas nécessaire d'enlever les tiges de céramique pour le nettoyage. Ils se brûlent lors de la prochaine cuisson. Périodiquement, les plateaux contenant les tiges en céramique doivent être retournés et secoués pour éviter un nettoyage en profondeur. Combien de fois vous utilisez le gril et la quantité et le type de nourriture cuit déterminera quand il est nécessaire de nettoyer les plateaux. Si de la graisse peut être vue sur le dessus des tubes ou s'il y a beaucoup de flambées pendant la cuisson, les tubes doivent être retournés et chauffés "HI" pendant 30 minutes; plus longtemps pour un sol lourd.

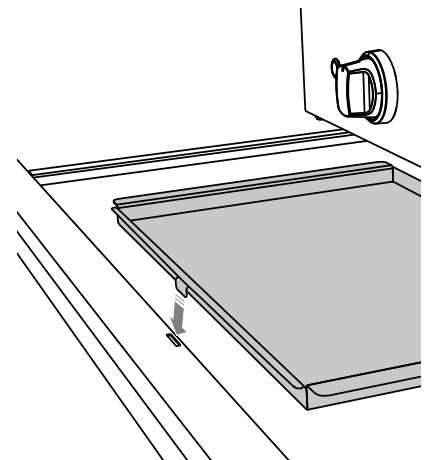


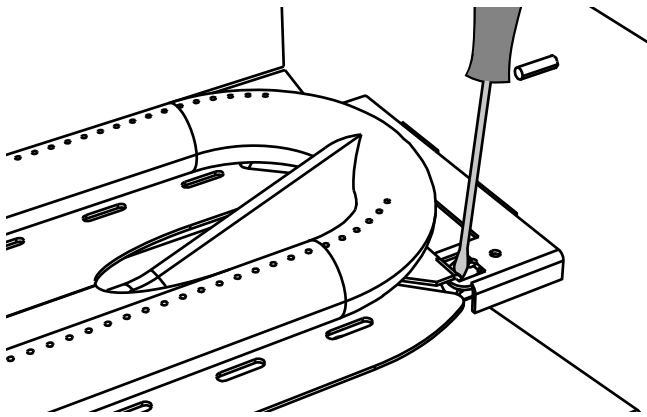
FIG. 34

304 Acier inoxydable

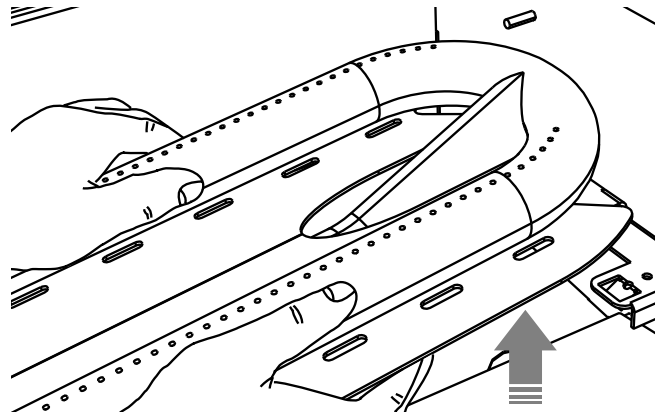
Le grill est fait d'acier inoxydable non magnétique. Après l'utilisation initiale, certaines parties du grill peuvent se décolorer à cause de la chaleur intense dégagée par les brûleurs. Ceci est normal. On trouve toute sorte de nettoyeurs pour acier inoxydable sur le marché. Employez toujours la méthode de nettoyage la plus douce au début, en frottant dans le sens du grain. Pour réparer des égratignures visibles à l'œil nu, frottez très légèrement avec du papier de verre 100, dans le sens du grain. Des taches de graisse peuvent s'accumuler et s'incruster sur les surfaces en acier inoxydable sous l'effet de la cuisson, ce qui peut ressembler à de la rouille. Pour les enlever, utilisez un tampon abrasif (Scotch Brite par exemple) conjointement avec un nettoyeur pour acier inoxydable. Frottez toujours dans le sens du grain.

Remarque: l'acier inoxydable a tendance à se corroder en présence de chlorures et de sulfures, spécialement dans les régions côtières. Pour prévenir les risques de corrosion, lavez toutes les surfaces en acier inoxydable toutes les 3 à 4 semaines à l'aide d'eau douce et d'un nettoyeur pour acier inoxydable. Gardez le grill couvert quand il n'est pas utilisé.

Déposer des brûleurs en U pour le nettoyage



- ① Assurez-vous que l'alimentation en gaz a été coupée. Retirez les grilles du grill, puis retirez le plateau rayonnant du grill. Utilisez un tournevis pour forcer l'ouverture de la fente pour libérer le brûleur en U.



- ① Saisissez le brûleur en U et appuyez vers le bas avec vos pouces sur le support à l'arrière tout en soulevant le brûleur en U. Tirez-le vers le haut et légèrement vers l'arrière de l'appareil afin que la tête du volet d'air du brûleur se détache de l'orifice en laiton à l'avant, inclinez le brûleur latéralement et retirez-le.

IMPORTANT!

Après le nettoyage, lorsque vous réinstallez le brûleur en U, assurez-vous que le brûleur en U est complètement à niveau et verrouillé en place. Ceci est nécessaire pour assurer que votre grill fournisse une performance de cuisson uniforme.

Nettoyage du brûleur du grill

Nettoyez l'extérieur du brûleur à l'aide d'une brosse métallique en acier inoxydable. Éliminez le tartre coriace à l'aide d'un racloir métallique. Dégagez les ports bouchés avec une trombone déployée. N'utilisez jamais de cure-dent en bois car il pourrait se casser et bloquer le port. Secouez les débris à travers l'obturateur d'air. Inspectez l'entrée du brûleur à l'aide d'une lampe de poche pour vérifier qu'il n'est pas bloqué. Si des obstructions sont visibles, servez-vous d'un cintre métallique déployé au préalable (voir figure 35).

Nettoyage de l'orifice

Le brûleur étant retiré, enlevez l'orifice et inspectez l'ouverture avec une lampe de poche pour vous assurer qu'elle n'est pas bloquée. Dégagez les débris à l'aide d'une aiguille. Faites extrêmement attention de ne pas élargir le trou ou de casser l'aiguille.

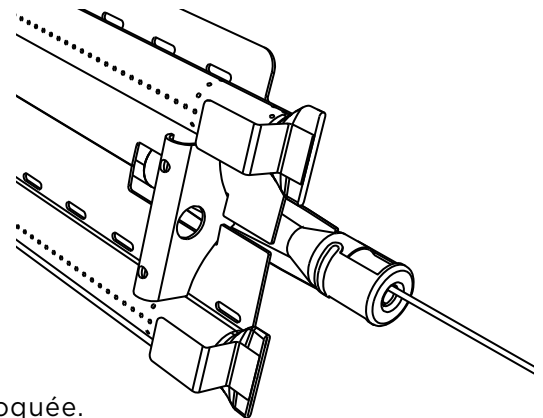


FIG. 35

Alignement du brûleur

IMPORTANT!

Centrez correctement le brûleur sur l'orifice avant d'allumer le gril pour éviter tout risque d'incendie ou d'explosion.

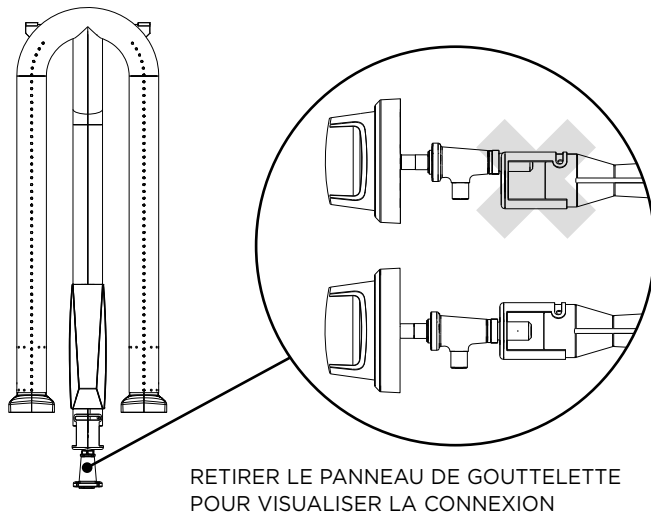


Fig. 36

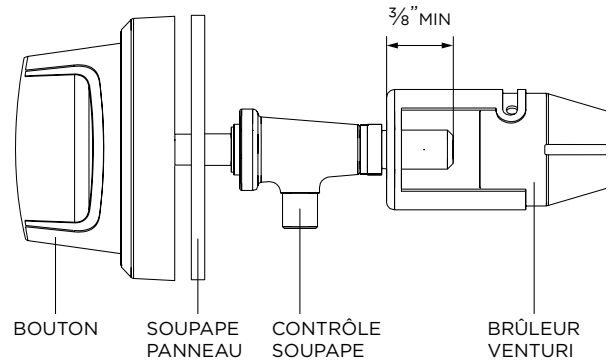


Fig. 37

Veillez à ne pas désaligner la position d'origine des volets d'air (sauf réajustement). Abaissez l'arrière du brûleur dans les découpes sur le canal de support à l'arrière du boîtier de brûleur. Assurez-vous qu'il est de niveau et ne balance pas. Allumez tous les brûleurs et vérifiez que la flamme est bleue, stable et uniforme. Si des réglages sont nécessaires, reportez-vous à la page 20. Effectuez ces réglages avant la cuisson.

Remplacer les ampoules d'éclairage internes

Remarque: les ampoules de rechange sont de type halogène, 12 volts, 10 W max, T3 avec une base bi-broches G4..

- ① Retirez délicatement les couvercles d'ampoule à l'aide de vos doigts ou d'un tournevis.
- ② Retirez l'ampoule et remplacez-la par une nouvelle ampoule. Utilisez des gants lors de la manipulation des ampoules halogènes comme les huiles provenant des bouts des doigts peuvent endommager l'ampoule.
- ③ Remettez le couvercle de l'ampoule en place. Il devrait revenir en place.

Nettoyage des couvercles d'ampoules

- ① Retirez délicatement les couvercles d'ampoule en utilisant vos doigts ou un tournevis.
- ② Nettoyer les couvercles et enlever la graisse avec un chiffon, de l'eau tiède et du liquide vaisselle.
- ③ Remettez le couvercle de l'ampoule en place. Il va se remettre en place.

IMPORTANT!

Les lampes halogènes sont constituées d'une ampoule en verre munie d'un tube à filament interne sous pression qui fonctionne à des températures élevées et qui pourrait se briser de façon inattendue. Si l'ampoule extérieure se brisait, des particules de verre extrêmement chaud pourraient être rejetées dans l'enceinte du luminaire et / ou dans l'environnement environnant, ce qui pourrait entraîner des blessures ou un incendie. Lorsque vous remplacez l'ampoule, laissez l'ampoule refroidir et assurez-vous que l'ampoule est éteinte. Ne laissez jamais l'ampoule chaude entrer en contact avec de l'eau. **NE TOUCHEZ PAS** l'ampoule en cours d'utilisation. Il peut être assez chaud pour causer des blessures.

Le soin de l'outil multiple

- Laver le multi-outil avec de l'eau chaude savonneuse après chaque utilisation.
- Pour protéger l'état de la poignée en bois naturel, ne pas stocker à l'état humide ou à la lumière directe du soleil.

IMPORTANT!

Soyez prudent lorsque vous manipulez et nettoyez le multi-outil, car il a des bords tranchants qui pourraient causer des blessures.

Nettoyage du brûleur Char

- ① Une fois refroidi, retirez l'insertion de charbon de bois à l'intérieur du grill et éliminez les cendres en toute sécurité.
- ② Grattez tout résidu de nourriture possible à l'aide de l'outil multiple.
- ③ Nettoyez le dépôt de carbone sur le fond de l'insert à l'aide d'une brosse à poils de barbecue.
- ④ Laver l'insert avec de l'eau chaude savonneuse.

IMPORTANT!

S'il vous plaît ne pas toucher ou déplacer l'insert de charbon de bois pendant que les charbons brûlent. Veuillez attendre que le charbon ou la cendre se soit refroidi avant de nettoyer l'insert de charbon de bois. Jetez les cendres dans un récipient ignifugé.

Nettoyage des surfaces de cuisson secondaires (plateau et supports)

- ① Wait until trays and/or racks have fully cooled before removing from the grill.
- ② Place in dishwasher. All trays and racks are dishwasher safe.

Si le lavage des mains est préféré

- ① Attendre que les plateaux et / ou les grilles soient complètement refroidis avant de les retirer du barbecue.
- ② Laver à l'eau chaude savonneuse à l'aide d'un tampon non abrasif.

DÉPANNAGE

Avant d'appeler le service

Si le gril ne fonctionne pas correctement, utilisez la liste de vérification suivante avant de contacter votre revendeur pour réparation. Vous pouvez enregistrer le coût d'un appel de service. Le dépannage est uniquement à des fins générales. Si le problème persiste et que vous pensez avoir besoin d'un entretien, contactez votre revendeur ou l'agence agréée la plus proche pour effectuer le service. Seules les agences autorisées peuvent effectuer le service de garantie. Contactez DCS à www.dcsappliances.com

PROBLÈME	CAUSES POSSIBLES	QUE FAIRE
Le gril ne s'allume pas lorsque le bouton de commande est enfoncé	<ul style="list-style-type: none">• L'alimentation en gaz est coupée• L'alimentation est coupée	<ul style="list-style-type: none">• Vérifiez l'alimentation en gaz,• Vérifiez que le gril est connecté à une source d'alimentation CA active• Vérifier la sortie GFI, réinitialiser si déclenchée• Vérifiez le fusible d'alimentation, remplacez s'il est grillé
Faible chaleur avec le bouton dans "HI/SEAR" position	<ul style="list-style-type: none">• Le gril peut être dans une zone poussiéreuse• Si vous utilisez du gaz de pétrole liquéfié, le réservoir peut être vide• Si un seul brûleur est faible, un port peut être obstrué	<ul style="list-style-type: none">• Déplacez-vous dans une zone moins poussiéreuse si possible• Vérifier l'alimentation en gaz• Voir page 41 pour les instructions sur le nettoyage de l'orifice et du brûleur• Préchauffer le gril pendant 15 minutes
La flamme du brûleur est jaune ou orange en conjonction avec l'odeur du gaz	<ul style="list-style-type: none">• L'alimentation en gaz est coupée	<ul style="list-style-type: none">• Vérifier l'alimentation en gaz• Vérifiez que le gril est connecté à une source d'alimentation CA active• Vérifier la sortie GFI, réinitialiser si déclenchée• Voir page 36 pour les instructions sur l'allumage manuel de la rôtissoire
La rôtisserie ne retient pas la flamme une fois que le bouton est relâché		<ul style="list-style-type: none">• Continuez à maintenir le bouton de la soupape de sécurité enfoncé jusqu'à ce que le brûleur reste allumé lorsqu'il est relâché
Les lumières de cadran et les lumières de gril ne s'allument pas	<ul style="list-style-type: none">• Power supply is off• GFI has tripped (Ground Fault Interrupter)• Transformer fuse has blown	<ul style="list-style-type: none">• Vérifiez que le gril est connecté à une source d'alimentation CA active• Vérifier la sortie GFI, réinitialiser si déclenchée• Vérifiez le fusible d'alimentation, remplacez s'il est grillé
La lumière interne ne fonctionne pas	<ul style="list-style-type: none">• L'ampoule a soufflé	<ul style="list-style-type: none">• Retirer la lentille en verre, remplacer par une ampoule halogène G4 12v

Avant d'appeler pour demander une réparation ou de l'assistance ...

Vérifiez les points que vous pouvez contrôler vous-même. Consultez les instructions d'installation et le guide de l'utilisateur pour vous assurer que :

- ① Votre produit est installé correctement.
- ② Vous êtes familier avec son fonctionnement normal.
- ③ Numéro de modèle (se trouve à l'intérieur, panneau latéral droit derrière la poignée de la lèchefrite Voir page 22)
- ④ Numéro de série (se trouve à l'intérieur, panneau latéral droit derrière la poignée de la lèchefrite Voir page 22)
- ⑤ Code (se trouve à l'intérieur, côté droit derrière la poignée de la lèchefrite, voir page 22)
- ⑥ Date d'installation
- ⑦ Une brève description du problème

Si après la vérification de ces points, vous avez toujours besoin d'assistance ou d'une réparation, reportez-vous au livret de service et de garantie pour obtenir les détails sur la garantie et les coordonnées d'un réparateur autorisé ou de l'Assistance à la clientèle, ou contactez-nous par l'entremise de notre site Web, à l'adresse indiquée sur la couverture arrière ou envoyer un courriel à: customer.care@fisherpaykel.com.

Compléter et conserver pour référence sûre:

Modèle _____

N° de série _____

Date d'achat _____

Acheteur _____

Le Revendeur _____

Le Banlieue _____

Le Ville _____

Le Pays _____

WWW.DCSAPPLIANCES.COM

© Fisher & Paykel Appliances 2019. All rights reserved.

The product specifications in this booklet apply to the specific products and models described at the date of issue. Under our policy of continuous product improvement, these specifications may change at any time. You should therefore check with your Dealer to ensure this booklet correctly describes the product currently available.

© Fisher & Paykel Appliances 2019. Tous droits réservés.

Les caractéristiques de produit présentées dans ce livret s'appliquent aux modèles et produits spécifiques qui y sont décrits à la date de publication. Dans le cadre de notre politique d'amélioration en permanence de nos produits, ces caractéristiques peuvent être modifiées à tout moment. Nous vous recommandons de vérifier auprès de votre détaillant que ce livret décrit le produit actuellement disponible.

US CA

591576C 11.19