

Features

- Freestanding design creates a striking focal point in your bathing area.
- 17-7/16" (443 mm) soaking depth.
- Sloped lumbar support offers extra comfort while bathing.
- Integral slotted overflow allows for deep soaking.
- Center toe-tap drain with KOHLER Lithocast® Gloss cover.
- Coordinates with other products in the Memoirs collection.
- 59-11/16" (1516 mm) x 34" (864 mm) x 23-3/4" (603 mm)

Material

- KOHLER Lithocast® Gloss cast resin.

Installation

- Freestanding.

Recommended Products/Accessories

- K-23726 Drain treatment
- K-23732 Tub & shower cleaner



Codes/Standards

CSA B45.5/IAPMO Z124

KOHLER® Plastic Baths and Shower Bases Lifetime Limited Warranty

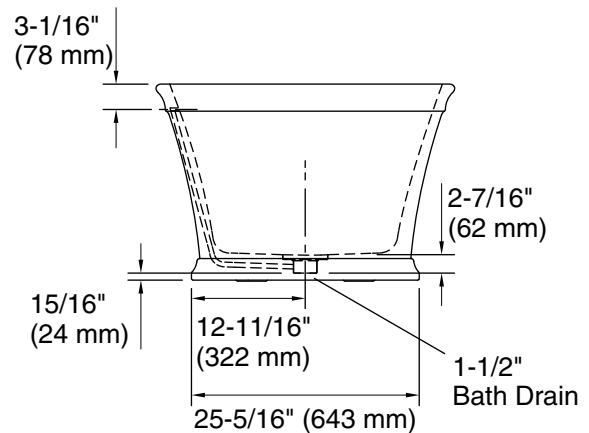
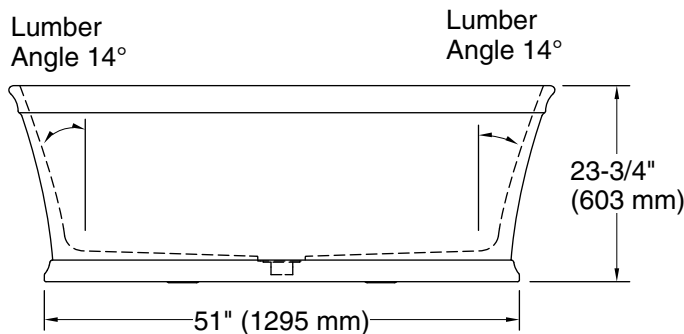
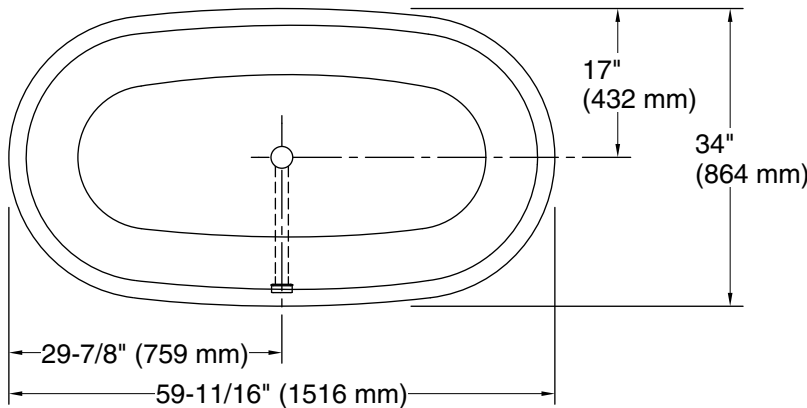
See website for detailed warranty information.

Available Colors/Finishes

Color tiles intended for reference only.

Color	Code	Description
-------	------	-------------

	0	White
--	---	-------



Technical Information

All product dimensions are nominal.

Installation:	Freestanding
Drain location:	Center
Basin area, bottom:	46-13/16" x 21" (1189 mm x 533 mm)
Basin area, top:	59" x 33-5/16" (1499 mm x 846 mm)
Weight:	250 lbs (113.4 kg)
Water depth:	17-7/16" (443 mm)
Water capacity:	80 gal (302.8 L)
Template:	Footprint, 1303995-7, not required, not included

Notes

- Measure your actual product for rough-in details. Install this product according to the installation instructions.
- The hot water supply should be 70% of the capacity of the bath or greater. Installations will vary.
- Allow for 3" (76 mm) diameter of clearance around the drain pipe on finished floor material to prevent drain body interference during installation.