

### Features

- Includes face plate with handle, shower arm with flange, showerhead, and bath spout.
- Single handle controls both on/off activation and temperature setting.
- Supplied with ADA compliant lever handle.
- Includes single function 1.75 gal/min (6.8 l/min) showerhead.
- Includes diverter bath spout with slip fit connection.
- Complements the Tempered™ faucet and accessory collections.

### Material

- Premium material construction with metal handle ensures reliability and durability.
- KOHLER finishes resist corrosion and tarnishing, exceeding industry durability standards.

### Installation

- Trim set requires valve to complete installation.

### Required Accessories

K-8304/K-P8304 Series Rite-Temp® Valve & Cartridge Kits

or

K-8300/K-P8300 Series Rite-Temp® Valve Body Rough-ins

K-8305/K-P8305 Series Rite-Temp® Cartridges

or

K-2971-KS 3/4" Pressure-balancing Valve

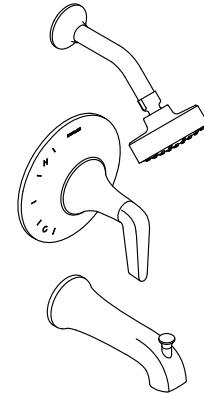
### Adapters, Rough-in and Extension Kits

K-10350-NA Range: 3-1/2" (89 mm) - 4-1/4" (108 mm)

### Optional Accessories

K-10350 Deep Rough-In Kit For K-8305 Cartridges

K-10351 Test Cap For K-8300 Series Valve Bodies



### Codes/Standards

ASME A112.18.1/CSA B125.1

DOE - Energy Policy Act 1992

EPA WaterSense®

California Energy Commission (CEC)

### KOHLER® Faucet Lifetime Limited Warranty

See website for detailed warranty information.

### Available Color/Finishes

*Color tiles intended for reference only.*

Color	Code	Description
-------	------	-------------



CP Polished Chrome



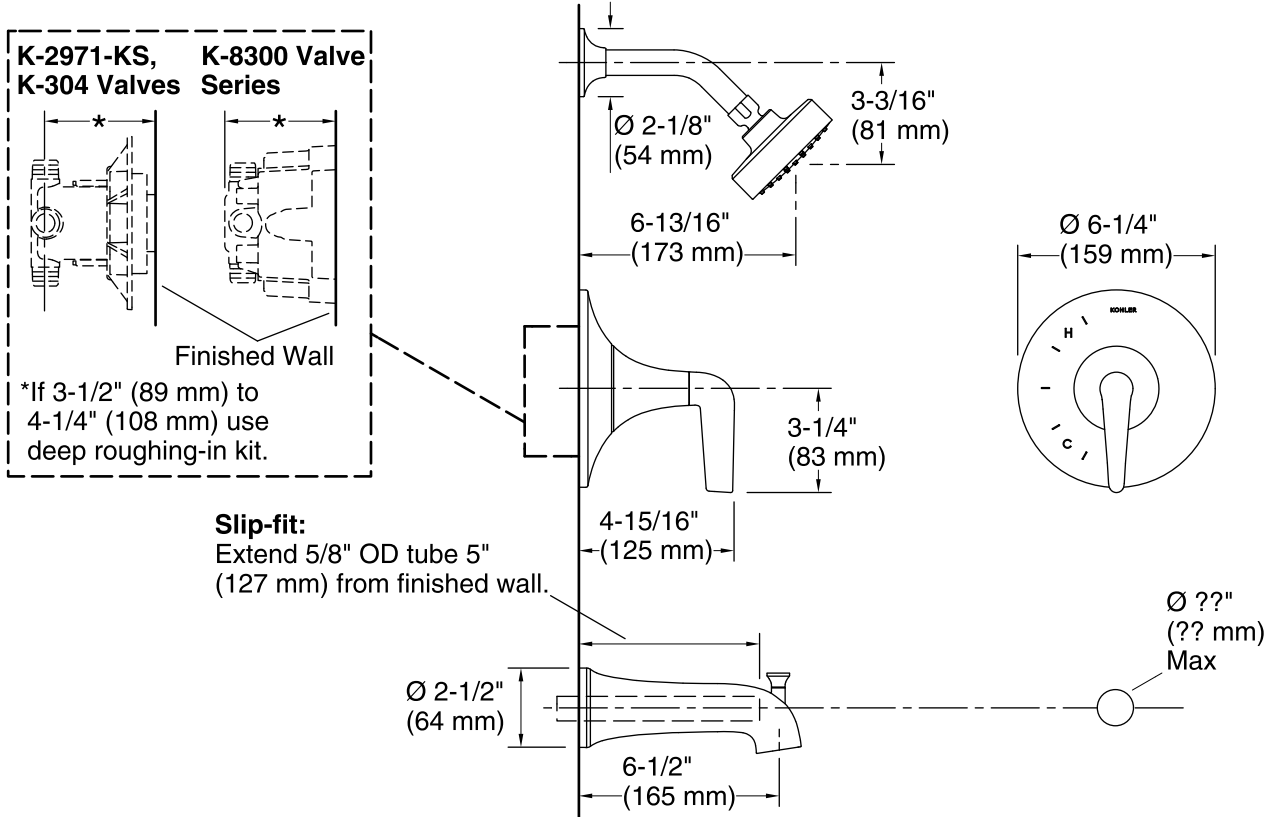
SN Vibrant® Polished Nickel



BN Vibrant® Brushed Nickel



BL Matte Black



### Technical Information

All product dimensions are nominal.

#### Shower Valve:

Flow rate - Max: 5 gal/min (18.9 l/min)  
 Pressure - Max: 45 psi (3.1 bar)  
 Min. pressure IN: 20 psi (1.4 bar)  
 Drain included: Yes

#### Showerhead/Body Spray:

Rated maximum flow: 1.8 gal/min (6.8 l/min)  
 Pressure: 80 psi (5.5 bar)

### Notes

For use with automatic compensating valves rated at 1.08 gal/min (4.1 l/min) or less.

Install this product according to the installation instructions.

Install straight pipe or tube drop of 7" (178 mm) to 18" (457 mm) with single elbow between the valve and the wall-mount spout.

**NOTICE:** Risk of product damage. Long screws, for installing trim, can damage the K-2971-KS valve. Consult the trim installation guide to verify if the thin wall installation kit (88526) is needed.