

Features

- Blow-out flush action.
- ¾" (19 mm) rear spud.
- Uses 0.5 to 1.0 gallons per flush.

Material

- Vitreous china.

Installation

- Replaces K-4972-ER.
- Note: If urinal is being purchased as a retrofit for K-4972, a ¾" valve tailpiece is also required; existing 1-1/4" valve tailpiece is not compatible.

Recommended Products/Accessories

- K-23726 Drain treatment
- K-23725 Cast iron cleaner

Included Components

Additional Components:

- 2" outlet spud (Qty 2)
- ¾" inlet spud (Qty 2)
- 5/8" Drain Plug (Qty 2)
- Hanger(s) (Qty 2)



ADA

OBC

Codes/Standards

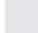


ASME A112.19.2/CSA B45.1
DOE - Energy Policy Act 1992
EPA WaterSense®
ADA
ICC/ANSI A117.1
OBC

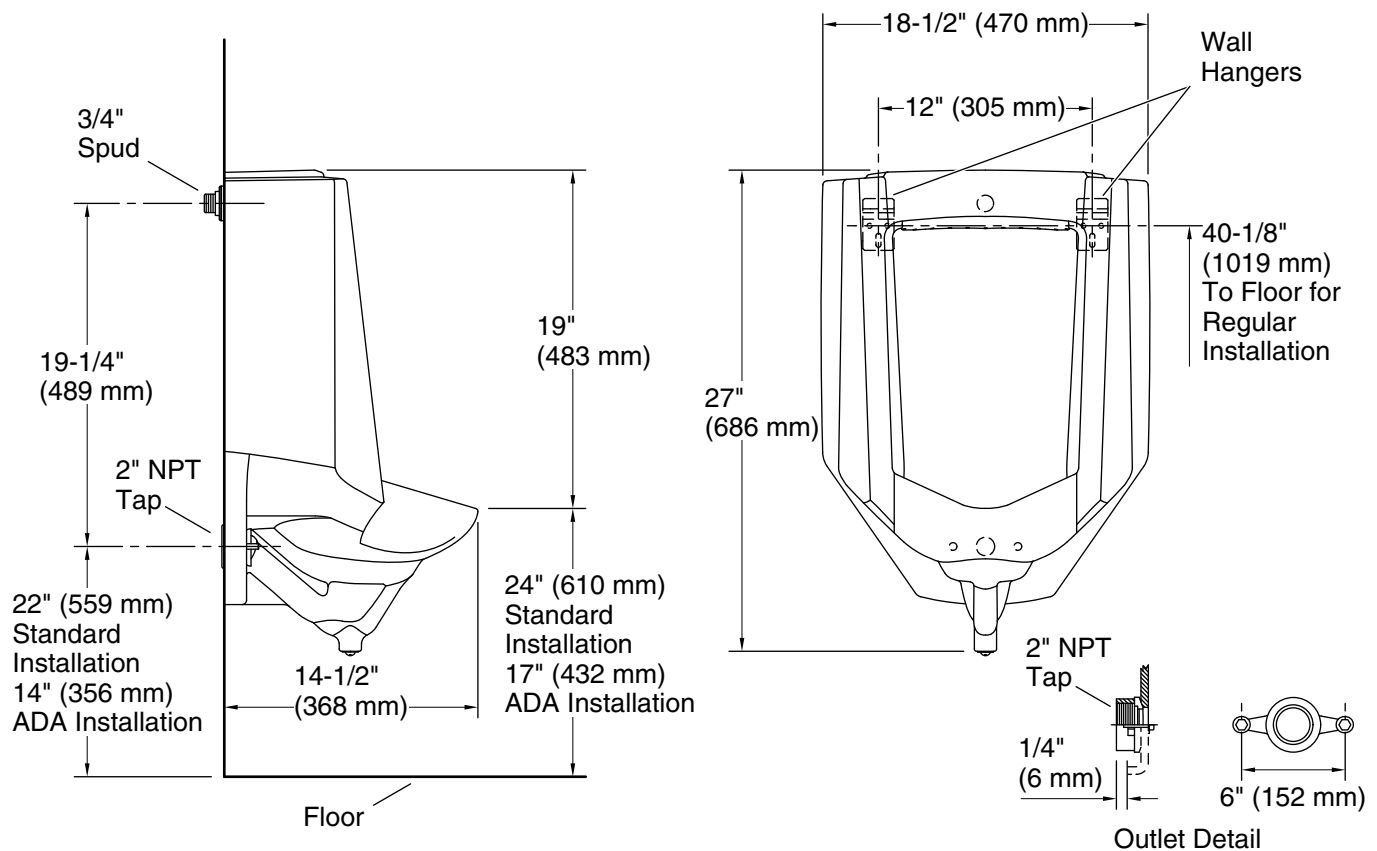
KOHLER® One-Year Limited Warranty

See website for detailed warranty information.

Available Colors/Finishes

Color tiles intended for reference only.

Color	Code	Description
	0	White
	96	Biscuit
	7	Black Black™



Technical Information

All product dimensions are nominal.

Min. Water per Flush: 0.5 gal (1.9 L)

Max. Water per Flush: 1 gal (3.8 L)

Designed for the above water use when installed with a water-saving flushometer.

Pressure and Supply Requirements

Fixture pressure min 25 psi (172.4 kPa)
(static):

Fixture pressure max (static): 80 psi (551.6 kPa)

Notes

Install this product according to the installation instructions.

Refer to manufacturer's instructions and local codes for flushometer requirements.

ADA, OBC compliant when installed to the specific requirements of these regulations.