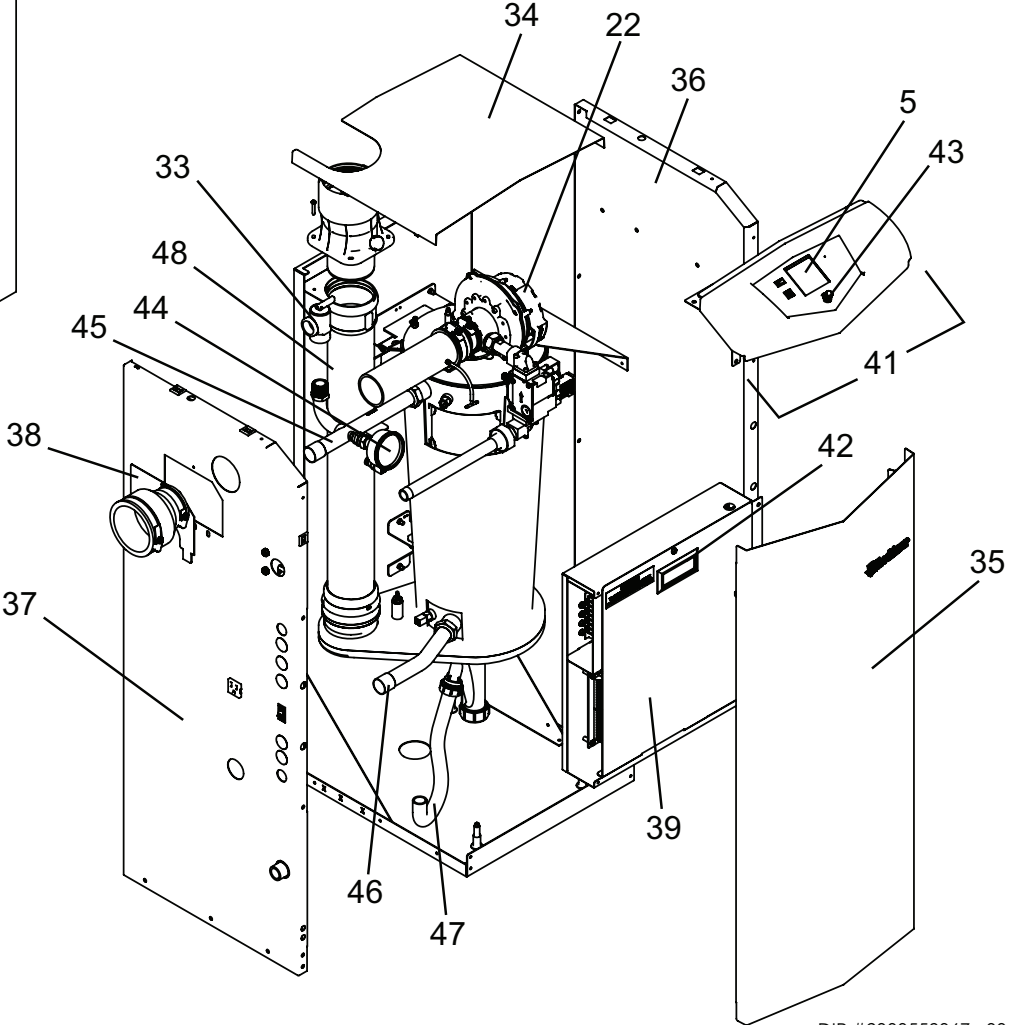
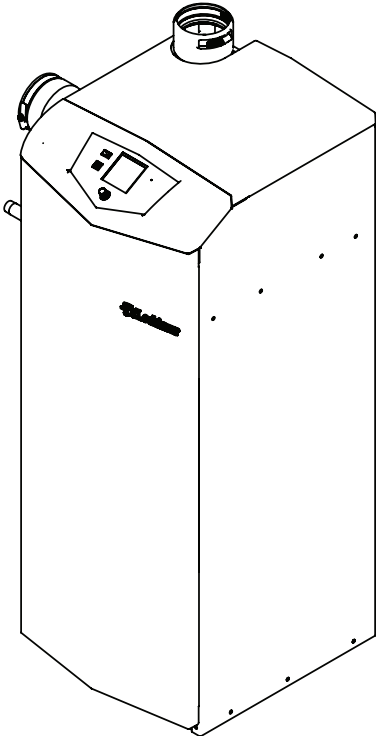




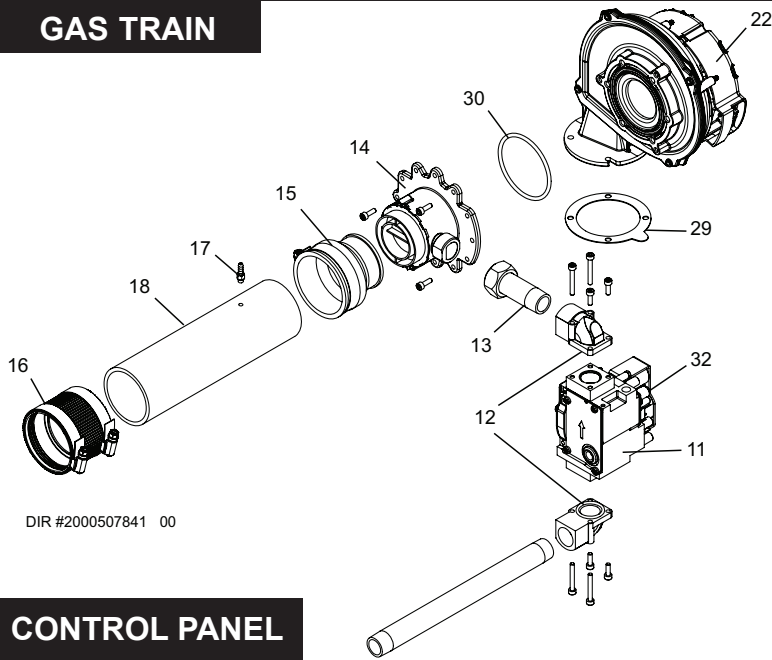
Replacement Parts List

PARTS & SERVICE DEPARTMENT
Nashville, Tennessee
877-554-5544 • Fax: 615-882-2918
parts_team@lochinvar.com
www.Lochinvar.com

Knight Fire Tube Boilers KHB 055 thru 285 Series 100 & 101

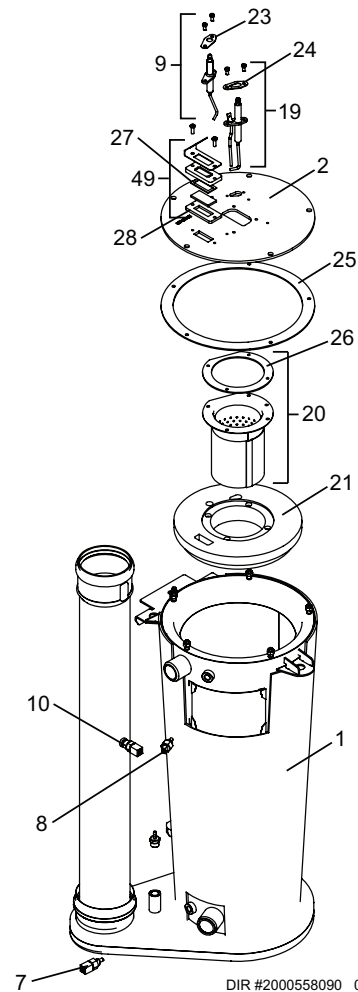


GAS TRAIN



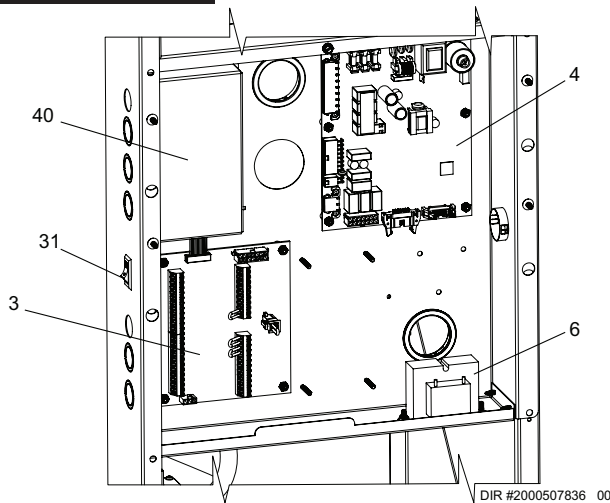
DIR #2000507841 00

HEAT EXCHANGER



DIR #2000558090 00

CONTROL PANEL



DIR #2000507836 00

ITEM NO.	PART NO.	DESCRIPTION	MODEL
HEAT EXCHANGER ASSEMBLY			
1	100266940	HEAT EXCHANGER - ASME - H STAMP - 55 MBH	KHB 055
1	100266951	HEAT EXCHANGER - ASME - H STAMP - 85 MBH	KHB 085
1	100266953	HEAT EXCHANGER - ASME - H STAMP - 110 MBH	KHB 110
1	100266958	HEAT EXCHANGER - ASME - H STAMP - 155 MBH	KHB 155
1	100266959	HEAT EXCHANGER - ASME - H STAMP - 199 MBH	KHB 199
1	100266971	HEAT EXCHANGER - ASME - H STAMP - 285 MBH	KHB 285
2	100268111	HEAT EXCHANGER TOP PLATE ASSEMBLY	KHB 055 - 085
2	100268112	HEAT EXCHANGER TOP PLATE ASSEMBLY	KHB 110 - 155
2	100268113	HEAT EXCHANGER TOP PLATE ASSEMBLY	KHB 199 - 285
CONTROLS & ELECTRICAL COMPONENTS			
3	100277940*	LOW VOLTAGE CONNECTION BOARD	ALL
4	100304134*	MAIN CONTROL BOARD	KHB 055
4	100304135*	MAIN CONTROL BOARD	KHB 085
4	100304136*	MAIN CONTROL BOARD	KHB 110
4	100304137*	MAIN CONTROL BOARD	KHB 155
4	100304138*	MAIN CONTROL BOARD	KHB 199
4	100304140*	MAIN CONTROL BOARD	KHB 285
4	100304141*	MAIN CONTROL BOARD, HIGH ALTITUDE	KHB 055
4	100304142*	MAIN CONTROL BOARD, HIGH ALTITUDE	KHB 085
4	100304144*	MAIN CONTROL BOARD, HIGH ALTITUDE	KHB 110
4	100304145*	MAIN CONTROL BOARD, HIGH ALTITUDE	KHB 155
4	100304116*	MAIN CONTROL BOARD, HIGH ALTITUDE	KHB 199
4	100304117*	MAIN CONTROL BOARD, HIGH ALTITUDE	KHB 285
5	100304118*	USER INTERFACE CONTROL	ALL
-	100304205	LABEL, USER INTERFACE OVERLAY	ALL

PLEASE HAVE MODEL AND SERIAL NUMBER WHEN ORDERING PARTS

*ITEMS DENOTE SUGGESTED INVENTORY PARTS

ITEM NO.	PART NO.	DESCRIPTION	MODEL
CONTROLS (CONTINUED)			
6	100208230	TRANSFORMER, 120 X 24V, 40VA, 60HZ	ALL
-	100208808*	FUSE, TIME DELAY, 1.25A, 250V, CLASS T	ALL
-	100208231*	FUSE, TIME DELAY, 3.15A, 250V, CLASS T	ALL
-	100290102*	FUSE, TIME DELAY, 6.3A, 250V, CLASS T	ALL
-	100304120*	LINE VOLTAGE RECEPTACLE	ALL
SENSORS			
7	100208560*	SENSOR, IMMERSION / INLET	ALL
8	100208547*	SENSOR, IMMERSION / OUTLET	ALL
9	100165930*	SENSOR, FLAME W/ GASKET & SCREWS	ALL
10	100287156*	SENSOR, FLUE TEMP W/ GROMMET	ALL
-	100157775*	SENSOR, SYSTEM W/ BULB WELL & SLEEVE	ALL
-	100208552	SENSOR, SYSTEM, T-STAT ONLY	ALL
-	100208569	BULB WELL, 1/4" NPT	ALL
-	100208834*	SENSOR KIT, OUTDOOR AIR	ALL
GAS VALVES & COMPONENTS			
11	100268028*	GAS VALVE W/ FLANGE & SCREWS	KHB 055
11	100268029*	GAS VALVE W/ FLANGE & SCREWS	KHB 085
11	100268030*	GAS VALVE W/ FLANGE & SCREWS	KHB 110
11	100268031*	GAS VALVE W/ FLANGE & SCREWS	KHB 155
11	100268032*	GAS VALVE W/ FLANGE & SCREWS	KHB 199
11	100268033*	GAS VALVE W/ FLANGE & SCREWS	KHB 285
12	100275534	FLANGE, GAS VALVE W/ GASKET	ALL
13	100275537	ADAPTER, GAS VALVE UNION W/ GASKET	ALL
14	100287149	VENTURI W/ GASKETS - NATURAL	KHB 055 - 085
14	100287147	VENTURI W/ GASKETS - NATURAL	KHB 110
14	100287145	VENTURI W/ GASKETS - NATURAL	KHB 155
14	100287143	VENTURI W/ GASKETS - NATURAL	KHB 199
14	100287142	VENTURI W/ GASKETS - NATURAL	KHB 285
14	100287130	VENTURI W/ GASKETS - LP	KHB 055
14	100287129	VENTURI W/ GASKETS - LP	KHB 085
14	100287127	VENTURI W/ GASKETS - LP	KHB 110
14	100287126	VENTURI W/ GASKETS - LP	KHB 155
14	100287124	VENTURI W/ GASKETS - LP	KHB 199
14	100287123	VENTURI W/ GASKETS - LP	KHB 285
15	100275550	COUPLING, VENTURI W/ CLAMPS	KHB 055 - 199
15	100287122	COUPLING, VENTURI W/ CLAMPS	KHB 285
16	100287121	COUPLING, AIR INLET - 2"	KHB 055 - 085
16	100275561	COUPLING, AIR INLET - 3"	KHB 110 - 285
17	100208326	HOSE BARB, BRASS, 10 32 X 1/8 NPT	ALL
18	100290058	INLET CONNECTION, AIR, 2" X 8", PVC	ALL
-	100287025	AIR SHUTTER W/ GASKETS - LP	KHB 055 - 085
-	100287022	AIR SHUTTER W/ GASKETS - LP	KHB 110
-	100287020	AIR SHUTTER W/ GASKETS - LP	KHB 155
-	100284239	AIR SHUTTER W/ GASKETS - LP	KHB 199 - 285
-	100287017	ORIFICE, VALVE - LP	KHB 110
-	100287011	ORIFICE, VALVE - LP	KHB 155 - 199
IGNITION & BURNER ASSEMBLIES			
19	100165925*	IGNITOR, SPARK W/ GASKET	ALL
20	100267965	MAIN BURNER ASSEMBLY, 55 - 85K BTU MODELS	KHB 055 - 085
20	100267967	MAIN BURNER ASSEMBLY, 110 - 155K BTU MODELS	KHB 110 - 155
20	100267968	MAIN BURNER ASSEMBLY, 199 - 285K BTU MODELS	KHB 199 - 285
21	100287088	INSULATION, BURNER / TOP PLATE	KHB 055 - 085
21	100287087	INSULATION, BURNER / TOP PLATE	KHB 110 - 155
21	100287086	INSULATION, BURNER / TOP PLATE	KHB 199 - 285
FAN ASSEMBLIES			
22	100266999*	FAN ASSEMBLY W/ GASKETS, 120V, 60HZ	KHB 055 - 155
22	100275531*	FAN ASSEMBLY W/ GASKETS, 120V, 60HZ	KHB 199 - 285
GASKETS & GASKET KITS			
23	100208091	GASKET, FLAME SENSOR	ALL
-	100208321*	GROMMET, FLUE SENSOR	ALL
-	100275538	GASKET, GAS VALVE	ALL
24	100208086	GASKET, SPARK IGNITOR	ALL

PLEASE HAVE MODEL AND SERIAL NUMBER WHEN ORDERING PARTS
*ITEMS DENOTE SUGGESTED INVENTORY PARTS

ITEM NO.	PART NO.	DESCRIPTION	MODEL
GASKETS & GASKET KITS (CONTINUED)			
25	100287111*	GASKET, HEAT EXCHANGER TOP PLATE	KHB 055 - 085
25	100287096*	GASKET, HEAT EXCHANGER TOP PLATE	KHB 110 - 155
25	100287094*	GASKET, HEAT EXCHANGER TOP PLATE	KHB 199 - 285
26	100287092*	GASKET, BURNER	KHB 055 - 085
26	100287091*	GASKET, BURNER	KHB 110 - 155
26	100287090*	GASKET, BURNER	KHB 199 - 285
27	100275564	GASKET, SIGHT GLASS - UPPER	ALL
28	100275566	GASKET, SIGHT GLASS - LOWER	ALL
29	100208101*	GASKET, FAN	ALL
30	100277743*	GASKET, VENTURI	KHB 055 - 155
30	100208761*	GASKET, VENTURI	KHB 199 - 285
-	100287071	GASKET, WATER PIPE - 1"	KHB 055 - 155
-	100278051	GASKET, WATER PIPE - 1-1/4"	KHB 199 - 285
SWITCHES			
31	100208242	SWITCH, ON/OFF W/ I-O SYMBOL	ALL
32	100275533	SWITCH, GAS VALVE, ON/OFF	ALL
-	100287155*	SWITCH, PRESSURE - 3.2" WC	KHB 055 - 155
-	100287154*	SWITCH, PRESSURE - 4.1" WC	KHB 199 - 285
RELIEF, TEMP. & PRESSURE, & MISC. VALVES			
33	100284289	RELIEF VALVE, PRESSURE, 3/4, 30 PSI, 510MBTU	ALL
WIRE HARNESES & RIBBON CABLES			
-	100304119	HARNESS, POWER	ALL
-	100286988	HARNESS, UNIT	ALL
-	100208620	HARNESS, IGNITOR	ALL
-	100278061	HARNESS, FLAME SENSOR	ALL
-	100286981	HARNESS, CONNECTION BOARD	ALL
-	100208636	CABLE, RIBBON	ALL
JACKET ASSEMBLY			
34	100304225	JACKET, OUTER TOP	KHB 055 - 085
34	100304226	JACKET, OUTER TOP	KHB 110 - 285
35	100304224	JACKET, OUTER FRONT	ALL
36	100268025	JACKET, OUTER RIGHT	ALL
37	100304227	JACKET, OUTER LEFT	KHB 055 - 085
37	100304213	JACKET, OUTER LEFT	KHB 110 - 155
37	100304214	JACKET, OUTER LEFT	KHB 199 - 285
38	100290078	COVER PANEL, WATER OUTLET	ALL
39	100290073	COVER PANEL, CONTROL BOX	ALL
40	100304223	COVER PANEL, JUNCTION BOX	ALL
41	100304202	BEZEL ASSEMBLY, DISPLAY	ALL
42	100288542	HANDLE, DOOR, 3"	ALL
-	100232751*	DOOR CATCH, BLUE	ALL
-	100208818*	DOOR STRIKE	ALL
PUMPS			
-	100304109*	PUMP ASSEMBLY, 0-10 VDC, UPML, 1" FLANGE	KHB 055 - 155
-	100304110*	PUMP ASSEMBLY, 0-10 VDC, UPMXL, 1-1/4" FLANGE	KHB 199 - 285
-	100304131*	FLANGE KIT, 1" NPT, CAST IRON	KHB 055 - 085
-	100304132*	FLANGE KIT, 1-1/4" NPT, CAST IRON	KHB 110 - 285
MISCELLANEOUS COMPONENTS			
43	100277824	KNOB, FLUTED W/ SKIRT	ALL
44	100208152	GAUGE, T&P, 0-75 PSI, 50-320F, 2-1/2 X 3/8	ALL
45	100290112	WATER TUBE, OUTLET, COP, 1"	KHB 055 - 085
45	100278116	WATER TUBE, OUTLET, COP, 1"	KHB 110 - 155
45	100290113	WATER TUBE, OUTLET, COP, 1-1/4"	KHB 199 - 285
46	100290110	WATER TUBE, INLET, COP, 1"	KHB 055 - 085
46	100290111	WATER TUBE, INLET, COP, 1"	KHB 110 - 155
46	100278040	WATER TUBE, INLET, COP, 1-1/4"	KHB 199 - 285
-	100284286	CONDENSATE TRAP	ALL
47	100304128	HOSE, CONDENSATE TRAP	ALL
48	100304108	PIPE, FLUE - 2" POLYPROPYLENE	KHB 055 - 085
48	100304222	PIPE, FLUE - 3" POLYPROPYLENE	KHB 110 - 285

PLEASE HAVE MODEL AND SERIAL NUMBER WHEN ORDERING PARTS
*ITEMS DENOTE SUGGESTED INVENTORY PARTS

ITEM NO.	PART NO.	DESCRIPTION	MODEL
MISCELLANEOUS (CONTINUED)			
49	100189215	SIGHT GLASS KIT	ALL
-	100304133	HOSE BARB, 1/8 X 1/4 NPT, BRASS	ALL
-	100304206	CONDENSATE DRAIN ASSEMBLY, 3/4" PVC	ALL
-	100304130	INSTALL KIT	KHB 055 - 155
-	100304221	INSTALL KIT	KHB 199 - 285
-	100304106	FLUE ADAPTER, PVC TO POLYPROPYLENE - 2"	KHB 055 - 085
-	100304107	FLUE ADAPTER, PVC TO POLYPROPYLENE - 3"	KHB 110 - 285
-	100284284	ADAPTER, FLUE W/ ANALYZER PORT - 2"	KHB 055 - 085
-	100275600	ADAPTER, FLUE W/ ANALYZER PORT - 3"	KHB 110 - 285
-	100208323	BIRD SCREEN, SS - 2"	KHB 055 - 110
-	100163204	BIRD SCREEN, SS - 3"	KHB155 - 285
-	100268040	LP CONVERSION KIT	KHB 055
-	100268104	LP CONVERSION KIT	KHB 085
-	100285815	LP CONVERSION KIT	KHB 110
-	100285817	LP CONVERSION KIT	KHB 155
-	100285818	LP CONVERSION KIT	KHB 199
-	100268109	LP CONVERSION KIT	KHB 285
-	100157609	SIDEWALL VENT KIT - 2" DIA	KHB 055 - 110
-	100157610	SIDEWALL VENT KIT - 3" DIA	KHB 055 - 285
-	100157611	SIDEWALL VENT KIT - 4" DIA	KHB 285
-	100208652*	LOW WATER CUTOFF, MANUAL RESET	ALL

PLEASE HAVE MODEL AND SERIAL NUMBER WHEN ORDERING PARTS
*ITEMS DENOTE SUGGESTED INVENTORY PARTS

NOTES

NOTES

