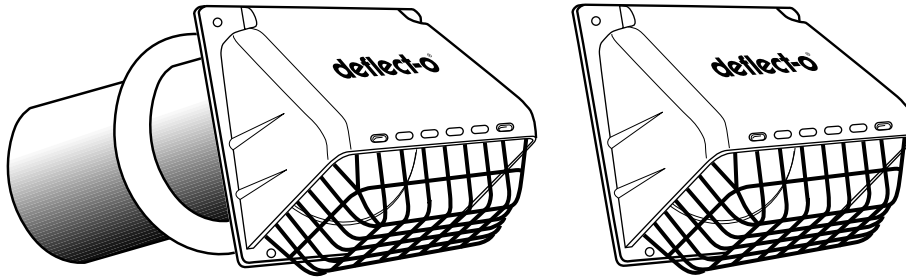




Technical Product Specifications

Dryer Vent - 4" Wide Mouth Hood with removable bird guard, pipe & collar



RVHCW₄, RVHCB₄, RVHXW₄, RVHXB₄, RVHAW₄, RVHAB₄, RVHUW₄, RVHUB₄, VMAB₄, VMAW₄

HR₄W, HR₄B, HRM₄W

Model No.	Description	Color
HR ₄ W	Hood	White
HR ₄ B	Hood	Brown
HRM ₄ W	Hood	White
RVHCW ₄	Hood/pipe/collar unassem.	White
RVHCB ₄	Hood/pipe/collar unassem.	White
RVHXW ₄	Hood/pipe/collar assem.	White
RVHXB ₄	Hood/pipe/collar assem.	Brown
RVHAW ₄	Hood/pipe/collar assem.	White
RVHAB ₄	Hood/pipe/collar assem.	Brown
RVHUW ₄	Hood/pipe/collar unassem.	White
RVHUB ₄	Hood/pipe/collar unassem.	Brown
VMAB ₄	Hood/pipe/collar unassem.	Brown
VMAW ₄	Hood/pipe/collar unassem.	White

Performance Data

for all plastic molded vent hoods

Hood

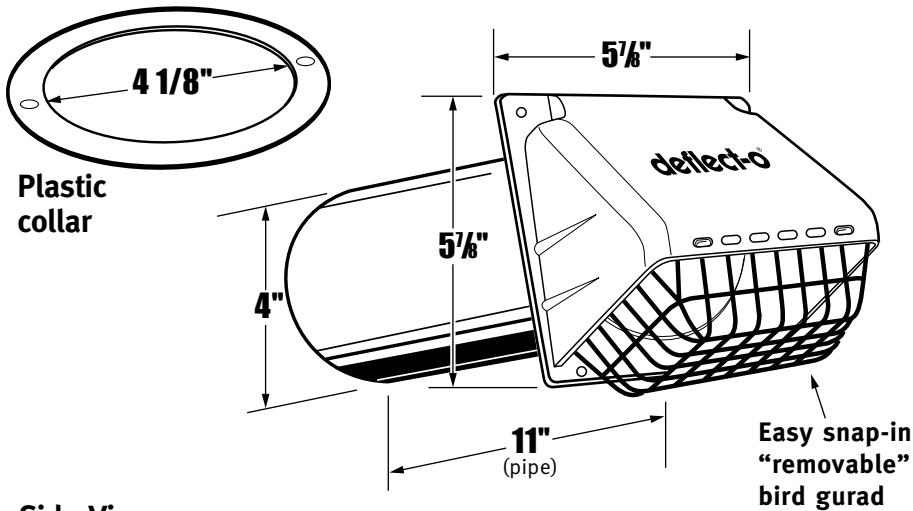
- Calcium filled Polypropylene
- Melting point: 325° F+
- UV Inhibitor added

Pipe

- Aluminum

Collar

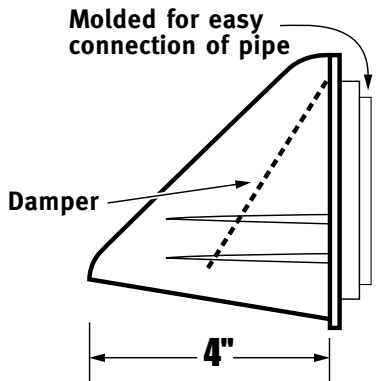
- High impact Styrene



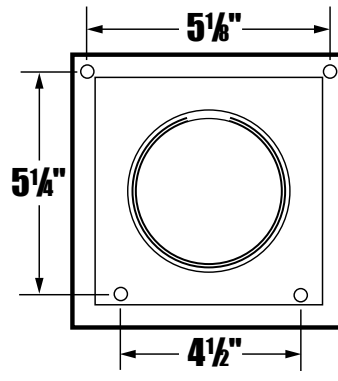
Plastic collar

Easy snap-in "removable" bird guard

Side View



We've designed a full 4" of free air into our dryer vent hoods.



Rear View

General Information

- 4" dia. opening
- quick, easy installation
- removable bird guard helps prevent birds and other pests from nesting in vent or entering home
- durable weather resistant

Hood Dia.	CFM	p/d in/w.c.
4" (10.2 cm)	50	.025
4" (10.2 cm)	75	.026
4" (10.2 cm)	100	.029
4" (10.2 cm)	125	.03
4" (10.2 cm)	150	.03
4" (10.2 cm)	175	.04