

SERVICE PARTS LIST FOR MITSUBISHI ELECTRIC PACKAGED AIR-CONDITIONERS

Series : PVFY-P•NAMU-E

For use with the R410A

REVISED

May 2015

BWE01431B

INDEX

PVFY-P12NAMU-E

PVFY-P18NAMU-E

PVFY-P24NAMU-E

PVFY-P30NAMU-E

PVFY-P36NAMU-E

PVFY-P48NAMU-E

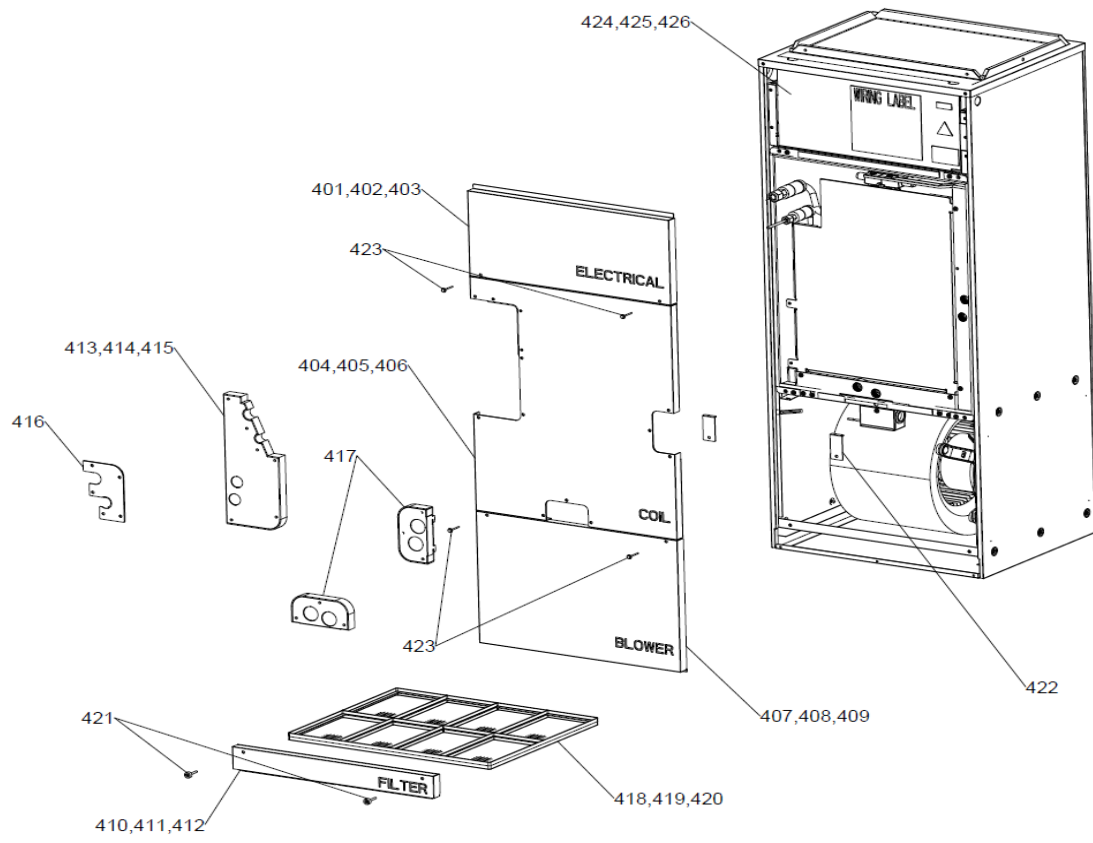
PVFY-P54NAMU-E

Part information update day : 2015/05/20

Please change the old catalog (issued Feb. 2015, No.BWE01431A) to this new catalog.

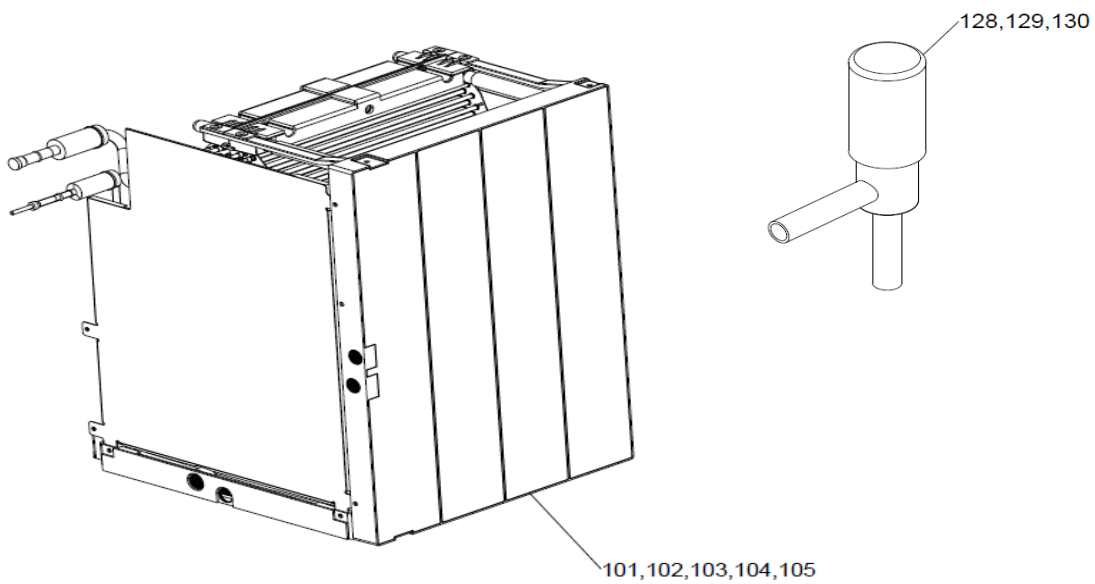
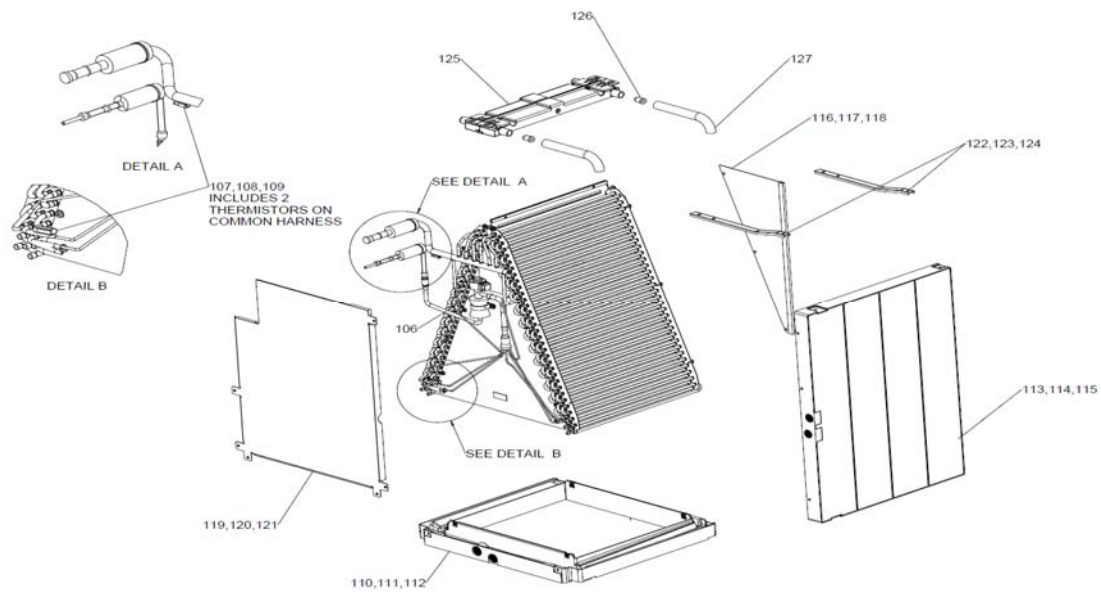
Content of revision : Some of parts are changed.





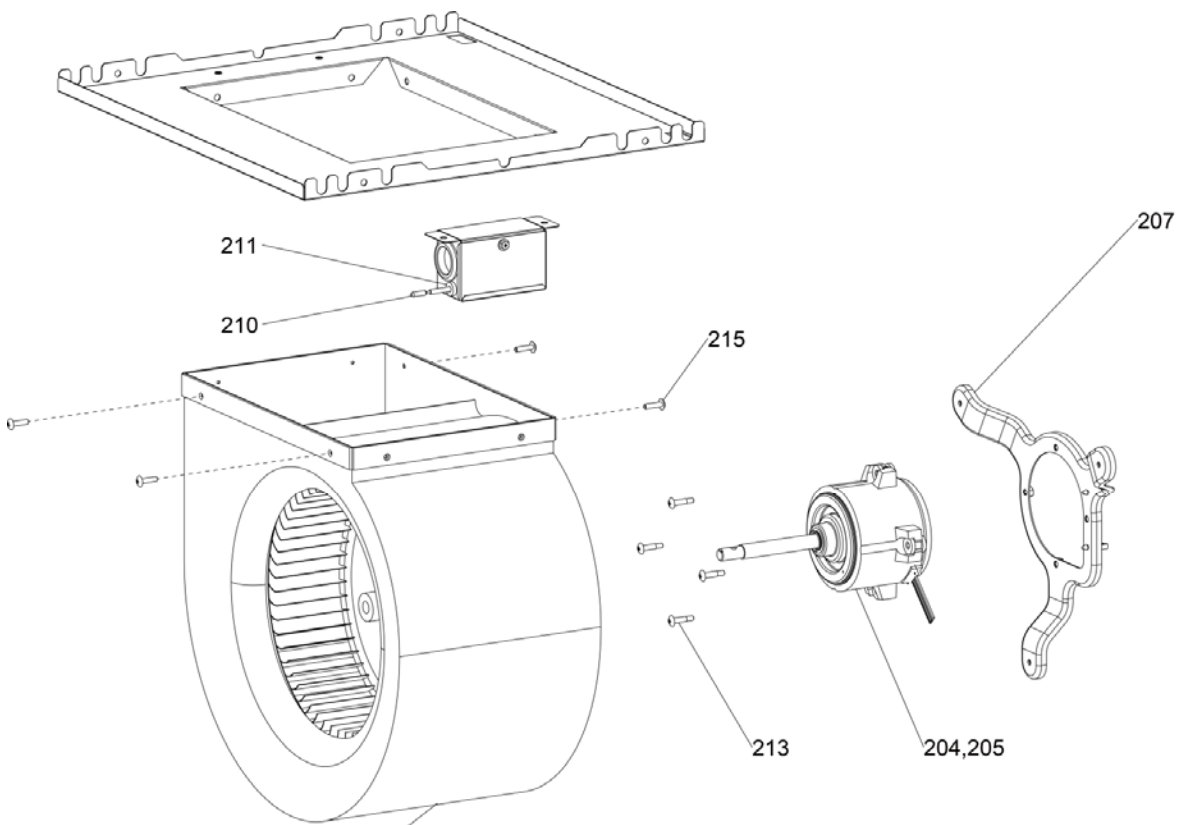
External Parts

No.	Part No.	Part Name	Spec.	PV	PV	PV	PV	PV	PV	Dwg. No.	Notes for models	Revision info.
				FY-P12	FY-P18	FY-P24	FY-P30	FY-P36	FY-P48			
401	U41 001 638	FRONT PANEL ELECTRICAL S		1	1	1				PA00C246G01		
402	U41 002 638	FRONT PANEL ELECTRICAL M					1	1		PA00C246G02		
403	U41 003 638	FRONT PANEL ELECTRICAL L							1	1	PA00C246G03	
404	U41 001 639	FRONT PANEL HEX S		1	1	1					PA00B097G01	
405	U41 002 639	FRONT PANEL HEX M					1	1			PA00B097G02	
406	U41 003 639	FRONT PANEL HEX L							1	1	PA00B097G03	
407	U41 001 637	FRONT PANEL BLOWER S		1	1	1					PA00C247G01	
408	U41 002 637	FRONT PANEL BLOWER M					1	1			PA00C247G02	
409	U41 003 637	FRONT PANEL BLOWER L							1	1	PA00C247G03	
410	U41 001 636	FRONT PANEL FILTER S		1	1	1					PA00C251G01	
411	U41 002 636	FRONT PANEL FILTER M					1	1			PA00C251G02	
412	U41 003 636	FRONT PANEL FILTER L							1	1	PA00C251G03	
413	U41 001 635	PIPE/DRAIN PANEL S		1	1	1					PA00C236G01	
414	U41 002 635	PIPE/DRAIN PANEL M					1	1			PA00C236G02	
415	U41 003 635	PIPE/DRAIN PANEL L							1	1	PA00C236G03	
416	U41 004 635	PIPE PANEL		1	1	1	1	1	1	1	PA00D164G01	
417	U41 005 635	DRAIN PANEL		2	2	2	2	2	2	2	PA00D162G01	
418	U41 004 500	FILTER-PLASTIC S		1	1	1					PA35B051G01	16X20
419	U41 005 500	FILTER-PLASTIC M					1	1			PA35B052G01	20X20
420	U41 006 500	FILTER-PLASTIC L							1	1	PA35B053G01	24X20
421	U41 001 087	PLASTIC THUMBSCREW		2	2	2	2	2	2	2	PA12D179H01	M5X35
422	U41 001 086	COIL BRACKET		1	1	1	2	2	2	2	PA00D163G01	
423	U41 002 087	SCREW M5X40		4	4	4	4	4	4	4	PA12D177H01	
424	U41 001 812	COVER CONTROL BOX S		1	1	1					PA02C150H01	
425	U41 002 812	COVER CONTROL BOX M					1	1			PA02C141H01	
426	U41 003 812	COVER CONTROL BOX L							1	1	PA02C132H01	

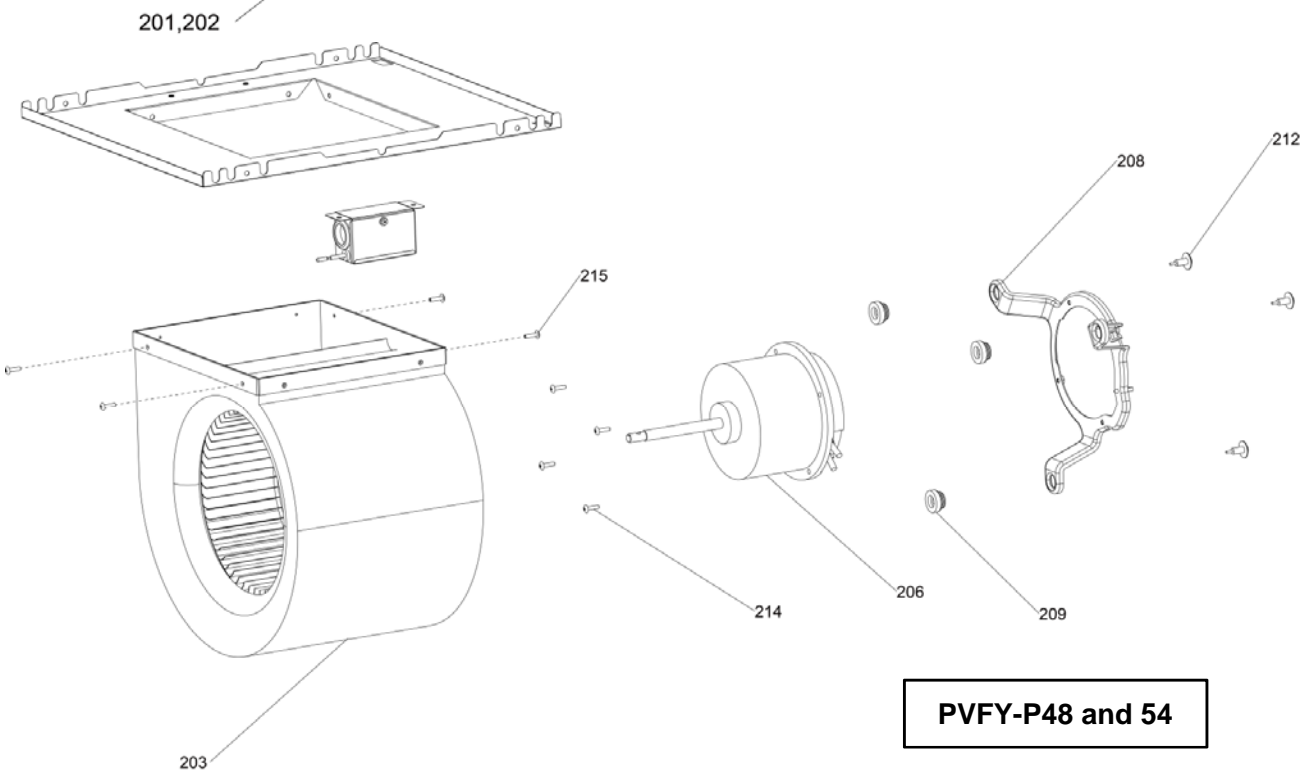


Hex Assembly Parts

No.	Part No.	Part Name	Spec.	PVFY-P12	PVFY-P18	PVFY-P24	PVFY-P30	PVFY-P36	PVFY-P48	PVFY-P54	Dwg. No.	Notes for models	Revision info.
101	U41 011 480	HEAT EXCHANGER P12		1	1						PA00B029B01	Includes all hex parts	
102	U41 012 480	HEAT EXCHANGER P24				1					PA00B029B02	Includes all hex parts	
103	U41 013 480	HEAT EXCHANGER P30					1	1			PA00B030B01	Includes all hex parts	
104	U41 014 480	HEAT EXCHANGER P48							1		PA00B031B01	Includes all hex parts	
105	U41 015 480	HEAT EXCHANGER P54								1	PA00B031B02	Includes all hex parts	
106	U41 001 243	SOLENOID COIL PAM		1	1	1	1	1	1	1	PA50B086H01		
107	U41 003 200	THERMISTOR		1	1	1					KB71B945H05		
108	U41 004 200	THERMISTOR					1	1			KB71B945H06		
109	U41 005 200	THERMISTOR							1	1	KB71B945H07		
110	U41 006 529	DRAIN PAN ASSY LOWER S		1	1	1					PA00B098G01		
111	U41 007 529	DRAIN PAN ASSY LOWER M					1	1			PA00B098G02		
112	U41 008 529	DRAIN PAN ASSY LOWER L							1	1	PA00B098G03		
113	U41 009 529	DRAIN PAN ASSY SIDE S		1	1	1					PA00C248G01		
114	U41 010 529	DRAIN PAN ASSY SIDE M					1	1			PA00C248G02		
115	U41 011 529	DRAIN PAN ASSY SIDE L							1	1	PA00C248G03		
116	U41 001 668	PLATE GUIDE REAR S		1	1	1					PA00D171G01		
117	U41 002 668	PLATE GUIDE REAR M					1	1			PA00D171G02		
118	U41 003 668	PLATE GUIDE REAR L							1	1	PA00D171G03		
119	U41 004 668	PLATE GUIDE FRONT S		1	1	1					PA00C242G01		
120	U41 005 668	PLATE GUIDE FRONT M					1	1			PA00C242G02		
121	U41 006 668	PLATE GUIDE FRONT L							1	1	PA00C242G03		
122	U41 001 662	SIDE PAN BRACKET S		2	2	2					PA02C077H01		
123	U41 002 662	SIDE PAN BRACKET M					2	2			PA02C078H01		
124	U41 003 662	SIDE PAN BRACKET L							2	2	PA02C079H01		
125	U41 012 529	DRAIN PAN ASSY TOP		2	2	2	2	2	2	2	PA00C279G01		
126	U41 002 558	PLUG-TOP DRAIN PAN		4	4	4	4	4	4	4	C126C778H17		
127	U41 001 525	HOSE-TOP DRAIN PAN		2	2	2	2	2	2	2	PA27D214H02		
128	U41 004 401	LEV PAM		1	1	1					PA50B083H01		
129	U41 005 401	LEV PAM					1	1	1		PA50B084H01		
130	U41 006 401	LEV PAM								1	PA50B085H02		



PV FY-P12, 18, 24, 30 and 36

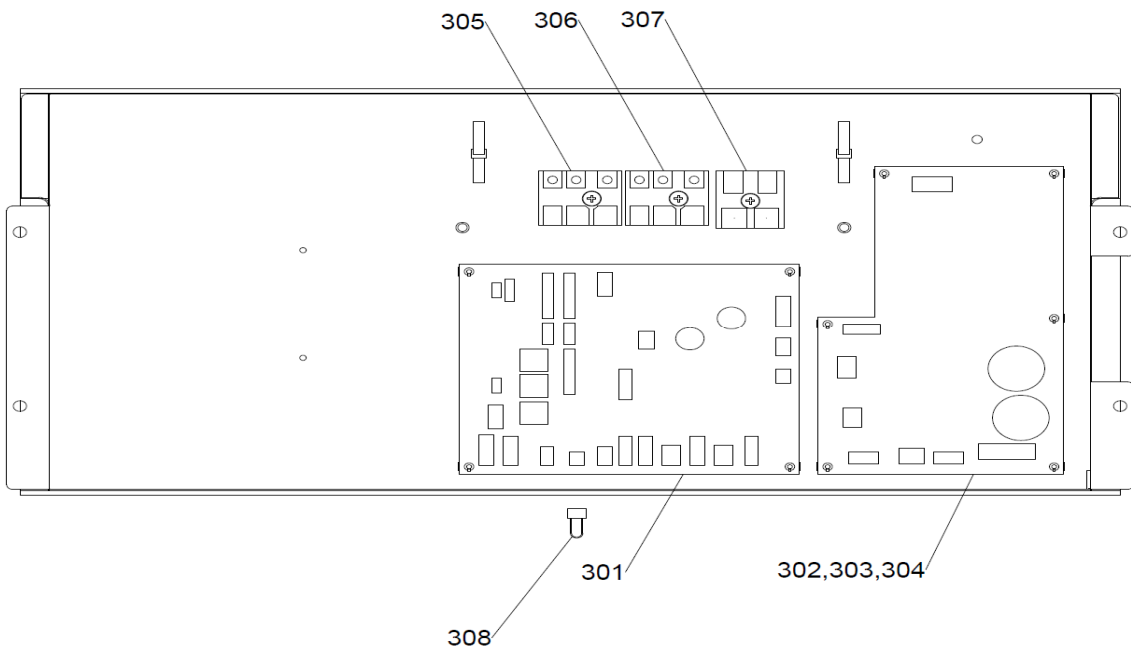


PV FY-P48 and 54

Blower Parts

No.	Part No.	Part Name	Spec.	PVFY-P12	PVFY-P18	PVFY-P24	PVFY-P30	PVFY-P36	PVFY-P48	PVFY-P54	Dwg. No.	Notes for models	Revision info.
201	U41 008 129	FAN CASE S		1	1	1					PA00C499G01	INCLUDES NO.215	Chg.
202	U41 009 129	FAN CASE M					1	1			PA00C499G02	INCLUDES NO.215	Chg.
203	U41 010 129	FAN CASE L							1	1	PA00C499G03	INCLUDES NO.215	Chg.
204	U41 003 128	BLOWER MOTOR S		1	1	1					PA61B071H02		
205	U41 004 128	BLOWER MOTOR M					1	1			PA61B072H02		
206	U41 005 128	BLOWER MOTOR L							1	1	PA61B073H03		
207	U41 001 130	MOTOR BRACKET S M		1	1	1	1	1			PA00D167G02		
208	U41 002 130	MOTOR BRACKET L							1	1	PA00D168G01		
209	U41 103 104	RUBBER GROMMET							3	3	PA32D195H01		
210	U41 001 287	THERMISTOR RETURN AIR		1	1	1	1	1	1	1	PA71C160H01		
211	U41 002 104	BUSHING SRB-R-2		1	1	1	1	1	1	1	KB32K138H01		
212	U41 003 087	SCREW SPECIAL							3	3	PA12D193H01		
213	U41 005 087	BOLT MOTOR (S, M)		4	4	4	4	4			PA12D178H01		
214	U41 006 087	BOLT MOTOR (L)							4	4	PA12D194H01		
215	U41 007 087	SCREW M5X20		4	4	4	4	4	4	4	PA12D247H01		Add

**Note U41002104 already used on a previous model.



Control Box Parts

No.	Part No.	Part Name	Spec.	PV	PV	PV	PV	PV	PV	Dwg. No.	Notes for models	Revision info.
				FY-P12	FY-P18	FY-P24	FY-P30	FY-P36	FY-P48			
301	U41 007 280	PCA ASSY PVFY		1	1	1	1	1	1	PA95D226G01	INCLUDES NO.308	
302	U41 001 281	PCA BOARD POWER		1	1	1				KE95B740F01		
303	U41 002 281	PCA BOARD POWER					1	1		KE95B740F02		
304	U41 003 281	PCA BOARD POWER							1	1	KE95B740F03	
305	U41 001 246	TERMINAL BLOCK ASSY		1	1	1	1	1	1	BH00C267G05		
306	U41 002 246	TERMINAL BLOCK ASSY		1	1	1	1	1	1	BH00C267G04		
307	U41 003 246	TERMINAL BLOCK		1	1	1	1	1	1	BG00R200G62		
308	U41 001 G08	JUMPER CONNECTOR		1	1	1	1	1	1	BB00M192G08	CN4F	

**Note U41001246, U41002246, U41003246 also used on a previous model.

MITSUBISHI ELECTRIC CORPORATION

BWE01431B (20150531)