



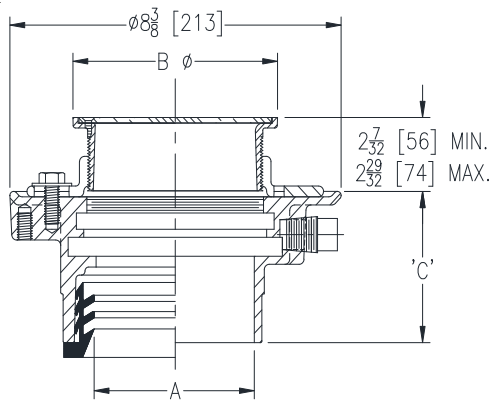
FD1-ROUND TOP

Adjustable Floor Drain With Round Top

SPECIFICATION SHEET

TAG _____

Dimensional Data (inches and [mm]) are Subject to Manufacturing Tolerances and Change Without Notice



ENGINEERING SPECIFICATION:

Zurn FD1 adjustable floor and shower drain, PVC, ABS or cast iron body, with solvent weld, push on, or no hub bottom outlet and clamp collar for use with a waterproof membrane.

SUFFIXES

- ___P 1/2" [13] Trap Primer Connection
- ___PB Polished Brass
- ___VP Vandal Proof

Body Type	Model Number	Dimensions in Inches [mm]			Approx. Wt. Lbs [kg]	Strainer Open Area Sq. In. [cm ²]	Strainer Type
		A	B	C			
PVC	FD1-PV2	2" [51] x 3" [76]	5-3/16 [132]	3 [76]	4 lb [2 kg]	6-1/4 [40]	Nickel Bronze Round
	FD1-PV2-R6	2" [51] x 3" [76]	6 [152]	3 [76]	5 lb [2 kg]	9 [58]	Nickel Bronze Round
	FD1-PV2-SS	2" [51] x 3" [76]	5-3/16 [132]	3 [76]	4 lb [2 kg]	6-1/4 [40]	Stainless Steel Round
	FD1-PV2-R6-SS	2" [51] x 3" [76]	6 [152]	3 [76]	5 lb [2 kg]	9 [58]	Stainless Steel Round
	FD1-PV2-DI	2" [51] x 3" [76]	5-3/16 [132]	3 [76]	4 lb [2 kg]	6-1/4 [40]	Ductile Iron Round
	FD1-PV3	3" [76] x 4" [102]	5-3/16 [132]	3-3/4 [95]	4 lb [2 kg]	6-1/4 [40]	Nickel Bronze Round
	FD1-PV3-R6	3" [76] x 4" [102]	6 [152]	3-3/4 [95]	5 lb [2 kg]	9 [58]	Nickel Bronze Round
	FD1-PV3-SS	3" [76] x 4" [102]	5-3/16 [132]	3-3/4 [95]	4 lb [2 kg]	6-1/4 [40]	Stainless Steel Round
	FD1-PV3-R6-SS	3" [76] x 4" [102]	6 [152]	3-3/4 [95]	5 lb [2 kg]	9 [58]	Stainless Steel Round
	FD1-PV3-DI	3" [76] x 4" [102]	5-3/16 [132]	3-3/4 [95]	4 lb [2 kg]	6-1/4 [40]	Ductile Iron Round
	FD1-PV4	4" [102]	5-3/16 [132]	4 [102]	4 lb [2 kg]	6-1/4 [40]	Nickel Bronze Round
	FD1-PV4-R6	4" [102]	6 [152]	4 [102]	5 lb [2 kg]	9 [58]	Nickel Bronze Round
	FD1-PV4-SS	4" [102]	5-3/16 [132]	4 [102]	4 lb [2 kg]	6-1/4 [40]	Stainless Steel Round
	FD1-PV4-R6-SS	4" [102]	6 [152]	4 [102]	5 lb [2 kg]	9 [58]	Stainless Steel Round
	FD1-PV4-DI	4" [102]	5-3/16 [132]	4 [102]	4 lb [2 kg]	6-1/4 [40]	Ductile Iron Round
	ABS	FD1-AB2	2" [51] x 3" [76]	5-3/16 [132]	3 [76]	4 lb [2 kg]	6-1/4 [40]
FD1-AB2-R6		2" [51] x 3" [76]	6 [152]	3 [76]	5 lb [2 kg]	9 [58]	Nickel Bronze Round
FD1-AB2-SS		2" [51] x 3" [76]	5-3/16 [132]	3 [76]	4 lb [2 kg]	6-1/4 [40]	Stainless Steel Round
FD1-AB2-R6-SS		2" [51] x 3" [76]	6 [152]	3 [76]	5 lb [2 kg]	9 [58]	Stainless Steel Round
FD1-AB2-DI		2" [51] x 3" [76]	5-3/16 [132]	3 [76]	4 lb [2 kg]	6-1/4 [40]	Ductile Iron Round
FD1-AB3		3" [76] x 4" [102]	5-3/16 [132]	3-3/4 [95]	4 lb [2 kg]	6-1/4 [40]	Nickel Bronze Round
FD1-AB3-R6		3" [76] x 4" [102]	6 [152]	3-3/4 [95]	5 lb [2 kg]	9 [58]	Nickel Bronze Round
FD1-AB3-SS		3" [76] x 4" [102]	5-3/16 [132]	3-3/4 [95]	4 lb [2 kg]	6-1/4 [40]	Stainless Steel Round
FD1-AB3-R6-SS		3" [76] x 4" [102]	6 [152]	3-3/4 [95]	5 lb [2 kg]	9 [58]	Stainless Steel Round
FD1-AB3-DI		3" [76] x 4" [102]	5-3/16 [132]	3-3/4 [95]	4 lb [2 kg]	6-1/4 [40]	Ductile Iron Round
FD1-AB4		4" [102]	5-3/16 [132]	4 [102]	4 lb [2 kg]	6-1/4 [40]	Nickel Bronze Round
FD1-AB4-R6		4" [102]	6 [152]	4 [102]	5 lb [2 kg]	9 [58]	Nickel Bronze Round
FD1-AB4-SS		4" [102]	5-3/16 [132]	4 [102]	4 lb [2 kg]	6-1/4 [40]	Stainless Steel Round
FD1-AB4-R6-SS		4" [102]	6 [152]	4 [102]	5 lb [2 kg]	9 [58]	Stainless Steel Round
FD1-AB4-DI		4" [102]	5-3/16 [132]	4 [102]	4 lb [2 kg]	6-1/4 [40]	Ductile Iron Round
Push On		FD1-PO2	2" [51]	5-3/16 [132]	4 [102]	7 lb [3 kg]	6-1/4 [40]
	FD1-PO2-R6	2" [51]	6 [152]	4 [102]	8 lb [4 kg]	9 [58]	Nickel Bronze Round
	FD1-PO2-SS	2" [51]	5-3/16 [132]	4 [102]	7 lb [3 kg]	6-1/4 [40]	Stainless Steel Round
	FD1-PO2-R6-SS	2" [51]	6 [152]	4 [102]	8 lb [4 kg]	9 [58]	Stainless Steel Round
	FD1-PO2-DI	2" [51]	5-3/16 [132]	4 [102]	7 lb [3 kg]	6-1/4 [40]	Ductile Iron Round
	FD1-PO3	3" [76]	5-3/16 [132]	4 [102]	8 lb [4 kg]	6-1/4 [40]	Nickel Bronze Round
	FD1-PO3-R6	3" [76]	6 [152]	4 [102]	9 lb [4 kg]	9 [58]	Nickel Bronze Round
	FD1-PO3-SS	3" [76]	5-3/16 [132]	4 [102]	8 lb [4 kg]	6-1/4 [40]	Stainless Steel Round
	FD1-PO3-R6-SS	3" [76]	6 [152]	4 [102]	9 lb [4 kg]	9 [58]	Stainless Steel Round
	FD1-PO3-DI	3" [76]	5-3/16 [132]	4 [102]	8 lb [4 kg]	6-1/4 [40]	Ductile Iron Round
	FD1-PO4	4" [102]	5-3/16 [132]	4 [102]	7 lb [3 kg]	6-1/4 [40]	Nickel Bronze Round
	FD1-PO4-R6	4" [102]	6 [152]	4 [102]	8 lb [4 kg]	9 [58]	Nickel Bronze Round
	FD1-PO4-SS	4" [102]	5-3/16 [132]	4 [102]	7 lb [3 kg]	6-1/4 [40]	Stainless Steel Round
	FD1-PO4-R6-SS	4" [102]	6 [152]	4 [102]	8 lb [4 kg]	9 [58]	Stainless Steel Round
	FD1-PO4-DI	4" [102]	5-3/16 [132]	4 [102]	7 lb [3 kg]	6-1/4 [40]	Ductile Iron Round
	No Hub	FD1-NH2	2" [51]	5-3/16 [132]	4 [102]	7 lb [3 kg]	6-1/4 [40]
FD1-NH2-R6		2" [51]	6 [152]	4 [102]	8 lb [4 kg]	9 [58]	Nickel Bronze Round
FD1-NH2-SS		2" [51]	5-3/16 [132]	4 [102]	7 lb [3 kg]	6-1/4 [40]	Stainless Steel Round
FD1-NH2-R6-SS		2" [51]	6 [152]	4 [102]	8 lb [4 kg]	9 [58]	Stainless Steel Round
FD1-NH2-DI		2" [51]	5-3/16 [132]	4 [102]	7 lb [3 kg]	6-1/4 [40]	Ductile Iron Round
FD1-NH3		3" [76]	5-3/16 [132]	4 [102]	8 lb [4 kg]	6-1/4 [40]	Nickel Bronze Round
FD1-NH3-R6		3" [76]	6 [152]	4 [102]	9 lb [4 kg]	9 [58]	Nickel Bronze Round
FD1-NH3-SS		3" [76]	5-3/16 [132]	4 [102]	8 lb [4 kg]	6-1/4 [40]	Stainless Steel Round
FD1-NH3-R6-SS		3" [76]	6 [152]	4 [102]	9 lb [4 kg]	9 [58]	Stainless Steel Round
FD1-NH3-DI		3" [76]	5-3/16 [132]	4 [102]	8 lb [4 kg]	6-1/4 [40]	Ductile Iron Round
FD1-NH4		4" [102]	5-3/16 [132]	4 [102]	7 lb [3 kg]	6-1/4 [40]	Nickel Bronze Round
FD1-NH4-R6		4" [102]	6 [152]	4 [102]	8 lb [4 kg]	9 [58]	Nickel Bronze Round
FD1-NH4-SS		4" [102]	5-3/16 [132]	4 [102]	7 lb [3 kg]	6-1/4 [40]	Stainless Steel Round
FD1-NH4-R6-SS		4" [102]	6 [152]	4 [102]	8 lb [4 kg]	9 [58]	Stainless Steel Round
FD1-NH4-DI		4" [102]	5-3/16 [132]	4 [102]	7 lb [3 kg]	6-1/4 [40]	Ductile Iron Round