

Victaulic® FireLock™ Zone Control Riser Module Series 747M



1.0 PRODUCT DESCRIPTION

Available Sizes:

- 1 ¼ – 6"/DN32 – DN150

Pipe Material:

- Carbon steel, Schedule 10, Schedule 40

NOTE

- For use with alternative materials please contact Victaulic.

Maximum Working Pressure:

- Up to 365psi/2517kPa/25bar

Application:

- Fire protection system control modules integrated test and drain valve, with customizable test orifice, flow switch and pressure gauge.

Optional Accessories:

- Pressure Relief Kit - UL Listed and FM Approved for working pressures up to 174psi/1200kPa/12bar.

2.0 CERTIFICATION/LISTINGS



DISCONTINUED PRODUCT
SEE PUBLICATIONS 30.71 AND 30.72

ALWAYS REFER TO ANY NOTIFICATIONS AT THE END OF THIS DOCUMENT REGARDING PRODUCT INSTALLATION, MAINTENANCE OR SUPPORT.

System No.		Location	
Submitted By		Date	

Spec Section		Paragraph	
Approved		Date	

3.0 SPECIFICATIONS – MATERIAL

Module Body:

- **Housing:** Cast ductile iron conforming to ASTM A536, Grade 65-45-12.
- **Finish:** Orange enamel.

Shut-off and Test/Drain Valve:

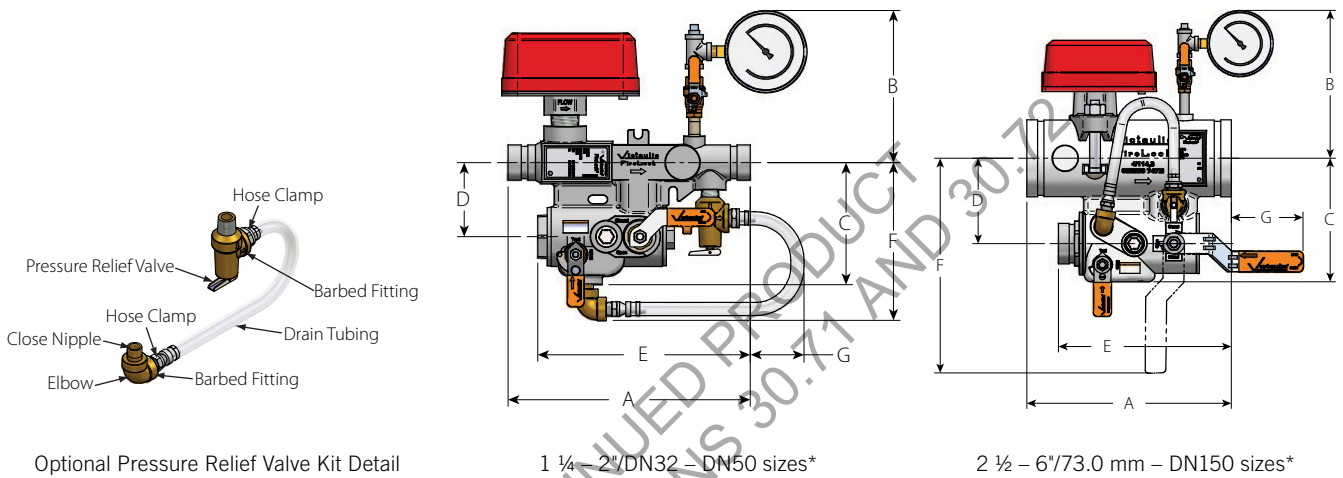
- Chrome plated brass ball, S 37700 brass clapper, 416SS or 410SS shafts, Delrin orifice, virgin Teflon¹, enhanced Teflon and EPDM rubber seals.

¹ Teflon is a registered trademark of Dupont.

Waterflow Detector:

- Vane type waterflow detector with sealed retard, visual switch activation, and mechanical delay adjustment. Cover includes tamper resistant security screws and tool.

4.0 DIMENSIONS



Module Body Size			Dimensions							Weight
Nominal Diameter	Actual Outside Diameter	Drain Size	A	B	C	D	E (Groove)	F	G	Approximate (Each)
inches DN	inches mm	inches mm	inches mm	inches mm	inches mm	inches mm	inches mm	inches mm	inches mm	lb kg
1 1/4 DN32	1.660 42.2	1 33.4	11.45 290.8	7.20 182.9	5.77 146.5	3.50 88.9	10.05 255.3	7.48 190.0	2.54 64.5	15.2 6.9
1 1/2 DN40	1.900 48.3	1 33.4	11.45 290.8	7.32 185.9	5.77 146.5	3.50 88.9	10.05 255.3	7.48 190.0	2.54 64.5	15.5 7.0
2 DN50	2.375 60.3	1 33.4	11.45 290.8	7.55 191.8	5.77 146.5	3.50 88.9	10.05 255.3	7.48 190.0	2.54 64.5	19.9 9.0
2 1/2	2.875 73.0	1 1/4 42	12.00 305	8.41 214	6.18 157	4.25 108	9.76 248	11.87 302	4.25 108	22.7 10.3
3 DN80	3.500 88.9	1 1/4 42	12.00 305	9.42 239	6.18 157	4.25 108	9.76 248	11.87 302	4.25 108	23.2 10.6
4 DN100	4.500 114.3	2 60	12.00 305	9.90 252	7.25 184	5.00 127	10.15 258	12.62 321	4.21 107	30.3 13.8
6 DN150	6.625 168.3	2 60	12.00 305	10.85 276	8.31 211	6.00 154	10.15 258	13.62 346	4.24 107.7	36.7 16.7


* Valves shown in the “test” position and with optional Pressure Relief Valve Kit installed


5.0 PERFORMANCE

Nominal Size inches	Orifices
1.25	K2.8, K3.0, K3.5, K4.2, K4.9, K5.6
1.5	K2.8, K3.0, K3.5, K4.2, K4.9, K5.6
2	K2.8, K3.0, K3.5, K4.2, K4.9, K5.6
2.5	K4.2, K4.9, K5.6, K6.9, K8.0, K11.2, K14.0, K16.8
3	K4.2, K4.9, K5.6, K6.9, K8.0, K11.2, K14.0, K16.8
4	K4.2, K4.9, K5.6, K6.9, K8.0, K11.2, K14.0, K16.8, K25
6	K4.2, K4.8, K5.6, K6.9, K8.0, K11.0, K11.2, K14.0, K16.8, K25

Nominal Size inches	Drain Type	Drain Size inches
1.25	NPT	1
1.5	NPT	1
2	NPT	1
2.5	Grooved	1 ¼
3	Grooved	1 ¼
4	Grooved	2
6	Grooved	2

6.0 NOTIFICATIONS

 **WARNING**



- This product must be installed by an experienced, trained installer, in accordance with the instructions provided with each valve. These instructions contain important information.

Failure to follow these instructions may result in serious personal injury, property damage, or valve leakage.

If you need additional copies of this product literature or the valve installation instructions, or if you have any questions about the safe installation and use of this device, contact Victaulic Company, P.O. Box 31, Easton, PA 18044-0031 USA, Telephone: 001-610-559-3300.

7.0 REFERENCE MATERIALS

- [26.01: Victaulic® Design Data](#)
- [29.01: Victaulic® Terms and Conditions of Sale](#)
- [I-100: Victaulic® Field Installation Handbook](#)
- [I-101/103: Victaulic® FireLock™ No. 101 \(90° Elbow\) and No. 103 \(45° Elbow\) Installation-Ready™ Fittings](#)
- [I-102: Victaulic® FireLock™ No. 102 \(Straight Tee\) Installation-Ready™ Fitting](#)
- [I-108: Style 108 FireLock™ Installation-Ready™ Coupling](#)
- [I-747M: Victaulic® Installation Instructions Series 747M FireLock™ Zone Control Riser Module Assembly](#)

User Responsibility for Product Selection and Suitability

Each user bears final responsibility for making a determination as to the suitability of Victaulic products for a particular end-use application, in accordance with industry standards and project specifications, and the applicable building codes and related regulations as well as Victaulic performance, maintenance, safety, and warning instructions. Nothing in this or any other document, nor any verbal recommendation, advice, or opinion from any Victaulic employee, shall be deemed to alter, vary, supersede, or waive any provision of Victaulic Company's standard conditions of sale, installation guide, or this disclaimer.

Intellectual Property Rights

No statement contained herein concerning a possible or suggested use of any material, product, service, or design is intended, or should be construed, to grant any license under any patent or other intellectual property right of Victaulic or any of its subsidiaries or affiliates covering such use or design, or as a recommendation for the use of such material, product, service, or design in the infringement of any patent or other intellectual property right. The terms "Patented" or "Patent Pending" refer to design or utility patents or patent applications for articles and/or methods of use in the United States and/or other countries.

Note

This product shall be manufactured by Victaulic or to Victaulic specifications. All products to be installed in accordance with current Victaulic installation/assembly instructions. Victaulic reserves the right to change product specifications, designs and standard equipment without notice and without incurring obligations.

Installation

Reference should always be made to the Victaulic installation handbook or installation instructions of the product you are installing. Handbooks are included with each shipment of Victaulic products, providing complete installation and assembly data, and are available in PDF format on our website at www.victaulic.com.

Warranty

Refer to the Warranty section of the current Price List or contact Victaulic for details.

Trademarks

Victaulic and all other Victaulic marks are the trademarks or registered trademarks of Victaulic Company, and/or its affiliated entities, in the U.S. and/or other countries.