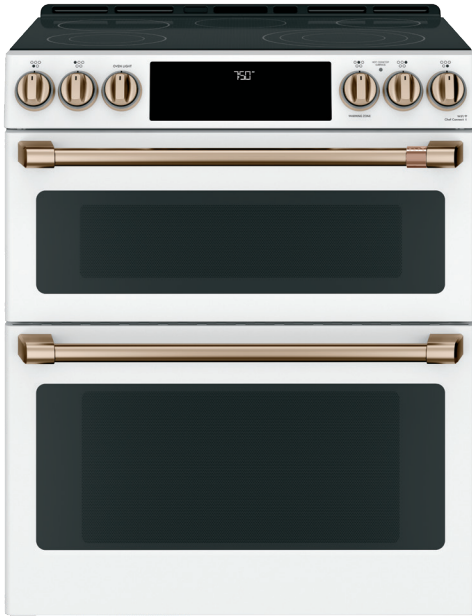


# Café™ 30" Slide-In Front Control Radiant and Convection Double Oven Range

CES750P4MW2 / CES750P3MD1

C A F É



ALSO AVAILABLE IN



CES750P3MD1  
Matte Black with  
Brushed Stainless  
handles and knobs



## FEATURES & BENEFITS

A sleek look is yours with an edge-to-edge glass cooktop that provides a seamless, easy-to-clean surface with more usable cooking space for five course meals.

Tailor your burner size to your cookware with a **12"/9"/6" element** with Power Boil.

From everyday gourmet meals to large dinner parties, achieve impressive results with two independent ovens with a total capacity of **7.0 cu. ft.** for true cooking flexibility, along with the accurate heat circulation of **True European Convection with Precise Air** in the lower oven.

Get roasts and meats just right with a **temperature probe** that lets you monitor progress without opening the oven door.

Every detail of your kitchen is designed to delight, thanks to a sleek **LED control panel** that visually disappears when not in use and wakes up when prompted. Plus, **backlit knobs** bring an extra sparkle to the kitchen.

Control your oven from any room in the house with your Smart phone using **Wifi Connect**.

Create a chef-like experience with **Chef Connect**, which can synchronize your appliance clocks and surface lights and vent when a range element is in use, and even your microwave and range clocks.

When you're updating your kitchen, attention to detail is a priority. That's why **Café 30" slide-in ranges are guaranteed for an exact fit** for an easy and seamless replacement of your current 30" free-standing range.

## APPEARANCE

Oven Door Features	Big View Oven Window Easy clean oven door
Handle	Professional Style; Customizable; Consumer Removable
Handle Design	Café
Textured Steel Side Panels	Yes

## FEATURES

Configuration	Double Oven
Cooking System	True European Convection with Precise Air
Cooking Technology	Convection
Oven Cleaning Type	Self-Clean; Steam Clean
Cooktop Burner Type	Radiant; Smoothtop
Cooktop Surface	Black Ceramic Glass
Control Location	Front controls
Control Type	DigiTemp Temperature Display; Glass Touch; Electronic Oven Controls; Touchpads
Oven Control Features	Audible Preheat Signal; Auto Oven Shut-Off with Override; Auto Recipe Conversion; Auto Self Clean; Certified Sabbath Mode; Chef Connect; Control Lock Capability; C° or F° Programmable; Delay Bake Option (Time Cook); Delay Clean Option; Electronic Clock & Kitchen Timer; Fast Preheat; Hi / Low Broil; Oven "ON" Light; Self- Clean Cool Down Time Display; Temperature Probe; Warm Mode
Oven Cooking Modes	Convection Bake; Convection Roast
Oven Features	6-Pass Broil Element - Upper 8-Pass Broil Element - Lower
Self-Clean Oven Door Lock	Automatic
Oven Rack Features	2 Self-Clean Heavy-Duty Oven Racks; 1 Roller Rack; 6 Rack Positions
Oven Interior	Black Gloss Finish; Interior Oven Light
Connected Capabilities	Amazon Alexa; The Google Assistant; IFTTT; Nest; Drop; Innit; DiGiorno
WiFi Connect	Built-In
Element - Left Front	8"/5" 1900W
Element - Left Rear	8" 2000W
Element - Right Front	12"/9"/6" 3600W Power Boil
Element - Right Rear	6" 1500W
Element - Center	6" 80W Warming Zone
Hot Surface Indicator Lights	1
Heating Element "ON" Indicator Light	Yes
Infinite Heat Controls	Yes

## CAPACITY

Total Capacity (cubic feet)	7.0 cu ft
Capacity (cubic feet)	2.7 Upper / 4.3 Lower

## ACCESSORIES

Trim Kit	Optional; JXFILLR1BB
----------	----------------------

## WEIGHTS & DIMENSIONS

Depth with Door Open	43-7/8 in
Approximate Shipping Weight	267 lb
Net Weight	247 lb
Height to Top of Rear Vent Trim	37-3/8 in
Overall Height	37-3/8 in
Height to Cooking Surface (in.)	36-1/4 +/- 1/4
Overall Width	29-7/8 in
Cabinet Width	30 in
Overall Depth	29-1/2 in
Oven Interior Dimensions (W x H x D) (in.)	24 x 10-1/8 x 19-1/8 - Upper 24 x 15 x 20-5/8 - Upper

# Café™ 30" Slide-In Front Control Radiant and Convection Double Oven Range



CES750P4MW2 / CES750P3MD1

## POWER / RATINGS

Amp Rating at 208V	40
Amp Rating at 240V	40
Convection Wattage	2500W
Bake Wattage	2650W Upper / 2650W Lower
Broiler Wattage	3000W Upper / 3600W Lower
KW Rating at 208V	11.6
KW Rating at 240V	15.5

## WARRANTY

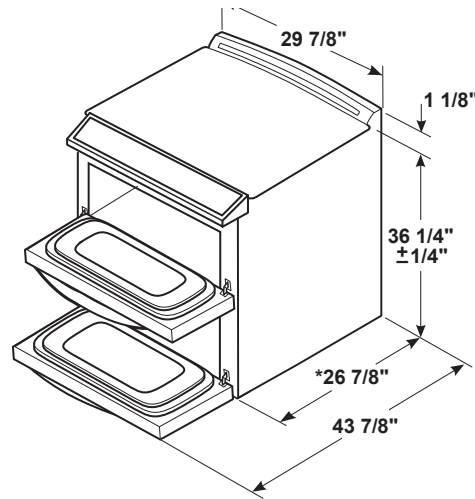
Parts warranty	Limited 1-year entire appliance
Labor warranty	Limited 1-year entire appliance

## DIMENSIONS

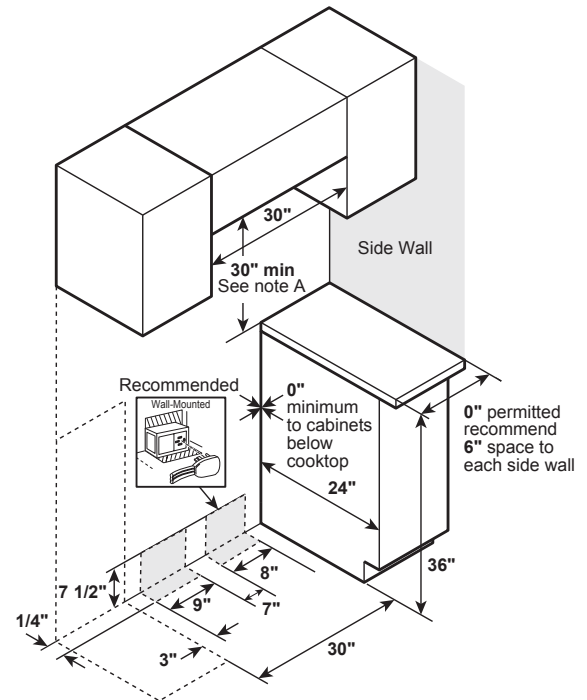
**Receptacle Locations:** Locally approved flexible service cord or conduit must be used because terminals are not accessible after range installation. See shaded area in drawing for location of electrical outlet box. Recommended outlet locations allow range to be installed directly against rear wall.

**Note:** This appliance has been approved for 0" spacing to adjacent surfaces above the cooktop. However, a 6" minimum spacing to surfaces less than 15" above the cooktop and adjacent cabinet is recommended to reduce exposure to steam, grease splatter and heat.

**Installation Information:** Before installing, consult installation instructions for current dimensional data and additional requirements.



\*Depth including door handle is approximately 29-1/2".

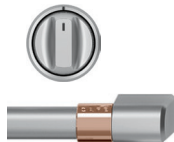


Note A: 30" Minimum to bare cabinet, see installation instructions heights less than 30"

## ADDITIONAL ACCESSORIES



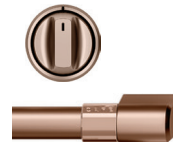
CXFCEHKPMBZ  
Brushed Bronze  
2 handles; 6 knobs  
(Standard on Matte White)



CXFCEHKPMSS  
Brushed Stainless  
2 handles; 6 knobs  
(Standard on Matte Black)



CXFCEHKPMBT  
Brushed Black  
2 handles; 6 knobs



CXFCEHKPMCU  
Brushed Copper  
2 handles; 6 knobs