



# 4.5 cu. ft. Front Load Washer

## MHW5630H



Metallic Slate  
MHW5630HC

### Also available in:

White

**MHW5630HW**

Capacity	
Total	4.5 cu. ft.
General Features & Properties	
Quick Wash Cycle	
Maytag® Commercial Technology	
10-Year Limited Parts Warranty** on the Direct Drive Motor and Stainless Steel Wash Basket	
Internal Heater	
American Pride	
Late Add Feature	
Steam Option	
4.5 cu. ft. Capacity	
Direct Drive Motor	
Electrical Details	
Amps	15 or 20
Volts	120
Certifications	
ADA Compliant	Yes
ENERGY STAR® Certified	Yes

Technical Details	
Drum Material	Stainless Steel
Control Location	Front
Control Type	Knobs
Number of Cycles	10
Washer Cycle Selections	Bulky Items Clean Washer with affresh® Delicates Drain & Spin Heavy Duty Normal Quick Wash Towels Whites Wrinkle Control
Number of Options	9
Washer Option Selections	Delay Wash Extra Power / Boost Option Extra Rinse Steam Clean

Dimensions	
Product Dimensions (H x W x D)	38-5/8" x 27" x 31-5/16"
Depth with Door Open 90°	51-5/16"

### Reference Material

[Install Guide](#)

[Use & Care Guide](#)

[Energy Guide](#)

[Warranty](#)

### Key Features & Benefits

#### Powerful Cleaning

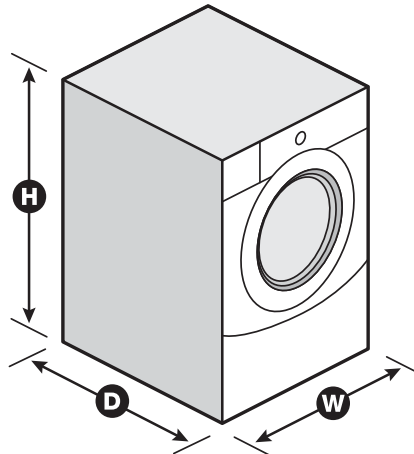
Most Powerful Cleaning in the industry\* driven by the Heavy Duty cycle with Extra Power button.

#### Extra Power Button

Some stains dissolve best in hot water. Others in cold. With the push of a button, Maytag fights both in a single load. The Extra Power button boosts stain-fighting performance on any wash cycle with a dual-temperature wash.

#### 12 Hr Fresh Spin™ Option

Guards against wrinkles when loads can't be moved to the dryer right away, thanks to additional tumbling up to 12 hours after the wash cycle ends.



\*Models with Extra Power option: MHW8630H, MHW6630H, MHW5630H. Based on cleaning score of a 20-lb load, among leading front load brands, Heavy Duty cycle plus Extra Power vs. comparable cycles and options. \*\*Visit maytag.com for warranty details. NOTE: Dimensions are for planning purposes only. For complete details, see Installation Instructions packed with product. Specifications subject to change without notice.