

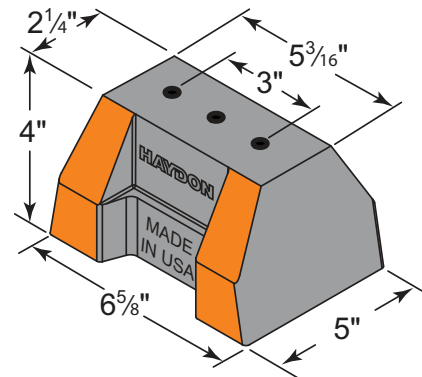
## PIPE SUPPORTS

The 7706 series is designed for single pipe supporting.

### Features:

- Single Pipe Support
- Standard Base Only
- Made from 100% Recycled Rubber
- UV Resistant
- Made in the USA

\*Not recommended for pipe roller series



### Specifications

Catalog Number	Height	Width	Base Length	Weight	Design Load	Safety Factor
FNW7706SB	4"	5"	6-5/8"	2.5	400	2.0

DOC: FNW7706SB Ver. 8/2018

© 2018 - FNW. All right reserved. 972546

The FNW logo is a registered trademark of Ferguson Enterprises, Inc.

The contents of this publication are presented for information purposes only, and while effort has been made to ensure their accuracy, they are not to be construed as warranties or guarantees, expressed or implied, regarding the products or services described herein or their use or applicability. All sales are governed by our terms and conditions, which are available on request. We reserve the right to modify or improve the designs or specifications of our products at any time without notice. Always verify that you have the most recent product specifications or other documentation prior to the installation of these products.