

SPECIFICATIONS

FIGURE 7709

PIPING PRODUCTS



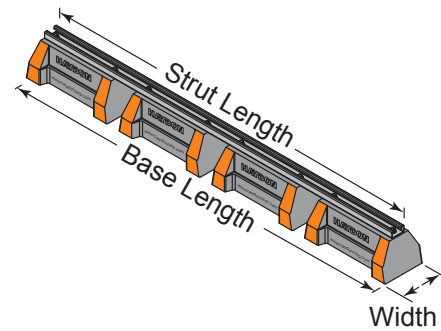
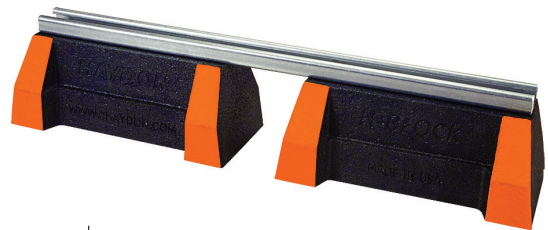
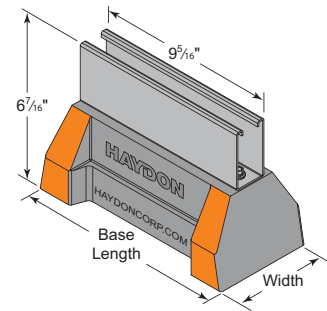
PIPE SUPPORT

The 7709 series is designed to support a variety of applications.

FEATURES

- Single pipe support
- Pre-assembled
- 13/16" Strut channel
- Made from 100% recycled rubber
- UV resistant
- Made in the USA

* Not recommended for pipe roller series



SPECIFICATIONS

Catalog Number	Height	Width	No. of Bases Required	Strut Length	Base Length	Weight lbs	Design Load
FNW770910	6-7/16"	5"	1	9.312"	10-7/8"	6.69	2,500
FNW770924	6-7/16"	5"	2	22.375"	24"	14.13	5,000
FNW770936	6-7/16"	5"	3	34.375"	36"	21.35	7,500
FNW770948	6-7/16"	5"	4	46.375"	48"	28.58	10,000